

**SPICER<sup>®</sup>**



# Commercial Vehicle and Off-Highway Spicer ReadyShaft™ Program

Driveshaft Assemblies  
Next-Day, Ready



When your vehicle is down, Dana is there to meet your need for a fast-turnaround replacement driveshaft solution. Spicer ReadyShaft™ offers the convenience that you demand, providing world-class driveshaft assemblies that are made available within one business day of order and feature warranty coverage. Get your vehicle back on track quickly with a driveshaft built with Genuine Spicer® parts.



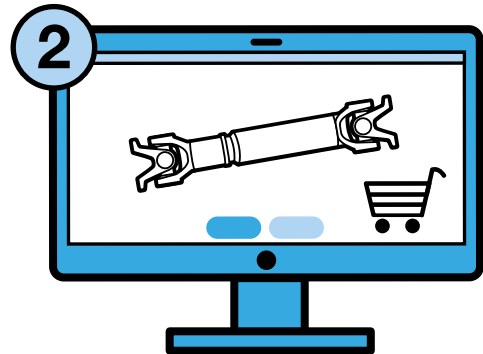
# ReadyShaft™ Next-Day, Ready

Valuable time and money can be lost while awaiting replacement parts after a driveshaft fails. With the Spicer ReadyShaft™ Program, Dana offers pickup by the next business day – so you'll never have to worry about when a driveshaft will arrive. If you need help with ordering, we are here to make the process easy.



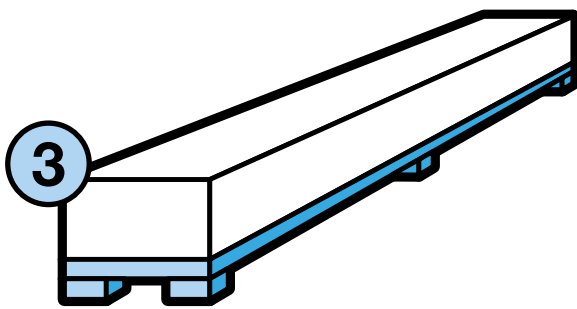
## Search for What You Need

- By reference
- By dimension



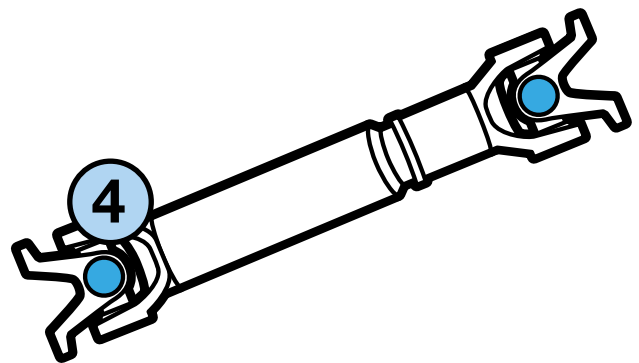
## Order Your Way

- Log onto DanaAftermarket.com
- Call customer operations
- Utilize your API portal



## Already Packed

- For easy shipping
- For easy forwarding
- For storage



## Driveshaft Arrives

- Ready for installation

## Spicer ReadyShaft™ Benefits:

- Convenience of next-day shipment from receipt of order
- Seamless ordering process
- Thousands of parts in program, daily increasing
- Driveshaft built with Genuine Spicer components
- Built to OE specifications
- Eliminates the need for stocking replacement driveshafts
- Sturdy, secure cardboard tube packaging
- Available for many popular driveshaft series including **Compact, Compact Plus, Wing Style** and many more!



For more information on this or any other Spicer driveline products, contact your sales representative or visit [SpicerParts.com](http://SpicerParts.com).

[SpicerParts.com](http://SpicerParts.com)

### Dana Aftermarket Group

Dana Investment GmbH  
Reinzstrasse 3-7  
89233 Neu-Ulm  
Germany

Distribution Center Dana Hungary Gyártó Kft.  
Körtefa street 6.  
9027 Győr  
[danaeuropedc@dana.com](mailto:danaeuropedc@dana.com)

[www.DanaAftermarket.com](http://www.DanaAftermarket.com) / Follow Dana Aftermarket [f](#) [t](#) [@](#) [v](#) [in](#)

© 2022 Dana Limited. All rights reserved

**SPICER**®

