

Ford Performance – Nodular Iron Differential Cover

Date: **October 2019**

To: **All Dana Aftermarket Group Spicer[®] Light Vehicle Axle Customers**

! **IMPORTANT:** Before installing differential cover, inspect and thoroughly clean interior and exterior housing using an appropriate solvent and clean rag.

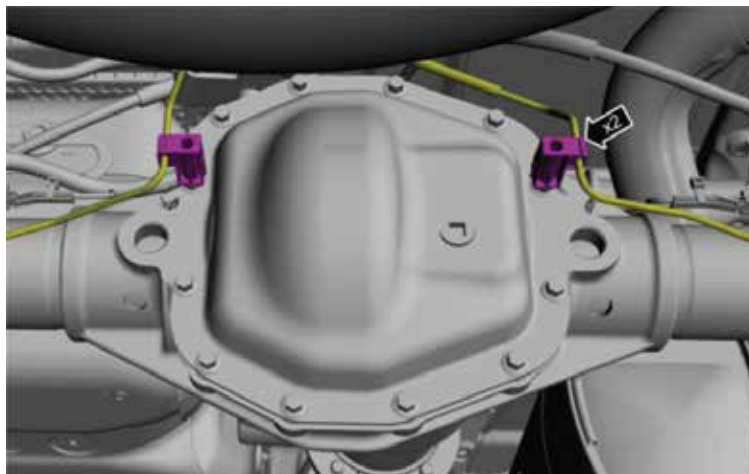
Removal

1. Drain the differential fluid by loosening and then removing the factory drain plug located at the lower front driver side of the housing.



2. Detach the brake line retainers from the differential housing cover stud bolts using a small pry tool to lift them straight off.

NOTE: Take care not to damage brake line retainers, as they will be reinstalled.



Ford Performance – Nodular Iron Differential Cover (cont.)

3. Bolt removal:

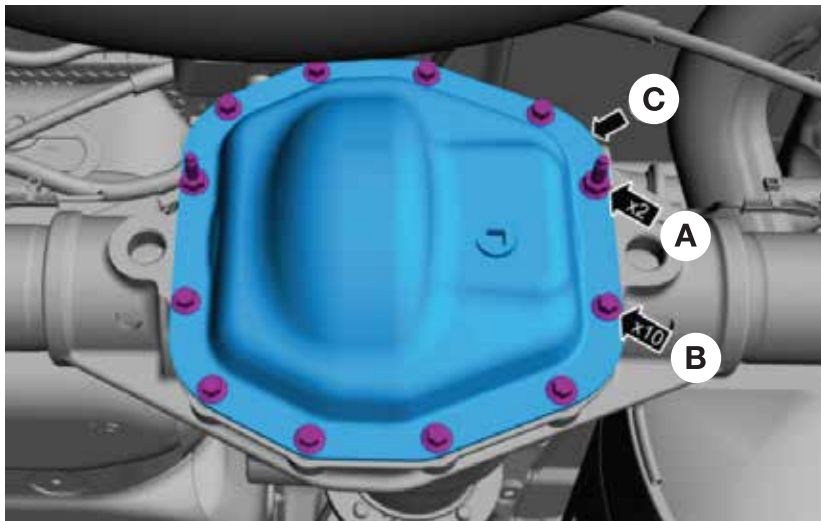
A. Remove the differential housing cover stud bolts (x2) using a deep well 10mm socket.

NOTE: These will be reused when installing the new differential housing cover.

B. Remove the differential housing cover bolts (x10) using a 10mm socket.

NOTE: These will not be reused. New bolts are included with differential cover kit.

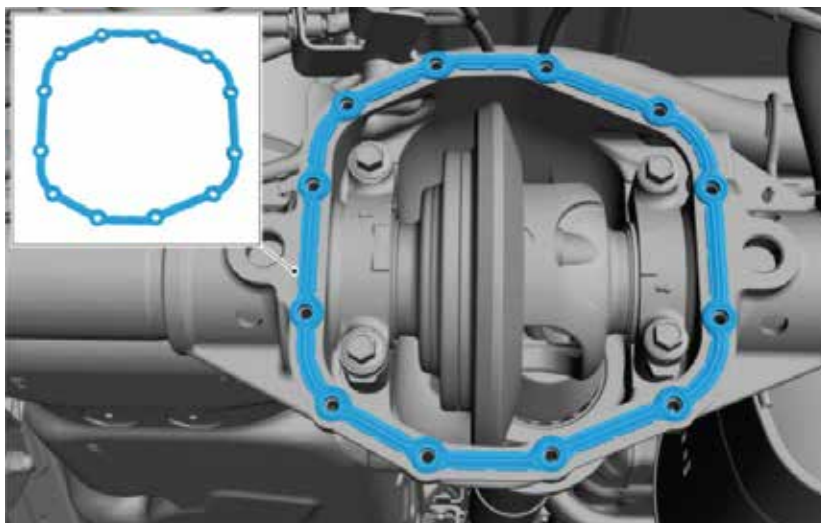
C. Remove the differential housing cover.



4. Remove differential cover gasket; discard after removal.

NOTE: New gasket included with differential cover kit.

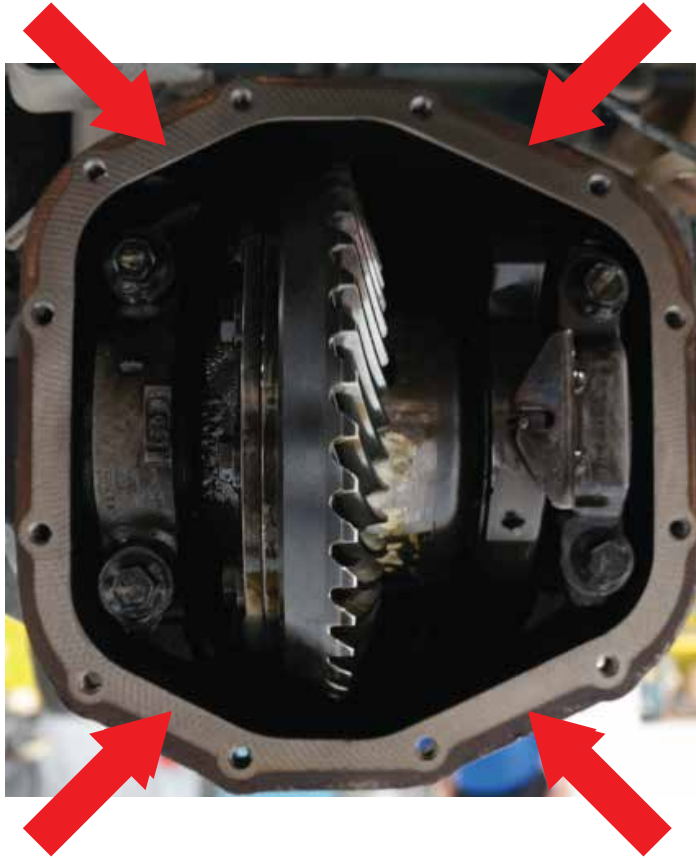
NOTE: Make sure to note the position of the gasket prior to removal.



Ford Performance – Nodular Iron Differential Cover (cont.)

Installation

5. Clean the factory drain plug and apply pipe sealant. Reinstall and tighten drain plug at front, driver's side of housing.



6. Clean the entire gasket mating surface of the axle and the differential housing cover with an appropriate solvent and clean rag.

NOTE: Make sure the gasket mating surface is free of oil or debris before applying new gasket.

NOTE: If rust is present, smooth out any hard edges by scraping away some of the rust.

7. Install differential housing cover and gasket using bolts supplied in the differential housing cover kit (x10) and the brake cable retainer studs (x2).

TORQUE: Tighten both the bolts and brake cable retainers to 20 – 25 lbs. ft. (27 – 34 Nm)

NOTE: Brake cable retainer stud locations can be seen in step #2 above.

8. Tighten the drain plug located at the upper fill plug hole location since this will not be used.

9. Fill differential with approximately 1.5 quarts of axle lubricant through the bottom fill plug hole. Fill until lubricant begins to drain out of the bottom fill plug hole.

NOTE: XY-80W90-QL axle lubricant recommended.

NOTE: Bottom hole matches the OE fill plug location.

IMPORTANT!!! Do not overfill! Too much lubricant can result in oil pushing out the vent hose.

Ford Performance – Nodular Iron Differential Cover (cont.)

10. Tighten lower fill plug hole after differential has been refilled with lubricant to finish the differential housing cover installation.



11. Reinstall the plastic brake cable retainers onto the studs by pressing them onto the two (2) brake cable retainer studs.

If you need additional information, please contact your Dana Aftermarket representative. Thank you for your continued support of Dana Aftermarket products!

[SpicerParts.com/Performance](https://www.SpicerParts.com/Performance)

Dana Aftermarket Group
PO Box 1000 Maumee, Ohio 43537
Warehouse Distributors: 1.800.621.8084
OE Dealers: 1.877.777.5360

Follow SpicerParts [f](#) [t](#) [@](#) [v](#) [in](#)

© 2019 Dana Limited. All rights reserved. Ford PN: M-4033-R / Dana PN: 10154281 Rev A

SPICER[®]

