

THE
ULTIMATE

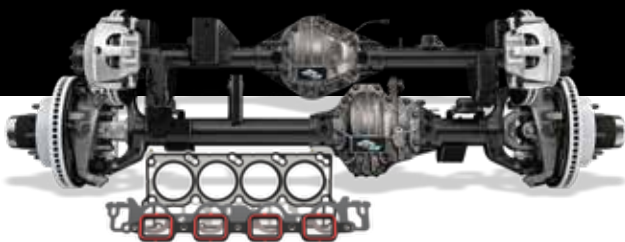


Ultimate Dana 60[®] JL Axles Pass the Ultimate Test

Engineers at Dana upgraded this Jeep[®] Wrangler Rubicon JL with Ultimate Dana 60[®] front and rear axles—the first axles to bear the Ultimate Dana name. Then, they headed out to prove the axles on some of the most grueling testing grounds in the United States, from the Windrock Off-Road Park in Tennessee to the Easter Jeep Safari in Moab, Utah.

Ultimate Dana 60[®] axles are loaded with features that many Jeep enthusiasts choose to implement on their own vehicles, including WARN[®] hub locks, nodular iron diff covers, and more. Our Ultimate Dana 60[®] Jeep follows that lead, with all kinds of modifications throughout, including rock sliders, a lift kit and a winch.

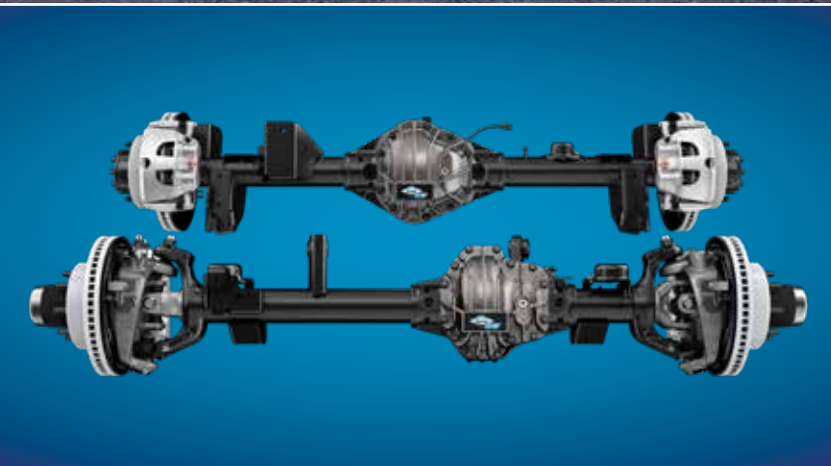
Because creating the best off-roading vehicle possible isn't just our job, it's our passion.



VictorReinz.us or for our e-catalog, DanaAftermarket.com

VICTOR REINZ[®]





Ultimate Dana 60[®] Jeep Wrangler JL[®] Build List

- Victor Reinz[®] differential case gasket
- Victor Reinz[®] intake manifold gasket set
- Victor Reinz[®] intake plenum gasket set
- Victor Reinz[®] fuel injection o-rings
- Victor Reinz[®] cylinder head bolts
- Victor Reinz[®] exhaust pipe gasket
- Ultimate Dana 60[®] front axle with ARB[®] air lockers and 5.38 gears
- Ultimate Dana 60[®] rear axle with ARB[®] air lockers and 5.38 gears
- Spicer[®] 1350 Series front driveshaft kit - **Part # 10097841**
- Spicer[®] 1350 Series rear driveshaft kit - **Part # 10097842**
- ARB[®] on-board high performance 12-volt air compressor with ARB[®] LINX vehicle accessory interface
- ARTEC Industries[®] JL rear inner fenders
- ARTEC Industries[®] JL vented front inner fenders
- Carolina Metal Masters JL A Pillar 1" ball mount
- CRC JL front bumper
- CRC JL rear bumper
- CRC rock sliders
- Currie[®] Anti-Rock[®] front and rear sway bars
- Currie Enterprises[®] Johnny Joint[®] control arms
- Dakota Customs 6.2L "Hellcrate" Hemi engine 8HP70 transmission
- Fox[®] shocks
- Goodyear[®] Wrangler MT/R[®] 40" tires
- KMC[®] 17" beadlock wheels
- Mopar[®] 2" lift kit and coils with Currie[®] control arms
- Rigid Industries[®] D-SS PRO Dually-Side Shooter Professional lights
- Rigid Industries[®] JL light brackets w/ D-SS Series LED blocks
- SPIDERWEBSHADES[®] JL4D mesh top
- Steer Smarts[™] adjustable track bar
- Steer Smarts[™] drag link
- Steer Smarts[™] tie rod
- Warn[®] ZEON[®] 10 winch

All rights reserved. Dana Limited, Dana, Spicer, Ultimate Dana, and Victor Reinz are registered trademarks of Dana Limited. Jeep and Wrangler are registered trademarks of FCA US LLC. The ARB 4x4 Accessories name and logos are trademarks of ARB Corporation limited. ARTEC Industries is a registered trademark of Artec Industries, LLC. Currie AntiRock is a registered trademark of Currie Enterprises, Inc. FOX is a registered trademark of FOX Factory, Inc. Goodyear and MT/R are registered trademarks of The Goodyear Tire & Rubber Company. KMC is a registered trademark of Wheel Pros, LLC. The Mopar logo is a registered trademark of FCA US LLC. R1 Rigid Industries LED Lighting is a registered trademark of Rigid Industries. SPIDERWEBSHADES is a registered trademark of SPIDERWEBSHADES. Steer Smarts is a registered trademark of Steer Smarts. WARN is a trademark of WARN Industries, Inc.

Product information: SpicerParts.com
E-catalog and parts locator: DanaAftermarket.com