

THE
ULTIMATE



Ultimate Dana 60™ JL Axles Pass the Ultimate Test

Engineers at Dana upgraded this Jeep® Wrangler Rubicon JL with Ultimate Dana 60™ front and rear axles – the first axles to bear the Ultimate Dana name. Then, they headed out to prove the axles on some of the most grueling testing grounds in the United States, from the Windrock Off-Road Park in Tennessee to the Easter Jeep Safari in Moab, Utah.

Ultimate Dana 60™ axles are loaded with features that many Jeep enthusiasts choose to implement on their own vehicles, including WARN® hub locks, nodular iron diff covers, and more. Our Ultimate Dana 60™ Jeep follows that lead, with all kinds of modifications throughout, including rock sliders, a lift kit and a winch.

Because creating the best off-roading vehicle possible isn't just our job, it's our passion.



SPICER®

[SpicerParts.com/BuildList](https://www.SpicerParts.com/BuildList) or for our e-catalog, [DanaAftermarket.com](https://www.DanaAftermarket.com)

#SpicerParts

© 2019 Dana Limited. All rights reserved.

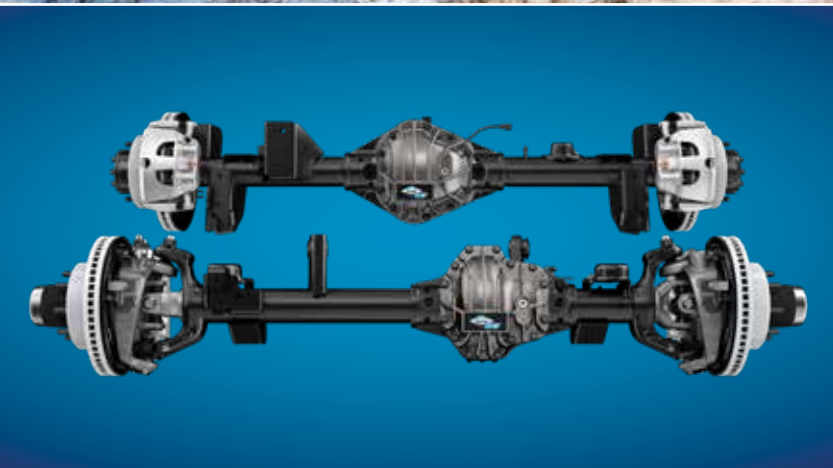




THE
ULTIMATE
DANA
60™

Ultimate Dana 60™ Jeep® Wrangler JL Build List

- Ultimate Dana 60™ Jeep JL Front Axle with ARB air locker, 5.38 Ratio
- Ultimate Dana 60™ Jeep JL Rear Axle with ARB air locker, 5.38 Ratio
- Spicer® Nodular Iron Performance Diff Covers
- ARB® Fridge Freezer
- ARB® On-Board 12 Volt Air Compressor
- ARB® LINX Vehicle Accessory Interface
- ARTEC Industries® JL Front Inner Fenders - Vented
- ARTEC Industries® JL Rear Inner Fenders
- BFGoodrich® Krawler™ T/A® KX 40x14.50R17/C Tires
- Carolina Metal Masters® JL A Pillar 1" Ball Mount Solution
- CRC Rock Sliders
- CRC JL Front Bumper
- CRC JL Rear Bumper
- Currie Enterprises® AntiRock® JL Front Sway Bar Kit
- Currie Enterprises® AntiRock® JL Rear Sway Bar Kit
- Currie Enterprises® Tie Rod
- Currie Enterprises® Johnny Joint® Control Arms (Billet Aluminum)
- Mopar® Jeep Wrangler JL / JLU High-Top Fender Flares
- Mopar® 2 in. Lift Kit w/ Fox Shocks
- RIGID Industries® JL Light Brackets w/ D-SS Series LED Blocks
- RIGID Industries® D-SS PRO, Dually-Side Shooter PROfessional Race Output LED pods
- Rock Krawler® Front Adjustable Track Bar
- SPIDERWEBSHADES® JL4D Mesh Top
- Walker Evans Racing® 17" Beadlock Wheels
- WARN® ZEON® 10-S Winch



Spicer® Nodular Iron
 Differential Cover



Copyright Dana Limited, 2018. All rights reserved. Dana Limited, Dana and Ultimate Dana are registered trademarks of Dana Limited. Jeep and Wrangler are registered trademarks of FCA US LLC. The ARB 4x4 Accessories name and logos are trademarks of ARB Corporation limited. BFGoodrich, Krawler and T/A are trademarks and copyrights of Michelin North America, Inc. Currie AntiRock is a registered trademark of Currie Enterprises, Inc. The Mopar logo is a registered trademark of FCA US LLC. RI Rigid Industries LED Lighting is a registered trademark of Rigid Industries. Walker Evans Racing is a trademark of Walker Evans Enterprises Incorporated. WARN is a trademark of WARN Industries, Inc.

Product information: SpicerParts.com
 E-catalog and parts locator: DanaAftermarket.com