

SPICER®



LAXIP-0002-52022
May 2022

Illustrated Parts List

Genuine Spicer® Light Axle Parts 2021 and Newer Ford® Bronco®

M190, M210, M220



Product Information: [SpicerParts.com](https://www.SpicerParts.com) | E-Catalog and parts locator: [DanaAftermarket.com](https://www.DanaAftermarket.com)

SEARCH



LOCATE



ORDER



TRACK



SIMPLIFIED.



DanaAftermarket.com

SPICER[®]



It's never been easier to do business with Dana.

You've spoken. We've listened. Easily access the genuine Spicer parts information you need to succeed. Search by part number, product type, product line, keywords, and year-make-model. Place and track your orders. It's all here to help streamline your operations and grow your business. Experience the new one-stop solution from Spicer today!



AFTERMARKET

PERFORMANCE



Proud sponsor of the Bronco Off-Roadeo.

Exclusively from Dana Performance Axle Technology for the Ford® Bronco®



Upgraded Axles for Unmatched Performance

Dana has been an integral part of the iconic Bronco since the beginning, with every generation of Bronco riding on robust Dana axles. Today, Broncos roll off the assembly line ready to take on almost anything with Dana 44™ or Dana 35™ AdvanTEK® Front-Drive Unit axles and Dana 44™ AdvanTEK® rear solid axles. And if you're ready to make the ultimate upgrade for extreme off-roading, choose the unrivaled Ultimate Dana 44™ AdvanTEK® Front-Drive Unit axle or the Ultimate Dana 60® Semi-Float Axle. On the highway or off-road, you can trust Dana axles to support and enhance the tough, capable Bronco.



Dana 35™ AdvanTEK® and Dana 44™ AdvanTEK® Front-Drive Unit Axles

Front-Drive Unit (FDU) axles from Dana feature a clamshell design to minimize packaging space and allow for a 4.70 maximum gear ratio. A plug-in half shaft connection provides ease of assembly and service, and an aluminum tube offers reduced weight. AdvanTEK® technology delivers strength and power.



Original Equipment



Dana 44™ AdvanTEK® Rear Axle

AdvanTEK® axles offer excellent efficiency and durability. The semi-float wheel end features a strong, lightweight design with a tapered roller wheel bearing. You get best-in-class noise, vibration, and harshness (NVH) performance with greater power density: a wider face-width creates a stronger gear in a smaller package.



Only genuine Spicer® AdvanTEK® ring and pinion gears give Bronco enthusiasts the ability to handle even the most extreme off-road conditions. The Spicer gearing used in today's Dana 44™ AdvanTEK® axles have a smaller, more durable 220mm ring gear.



The Ultimate Dana 44™ AdvanTEK® Front-Drive Unit Axle Technology

Built with Dana-designed center housing that accommodates deeper gear ratios, this axle delivers improved strength for off-road performance with 32-spline differential side gears and a solid axle tube. It's fully loaded and ready to install right out of the crate, saving you money—and getting you out on the trail quicker.

THE
ULTIMATE
Front-Drive Unit




Aftermarket Upgrades



THE
ULTIMATE
Semi-Float Axle


The Ultimate Dana 60™ Semi-Float Rear Axle Technology

For a direct-fit solution, Dana now offers the Ultimate Dana 60™ Semi-Float Axle. Upgrade from a stock semi-float and get all the benefits of the celebrated Ultimate Dana 60™ axle—like Spicer® chromoly steel axle shafts, a nodular iron diff cover, heavy-duty brackets, and more—while reusing your existing wheels.

For more information on these and other Bronco driveline products, please visit SpicerParts.com/Bronco.

EXTREME

Spicer Extreme™ Half Shafts

Gain a significant increase in strength and performance with the material upgrades and design improvements featured on Spicer Extreme™ half shafts. The high-quality coating provides superior corrosion protection and a clean look, and precision engineering makes installation a breeze.



Proud sponsor of the Bronco Off-Roaders.

THIS AIN'T OUR FIRST RODEO...

Just as the Ford® Bronco® is a leader among trucks, Dana is the leader in OE and aftermarket auto parts manufacturers. Rugged, dependable Dana axles have been there through the decades as the Bronco earned awards and a loyal customer following.

1971-1977 Generation I Ford Bronco



Front: Dana 44™

- Wheelbase: 104.1"
- Length: 109.2"
- Width: 70.5"
- Height: 13.4"

* Dana 44™ Axle with Associated Parts, Michigan



1966-1970 Generation I Ford Bronco



Front: Dana 30™

- Wheelbase: 88.2"
- Length: 93.3"
- Width: 66.5"
- Height: 11.4"

* Dana 30™ Axle with Associated Parts, Michigan

1980-1986 Generation III Ford Bronco



Front: Dana 44™ TTB*

- Wheelbase: 104"
- Length: 109.2"
- Width: 70.5"
- Height: 13.4"

* Associated Parts, Michigan



1978-1979 Generation II Ford Bronco



Front: Dana 44™

- Wheelbase: 104"
- Length: 109.2"
- Width: 70.5"
- Height: 13.4"

* Dana 44™ Axle with Associated Parts, Michigan

1987-1991 Generation IV Ford Bronco



Front: Dana 44™ TTB*

- Wheelbase: 104.2"
- Length: 109.2"
- Width: 70.5"
- Height: 13.4"

* Associated Parts, Michigan



1992-1996 Generation V Ford Bronco



Front: Dana 44™ TTB*

- Wheelbase: 104.2"
- Length: 109.2"
- Width: 70.5"
- Height: 13.4"

* Associated Parts, Michigan



TODAY



Front:  **35™**
AdvanTEK™
Front-Drive Unit

 **44™**
AdvanTEK™
Front-Drive Unit

Rear:  **44™**
AdvanTEK™

Front: Dana 35™ AdvanTEK® FDU**/Dana 44™ AdvanTEK® FDU**
Rear: Dana 44™ AdvanTEK®

* Twin-Traction Beam (TTB) is an independent suspension system for front drive axles in four-wheel drive Ford F-Series trucks and sport utility vehicles.
** Front-Drive Unit (FDU) is an independent suspension system for front drive axles in four-wheel drive Ford sport utility vehicles.

Bronco is a registered trademark of the Ford Motor Company.



Aftermarket

Safety Information



WARNING

FAILURE TO FOLLOW THESE INSTRUCTIONS COULD AFFECT VEHICLE PERFORMANCE AND/OR SAFETY AND RESULT IN PERSONAL INJURY OR DEATH.

Do not convert or alter Spicer axles except in accordance with vehicle manufacturer's instructions.

- Spicer axles are designed to meet OEM vehicle manufacturer's design and performance specifications.
- Improper conversion or alteration of these axles can damage the axles and/or other vehicle systems.
- Contact the OEM manufacturer for specific directions and guidelines.

Do not change axle gear ratios on vehicles with anti-lock braking systems except in accordance with the vehicle manufacturer's instructions.

- Vehicles with anti-lock braking systems may utilize sensors and tone rings within the axle housings to ensure the functioning of the anti-lock brakes.
- Improperly changing the axle ratios may defeat the anti-lock braking system.
- If changing axle ratios will require changing the location of the tone ring on the ring gear flange relative to the location of the sensor in the axle housing, contact the OEM manufacturer for specific directions and guidelines.

Do not reuse or substitute ring gear bolts.

- If you reuse a ring gear bolt or substitute an inferior quality bolt, the bolt may loosen or back out of its threaded hole, causing severe damage to the axle gears and other components and possibly resulting in a sudden "locking up" of the axle and loss of control of the vehicle.
- Always use new bolts specifically recommended for the application and install bolts using proper tools and torquing to the proper specifications.



CAUTION

DO NOT SUBSTITUTE PARTS NOT OF SPICER QUALITY.

- Spicer axles are designed for each model vehicle, and manufactured and tested for safety and best performance. Replacement parts from other manufacturers may not be made to Spicer's rigid quality standards. To be sure you're getting Spicer quality, always use genuine Spicer parts.



THIS SYMBOL WARNS OF POSSIBLE PERSONAL INJURY.

How To Use This Catalog 8
General Information..... 9
Dana M190 Axle 10-11
Dana M210 Axle 12-13
Dana M220 Axle 14-16
Part Number Index 17

How To Use This Catalog

This catalog contains applications and part listings for front and rear axles that fit Ford Bronco vehicles from model years 2021 and newer.

PARTS LISTING AND EXPLODED VIEW

- This section contains an exploded view of the axle and lists all the part numbers for those parts illustrated.
- The parts that do not have a common part number have a footnote reference indicating where to find the correct part number for each Bill of Material.

DANA SAMPLE: PART LISTING

Item	Part #	Description	Notes
1	N/A	FDU Housing	Contact Vehicle Manufacturer
2	(1)	Differential Case Assembly and Gear Set	Welded Ring Gear Assembly
-	10267425	Differential Rebuild Kit (Standard Install)	Inc. 3, 7, 8, 10, 12, 13 (Does not include Pinion Oil Seal)
-	10267426	Differential Rebuild Kit (Master Overhaul)	Inc. 3, 7, 8, 9, 10, 11, 12, 13, 14 (Does not include Pinion Oil Seal)
-	70-31414-10	Reinzosil RTV Sealant	Included in Differential Rebuild Kits

BILL OF MATERIAL TABLE

- This section contains vehicle applications listed in order by year.
- Included in the table are the major kits and assemblies for each Bill of Material number.

DANA SAMPLE: BILL OF MATERIALS

BOM	Axle		Axle Kits				
	Diff Type	Ratio	Diff Case Assembly and Gear Set	Ring and Pinion Gearset	Diff Case Assembly	Standard Install Kit	Master Overhaul Kit
10149850	Open/Std	3.73	10127702	(4)	(4)	10267425	10267426
10149852	Open/Std	4.27	10130627	(4)	(4)	10267425	10267426
10103908	Open/Std	4.46	10130628	(4)	(4)	10267425	10267426

VARIABLE PARTS TABLE

- This section contains the individual part numbers that vary by Bill of Material number for a given model.

DANA SAMPLE: VARIABLE PARTS

Item	Description	Bill of Material			
		10149850	10103908	10149852	10141660
2	Differential Case Assembly and Gear Set	10127702	10130628	10130627	10130628
19, 24	Axle Tube Assembly	(3)	(3)	(3)	(3)
21, 26	Intermediate Shaft	(3)	(3)	(3)	(3)
22	Intermediate Shaft Retainer Clip (Qty: 2)	-	-	2011108	2011108
23	Intermediate Shaft Splinned Collar	-	-	10098901	10098901

Note:

Additional information on Spicer axles can be found in our General Information catalog number XGI.

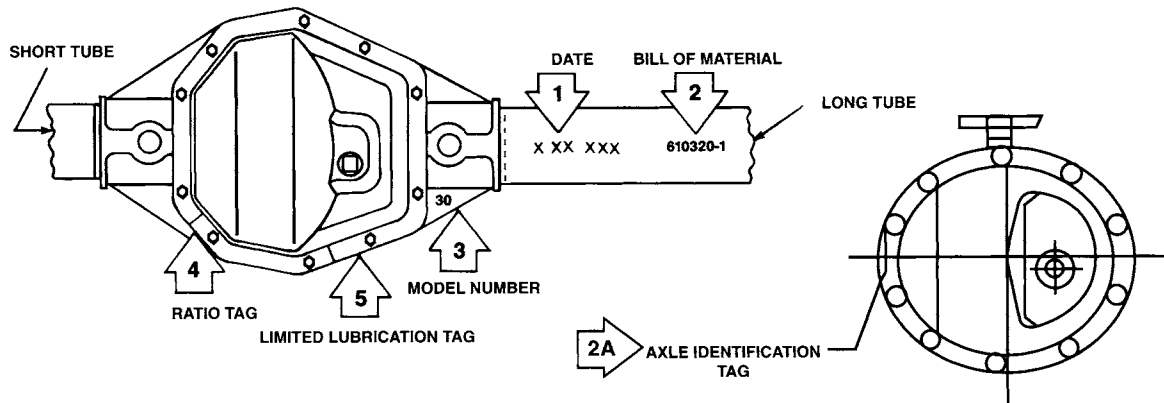
THE XGI CATALOG CONTAINS THE FOLLOWING SECTIONS:

- Bill of Material Numerical Listing
- Ring and Pinion Kits
- Differential Case Assembly Kits
- Axle Shaft Dimension and Components

General Information

HOW TO IDENTIFY A SPICER AXLE

- All Spicer Carrier Type axles are identified with a manufacturing date (1) and Bill of Material number (2) stamped on the right or left hand tube on driving axles.
- The Bill of Material (BOM) number may also be found on the carrier in some models as shown in illustration (2A).
- For independent front suspension (IFS) axles, the BOM number may be located at one of three locations:
 - 1) A vertically-positioned tag near the center of the right hand side support arm
 - 2) Stamped into the left hand side support arm (opposite end of the camber adjuster)
 - 3) Stamped into the "nose end" of the axle carrier
 The location of the information will depend on the manufacturing date of the axle.
- The axle model number will be cast into one of the webs as shown (3), or it can be on the nose.
- Each axle contains a gear ratio tag (4), and if the axle is equipped with a limited slip differential, it will have a tag specifying the type of limited slip lubricant to be used (5).
- Refer to the appropriate model number section for parts identification and a breakdown of the Bill of Material.



HOW TO CHANGE GEAR RATIOS

- To increase or decrease a gear ratio, there are certain steps that must be taken.
- The differential case depends upon the ratio desired.
- For each axle model, there is a high-ratio and a low-ratio case as illustrated on the below:

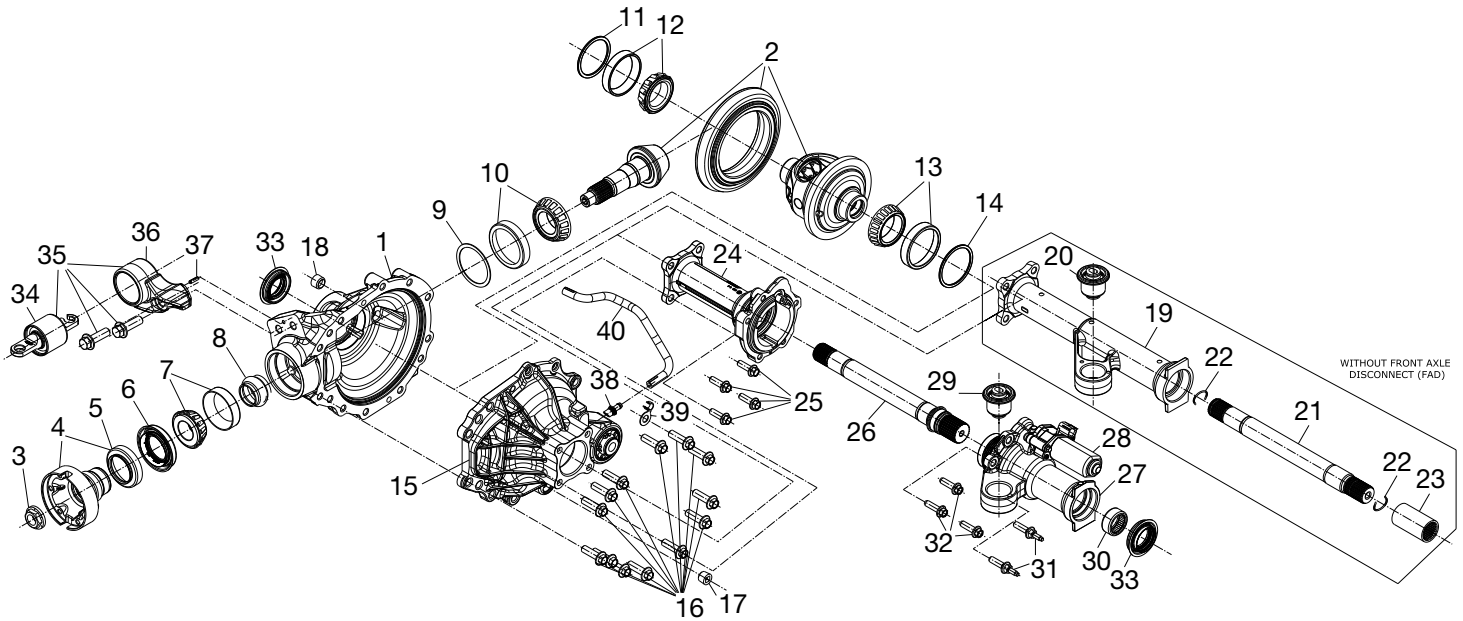
Axle Model	Low-Ratio Case	High-Ratio Case
Model 27	3.73 and Down	3.92 and Up
Model 28	3.45 and Down	3.73 and Up
Model 28 IFS Aerostar	2.27, 3.73	—
Model 30	3.55 and Down	3.73 and Up
Model 35	2.35 only	—
Model 35	2.73 - 3.31	3.54 and Up
Model 36 ICA	2.73 and Down	3.07 and Up
Model 44	3.73 and Down	3.92 and Up
Model 44 ICA (1984 and earlier)	3.73 and Down	3.92 and Up

Axle Model	Low-Ratio Case	High-Ratio Case
Model 44 ICA (1985 and later)	2.87 and Down	3.07 and Up
Model 50	4.10 and Down	—
Model 60	4.10 and Down	4.56 and Up
Model 61 Semi-Float	3.00 and 3.07 only	—
Model 61 Full-Float	3.31 and Down	3.54 and Up
Model 70	4.10 and Down	4.56 and Up
Model 70-3HD	3.42 and Down	3.73 and Up
Model 70-2UA	3.07 only	—
Model 80	3.73 and Down	4.10 and Up

EXAMPLE

- If you have a model 44 rear axle with a 3.54 ratio and wish to change to a 3.73 ratio, you change only the ring gear and pinion assembly.
- If you change the ratio to a 4.09, you must change to a high-ratio case in addition to changing the ring gear and pinion.
- The application section will show you what case to use.
- When the vehicle is equipped with both front and rear driving axles, the gear ratios must be the same in both axles.
- The drive gear screws are self-locking and must be replaced with new screws each time they are removed.

DANA M190 AXLE / DANA 35™ ADVANTEK® FDU



DANA M190 AXLE: BILL OF MATERIALS

BOM	Axle		Axle Kits				
	Diff Type	Ratio	Diff Case Assembly and Gear Set	Ring and Pinion Gearset	Diff Case Assembly	Standard Install Kit	Master Overhaul Kit
10149850	Open/Std	3.73	10127702	(4)	(4)	10267425	10267426
10149852	Open/Std	4.27	10130627	(4)	(4)	10267425	10267426
10103908	Open/Std	4.46	10130628	(4)	(4)	10267425	10267426
10141660	Open/Std	4.46	10130628	(4)	(4)	10267425	10267426

(1) See "Bill of Material Table," (2) See "Variable Parts Table," (3) Contact Vehicle Manufacturer, (4) Not Sold Separately

DANA M190 AXLE: VARIABLE PARTS

Item	Description	Bill of Material			
		10149850	10103908	10149852	10141660
2	Differential Case Assembly and Gear Set	10127702	10130628	10130627	10130628
19, 24	Axle Tube Assembly	(3)	(3)	(3)	(3)
21, 26	Intermediate Shaft	(3)	(3)	(3)	(3)
22	Intermediate Shaft Retainer Clip (Qty: 2)	-	-	2011108	2011108
23	Intermediate Shaft Splined Collar	-	-	10098901	10098901
27	FAD Housing	(3)	(3)	-	-
28	FAD Motor Assembly	(3)	(3)	-	-
31	FAD Mounting Stud (Qty: 2)	10109533	10109533	-	-
32	FAD Mounting Bolt (Qty: 3)	10103910	10103910	-	-

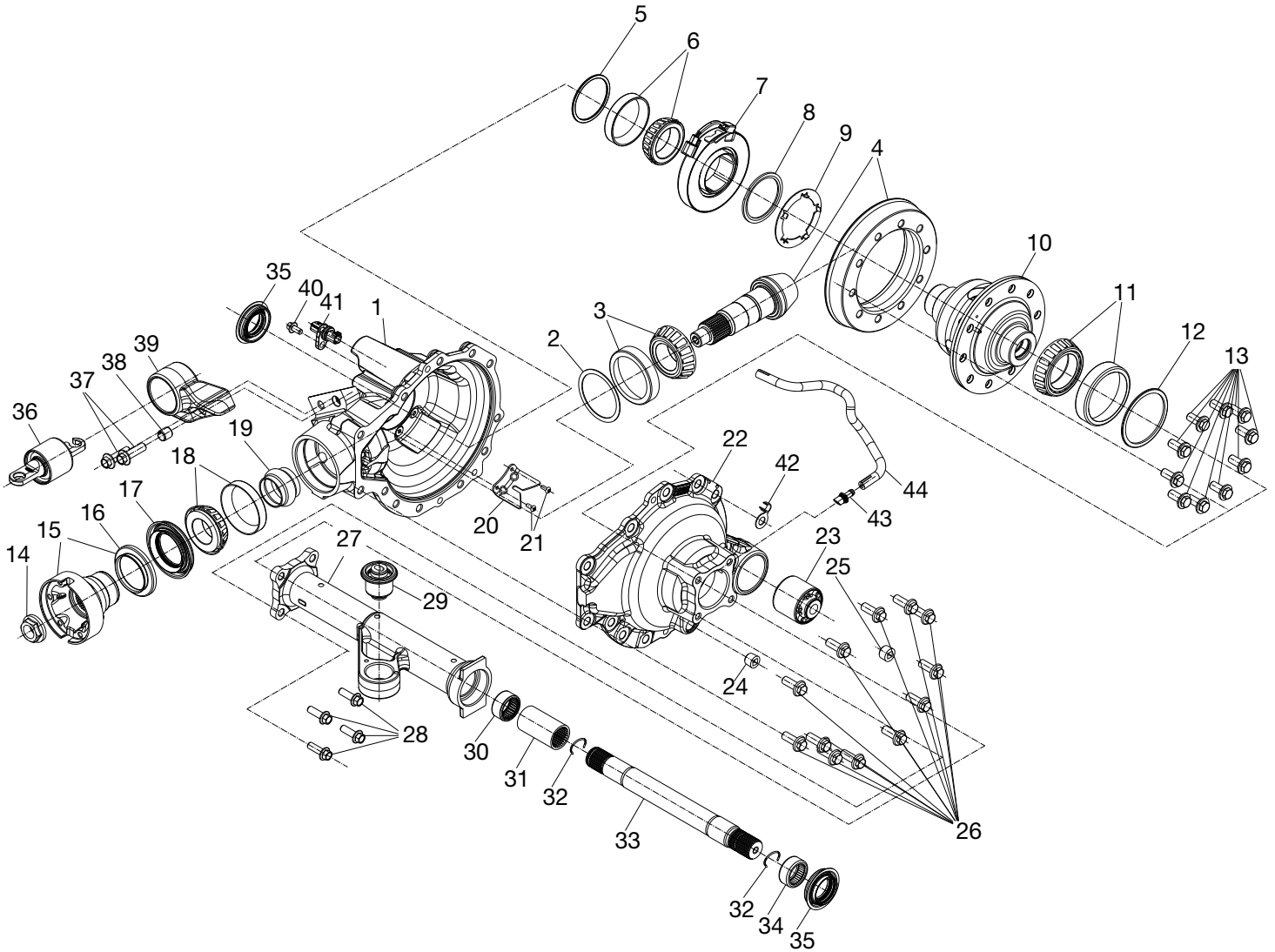
(1) See "Bill of Material Table," (2) See "Variable Parts Table," (3) Contact Vehicle Manufacturer, (4) Not Sold Separately

DANA M190 AXLE: PART LISTING

Item	Part #	Description	Notes
1	(3)	FDU Housing	
2	(1)	Differential Case Assembly and Gear Set	Welded Ring Gear Assembly
-	10267425	Differential Rebuild Kit (Standard Install)	Inc. 3, 7, 8, 10, 12, 13 (Does not include Pinion Oil Seal)
-	10267426	Differential Rebuild Kit (Master Overhaul)	Inc. 3, 7, 8, 9, 10, 11, 12, 13, 14 (Does not include Pinion Oil Seal)
-	70-31414-10	Reinzosil RTV Sealant	Included in Differential Rebuild Kits
-	10141401	Gear Marking Compound and Brush Kit	Included in Differential Rebuild Kits
3	2009624	Differential Pinion Gear Nut	
4	10130902	Differential Pinion Flange Assembly	
5	10032791	Differential Pinion Oil Deflector (Slinger)	
6	(3)	Differential Pinion Oil Seal	
7	10275972	Differential Pinion Bearing (Tail)	
8	2008720	Differential Crush Sleeve (Pinion Bearing Collapsible Spacer)	
9	10040465	Differential Pinion Bearing Shim Kit	
10	10124834	Differential Pinion Bearing (Head)	
-	10040466	Differential Carrier Bearing Shim Kit	Inc. 11 and 14
11	(4)	Differential Carrier Bearing Shim Kit (Flange Side)	
12	10275975	Differential Carrier Bearing (Flange Side)	
13	10184895	Differential Carrier Bearing (Button Side)	
14	(4)	Differential Carrier Bearing Shim Kit (Button Side)	
15	(3)	FDU Cover	
16	55192-4	FDU Housing Bolt Set	Requires Qty: 1
17	2001762	Differential Drain Plug	
18	43180-5	Differential Carrier Fill Plug	
19	(2)	Axle Tube Assembly	
20	10101510	Axle Shaft Housing Bushing	
21	(2)	Intermediate Shaft	
22	(2)	Intermediate Shaft Retainer Clip	Requires Qty: 2
23	(2)	Intermediate Shaft Splinned Collar	
24	2)	Axle Tube Assembly	
25	54827-5	Axle Shaft Housing Bolt	Requires Qty: 4
26	(2)	Intermediate Shaft	
27	(2)	FAD Housing	
28	(2)	FAD Motor Assembly	
29	10101510	Axle Shaft Housing Bushing	
30	566111	Intermediate Shaft Bearing	
31	(2)	FAD Mounting Stud	Requires Qty: 2
32	(2)	FAD Mounting Bolt	Requires Qty: 3
33	(3)	Axle Shaft Oil Seal	Requires Qty: 2
34	(3)	FDU Housing Bushing	
35	(3)	FDU Housing Bracket Assembly	
36	(3)	FDU Housing Bracket	
37	(3)	FDU Housing Bracket Alignment Pin	
38	10118694	Axle Vent Fitting	
39	(3)	Axle Vent Hose Clip	
40	(3)	Axle Vent Hose	

(1) See "Bill of Material Table," (2) See "Variable Parts Table," (3) Contact Vehicle Manufacturer, (4) Not Sold Separately

DANA M210 / DANA 44™ ADVANTEK® FDU



DANA M210 AXLE: BILL OF MATERIALS

Axle						
BOM	Diff Type	Ratio	Ring and Pinion Gearset	Diff Case Assembly	Standard Install Kit	Master Overhaul Kit
10139180	ELD	4.27	10104510	10157367	10267427	10267428
10139181	ELD	4.46	10099466	10157367	10267427	10267428
10139182	ELD	4.70	10099471	10157367	10267427	10267428

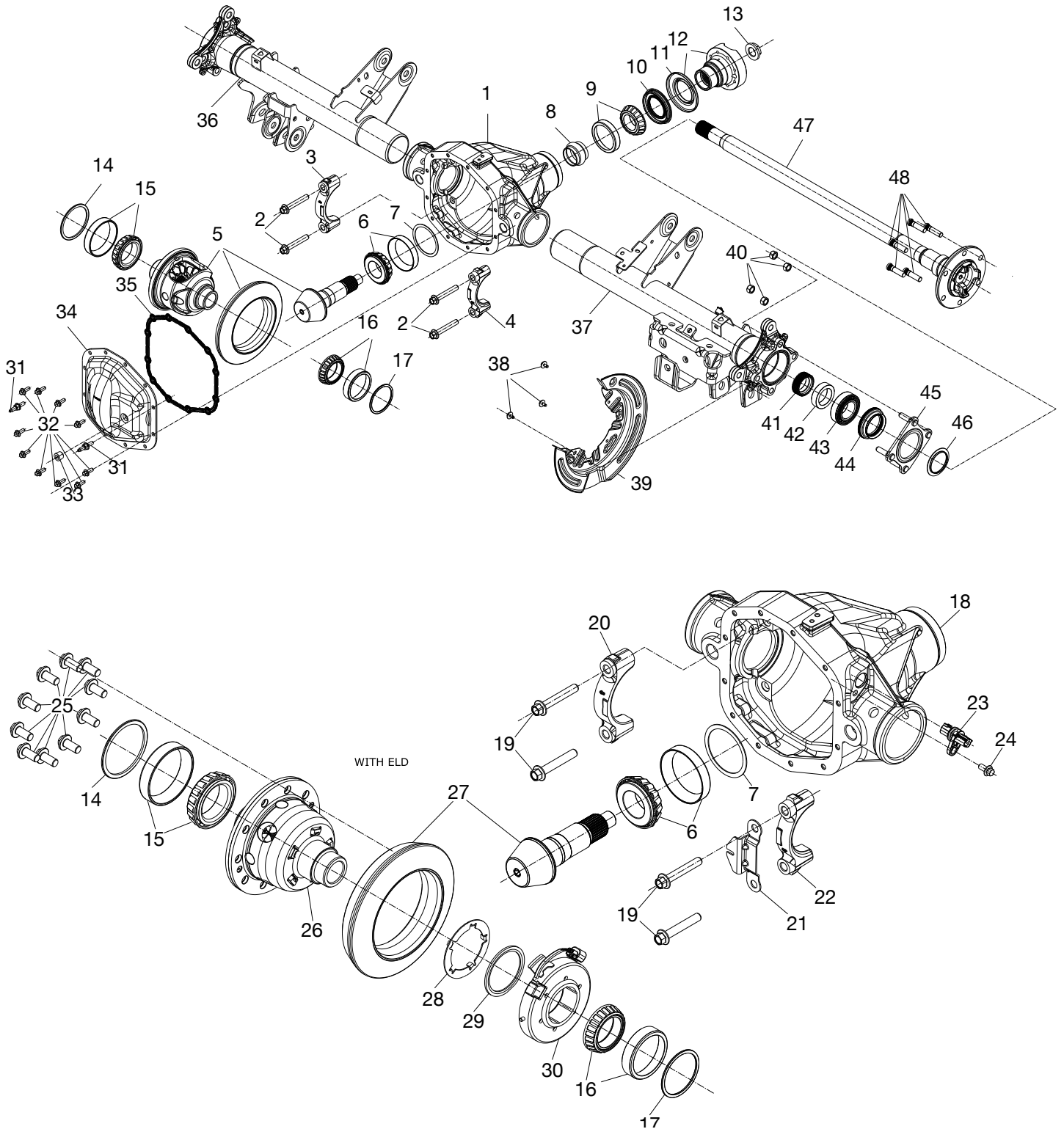
(1) See "Bill of Material Table," (2) See "Variable Parts Table," (3) Contact Vehicle Manufacturer, (4) Not Sold Separately

DANA M210 AXLE: PART LISTING

Item	Part #	Description	Notes
1	(3)	FDU Housing	
-	10267427	Differential Rebuild Kit (Standard Install)	Inc. 3, 6, 11, 14, 18, 19 (Does not include Pinion Oil Seal)
-	10267428	Differential Rebuild Kit (Master Overhaul)	Inc. 2, 3, 5, 6, 11, 12, 13, 14, 18, 19 (Does not include Pinion Oil Seal)
-	70-31414-10	Reinzosil RTV Sealant	Included in Differential Rebuild Kits
-	10141401	Gear Marking Compound and Brush Kit	Included in Differential Rebuild Kits
2	10040475	Differential Pinion Bearing Shim Kit	
3	10003987	Differential Pinion Bearing (Head)	
4	(1)	Differential Ring and Pinion Gearset	
-	10040476	Differential Carrier Bearing Shim Kit	Inc. 5 and 12
5	(4)	Differential Carrier Bearing Shim Kit (Flange Side)	
6	10184895	Differential Carrier Bearing (Flange Side)	
7	10137577	Differential ELD Solenoid	
8	10038787	Differential Solenoid Spacer	
9	10143206	Differential Solenoid Plate	
10	10157367	Differential Case Assembly	
11	10184893	Differential Carrier Bearing (Button Side)	
12	(4)	Differential Carrier Bearing Shim Kit (Button Side)	
13	10040464	Differential Ring Gear Bolt Set	Requires Qty: 1
14	2009625	Differential Pinion Gear Nut	
15	10082425	Differential Pinion Flange Assembly	
16	2017760	Differential Pinion Oil Deflector (Slinger)	
17	(3)	Differential Pinion Seal	
18	10124834	Differential Pinion Bearing (Tail)	
19	10064757	Differential Crush Sleeve (Pinion Bearing Collapsible Spacer)	
20	10156834	ELD Anti-Rotation Bracket	
21	2003359-3	ELD Anti-Rotation Bracket Bolt Set	Requires Qty: 1
22	(3)	FDU Cover	
23	(3)	FDU Cover Bushing	
24	2001762	Differential Drain Plug (Magnetic)	
25	43180-5	Differential Carrier Fill Plug	
26	55192-2	FDU Housing Bolt	Requires Qty: 12
27	(3)	Axle Tube Assembly	
28	54827-5	Axle Shaft Housing Bolt	Requires Qty: 4
29	10101510	Axle Shaft Housing Bushing	
30	10112736	Intermediate Shaft Bearing (Inner)	
31	10098901	Intermediate Shaft Splined Collar	
32	2011108	Intermediate Shaft Retainer Clip	Requires Qty: 2
33	(3)	Intermediate Shaft	
34	566111	Intermediate Shaft Bearing (Outer)	
35	(3)	Axle Shaft Oil Seal	Requires Qty: 2
36	(3)	FDU Housing Bushing	
37	55192-4	FDU Mounting Bracket Bolt	Requires Qty: 2
38	2010330	FDU Mounting Bracket Bolt Spacer	
39	(3)	FDU Housing Bracket	
40	10039789	ELD Electrical Connector Bracket Bolt	
41	2023094	ELD Electrical Connector	
42	(3)	Axle Vent Hose Clip	
43	10118694	Axle Vent Fitting	
44	(3)	Axle Vent Hose	

(1) See "Bill of Material Table," (2) See "Variable Parts Table," (3) Contact Vehicle Manufacturer, (4) Not Sold Separately

DANA M220 AXLE / DANA 44™ ADVANTEK®



WITH ELD

DANA M220 AXLE: PART LISTING

Item	Part #	Description	Notes
1	(2)	Differential Carrier	
2	(4)	Differential Carrier Bearing Cap Bolt	Requires Qty: 4
3	(4)	Differential Carrier Bearing Cap	
4	(4)	Differential Carrier Bearing Cap	
5	(1)	Differential Case Assembly and Gear Set	Welded Ring Gear Assembly
-	10267429	Differential Rebuild Kit (Standard Install)	Inc. 6, 8, 9, 10, 13, 15, 16
-	10267430	Differential Rebuild Kit (Master Overhaul)	Inc. 6, 7, 8, 9, 10, 13, 14, 15, 16, 17, 25
-	70-31414-10	Reinzosil RTV Sealant	Included in Differential Rebuild Kits
-	10141401	Gear Marking Compound and Brush Kit	Included in Differential Rebuild Kits
6	10003987	Differential Pinion Bearing (Head)	
7	10040475	Differential Pinion Bearing Shim Kit	
8	10064757	Differential Crush Sleeve	(Pinion Bearing Collapsible Spacer)
9	10124834	Differential Pinion Bearing (Tail)	
10	10039487	Differential Pinion Oil Seal	
11	10050141	Differential Pinion Oil Deflector (Slinger)	
12	10215032	Differential Pinion Flange Assembly	
13	2009625	Differential Pinion Gear Nut	
-	10040476	Differential Carrier Bearing Shim Kit	Inc. 14 and 17
14	(4)	Differential Carrier Bearing Shim Kit (Button Side)	
15	10184893	Differential Carrier Bearing (Button Side)	
16	10275976	Differential Carrier Bearing (Flange Side)	
17	(4)	Differential Carrier Bearing Shim Kit (Flange Side)	
18	(2)	Differential Carrier	
19	(4)	Differential Carrier Bearing Cap Bolt	Requires Qty: 4
20	(4)	Differential Carrier Bearing Cap	
21	(2)	ELD Anti-Rotation Bracket	
22	(4)	Differential Carrier Bearing Cap	
23	(2)	ELD Electrical Connector	
24	(2)	ELD Electrical Connector Bolt	
25	(2)	Differential Ring Gear Bolt	Requires Qty: 10
26	(1)	Differential Case Assembly	
27	(1)	Differential Ring & Pinion Gearset	
28	(2)	Differential Solenoid Plate	
29	(2)	Differential Solenoid Spacer	
30	(2)	ELD Solenoid	
31	10049804	Differential Cover Stud	Requires Qty: 2
32	10050881	Differential Cover Bolt	Requires Qty: 10
33	2001762	Differential Drain Plug	
34	(3)	Differential Cover	
35	10058069	Differential Cover Gasket	
36	(4)	Axle Tube Assembly	
37	(4)	Axle Tube Assembly	
38	10176806	Dust Shield Mounting Kit	Requires Qty: 1 per wheel end
39	(3)	Brake Dust Shield	
40	2004922	Axle Shaft Seal Retainer Nut	Requires Qty: 4 per wheel end
41	10032377	ABS Wheel Speed Sensor Tone Ring	
42	10052556	Axle Shaft Bearing Retainer	
43	10087279	Axle Shaft Bearing	
44	10026762	Axle Shaft Seal	
45	10034573	Axle Shaft Seal Retainer Assembly	
46	2007852	Axle Shaft Oil Slinger	
47	(2)	Axle Shaft	
48	10011092	Wheel Stud Set	Requires Qty: 1

(1) See "Bill of Material Table," (2) See "Variable Parts Table," (3) Contact Vehicle Manufacturer, (4) Not Sold Separately

DANA M220 AXLE: BILL OF MATERIALS

BOM	Axle		Axle Kits				
	Diff Type	Ratio	Diff Case Assembly and Gear Set	Ring and Pinion Gearset	Diff Case Assembly	Standard Install Kit	Master Overhaul Kit
10098621	Open/Std	3.73	10150417	(4)	(4)	10267429	10267430
10098625	Open/Std	4.46	10150418	(4)	(4)	10267429	10267430
10098624	ELD	4.27	-	10145085	10039946	10267429	10267430
10098626	ELD	4.46	-	10145092	10039946	10267429	10267430
10098627	ELD	4.70	-	10145106	10039946	10267429	10267430

(1) See "Bill of Material Table," (2) See "Variable Parts Table," (3) Contact Vehicle Manufacturer, (4) Not Sold Separately

DANA M220 AXLE: VARIABLE PARTS

Item	Description	Bill of Material				
		10098621	10098625	10098624	10098626	10098627
1	Differential Carrier	(3)	(3)	(3)	(3)	(3)
21	ELD Anti-Rotation Bracket	-	-	10119617	10119617	10119617
23	ELD Electrical Connector	-	-	2023094	2023094	2023094
24	ELD Electrical Connector Bolt	-	-	2012347-1	2012347-1	2012347-1
25	Differential Ring Gear Bolt	-	-	10008806	10008806	10008806
26	Differential Case Assembly	-	-	10039946	10039946	10039946
28	Differential Solenoid Plate	-	-	10143206	10143206	10143206
29	Differential Solenoid Spacer	-	-	10038787	10038787	10038787
30	ELD Solenoid	-	-	10102021	10102021	10102021
47	Axle Shaft	(3)	(3)	(3)	(3)	(3)

(1) See "Bill of Material Table," (2) See "Variable Parts Table," (3) Contact Vehicle Manufacturer, (4) Not Sold Separately

43180-5.....	11,13	10099466.....	12	10215032.....	15
54827-5.....	11,13	10099471.....	12	10267425.....	10,11
55192-2.....	13	10101510.....	11,13	10267426.....	10,11
55192-4.....	11,13	10102021.....	16	10267427.....	12,13
566111.....	11,13	10103908.....	10	10267428.....	12,13
10003987.....	13,15	10103910.....	10	10267429.....	15,16
10008806.....	16	10104510.....	12	10267430.....	15,16
10011092.....	15	10109533.....	10	10275972.....	11
10026762.....	15	10112736.....	13	10275975.....	11
10032377.....	15	10118694.....	11,13	10275976.....	15
10032791.....	11	10119617.....	16	2001762.....	11,13,15
10034573.....	15	10124834.....	11,13,15	2003359-3.....	13
10038787.....	13,16	10127702.....	10	2004922.....	15
10039487.....	15	10130627.....	10	2007852.....	15
10039789.....	13	10130628.....	10	2008720.....	11
10039946.....	16	10130902.....	11	2009624.....	11
10040464.....	13	10137577.....	13	2009625.....	13,15
10040465.....	11	10139180.....	12	2010330.....	13
10040466.....	11	10139181.....	12	2011108.....	10,13
10040475.....	13,15	10139182.....	12	2012347-1.....	16
10040476.....	13,15	10141401.....	11,13,15	2017760.....	13
10049804.....	15	10141660.....	10	2023094.....	13,16
10050141.....	15	10143206.....	13,16	70-31414-10.....	11,13,15
10050881.....	15	10145085.....	16		
10052556.....	15	10145092.....	16		
10058069.....	15	10145106.....	16		
10064757.....	13,15	10149850.....	10		
10082425.....	13	10149852.....	10		
10087279.....	15	10150417.....	16		
10098621.....	16	10150418.....	16		
10098624.....	16	10156834.....	13		
10098625.....	16	10157367.....	12,13		
10098626.....	16	10176806.....	15		
10098627.....	16	10184893.....	13,15		
10098901.....	10,13	10184895.....	11,13		

Product Information: [SpicerParts.com](https://www.SpicerParts.com) | E-Catalog and parts locator: [DanaAftermarket.com](https://www.DanaAftermarket.com)

[SpicerParts.com/Bronco](https://www.SpicerParts.com/Bronco)

Dana Aftermarket Group
PO Box 1000 Maumee, Ohio 43537
Warehouse Distributors: 1.800.621.8084
OE Dealers: 1.877.777.5360

Follow SpicerParts [f](#) [t](#) [@](#) [v](#)

© 2022 Dana Limited. All rights reserved. LAXIP-0002-52022

SPICER[®]

