

# SPICER®



K350-3-DAG  
January 2019

Product Catalog

Supersedes K350-2-DAG  
Released December 2017

## Passenger Cars and Trucks Universal Joint Kits and Center Bearings



**Tested. Proven. Trusted. Driven.**  
Our most comprehensive listing of Spicer® universal joint kits and center bearings for passenger cars and trucks.



# SPICER®



Spicer Life® Series (SPL®) U-Joints: Premium Performance for Your Vehicle.



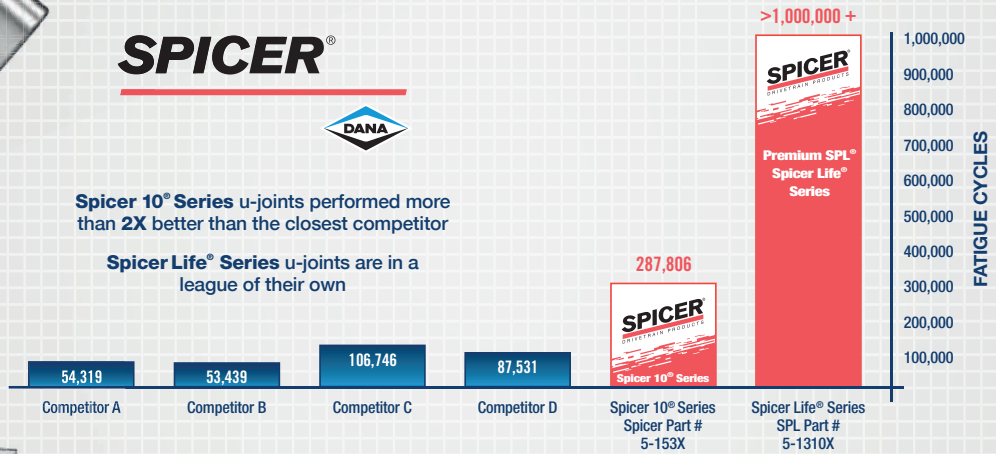
## FATIGUE TESTING: 1310 SERIES U-JOINTS

### SPICER®



Spicer 10® Series u-joints performed more than 2X better than the closest competitor

Spicer Life® Series u-joints are in a league of their own



U-JOINT KIT TEST RESULTS • AVERAGE CYCLES TO FAILURE – BASED ON SAMPLES TESTED IN 2017

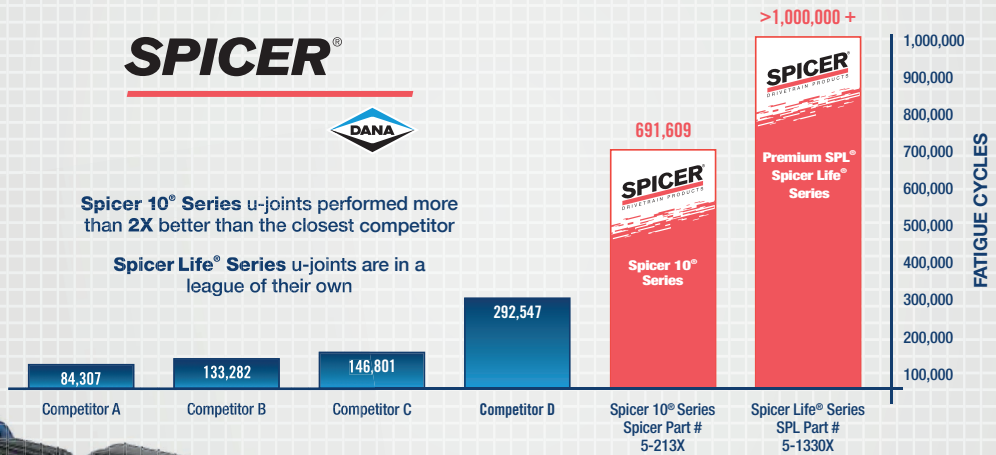
## FATIGUE TESTING: 1330 SERIES U-JOINTS

### SPICER®



Spicer 10® Series u-joints performed more than 2X better than the closest competitor

Spicer Life® Series u-joints are in a league of their own



U-JOINT KIT TEST RESULTS • AVERAGE CYCLES TO FAILURE – BASED ON SAMPLES TESTED IN 2017



Spicer 10® Series U-Joints: Superior Quality for Longer Life.

# Tested and Proven. Spicer® U-Joints Outperform the Competition!

You can trust Spicer Life® Series (SPL®) and Spicer 10® Series u-joints to provide optimal performance. Test results below show how Spicer u-joints outperform the competition.

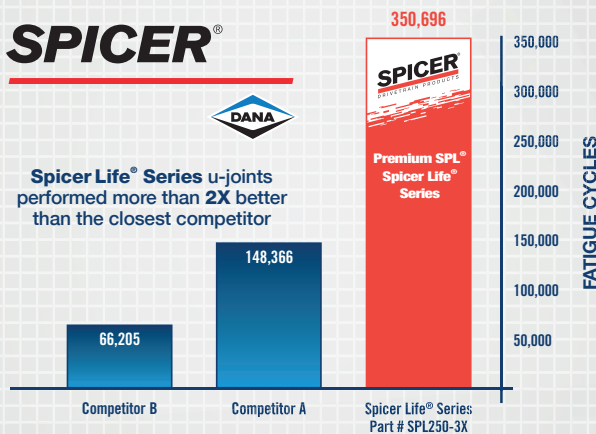
**Demand the best.... Demand genuine Spicer® u-joints!**

## FATIGUE TESTING: SPL250 SERIES U-JOINTS

### SPICER®



Spicer Life® Series u-joints performed more than **2X** better than the closest competitor



U-JOINT KIT TEST RESULTS • AVERAGE CYCLES TO FAILURE – BASED ON SAMPLES TESTED



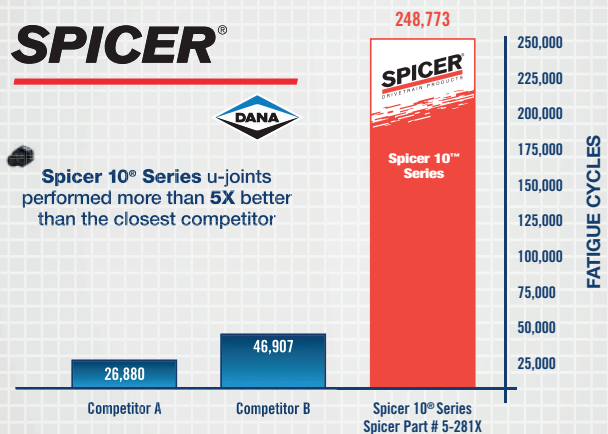
**Spicer Life® Series (SPL®) U-Joints:**  
With premium Viton®\* multi-lip sealing package for ultimate protection from contaminants and extreme temperatures.

## FATIGUE TESTING: 1810 SERIES U-JOINTS

### SPICER®



Spicer 10® Series u-joints performed more than **5X** better than the closest competitor



U-JOINT KIT TEST RESULTS • AVERAGE CYCLES TO FAILURE – BASED ON SAMPLES TESTED

**Spicer® 1810 Series U-Joints:**  
Not just better—5x better than the competition in fatigue testing!



# Tested. Proven. Trusted. Driven.

For more information on Spicer products, visit [www.SpicerParts.com](http://www.SpicerParts.com). For our e-catalog and parts locator, visit [www.DanaAftermarket.com](http://www.DanaAftermarket.com).



# COMPREHENSIVE



# CONVENIENT



# INTUITIVE



# FAST



# EASY.



[DanaAftermarket.com](http://DanaAftermarket.com)

**SPICER<sup>®</sup>**



**It's never been easier to do business with Dana.**

You've spoken. We've listened. Easily access the genuine Spicer parts information you need to succeed. Search by part number, product type, product line, keywords, and year-make-model. Place and track your orders. It's all here to help streamline your operations and grow your business.

Experience the new one-stop solution from Spicer today!

Safety Messages and General Information .....	1	Eagle	
Yoke and Universal Joint Measuring .....	2	2000 GTX.....	18
Spicer Life Series Performance Universal Joint Kits.....	4	Summit, Talon .....	18
<b>Passenger Applications</b>		Fiat	
<b>Alfa Romeo</b>		1100, 124, 131, 1500 .....	18
1900, 1900C, 2000, 2600, Berlina, Duetto 1600.....	8	<b>Ford</b>	
Giulia, Giulia Spirit, Giulietta, GT Veloce, GTA, GTC .....	8	Anglia, Consul, Cortina .....	18
GTV, GTZ, Montreal, Spider, Sport, Sprint, TZ, TZ2 .....	8	Country Sedan, Country Squire.....	18
<b>American Motors</b>		Crestline, Crown Victoria, Custom, Custom 300 .....	19
Ambassador, American, Classic, Concord .....	8	Custom 500 Customline, Deluxe, Elite, Fairlane .....	20
Eagle, Marlin, Pacer, Rambler, Spirit .....	9	Fairmont, Falcon, Galaxie .....	21
<b>Aston Martin</b>		Galaxie 500, Granada.....	22
DB5, DB6 .....	9	LTD, LTD Crown Victoria, LTD II, Mainline .....	23
<b>Austin</b>		Maverick, Mustang.....	23
America, Marina.....	9	Pinto, Thunderbird.....	25
<b>Austin Healey</b>		Torino, Zephyr, Zodiac .....	26
Sprite .....	9	<b>Hillman</b>	
<b>Bentley</b>		Husky, Minx .....	26
Continental, S2 Series, S3 Series .....	10	<b>Hyundai</b>	
<b>Buick</b>		Pony, Stellar .....	26
Apollo, Century, Commercial Chassis, Electra .....	10	<b>Jaguar</b>	
Estate Wagon, LeSabre, Regal, Riviera.....	10	2.4 .....	26
Roadmaster, Skyhawk, Skylark, Special.....	10	240, 3.4, 3.8, 340, 420 .....	27
Wildcat .....	11	C-Type, D-Type, Mark IX, Mark VII, Mark VIII, Mark X.....	28
<b>Cadillac</b>		V12, Vanden Plas, XJ, XJ12, XJ6.....	28
Brougham, Commercial Chassis, DeVille .....	11	XJS, XK120, XK140, XK150, XKE, XKSS .....	29
Eldorado, Fleetwood, Series 61 .....	12	<b>Jensen</b>	
Series 62, Series 75 Fleetwood .....	12	541, 541R, 541S, C-V8, Interceptor .....	29
<b>Checker</b>		<b>Lagonda</b>	
Aerobus, Marathon, Taxicab .....	12	Rapide .....	29
<b>Chevrolet</b>		<b>Lincoln</b>	
Bel Air, Camaro, Caprice .....	13	Capri, Continental.....	30
Chevelle, Chevette, Chevy II.....	14	Cosmopolitan, Lincoln, Mark Series, Premier, Town Car .....	30
Corvair, Corvette, Impala, Laguna .....	14	Versailles .....	31
Malibu, Monte Carlo, Monza, Nova, Vega .....	15	<b>Lotus</b>	
<b>Chrysler</b>		Elan, Elite .....	31
300, Conquest, Cordoba, Fifth Avenue, Imperial .....	15	<b>Maserati</b>	
LeBaron, New Yorker, Newport, Saratoga, Windsor.....	16	3500GT, 3500GTI, A6G/2000, Ghibli, Mexico, Sebring .....	31
<b>Daimler</b>		<b>Mazda</b>	
250, DK400, SP250.....	16	1200, 616, 618, 626, 808 .....	32
<b>Dodge</b>		GLC, Mizer, R100, RX-2, RX-3, RX-7 .....	32
Aspen, Challenger, Charger, Colt.....	16	<b>Mercury</b>	
Conquest, Coronet, Dart, Diplomat.....	17	Bobcat, Capri, Comet, Cougar.....	32
Magnum, Monaco, Royal Monaco, Viper .....	17	Custom, Grand Marquis.....	33

Mercury (continued)  
 Marauder, Marquis, Meteor .....34  
 Monarch, Montego .....34  
 Monterey, Zephyr .....35  
**MG**  
 1100, 1300, Magnette, MGA, MGB, MGC .....35  
 Midget, TC, TD, TDC, TF, YA, YB, YT, ZA, ZB .....35  
**Mitsubishi**  
 Starion .....35  
**Morris**  
 Minor, Oxford .....36  
**Nissan**  
 1000, 1200, 1300, 1600, 2000, 240Z, 260Z, 280Z .....36  
 411, 510, 610, 710, 810, B110, Maxima .....36  
**Oldsmobile**  
 88, 98 .....36  
 Custom Cruiser, Cutlass Series .....37  
 Delta 88, Deluxe 88, F85, Fiesta, Jetfire, Omega .....38  
 Series 98, Starfire, Vista Cruiser .....38  
**Opel**  
 Caravan, Opel .....39  
**Plymouth**  
 Arrow, Barracuda, Belvedere .....39  
 Conquest, Cricket, Duster, Fury .....40  
 Fury I, Fury II, Fury III, Gran Fury, GTX, Roadrunner .....40  
 Sapporo, Satellite, Suburban, Valiant, Volare .....40  
**Pontiac**  
 Acadian, Astre, Bonneville .....40  
 Catalina Chieftain, Executive, Firebird, Grand Am .....41  
 Grand LeMans, Firebird, Grand Am .....41  
 Grand Prix, Grandville .....42  
 GTO, LeMans, Safari, Star Chief .....42  
 Streamliner, Sunbird, Tempest, Torpedo .....42  
**Rolls Royce**  
 Camargue, Corniche, Phantom .....42  
 Silver Cloud, Silver Dawn, Silver Shadow .....42  
 Silver Shadow II, Silver Wraith, Silver Wraith II .....42  
**Rover**  
 2000, 3500S .....42  
**Simca**  
 1000, 1000S .....42  
 5, Ariane, Aronde, Vedette .....43  
**SRT**  
 Viper .....43  
**Subaru**  
 DL, GL, Legacy .....43

**Sunbeam**  
 Alpine, Imp, Rapier, Tiger .....43  
**Toyota**  
 Carina, Celica, Corolla, Corona, Cressida .....43  
 Crown, Mark II, Starlet, Supra .....43  
**Triumph**  
 2000, GT6, Herald, Spitfire, Stag, TR2, TR250 .....44  
 TR3, TR3A, TR3B, TR4, TR4A, TR6, TR7, TR8 .....44  
**Vauxhall**  
 Fourteen, Ten, Twelve, Velox, Victor, Wyvern .....44  
**Volvo**  
 122, 142, 144, 145, 164, 1800, 240 .....44  
 242, 244, 245, 262, 264, 265, 740, 745, 760, 780 .....45  
 940, 960, DL .....46

**RWD Applications**

**Buick**  
 Rainier .....48  
**Cadillac**  
 Escalade, Escalade ESV .....48  
**Chevrolet**  
 3C, 3D, 3E, 3F .....48  
 3G, Astro, Avalanche, Avalanche 1500 .....49  
 Avalanche 2500, B7, Blazer, C10 Series .....49  
 C1500 Series .....52  
 C20 Series .....54  
 C2500 Series, C30 Series .....56  
 C3500, C60 Kodiak, C6500 Kodiak, C70 Kodiak .....57  
 C7500 Kodiak, Colorado .....57  
 El Camino, Express 1500, Express 2500 .....58  
 Express 3500 .....60  
 Express 4500, G10 .....64  
 G10 Van, G20 .....65  
 G20 Van, G30 .....66  
 G30 Van, LLV, LUV, Luv Pickup, P10 Series .....67  
 P20 Series .....68  
 P30 Series .....69  
 R10 Series, R1500 Series, R20 Series, R2500 Series .....72  
 R30, R3500, S10 Series .....72  
 Silverado 1500 Series .....73  
 Silverado 2500 Series .....74  
 Silverado 3500 Series .....76  
 SSR, Suburban 1500, Suburban 2500 .....76  
 T6500, T7500, Tahoe .....76  
 Tracker, Trailblazer Series .....77

Chrysler	
Aspen .....	77
Dodge	
A100 Series, B100 Series, B150.....	77
B1500, B200 Series, B250, B2500, B300 Series.....	78
B350, B3500, CB300, D100 Series .....	78
D150, D200 Series, D250, D300 Series .....	79
D350, D50, Dakota, Durango.....	80
MB300, P200 Series, Ram 1500 Series.....	80
Ram 2500 Series .....	82
Ram 3500 Series .....	84
Ram 4500, 50, 5500, Ramcharger, RD200 .....	86
Ford	
Aerostar .....	86
Bronco, Courier, E-100 Series.....	87
E-150 Series.....	88
E-200 Series, E-250 Series .....	90
E-300 Series, E-350 Series .....	91
E-450 Series, E-550 Series, Econoline Super Duty .....	96
Excursion, Expedition .....	97
Explorer Series, F Super Duty, F-100 .....	98
F-150.....	99
F-150 Heritage.....	101
F-250.....	102
F-250 Super Duty, F-350.....	109
F-350 Super Duty .....	113
F-450 Super Duty, F-500, F53, F-550 Super Duty.....	114
F59, F700, M-400, M-450, P-100, P-400, P-500.....	114
Ranchero, Ranger .....	114
Transit-150, Transit-250, Transit-350 Series.....	115
Geo	
Tracker .....	116
GMC	
1000 Series, 100-24, 150, 1500 Series.....	116
150-22, 150-24, B7, C15 Series .....	116
C15/C1500 Series.....	117
C1500.....	117
C1500 Suburban.....	120
C25 Series, C2500 Series.....	121
C35.....	122
C35/C3500 Pickup, C3500 .....	123
C4500 Topkick, C5500 Topkick, C6000 Topkick.....	124
C6500 Topkick, C7000 Topkick, C7500 Topkick.....	124
Caballero, Canyon .....	124
GMC (continued)	
Envoy Series .....	125
G15, G15/1500 Van, G1500, G25, G2500.....	126
G35.....	127
G35/G3500 Van, G3500, Jimmy, P1000, P15 .....	128
P15/P1500 Van, P1500, P25, P25/P2500 Van, P2500 ...	129
P35, P35/P3500 Van, P3500 .....	130
R1500 Series, R2500 Series, R3500.....	131
S15 Series, Safari .....	131
Savana 1500, Savana 2500 .....	132
Savana 3500.....	132
Savana 4500, Sierra 1500 Series .....	138
Sierra 2500 Series .....	140
Sierra 3500 Series .....	144
Sonoma, Sprint, T6500, T7500, Yukon Series.....	146
Honda	
Passport.....	147
Infiniti	
QX4, QX56 .....	147
International	
1000A, 1000B, 1000C, 1000D, 1200A, 1200B.....	147
1200C, 1200D.....	147
1210, 900A, M1200, M1400, Scout, Scout II.....	148
Isuzu	
Amigo, Ascender, Axiom, Hombre, i-280, i-290, Pickup....	148
Rodeo Series, Trooper .....	149
Jeep	
Cherokee, Comanche, Commando, Gladiator .....	149
Grand Cherokee .....	149
Jeepster, Liberty, Wagoneer.....	150
Kia	
Sportage .....	150
Lincoln	
Aviator, Blackwood, Mark LT, Navigator.....	150
Mazda	
B1600, B1800.....	150
B2000, B2200, B2300, B2500, B2600 .....	151
B3000, B4000, Navajo .....	151
Mercury	
Mountaineer.....	151
Mitsubishi	
Mighty Max .....	151
Montero Sport, Outlander, Raider, Van.....	152

Nissan		Chevrolet (continued)	
520 Pickup, 521 Pickup, 620, 620 Pickup .....	152	V1500 Suburban, 20 Series, V2500 Suburban .....	178
Armada, D21, Frontier .....	152	V30, V3500 .....	179
NV1500, NV2500, NV3500, Pathfinder .....	152	Chrysler	
Pathfinder Armada, Patrol, Pickup .....	153	Aspen .....	180
Titan, Titan XD, Xterra.....	153	Daihatsu	
Oldsmobile		Rocky.....	180
Bravada .....	153	Dodge	
Plymouth		D50, Dakota, Durango .....	180
Arrow Pickup .....	153	Power Ram 50, Raider, Ram 1500 .....	181
PB100, PB100 Van, PB150, PB200, PB250, PB300 .....	153	Ram 2500.....	182
PB300 Van, PB350, Trailduster .....	154	Ram 3500.....	184
Ram		Ram 4500, Ram 50, Ram 5500 .....	188
1500, 2500, 3500 .....	154	Ramcharger, W100 Series .....	188
4500.....	156	W150.....	189
5500, Dakota .....	157	W200 Series .....	190
Suzuki		W250.....	191
Equator, Grand Vitara, Sidekick, Vitara, XL-7 .....	157	W300 Series .....	192
Toyota		W350.....	193
4Runner, FJ Cruiser, Pickup, Previa .....	158	WmPower Wagon.....	194
Sequoia, T100, Tacoma .....	158	Ford	
Tundra, Van .....	159	Aerostar, Bronco.....	194
<b>4WD Applications</b>		Bronco II, Escape, Excursion.....	196
Acura		Expedition .....	197
SLX.....	160	Explorer Series, F-100.....	198
AM General		F-150.....	199
Hummer.....	160	F-150 Heritage.....	202
Buick		F-250.....	202
Rainier .....	160	F-250 Super Duty .....	209
Cadillac		F-350.....	211
Escalade Series.....	160	F-350 Super Duty .....	215
Chevrolet		F-450 Super Duty .....	224
Astro, Avalance Series.....	160	F-550 Super Duty .....	225
Blazer .....	161	Ranger .....	226
Colorado, Equinox, Express 1500, K10 Series .....	162	Geo	
K1500 Series .....	164	Tracker .....	227
K20 Series .....	167	GMC	
K2500 Series .....	169	C4500 Topkick .....	227
K30, K3500.....	170	C4500, C5500 Topkick, Canyon, Envoy Series, Jimmy .....	228
K5 Blazer, LUV, S10, S10 Blazer.....	172	K15 Series .....	229
Silverado 1500 Series .....	173	K15/K1500 Pickup .....	230
Silverado 2500 Series .....	174	K1500.....	230
Silverado 3500 Series .....	176	K1500 Suburban .....	232
Suburban 1500 Series, Suburban 2500 Series .....	177	K25.....	233
Suburban 3500 HD, Tahoe.....	177	K25/K2500 Pickup .....	234
Tracker, Trailblazer Series, V10 Series.....	178	K2500.....	234
		K2500 Suburban, K35, K3500 .....	235



GMC (continued)	
S15, S15 Jimmy, Safari .....	237
Savana 1500, Sierra 1500 Series .....	238
Sierra 2500 Series .....	239
Sierra 3500 Series .....	245
Sonoma .....	247
Syclone, Typhoon, V1500 Series .....	248
V2500 Series, V3500 .....	248
Yukon, Yukon XL Series .....	249
Honda	
Passport .....	249
Hummer	
H1, H2, H3, H3T .....	250
Infiniti	
QX4, QX56 .....	250
International	
1000A, 1000B, 1000C, 1000D, 1200A .....	250
1200B, 1200C, 1200D, 1210, 1300A .....	251
1300B, 1300C, 1300D, 900A .....	251
Scout, Scout II .....	252
Isuzu	
Amigo, Ascender, Axiom, Hombre, i-350, i-370 .....	252
Pickup, Rodeo .....	252
Rodeo Sport, Trooper, VehiCROSS .....	253
Jeep	
Cherokee, CJ Series .....	254
Comanche, Commando, Gladiator, Grand Cherokee .....	255
Grand Wagoneer, J10, J20, J-2600 .....	256
J-2700, J-2800, J-3500, J-3600 .....	256
J-3700, J-3800, Jeepster, Liberty, Scrambler .....	257
TJ, Wagoneer, Wrangler .....	258
Kia	
Sorento .....	259
Sportage .....	260
Land Rover	
Defender 110, Defender 90, Discovery .....	260
Land Rover, Range Rover .....	260
Lexus	
GX460, GX470, LX450, LX470, LX570 .....	260
Lincoln	
Aviator, Mark LT, Navigator .....	260
Mazda	
B2300, B2600, B3000 .....	261
B4000, MPV, Navajo, Tribute .....	262
Mercedes Benz	
ML320, ML350, ML430, ML500, ML55 AMG .....	262
Mercury	
Mariner, Mountaineer .....	262
Mitsubishi	
Mighty Max, Montero .....	263
Montero Sport, Outlander, Raider .....	264
Nissan	
720, Armada, D21, Frontier, Pathfinder .....	264
Pathfinder Armada, Pickup, Titan, Titan XD .....	265
Xterra .....	266
Oldsmobile	
Bravada .....	266
Plymouth	
Trailduster .....	266
Pontiac	
Torrent .....	266
Ram	
1500 .....	266
2500 .....	267
3500 .....	268
4500 .....	268
5500 .....	271
Dakota .....	272
Saab	
9-7x .....	272
Saturn	
Vue .....	273
Subaru	
Brat .....	273
Suzuki	
Equator, Grand Vitara .....	273
Samurai, Sidekick, Vitara, XL-7 .....	274
Toyota	
4Runner, FJ Cruiser, Land Cruiser, Pickup .....	274
Previa, Sequoia, T100, Tacoma .....	274
Tundra .....	276
Constant Velocity Centering Yokes .....	279
Constant Velocity Centering Repair Kits .....	281
Center Bearings By Bearing ID .....	284
Center Bearing Detail .....	285
Driveshaft Lubrication Specifications .....	306
Common Universal Joint Kits By Series .....	313
U-Joint Kit Attaching Hardware & Torque Specs .....	314
U-Joint Kit Method of Retention Hardware .....	316
Driveline Conversion Kits .....	318
U-Joint Kit Styles .....	319
Supercession/Obsolescence List .....	344

**Notes**

---

---

---

---

---

---

---

---

---

---

---

---

---

---

---

---

---

---

---

---

---

---

---

---

---

---

## GENERAL SAFETY INFORMATION

To prevent injury to yourself and/or damage to the equipment:

- Read carefully all owners manuals, service manuals, and or other instructions.
- Always follow proper procedures and use proper tools and safety equipment.
- Be sure to receive proper training.
- Never work alone while under a vehicle or while repairing or maintaining equipment.
- Always use proper components in applications for which they are approved.
- Be sure to assemble components properly.
- Never use worn-out or damaged components.
- Always block any raised or moving device that may injure a person working on or under a vehicle.
- Never operate the controls of the power take-off or other driven equipment from any position that could result in getting caught in the moving machinery.



### Rotating Auxiliary Driveshafts



- Rotating auxiliary driveshafts are dangerous. You can snag clothes, skin, hair, hands, etc. This can cause serious injury or death.
- Do not go under the vehicle when the engine is running.
- Do not work on or near an exposed shaft when the engine is running.
- Shut off engine before working on power take-off or driven equipment.
- Exposed rotating driveshafts must be guarded.



### Warning: Using Set Screws

Auxiliary driveshafts may be installed with either recessed or protruding set screws. If you choose a square head set screw, you should be aware that it will protrude above the hub of the yoke and may be a point where clothes, skin, hair, hands, etc. could be snagged. A socket head set screw, which may not protrude above the hub of the yoke, does not permit the same amount of torquing as does a square head set screw. Also, a square head set screw, if used with a lock wire, will prevent loosening of the screw caused by vibration. Regardless of the choice made with respect to a set screw, an exposed rotating auxiliary driveshaft must be guarded.

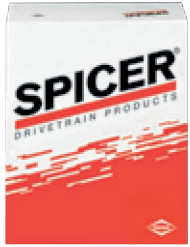


### Warning: Guarding Auxiliary Driveshafts

We strongly recommend that a power take-off and a directly mounted pump be used to eliminate the auxiliary driveshaft whenever possible. If an auxiliary driveshaft is used and remains exposed after installation, it is the responsibility of the vehicle designer and P.T.O. installer to install a guard.



This symbol warns of possible injury.



**Get the right u-joint right away.** With the Spicer® Yoke Ruler, you can quickly and easily measure a driveshaft yoke to determine the series of a driveshaft and then refer to the chart to the right to determine the correct u-joint kits for that series. This guide shows you how to find the part you need, no matter what information you have in front of you. **NOTE:** The Spicer Yoke Ruler is used to determine the series of driveshaft that is compatible with your yoke. Measurements for u-joint kits should be made with a caliper or micrometer and determined by using the dimensional charts in Spicer's K350 catalog.

### How to Measure a Yoke

This section will demonstrate how to use the Spicer Yoke Ruler to determine the correct Spicer driveshaft series when all you have is a yoke from a driveshaft. **NOTE:** This ruler will only measure Spicer Series yokes and is not inclusive of all driveshaft series. Refer to chart on the next page for u-joint kit number choices.

#### With a Full-Round Driveshaft Yoke

1. Measure from the outside of the yoke ears as shown
2. The correct driveshaft/u-joint series will be indicated on the opposite ear – **1310 in this example**

The correct u-joint kit options are listed in the chart to the right, and include **5-153X** (Spicer service kit – greaseable), **5-1310-1X** (Spicer Life/SPL greaseable), and **5-1310X** (Spicer Life/SPL non-greaseable). **For measurements showing multiple series, refer to the K350 catalog.**



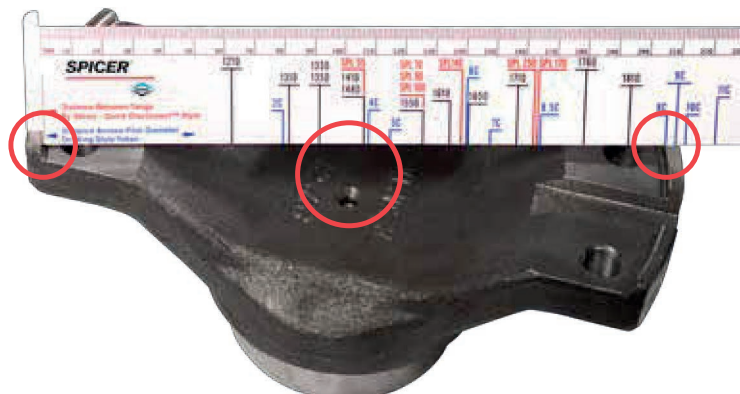
#### With a Half-Round Driveshaft Yoke

1. Measure from the inside of the tab as shown
2. The correct driveshaft/u-joint series will be indicated on the opposite tab – **SPL170 in this example.**

**For measurements showing multiple series, refer to the K350 catalog.**

#### With a Wing™ Series Yoke

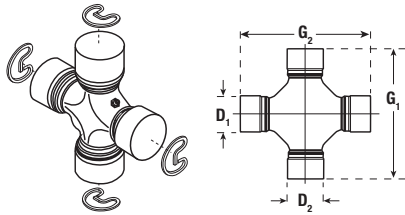
1. Measure across the inside of the pilot diameter. **CAUTION:** Make sure your ruler is directly over the center of the bolt holes on the yoke as shown
2. Read result on **opposite** pilot diameter
3. Wing™ Series u-joint kit part numbers can be found in the Wing™ Series brochure (J3312-WINGBRO-52105) available at [www.SpicerParts.com/library](http://www.SpicerParts.com/library)



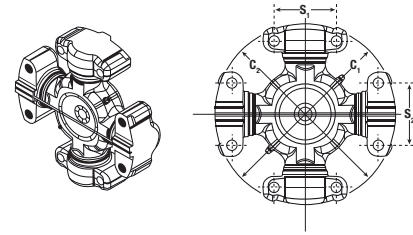
**Measuring U-Joint Kits** *(Spicer Yoke Ruler does not apply.)*

The illustrations below show appropriate measurements required to identify the most common styles of u-joint kits. Illustrations for the other styles of u-joint kits can be found in the last section of the K350 catalog. We recommend using a caliper or micrometer to most accurately measure u-joints. U-Joint caps must be compressed when measuring dimension over the caps. Once you have recorded your measurements, refer to the dimensional charts by u-joint type which can be found in the last section of the K350 catalog. The K350 catalog can be downloaded from our online library, located at [www.SpicerParts.com/library](http://www.SpicerParts.com/library).

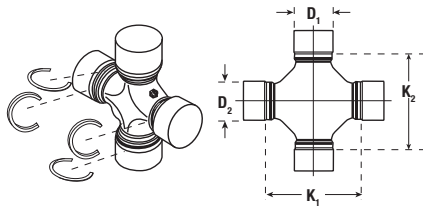
**Outside Snap Rings**



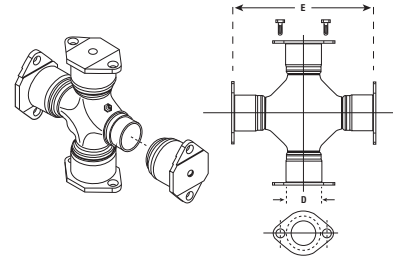
**Wing™ Series**



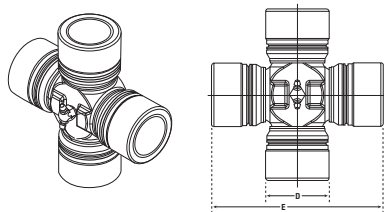
**Inside Snap Rings**



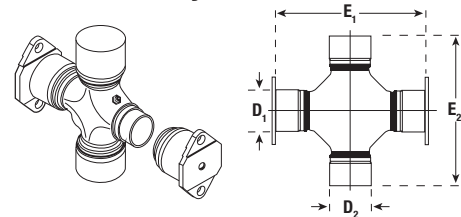
**Bearing Plate Style**



**Spicer Life Series®  
(SPL® 140, 170, 250, and 350)**



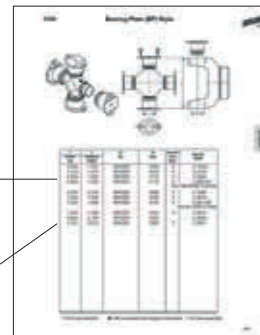
**Half Round Style**



**Sample of the K350 Dimensional Pages**

**Bearing Plate (BP) Style**

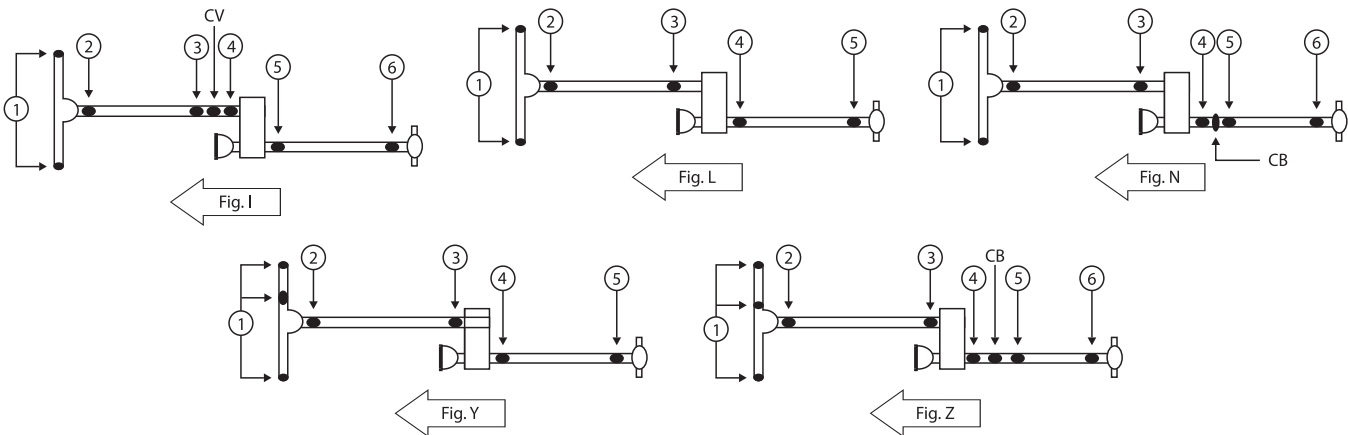
E Between Caps	D Bearing cap Diameter	OE Mfg.	OE Series	Umscastle (Yoke Mark)	Spicer Part Number
4.562	1.562	SPICER	1500	Y	5-115X*
5.312	1.875	SPICER	1610	Y	5-279X
6.094	1.938	SPICER	1710	Y	5-280X
6.094	1.938	SPICER	1710	Y	5-280-4X*





Spicer® parts are there when you hit the trail—and when the trail hits back. No matter what conditions you throw at your 4WD vehicle, trust non-greaseable Spicer SPL® U-joints with the triple lip seal for premium performance. And when you need it, Spicer 4WD u-joint performance packs have everything for a complete u-joint change-out— with just one part number to order. For a complete listing of applications, please visit [www.SpicerParts.com/literature](http://www.SpicerParts.com/literature) and download the catalog “K350-1-DSSP” from the driveshaft section.

To help you find the Spicer u-joints you need for your vehicle, we have developed these performance u-joint charts. Simply follow these instructions. 1. Use the Kit Numbers by Make charts on the right to find the kit number that matches your year, make, and model. 2. Find your kit part number on the chart below. 3. Read across the chart to determine which drawing (DWG) corresponds to your kit. 4. Locate the u-joint that corresponds to the position you need.



Make	Kit Number	DWG	Pos 1	Pos 2	Pos 3	Pos 4	Pos 5	Pos 6
Ford	SPL1001FK	Y	5-760X	5-1330X	5-1330X	5-1350X	5-1350X	N/A
Ford	SPL1002FK	Y	5-760X	5-1330X	5-1330X	5-7438X	5-7438X	N/A
Ford	SPL1003FK	Z	5-760X	5-1330X	5-1330X	5-1330X	5-1330X	5-1330X
Ford	SPL1004FK	Y	5-760X	5-1330X	5-1330X	5-1330X	5-1330X	N/A
Ford	SPL1005FK	Z	5-760X	5-1330X	5-1330X	5-1350X	5-1350X	5-1350X
Ford	SPL1006FK	Y or L	N/A	5-1330X	5-1330X	5-1330X	5-1330X	N/A
Ford	SPL1007FK	Y or L	N/A	5-1330X	5-1330X	5-1350X	5-1350X	N/A
Ford	SPL1008FK	Z	N/A	5-1330X	5-1330X	5-1330X	5-1330X	5-1330X
Ford	SPL1009FK	Z	N/A	5-1330X	5-1330X	5-1350X	5-1350X	5-1350X
Ford	SPL1011FK	L	N/A	5-1310X	N/A	5-1330X	5-1330X	N/A
Ford	SPL1012FK	L	N/A	5-1330X	N/A	5-1330X	5-1330X	N/A
Jeep	SPL1013JK	I	5-760X	5-1310X	5-1310X	5-1310X	5-788X	5-788X
Jeep	SPL1014JK	I	5-760X	5-1310X	5-1310X	5-1310X	5-1310X	5-1310X
Jeep	SPL1015JK	I	5-760X	5-1310X	5-1310X	5-1310X	5-811X	5-811X
Jeep	SPL1016JK	I	N/A	5-1310X	5-1310X	5-1310X	5-1310X	5-1310X
Jeep	SPL1017JK	I	N/A	5-1310X	5-1310X	5-1310X	5-1330X	5-1310X
Jeep	SPL1018JK	L	5-760X	5-1310X	5-1310X	5-1310X	5-1310X	N/A
Jeep	SPL1019JK	I	5-760X	5-793X	5-1330X	5-1330X	5-795X	5-793X
Jeep	SPL1020JK	I	5-760X	5-793X	5-1330X	5-1330X	5-1310X	5-1310X
Jeep	SPL1026JK	L	5-260X	5-1310X	5-1310X	5-1310X	5-1310X	N/A
Jeep	SPL1027JK	I	5-260X	5-1310X	5-1310X	5-1310X	5-1310X	5-1310X
Jeep	SPL1028JK	I	5-7166X	5-1310X	5-1310X	5-1310X	5-1310X	5-1310X
Jeep	SPL1029JK	I	5-760X	5-1350X	5-1350X	5-1350X	5-1350X	5-1350X
Jeep	SPL1030JK	I	5-7166X	5-1350X	5-1350X	5-1350X	5-1350X	5-1350X
Chevy	SPL1021CK	L	N/A	5-795X	5-795X	5-795X	5-795X	N/A
Chevy	SPL1022CK	L	N/A	5-795X	5-795X	5-1330X	5-793X	N/A
Chevy	SPL1023CK	N	N/A	5-795X	5-795X	5-1330X	5-1330X	5-793X
Chevy	SPL1024CK	L	N/A	5-795X	5-795X	5-1350X	5-1350X	N/A
Chevy	SPL1025CK	N	N/A	5-795X	5-795X	5-1350X	5-1350X	5-1350X



## FORD

Year	Model	Description	Kit #
1997-2001	Expedition	2 joint shaft w/ adj. suspension	SPL1007FK
1997-2001	Expedition	2 joint shaft w/ std suspension	SPL1006FK
2002-2006	Expedition	2 joint driveshaft	SPL1007FK
1998-2003	Explorer	w/ plunging CV joint at TC	SPL1010FK
2004	Explorer	w/ Sport Trac	SPL1012FK
2005-2006	Explorer		SPL1011FK
1997-1999	F-150	2 joint driveshaft w/ 2 inside and 2 outside snap rings	SPL1002FK
1997-1999	F-150	2 joint driveshaft w/ 4 outside snaps	SPL1001FK
1997-1999	F-150	3 joint driveshaft	SPL1003FK
2000-2001	F-150	2 joint driveshaft w/ 4.2L and 4.6L exc. reg. cab w/ short bed	SPL1001FK
2000-2001	F-150	2 joint driveshaft w/ 4.2L and 4.6L reg. cab w/ short bed	SPL1004FK
2000-2001	F-150	2 joint driveshaft w/ 5.4L engine	SPL1001FK
2000-2001	F-150	3 joint driveshaft w/ 4.2L and 4.6L engine	SPL1003FK
2000-2001	F-150	3 joint driveshaft w/ 5.4L engine	SPL1005FK
2002-2003	F-150	2 joint driveshaft w/ 4.2L and 4.6L exc. reg. cab w/ short bed	SPL1007FK
2002-2003	F-150	2 joint driveshaft w/ 4.2L and 4.6L reg. cab w/ short bed	SPL1006FK
2002-2003	F-150	2 joint driveshaft w/ 5.4L engine	SPL1007FK
2002-2003	F-150	3 joint driveshaft w/ 5.4L engine	SPL1009FK
2002-2004	F-150	3 joint driveshaft w/ 4.2L and 4.6L engine	SPL1008FK
2004	F-150	2 joint driveshaft w/ 4.2L and 4.6L exc. reg. cab w/ short bed	SPL1007FK

## JEEP

Year	Model	Description	Kit #
1984-1993	Cherokee (XJ)	w/o CV front driveshaft	SPL1026JK
1987-1993	Cherokee (XJ)	w/ CV front driveshaft	SPL1027JK
1995-1998	Cherokee Compact (XJ)	w/ 2 inside and 2 outside snap rings	SPL1013JK
1995-1998	Cherokee Compact (XJ)	w/ 4 inside snap rings w/ 7290 series	SPL1015JK
1995-1998	Cherokee Compact (XJ)	w/ 4 outside snap rings	SPL1014JK
1999-2001	Cherokee Compact (XJ)	w/ automatic transmission	SPL1014JK
1968-1983	CJ5	w/o CV front driveshaft	SPL1026JK
1979-1983	CJ5	w/ CV front driveshaft	SPL1027JK
1976-1986	CJ7	w/o CV front driveshaft	SPL1026JK
1979-1986	CJ7	w/ CV front driveshaft	SPL1027JK
1994-1998	Grand Cherokee	w/ 2 inside and 2 outside snap rings	SPL1013JK

continued next page



## JEEP (CONTINUED)

Year	Model	Description	Kit #
1994-1998	Grand Cherokee	w/ 4 inside snap rings w/ 7290 series	SPL1015JK
1994-1998	Grand Cherokee	w/ 4 outside snap rings	SPL1014JK
1999	Grand Cherokee		SPL1014JK
2000	Grand Cherokee		SPL1016JK
2001-2003	Grand Cherokee	4.7L w/ Selec-Trac	SPL1017JK
2001-2003	Grand Cherokee	4.7L w/o Selec-Trac	SPL1016JK
2004	Grand Cherokee	4.7L engine	SPL1016JK
1997-1998	Wrangler (TJ)		SPL1018JK
1999-2002	Wrangler (TJ)		SPL1014JK
2003-2004	Wrangler (TJ)	Exc. Wrangler Rubicon	SPL1014JK
2003-2004	Wrangler (TJ)	Rubicon	SPL1019JK
2005-2006	Wrangler (TJ)	Exc. Wrangler Rubicon and Unlimited Rubicon	SPL1014JK
2005-2006	Wrangler (TJ)	Rubicon	SPL1019JK
2005-2006	Wrangler (TJ)	Unlimited Rubicon	SPL1020JK
1987-1995	Wrangler (YJ)		SPL1026JK
2007-2011	Wrangler (JK)	w/ aftermarket 1350 or CV front driveshaft	SPL1029JK
2012-2016	Wrangler (JK)	w/ aftermarket 1310 or CV front driveshaft	SPL1028JK
2012-2016	Wrangler (JK)	w/ aftermarket 1350 or CV front driveshaft	SPL1030JK

## CHEVROLET

Year	Model	Description	Kit #
1999-2001	1500/1500 HD PU	Extended cab, long bed	SPL1023CK
1999-2001	1500/1500 HD PU	Extended cab, short bed	SPL1022CK
1999-2004	1500/1500 HD PU	Regular cab	SPL1021CK
2002-2004	1500/1500 HD PU	Extended cab, long bed, w/o 4 wheel steering option	SPL1023CK
2002-2004	1500/1500 HD PU	Extended cab, std bed, w/ 4 wheel steering	SPL1024CK
2002-2004	1500/1500 HD PU	Extended cab, std Bed, w/o 4 wheel steering option	SPL1022CK
2002-2004	1500/1500 HD PU	Crew cab	SPL1025CK
2005	1500/1500 HD PU	Regular cab w/ inside snap rings	SPL1021CK
2005	1500/1500 HD PU	Regular cab w/outside snap rings	SPL1024CK
2006	1500/1500 HD PU	Extended cab long bed	SPL1025CK
2006	1500/1500 HD PU	Regular cab, ext. cab-std bed, crew cab	SPL1024CK





**Alfa Romeo**

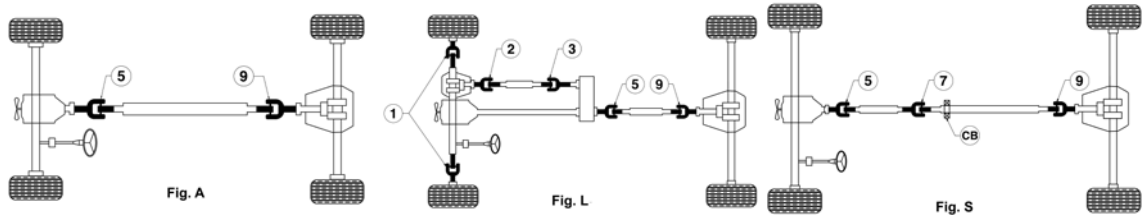
PASSENGER

Year	Model	Description	Fig.	Location	Spicer Part #	SPL (Uncoated) Part #	SPL (Coated) Part #
1954-1958	1900		A	5,9	5-101X**		
1954-1957	1900C		A	5,9	5-101X**		
1958-1962	2000		A	5,9	5-101X**		
1962-1968	2600		A	5,9	5-101X**		
1969-1974	Berlina		A	5,9	5-101X**		
1966-1968	Duetto 1600		A	5,9	5-101X**		
1962-1968	Giulia		A	5,9	5-101X**		
1962-1968	Giulia Sprint		A	5,9	5-101X**		
1954-1963	Giulietta		A	5,9	5-101X**		
1969-1974	GT Veloce		A	5,9	5-101X**		
1965-1968	GTA		A	5,9	5-101X**		
1964-1966	GTC		A	5,9	5-101X**		
1967-1968	GTV		A	5,9	5-101X**		
1964	GTZ		A	5,9	5-101X**		
1971-1975	Montreal		A	5,9	5-101X**		
1969-1979	Spider		A	5,9	5-101X**		
1978-1979	Sport		A	5,9	5-101X**		
1977-1979	Sprint		A	5,9	5-101X**		
1965	TZ		A	5,9	5-101X**		
1967	TZ 2		A	5,9	5-101X**		

**American Motors**

Year	Model	Description	Fig.	Location	Spicer Part #	SPL (Uncoated) Part #	SPL (Coated) Part #
1958-1959	Ambassador		A	5	5-3219-1X*		
1960-1962	Ambassador	Auto Trans; 1.125" Bearing Cup Dia.	A	5	5-3219-1X*		
	Ambassador	Standard Trans	A	5	5-3219-1X*		
1963-1966	Ambassador		A	5	5-3263X*		
1967-1974	Ambassador		A	5,9	5-153X*	5-1310-1X* 5-1310X**	
1958-1964	American		A	5,9	5-105X*		
1965	American	3.2L	A	5,9	5-105X*		
1965-1966	American	3.8L	A	5	5-3242X*		
	American	3.8L	A	9	5-2173X*		
1966	American	4.7L	A	5	5-3242X*		
	American	3.3L	A	5,9	5-105X*		
	American	4.7L	A	9	5-2173X*		
1967	American	Auto Trans	A	5	5-3242X*		
	American	Standard Trans	A	5	5-2173X*		
	American		A	9	5-2173X*		
1968	American		A	5,9	5-153X*	5-1310-1X* 5-1310X**	
1963	Classic	3.2L	A	5	5-101X**		
1963-1964	Classic	4.7L	A	5	5-3263X*		
	Classic	3.2L; 3.8L	A	5	5-105X*		
1964	Classic	3.2L; 3.3L	A	5	5-105X*		
	Classic	3.8L; 4.7L; 5.3L	A	5	5-3263X*		
1966	Classic		A	5	5-3263X*		
1978	Concord	2.0L; 3.8L; 4.2L; 5.0L; w/ Inside Snap Rings	A	5,9	5-3228X*	5-789X**	
	Concord	2.0L; 3.8L; 4.2L; w/ Outside Snap Rings	A	5,9	5-153X*	5-1310-1X* 5-1310X**	
1979-1982	Concord	w/ Outside Snap Rings	A	5	5-153X*	5-1310-1X* 5-1310X**	
	Concord	w/ Inside Snap Rings	A	5,9	5-3228X*	5-789X**	
1979-1983	Concord	w/ Inside & Outside Snap Rings	A	9	5-788X**		
1983	Concord		A	5	5-153X*	5-1310-1X* 5-1310X**	
	Concord	w/ Outside Snap Rings	A	9	5-153X*	5-1310-1X* 5-1310X**	

\* GREASEABLE \*\* NON-GREASEABLE



**American Motors (Cont'd)**

Year	Model	Description	Fig.	Location	Spicer Part #	SPL (Uncoated) Part #	SPL (Coated) Part #
1980-1981	Eagle	4.2L	L	2,3	5-153X*	5-1310-1X* 5-1310X**	
	Eagle	w/ Outside Snap Rings	L	5	5-153X*	5-1310-1X* 5-1310X**	
	Eagle	w/ Inside Snap Rings	L	5,9	5-3228X*	5-789X**	
	Eagle	w/ Inside & Outside Snap Rings	L	9		5-788X**	
1981	Eagle	2.5L	L	2	5-101X**		
1982-1988	Eagle		L	2,3,5,9	5-153X*	5-1310-1X* 5-1310X**	
1965-1966	Marlin		A	5	5-3263X*		
1967	Marlin		A	5,9	5-153X*	5-1310-1X* 5-1310X**	
1975	Pacer	w/ Outside Snap Rings	A	5,9	5-153X*	5-1310-1X* 5-1310X**	
1976-1977	Pacer	3.8L; 4.2L; w/ Inside Snap Rings	A	5,9	5-3228X*	5-789X**	
1976-1978	Pacer	3.8L; 4.2L; w/ Outside Snap Rings	A	5,9	5-153X*	5-1310-1X* 5-1310X**	
1978	Pacer	3.8L; 4.2L; 5.0L; w/ Inside Snap Rings	A	5,9	5-3228X*	5-789X**	
1979-1980	Pacer	w/ Outside Snap Rings	A	5	5-153X*	5-1310-1X* 5-1310X**	
	Pacer	w/ Inside Snap Rings	A	5,9	5-3228X*	5-789X**	
	Pacer	w/ Inside & Outside Snap Rings	A	9		5-788X**	
1958-1960	Rambler	Standard Trans; Overdrive; Exc. HD	A	5	5-101X**		
	Rambler	Auto Trans	A	5,9	5-105X*		
1969	Rambler		A	5,9	5-153X*	5-1310-1X* 5-1310X**	
1979-1981	Spirit	w/ Outside Snap Rings	A	5	5-153X*	5-1310-1X* 5-1310X**	
1979-1982	Spirit	w/ Inside Snap Rings	A	5,9	5-3228X*	5-789X**	
	Spirit	w/ Inside & Outside Snap Rings	A	9		5-788X**	
1982	Spirit	w/ Outside Snap Rings	A	5,9	5-153X*	5-1310-1X* 5-1310X**	
1983	Spirit		A	5,9	5-153X*	5-1310-1X* 5-1310X**	

**Aston Martin**

Year	Model	Description	Fig.	Location	Spicer Part #	SPL (Uncoated) Part #	SPL (Coated) Part #
1963-1965	DB5		A	5,9	5-153X*	5-1310-1X*	
1965-1970	DB6		A	5,9	5-153X*	5-1310-1X*	

**Austin**

Year	Model	Description	Fig.	Location	Spicer Part #	SPL (Uncoated) Part #	SPL (Coated) Part #
1968-1971	America	Auto Trans	A	5,9	5-101X**		
1973-1975	Marina	Auto Trans	S	5,7,9	5-101X**		

**Austin Healey**

Year	Model	Description	Fig.	Location	Spicer Part #	SPL (Uncoated) Part #	SPL (Coated) Part #
1965-1970	Sprite		A	5,9	5-101X**		

\* GREASEABLE \*\* NON-GREASEABLE

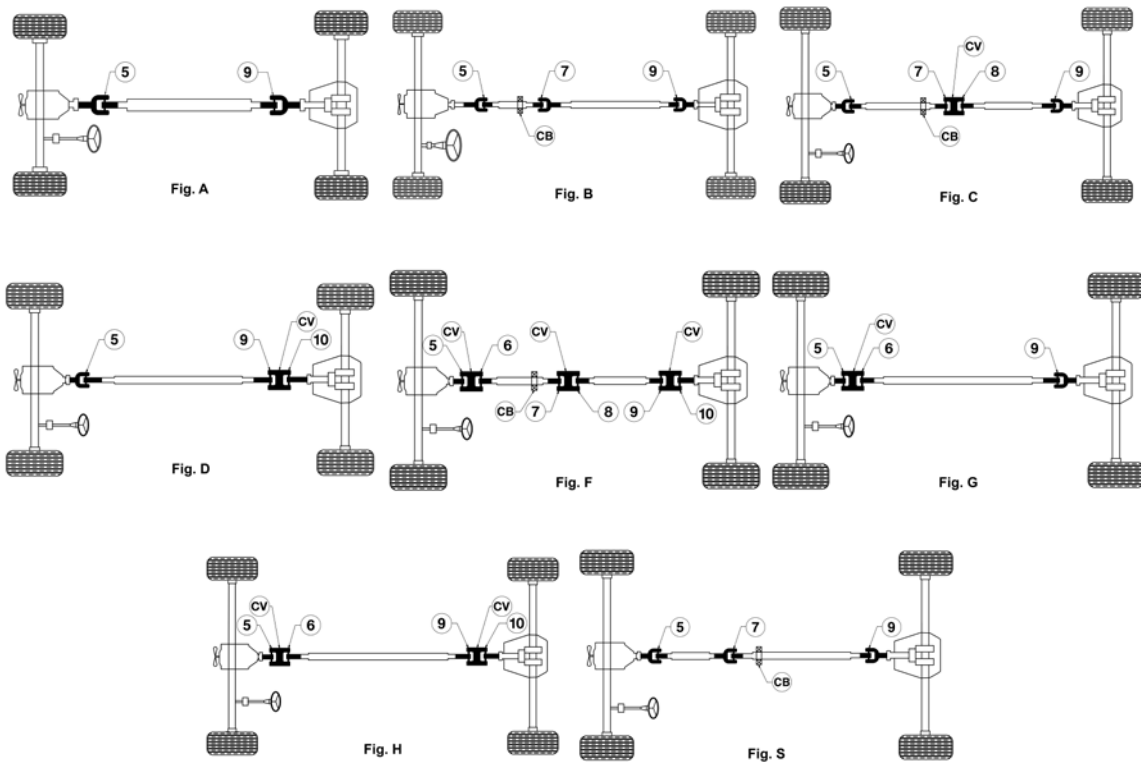
**Bentley**

Year	Model	Description	Fig.	Location	Spicer Part #	SPL (Uncoated) Part #	SPL (Coated) Part #
1959-1965	Continental		A	5,9	5-178X*	5-1350-1X* 5-1350X**	SPL30-1350XC**
1959-1961	S2 Series		A	5,9	5-178X*	5-1350-1X* 5-1350X**	SPL30-1350XC**
1962-1965	S3 Series		A	5,9	5-178X*	5-1350-1X* 5-1350X**	SPL30-1350XC**

**Buick**

Year	Model	Description	Fig.	Location	Spicer Part #	SPL (Uncoated) Part #	SPL (Coated) Part #
1973-1975	Apollo		A	5,9	5-153X*	5-1310-1X* 5-1310X**	
1979	Century	1 or 2-Piece Driveshaft	A	5,9	5-3147X*	5-795X**	
	Century	2 Piece Driveshaft	G	CV	211009X		
1980-1981	Century		A	5,9	5-3147X*	5-795X**	
1995	Commercial Chassis		A	5,9	5-3147X*		
1996	Commercial Chassis		A	5,9	5-3147X*	5-795X**	
1959-1960	Electra		B	7	5-213X*	5-1330-1X* 5-1330X**	
1961-1963	Electra		B	5,7	5-213X*	5-1330-1X* 5-1330X**	
	Electra		B	9	5-212X*		
1961-1981	Electra	1-Piece Driveshaft	A	5,9	5-3147X*	5-795X**	
1964-1967	Electra	2-Piece Driveshaft	C	5,9	5-3147X*	5-795X**	
1968	Electra	2-Piece Driveshaft	C	5,7,8,9	5-3147X*	5-795X**	
1969-1981	Electra	2-Piece Driveshaft	D	5,9,10	5-3147X*	5-795X**	
1973-1974	Electra	Exc. Wagon	G	CV	211009X		
1975-1981	Electra	2 Piece Driveshaft	G	CV	211009X		
1982-1985	Electra	w/ Outside Snap Rings	A	5,9	5-178X*	5-1350-1X* 5-1350X**	SPL30-1350XC**
1982-1989	Electra	w/ Inside Snap Rings	A	5,9	5-3147X*	5-795X**	
1982-1983	Estate Wagon	w/ Inside Snap Rings	A	5,9	5-3147X*	5-795X**	
	Estate Wagon	w/ Outside Snap Rings	A	5,9	5-178X*	5-1350-1X* 5-1350X**	SPL30-1350XC**
1959-1960	LeSabre		B	7	5-213X*	5-1330-1X* 5-1330X**	
1961-1963	LeSabre		B	5,7	5-213X*	5-1330-1X* 5-1330X**	
	LeSabre		B	9	5-212X*		
	LeSabre	2-Piece Driveshaft	C	5,7,8,9	5-3147X*	5-795X**	
1961-1981	LeSabre	1-Piece Driveshaft	A	5,9	5-3147X*	5-795X**	
1964-1968	LeSabre	2-Piece Driveshaft	C	5,9	5-3147X*	5-795X**	
1969-1981	LeSabre	2-Piece Driveshaft	D	5,9,10	5-3147X*	5-795X**	
1973-1974	LeSabre	Exc. Wagon	G	CV	211009X		
1975-1981	LeSabre	2 Piece Driveshaft	G	CV	211009X		
1982-1985	LeSabre	w/ Inside Snap Rings	A	5,9	5-3147X*	5-795X**	
	LeSabre	w/ Outside Snap Rings	A	5,9	5-178X*	5-1350-1X* 5-1350X**	SPL30-1350XC**
1973-1981	Regal		A	5,9	5-3147X*	5-795X**	
1979	Regal	2 Piece Driveshaft	G	CV	211009X		
1982-1987	Regal	w/ Inside Snap Rings	A	5,9	5-3147X*	5-795X**	
	Regal	w/ Outside Snap Rings	A	5,9	5-178X*	5-1350-1X* 5-1350X**	SPL30-1350XC**
1964-1970	Riviera		F	5,6,7,8,9,10	5-3147X*	5-795X**	
1971-1978	Riviera		B	5,7,9	5-3147X*	5-795X**	
1973-1978	Riviera		G	CV	211009X		
1957-1958	Roadmaster		B	7	5-213X*	5-1330-1X* 5-1330X**	
1991-1996	Roadmaster		A	5,9	5-3147X*	5-795X**	
1975-1979	Skyhawk		A	5,9	5-153X*	5-1310-1X* 5-1310X**	
1964-1972	Skylark		A	5,9	5-3147X*	5-795X**	

\* GREASEABLE \*\* NON-GREASEABLE



**Buick (Cont'd)**

Year	Model	Description	Fig.	Location	Spicer Part #	SPL (Uncoated) Part #	SPL (Coated) Part #
1961-1963	Special		C	5	5-3242X*		
	Special		C	7,8	5-3263X*		
	Special		C	9	5-3242X*		
1964-1969	Special		A	5,9	5-3147X*	5-795X**	
1962-1963	Wildcat	2-Piece Driveshaft	C	5,7,8,9	5-3147X*	5-795X**	
1962-1970	Wildcat	1-Piece Driveshaft	A	5,9	5-3147X*	5-795X**	
1964-1965	Wildcat	2-Piece Driveshaft	C	5	5-3147X*	5-795X**	
1966-1968	Wildcat	2-Piece Driveshaft	C	5,9	5-3147X*	5-795X**	
1969-1970	Wildcat	2-Piece Driveshaft	B	5,7,9	5-3147X*	5-795X**	

**Cadillac**

Year	Model	Description	Fig.	Location	Spicer Part #	SPL (Uncoated) Part #	SPL (Coated) Part #
1987-1992	Brougham		A	5,9	5-3147X*	5-795X**	
1991-1992	Brougham	3.73 Gear Ratio; Armored Body	H	CV	211009X		
1963-1979	Commercial Chassis		F	5,6,7,8,9,10	5-3147X*	5-795X**	
1973-1979	Commercial Chassis		F	CV	211009X		
1980-1984	Commercial Chassis		H	5,6,9,10	5-3147X*	5-795X**	
	Commercial Chassis		H	CV	211009X		
1992-1996	Commercial Chassis	w/o Armored Body	A	5,9	5-3147X*	5-795X**	
	Commercial Chassis	Armored Body	D	5,9,10	5-3147X*	5-795X**	
	Commercial Chassis	3.73 Gear Ratio; Armored Body	H	CV	211009X		
1953-1956	DeVille	1-Piece Driveshaft	A	5,9	5-3147X*	5-795X**	
	DeVille	2-Piece Driveshaft	S	5,7,9	5-3264X*		
1957	DeVille		S	5,7,9	5-3147X*	5-795X**	
1958-1962	DeVille	w/ Inside Snaps Rings	S	5,7,9	5-3147X*	5-795X**	
	DeVille	w/ Outside Snaps Rings	S	5,7,9	5-213X*	5-1330-1X* 5-1330X**	

\* GREASEABLE \*\* NON-GREASEABLE

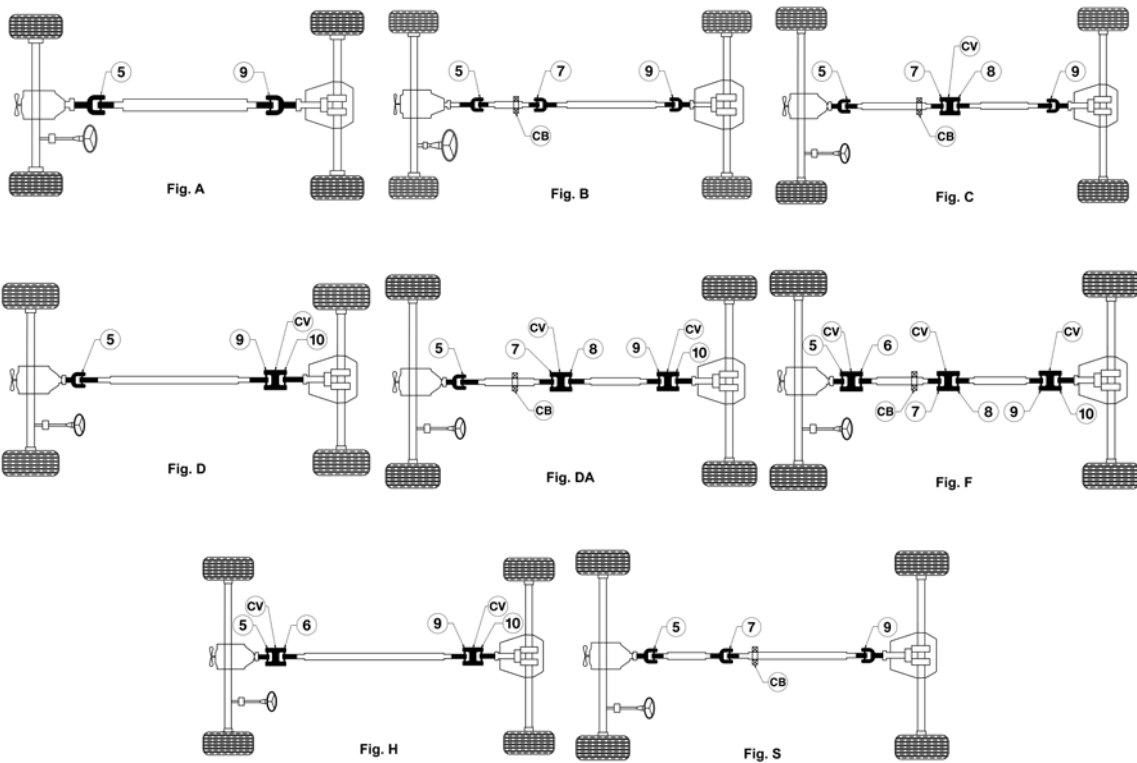
**Cadillac (Cont'd)**

Year	Model	Description	Fig.	Location	Spicer Part #	SPL (Uncoated) Part #	SPL (Coated) Part #
1963-1967	DeVille		DA	5,7,8,9,10	5-3147X*	5-795X**	
1968-1981	DeVille		H	5,6,9,10	5-3147X*	5-795X**	
1982-1984	DeVille		A	5,9	5-3147X*	5-795X**	
1953-1956	Eldorado	1-Piece Driveshaft	A	5,9	5-3147X*	5-795X**	
	Eldorado	2-Piece Driveshaft	S	5,7,9	5-3264X*		
1957-1962	Eldorado	w/ Inside Snaps Rings	S	5,7,9	5-3147X*	5-795X**	
	Eldorado	w/ Outside Snaps Rings	S	5,7,9	5-213X*	5-1330-1X* 5-1330X**	
1963-1964	Eldorado		DA	5,7,8,9,10	5-3147X*	5-795X**	
1965-1967	Fleetwood		DA	5,7,8,9,10	5-3147X*	5-795X**	
1968-1981	Fleetwood		H	5,6,9,10	5-3147X*	5-795X**	
1973-1979	Fleetwood	Exc. 75 Series	C	CV	211009X		
	Fleetwood	75 Series	F	CV	211009X		
1980-1984	Fleetwood		H	CV	211009X		
1982-1986	Fleetwood		A	5,9	5-3147X*	5-795X**	
1993-1996	Fleetwood	Armored Body; 1-Piece Driveshaft	A	5	5-3147X*	5-795X**	
	Fleetwood	w/o Armored Body; 1-Piece Driveshaft	A	9	5-3147X*	5-795X**	
	Fleetwood	w/o Armored Body; 2-Piece Driveshaft	D	5	5-3147X*	5-795X**	
	Fleetwood	Armored Body; 2-Piece Driveshaft	D	9,10	5-3147X*	5-795X**	
	Fleetwood	3.73 Gear Ratio; Armored Body	H	CV	211009X		
1950-1951	Series 61	1-Piece Driveshaft	A	5,9	5-3147X*	5-795X**	
	Series 61	2-Piece Driveshaft	S	5,7,9	5-3264X*		
1952-1956	Series 62	1-Piece Driveshaft	A	5,9	5-3147X*	5-795X**	
	Series 62	2-Piece Driveshaft	S	5,7,9	5-3264X*		
1950-1956	Series 75 Fleetwood	1-Piece Driveshaft	A	5,9	5-3147X*	5-795X**	
	Series 75 Fleetwood	2-Piece Driveshaft	S	5,7,9	5-3264X*		
1958-1962	Series 75 Fleetwood	w/ Inside Snaps Rings	S	5,7,9	5-3147X*	5-795X**	
	Series 75 Fleetwood	w/ Outside Snaps Rings	S	5,7,9	5-213X*	5-1330-1X* 5-1330X**	
	Series 75 Fleetwood	w/ Inside & Outside Snap Rings	S	9	5-212X*	5-793X**	
1963-1964	Series 75 Fleetwood		S	5,7,9	5-3147X*	5-795X**	

**Checker**

Year	Model	Description	Fig.	Location	Spicer Part #	SPL (Uncoated) Part #	SPL (Coated) Part #
1962-1972	Aerobus		B	5,7,9	5-153X*	5-1310-1X* 5-1310X**	
1973-1974	Aerobus		C	5,7,8,9	5-153X*	5-1310-1X* 5-1310X**	
1961-1968	Marathon		A	5,9	5-153X*	5-1310-1X* 5-1310X**	
1969-1971	Marathon		A	5,9	5-213X*	5-1330-1X* 5-1330X**	
1972-1973	Marathon		A	5,9	5-153X*	5-1310-1X* 5-1310X**	
1974-1980	Marathon		A	5	5-213X*	5-1330-1X* 5-1330X**	
	Marathon		A	9	5-153X*	5-1310-1X* 5-1310X**	
1952-1964	Taxicab		A	5,9	5-153X*	5-1310-1X* 5-1310X**	
1969-1971	Taxicab		A	5,9	5-213X*	5-1330-1X* 5-1330X**	
1972-1973	Taxicab		A	5,9	5-153X*	5-1310-1X* 5-1310X**	
1974	Taxicab		A	5	5-213X*	5-1330-1X* 5-1330X**	
	Taxicab		A	9	5-153X*	5-1310-1X* 5-1310X**	

\* GREASEABLE \*\* NON-GREASEABLE



**Chevrolet**

Year	Model	Description	Fig.	Location	Spicer Part #	SPL (Uncoated) Part #	SPL (Coated) Part #
1958-1964	Bel Air		S	5,7,9	5-153X*	5-1310-1X* 5-1310X**	
1965-1970	Bel Air		A	5,9	5-153X*	5-1310-1X* 5-1310X**	
1971-1975	Bel Air	Wagon; w/ Inside Snap Rings	A	5,9	5-3147X*	5-795X**	
	Bel Air	Wagon; w/ Outside Snap Rings	A	5,9	5-153X*	5-1310-1X* 5-1310X**	
1973	Bel Air	Sedan	D	5,9,10	5-3147X*	5-795X**	
	Bel Air	Exc. Wagon; w/ Machined Yokes	D	CV	211009X		
1974-1975	Bel Air	Exc. Wagon; w/ Inside Snap Rings	D	CV	211009X		
1981	Bel Air		A	5,9	5-3147X*	5-795X**	
1967-1975	Camaro	1-Piece Driveshaft	A	5,9	5-153X*	5-1310-1X* 5-1310X**	
	Camaro	1-Piece Driveshaft; w/ Inside Snap Rings	A	5,9	5-3147X*	5-795X**	
1982-1984	Camaro	1-Piece Driveshaft; w/ Outside Snap Rings	A	5,9	5-178X*	5-1350-1X* 5-1350X**	SPL30-1350XC**
	Camaro	1-Piece Driveshaft; Aluminum Driveshaft	A	5		5-3613X**	
1988-1992	Camaro	1-Piece Driveshaft; Steel Driveshaft	A	5,9	5-3147X*	5-795X**	
	Camaro	1-Piece Driveshaft; Steel Driveshaft; 1.063" & 1.125" Bearing Cup Dia.	A	9	5-3022-1X*		
1993	Camaro	Base; Indianapolis 500 Pace Car; 2-Piece Driveshaft	B	5,9	5-3147X*	5-795X**	
1993-1997	Camaro	Z28; 1-Piece Driveshaft	A	5,9	5-3147X*	5-795X**	
1996-1997	Camaro	Base; RS; 2-Piece Driveshaft	B	5,9	5-3147X*	5-795X**	
1998-1999	Camaro	Z28; Z28 SS; 1-Piece Driveshaft	A	5,9	5-3147X*	5-795X**	
	Camaro	Base; 2-Piece Driveshaft	B	5,9	5-3147X*	5-795X**	
2000-2002	Camaro	1-Piece Driveshaft	A	5,9	5-3147X*	5-795X**	
1966-1967	Caprice		A	5,9	5-153X*	5-1310-1X* 5-1310X**	

\* GREASEABLE \*\* NON-GREASEABLE

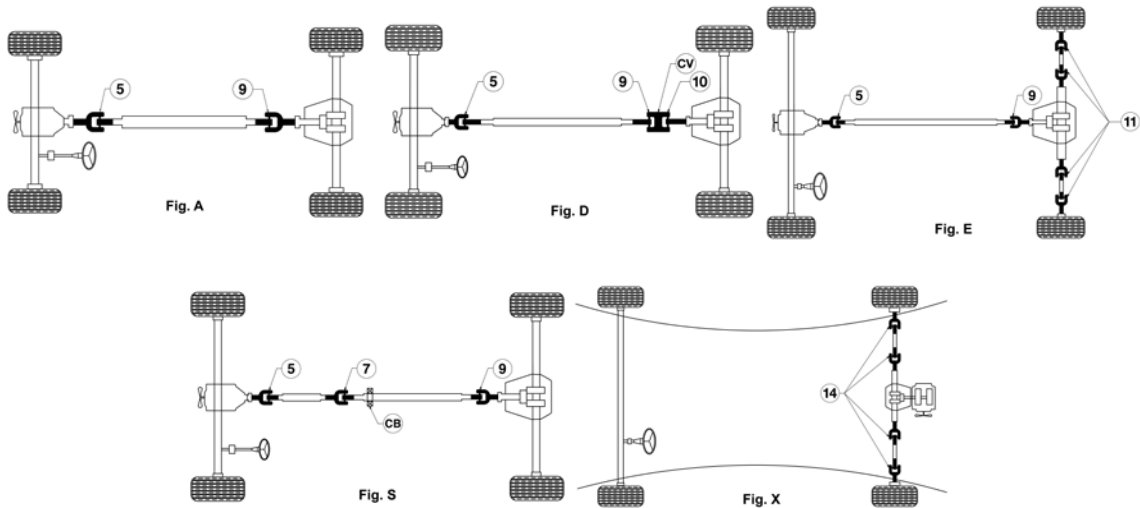
**Chevrolet (Cont'd)**

PASSENGER

Year	Model	Description	Fig.	Location	Spicer Part #	SPL (Uncoated) Part #	SPL (Coated) Part #
1968-1970	Caprice	Standard Trans	A	5,9	5-153X*	5-1310-1X* 5-1310X**	
1971-1975	Caprice	Wagon; w/ Inside Snap Rings	A	5,9	5-3147X*	5-795X**	
	Caprice	Wagon; w/ Outside Snap Rings	A	5,9	5-153X*	5-1310-1X* 5-1310X**	
1973	Caprice	Exc. Wagon; w/ Machined Yokes	D	CV	211009X		
1973-1975	Caprice	Sedan	D	5,9,10	5-3147X*	5-795X**	
1974-1976	Caprice	Exc. Wagon; w/ Inside Snap Rings	D	CV	211009X		
1976	Caprice		D	5,9,10	5-3147X*	5-795X**	
1979	Caprice		D	CV	211009X		
1982-1984	Caprice	w/ Inside Snap Rings	A	5,9	5-3147X*	5-795X**	
	Caprice	w/ Outside Snap Rings	A	5,9	5-178X*	5-1350-1X* 5-1350X**	SPL30-1350XC**
1985-1996	Caprice		A	5,9	5-3147X*	5-795X**	
1964-1970	Chevelle		A	5,9	5-153X*	5-1310-1X* 5-1310X**	
1971-1972	Chevelle	7.4L	A	5	5-3147X*	5-795X**	
	Chevelle	Exc. 7.4L	A	5,9	5-153X*	5-1310-1X* 5-1310X**	
	Chevelle	7.4L	A	9	5-212X*	5-793X**	
1973	Chevelle		A	5,9	5-3147X*	5-795X**	
1976-1987	Chevette		A	5,9	5-3254X*		
1962-1968	Chevy II		A	5,9	5-153X*	5-1310-1X* 5-1310X**	
1960-1969	Corvair		X	14	5-153X*	5-1310-1X* 5-1310X**	
1953-1962	Corvette		A	5,9	5-153X*	5-1310-1X* 5-1310X**	
1963-1967	Corvette		E	5,9	5-153X*	5-1310-1X* 5-1310X**	
1963-1982	Corvette		E	11	5-178X*	5-1350-1X* 5-1350X**	SPL30-1350XC**
1971-1979	Corvette		E	5,9	5-213X*	5-1330-1X* 5-1330X**	
1980-1981	Corvette	Standard Trans	E	5,9	5-153X*	5-1310-1X* 5-1310X**	
1980-1982	Corvette	Auto Trans	E	5,9	5-213X*	5-1330-1X* 5-1330X**	
1984-1997	Corvette		E	11		5-3615X**	
	Corvette	w/ Aluminum Yoke	E	5,9		5-3613X**	
	Corvette	w/ Steel Yoke	E	5,9	5-153X*	5-1310-1X* 5-1310X**	
1958-1964	Impala		S	5,7,9	5-153X*	5-1310-1X* 5-1310X**	
1965-1970	Impala		A	5,9	5-153X*	5-1310-1X* 5-1310X**	
1971-1975	Impala	Wagon; 1-Piece Driveshaft; w/ Inside Snap Rings	A	5,9	5-3147X*	5-795X**	
	Impala	Wagon; 1-Piece Driveshaft; w/ Outside Snap Rings	A	5,9	5-153X*	5-1310-1X* 5-1310X**	
	Impala	Exc. Wagon; 2-Piece Driveshaft	D	5,9,10	5-3147X*	5-795X**	
1973	Impala	Exc. Wagon; w/ Machined Yokes	D	CV	211009X		
1974-1976	Impala	Exc. Wagon; w/ Inside Snap Rings	D	CV	211009X		
1976	Impala	2-Piece Driveshaft	D	5,9,10	5-3147X*	5-795X**	
1977	Impala	1-Piece Driveshaft	A	5,9	5-3147X*	5-795X**	
1978-1979	Impala		A	5,9	5-3147X*	5-795X**	
1979	Impala		D	CV	211009X		
1994-1996	Impala	w/ Inside Snap Rings	A	5,9	5-3147X*	5-795X**	
	Impala	w/ Outside Snap Rings	A	5,9	5-178X*	5-1350-1X* 5-1350X**	SPL30-1350XC**
1973-1975	Laguna		A	5,9	5-3147X*	5-795X**	
1976	Laguna	w/ Inside Snap Rings	A	5,9	5-3147X*	5-795X**	

\* GREASEABLE \*\* NON-GREASEABLE





**PASSENGER**

**Chevrolet (Cont'd)**

Year	Model	Description	Fig.	Location	Spicer Part #	SPL (Uncoated) Part #	SPL (Coated) Part #
1976	Laguna	w/ Outside Snap Rings	A	5,9	5-178X*	5-1350-1X* 5-1350X**	SPL30-1350XC**
1964-1967	Malibu		A	5,9	5-153X*	5-1310-1X* 5-1310X**	
1973-1975	Malibu		A	5,9	5-3147X*	5-795X**	
1976-1983	Malibu	w/ Inside Snap Rings	A	5,9	5-3147X*	5-795X**	
	Malibu	w/ Outside Snap Rings	A	5,9	5-178X*	5-1350-1X* 5-1350X**	SPL30-1350XC**
1970	Monte Carlo		A	5,9	5-153X*	5-1310-1X* 5-1310X**	
1971-1972	Monte Carlo	7.4L	A	5	5-3147X*	5-795X**	
	Monte Carlo	5.7L; 6.6L	A	5,9	5-153X*	5-1310-1X* 5-1310X**	
	Monte Carlo	7.4L	A	9	5-212X*	5-793X**	
1973-1975	Monte Carlo		A	5,9	5-3147X*	5-795X**	
1976-1988	Monte Carlo	w/ Inside Snap Rings	A	5,9	5-3147X*	5-795X**	
	Monte Carlo	w/ Outside Snap Rings	A	5,9	5-178X*	5-1350-1X* 5-1350X**	SPL30-1350XC**
1975-1980	Monza		A	5,9	5-153X*	5-1310-1X* 5-1310X**	
1969-1979	Nova		A	5,9	5-153X*	5-1310-1X* 5-1310X**	
1971-1977	Vega		A	5,9	5-153X*	5-1310-1X* 5-1310X**	

**Chrysler**

Year	Model	Description	Fig.	Location	Spicer Part #	SPL (Uncoated) Part #	SPL (Coated) Part #
1958-1964	300		A	9	5-3228X*	5-789X**	
1965	300	Standard Trans	A	9	5-3228X*	5-789X**	
1987-1989	Conquest		A	5,9	5-3217X*		
1975-1978	Cordoba	w/ 2.125" Snap Ring	A	5,9	5-3228X*	5-789X**	
	Cordoba	w/ 2.625" Snap Ring	A	5,9	5-1309X*	5-811X**	
1979-1983	Cordoba		A	5,9	5-3228X*	5-789X**	
1983-1989	Fifth Avenue		A	5,9	5-3228X*	5-789X**	
1957	Imperial		S	7	5-3228X*	5-789X**	
1958	Imperial		S	7,9	5-3228X*	5-789X**	
1959	Imperial	1-Piece Driveshaft	A	5,9	5-3228X*	5-789X**	
	Imperial	2-Piece Driveshaft	S	7,9	5-3228X*	5-789X**	
1960-1964	Imperial		A	5,9	5-3228X*	5-789X**	

\* GREASEABLE \*\* NON-GREASEABLE

**Chrysler (Cont'd)**

Year	Model	Description	Fig.	Location	Spicer Part #	SPL (Uncoated) Part #	SPL (Coated) Part #
1965-1969	Imperial		A	5,9	5-213X*	5-1330-1X* 5-1330X**	
1970-1973	Imperial	w/ Inside Snap Rings	A	5,9	5-1309X*	5-811X**	
	Imperial	w/ Outside Snap Rings	H	5,6,9,10	5-213X*	5-1330-1X* 5-1330X**	
1974-1975	Imperial		A	5,9	5-1309X*	5-811X**	
1981-1983	Imperial		A	5,9	5-3228X*	5-789X**	
1977-1981	LeBaron		A	5,9	5-3228X*	5-789X**	
1958-1966	New Yorker		A	9	5-3228X*	5-789X**	
1965-1966	New Yorker		A	5	5-213X*	5-1330-1X* 5-1330X**	
1967	New Yorker	w/ Inside Snap Rings	A	5,9	5-3228X*	5-789X**	
	New Yorker	w/ Outside Snap Rings	A	5,9	5-213X*	5-1330-1X* 5-1330X**	
1975-1976	New Yorker	6.6L; w/ 2.125" Snap Ring	A	5,9	5-3228X*	5-789X**	
	New Yorker	6.6L; w/ 2.625" Snap Ring	A	5,9	5-1309X*	5-811X**	
	New Yorker	7.2L	A	5,9	5-1309X*	5-811X**	
1977	New Yorker		A	5,9	5-1309X*	5-811X**	
1978	New Yorker	w/ 2.125" Snap Ring	A	5,9	5-3228X*	5-789X**	
	New Yorker	w/ 2.625" Snap Ring	A	5,9	5-1309X*	5-811X**	
1979-1982	New Yorker		A	5,9	5-3228X*	5-789X**	
1958-1964	Newport		A	9	5-3228X*	5-789X**	
1965-1967	Newport	w/ Inside Snap Rings	A	5,9	5-3228X*	5-789X**	
	Newport	w/ Outside Snap Rings	A	5,9	5-213X*	5-1330-1X* 5-1330X**	
1968-1974	Newport	w/ 2.125" Snap Ring	A	5,9	5-3228X*	5-789X**	
	Newport	w/ 2.625" Snap Ring	A	5,9	5-1309X*	5-811X**	
1975-1981	Newport		A	5,9	5-3228X*	5-789X**	
1958-1960	Saratoga		A	9	5-3228X*	5-789X**	
1958-1961	Windsor		A	9	5-3228X*	5-789X**	

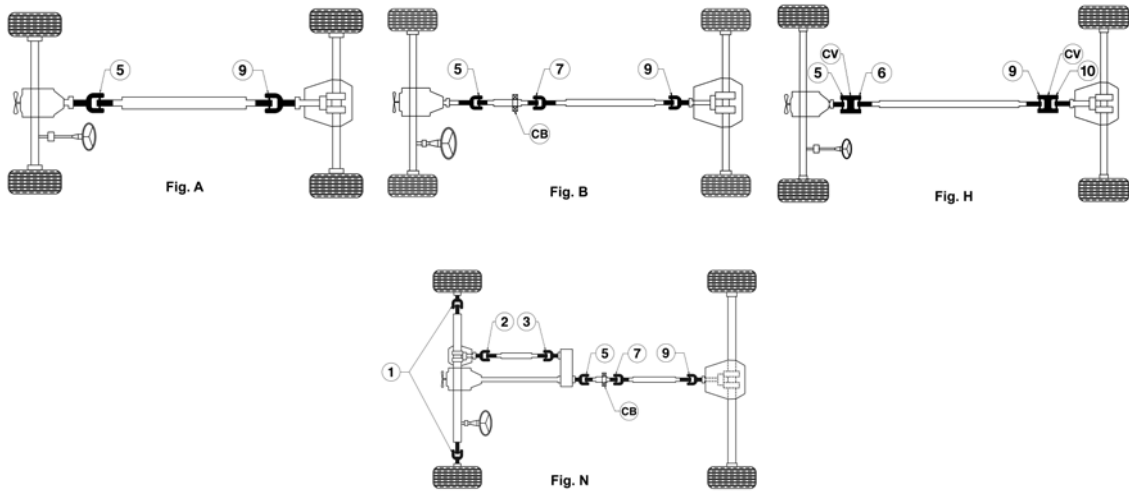
**Daimler**

Year	Model	Description	Fig.	Location	Spicer Part #	SPL (Uncoated) Part #	SPL (Coated) Part #
1965-1969	250		A	5,9	5-153X*	5-1310-1X* 5-1310X**	
1956-1959	DK400	Includes DK400B	A	5,9	5-178X*	5-1350-1X* 5-1350X**	SPL30-1350XC**
1963-1967	SP250		A	5,9	5-153X*	5-1310-1X* 5-1310X**	

**Dodge**

Year	Model	Description	Fig.	Location	Spicer Part #	SPL (Uncoated) Part #	SPL (Coated) Part #
1976-1980	Aspen		A	5,9	5-3228X*	5-789X**	
1970-1972	Challenger	w/ 2.125" Snap Ring	A	5,9	5-3228X*	5-789X**	
	Challenger	w/ 2.625" Snap Ring	A	5,9	5-1309X*	5-811X**	
1973-1974	Challenger		A	5,9	5-3228X*	5-789X**	
1978-1980	Challenger		A	5,9	5-3217X*		
1981-1983	Challenger	Auto Trans	B	5,7,9	5-1503X*		
	Challenger	Standard Trans	B	5,7,9	5-3217X*		
1966	Charger	5.2L; 5.9L; 6.3L	A	5,9	5-3228X*	5-789X**	
1966-1967	Charger	7.0L; w/ Inside Snap Rings	A	5,9	5-1309X*	5-811X**	
	Charger	7.0L; w/ Outside Snap Rings	A	5,9	5-213X*	5-1330-1X* 5-1330X**	
1967	Charger	4.5L; 5.2L; 6.3L	A	5,9	5-3228X*	5-789X**	
1968-1978	Charger	w/ 2.125" Snap Ring	A	5,9	5-3228X*	5-789X**	
	Charger	w/ 2.625" Snap Ring	A	5,9	5-1309X*	5-811X**	
1971-1977	Colt		A	5,9	5-1503X*		
1978-1979	Colt	Sedan	A	5,9	5-1503X*		
1978-1980	Colt	Wagon	A	5,9	5-3217X*		

\* GREASEABLE \*\* NON-GREASEABLE



**PASSENGER**

**Dodge (Cont'd)**

Year	Model	Description	Fig.	Location	Spicer Part #	SPL (Uncoated) Part #	SPL (Coated) Part #
1985-1990	Colt		N	5,7,9	5-1503X*		
1984-1986	Conquest		A	5,9	5-3217X*		
1958-1959	Coronet		A	9	5-3228X*	5-789X**	
1965	Coronet	5.2L; 5.9L; 6.3L; 7.0L	A	5	5-3228X*	5-789X**	
	Coronet	3.7L; 4.5L; 5.2L; 5.9L; 6.3L; 7.0L	A	9	5-3228X*	5-789X**	
1966	Coronet	3.7L; 4.5L; 5.2L; 5.9L; 6.3L	A	5,9	5-3228X*	5-789X**	
	Coronet	7.0L; 7.2L; w/ Inside Snap Rings	A	5,9	5-1309X*	5-811X**	
1966-1967	Coronet	7.0L; 7.2L; w/ Outside Snap Rings	A	5,9	5-213X*	5-1330-1X* 5-1330X**	
	Coronet	3.7L; 4.5L; 5.2L; 6.3L	A	5,9	5-3228X*	5-789X**	
1968-1976	Coronet	w/ 2.125" Snap Ring	A	5,9	5-3228X*	5-789X**	
	Coronet	w/ 2.625" Snap Ring	A	5,9	5-1309X*	5-811X**	
1960-1965	Dart		A	9	5-3228X*	5-789X**	
1968-1969	Dart	w/ 2.125" Snap Ring	A	5,9	5-3228X*	5-789X**	
	Dart	w/ 2.625" Snap Ring	A	5,9	5-1309X*	5-811X**	
1970-1976	Dart		A	5,9	5-3228X*	5-789X**	
1977-1989	Diplomat		A	5,9	5-3228X*	5-789X**	
1978	Magnum	w/ 2.125" Snap Ring	A	5,9	5-3228X*	5-789X**	
	Magnum	w/ 2.625" Snap Ring	A	5,9	5-1309X*	5-811X**	
1979	Magnum		A	5,9	5-3228X*	5-789X**	
1965	Monaco	Auto Trans	A	5,9	5-3228X*	5-789X**	
1966-1967	Monaco	6.3L	A	5,9	5-3228X*	5-789X**	
	Monaco	7.2L; w/ Inside Snap Rings	A	5,9	5-1309X*	5-811X**	
	Monaco	7.2L; w/ Outside Snap Rings	A	5,9	5-213X*	5-1330-1X* 5-1330X**	
1968-1978	Monaco	w/ 2.125" Snap Ring	A	5,9	5-3228X*	5-789X**	
	Monaco	w/ 2.625" Snap Ring	A	5,9	5-1309X*	5-811X**	
1975-1977	Royal Monaco	w/ 2.125" Snap Ring	A	5,9	5-3228X*	5-789X**	
	Royal Monaco	w/ 2.625" Snap Ring	A	5,9	5-1309X*	5-811X**	
1992-1999	Viper		A	5,9	5-178X*	5-1350-1X* 5-1350X**	SPL30-1350XC**
2000	Viper	Exc. Base; 1-Piece Driveshaft	A	5,9	5-178X*	5-1350-1X* 5-1350X**	SPL30-1350XC**
2015-2017	Viper	1-Piece Driveshaft	A	5,9	5-178X*	5-1350-1X* 5-1350X**	SPL30-1350XC**

\* GREASEABLE \*\* NON-GREASEABLE

**Eagle**

Year	Model	Description	Fig.	Location	Spicer Part #	SPL (Uncoated) Part #	SPL (Coated) Part #
1991-1993	2000 GTX	1-Piece Driveshaft	A	5,9	5-1503X*		
	2000 GTX	2-Piece Driveshaft	S	5,7,9	5-1503X*		
1992-1995	Summit	Wagon; 1-Piece Driveshaft	A	5,9	5-1503X*		
1990-1995	Talon	2-Piece Driveshaft	S	5,7,9	5-1503X*		

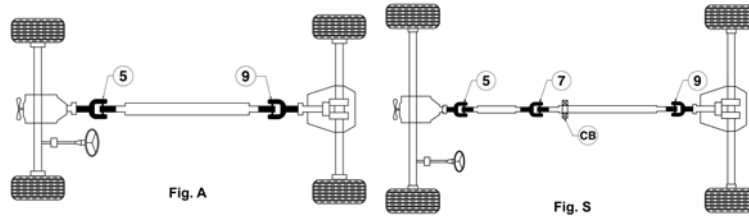
**Fiat**

Year	Model	Description	Fig.	Location	Spicer Part #	SPL (Uncoated) Part #	SPL (Coated) Part #
1965-1967	1100	After Serial # 52603	A	5,9	5-101X**		
1966-1980	124		A	5,9	5-101X**		
1975-1978	131		A	5,9	5-101X**		
1965-1967	1500		A	5,9	5-101X**		

**Ford**

Year	Model	Description	Fig.	Location	Spicer Part #	SPL (Uncoated) Part #	SPL (Coated) Part #
1959-1968	Anglia		A	5,9	5-101X**		
1962-1964	Consul		A	5,9	5-101X**		
1963-1970	Cortina		A	5,9	5-101X**		
1950-1958	Country Sedan	w/ Inside Snap Rings	A	9	5-2031X*		
1950-1960	Country Sedan	w/ Inside Snap Rings	A	5	5-3242X*		
	Country Sedan	w/ Outside Snap Rings	A	5,9	5-153X*	5-1310-1X* 5-1310X**	
1959-1960	Country Sedan	w/ Inside Snap Rings	A	9	5-2140X*		
1961-1962	Country Sedan		A	5	5-1200X*		
	Country Sedan		A	9		5-7439X**	
1963-1964	Country Sedan	3.6L; 4.3L; 4.7L	A	5	5-1200X*		
	Country Sedan	3.6L; 4.3L; 4.7L	A	9		5-7439X**	
1963-1965	Country Sedan	5.8L	A	5		5-7439X**	
	Country Sedan	6.4L; 7.0L	A	5	5-1203X*		
	Country Sedan	6.4L; 7.0L	A	9	5-1204X*	5-7438X**	
1965	Country Sedan	2.8L; 3.3L; 3.9L; 4.3L; 4.7L	A	5	5-1200X*		
	Country Sedan	2.8L; 3.3L; 3.9L; 4.3L; 4.7L	A	9		5-7439X**	
1966-1974	Country Sedan	w/ 3.500" O.D. Yoke	A	5	5-153X*	5-1310-1X* 5-1310X**	
	Country Sedan	w/ 3.875" O.D. Yoke	A	5	5-213X*	5-1330-1X* 5-1330X**	
	Country Sedan	w/ 3.500" O.D. Yoke	A	9		5-7439X**	
	Country Sedan	w/ 3.875" O.D. Yoke	A	9	5-1204X*	5-7438X**	
1950-1958	Country Squire	w/ Inside Snap Rings	A	9	5-2031X*		
1950-1960	Country Squire	w/ Inside Snap Rings	A	5	5-3242X*		
	Country Squire	w/ Outside Snap Rings	A	5,9	5-153X*	5-1310-1X* 5-1310X**	
1959-1960	Country Squire	w/ Inside Snap Rings	A	9	5-2140X*		
1961-1962	Country Squire		A	5	5-1200X*		
	Country Squire		A	9		5-7439X**	
1963	Country Squire	3.6L; 4.3L; 4.7L; 5.8L; 6.4L; 6.6L; 7.0L; To 5/63	A	5	5-1200X*		
	Country Squire	6.4L; 6.6L; 7.0L; From 6/63	A	5	5-1203X*		
	Country Squire	3.6L; 4.3L; 4.7L; 5.8L; 6.4L; 6.6L; 7.0L; To 5/63	A	9		5-7439X**	
	Country Squire	6.4L; 6.6L; 7.0L; From 6/63	A	9	5-1204X*	5-7438X**	
1964	Country Squire	3.6L; 4.3L; 4.7L; 5.8L	A	5	5-1200X*		
	Country Squire	3.6L; 4.3L; 4.7L; 5.8L	A	9		5-7439X**	
1964-1965	Country Squire	6.4L; 7.0L	A	5	5-1203X*		
	Country Squire	6.4L; 7.0L	A	9	5-1204X*	5-7438X**	
1965	Country Squire	2.8L; 3.3L; 3.9L; 4.3L; 4.7L; 5.8L	A	5	5-1200X*		
	Country Squire	2.8L; 3.3L; 3.9L; 4.3L; 4.7L; 5.8L	A	9		5-7439X**	
1966-1974	Country Squire	w/ 3.500" O.D. Yoke	A	5	5-153X*	5-1310-1X* 5-1310X**	

\* GREASEABLE \*\* NON-GREASEABLE



**Ford (Cont'd)**

Year	Model	Description	Fig.	Location	Spicer Part #	SPL (Uncoated) Part #	SPL (Coated) Part #
1966-1974	Country Squire	w/ 3.875" O.D. Yoke	A	5	5-213X*	5-1330-1X* 5-1330X**	
	Country Squire	w/ 3.500" O.D. Yoke	A	9		5-7439X**	
	Country Squire	w/ 3.875" O.D. Yoke	A	9	5-1204X*	5-7438X**	
1950-1954	Crestline	w/ Inside Snap Rings	A	5	5-3242X*		
	Crestline	w/ Outside Snap Rings	A	5,9	5-153X*	5-1310-1X* 5-1310X**	
	Crestline	w/ Inside Snap Rings	A	9	5-2031X*		
1992-1994	Crown Victoria	w/ Trailer Towing Package	A	5,9	5-1203X*		
	Crown Victoria	w/o Trailer Towing Package	A	5,9	5-153X*	5-1310-1X* 5-1310X**	
1995-1999	Crown Victoria		A	5,9	5-213X*	5-1330-1X* 5-1330X**	
2000-2002	Crown Victoria	1-Piece Driveshaft	A	5,9	5-213X*	5-1330-1X* 5-1330X**	
2003	Crown Victoria	Exc. Police Interceptor; 1-Piece Driveshaft; Aluminum Driveshaft	A	5,9	5-178X*	5-1350-1X* 5-1350X**	SPL30-1350XC**
	Crown Victoria	Exc. Police Interceptor; 1-Piece Driveshaft; Exc. Aluminum Driveshaft	A	5,9	5-3253X*		
	Crown Victoria	Police Interceptor; 1-Piece Driveshaft	A	5,9	5-213X*	5-1330-1X* 5-1330X**	
2004	Crown Victoria	1-Piece Driveshaft; Aluminum Driveshaft	A	5,9	5-178X*	5-1350-1X* 5-1350X**	SPL30-1350XC**
2004-2005	Crown Victoria	1-Piece Driveshaft; Exc. Aluminum Driveshaft	A	5,9	5-3253X*		
2005	Crown Victoria	1-Piece Driveshaft; Aluminum Driveshaft; Optional	A	5	5-178X*	5-1350-1X* 5-1350X**	SPL30-1350XC**
2006	Crown Victoria	1-Piece Driveshaft; From 06/19/2006	A	5	5-178X*	5-1350-1X* 5-1350X**	SPL30-1350XC**
	Crown Victoria	1-Piece Driveshaft; To 06/19/2006	A	9	5-3253X*		
2007-2011	Crown Victoria	1-Piece Driveshaft	A	5,9	5-178X*	5-1350-1X* 5-1350X**	SPL30-1350XC**
1957	Custom	w/ Inside Snap Rings	A	5	5-3242X*		
	Custom	w/ Outside Snap Rings	A	5,9	5-153X*	5-1310-1X* 5-1310X**	
	Custom	w/ Inside Snap Rings	A	9	5-2031X*		
1964	Custom	3.6L; 4.3L; 4.7L; 5.8L	A	5	5-1200X*		
	Custom	3.6L; 4.3L; 4.7L; 5.8L	A	9		5-7439X**	
1964-1965	Custom	6.4L; 7.0L	A	5	5-1203X*		
	Custom	6.4L; 7.0L	A	9	5-1204X*	5-7438X**	
1965	Custom	3.9L; 4.3L; 4.7L; 5.8L	A	5	5-1200X*		
	Custom	3.9L; 4.3L; 4.7L; 5.8L	A	9		5-7439X**	
1966-1972	Custom	w/ 3.500" O.D. Yoke	A	5	5-153X*	5-1310-1X* 5-1310X**	
	Custom	w/ 3.875" O.D. Yoke	A	5	5-213X*	5-1330-1X* 5-1330X**	
	Custom	w/ 3.500" O.D. Yoke	A	9		5-7439X**	
	Custom	w/ 3.875" O.D. Yoke	A	9	5-1204X*	5-7438X**	
1957-1959	Custom 300		A	5	5-153X*	5-1310-1X* 5-1310X**	
	Custom 300	w/ 2 Inside Snap Rings & 2 Wing Bearings	A	9	5-2031X*		

\* GREASEABLE \*\* NON-GREASEABLE

**Ford (Cont'd)**

PASSENGER

Year	Model	Description	Fig.	Location	Spicer Part #	SPL (Uncoated) Part #	SPL (Coated) Part #
1957-1959	Custom 300	w/ Outside Snap Rings	A	9	5-153X*	5-1310-1X* 5-1310X**	
1960	Custom 300		A	5,9	5-153X*	5-1310-1X* 5-1310X**	
1964	Custom 500	4.3L; 4.7L; 5.8L	A	5	5-1200X*		
	Custom 500	6.4L	A	5	5-1203X*		
	Custom 500	4.3L; 4.7L; 5.8L	A	9		5-7439X**	
	Custom 500	6.4L	A	9	5-1204X*	5-7438X**	
1965	Custom 500	7.0L	A	5	5-1203X*		
	Custom 500	7.0L	A	9	5-1204X*	5-7438X**	
1965-1966	Custom 500	3.9L; 4.7L; 5.8L	A	5	5-1200X*		
	Custom 500	3.9L; 4.7L; 5.8L	A	9		5-7439X**	
1966-1969	Custom 500	6.4L; 7.0L	A	5	5-1203X*		
1966-1970	Custom 500	6.4L; 7.0L	A	9	5-1204X*	5-7438X**	
1967	Custom 500	3.9L; 4.7L	A	5	5-1200X*		
	Custom 500	3.9L; 4.7L	A	9		5-7439X**	
1968	Custom 500	3.9L; 5.0L	A	5	5-1200X*		
	Custom 500	3.9L; 5.0L	A	9		5-7439X**	
1969	Custom 500	3.9L; 5.0L; 5.8L	A	5	5-1200X*		
1969-1972	Custom 500	3.9L; 5.0L; 5.8L	A	9		5-7439X**	
1970	Custom 500	6.4L; 7.0L	A	5	5-213X*	5-1330-1X* 5-1330X**	
1970-1972	Custom 500	3.9L; 5.0L; 5.8L	A	5	5-153X*	5-1310-1X* 5-1310X**	
1971-1972	Custom 500	6.6L	A	5	5-213X*	5-1330-1X* 5-1330X**	
	Custom 500	6.6L	A	9	5-1204X*	5-7438X**	
1975-1976	Custom 500	5.8L; 6.6L; 7.5L; w/ 3.875" O.D. Yoke	A	5	5-213X*	5-1330-1X* 5-1330X**	
	Custom 500	5.8L; 6.6L; 7.5L; w/ 3.875" O.D. Yoke	A	9	5-1204X*	5-7438X**	
1975-1977	Custom 500	5.8L; w/ 3.500" O.D. Yoke	A	5	5-153X*	5-1310-1X* 5-1310X**	
	Custom 500	5.8L; w/ 3.500" O.D. Yoke	A	9		5-7439X**	
1977	Custom 500	5.8L; 6.6L; w/ 3.875" O.D. Yoke	A	5	5-213X*	5-1330-1X* 5-1330X**	
	Custom 500	5.8L; 6.6L; w/ 3.875" O.D. Yoke	A	9	5-1204X*	5-7438X**	
1952-1956	Customline	w/ Inside Snap Rings	A	5	5-3242X*		
	Customline	w/ 2 Inside Snap Rings & 2 Wing Bearings	A	9	5-2031X*		
1956	Customline	w/ Outside Snap Rings	A	5,9	5-153X*	5-1310-1X* 5-1310X**	
1949-1951	Deluxe	w/ Inside Snap Rings	A	5	5-3242X*		
	Deluxe	w/ Outside Snap Rings	A	5,9	5-153X*	5-1310-1X* 5-1310X**	
	Deluxe	w/ Inside Snap Rings	A	9	5-2031X*		
1975-1976	Elite	5.8L; w/ 3.500" O.D. Yoke	A	5	5-153X*	5-1310-1X* 5-1310X**	
	Elite	5.8L; w/ 3.875" O.D. Yoke	A	5	5-213X*	5-1330-1X* 5-1330X**	
	Elite	6.6L; 7.5L	A	5	5-213X*	5-1330-1X* 5-1330X**	
	Elite	5.8L; w/ 3.500" O.D. Yoke	A	9		5-7439X**	
	Elite	5.8L; w/ 3.875" O.D. Yoke	A	9	5-1204X*	5-7438X**	
	Elite	6.6L; 7.5L	A	9	5-1204X*	5-7438X**	
	Elite	6.6L; 7.5L	A	9	5-1204X*	5-7438X**	
1955-1958	Fairlane	w/ Inside Snap Rings	A	9	5-2031X*		
1955-1960	Fairlane	w/ Inside Snap Rings	A	5	5-3242X*		
	Fairlane	w/ Outside Snap Rings	A	5,9	5-153X*	5-1310-1X* 5-1310X**	
1959-1960	Fairlane	w/ Inside Snap Rings	A	9	5-2140X*		
1961-1962	Fairlane		A	5	5-1200X*		
	Fairlane		A	9		5-7439X**	
1963	Fairlane	2.8L; 3.3L; 3.6L; 4.3L; 4.7L; 5.8L	A	5	5-1200X*		

\* GREASEABLE \*\* NON-GREASEABLE

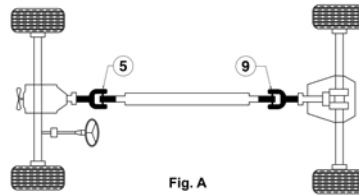


Fig. A

**Ford (Cont'd)**

Year	Model	Description	Fig.	Location	Spicer Part #	SPL (Uncoated) Part #	SPL (Coated) Part #
1963	Fairlane	6.4L; From 6/63	A	5	5-1203X*		
	Fairlane	6.4L; To 5/63	A	5	5-1200X*		
	Fairlane	2.8L; 3.3L; 3.6L; 4.3L; 4.7L; 5.8L	A	9		5-7439X**	
	Fairlane	6.4L; From 6/63	A	9	5-1204X*	5-7438X**	
	Fairlane	6.4L; To 5/63	A	9		5-7439X**	
1964	Fairlane	2.8L; 3.3L; 4.3L; 4.7L; 5.8L	A	5	5-1200X*		
	Fairlane	2.8L; 3.3L; 4.3L; 4.7L; 5.8L	A	9		5-7439X**	
1964-1965	Fairlane	6.4L; 7.0L	A	5	5-1203X*		
	Fairlane	6.4L; 7.0L	A	9	5-1204X*	5-7438X**	
1965	Fairlane	2.8L; 3.3L; 4.7L; 5.8L	A	5	5-1200X*		
	Fairlane	2.8L; 3.3L; 4.7L; 5.8L	A	9		5-7439X**	
1966-1970	Fairlane	w/ 3.500" O.D. Yoke	A	5	5-153X*	5-1310-1X*	5-1310X**
	Fairlane	w/ 3.875" O.D. Yoke	A	5	5-213X*	5-1330-1X*	5-1330X**
	Fairlane	w/ 3.500" O.D. Yoke	A	9		5-7439X**	
	Fairlane	w/ 3.875" O.D. Yoke	A	9	5-1204X*	5-7438X**	
1978-1983	Fairmont		A	5,9	5-153X*	5-1310-1X*	5-1310X**
1960-1962	Falcon		A	5,9	5-105X*		
1963-1964	Falcon	w/ Inside & Outside Snap Rings	A	5	5-1200X*		
	Falcon	w/ Inside Snap Rings	A	5,9	5-105X*		
	Falcon	w/ Inside & Outside Snap Rings	A	9		5-7439X**	
1965-1967	Falcon	4.7L; w/ Inside & Outside Snap Rings	A	5	5-1200X*		
	Falcon	4.7L; w/ Inside Snap Rings	A	5,9	5-105X*		
	Falcon	4.7L; w/ Inside & Outside Snap Rings	A	9		5-7439X**	
1965-1968	Falcon	3.3L; w/ Inside & Outside Snap Rings	A	5	5-1200X*		
	Falcon	2.8L	A	5,9	5-105X*		
	Falcon	3.3L; w/ Inside Snap Rings	A	5,9	5-105X*		
	Falcon	3.3L; w/ Inside & Outside Snap Rings	A	9		5-7439X**	
1968	Falcon	4.7L	A	5	5-1200X*		
	Falcon	5.0L	A	5	5-1200X*		
	Falcon	4.7L	A	9		5-7439X**	
	Falcon	5.0L	A	9		5-7439X**	
1969-1970	Falcon		A	5	5-153X*	5-1310-1X*	5-1310X**
	Falcon		A	9		5-7439X**	
1959-1960	Galaxie	w/ Inside Snap Rings	A	5	5-3242X*		
	Galaxie	w/ Outside Snap Rings	A	5,9	5-153X*	5-1310-1X*	5-1310X**
	Galaxie	w/ Inside Snap Rings	A	9	5-2140X*		
1961-1962	Galaxie		A	5	5-1200X*		
	Galaxie		A	9		5-7439X**	
1963	Galaxie	3.3L; 3.6L; 4.3L; 4.7L; 5.8L	A	5	5-1200X*		
	Galaxie	6.4L; From 6/63	A	5	5-1203X*		
	Galaxie	6.4L; To 5/63	A	5	5-1200X*		
	Galaxie	3.3L; 3.6L; 4.3L; 4.7L; 5.8L	A	9		5-7439X**	
	Galaxie	6.4L; From 6/63	A	9	5-1204X*	5-7438X**	
	Galaxie	6.4L; To 5/63	A	9		5-7439X**	

\* GREASEABLE \*\* NON-GREASEABLE

**Ford (Cont'd)**

PASSENGER

Year	Model	Description	Fig.	Location	Spicer Part #	SPL (Uncoated) Part #	SPL (Coated) Part #	
1964	Galaxie	3.6L; 4.3L; 4.7L; 5.8L	A	5	5-1200X*			
	Galaxie	3.6L; 4.3L; 4.7L; 5.8L	A	9		5-7439X**		
1964-1965	Galaxie	6.4L; 7.0L	A	5	5-1203X*			
	Galaxie	6.4L; 7.0L	A	9	5-1204X*	5-7438X**		
1965	Galaxie	3.9L; 4.7L; 5.8L	A	5	5-1200X*			
	Galaxie	3.9L; 4.7L; 5.8L	A	9		5-7439X**		
1966-1967	Galaxie	w/ 3.500" O.D. Yoke	A	5	5-153X*	5-1310-1X*	5-1310X**	
	Galaxie	w/ 3.875" O.D. Yoke	A	5	5-213X*	5-1330-1X*	5-1330X**	
	Galaxie	w/ 3.500" O.D. Yoke	A	9		5-7439X**		
	Galaxie	w/ 3.875" O.D. Yoke	A	9	5-1204X*	5-7438X**		
1962	Galaxie 500	3.7L; Exc. Overdrive	A	5	5-1200X*			
	Galaxie 500	3.7L; Overdrive	A	5	5-1203X*			
	Galaxie 500	4.8L; Exc. Overdrive	A	5	5-1200X*			
	Galaxie 500	4.8L; Overdrive	A	5	5-1203X*			
	Galaxie 500	5.8L; Exc. Overdrive	A	5	5-1200X*			
	Galaxie 500	5.8L; Overdrive	A	5	5-1203X*			
	Galaxie 500	6.4L; Exc. Overdrive	A	5	5-1200X*			
	Galaxie 500	6.4L; Overdrive	A	5	5-1203X*			
	Galaxie 500	6.7L; Exc. Overdrive	A	5	5-1200X*			
	Galaxie 500	6.7L; Overdrive	A	5	5-1203X*			
	Galaxie 500	3.7L; Exc. Overdrive	A	9		5-7439X**		
	Galaxie 500	3.7L; Overdrive	A	9	5-1204X*	5-7438X**		
	Galaxie 500	4.8L; Exc. Overdrive	A	9		5-7439X**		
	Galaxie 500	4.8L; Overdrive	A	9	5-1204X*	5-7438X**		
	Galaxie 500	5.8L; Exc. Overdrive	A	9		5-7439X**		
	Galaxie 500	5.8L; Overdrive	A	9	5-1204X*	5-7438X**		
	Galaxie 500	6.4L; Exc. Overdrive	A	9		5-7439X**		
	Galaxie 500	6.4L; Overdrive	A	9	5-1204X*	5-7438X**		
	Galaxie 500	6.7L; Exc. Overdrive	A	9		5-7439X**		
	Galaxie 500	6.7L; Overdrive	A	9	5-1204X*	5-7438X**		
	1963-1967	Galaxie 500	4.7L	A	5	5-1200X*		
		Galaxie 500	4.7L	A	9		5-7439X**	
1963-1971	Galaxie 500	6.4L	A	5	5-1203X*			
	Galaxie 500	6.4L	A	9	5-1204X*	5-7438X**		
1965-1968	Galaxie 500	7.0L	A	5	5-1203X*			
	Galaxie 500	7.0L	A	9	5-1204X*	5-7438X**		
1965-1972	Galaxie 500	3.9L	A	5	5-1200X*			
	Galaxie 500	3.9L	A	9		5-7439X**		
1968-1972	Galaxie 500	5.0L	A	5	5-1200X*			
	Galaxie 500	5.0L	A	9		5-7439X**		
1969-1972	Galaxie 500	5.8L	A	5	5-153X*	5-1310-1X*	5-1310X**	
	Galaxie 500	5.8L	A	9		5-7439X**		
1971-1974	Galaxie 500	6.6L	A	5	5-1203X*			
	Galaxie 500	6.6L	A	9	5-1204X*	5-7438X**		
1973-1974	Galaxie 500	5.8L; w/ 3.219" Yoke	A	5	5-1200X*			
	Galaxie 500	5.8L; w/ 3.625" Yoke	A	5	5-1203X*			
	Galaxie 500	7.5L	A	5	5-1203X*			
	Galaxie 500	5.8L; w/ 3.219" Yoke	A	9		5-7439X**		
	Galaxie 500	5.8L; w/ 3.625" Yoke	A	9	5-1204X*	5-7438X**		
	Galaxie 500	7.5L	A	9	5-1204X*	5-7438X**		
1975-1977	Granada	w/ 3.500" O.D. Yoke	A	5	5-153X*	5-1310-1X*	5-1310X**	
	Granada	w/ 3.875" O.D. Yoke	A	5	5-213X*	5-1330-1X*	5-1330X**	
	Granada	w/ 3.500" O.D. Yoke	A	9		5-7439X**		
	Granada	w/ 3.875" O.D. Yoke	A	9	5-1204X*	5-7438X**		

\* GREASEABLE \*\* NON-GREASEABLE



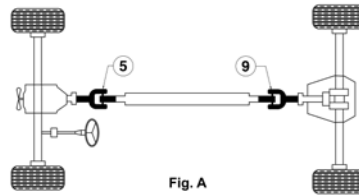


Fig. A

**Ford (Cont'd)**

Year	Model	Description	Fig.	Location	Spicer Part #	SPL (Uncoated) Part #	SPL (Coated) Part #
1978-1980	Granada		A	5	5-153X*	5-1310-1X* 5-1310X**	
	Granada		A	9		5-7439X**	
1981-1982	Granada		A	5,9	5-153X*	5-1310-1X* 5-1310X**	
1965	LTD	6.4L; 7.0L	A	5	5-1203X*		
	LTD	6.4L; 7.0L	A	9	5-1204X*	5-7438X**	
1966-1974	LTD	w/ 3.500" O.D. Yoke	A	5	5-153X*	5-1310-1X* 5-1310X**	
	LTD	w/ 3.875" O.D. Yoke	A	5	5-213X*	5-1330-1X* 5-1330X**	
	LTD	w/ 3.500" O.D. Yoke	A	9		5-7439X**	
	LTD	w/ 3.875" O.D. Yoke	A	9	5-1204X*	5-7438X**	
1975-1978	LTD	5.8L; w/ 3.500" O.D. Yoke	A	5	5-153X*	5-1310-1X* 5-1310X**	
	LTD	5.8L; w/ 3.875" O.D. Yoke	A	5	5-213X*	5-1330-1X* 5-1330X**	
	LTD	6.6L; 7.5L	A	5	5-213X*	5-1330-1X* 5-1330X**	
	LTD	5.8L; w/ 3.500" O.D. Yoke	A	9		5-7439X**	
	LTD	5.8L; w/ 3.875" O.D. Yoke	A	9	5-1204X*	5-7438X**	
1978	LTD	6.6L; 7.5L	A	9	5-1204X*	5-7438X**	
	LTD	5.0L	A	5	5-153X*	5-1310-1X* 5-1310X**	
	LTD	5.0L	A	9		5-7439X**	
1979-1986	LTD	w/ 3.500" O.D. Yoke	A	5,9	5-153X*	5-1310-1X* 5-1310X**	
	LTD	w/ 3.875" O.D. Yoke	A	5,9	5-213X*	5-1330-1X* 5-1330X**	
1987-1991	LTD Crown Victoria	w/ 3.500" O.D. Yoke	A	5,9	5-153X*	5-1310-1X* 5-1310X**	
	LTD Crown Victoria	w/ 3.875" O.D. Yoke	A	5,9	5-213X*	5-1330-1X* 5-1330X**	
1977-1978	LTD II		A	5	5-213X*	5-1330-1X* 5-1330X**	
	LTD II		A	9	5-1204X*	5-7438X**	
1979	LTD II	w/ Inside Snap Rings	A	5	5-3147X*	5-795X**	
	LTD II	w/ Outside Snap Rings	A	5	5-213X*	5-1330-1X* 5-1330X**	
	LTD II	w/ Inside Snap Rings	A	9	5-3255X*		
	LTD II	w/ Outside Snap Rings	A	9	5-1204X*	5-7438X**	
1952-1956	Mainline	w/ Inside Snap Rings	A	5	5-3242X*		
	Mainline	w/ Outside Snap Rings	A	5,9	5-153X*	5-1310-1X* 5-1310X**	
	Mainline	w/ Inside Snap Rings	A	9	5-2031X*		
1970-1977	Maverick		A	5	5-153X*	5-1310-1X* 5-1310X**	
	Maverick		A	9		5-7439X**	
1964-1965	Mustang	4.3L; 4.7L; w/ Inside Snap Rings	A	5	5-3242X*		
	Mustang	4.3L; 4.7L; w/ Outside Snap Rings	A	5	5-153X*	5-1310-1X* 5-1310X**	

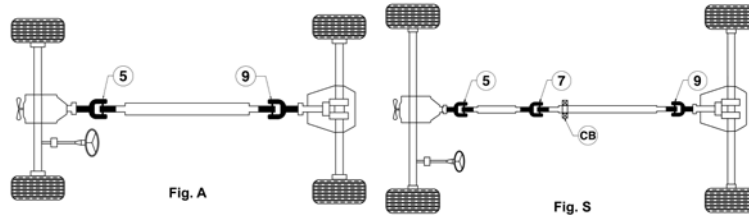
\* GREASEABLE \*\* NON-GREASEABLE

**Ford (Cont'd)**

PASSENGER

Year	Model	Description	Fig.	Location	Spicer Part #	SPL (Uncoated) Part #	SPL (Coated) Part #
1964-1965	Mustang	2.8L; 3.3L; Standard Trans	A	5,9	5-105X*		
	Mustang	4.3L; 4.7L; w/ Inside Snap Rings	A	9	5-2173X*		
	Mustang	4.3L; 4.7L; w/ Outside Snap Rings	A	9		5-7439X**	
1964-1966	Mustang	3.3L; Auto Trans; w/ Inside Snap Rings	A	5	5-3242X*		
	Mustang	3.3L; Auto Trans; w/ Outside Snap Rings	A	5	5-153X*	5-1310-1X*	5-1310X**
	Mustang	3.3L; Auto Trans; w/ Inside Snap Rings	A	9	5-2173X*		
1966	Mustang	3.3L; Auto Trans; w/ Outside Snap Rings	A	9		5-7439X**	
	Mustang	4.7L; w/ Inside Snap Rings	A	5	5-3242X*		
	Mustang	4.7L; w/ Outside Snap Rings	A	5	5-153X*	5-1310-1X*	5-1310X**
1966-1967	Mustang	4.7L; w/ Inside Snap Rings	A	9	5-2173X*		
	Mustang	4.7L; w/ Outside Snap Rings	A	9		5-7439X**	
	Mustang	3.3L; Standard Trans	A	5,9	5-105X*		
1967	Mustang	3.3L; Auto Trans	A	5	5-153X*	5-1310-1X*	5-1310X**
	Mustang	4.7L	A	5	5-153X*	5-1310-1X*	5-1310X**
	Mustang	6.4L	A	5	5-213X*	5-1330-1X*	5-1330X**
	Mustang	3.3L; Auto Trans	A	9		5-7439X**	
	Mustang	4.7L	A	9		5-7439X**	
1967-1969	Mustang	6.4L	A	9	5-1204X*	5-7438X**	
1968-1969	Mustang	3.3L; 4-Speed	A	5	5-1200X*		
	Mustang	5.0L	A	5	5-1200X*		
	Mustang	6.4L	A	5	5-1203X*		
	Mustang	7.0L	A	5	5-1203X*		
	Mustang	3.3L; 3-Speed	A	5,9	5-105X*		
1969	Mustang	3.3L; 4-Speed	A	9		5-7439X**	
	Mustang	5.0L	A	9		5-7439X**	
	Mustang	7.0L	A	9	5-1204X*	5-7438X**	
	Mustang	4.1L	A	5	5-1200X*		
	Mustang	5.8L	A	5	5-1200X*		
1970-1973	Mustang	4.1L	A	9		5-7439X**	
	Mustang	5.8L	A	9		5-7439X**	
	Mustang	w/ 3.500" O.D. Yoke	A	5	5-153X*	5-1310-1X*	5-1310X**
	Mustang	w/ 3.875" O.D. Yoke	A	5	5-213X*	5-1330-1X*	5-1330X**
1979-1986	Mustang	w/ 3.500" O.D. Yoke	A	9		5-7439X**	
	Mustang	w/ 3.875" O.D. Yoke	A	9	5-1204X*	5-7438X**	
	Mustang		A	5,9	5-153X*	5-1310-1X*	5-1310X**
	Mustang		A	5,9	5-153X*	5-1310-1X*	5-1310X**
1987-1992	Mustang	2.3L; Auto Trans	A	5,9	5-153X*	5-1310-1X*	5-1310X**
	Mustang	2.3L; Standard Trans; w/ 3.500" O.D. Yoke	A	5,9	5-153X*	5-1310-1X*	5-1310X**
	Mustang	2.3L; Standard Trans; w/ 3.875" O.D. Yoke	A	5,9	5-213X*	5-1330-1X*	5-1330X**
1987-1993	Mustang	5.0L; Auto Trans	A	5,9	5-153X*	5-1310-1X*	5-1310X**
	Mustang	5.0L; Standard Trans	A	5,9	5-213X*	5-1330-1X*	5-1330X**
1993	Mustang	2.3L	A	5,9	5-153X*	5-1310-1X*	5-1310X**
1994	Mustang	5.0L	A	5,9	5-213X*	5-1330-1X*	5-1330X**
1994-1995	Mustang	3.8L	A	5,9	5-153X*	5-1310-1X*	5-1310X**
1995	Mustang	5.0L; 5.8L	A	5,9	5-213X*	5-1330-1X*	5-1330X**

\* GREASEABLE \*\* NON-GREASEABLE



**Ford (Cont'd)**

Year	Model	Description	Fig.	Location	Spicer Part #	SPL (Uncoated) Part #	SPL (Coated) Part #
1996-1999	Mustang		A	5,9	5-213X*	5-1330-1X* 5-1330X**	
2002	Mustang	1-Piece Driveshaft	A	5,9	5-213X*	5-1330-1X* 5-1330X**	
2003	Mustang	Base; 1-Piece Driveshaft	A	5,9	5-213X*	5-1330-1X* 5-1330X**	
	Mustang	GT; 1-Piece Driveshaft	A	5,9	5-213X*	5-1330-1X* 5-1330X**	
	Mustang	Mach 1; 1-Piece Driveshaft	A	5,9	5-213X*	5-1330-1X* 5-1330X**	
	Mustang	SVT Cobra 10th Anniversary; 1-Piece Driveshaft	A	5,9	5-178X*	5-1330-1X* 5-1350X**	SPL30-1350XC**
2003-2004	Mustang	SVT Cobra; 1-Piece Driveshaft	A	5,9	5-178X*	5-1350-1X* 5-1350X**	SPL30-1350XC**
2004	Mustang	Exc. SVT Cobra; 1-Piece Driveshaft	A	5,9	5-213X*	5-1330-1X* 5-1330X**	
2013	Mustang	Boss 302; 2-Piece Driveshaft	S	5	5-178X*	5-1350-1X* 5-1350X**	SPL30-1350XC**
2013-2014	Mustang	Base; 1-Piece Driveshaft	A	5,9	5-178X*	5-1350-1X* 5-1350X**	SPL30-1350XC**
	Mustang	GT; 2-Piece Driveshaft	S	5	5-178X*	5-1350-1X* 5-1350X**	SPL30-1350XC**
2015-2017	Mustang	V6 3.7L; Auto Trans; 1-Piece Driveshaft	A	5	5-178X*	5-1350-1X* 5-1350X**	SPL30-1350XC**
	Mustang	V6 3.7L; Standard Trans; 1-Piece Driveshaft	A	5	5-178X*	5-1350-1X* 5-1350X**	SPL30-1350XC**
	Mustang	L4 2.3L; Auto Trans; 1-Piece Driveshaft	A	5,9	5-178X*	5-1350-1X* 5-1350X**	SPL30-1350XC**
	Mustang	L4 2.3L; Standard Trans; 1-Piece Driveshaft	A	5,9	5-178X*	5-1350-1X* 5-1350X**	SPL30-1350XC**
	Mustang	V6 3.7L; 1-Piece Driveshaft	A	9	5-178X*	5-1350-1X* 5-1350X**	SPL30-1350XC**
	Mustang	V8 5.0L; 2-Piece Driveshaft	S	5	5-178X*	5-1350-1X* 5-1350X**	SPL30-1350XC**
	Mustang	V8 5.2L; 2-Piece Driveshaft	S	5	5-178X*	5-1350-1X* 5-1350X**	SPL30-1350XC**
1971-1979	Pinto		A	5	5-153X*	5-1310-1X* 5-1310X**	
	Pinto		A	9		5-7439X**	
1980	Pinto		A	5,9	5-153X*	5-1310-1X* 5-1310X**	
1955	Thunderbird		A	5	5-3242X*		
	Thunderbird		A	9	5-2031X*		
1956-1961	Thunderbird		A	5,9	5-153X*	5-1310-1X* 5-1310X**	
1962	Thunderbird	w/ Inside Snap Rings	A	5	5-1200X*		
	Thunderbird	w/ Outside Snap Rings	A	5	5-153X*	5-1310-1X* 5-1310X**	
1967	Thunderbird	w/ Outside Snap Rings	A	9	5-134X*		
	Thunderbird	2 Door	A	5	5-213X*	5-1330-1X* 5-1330X**	
	Thunderbird	2 Door	A	9	5-1204X*	5-7438X**	

\* GREASEABLE \*\* NON-GREASEABLE

**Ford (Cont'd)**

PASSENGER

Year	Model	Description	Fig.	Location	Spicer Part #	SPL (Uncoated) Part #	SPL (Coated) Part #
1967	Thunderbird	4 Door	C	5,7,8,9	5-213X*	5-1330-1X* 5-1330X**	
1968-1971	Thunderbird		H	5,6,9,10	5-3147X*	5-795X**	
1973-1976	Thunderbird		A	5,9	5-213X*	5-1330-1X* 5-1330X**	
1977-1978	Thunderbird		A	5	5-213X*	5-1330-1X* 5-1330X**	
	Thunderbird		A	9	5-1204X*	5-7438X**	
1979	Thunderbird	w/ Inside Snap Rings	A	5	5-3147X*	5-795X**	
	Thunderbird	w/ Outside Snap Rings	A	5	5-213X*	5-1330-1X* 5-1330X**	
	Thunderbird	w/ Inside Snap Rings	A	9	5-3255X*		
	Thunderbird	w/ Outside Snap Rings	A	9	5-1204X*	5-7438X**	
1980-1982	Thunderbird		D	5,9,10	5-153X*	5-1310-1X* 5-1310X**	
	Thunderbird		D	CV	211229X		
1983-1986	Thunderbird		A	5,9	5-153X*	5-1310-1X* 5-1310X**	
1987-1988	Thunderbird	Turbocharged	A	5,9	5-213X*	5-1330-1X* 5-1330X**	
1987-1993	Thunderbird	Naturally Aspirated	A	5,9	5-153X*	5-1310-1X* 5-1310X**	
1989-1993	Thunderbird	Supercharged	A	5,9	5-213X*	5-1330-1X* 5-1330X**	
1994-1997	Thunderbird		A	5,9	5-213X*	5-1330-1X* 5-1330X**	
1968-1974	Torino	w/ 3.500" O.D. Yoke	A	5	5-153X*	5-1310-1X* 5-1310X**	
	Torino	w/ 3.875" O.D. Yoke	A	5	5-213X*	5-1330-1X* 5-1330X**	
	Torino	w/ 3.500" O.D. Yoke	A	9		5-7439X**	
	Torino	w/ 3.875" O.D. Yoke	A	9	5-1204X*	5-7438X**	
1975-1976	Torino	5.8L; w/ 3.500" O.D. Yoke	A	5	5-153X*	5-1310-1X* 5-1310X**	
	Torino	5.8L; w/ 3.875" O.D. Yoke	A	5	5-213X*	5-1330-1X* 5-1330X**	
	Torino	6.6L; 7.5L	A	5	5-213X*	5-1330-1X* 5-1330X**	
	Torino	5.8L; w/ 3.500" O.D. Yoke	A	9		5-7439X**	
	Torino	5.8L; w/ 3.875" O.D. Yoke	A	9	5-1204X*	5-7438X**	
	Torino	6.6L; 7.5L	A	9	5-1204X*	5-7438X**	
1958-1963	Zephyr		A	5,9	5-101X**		
1961-1964	Zodiac		A	5,9	5-3214X*		

**Hillman**

Year	Model	Description	Fig.	Location	Spicer Part #	SPL (Uncoated) Part #	SPL (Coated) Part #
1955-1966	Husky		A	5,9	5-101X**		
1947-1966	Minx		A	5,9	5-101X**		

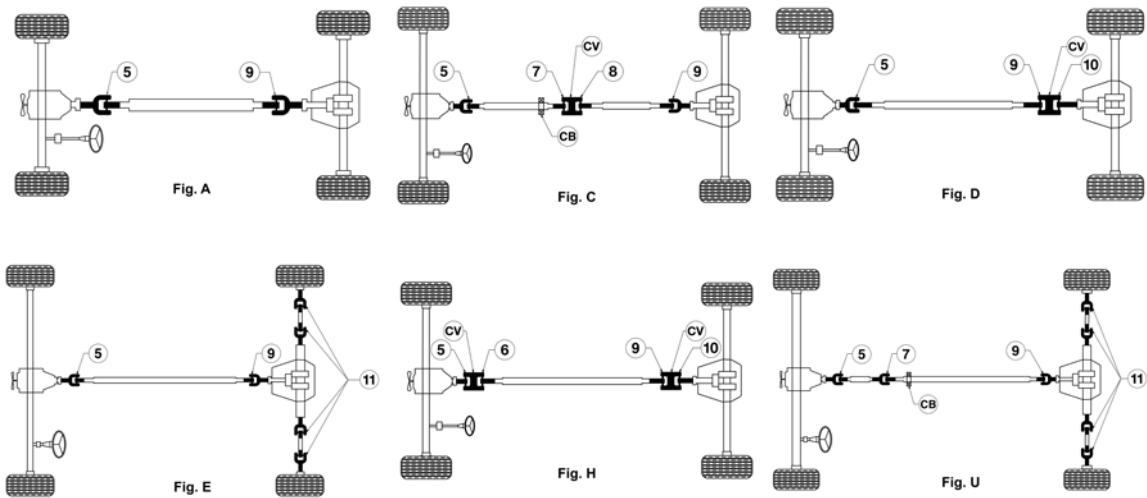
**Hyundai**

Year	Model	Description	Fig.	Location	Spicer Part #	SPL (Uncoated) Part #	SPL (Coated) Part #
1984	Pony		A	5,9	5-443X*		
1985-1987	Stellar		A	5,9	5-443X*		

**Jaguar**

Year	Model	Description	Fig.	Location	Spicer Part #	SPL (Uncoated) Part #	SPL (Coated) Part #
1955-1967	2.4	1-Piece Driveshaft	E	11	5-160X*	5-1410-1X* 5-1410X**	
	2.4	1-Piece Driveshaft	E	5,9	5-153X*	5-1310-1X* 5-1310X**	

\* GREASEABLE \*\* NON-GREASEABLE



PASSENGER

**Jaguar (Cont'd)**

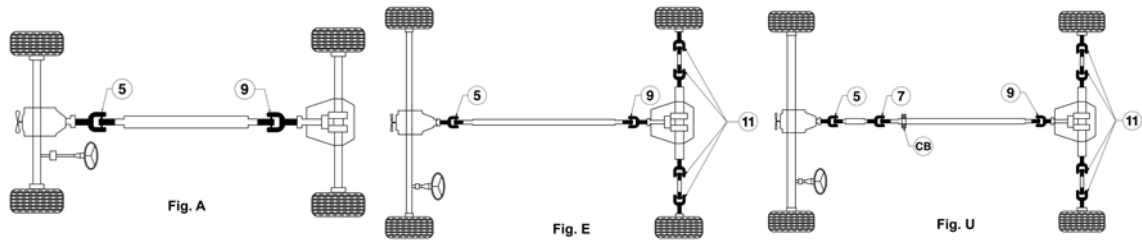
Year	Model	Description	Fig.	Location	Spicer Part #	SPL (Uncoated) Part #	SPL (Coated) Part #
1955-1967	2.4	2-Piece Driveshaft	U	11	5-160X*	5-1410-1X* 5-1410X**	
	2.4	2-Piece Driveshaft	U	5,7,9	5-153X*	5-1310-1X* 5-1310X**	
1967-1969	240	1-Piece Driveshaft	E	11	5-160X*	5-1410-1X* 5-1410X**	
	240	1-Piece Driveshaft	E	5,9	5-153X*	5-1310-1X* 5-1310X**	
	240	2-Piece Driveshaft	U	11	5-160X*	5-1410-1X* 5-1410X**	
	240	2-Piece Driveshaft	U	5,7,9	5-153X*	5-1310-1X* 5-1310X**	
1957-1968	3.4	1-Piece Driveshaft	E	11	5-160X*	5-1410-1X* 5-1410X**	
	3.4	1-Piece Driveshaft	E	5,9	5-153X*	5-1310-1X* 5-1310X**	
	3.4	2-Piece Driveshaft	U	11	5-160X*	5-1410-1X* 5-1410X**	
	3.4	2-Piece Driveshaft	U	5,7,9	5-153X*	5-1310-1X* 5-1310X**	
1960-1969	3.8	1-Piece Driveshaft	E	11	5-160X*	5-1410-1X* 5-1410X**	
	3.8	1-Piece Driveshaft	E	5,9	5-153X*	5-1310-1X* 5-1310X**	
	3.8	2-Piece Driveshaft	U	11	5-160X*	5-1410-1X* 5-1410X**	
	3.8	2-Piece Driveshaft	U	5,7,9	5-153X*	5-1310-1X* 5-1310X**	
1967-1970	340	1-Piece Driveshaft	E	11	5-160X*	5-1410-1X* 5-1410X**	
	340	1-Piece Driveshaft	E	5,9	5-153X*	5-1310-1X* 5-1310X**	
	340	2-Piece Driveshaft	U	11	5-160X*	5-1410-1X* 5-1410X**	
	340	2-Piece Driveshaft	U	5,7,9	5-153X*	5-1310-1X* 5-1310X**	
1967-1968	420	1-Piece Driveshaft	E	11	5-160X*	5-1410-1X* 5-1410X**	
	420	1-Piece Driveshaft	E	5,9	5-153X*	5-1310-1X* 5-1310X**	
	420	2-Piece Driveshaft	U	11	5-160X*	5-1410-1X* 5-1410X**	

\* GREASEABLE \*\* NON-GREASEABLE

**Jaguar (Cont'd)**

Year	Model	Description	Fig.	Location	Spicer Part #	SPL (Uncoated) Part #	SPL (Coated) Part #
1967-1968	420	2-Piece Driveshaft	U	5,7,9	5-153X*	5-1310-1X* 5-1310X**	
1953	C-Type	1-Piece Driveshaft	E	11	5-160X*	5-1410-1X* 5-1410X**	
1954-1956	D-Type	1-Piece Driveshaft	E	11	5-160X*	5-1410-1X* 5-1410X**	
1959-1961	Mark IX	1-Piece Driveshaft	E	11	5-160X*	5-1410-1X* 5-1410X**	
1953-1957	Mark VII	1-Piece Driveshaft	E	11	5-160X*	5-1410-1X* 5-1410X**	
1957-1958	Mark VIII	1-Piece Driveshaft	E	11	5-160X*	5-1410-1X* 5-1410X**	
1962-1966	Mark X	1-Piece Driveshaft	E	11	5-160X*	5-1410-1X* 5-1410X**	
	Mark X	1-Piece Driveshaft	E	5,9	5-153X*	5-1310-1X* 5-1310X**	
	Mark X	2-Piece Driveshaft	U	11	5-160X*	5-1410-1X* 5-1410X**	
	Mark X	2-Piece Driveshaft	U	5,7,9	5-153X*	5-1310-1X* 5-1310X**	
1974	V12	1-Piece Driveshaft	E	11	5-160X*	5-1410-1X* 5-1410X**	
	V12	1-Piece Driveshaft	E	5,9	5-153X*	5-1310-1X* 5-1310X**	
	V12	2-Piece Driveshaft	U	11	5-160X*	5-1410-1X* 5-1410X**	
	V12	2-Piece Driveshaft	U	5,7,9	5-153X*	5-1310-1X* 5-1310X**	
1982-1987	Vanden Plas	1-Piece Driveshaft	E	11	5-160X*	5-1410-1X* 5-1410X**	
	Vanden Plas	1-Piece Driveshaft	E	5,9	5-153X*	5-1310-1X* 5-1310X**	
	Vanden Plas	2-Piece Driveshaft	U	11	5-160X*	5-1410-1X* 5-1410X**	
	Vanden Plas	2-Piece Driveshaft	U	5,7,9	5-153X*	5-1310-1X* 5-1310X**	
1988-1989	Vanden Plas	w/ Staked-in Joints	U	11	5-160X*	5-1410-1X* 5-1410X**	
1968-1971	XJ	1-Piece Driveshaft	E	11	5-160X*	5-1410-1X* 5-1410X**	
	XJ	1-Piece Driveshaft	E	5,9	5-153X*	5-1310-1X* 5-1310X**	
	XJ	2-Piece Driveshaft	U	11	5-160X*	5-1410-1X* 5-1410X**	
	XJ	2-Piece Driveshaft	U	5,7,9	5-153X*	5-1310-1X* 5-1310X**	
1981-1987	XJ12	1-Piece Driveshaft	E	11	5-160X*	5-1410-1X* 5-1410X**	
	XJ12	1-Piece Driveshaft	E	5,9	5-153X*	5-1310-1X* 5-1310X**	
	XJ12	2-Piece Driveshaft	U	11	5-160X*	5-1410-1X* 5-1410X**	
	XJ12	2-Piece Driveshaft	U	5,7,9	5-153X*	5-1310-1X* 5-1310X**	
1988-1989	XJ12	w/ Staked-in Joints	U	11	5-160X*	5-1410-1X* 5-1410X**	
1972-1987	XJ6	1-Piece Driveshaft	E	11	5-160X*	5-1410-1X* 5-1410X**	
	XJ6	1-Piece Driveshaft	E	5,9	5-153X*	5-1310-1X* 5-1310X**	
	XJ6	2-Piece Driveshaft	U	11	5-160X*	5-1410-1X* 5-1410X**	
	XJ6	2-Piece Driveshaft	U	5,7,9	5-153X*	5-1310-1X* 5-1310X**	

\* GREASEABLE \*\* NON-GREASEABLE



**Jaguar (Cont'd)**

Year	Model	Description	Fig.	Location	Spicer Part #	SPL (Uncoated) Part #	SPL (Coated) Part #
1988-1989	XJ6	w/ Staked-in Joints	U	11	5-160X*	5-1410-1X* 5-1410X**	
1976-1987	XJS	1-Piece Driveshaft	E	11	5-160X*	5-1410-1X* 5-1410X**	
	XJS	1-Piece Driveshaft	E	5,9	5-153X*	5-1310-1X* 5-1310X**	
	XJS	2-Piece Driveshaft	U	11	5-160X*	5-1410-1X* 5-1410X**	
	XJS	2-Piece Driveshaft	U	5,7,9	5-153X*	5-1310-1X* 5-1310X**	
1988-1989	XJS	w/ Staked-in Joints	U	11	5-160X*	5-1410-1X* 5-1410X**	
1953-1954	XK120	1-Piece Driveshaft	E	11	5-160X*	5-1410-1X* 5-1410X**	
1955-1957	XK140	1-Piece Driveshaft	E	11	5-160X*	5-1410-1X* 5-1410X**	
1958-1961	XK150	1-Piece Driveshaft	E	11	5-160X*	5-1410-1X* 5-1410X**	
1961-1974	XKE	1-Piece Driveshaft	E	11	5-160X*	5-1410-1X* 5-1410X**	
1962-1974	XKE	1-Piece Driveshaft	E	5,9	5-153X*	5-1310-1X* 5-1310X**	
	XKE	2-Piece Driveshaft	U	11	5-160X*	5-1410-1X* 5-1410X**	
	XKE	2-Piece Driveshaft	U	5,7,9	5-153X*	5-1310-1X* 5-1310X**	
1957	XKSS	1-Piece Driveshaft	E	11	5-160X*	5-1410-1X* 5-1410X**	

**Jensen**

Year	Model	Description	Fig.	Location	Spicer Part #	SPL (Uncoated) Part #	SPL (Coated) Part #
1954-1958	541		A	5,9	5-178X*	5-1350-1X* 5-1350X**	SPL30-1350XC**
1958-1960	541R		A	5,9	5-178X*	5-1350-1X* 5-1350X**	SPL30-1350XC**
1961-1962	541S		A	5,9	5-178X*	5-1350-1X* 5-1350X**	SPL30-1350XC**
1963-1966	C-V8		A	5,9	5-178X*	5-1350-1X* 5-1350X**	SPL30-1350XC**
1967-1970	Interceptor		A	5,9	5-178X*	5-1350-1X* 5-1350X**	SPL30-1350XC**

**Lagonda**

Year	Model	Description	Fig.	Location	Spicer Part #	SPL (Uncoated) Part #	SPL (Coated) Part #
1961-1964	Rapide		A	5,9	5-178X*	5-1350-1X* 5-1350X**	SPL30-1350XC**
	Rapide	w/ Half Shaft	E	11	5-160X*	5-1410-1X* 5-1410X**	

\* GREASEABLE \*\* NON-GREASEABLE

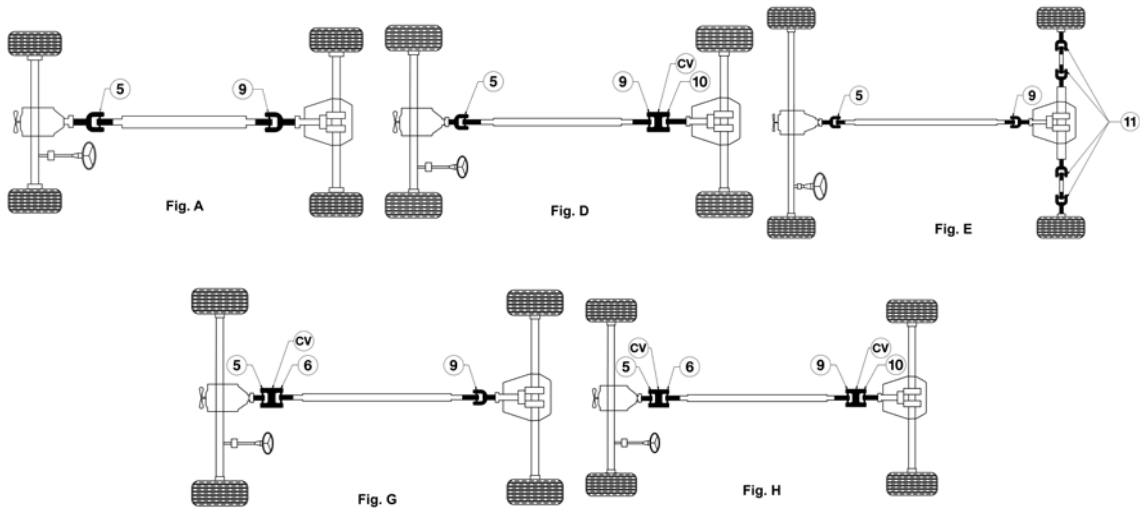
**Lincoln**

PASSENGER

Year	Model	Description	Fig.	Location	Spicer Part #	SPL (Uncoated) Part #	SPL (Coated) Part #
1952-1959	Capri		A	5,9	5-153X*	5-1310-1X* 5-1310X**	
1958-1960	Continental		A	5,9	5-153X*	5-1310-1X* 5-1310X**	
1961-1962	Continental		A	5	5-153X*	5-1310-1X* 5-1310X**	
	Continental		A	9	5-134X*		
1963-1965	Continental		G	5,6,9	5-213X*	5-1330-1X* 5-1330X**	
1966-1976	Continental		H	5,6,9,10	5-213X*	5-1330-1X* 5-1330X**	
1977	Continental	From 5/1/77	H	5,6,9,10	5-3147X*	5-795X**	
	Continental	To 5/1/77	H	5,6,9,10	5-213X*	5-1330-1X* 5-1330X**	
	Continental	From 5/1/77	H	CV	211009X		
1978-1979	Continental		H	5,6,9,10	5-3147X*	5-795X**	
	Continental		H	CV	211009X		
1980	Continental	w/ Trailer Towing Package	A	5	5-213X*	5-1330-1X* 5-1330X**	
	Continental	w/o Trailer Towing Package	A	5	5-153X*	5-1310-1X* 5-1310X**	
	Continental	w/ Trailer Towing Package	A	9	5-1203X*		
	Continental	w/o Trailer Towing Package	A	9	5-1200X*		
1982-1983	Continental		D	CV	211229X		
1982-1987	Continental		D	5,9,10	5-153X*	5-1310-1X* 5-1310X**	
1950-1954	Cosmopolitan		A	5,9	5-153X*	5-1310-1X* 5-1310X**	
1950-1951	Lincoln		A	5,9	5-153X*	5-1310-1X* 5-1310X**	
1956-1957	Mark II		A	5,9	5-153X*	5-1310-1X* 5-1310X**	
1968	Mark III		H	5,6,9,10	5-213X*	5-1330-1X* 5-1330X**	
1969-1971	Mark III		H	5,6,9,10	5-3147X*	5-795X**	
1972-1976	Mark IV		A	5,9	5-213X*	5-1330-1X* 5-1330X**	
1977	Mark V	From 7/15/77	A	9	5-1204X*	5-7438X**	
	Mark V	To 7/14/77	A	9	5-213X*	5-1330-1X* 5-1330X**	
1977-1979	Mark V		A	5	5-213X*	5-1330-1X* 5-1330X**	
1978-1979	Mark V		A	9	5-1204X*	5-7438X**	
1980-1983	Mark VI	w/ Trailer Towing Package	A	5,9	5-213X*	5-1330-1X* 5-1330X**	
	Mark VI	w/o Trailer Towing Package	A	5,9	5-153X*	5-1310-1X* 5-1310X**	
1984-1992	Mark VII		D	5,9,10	5-153X*	5-1310-1X* 5-1310X**	
1993-1998	Mark VIII		A	5,9	5-213X*	5-1330-1X* 5-1330X**	
1956-1959	Premier		A	5,9	5-153X*	5-1310-1X* 5-1310X**	
1960	Premier		A	5	5-213X*	5-1330-1X* 5-1330X**	
	Premier		A	9	5-134X*		
1981-1994	Town Car	w/ Trailer Towing Package	A	5,9	5-213X*	5-1330-1X* 5-1330X**	
	Town Car	w/o Trailer Towing Package	A	5,9	5-153X*	5-1310-1X* 5-1310X**	
1995-1999	Town Car		A	5,9	5-213X*	5-1330-1X* 5-1330X**	

\* GREASEABLE \*\* NON-GREASEABLE





PASSENGER

**Lincoln (Cont'd)**

Year	Model	Description	Fig.	Location	Spicer Part #	SPL (Uncoated) Part #	SPL (Coated) Part #
2000-2002	Town Car	1-Piece Driveshaft	A	5,9	5-213X*	5-1330-1X* 5-1330X**	
2003-2004	Town Car	1-Piece Driveshaft	A	5,9	5-3253X*		
2005	Town Car	1-Piece Driveshaft; From 03/18/2005	A	5,9	5-178X*	5-1350-1X* 5-1350X**	SPL30-1350XC**
	Town Car	1-Piece Driveshaft; To 03/18/2005	A	5,9	5-3253X*		
2006-2011	Town Car	1-Piece Driveshaft	A	5,9	5-178X*	5-1350-1X* 5-1350X**	SPL30-1350XC**
1977-1978	Versailles		D	5,9,10	5-213X*	5-1330-1X* 5-1330X**	
1979	Versailles	w/ 3.500" O.D. Yoke	D	5,9,10	5-153X*	5-1310-1X* 5-1310X**	
	Versailles	w/ 3.875" O.D. Yoke	D	5,9,10	5-213X*	5-1330-1X* 5-1330X**	
	Versailles	w/ 3.469" O.D. Yoke	D	CV	211198X		
1980	Versailles		D	5,9,10	5-153X*	5-1310-1X* 5-1310X**	
	Versailles		D	CV	211198X		

**Lotus**

Year	Model	Description	Fig.	Location	Spicer Part #	SPL (Uncoated) Part #	SPL (Coated) Part #
1962-1971	Elan		E	5,9	5-101X**		
1962-1966	Elite		E	5,9	5-101X**		

**Maserati**

Year	Model	Description	Fig.	Location	Spicer Part #	SPL (Uncoated) Part #	SPL (Coated) Part #
1958-1961	3500GT		A	5,9	5-178X*	5-1350-1X* 5-1350X**	SPL30-1350XC**
1962	3500GTI		A	5,9	5-178X*	5-1350-1X* 5-1350X**	SPL30-1350XC**
1958-1961	A6G/2000		A	5,9	5-178X*	5-1350-1X* 5-1350X**	SPL30-1350XC**
1967-1973	Ghibli		A	5,9	5-3214X*		
1966-1973	Mexico		A	5,9	5-3214X*		
1962	Sebring		A	5,9	5-178X*	5-1350-1X* 5-1350X**	SPL30-1350XC**

\* GREASEABLE \*\* NON-GREASEABLE

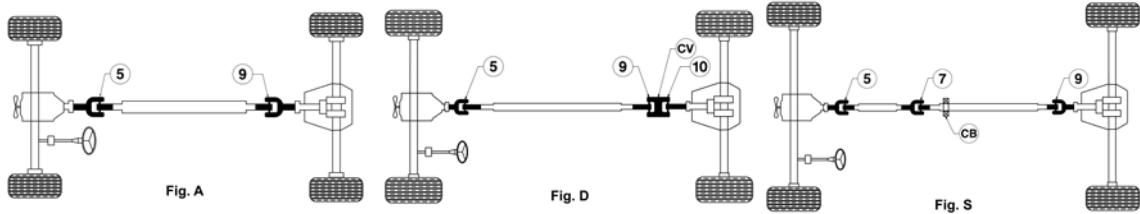
**Mazda**

Year	Model	Description	Fig.	Location	Spicer Part #	SPL (Uncoated) Part #	SPL (Coated) Part #
1970-1972	1200	1-Piece Driveshaft	A	5,9	5-3229X*		
	1200	2-Piece Driveshaft	S	5,7,9	5-3229X*		
1971-1972	616		A	5,9	5-3229X*		
1972-1973	618		A	5,9	5-3229X*		
1979-1982	626		S	5,7,9	5-3229X*		
1972-1977	808		A	5,9	5-3229X*		
1977-1981	GLC		A	5,9	5-1514X*		
1976-1977	Mizer		A	5,9	5-1514X*		
1971-1972	R100		A	5,9	5-3229X*		
1971-1974	RX-2		A	5,9	5-3229X*		
1972-1978	RX-3		A	5,9	5-3229X*		
1979-1983	RX-7		A	5,9	5-3229X*		

**Mercury**

Year	Model	Description	Fig.	Location	Spicer Part #	SPL (Uncoated) Part #	SPL (Coated) Part #
1975-1980	Bobcat		A	5	5-1200X*		
	Bobcat		A	9		5-7439X**	
1979-1986	Capri		A	5,9	5-1200X*		
1960-1962	Comet		A	5,9	5-105X*		
1963	Comet	4.3L	A	5	5-153X*	5-1310-1X*	5-1310X**
	Comet	2.4L; 2.8L; 3.3L	A	5,9	5-105X*		
	Comet	4.3L	A	9		5-7439X**	
1964	Comet	4.3L; 4.7L	A	5	5-153X*	5-1310-1X*	5-1310X**
	Comet	2.8L; 3.3L	A	5,9	5-105X*		
	Comet	4.3L; 4.7L	A	9		5-7439X**	
1965	Comet	Auto Trans	A	5	5-153X*	5-1310-1X*	5-1310X**
	Comet	Standard Trans	A	5,9	5-105X*		
	Comet	Auto Trans	A	9		5-7439X**	
1966-1967	Comet	3.3L; 4.7L	A	5	5-153X*	5-1310-1X*	5-1310X**
	Comet	3.3L; 4.7L	A	9		5-7439X**	
1966-1969	Comet	6.4L; 7.0L	A	5	5-213X*	5-1330-1X*	5-1330X**
	Comet	6.4L; 7.0L	A	9	5-1204X*	5-7438X**	
1968	Comet	3.3L; 5.0L	A	5	5-153X*	5-1310-1X*	5-1310X**
	Comet	3.3L; 5.0L	A	9		5-7439X**	
1969-1970	Comet	3.3L; 4.1L; 5.0L; 5.8L	A	5	5-153X*	5-1310-1X*	5-1310X**
	Comet	3.3L; 4.1L; 5.0L; 5.8L	A	9		5-7439X**	
1970	Comet	6.4L	A	5	5-213X*	5-1330-1X*	5-1330X**
	Comet	6.4L	A	9	5-1204X*	5-7438X**	
	Comet		A	5	5-1200X*		
1971-1977	Comet		A	9		5-7439X**	
	Comet		A	9		5-7439X**	
1967	Cougar	4.7L	A	5	5-153X*	5-1310-1X*	5-1310X**
	Cougar	6.4L	A	5	5-213X*	5-1330-1X*	5-1330X**
	Cougar	4.7L	A	9		5-7439X**	
	Cougar	6.4L	A	9	5-1204X*	5-7438X**	
1968	Cougar	4.7L; 5.0L	A	5	5-153X*	5-1310-1X*	5-1310X**
	Cougar	4.7L; 5.0L	A	9		5-7439X**	
1968-1969	Cougar	6.4L; 7.0L	A	5	5-213X*	5-1330-1X*	5-1330X**
1968-1970	Cougar	6.4L; 7.0L	A	9	5-1204X*	5-7438X**	

\* GREASEABLE \*\* NON-GREASEABLE



**Mercury (Cont'd)**

Year	Model	Description	Fig.	Location	Spicer Part #	SPL (Uncoated) Part #	SPL (Coated) Part #
1969	Cougar	5.0L; 5.8L	A	5	5-153X*	5-1310-1X* 5-1310X**	
1969-1970	Cougar	5.0L; 5.8L	A	9		5-7439X**	
1970	Cougar	5.0L; 6.4L; 7.0L	A	5	5-213X*	5-1330-1X* 5-1330X**	
	Cougar	5.8L	A	5	5-153X*	5-1310-1X* 5-1310X**	
1971-1972	Cougar	3-Speed	A	5	5-153X*	5-1310-1X* 5-1310X**	
	Cougar	4-Speed	A	5	5-213X*	5-1330-1X* 5-1330X**	
	Cougar	3-Speed	A	9		5-7439X**	
	Cougar	4-Speed	A	9	5-1204X*	5-7438X**	
1973	Cougar		A	5	5-153X*	5-1310-1X* 5-1310X**	
	Cougar		A	9		5-7439X**	
1974-1978	Cougar		A	5	5-213X*	5-1330-1X* 5-1330X**	
1975-1976	Cougar	5.8L	A	9		5-7439X**	
	Cougar	6.6L; 7.5L	A	9	5-1204X*	5-7438X**	
1977-1978	Cougar		A	9	5-1204X*	5-7438X**	
1979	Cougar	w/ Inside Snap Rings	A	5	5-3147X*	5-795X**	
	Cougar	w/ Outside Snap Rings	A	5	5-213X*	5-1330-1X* 5-1330X**	
	Cougar	w/ Inside Snap Rings	A	9	5-1204X*	5-7438X**	
	Cougar	w/ Outside Snap Rings	A	9	5-3255X*		
1980	Cougar		D	5,9,10	5-1200X*		
1980-1982	Cougar		D	CV	211229X		
1981	Cougar	Base	A	5,9	5-1200X*		
1981-1982	Cougar	XR-7	D	5,9,10	5-1200X*		
1982	Cougar	Base; GS; LS	A	5,9	5-1200X*		
1983-1988	Cougar		A	5,9	5-1200X*		
1989-1990	Cougar	LS	A	5,9	5-153X*	5-1310-1X* 5-1310X**	
	Cougar	XR-7	A	5,9	5-213X*	5-1330-1X* 5-1330X**	
1991-1993	Cougar	3.8L	A	5,9	5-153X*	5-1310-1X* 5-1310X**	
	Cougar	5.0L	A	5,9	5-213X*	5-1330-1X* 5-1330X**	
1994-1997	Cougar		A	5,9	5-213X*	5-1330-1X* 5-1330X**	
1952-1954	Custom		A	5	5-3242X*		
	Custom		A	9	5-2031X*		
1955-1956	Custom		A	5,9	5-153X*	5-1310-1X* 5-1310X**	
1975-1976	Grand Marquis		A	5	5-213X*	5-1330-1X* 5-1330X**	
	Grand Marquis		A	9	5-1204X*	5-7438X**	
1977-1978	Grand Marquis	w/ 3.500" O.D. Yoke	A	5	5-153X*	5-1310-1X* 5-1310X**	

\* GREASEABLE \*\* NON-GREASEABLE

PASSENGER

**Mercury (Cont'd)**

PASSENGER

Year	Model	Description	Fig.	Location	Spicer Part #	SPL (Uncoated) Part #	SPL (Coated) Part #
1977-1978	Grand Marquis	w/ 3.875" O.D. Yoke	A	5	5-213X*	5-1330-1X* 5-1330X**	
	Grand Marquis	w/ 3.500" O.D. Yoke	A	9		5-7439X**	
	Grand Marquis	w/ 3.875" O.D. Yoke	A	9	5-1204X*	5-7438X**	
1979-1994	Grand Marquis	w/ Trailer Towing Package	A	5,9	5-213X*	5-1330-1X* 5-1330X**	
	Grand Marquis	w/o Trailer Towing Package	A	5,9	5-153X*	5-1310-1X* 5-1310X**	
1995-1999	Grand Marquis		A	5,9	5-213X*	5-1330-1X* 5-1330X**	
2000-2005	Grand Marquis	1-Piece Driveshaft	A	5,9	5-213X*	5-1330-1X* 5-1330X**	
2006	Grand Marquis	1-Piece Driveshaft; From 06/19/2006	A	5,9	5-178X*	5-1350-1X* 5-1350X**	SPL30-1350XC**
	Grand Marquis	1-Piece Driveshaft; To 06/19/2006	A	5,9	5-3253X*		
2007-2011	Grand Marquis	1-Piece Driveshaft	A	5,9	5-178X*	5-1350-1X* 5-1350X**	SPL30-1350XC**
1963	Marauder	6.4L; 7.0L; From 6/3/63	A	5,9	5-1200X*		
	Marauder	6.4L; 7.0L; To 6/3/63	A	5,9	5-1203X*		
1965	Marauder	w/ 3.500" O.D. Yoke	A	5	5-153X*	5-1310-1X* 5-1310X**	
	Marauder	w/ 3.875" O.D. Yoke	A	5	5-213X*	5-1330-1X* 5-1330X**	
	Marauder	w/ 3.500" O.D. Yoke	A	9		5-7439X**	
	Marauder	w/ 3.875" O.D. Yoke	A	9	5-1204X*	5-7438X**	
1966-1970	Marauder		A	5	5-213X*	5-1330-1X* 5-1330X**	
	Marauder		A	9	5-1204X*	5-7438X**	
2003-2004	Marauder	1-Piece Driveshaft	A	5,9	5-213X*	5-1330-1X* 5-1330X**	
1967-1976	Marquis		A	5	5-213X*	5-1330-1X* 5-1330X**	
	Marquis		A	9	5-1204X*	5-7438X**	
1977-1978	Marquis	w/ 3.500" O.D. Yoke	A	5	5-153X*	5-1310-1X* 5-1310X**	
	Marquis	w/ 3.875" O.D. Yoke	A	5	5-213X*	5-1330-1X* 5-1330X**	
	Marquis	w/ 3.500" O.D. Yoke	A	9		5-7439X**	
	Marquis	w/ 3.875" O.D. Yoke	A	9	5-1204X*	5-7438X**	
1979-1986	Marquis	w/ Trailer Towing Package	A	5,9	5-213X*	5-1330-1X* 5-1330X**	
	Marquis	w/o Trailer Towing Package	A	5,9	5-153X*	5-1310-1X* 5-1310X**	
1961-1963	Meteor		A	5	5-1200X*		
	Meteor		A	9		5-7439X**	
1975-1977	Monarch	w/ 3.500" O.D. Yoke	A	5	5-153X*	5-1310-1X* 5-1310X**	
	Monarch	w/ 3.875" O.D. Yoke	A	5	5-213X*	5-1330-1X* 5-1330X**	
	Monarch	w/ 3.500" O.D. Yoke	A	9		5-7439X**	
	Monarch	w/ 3.875" O.D. Yoke	A	9	5-1204X*	5-7438X**	
1978-1980	Monarch		A	5	5-153X*	5-1310-1X* 5-1310X**	
	Monarch		A	9		5-7439X**	
1968-1974	Montego	w/ 3.500" O.D. Yoke	A	5	5-153X*	5-1310-1X* 5-1310X**	
	Montego	w/ 3.875" O.D. Yoke	A	5	5-213X*	5-1330-1X* 5-1330X**	
	Montego	w/ 3.500" O.D. Yoke	A	9		5-7439X**	
	Montego	w/ 3.875" O.D. Yoke	A	9	5-1204X*	5-7438X**	
1975-1976	Montego	5.8L	A	5	5-153X*	5-1310-1X* 5-1310X**	

\* GREASEABLE \*\* NON-GREASEABLE

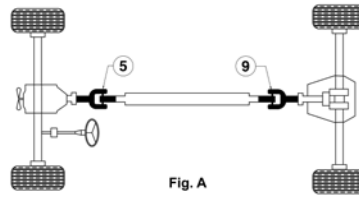


Fig. A

PASSENGER

**Mercury (Cont'd)**

Year	Model	Description	Fig.	Location	Spicer Part #	SPL (Uncoated) Part #	SPL (Coated) Part #
1975-1976	Montego	6.6L; 7.5L	A	5	5-213X*	5-1330-1X* 5-1330X**	
	Montego	5.8L; 6.6L	A	9		5-7439X**	
	Montego	7.5L	A	9	5-1204X*	5-7438X**	
1950-1954	Monterey		A	5	5-3242X*		
	Monterey		A	9	5-2031X*		
1955-1959	Monterey		A	5,9	5-153X*	5-1310-1X* 5-1310X**	
1960	Monterey		A	5	5-153X*	5-1310-1X* 5-1310X**	
	Monterey	5.1L	A	9	5-153X*	5-1310-1X* 5-1310X**	
	Monterey	6.3L; 7.0L	A	9	5-134X*		
1961-1962	Monterey		A	5	5-1200X*		
	Monterey		A	9		5-7439X**	
1963	Monterey	6.4L; 7.0L; From 6/3/63	A	5	5-1203X*		
	Monterey	6.4L; 7.0L; To 6/3/63	A	5	5-1200X*		
	Monterey	6.4L; 7.0L; From 6/3/63	A	9	5-1204X*	5-7438X**	
	Monterey	6.4L; 7.0L; To 6/3/63	A	9		5-7439X**	
1965	Monterey	w/ 3.500" O.D. Yoke	A	5	5-153X*	5-1310-1X* 5-1310X**	
	Monterey	w/ 3.875" O.D. Yoke	A	5	5-213X*	5-1330-1X* 5-1330X**	
	Monterey	w/ 3.500" O.D. Yoke	A	9		5-7439X**	
	Monterey	w/ 3.875" O.D. Yoke	A	9	5-1204X*	5-7438X**	
1966-1974	Monterey		A	5	5-213X*	5-1330-1X* 5-1330X**	
	Monterey		A	9	5-1204X*	5-7438X**	
1978-1983	Zephyr		A	5,9	5-153X*	5-1310-1X* 5-1310X**	

**MG**

Year	Model	Description	Fig.	Location	Spicer Part #	SPL (Uncoated) Part #	SPL (Coated) Part #
1962-1967	1100	From Vin #F M110572	A	5,9	5-101X**		
1968-1969	1300	From Vin #F M110572	A	5,9	5-101X**		
1959-1968	Magnette	From Vin #F M110572	A	5,9	5-101X**		
1956-1962	MGA	From Vin #F M110572	A	5,9	5-101X**		
1962-1980	MGB	From Vin #F M110572	A	5,9	5-101X**		
1968-1969	MGC	From Vin #F M110572	A	5,9	5-101X**		
1962-1979	Midget	From Vin #F M110572	A	5,9	5-101X**		
1945-1949	TC	From Vin #F M110572	A	5,9	5-101X**		
1949-1953	TD	From Vin #F M110572	A	5,9	5-101X**		
1951-1953	TDC	From Vin #F M110572	A	5,9	5-101X**		
1954-1955	TF	From Vin #F M110572	A	5,9	5-101X**		
1947-1950	YA	From Vin #F M110572	A	5,9	5-101X**		
1951-1953	YB	From Vin #F M110572	A	5,9	5-101X**		
1947-1950	YT	From Vin #F M110572	A	5,9	5-101X**		
1954-1956	ZA	From Vin #F M110572	A	5,9	5-101X**		
1957-1958	ZB	From Vin #F M110572	A	5,9	5-101X**		

\* GREASEABLE \*\* NON-GREASEABLE

**Mitsubishi**

Year	Model	Description	Fig.	Location	Spicer Part #	SPL (Uncoated) Part #	SPL (Coated) Part #
1983-1989	Starion		A	5,9	5-3217X*		

**Morris**

Year	Model	Description	Fig.	Location	Spicer Part #	SPL (Uncoated) Part #	SPL (Coated) Part #
1956-1971	Minor		A	5,9	5-101X**		
1959-1971	Oxford		A	5,9	5-101X**		

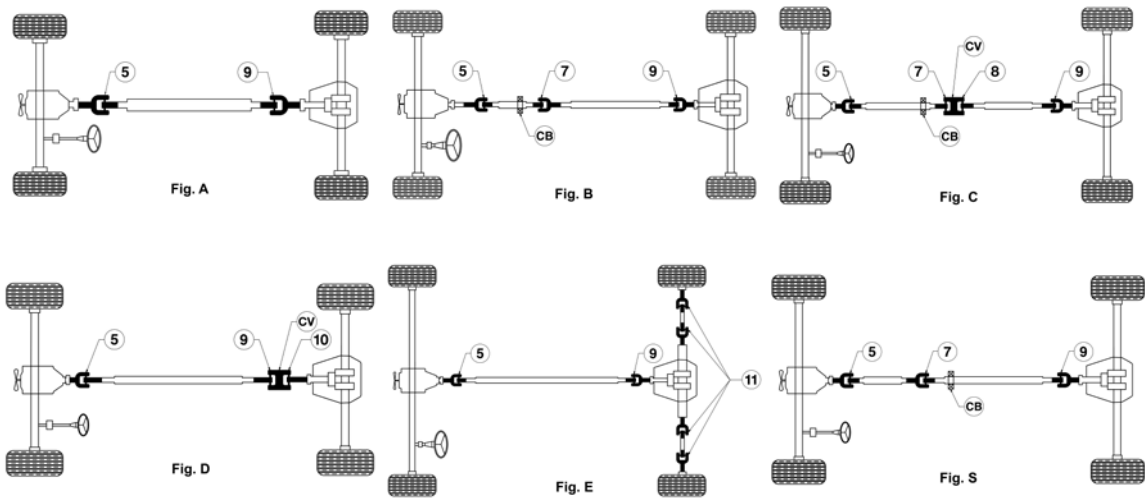
**Nissan**

Year	Model	Description	Fig.	Location	Spicer Part #	SPL (Uncoated) Part #	SPL (Coated) Part #
1966-1971	1000	Standard Bed; 1-Piece Driveshaft	A	5,9	5-1501X*		
	1000	Standard Bed; 2-Piece Driveshaft	B	5,7,9	5-1501X*		
1971-1973	1200	Standard Bed; 1-Piece Driveshaft	A	5,9	5-1501X*		
	1200	Standard Bed; 2-Piece Driveshaft	B	5,7,9	5-1501X*		
1972-1973	1300	Standard Bed; 1-Piece Driveshaft	A	5,9	5-1501X*		
	1300	Standard Bed; 2-Piece Driveshaft	B	5,7,9	5-1501X*		
1966-1970	1600	1-Piece Driveshaft	A	5,9	5-1501X*		
	1600	2-Piece Driveshaft	B	5,7,9	5-1501X*		
1967-1970	2000	Standard Bed; 1-Piece Driveshaft	A	5,9	5-1501X*		
	2000	Standard Bed; 2-Piece Driveshaft	B	5,7,9	5-1501X*		
1970-1973	240Z		E	11	5-1505X*		
	240Z		E	5,9	5-1501X*		
1974-1975	260Z		E	11	5-1505X*		
	260Z		E	5,9	5-1501X*		
1975-1978	280Z		E	11	5-1505X*		
	280Z		E	5,9	5-1501X*		
1966-1967	411	Standard Bed; 1-Piece Driveshaft	A	5,9	5-1501X*		
	411	Standard Bed; 2-Piece Driveshaft	B	5,7,9	5-1501X*		
1978-1979	510		A	5,9	5-1501X*		
1973-1974	610	Standard Bed; 1-Piece Driveshaft	A	5,9	5-1501X*		
	610	Standard Bed; 2-Piece Driveshaft	B	5,7,9	5-1501X*		
1975-1976	610		A	5,9	5-1501X*		
1974	710	1-Piece Driveshaft	A	5,9	5-1501X*		
	710	2-Piece Driveshaft	B	5,7,9	5-1501X*		
1975-1977	710		A	5,9	5-1501X*		
1977-1978	810	Sedan	E	11	5-1505X*		
1979-1980	810	Hardtop; Sedan	E	11	5-1505X*		
1970-1973	B110		A	5,9	5-1500X**		
1984	Maxima		E	11	5-1505X*		

**Oldsmobile**

Year	Model	Description	Fig.	Location	Spicer Part #	SPL (Uncoated) Part #	SPL (Coated) Part #
1950	88		A	5	5-3242X*		
	88		A	9	5-2031X*		
1954-1956	88	Auto Trans	A	5	5-3147X*	5-795X**	
	88	Standard Trans	A	5	5-3242X*		
	88	Auto Trans	A	9	5-3264X*		
1957	88	w/ Inside Snap Rings	S	5,7,9	5-3147X*	5-795X**	
	88	1-Piece Driveshaft; Steel Driveshaft; 1.063" & 1.125" Bearing Cup Dia.	S	5,9	5-3022-1X*		
	88	w/ Outside Snap Rings	S	7	5-153X*	5-1310-1X* 5-1310X**	
1950	98		A	9	5-2031X*		
1950-1953	98		A	5	5-3242X*		
1954-1956	98	Auto Trans	A	5	5-3147X*	5-795X**	
	98	Standard Trans	A	5	5-3242X*		
	98	Auto Trans	A	9	5-3264X*		
1957-1958	98	1-Piece Driveshaft; Steel Driveshaft; 1.063" & 1.125" Bearing Cup Dia.	S	5,9	5-3022-1X*		

\* GREASEABLE \*\* NON-GREASEABLE



**Oldsmobile (Cont'd)**

Year	Model	Description	Fig.	Location	Spicer Part #	SPL (Uncoated) Part #	SPL (Coated) Part #
1957-1958	98	w/ Outside Snap Rings	S	7	5-153X*	5-1310-1X* 5-1310X**	
1957-1960	98	w/ Inside Snap Rings	S	5,7,9	5-3147X*	5-795X**	
1959-1960	98	w/ Outside Snap Rings	S	5,7	5-153X*	5-1310-1X* 5-1310X**	
	98	1-Piece Driveshaft; Steel Driveshaft; 1.063" & 1.125" Bearing Cup Dia.	S	9	5-3022-1X*		
1961-1963	98	w/ Outside Snap Rings	A	5	5-153X*	5-1310-1X* 5-1310X**	
	98	1-Piece Driveshaft; Steel Driveshaft; 1.063" & 1.125" Bearing Cup Dia.	A	9	5-3022-1X*		
1964-1965	98		A	5,9	5-3147X*	5-795X**	
1968-1970	98		A	5	5-213X*	5-1330-1X* 5-1330X**	
	98		A	9	5-212X*	5-793X**	
1971-1981	98	1-Piece Driveshaft	A	5,9	5-3147X*	5-795X**	
	98	2-Piece Driveshaft	D	5,9,10	5-3147X*	5-795X**	
1973-1978	98	Exc. Wagon	D	CV	211009X		
1979	98	2 Piece Driveshaft	D	CV	211009X		
1982-1984	98	w/ Inside Snap Rings	A	5,9	5-3147X*	5-795X**	
	98	w/ Outside Snap Rings	A	5,9	5-178X*	5-1350-1X* 5-1350X**	SPL30-1350XC**
1982-1985	Custom Cruiser	w/ Inside Snap Rings	A	5,9	5-3147X*	5-795X**	
	Custom Cruiser	w/ Outside Snap Rings	A	5,9	5-178X*	5-1350-1X* 5-1350X**	SPL30-1350XC**
1986-1992	Custom Cruiser		A	5,9	5-3147X*	5-795X**	
1961-1963	Cutlass		C	5	5-3242X*		
	Cutlass		C	7,8	5-3263X*		
	Cutlass		C	9	5-3242X*		
1964-1965	Cutlass		A	5,9	5-3147X*	5-795X**	
1966-1967	Cutlass	w/ Outside Snap Rings	A	5,9	5-178X*	5-1350-1X* 5-1350X**	SPL30-1350XC**
1966-1981	Cutlass	w/ Inside Snap Rings	A	5,9	5-3147X*	5-795X**	
1978	Cutlass Calais		A	5,9	5-3147X*	5-795X**	
1980-1981	Cutlass Cruiser		A	5,9	5-3147X*	5-795X**	
1982-1983	Cutlass Cruiser	w/ Inside Snap Rings	A	5,9	5-3147X*	5-795X**	
	Cutlass Cruiser	w/ Outside Snap Rings	A	5,9	5-178X*	5-1350-1X* 5-1350X**	SPL30-1350XC**
1975-1980	Cutlass Salon		A	5,9	5-3147X*	5-795X**	
1982-1984	Cutlass Supreme	w/ Inside Snap Rings	A	5,9	5-3147X*	5-795X**	

\* GREASEABLE \*\* NON-GREASEABLE

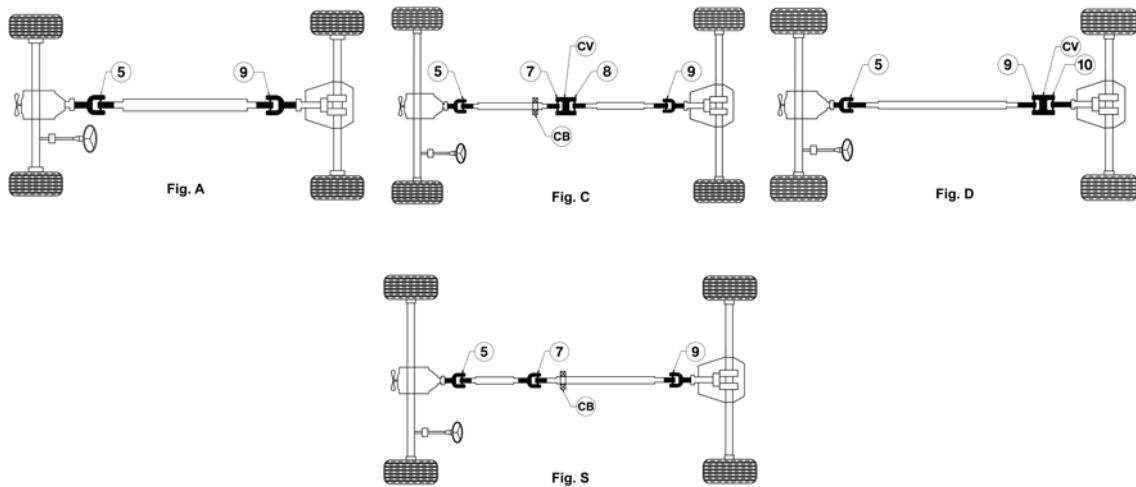
**Oldsmobile (Cont'd)**

PASSENGER

Year	Model	Description	Fig.	Location	Spicer Part #	SPL (Uncoated) Part #	SPL (Coated) Part #
1982-1984	Cutlass Supreme	w/ Outside Snap Rings	A	5,9	5-178X*	5-1350-1X* 5-1350X**	SPL30-1350XC**
1985-1988 1976	Cutlass Supreme		A	5,9	5-3147X*	5-795X**	
	Cutlass Tiara		A	5,9	5-3147X*	5-795X**	
1968-1970	Delta 88	7.5L	A	5	5-213X*	5-1330-1X* 5-1330X**	
	Delta 88	5.7L	A	5,9	5-3147X*	5-795X**	
	Delta 88	7.5L	A	9	5-212X*	5-793X**	
1971-1979	Delta 88	1-Piece Driveshaft	A	5,9	5-3147X*	5-795X**	
	Delta 88	2-Piece Driveshaft	D	5,9,10	5-3147X*	5-795X**	
1973-1978 1979	Delta 88	Royale	D	CV	211009X		
	Delta 88	Royale; 2 Piece Driveshaft	D	CV	211009X		
1980-1981	Delta 88		A	5,9	5-3147X*	5-795X**	
1982-1985	Delta 88	w/ Inside Snap Rings	A	5,9	5-3147X*	5-795X**	
	Delta 88	w/ Outside Snap Rings	A	5,9	5-178X*	5-1350-1X* 5-1350X**	SPL30-1350XC**
1951-1953	Deluxe 88		A	5	5-3242X*		
	Deluxe 88		A	9	5-3264X*		
1961-1963	F85		C	5	5-3242X*		
	F85		C	7,8	5-3263X*		
	F85		C	9	5-3242X*		
1966-1967	F85	w/ Inside Snap Rings	A	5,9	5-3147X*	5-795X**	
	F85	w/ Outside Snap Rings	A	5,9	5-178X*	5-1350-1X* 5-1350X**	SPL30-1350XC**
1970	F85	7.5L	A	5	5-213X*	5-1330-1X* 5-1330X**	
	F85	4.1L; 5.7L	A	5,9	5-3147X*	5-795X**	
	F85	7.5L	A	9	5-212X*	5-793X**	
1971-1972 1953	F85		A	5,9	5-3147X*	5-795X**	
1957-1958	Fiesta	1-Piece Driveshaft; Steel Driveshaft; 1.063" & 1.125" Bearing Cup Dia.	S	5,9	5-3022-1X*		
	Fiesta	w/ Outside Snap Rings	S	7	5-153X*	5-1310-1X* 5-1310X**	
1957-1960	Fiesta	w/ Inside Snap Rings	S	5,7,9	5-3147X*	5-795X**	
1959-1960	Fiesta	w/ Outside Snap Rings	S	5,7	5-153X*	5-1310-1X* 5-1310X**	
	Fiesta	1-Piece Driveshaft; Steel Driveshaft; 1.063" & 1.125" Bearing Cup Dia.	S	9	5-3022-1X*		
1961-1963	Fiesta	w/ Outside Snap Rings	A	5	5-153X*	5-1310-1X* 5-1310X**	
	Fiesta	w/ Inside Snap Rings	A	5,9	5-3147X*	5-795X**	
	Fiesta	1-Piece Driveshaft; Steel Driveshaft; 1.063" & 1.125" Bearing Cup Dia.	A	9	5-3022-1X*		
1964	Fiesta		A	5,9	5-3147X*	5-795X**	
1962-1963	Jetfire		C	5	5-3242X*		
	Jetfire		C	7,8	5-3263X*		
	Jetfire		C	9	5-3242X*		
1973-1979	Omega		A	5,9	5-153X*	5-1310-1X* 5-1310X**	
1946-1949	Series 98	1-Piece Driveshaft; w/ Inside Lock Ring	A	5	5-3242X*		
1957	Starfire	w/ Inside Snap Rings	S	5,7,9	5-3147X*	5-795X**	
	Starfire	1-Piece Driveshaft; Steel Driveshaft; 1.063" & 1.125" Bearing Cup Dia.	S	5,9	5-3022-1X*		
	Starfire	w/ Outside Snap Rings	S	7	5-153X*	5-1310-1X* 5-1310X**	
1961-1963	Starfire	w/ Outside Snap Rings	A	5	5-153X*	5-1310-1X* 5-1310X**	
	Starfire	1-Piece Driveshaft; Steel Driveshaft; 1.063" & 1.125" Bearing Cup Dia.	A	9	5-3022-1X*		
1964-1965	Starfire		A	5,9	5-3147X*	5-795X**	

\* GREASEABLE \*\* NON-GREASEABLE





**Oldsmobile (Cont'd)**

Year	Model	Description	Fig.	Location	Spicer Part #	SPL (Uncoated) Part #	SPL (Coated) Part #
1966	Starfire	w/ Inside Snap Rings	A	5,9	5-3147X*	5-795X**	
	Starfire	w/ Outside Snap Rings	A	5,9	5-178X*	5-1350-1X* 5-1350X**	SPL30-1350XC**
1975-1980	Starfire		A	5,9	5-153X*	5-1310-1X* 5-1310X**	
1966-1967	Vista Cruiser	w/ Inside Snap Rings	A	5,9	5-3147X*	5-795X**	
	Vista Cruiser	w/ Outside Snap Rings	A	5,9	5-178X*	5-1350-1X* 5-1350X**	SPL30-1350XC**
1970	Vista Cruiser	7.5L	A	5	5-213X*	5-1330-1X* 5-1330X**	
	Vista Cruiser	5.7L	A	5,9	5-3147X*	5-795X**	
	Vista Cruiser	7.5L	A	9	5-212X*	5-793X**	
1971-1975	Vista Cruiser		A	5,9	5-3147X*	5-795X**	

**Opel**

Year	Model	Description	Fig.	Location	Spicer Part #	SPL (Uncoated) Part #	SPL (Coated) Part #
1954-1962	Caravan		A	5,9	5-105X*		
1968-1972	Opel		A	5,9	5-105X*		

**Plymouth**

Year	Model	Description	Fig.	Location	Spicer Part #	SPL (Uncoated) Part #	SPL (Coated) Part #
1976-1978	Arrow		A	5,9	5-1503X*		
1979-1980	Arrow	1.6L	A	5,9	5-1503X*		
	Arrow	2.6L	A	5,9	5-3217X*		
1964	Barracuda		A	9	5-3228X*	5-789X**	
1965	Barracuda	3.7L; 4.5L	A	5,9	5-3228X*	5-789X**	
1966	Barracuda	3.7L; 4.5L; 5.2L	A	5,9	5-3228X*	5-789X**	
1967	Barracuda		A	5,9	5-3228X*	5-789X**	
1968-1974	Barracuda	w/ 2.125" Snap Ring	A	5,9	5-3228X*	5-789X**	
	Barracuda	w/ 2.625" Snap Ring	A	5,9	5-1309X*	5-811X**	
1958-1964	Belvedere		A	9	5-3228X*	5-789X**	
1965	Belvedere		A	5,9	5-3228X*	5-789X**	
1966-1967	Belvedere	3.7L; 4.5L; 5.2L; 6.3L	A	5,9	5-3228X*	5-789X**	
	Belvedere	7.0L; 7.2L; w/ Inside Snap Rings	A	5,9	5-1309X*	5-811X**	
	Belvedere	7.0L; 7.2L; w/ Outside Snap Rings	A	5,9	5-213X*	5-1330-1X* 5-1330X**	
1968-1971	Belvedere	w/ 2.125" Snap Ring	A	5,9	5-3228X*	5-789X**	
	Belvedere	w/ 2.625" Snap Ring	A	5,9	5-1309X*	5-811X**	

\* GREASEABLE \*\* NON-GREASEABLE

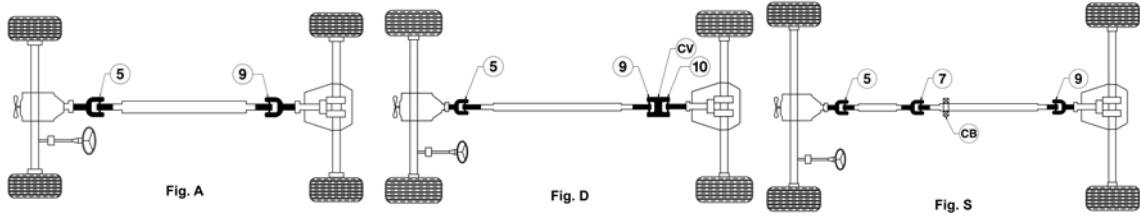
**Plymouth (Cont'd)**

Year	Model	Description	Fig.	Location	Spicer Part #	SPL (Uncoated) Part #	SPL (Coated) Part #
1984-1986	Conquest		A	5,9	5-3217X*		
1971-1974	Cricket		A	5,9	5-101X**		
1970-1976	Duster		A	5,9	5-3228X*	5-789X**	
1958-1964	Fury		A	9	5-3228X*	5-789X**	
1965	Fury	5.2L; 5.9L; 6.3L; 7.0L; Auto Trans	A	5	5-3228X*	5-789X**	
	Fury	5.2L; 5.9L; 6.3L; 7.0L	A	9	5-3228X*	5-789X**	
1966	Fury	3.7L; 5.2L; 6.3L	A	5,9	5-3228X*	5-789X**	
	Fury	7.0L; 7.2L; w/ Inside Snap Rings	A	5,9	5-1309X*	5-811X**	
	Fury	7.0L; 7.2L; w/ Outside Snap Rings	A	5,9	5-213X*	5-1330-1X* 5-1330X**	
1967	Fury	3.7L; 5.2L	A	5,9	5-3228X*	5-789X**	
	Fury	7.2L; w/ Inside Snap Rings	A	5,9	5-1309X*	5-811X**	
	Fury	7.2L; w/ Outside Snap Rings	A	5,9	5-213X*	5-1330-1X* 5-1330X**	
1968-1978	Fury	w/ 2.125" Snap Ring	A	5,9	5-3228X*	5-789X**	
	Fury	w/ 2.625" Snap Ring	A	5,9	5-1309X*	5-811X**	
1968-1974	Fury I	w/ 2.125" Snap Ring	A	5,9	5-3228X*	5-789X**	
	Fury I	w/ 2.625" Snap Ring	A	5,9	5-1309X*	5-811X**	
1968-1974	Fury II	w/ 2.125" Snap Ring	A	5,9	5-3228X*	5-789X**	
	Fury II	w/ 2.625" Snap Ring	A	5,9	5-1309X*	5-811X**	
1968-1974	Fury III	w/ 2.125" Snap Ring	A	5,9	5-3228X*	5-789X**	
	Fury III	w/ 2.625" Snap Ring	A	5,9	5-1309X*	5-811X**	
1972-1977	Gran Fury	w/ 2.125" Snap Ring	A	5,9	5-3228X*	5-789X**	
	Gran Fury	w/ 2.625" Snap Ring	A	5,9	5-1309X*	5-811X**	
1980-1989	Gran Fury		A	5,9	5-3228X*	5-789X**	
1967	GTX	w/ Inside Snap Rings	A	5,9	5-1309X*	5-811X**	
	GTX	w/ Outside Snap Rings	A	5,9	5-213X*	5-1330-1X* 5-1330X**	
1968-1971	GTX	w/ 2.125" Snap Ring	A	5,9	5-3228X*	5-789X**	
	GTX	w/ 2.625" Snap Ring	A	5,9	5-1309X*	5-811X**	
1968-1975	Road Runner	w/ 2.125" Snap Ring	A	5,9	5-3228X*	5-789X**	
	Road Runner	w/ 2.625" Snap Ring	A	5,9	5-1309X*	5-811X**	
1978-1980	Sapporo		A	5,9	5-3217X*		
1981-1983	Sapporo	Auto Trans	S	5,7,9	5-1503X*		
	Sapporo	Standard Trans	S	5,7,9	5-3217X*		
1965	Satellite		A	5,9	5-3228X*	5-789X**	
1966-1967	Satellite	3.7L; 4.5L; 5.2L; 6.3L	A	5,9	5-3228X*	5-789X**	
	Satellite	7.0L; 7.2L; w/ Inside Snap Rings	A	5,9	5-1309X*	5-811X**	
	Satellite	7.0L; 7.2L; w/ Outside Snap Rings	A	5,9	5-213X*	5-1330-1X* 5-1330X**	
1968-1974	Satellite	w/ 2.125" Snap Ring	A	5,9	5-3228X*	5-789X**	
	Satellite	w/ 2.625" Snap Ring	A	5,9	5-1309X*	5-811X**	
1958-1961	Suburban		A	9	5-3228X*	5-789X**	
1960-1965	Valiant		A	9	5-3228X*	5-789X**	
1966-1969	Valiant	w/ 2.125" Snap Ring	A	5,9	5-3228X*	5-789X**	
	Valiant	w/ 2.625" Snap Ring	A	5,9	5-1309X*	5-811X**	
1970-1976	Valiant		A	5,9	5-3228X*	5-789X**	
1976-1980	Volare		A	5,9	5-3228X*	5-789X**	

**Pontiac**

Year	Model	Description	Fig.	Location	Spicer Part #	SPL (Uncoated) Part #	SPL (Coated) Part #
1976-1987	Acadian		A	5,9	5-3254X*		
1975-1977	Astre		A	5,9	5-153X*	5-1310-1X* 5-1310X**	
1957-1970	Bonneville		A	5,9	5-3147X*	5-795X**	
1971-1981	Bonneville	2-Piece Driveshaft	D	5,9,10	5-3147X*	5-795X**	
1973-1978	Bonneville	Exc. Wagon	D	CV	211009X		
1977-1978	Bonneville	1-Piece Driveshaft	A	5,9	5-3147X*	5-795X**	
1979	Bonneville	2 Piece Driveshaft	D	CV	211009X		

\* GREASEABLE \*\* NON-GREASEABLE



**Pontiac (Cont'd)**

Year	Model	Description	Fig.	Location	Spicer Part #	SPL (Uncoated) Part #	SPL (Coated) Part #
1979-1981	Bonneville	1-Piece Driveshaft; w/ Inside Snap Rings	A	5,9	5-3147X*	5-795X**	
	Bonneville	1-Piece Driveshaft; w/ Outside Snap Rings	A	5,9	5-178X*	5-1350-1X* 5-1350X**	SPL30-1350XC**
1982-1986	Bonneville	w/ Inside Snap Rings	A	5,9	5-3147X*	5-795X**	
	Bonneville	w/ Outside Snap Rings	A	5,9	5-178X*	5-1350-1X* 5-1350X**	SPL30-1350XC**
1953	Catalina	Exc. Powerglide	A	5	5-3242X*		
	Catalina	Powerglide	A	5,9	5-153X*	5-1310-1X* 5-1310X**	
	Catalina	Exc. Powerglide	A	9	5-2031X*		
1954-1955	Catalina		A	5	5-3242X*		
	Catalina		A	9	5-2031X*		
1956-1970	Catalina		A	5,9	5-3147X*	5-795X**	
1971-1979	Catalina	1-Piece Driveshaft	A	5,9	5-3147X*	5-795X**	
1971-1981	Catalina	2-Piece Driveshaft	D	5,9,10	5-3147X*	5-795X**	
1973-1978	Catalina	Exc. Wagon	D	CV	211009X		
1979	Catalina	2 Piece Driveshaft	D	CV	211009X		
1980-1981	Catalina	1-Piece Driveshaft; w/ Inside Snap Rings	A	5,9	5-3147X*	5-795X**	
	Catalina	1-Piece Driveshaft; w/ Outside Snap Rings	A	5,9	5-178X*	5-1350-1X* 5-1350X**	SPL30-1350XC**
1953	Chieftain	Exc. Powerglide	A	5	5-3242X*		
	Chieftain	Powerglide	A	5,9	5-153X*	5-1310-1X* 5-1310X**	
	Chieftain	Exc. Powerglide	A	9	5-2031X*		
1954-1955	Chieftain		A	5	5-3242X*		
	Chieftain		A	9	5-2031X*		
1956-1957	Chieftain		A	5,9	5-3147X*	5-795X**	
1958	Chieftain		S	5,7,9	5-3147X*	5-795X**	
1967-1970	Executive		A	5,9	5-3147X*	5-795X**	
1967-1968	Firebird	Hydromatic	A	5	5-3147X*	5-795X**	
	Firebird	Exc. Hydromatic	A	5,9	5-153X*	5-1310-1X* 5-1310X**	
	Firebird	Hydromatic	A	9	5-212X*	5-793X**	
1969-1974	Firebird		A	5,9	5-153X*	5-1310-1X* 5-1310X**	
1975-1984	Firebird	w/ Inside Snap Rings	A	5,9	5-3147X*	5-795X**	
	Firebird	w/ Outside Snap Rings	A	5,9	5-178X*	5-1350-1X* 5-1350X**	SPL30-1350XC**
1985-1987	Firebird		A	5,9	5-3147X*	5-795X**	
1988-1992	Firebird	w/ Aluminum Shaft	A	5		5-3613X**	
	Firebird	w/ Steel Shaft	A	5,9	5-3147X*	5-795X**	
	Firebird	1-Piece Driveshaft; Steel Driveshaft; 1.063" & 1.125" Bearing Cup Dia.	A	9	5-3022-1X*		
1993-1994	Firebird	3.4L; 2-Piece Driveshaft	S	5,9	5-3147X*	5-795X**	
1993-1999	Firebird	5.7L; 1-Piece Driveshaft	A	5,9	5-3147X*	5-795X**	
1995	Firebird	3.4L; 3.8L; 2-Piece Driveshaft	S	5,9	5-3147X*	5-795X**	
1996-1999	Firebird	3.8L; 2-Piece Driveshaft	S	5,9	5-3147X*	5-795X**	
2000-2002	Firebird	1-Piece Driveshaft	A	5,9	5-3147X*	5-795X**	
1978-1980	Grand Am		A	5,9	5-3147X*	5-795X**	
1975-1982	Grand LeMans		A	5,9	5-3147X*	5-795X**	

\* GREASEABLE \*\* NON-GREASEABLE

**Pontiac (Cont'd)**

PASSENGER

Year	Model	Description	Fig.	Location	Spicer Part #	SPL (Uncoated) Part #	SPL (Coated) Part #
1962-1984	Grand Prix		A	5,9	5-3147X*	5-795X**	
1985-1987	Grand Prix	w/ Inside Snap Rings	A	5,9	5-3147X*	5-795X**	
	Grand Prix	w/ Outside Snap Rings	A	5,9	5-178X*	5-1350-1X* 5-1350X**	SPL30-1350XC**
1971-1975	Grandville	1-Piece Driveshaft	A	5,9	5-3147X*	5-795X**	
	Grandville	2-Piece Driveshaft	D	5,9,10	5-3147X*	5-795X**	
1973-1975	Grandville	Exc. Wagon	D	CV	211009X		
1964-1973	GTO		A	5,9	5-3147X*	5-795X**	
1963-1981	LeMans		A	5,9	5-3147X*	5-795X**	
1987-1989	Safari		A	5,9	5-3147X*	5-795X**	
1954-1955	Star Chief		A	5	5-3242X*		
	Star Chief		A	9	5-2031X*		
1958-1960	Star Chief		S	5,7,9	5-3147X*	5-795X**	
1961-1966	Star Chief		A	5,9	5-3147X*	5-795X**	
1946-1951	Streamliner		A	9	5-2031X*		
1946-1952	Streamliner		A	5	5-3242X*		
1976-1980	Sunbird		A	5,9	5-153X*	5-1310-1X* 5-1310X**	
1961-1970	Tempest		A	5,9	5-3147X*	5-795X**	
1946-1948	Torpedo		A	5	5-3242X*		
	Torpedo		A	9	5-2031X*		

**Rolls-Royce**

Year	Model	Description	Fig.	Location	Spicer Part #	SPL (Uncoated) Part #	SPL (Coated) Part #
1975-1979	Camargue		A	5,9	5-178X*	5-1350-1X* 5-1350X**	SPL30-1350XC**
1971-1979	Corniche		A	5,9	5-178X*	5-1350-1X* 5-1350X**	SPL30-1350XC**
1959-1970	Phantom		A	5,9	5-178X*	5-1350-1X* 5-1350X**	SPL30-1350XC**
1955-1965	Silver Cloud		A	5,9	5-178X*	5-1350-1X* 5-1350X**	SPL30-1350XC**
1950-1954	Silver Dawn		A	5,9	5-178X*	5-1350-1X* 5-1350X**	SPL30-1350XC**
1966-1976	Silver Shadow		A	5,9	5-178X*	5-1350-1X* 5-1350X**	SPL30-1350XC**
1977-1979	Silver Shadow II		A	5,9	5-178X*	5-1350-1X* 5-1350X**	SPL30-1350XC**
1950-1958	Silver Wraith		A	5,9	5-178X*	5-1350-1X* 5-1350X**	SPL30-1350XC**
1977-1979	Silver Wraith II		A	5,9	5-178X*	5-1350-1X* 5-1350X**	SPL30-1350XC**

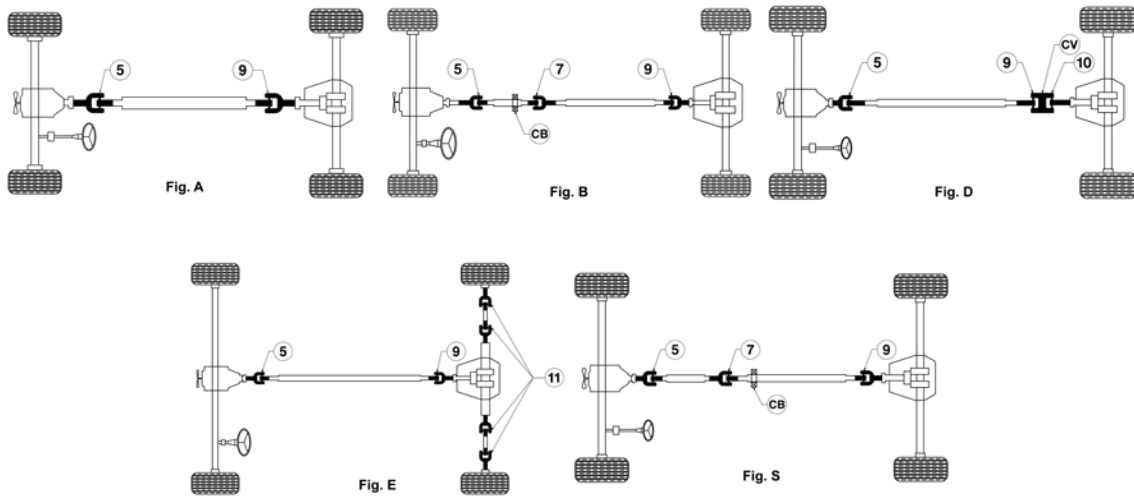
**Rover**

Year	Model	Description	Fig.	Location	Spicer Part #	SPL (Uncoated) Part #	SPL (Coated) Part #
1969-1973	2000		E	5,9	5-153X*	5-1310-1X* 5-1310X**	
1970-1973	2000		E	11	5-178X*	5-1350-1X* 5-1350X**	SPL30-1350XC**
1969	3500S		A	5,9	5-153X*	5-1310-1X* 5-1310X**	
1970-1974	3500S		E	11	5-178X*	5-1350-1X* 5-1350X**	SPL30-1350XC**
	3500S		E	5,9	5-153X*	5-1310-1X* 5-1310X**	

**Simca**

Year	Model	Description	Fig.	Location	Spicer Part #	SPL (Uncoated) Part #	SPL (Coated) Part #
1963-1968	1000		A	5,9	5-101X**		
1963-1968	1000S		A	5,9	5-101X**		

\* GREASEABLE \*\* NON-GREASEABLE



PASSENGER

**Simca (Cont'd)**

Year	Model	Description	Fig.	Location	Spicer Part #	SPL (Uncoated) Part #	SPL (Coated) Part #
1963-1968	5		A	5,9	5-101X**		
1959-1961	Ariane		A	5,9	5-101X**		
1957-1961	Aronde		A	5,9	5-101X**		
1957-1961	Vedette		A	5,9	5-101X**		

**SRT**

Year	Model	Description	Fig.	Location	Spicer Part #	SPL (Uncoated) Part #	SPL (Coated) Part #
2013-2014	Viper		A	5,9	5-178X*	5-1350-1X* 5-1350X**	SPL30-1350C**

**Subaru**

Year	Model	Description	Fig.	Location	Spicer Part #	SPL (Uncoated) Part #	SPL (Coated) Part #
1975-1980	DL	Wagon	A	5,9	5-1501X*		
1979-1980	GL	Wagon	A	5,9	5-1501X*		
1999	Legacy	Auto Trans; Exc. Outback	B	5,7,9	5-443X*		

**Sunbeam**

Year	Model	Description	Fig.	Location	Spicer Part #	SPL (Uncoated) Part #	SPL (Coated) Part #
1964-1968	Alpine		A	5,9	5-101X**		
1966-1967	Imp		A	5,9	5-101X**		
1956-1970	Rapier		A	5,9	5-101X**		
1965-1967	Tiger		A	5,9	5-153X*	5-1310-1X* 5-1310X**	

**Toyota**

Year	Model	Description	Fig.	Location	Spicer Part #	SPL (Uncoated) Part #	SPL (Coated) Part #
1971-1973	Carina	1-Piece Driveshaft	A	5,9	5-3223X*		
	Carina	2-Piece Driveshaft	S	5,7,9	5-3223X*		
1971-1982	Celica	1-Piece Driveshaft	A	5,9	5-3223X*		
	Celica	2-Piece Driveshaft	S	5,7,9	5-3223X*		
1969-1979	Corolla	1.2L	A	5,9	5-1500X**		
1971-1979	Corolla	1.6L	A	5,9	5-3223X*		
1980-1983	Corolla	Sedan	S	5,7,9	5-3223X*		
1967-1982	Corona	1-Piece Driveshaft	A	5,9	5-3223X*		
	Corona	2-Piece Driveshaft	S	5,7,9	5-3223X*		
1978-1984	Cressida	Wagon; 1-Piece Driveshaft	A	5,9	5-3223X*		

\* GREASEABLE \*\* NON-GREASEABLE

**Toyota (Cont'd)**

Year	Model	Description	Fig.	Location	Spicer Part #	SPL (Uncoated) Part #	SPL (Coated) Part #
1978-1984	Cressida	Sedan; 2-Piece Driveshaft	S	5,7,9	5-3223X*		
1964-1965	Crown		A	5,9	5-3223X*		
1966-1967	Crown	To 8/66	A	5,9	5-3223X*		
1967	Crown	From 9/66	A	5,9	5-1510X*		
1968-1970	Crown		A	5,9	5-1510X*		
1971	Crown	1-Piece Driveshaft; To 1/71	A	5,9	5-1510X*		
	Crown	2-Piece Driveshaft; From 2/71	S	5,7,9	5-1510X*		
1972	Crown		S	5,7,9	5-1510X*		
	Mark II	1-Piece Driveshaft	A	5,9	5-3223X*		
1972-1976	Mark II	2-Piece Driveshaft	S	5,7,9	5-3223X*		
	Starlet		A	5,9	5-1500X**		
1986-1993	Supra		S	5,7,9	5-1510X*		

**Triumph**

Year	Model	Description	Fig.	Location	Spicer Part #	SPL (Uncoated) Part #	SPL (Coated) Part #
1967	2000		A	5,9	5-101X**		
1967-1973	GT6		E	5,9,11	5-101X**		
1961-1970	Herald		E	5,9,11	5-101X**		
1963-1979	Spitfire		E	5,9,11	5-101X**		
1980	Spitfire	From Vin #F M110572	A	5,9	5-101X**		
1970-1973	Stag		A	5,9	5-3214X*		
1953-1956	TR2		E	5,9,11	5-3214X*		
1967-1969	TR250		E	5,9,11	5-3214X*		
1955-1957	TR3		E	5,9,11	5-3214X*		
1957-1962	TR3A		E	5,9,11	5-3214X*		
1962	TR3B		E	5,9,11	5-3214X*		
1961-1965	TR4		E	5,9,11	5-3214X*		
1965-1968	TR4A		E	5,9,11	5-3214X*		
1968-1976	TR6		E	5,9,11	5-3214X*		
1975-1976	TR7		E	5,9,11	5-3214X*		
1977-1980	TR7		A	5,9	5-101X**		
1980	TR8		A	5,9	5-101X**		

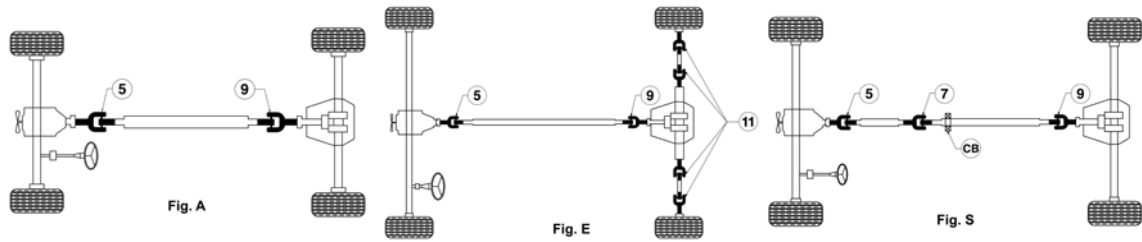
**Vauxhall**

Year	Model	Description	Fig.	Location	Spicer Part #	SPL (Uncoated) Part #	SPL (Coated) Part #
1949	Fourteen		A	5,9	5-101X**		
1949	Ten		A	5,9	5-101X**		
1949	Twelve		A	5,9	5-101X**		
1949	Velox		A	5,9	5-101X**		
1957-1963	Victor		A	5,9	5-101X**		
1949	Wyvern		A	5,9	5-101X**		

**Volvo**

Year	Model	Description	Fig.	Location	Spicer Part #	SPL (Uncoated) Part #	SPL (Coated) Part #
1960-1968	122		S	5,7,9	5-101X**		
1967-1974	142		S	5,7	5-101X**		
	142		S	9	5-3214X*		
1967-1974	144		S	5,7	5-101X**		
	144		S	9	5-3214X*		
1968-1974	145		S	5,7	5-101X**		
	145		S	9	5-3214X*		
1969-1975	164		S	5,7,9	5-153X*	5-1310-1X* 5-1310X**	
1961-1973	1800		S	5,7,9	5-101X**		
1990-1993	240		S	5,7,9	5-3214X*		
1975-1984	242	1.750" Driveshaft Dia.	S	5,7,9	5-101X**		

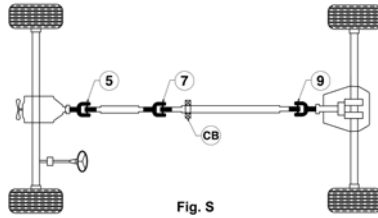
\* GREASEABLE \*\* NON-GREASEABLE



**Volvo (Cont'd)**

Year	Model	Description	Fig.	Location	Spicer Part #	SPL (Uncoated) Part #	SPL (Coated) Part #
1975-1984	242	2.000" Driveshaft Dia.	S	5,7,9	5-153X*	5-1310-1X* 5-1310X**	
1975-1984	244	1.750" Driveshaft Dia.	S	5,7	5-101X**		
	244	2.000" Driveshaft Dia.	S	5,7,9	5-153X*	5-1310-1X* 5-1310X**	
	244	1.750" Driveshaft Dia.	S	9	5-3214X*		
1985-1989	244		S	5,7,9	5-3214X*		
1975-1984	245	1.750" Driveshaft Dia.	S	5,7	5-101X**		
	245	2.000" Driveshaft Dia.	S	5,7,9	5-153X*	5-1310-1X* 5-1310X**	
	245	1.750" Driveshaft Dia.	S	9	5-3214X*		
1985-1989	245		S	5,7,9	5-3214X*		
1978-1981	262	1.750" Driveshaft Dia.	S	5,7	5-101X**		
	262	2.000" Driveshaft Dia.	S	5,7,9	5-153X*	5-1310-1X* 5-1310X**	
	262	1.750" Driveshaft Dia.	S	9	5-3214X*		
1976-1982	264	1.750" Driveshaft Dia.	S	5,7,9	5-101X**		
	264	2.000" Driveshaft Dia.	S	5,7,9	5-153X*	5-1310-1X* 5-1310X**	
	265	1.750" Driveshaft Dia.	S	5,7	5-101X**		
1978-1981	265	2.000" Driveshaft Dia.	S	5,7,9	5-153X*	5-1310-1X* 5-1310X**	
	265	1.750" Driveshaft Dia.	S	9	5-3214X*		
	265		S	5,7	5-101X**		
1985-1987	740	1.750" Driveshaft Dia.	S	5,7	5-101X**		
	740	2.000" Driveshaft Dia.; w/ 3.250" Yoke	S	5,7,9	5-3214X*		
	740	2.000" Driveshaft Dia.; w/ 3.500" Yoke	S	5,7,9	5-153X*	5-1310-1X* 5-1310X**	
	740	1.750" Driveshaft Dia.	S	9	5-3214X*		
	740	w/ 3.250" Yoke	S	5,7,9	5-3214X*		
1988-1992	740	w/ 3.500" Yoke	S	5,7,9	5-153X*	5-1310-1X* 5-1310X**	
	745	1.750" Driveshaft Dia.	S	5,7	5-101X**		
1985	745	2.000" Driveshaft Dia.; w/ 3.250" Yoke	S	5,7,9	5-3214X*		
	745	2.000" Driveshaft Dia.; w/ 3.500" Yoke	S	5,7,9	5-153X*	5-1310-1X* 5-1310X**	
	745	1.750" Driveshaft Dia.	S	9	5-3214X*		
1983-1984	760	0.938" Bearing Cup Dia.	S	5,7	5-101X**		
	760	1.062" Bearing Cup Dia.	S	5,7	5-3214X*		
	760		S	9	5-3214X*		
1985-1987	760	1.750" Driveshaft Dia.	S	5,7	5-101X**		
	760	2.000" Driveshaft Dia.; w/ 3.250" Yoke	S	5,7,9	5-3214X*		
	760	2.000" Driveshaft Dia.; w/ 3.500" Yoke	S	5,7,9	5-153X*	5-1310-1X* 5-1310X**	
	760	1.750" Driveshaft Dia.	S	9	5-3214X*		
1988-1990	760	w/ 3.250" Yoke	S	5,7,9	5-3214X*		
	760	w/ 3.500" Yoke	S	5,7,9	5-153X*	5-1310-1X* 5-1310X**	
1987	780	1.750" Driveshaft Dia.	S	5,7	5-101X**		
	780	2.000" Driveshaft Dia.; w/ 3.250" Yoke	S	5,7,9	5-3214X*		

\* GREASEABLE \*\* NON-GREASEABLE



**Volvo (Cont'd)**

Year	Model	Description	Fig.	Location	Spicer Part #	SPL (Uncoated) Part #	SPL (Coated) Part #
1987	780	2.000" Driveshaft Dia.; w/ 3.500" Yoke	S	5,7,9	5-153X*	5-1310-1X* 5-1310X**	
	780	1.750" Driveshaft Dia.	S	9	5-3214X*		
1988-1991	780	w/ 3.250" Yoke	S	5,7,9	5-3214X*		
	780	w/ 3.500" Yoke	S	5,7,9	5-153X*	5-1310-1X* 5-1310X**	
1991-1994	940		S	5,7,9	5-3214X*		
1992-1994	960		S	5,7,9	5-3214X*		
1984	DL	1.750" Driveshaft Dia.	S	5,7	5-101X**		
	DL	2.000" Driveshaft Dia.	S	5,7,9	5-153X*	5-1310-1X* 5-1310X**	
	DL	1.750" Driveshaft Dia.	S	9	5-3214X*		

\* GREASEABLE \*\* NON-GREASEABLE





**Buick**

Year	Model	Description	Fig.	Location	Spicer Part #	SPL (Uncoated) Part #	SPL (Coated) Part #
2004-2007	Rainier		A	5,9	5-3147X*	5-795X**	

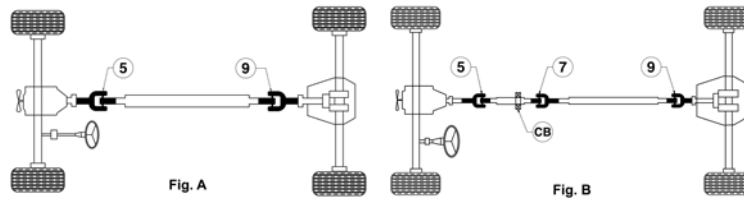
**Cadillac**

Year	Model	Description	Fig.	Location	Spicer Part #	SPL (Uncoated) Part #	SPL (Coated) Part #
2000	Escalade	1-Piece Driveshaft	A	5,9	5-3147X*	5-795X**	
2002-2005	Escalade	V8 5.3L; 1-Piece Driveshaft	A	5,9	5-3147X*	5-795X**	
2005-2006	Escalade	V8 6.0L; 1-Piece Driveshaft	A	5,9	5-3147X*	5-795X**	
2007	Escalade	V8 6.2L; 1-Piece Driveshaft	A	5,9	5-178X*	5-1350-1X* 5-1350X**	SPL30-1350XC**
2008-2014	Escalade	1-Piece Driveshaft	A	5,9	5-178X*	5-1350-1X* 5-1350X**	SPL30-1350XC**
2015-2016	Escalade	1-Piece Driveshaft	A	5,9	5-160X*	5-1410-1X* 5-1410X**	
2008	Escalade ESV	1-Piece Driveshaft	A	5,9	5-3147X*	5-795X**	
2009-2014	Escalade ESV	1-Piece Driveshaft	A	5,9	5-178X*	5-1350-1X* 5-1350X**	SPL30-1350XC**
2015-2016	Escalade ESV	1-Piece Driveshaft	A	5,9	5-160X*	5-1410-1X* 5-1410X**	

**Chevrolet**

Year	Model	Description	Fig.	Location	Spicer Part #	SPL (Uncoated) Part #	SPL (Coated) Part #
1959	3C	Standard Trans; 3-Speed; 1-Piece Driveshaft	A	5	5-153X*	5-1310-1X* 5-1310X**	
	3C	Auto Trans; 3-Speed; 4-Speed; 1-Piece Driveshaft	A	5,9	5-178X*	5-1350-1X* 5-1350X**	SPL30-1350XC**
	3C	Standard Trans; 3-Speed; 1-Piece Driveshaft	A	9	5-178X*	5-1350-1X* 5-1350X**	SPL30-1350XC**
	3C	Standard Trans; 3-Speed; 2-Piece Driveshaft	B	5	5-153X*	5-1310-1X* 5-1310X**	
	3C	Auto Trans; 3-Speed; 4-Speed; 2-Piece Driveshaft	B	5,7,9	5-178X*	5-1350-1X* 5-1350X**	SPL30-1350XC**
	3C	Standard Trans; 3-Speed; 2-Piece Driveshaft	B	7,9	5-178X*	5-1350-1X* 5-1350X**	SPL30-1350XC**
1959	3D	Standard Trans; 3-Speed; 1-Piece Driveshaft	A	5	5-153X*	5-1310-1X* 5-1310X**	
	3D	Auto Trans; 3-Speed; 4-Speed; 1-Piece Driveshaft	A	5,9	5-178X*	5-1350-1X* 5-1350X**	SPL30-1350XC**
	3D	Standard Trans; 3-Speed; 1-Piece Driveshaft	A	9	5-178X*	5-1350-1X* 5-1350X**	SPL30-1350XC**
	3D	Standard Trans; 3-Speed; 2-Piece Driveshaft	B	5	5-153X*	5-1310-1X* 5-1310X**	
	3D	Auto Trans; 3-Speed; 4-Speed; 2-Piece Driveshaft	B	5,7,9	5-178X*	5-1350-1X* 5-1350X**	SPL30-1350XC**
	3D	Standard Trans; 3-Speed; 2-Piece Driveshaft	B	7,9	5-178X*	5-1350-1X* 5-1350X**	SPL30-1350XC**
1959	3E	Standard Trans; 3-Speed; 1-Piece Driveshaft	A	5	5-153X*	5-1310-1X* 5-1310X**	
	3E	Auto Trans; 3-Speed; 4-Speed; 1-Piece Driveshaft	A	5,9	5-178X*	5-1350-1X* 5-1350X**	SPL30-1350XC**
	3E	Standard Trans; 3-Speed; 1-Piece Driveshaft	A	9	5-178X*	5-1350-1X* 5-1350X**	SPL30-1350XC**
	3E	Standard Trans; 3-Speed; 2-Piece Driveshaft	B	5	5-153X*	5-1310-1X* 5-1310X**	
	3E	Auto Trans; 3-Speed; 4-Speed; 2-Piece Driveshaft	B	5,7,9	5-178X*	5-1350-1X* 5-1350X**	SPL30-1350XC**
	3E	Standard Trans; 3-Speed; 2-Piece Driveshaft	B	7,9	5-178X*	5-1350-1X* 5-1350X**	SPL30-1350XC**
1959	3F	Standard Trans; 3-Speed; 1-Piece Driveshaft	A	5	5-153X*	5-1310-1X* 5-1310X**	
	3F	Auto Trans; 3-Speed; 4-Speed; 1-Piece Driveshaft	A	5,9	5-178X*	5-1350-1X* 5-1350X**	SPL30-1350XC**
	3F	Standard Trans; 3-Speed; 1-Piece Driveshaft	A	9	5-178X*	5-1350-1X* 5-1350X**	SPL30-1350XC**

\* GREASEABLE \*\* NON-GREASEABLE



**Chevrolet (Cont'd)**

Year	Model	Description	Fig.	Location	Spicer Part #	SPL (Uncoated) Part #	SPL (Coated) Part #
1959	3F	Standard Trans; 3-Speed; 2-Piece Driveshaft	B	5	5-153X*	5-1310-1X* 5-1310X**	
	3F	Auto Trans; 3-Speed; 4-Speed; 2-Piece Driveshaft	B	5,7,9	5-178X*	5-1350-1X* 5-1350X**	SPL30-1350XC**
	3F	Standard Trans; 3-Speed; 2-Piece Driveshaft	B	7,9	5-178X*	5-1350-1X* 5-1350X**	SPL30-1350XC**
1959	3G	2-Piece Driveshaft	B	5,7,9	5-178X*	5-1350-1X* 5-1350X**	SPL30-1350XC**
1985-2002	Astro		A	5	5-3147X*	5-795X**	
	Astro		A	9	5-178X*	5-1350-1X* 5-1350X**	SPL30-1350XC**
2003-2005	Astro		A	5,9	5-3147X*	5-795X**	
2007-2008	Avalanche	V8 5.3L; 1-Piece Driveshaft	A	5,9	5-3147X*	5-795X**	
	Avalanche	V8 6.0L; 1-Piece Driveshaft	A	5,9	5-178X*	5-1350-1X* 5-1350X**	SPL30-1350XC**
2009-2013	Avalanche	1-Piece Driveshaft	A	5,9	5-178X*	5-1350-1X* 5-1350X**	SPL30-1350XC**
2002-2006	Avalanche 1500	1-Piece Driveshaft	A	5	5-213X*	5-1330-1X* 5-1330X**	
	Avalanche 1500	1-Piece Driveshaft	A	9	5-212X*	5-793X**	
2002-2003	Avalanche 2500	1-Piece Driveshaft	A	5,9	5-160X*	5-1410-1X* 5-1410X**	
1995-2002	B7	1480/148N Series	B	CB	210866-1X		
1969-1973	Blazer	2-Speed; 3-Speed	A	5,9	5-153X*	5-1310-1X* 5-1310X**	
	Blazer	Standard Trans; 4-Speed	A	5,9	5-153X*	5-1310-1X* 5-1310X**	
1974	Blazer	Standard Trans; 4-Speed	A	5	5-178X*	5-1350-1X* 5-1350X**	SPL30-1350XC**
	Blazer	3-Speed	A	5,9	5-153X*	5-1310-1X* 5-1310X**	
	Blazer	Standard Trans; 4-Speed	A	9	5-153X*	5-1310-1X* 5-1310X**	
1995-1999	Blazer		A	5,9	5-3147X*	5-795X**	
2000-2005	Blazer	1-Piece Driveshaft	A	5,9	5-3147X*	5-795X**	
1975-1976	C10	Auto Trans; THM400; 1-Piece Driveshaft; 1.062" Bearing Cup Dia.	A	5	5-213X*	5-1330-1X* 5-1330X**	
	C10	Standard Trans; 3-Speed; 2-Piece Driveshaft; 1.062" Bearing Cup Dia.	B	5,7,9	5-153X*	5-1310-1X* 5-1310X**	
1975-1977	C10	Auto Trans; THM350; 1-Piece Driveshaft; 1.062" Bearing Cup Dia.	A	5	5-153X*	5-1310-1X* 5-1310X**	
	C10	Auto Trans; THM350; THM400; 1-Piece Driveshaft; 1.062" Bearing Cup Dia.	A	9	5-153X*	5-1310-1X* 5-1310X**	
1975-1978	C10	Standard Trans; 3-Speed; 1-Piece Driveshaft; 1.062" Bearing Cup Dia.	A	5	5-153X*	5-1310-1X* 5-1310X**	
	C10	Standard Trans; 3-Speed; 4-Speed; 1-Piece Driveshaft; 1.188" Bearing Cup Dia.	A	5	5-178X*	5-1350-1X* 5-1350X**	SPL30-1350XC**
	C10	Standard Trans; 3-Speed; 4-Speed; 1-Piece Driveshaft; 1.062" Bearing Cup Dia.	A	9	5-153X*	5-1310-1X* 5-1310X**	
	C10	Standard Trans; 3-Speed; 4-Speed; 2-Piece Driveshaft; 1.188" Bearing Cup Dia.	B	5	5-178X*	5-1350-1X* 5-1350X**	SPL30-1350XC**
	C10	Auto Trans; THM350; 2-Piece Driveshaft; 1.062" Bearing Cup Dia.	B	5,7,9	5-153X*	5-1310-1X* 5-1310X**	

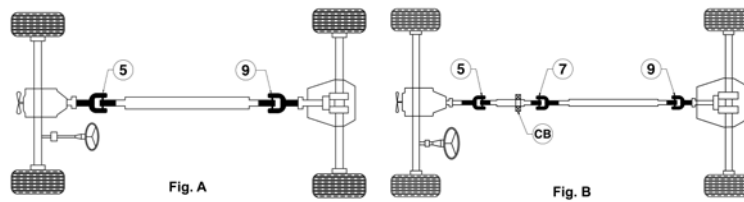
\* GREASEABLE \*\* NON-GREASEABLE

R  
W  
D

**Chevrolet (Cont'd)**

Year	Model	Description	Fig.	Location	Spicer Part #	SPL (Uncoated) Part #	SPL (Coated) Part #
1975-1978	C10		B	CB	210527X		
1977-1978	C10	Standard Trans; 3-Speed; 2-Piece Driveshaft; 1.062" Bearing Cup Dia.	B	5	5-153X*	5-1310-1X* 5-1310X**	
	C10	Standard Trans; 3-Speed; 4-Speed; 2-Piece Driveshaft; 1.062" Bearing Cup Dia.	B	7,9	5-153X*	5-1310-1X* 5-1310X**	
1978	C10	Auto Trans; THM350; 1-Piece Driveshaft; 1.062" Bearing Cup Dia.	A	5,9	5-153X*	5-1310-1X* 5-1310X**	
	C10	Auto Trans; THM400; 2-Piece Driveshaft; 1.188" Bearing Cup Dia.	B	5,9	5-178X*	5-1350-1X* 5-1350X**	SPL30-1350XC**
	C10	Auto Trans; THM400; 2-Piece Driveshaft; 1.125" Bearing Cup Dia.	B	7	5-3147X*	5-795X**	
1979-1981	C10	1-Piece Driveshaft	A	5,9	5-153X*	5-1310-1X* 5-1310X**	
	C10	2-Piece Driveshaft; 1.062" Bearing Cup Dia.	B	5,7	5-153X*	5-1310-1X* 5-1310X**	
	C10	2-Piece Driveshaft; 1.188" Bearing Cup Dia.	B	5,7	5-178X*	5-1350-1X* 5-1350X**	SPL30-1350XC**
	C10	2-Piece Driveshaft; 1.062" Bearing Cup Dia.; 3.500" O.D. Yoke	B	9	5-153X*	5-1310-1X* 5-1310X**	
	C10	2-Piece Driveshaft; 1.188" Bearing Cup Dia.; 3.785" O.D. Yoke	B	9	5-212X*	5-793X**	
	C10	2-Piece Driveshaft; 1.188" Bearing Cup Dia.; 4.000" O.D. Yoke	B	9	5-178X*	5-1350-1X* 5-1350X**	SPL30-1350XC**
1982-1986	C10	1-Piece Driveshaft	A	5,9	5-3147X*	5-795X**	
	C10	2-Piece Driveshaft; w/ Inside Snap Rings	B	5,7,9	5-3147X*	5-795X**	
	C10	2-Piece Driveshaft; w/ Outside Snap Rings	B	5,7,9	5-178X*	5-1350-1X* 5-1350X**	SPL30-1350XC**
1960-1967	C10 Panel	Auto Trans; Exc. Turbo-Hyd; Exc. 3-Speed; 1-Piece Driveshaft	A	5,9	5-153X*	5-1310-1X* 5-1310X**	
	C10 Panel	3-Speed; 4-Speed; 2-Piece Driveshaft	B	5	5-178X*	5-1350-1X* 5-1350X**	SPL30-1350XC**
	C10 Panel	Auto Trans; Exc. Turbo-Hyd; Exc. 3-Speed; 2-Piece Driveshaft	B	5,7,9	5-153X*	5-1310-1X* 5-1310X**	
	C10 Panel	3-Speed; 4-Speed; 2-Piece Driveshaft	B	7,9	5-153X*	5-1310-1X* 5-1310X**	
	C10 Panel		B	CB	210527X		
1960-1974	C10 Pickup	1-Piece Driveshaft; 1.188" Bearing Cup Dia.	A	5	5-178X*	5-1350-1X* 5-1350X**	SPL30-1350XC**
	C10 Pickup	1-Piece Driveshaft; 1.062" Bearing Cup Dia.	A	5,9	5-153X*	5-1310-1X* 5-1310X**	
	C10 Pickup		B	CB	210527X		
1968-1969	C10 Pickup	2-Piece Driveshaft; 1.062" Bearing Cup Dia.; 3.218" O.D. Yoke	B	5,9	5-153X*	5-1310-1X* 5-1310X**	
	C10 Pickup	2-Piece Driveshaft; 1.062" Bearing Cup Dia.; 3.625" O.D. Yoke	B	5,9	5-213X*	5-1330-1X* 5-1330X**	
	C10 Pickup	2-Piece Driveshaft; 1.062" Bearing Cup Dia.	B	7	5-153X*	5-1310-1X* 5-1310X**	
1968-1970	C10 Pickup	2-Piece Driveshaft; 1.188" Bearing Cup Dia.	B	5,7,9	5-178X*	5-1350-1X* 5-1350X**	SPL30-1350XC**
1970-1974	C10 Pickup	2-Piece Driveshaft; 1.062" Bearing Cup Dia.	B	5,7,9	5-153X*	5-1310-1X* 5-1310X**	
1971-1973	C10 Pickup	2-Piece Driveshaft; 1.188" Bearing Cup Dia.	B	5	5-178X*	5-1350-1X* 5-1350X**	SPL30-1350XC**
1967	C10 Suburban	Auto Trans; Exc. Turbo-Hyd; Exc. 3-Speed; 1-Piece Driveshaft	A	5,9	5-153X*	5-1310-1X* 5-1310X**	
	C10 Suburban	3-Speed; 4-Speed; 2-Piece Driveshaft	B	5	5-178X*	5-1350-1X* 5-1350X**	SPL30-1350XC**
	C10 Suburban	Auto Trans; Exc. Turbo-Hyd; Exc. 3-Speed; 2-Piece Driveshaft	B	5,7,9	5-153X*	5-1310-1X* 5-1310X**	
	C10 Suburban	3-Speed; 4-Speed; 2-Piece Driveshaft	B	7,9	5-153X*	5-1310-1X* 5-1310X**	
1967-1978	C10 Suburban		B	CB	210527X		
1968	C10 Suburban	2-Piece Driveshaft; 1.188" Bearing Cup Dia.	B	5,7	5-178X*	5-1350-1X* 5-1350X**	SPL30-1350XC**

\* GREASEABLE \*\* NON-GREASEABLE



**Chevrolet (Cont'd)**

Year	Model	Description	Fig.	Location	Spicer Part #	SPL (Uncoated) Part #	SPL (Coated) Part #
1968-1969	C10 Suburban	2-Piece Driveshaft; 1.062" Bearing Cup Dia.; 3.218" O.D. Yoke	B	5,9	5-153X*	5-1310-1X* 5-1310X**	
	C10 Suburban	2-Piece Driveshaft; 1.062" Bearing Cup Dia.; 3.625" O.D. Yoke	B	5,9	5-213X*	5-1330-1X* 5-1330X**	
	C10 Suburban	2-Piece Driveshaft; 1.062" Bearing Cup Dia.	B	7	5-153X*	5-1310-1X* 5-1310X**	
1968-1974	C10 Suburban	1-Piece Driveshaft; 1.188" Bearing Cup Dia.	A	5	5-178X*	5-1350-1X* 5-1350X**	SPL30-1350XC**
	C10 Suburban	1-Piece Driveshaft; 1.062" Bearing Cup Dia.	A	5,9	5-153X*	5-1310-1X* 5-1310X**	
1969-1970	C10 Suburban	2-Piece Driveshaft; 1.188" Bearing Cup Dia.	B	5,7,9	5-178X*	5-1350-1X* 5-1350X**	SPL30-1350XC**
1970-1974	C10 Suburban	2-Piece Driveshaft; 1.062" Bearing Cup Dia.	B	5,7,9	5-153X*	5-1310-1X* 5-1310X**	
1975-1977	C10 Suburban	Standard Trans; 3-Speed; 1-Piece Driveshaft; 1.062" Bearing Cup Dia.	A	5	5-153X*	5-1310-1X* 5-1310X**	
	C10 Suburban	Standard Trans; 4-Speed; 1-Piece Driveshaft; 1.188" Bearing Cup Dia.	A	5	5-178X*	5-1350-1X* 5-1350X**	SPL30-1350XC**
	C10 Suburban	Standard Trans; 3-Speed; 4-Speed; 1-Piece Driveshaft; 1.062" Bearing Cup Dia.	A	9	5-153X*	5-1310-1X* 5-1310X**	
	C10 Suburban	Standard Trans; 3-Speed; 2-Piece Driveshaft; 1.062" Bearing Cup Dia.	B	5	5-153X*	5-1310-1X* 5-1310X**	
	C10 Suburban	Standard Trans; 3-Speed; 4-Speed; 2-Piece Driveshaft; 1.188" Bearing Cup Dia.	B	5	5-178X*	5-1350-1X* 5-1350X**	SPL30-1350XC**
	C10 Suburban	Standard Trans; 3-Speed; 4-Speed; 2-Piece Driveshaft; 1.062" Bearing Cup Dia.	B	7,9	5-153X*	5-1310-1X* 5-1310X**	
1976-1977	C10 Suburban	Auto Trans; THM350; 1-Piece Driveshaft; 1.062" Bearing Cup Dia.	A	5,9	5-153X*	5-1310-1X* 5-1310X**	
	C10 Suburban	Auto Trans; THM350; 2-Piece Driveshaft; 1.062" Bearing Cup Dia.	B	5,7,9	5-153X*	5-1310-1X* 5-1310X**	
1978	C10 Suburban	2-Piece Driveshaft; 1.062" Bearing Cup Dia.	B	5	5-153X*	5-1310-1X* 5-1310X**	
	C10 Suburban	2-Piece Driveshaft; 1.188" Bearing Cup Dia.	B	5	5-178X*	5-1350-1X* 5-1350X**	SPL30-1350XC**
	C10 Suburban	Auto Trans; THM350; 2-Piece Driveshaft; 1.062" Bearing Cup Dia.	B	7	5-153X*	5-1310-1X* 5-1310X**	
	C10 Suburban	Auto Trans; THM350; 2-Piece Driveshaft; 1.125" Bearing Cup Dia.	B	7	5-3147X*	5-795X**	
	C10 Suburban	Standard Trans; 2-Piece Driveshaft; 1.062" Bearing Cup Dia.	B	7	5-153X*	5-1310-1X* 5-1310X**	
	C10 Suburban	3-Speed; 2-Piece Driveshaft; 1.062" Bearing Cup Dia.	B	9	5-153X*	5-1310-1X* 5-1310X**	
	C10 Suburban	4-Speed; 2-Piece Driveshaft; 1.188" Bearing Cup Dia.	B	9	5-178X*	5-1350-1X* 5-1350X**	SPL30-1350XC**
1978-1981	C10 Suburban	1-Piece Driveshaft	A	5,9	5-153X*	5-1310-1X* 5-1310X**	
1979-1981	C10 Suburban	3-Speed; 2-Piece Driveshaft; 1.062" Bearing Cup Dia.	B	5,7,9	5-153X*	5-1310-1X* 5-1310X**	
	C10 Suburban	4-Speed; 2-Piece Driveshaft; 1.188" Bearing Cup Dia.	B	5,7,9	5-178X*	5-1350-1X* 5-1350X**	SPL30-1350XC**
1982-1986	C10 Suburban	1-Piece Driveshaft	A	5,9	5-3147X*	5-795X**	
	C10 Suburban	2-Piece Driveshaft; w/ Inside Snap Rings	B	5,7,9	5-3147X*	5-795X**	

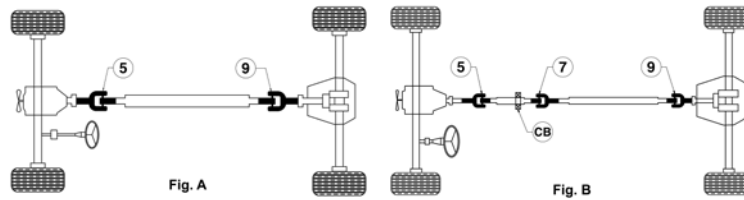
\* GREASEABLE \*\* NON-GREASEABLE

R  
W  
D

**Chevrolet (Cont'd)**

Year	Model	Description	Fig.	Location	Spicer Part #	SPL (Uncoated) Part #	SPL (Coated) Part #
1982-1986	C10 Suburban	2-Piece Driveshaft; w/ Outside Snap Rings	B	5,7,9	5-178X*	5-1350-1X* 5-1350X**	SPL30-1350XC**
1988	C1500	Standard Cab; 1-Piece Driveshaft; w/ Aluminum Driveshaft	A	5,9		5-3614X**	
	C1500	Standard Cab; 1-Piece Driveshaft; w/ Steel Driveshaft	A	5,9	5-3147X*	5-795X**	
	C1500	Extended Cab; Standard Trans; 5-Speed; 2-Piece Driveshaft; w/ Outside Snap Rings	B	5,7	5-213X*	5-1330-1X* 5-1330X**	
	C1500	Extended Cab; Standard Trans; 5-Speed; 2-Piece Driveshaft; w/ Inside Snap Rings	B	5,7,9	5-3147X*	5-795X**	
	C1500	Standard Cab; 2-Piece Driveshaft	B	5,7,9	5-178X*	5-1350-1X* 5-1350X**	SPL30-1350XC**
	C1500	Extended Cab; Standard Trans; 5-Speed; 2-Piece Driveshaft; w/ Outside Snap Rings	B	9	5-212X*	5-793X**	
1988-1990	C1500	Extended Cab; Standard Trans; 4-Speed; 2-Piece Driveshaft	B	5,7,9	5-178X*	5-1350-1X* 5-1350X**	SPL30-1350XC**
1989-1990	C1500	Standard Cab; 1-Piece Driveshaft; w/ Outside Snap Rings; w/ Aluminum Yoke	A	5		5-3614X**	
	C1500	Standard Cab; 1-Piece Driveshaft; w/ Inside Snap Rings; w/ Steel Yoke	A	5,9	5-3147X*	5-795X**	
	C1500	Extended Cab; Standard Trans; 5-Speed; 2-Piece Driveshaft	B	5,7	5-213X*	5-1330-1X* 5-1330X**	
	C1500	Extended Cab; Auto Trans; 2-Piece Driveshaft	B	5,9	5-3147X*	5-795X**	
	C1500	Standard Cab; 2-Piece Driveshaft	B	5,9	5-178X*	5-1350-1X* 5-1350X**	SPL30-1350XC**
	C1500	Extended Cab; Auto Trans; 78.0" Bed; 2-Piece Driveshaft	B	7	5-3147X*	5-795X**	
	C1500	Extended Cab; Auto Trans; 96.0" Bed; 2-Piece Driveshaft	B	7	5-178X*	5-1350-1X* 5-1350X**	SPL30-1350XC**
	C1500	Extended Cab; Standard Trans; 5-Speed; 2-Piece Driveshaft	B	9	5-212X*	5-793X**	
1989-1991	C1500	Standard Cab; 1-Piece Driveshaft; w/ Outside Snap Rings; w/ Steel Yoke	A	5,9	5-178X*	5-1350-1X* 5-1350X**	SPL30-1350XC**
1991	C1500	Standard Cab; 1-Piece Driveshaft; w/ Inside Snap Rings	A	5,9	5-3147X*	5-795X**	
	C1500	Standard Cab; 1-Piece Driveshaft; w/ Outside Snap Rings; w/ Aluminum Yoke	A	5,9		5-3615X**	
	C1500	Extended Cab; Auto Trans; 2-Piece Driveshaft	B	5	5-3147X*	5-795X**	
	C1500	Standard Cab; Standard Trans; 2-Piece Driveshaft; w/ Aluminum Yoke	B	5		5-3615X**	
	C1500	Standard Cab; Standard Trans; 2-Piece Driveshaft; w/ Steel Yoke	B	5	5-178X*	5-1350-1X* 5-1350X**	SPL30-1350XC**
	C1500	Extended Cab; Standard Trans; MG5; 2-Piece Driveshaft; w/ Aluminum Yoke	B	5,7		5-3614X**	
	C1500	Extended Cab; Standard Trans; MG5; 2-Piece Driveshaft; w/ Steel Yoke	B	5,7	5-213X*	5-1330-1X* 5-1330X**	
	C1500	Extended Cab; Standard Trans; SM465/M20; 2-Piece Driveshaft; w/ Aluminum Yoke	B	5,7,9		5-3615X**	
	C1500	Extended Cab; Standard Trans; SM465/M20; 2-Piece Driveshaft; w/ Steel Yoke	B	5,7,9	5-178X*	5-1350-1X* 5-1350X**	SPL30-1350XC**
	C1500	Extended Cab; Auto Trans; 2-Piece Driveshaft; w/ Aluminum Yoke	B	7		5-3615X**	
	C1500	Extended Cab; Auto Trans; 2-Piece Driveshaft; w/ Steel Yoke	B	7	5-178X*	5-1350-1X* 5-1350X**	SPL30-1350XC**
	C1500	Standard Cab; 2-Piece Driveshaft; w/ Aluminum Yoke	B	7,9		5-3615X**	
	C1500	Standard Cab; 2-Piece Driveshaft; w/ Steel Yoke	B	7,9	5-178X*	5-1350-1X* 5-1350X**	SPL30-1350XC**
	C1500	Extended Cab; Auto Trans; 2-Piece Driveshaft; w/ Steel Yoke	B	9	5-3147X*	5-795X**	
	C1500	Extended Cab; Standard Trans; MG5; 2-Piece Driveshaft	B	9	5-212X*	5-793X**	

\* GREASEABLE \*\* NON-GREASEABLE



**Chevrolet (Cont'd)**

Year	Model	Description	Fig.	Location	Spicer Part #	SPL (Uncoated) Part #	SPL (Coated) Part #
1992-1993	C1500	Standard Cab; 96.0" Bed; Standard Trans; 1-Piece Driveshaft	A	5		5-3614X**	
	C1500	Standard Cab; 78.0" Bed; 1-Piece Driveshaft; w/ Aluminum Driveshaft Yoke	A	5,9		5-3615X**	
	C1500	Standard Cab; 78.0" Bed; 1-Piece Driveshaft; w/ Steel Driveshaft Yoke	A	5,9	5-3147X*	5-795X**	
	C1500	Standard Cab; 96.0" Bed; Standard Trans; 1-Piece Driveshaft	A	9	5-212X*	5-793X**	
	C1500	Extended Cab; Standard Trans; NV3500/MG5; 2-Piece Driveshaft; w/ Aluminum Yoke	B	5,7		5-3614X**	
	C1500	Extended Cab; Standard Trans; NV3500/MG5; 2-Piece Driveshaft; w/ Steel Yoke	B	5,7	5-213X*	5-1330-1X* 5-1330X**	
	C1500	Extended Cab; Auto Trans; 2-Piece Driveshaft	B	5,7,9	5-3147X*	5-795X**	
	C1500	Extended Cab; Standard Trans; NV3500/MG5; 2-Piece Driveshaft	B	9	5-212X*	5-793X**	
1993	C1500	Extended Cab; Standard Trans; MT8; 2-Piece Driveshaft; w/ Aluminum Yoke	B	5,7,9		5-3615X**	
	C1500	Extended Cab; Standard Trans; MT8; 2-Piece Driveshaft; w/ Steel Yoke	B	5,7,9	5-178X*	5-1350-1X* 5-1350X**	SPL30-1350XC**
	C1500	Standard Cab; Standard Trans; MT8; 2-Piece Driveshaft; w/ Aluminum Yoke	B	5,7,9		5-3615X**	
	C1500	Standard Cab; Standard Trans; MT8; 2-Piece Driveshaft; w/ Steel Yoke	B	5,7,9	5-178X*	5-1350-1X* 5-1350X**	SPL30-1350XC**
1994	C1500	Extended Cab; Naturally Aspirated; Auto Trans; 2-Piece Driveshaft; w/ Outside Snap Rings	B	5,7	5-213X*	5-1330-1X* 5-1330X**	
	C1500	Extended Cab; Naturally Aspirated; Auto Trans; 2-Piece Driveshaft; w/ Inside Snap Rings	B	5,7,9	5-3147X*	5-795X**	
	C1500	Extended Cab; Naturally Aspirated; Standard Trans; MT8; 2-Piece Driveshaft; w/ Aluminum Yoke	B	5,7,9		5-3615X**	
	C1500	Extended Cab; Naturally Aspirated; Standard Trans; MT8; 2-Piece Driveshaft; w/ Steel Yoke	B	5,7,9	5-178X*	5-1350-1X* 5-1350X**	SPL30-1350XC**
	C1500	Standard Cab; Naturally Aspirated; Standard Trans; MT8; 2-Piece Driveshaft	B	5,7,9	5-178X*	5-1350-1X* 5-1350X**	SPL30-1350XC**
	C1500	Extended Cab; Naturally Aspirated; Auto Trans; 2-Piece Driveshaft; w/ Outside Snap Rings	B	9	5-212X*	5-793X**	
1994-1995	C1500	Standard Cab; 96.0" Bed; 1-Piece Driveshaft	A	5		5-3614X**	
	C1500	Standard Cab; 96.0" Bed; 1-Piece Driveshaft	A	9	5-212X*	5-793X**	
	C1500	Extended Cab; Naturally Aspirated; Standard Trans; NV3500/MG5; 2-Piece Driveshaft	B	5,7	5-213X*	5-1330-1X* 5-1330X**	
	C1500	Turbocharged; 2-Piece Driveshaft	B	5,7	5-213X*	5-1330-1X* 5-1330X**	
	C1500	Extended Cab; Naturally Aspirated; Standard Trans; NV3500/MG5; 2-Piece Driveshaft	B	9	5-212X*	5-793X**	
	C1500	Turbocharged; 2-Piece Driveshaft	B	9	5-212X*	5-793X**	
1995	C1500	Extended Cab; Naturally Aspirated; Auto Trans; 2-Piece Driveshaft	B	5,7	5-213X*	5-1330-1X* 5-1330X**	

\* GREASEABLE \*\* NON-GREASEABLE

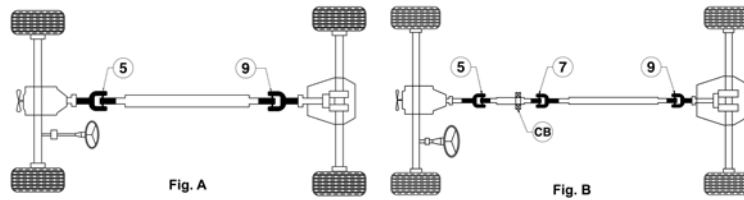
R  
W  
D

**Chevrolet (Cont'd)**

Year	Model	Description	Fig.	Location	Spicer Part #	SPL (Uncoated) Part #	SPL (Coated) Part #
1995	C1500	Extended Cab; Naturally Aspirated; Standard Trans; NV4500/MW3; 2-Piece Driveshaft	B	5,7,9	5-178X*	5-1350-1X* 5-1350X**	SPL30-1350XC**
	C1500	Standard Cab; Naturally Aspirated; Standard Trans; NV4500/MW3; 2-Piece Driveshaft	B	5,7,9	5-178X*	5-1350-1X* 5-1350X**	SPL30-1350XC**
	C1500	Extended Cab; Naturally Aspirated; Auto Trans; 2-Piece Driveshaft	B	9	5-212X*	5-793X**	
1996	C1500	Standard Cab; 78.0" Bed; Standard Trans; 1-Piece Driveshaft; w/ Steel Yoke	A	5,9	5-3147X*	5-795X**	
	C1500	Standard Cab; 96.0" Bed; 1-Piece Driveshaft; w/ Aluminum Yoke	A	9	5-212X*	5-793X**	
	C1500	Extended Cab; Auto Trans; 2-Piece Driveshaft	B	5,7	5-213X*	5-1330-1X* 5-1330X**	
	C1500	Extended Cab; Standard Trans; 5LM60/MG5; NV3500/M50; 2-Piece Driveshaft	B	5,7	5-213X*	5-1330-1X* 5-1330X**	
	C1500	Standard Cab; Standard Trans; 5LM60/MG5; NV3500/M50; 2-Piece Driveshaft	B	5,7,9	5-178X*	5-1350-1X* 5-1350X**	SPL30-1350XC**
	C1500	Extended Cab; Auto Trans; 2-Piece Driveshaft	B	9	5-212X*	5-793X**	
1996-1998	C1500	Standard Cab; 96.0" Bed; 1-Piece Driveshaft; w/ Aluminum Yoke	A	5		5-3614X**	
	C1500	Standard Cab; 96.0" Bed; 1-Piece Driveshaft; w/ Steel Yoke	A	5	5-213X*	5-1330-1X* 5-1330X**	
1997-1998	C1500	Standard Cab; 78.0" Bed; 1-Piece Driveshaft	A	5,9	5-3147X*	5-795X**	
	C1500	Standard Cab; 96.0" Bed; 1-Piece Driveshaft; w/ Steel Yoke	A	9	5-212X*	5-793X**	
	C1500	Extended Cab; 2-Piece Driveshaft; w/ Aluminum Yoke	B	5,7		5-3614X**	
	C1500	Extended Cab; 2-Piece Driveshaft; w/ Steel Yoke	B	5,7	5-213X*	5-1330-1X* 5-1330X**	
	C1500	Extended Cab; 2-Piece Driveshaft; w/ Steel Yoke	B	9	5-212X*	5-793X**	
1999	C1500	1-Piece Driveshaft	A	5,9	5-3147X*	5-795X**	
	C1500	2-Piece Driveshaft	B	5,7,9	5-3147X*	5-795X**	
1992-1993	C1500 Suburban	1-Piece Driveshaft; w/ Aluminum Driveshaft	A	5		5-3614X**	
	C1500 Suburban	1-Piece Driveshaft; w/ Steel Driveshaft	A	5	5-213X*	5-1330-1X* 5-1330X**	
1994-1995	C1500 Suburban	1-Piece Driveshaft; w/ Aluminum Driveshaft	A	5,9		5-3615X**	
	C1500 Suburban	1-Piece Driveshaft; w/ Steel Driveshaft	A	5,9	5-178X*	5-1350-1X* 5-1350X**	SPL30-1350XC**
1996-1999	C1500 Suburban	1-Piece Driveshaft; w/ Aluminum Driveshaft; 1.062" Bearing Cup Dia.	A	5		5-3614X**	
	C1500 Suburban	1-Piece Driveshaft; w/ Aluminum Driveshaft; 1.188" Bearing Cup Dia.	A	5		5-3615X**	
	C1500 Suburban	1-Piece Driveshaft; w/ Steel Driveshaft; 1.062" Bearing Cup Dia.	A	5	5-213X*	5-1330-1X* 5-1330X**	
	C1500 Suburban	1-Piece Driveshaft; w/ Steel Driveshaft; 1.188" Bearing Cup Dia.	A	5	5-178X*	5-1350-1X* 5-1350X**	SPL30-1350XC**
	C1500 Suburban	1-Piece Driveshaft	A	9	5-212X*	5-793X**	
1975	C20	2-Piece Driveshaft	B	5	5-153X*	5-1310-1X* 5-1310X**	
	C20	4.1L; 4.8L; 5.7L; 7.4L; 2-Piece Driveshaft	B	7	5-153X*	5-1310-1X* 5-1310X**	
1975-1977	C20	2-Piece Driveshaft	B	9	5-178X*	5-1350-1X* 5-1350X**	SPL30-1350XC**
1976	C20	4.1L; 4.8L; 5.7L; 7.4L; 2-Piece Driveshaft	B	5,7	5-153X*	5-1310-1X* 5-1310X**	
1976-1977	C20	6.6L; 2-Piece Driveshaft	B	5	5-213X*	5-1330-1X* 5-1330X**	
	C20	6.6L; 2-Piece Driveshaft	B	7	5-178X*	5-1350-1X* 5-1350X**	SPL30-1350XC**
1977	C20	4.1L; 4.8L; 5.0L; 5.7L; 7.4L; 2-Piece Driveshaft	B	5,7	5-153X*	5-1310-1X* 5-1310X**	

\* GREASEABLE \*\* NON-GREASEABLE





**Chevrolet (Cont'd)**

Year	Model	Description	Fig.	Location	Spicer Part #	SPL (Uncoated) Part #	SPL (Coated) Part #
1978	C20	2-Piece Driveshaft; 1.062" Bearing Cup Dia.	B	5,7	5-153X*	5-1310-1X* 5-1310X**	
	C20	2-Piece Driveshaft; 1.188" Bearing Cup Dia.	B	7,9	5-178X*	5-1350-1X* 5-1350X**	SPL30-1350XC**
1978-1980	C20	1-Piece Driveshaft	A	5,9	5-153X*	5-1310-1X* 5-1310X**	
1979-1980	C20	2-Piece Driveshaft; 1.062" Bearing Cup Dia.	B	5,7,9	5-153X*	5-1310-1X* 5-1310X**	
	C20	2-Piece Driveshaft; 1.188" Bearing Cup Dia.	B	9	5-178X*	5-1350-1X* 5-1350X**	SPL30-1350XC**
1981	C20	2-Door; 1.062" Bearing Cup Dia.	B	5	5-153X*	5-1310-1X* 5-1310X**	
	C20	2-Door; 4-Door; 1.188" Bearing Cup Dia.	B	5	5-178X*	5-1350-1X* 5-1350X**	SPL30-1350XC**
	C20	2-Door; 1.125" Bearing Cup Dia.	B	5,9	5-3147X*	5-795X**	
	C20	1.062" Bearing Cup Dia.	B	7	5-153X*	5-1310-1X* 5-1310X**	
	C20	1.125" Bearing Cup Dia.	B	7	5-3147X*	5-795X**	
	C20	1.188" Bearing Cup Dia.	B	7	5-178X*	5-1350-1X* 5-1350X**	SPL30-1350XC**
	C20	4-Door; 1.062" Bearing Cup Dia.	B	9	5-178X*	5-1350-1X* 5-1350X**	SPL30-1350XC**
1982-1986	C20	2-Piece Driveshaft; w/ Inside Snap Rings	B	5,7,9	5-3147X*	5-795X**	
	C20	2-Piece Driveshaft; w/ Outside Snap Rings	B	5,7,9	5-178X*	5-1350-1X* 5-1350X**	SPL30-1350XC**
1967	C20 Panel	3-Speed HD Trans; 4-Speed Turbo-Hydramatic Trans; 2-Piece Driveshaft	B	5	5-178X*	5-1350-1X* 5-1350X**	SPL30-1350XC**
	C20 Panel	3-Speed Overdrive Trans; 4-Speed; 2-Piece Driveshaft	B	5,7,9	5-178X*	5-1350-1X* 5-1350X**	SPL30-1350XC**
	C20 Panel	3-Speed HD Trans; 4-Speed Turbo-Hydramatic Trans; 2-Piece Driveshaft	B	7,9	5-153X*	5-1310-1X* 5-1310X**	
1960-1972	C20 Pickup	2-Piece Driveshaft; 1.062" Bearing Cup Dia.	B	5,7,9	5-153X*	5-1310-1X* 5-1310X**	
	C20 Pickup	2-Piece Driveshaft; 1.188" Bearing Cup Dia.	B	5,7,9	5-178X*	5-1350-1X* 5-1350X**	SPL30-1350XC**
1973-1974	C20 Pickup	2-Piece Driveshaft; 1.062" Bearing Cup Dia.	B	5,7	5-153X*	5-1310-1X* 5-1310X**	
	C20 Pickup	2-Piece Driveshaft; 1.188" Bearing Cup Dia.	B	9	5-178X*	5-1350-1X* 5-1350X**	SPL30-1350XC**
1967-1972	C20 Suburban	2-Piece Driveshaft; 1.062" Bearing Cup Dia.	B	5,7,9	5-153X*	5-1310-1X* 5-1310X**	
1973-1974	C20 Suburban	4.8L; 5.7L; 7.4L; 2-Piece Driveshaft	B	9	5-178X*	5-1350-1X* 5-1350X**	SPL30-1350XC**
1975	C20 Suburban	2-Piece Driveshaft	B	5,7	5-153X*	5-1310-1X* 5-1310X**	
1975-1977	C20 Suburban	2-Piece Driveshaft	B	9	5-178X*	5-1350-1X* 5-1350X**	SPL30-1350XC**
1976	C20 Suburban	4.8L; 5.7L; 7.4L; 2-Piece Driveshaft	B	5,7	5-153X*	5-1310-1X* 5-1310X**	
1976-1977	C20 Suburban	6.6L; 2-Piece Driveshaft	B	5	5-213X*	5-1330-1X* 5-1330X**	
	C20 Suburban	6.6L; 2-Piece Driveshaft	B	7	5-178X*	5-1350-1X* 5-1350X**	SPL30-1350XC**

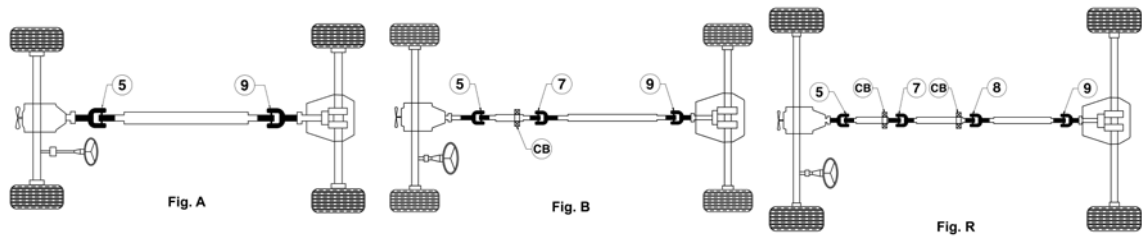
\* GREASEABLE \*\* NON-GREASEABLE

R  
W  
D

**Chevrolet (Cont'd)**

Year	Model	Description	Fig.	Location	Spicer Part #	SPL (Uncoated) Part #	SPL (Coated) Part #
1977	C20 Suburban	4.8L; 5.0L; 5.7L; 7.4L; 2-Piece Driveshaft	B	5,7	5-153X*	5-1310-1X* 5-1310X**	
1978-1980	C20 Suburban	Auto Trans; 3-Speed; THM350; 2-Piece Driveshaft	B	5,7,9	5-153X*	5-1310-1X* 5-1310X**	
	C20 Suburban	Auto Trans; 3-Speed; THM400; 2-Piece Driveshaft	B	5,7,9	5-178X*	5-1350-1X* 5-1350X**	SPL30-1350XC**
	C20 Suburban	Standard Trans; 4-Speed; 2-Piece Driveshaft	B	5,7,9	5-178X*	5-1350-1X* 5-1350X**	SPL30-1350XC**
1981	C20 Suburban	2-Piece Driveshaft	B	5,7	5-178X*	5-1350-1X* 5-1350X**	SPL30-1350XC**
	C20 Suburban	Auto Trans; 2-Piece Driveshaft	B	9	5-153X*	5-1310-1X* 5-1310X**	
	C20 Suburban	Standard Trans; 2-Piece Driveshaft	B	9	5-3147X*	5-795X**	
1982	C20 Suburban	2-Piece Driveshaft; 1.125" Bearing Cup Dia.	B	5,7,9	5-3147X*	5-795X**	
	C20 Suburban	2-Piece Driveshaft; 1.188" Bearing Cup Dia.	B	5,7,9	5-178X*	5-1350-1X* 5-1350X**	SPL30-1350XC**
1982-1986	C20 Suburban	1-Piece Driveshaft	A	5,9	5-3147X*	5-795X**	
1983-1986	C20 Suburban	2-Piece Driveshaft; w/ Inside Snap Rings	B	5,7,9	5-3147X*	5-795X**	
	C20 Suburban	2-Piece Driveshaft; w/ Outside Snap Rings	B	5,7,9	5-178X*	5-1350-1X* 5-1350X**	SPL30-1350XC**
1988-1998	C2500	Standard Cap; 2-Piece Driveshaft; w/ Aluminum Driveshaft	A	5,9		5-3615X**	
	C2500	Standard Cap; 2-Piece Driveshaft; w/ Steel Driveshaft	A	5,9	5-178X*	5-1350-1X* 5-1350X**	SPL30-1350XC**
	C2500	Extended Cab; Standard Cap; 2-Piece Driveshaft; w/ Aluminum Driveshaft	B	5,7,9		5-3615X**	
	C2500	Extended Cab; Standard Cap; 2-Piece Driveshaft; w/ Steel Driveshaft	B	5,7,9	5-178X*	5-1350-1X* 5-1350X**	SPL30-1350XC**
1999	C2500	Auto Trans; 2-Piece Driveshaft; w/ Aluminum Driveshaft	B	5,7,9		5-3615X**	
	C2500	Auto Trans; 2-Piece Driveshaft; w/ Steel Driveshaft	B	5,7,9	5-178X*	5-1350-1X* 5-1350X**	SPL30-1350XC**
	C2500	Standard Trans; 2-Piece Driveshaft; w/ Aluminum Driveshaft	B	5,7,9		5-3616X**	
	C2500	Standard Trans; 2-Piece Driveshaft; w/ Steel Driveshaft	B	5,7,9	5-160X*	5-1410-1X* 5-1410X**	
2000	C2500	V8 5.7L; 1-Piece Driveshaft	A	5,9	5-178X*	5-1350-1X* 5-1350X**	SPL30-1350XC**
	C2500	V8 6.5L; 1-Piece Driveshaft	A	5,9	5-178X*	5-1350-1X* 5-1350X**	SPL30-1350XC**
	C2500	V8 7.4L; 1-Piece Driveshaft	A	5,9	5-178X*	5-1350-1X* 5-1350X**	SPL30-1350XC**
1992-1999	C2500 Suburban	1-Piece Driveshaft; w/ Steel Driveshaft	A	5,9	5-178X*	5-1350-1X* 5-1350X**	SPL30-1350XC**
	C2500 Suburban	w/ Aluminum Driveshaft	A	5,9		5-3615X**	
1975-1978	C30	Cab & Chassis; Crew Cab; Standard Cab; 2-Piece Driveshaft; 1.188" Bearing Cup Dia.	B	5,7	5-178X*	5-1350-1X* 5-1350X**	SPL30-1350XC**
	C30	Cab & Chassis; Standard Cab; 2-Piece Driveshaft; 1.062" Bearing Cup Dia.	B	5,7	5-153X*	5-1310-1X* 5-1310X**	
	C30	2-Piece Driveshaft; 1.188" Bearing Cup Dia.	B	9	5-178X*	5-1350-1X* 5-1350X**	SPL30-1350XC**
1979-1986	C30	2-Piece Driveshaft	B	5,7,9	5-178X*	5-1350-1X* 5-1350X**	SPL30-1350XC**
1960-1966	C30 Panel	2-Piece Driveshaft	B	5,7,9	5-178X*	5-1350-1X* 5-1350X**	SPL30-1350XC**
1960-1967	C30 Pickup	2-Piece Driveshaft	B	5,7,9	5-178X*	5-1350-1X* 5-1350X**	SPL30-1350XC**
1968	C30 Pickup	Auto Trans; 4.1L; 4.8L; 5.0L; 2-Piece Driveshaft; 1.062" Bearing Cup Dia.	B	5	5-153X*	5-1310-1X* 5-1310X**	
1968-1969	C30 Pickup	Auto Trans; 6.5L; 2-Piece Driveshaft; 1.062" Bearing Cup Dia.	B	5	5-213X*	5-1330-1X* 5-1330X**	
1968-1972	C30 Pickup	Standard Trans; 2-Piece Driveshaft; 1.188" Bearing Cup Dia.	B	5	5-178X*	5-1350-1X* 5-1350X**	SPL30-1350XC**

\* GREASEABLE \*\* NON-GREASEABLE



**Chevrolet (Cont'd)**

Year	Model	Description	Fig.	Location	Spicer Part #	SPL (Uncoated) Part #	SPL (Coated) Part #
1968-1972	C30 Pickup	2-Piece Driveshaft; 1.188" Bearing Cup Dia.	B	7,9	5-178X*	5-1350-1X* 5-1350X**	SPL30-1350XC**
1969	C30 Pickup	Auto Trans; 4.1L; 4.8L; 5.0L; 5.7L; 2-Piece Driveshaft; 1.062" Bearing Cup Dia.	B	5	5-153X*	5-1310-1X* 5-1310X**	
1970-1972	C30 Pickup	Auto Trans; 2-Piece Driveshaft; 1.062" Bearing Cup Dia.	B	5	5-153X*	5-1310-1X* 5-1310X**	
1973-1974	C30 Pickup	Cab & Chassis; Crew Cab; Standard Cab; 2-Piece Driveshaft; 1.188" Bearing Cup Dia.	B	5,7	5-178X*	5-1350-1X* 5-1350X**	SPL30-1350XC**
	C30 Pickup	Cab & Chassis; Standard Cab; 2-Piece Driveshaft; 1.062" Bearing Cup Dia.	B	5,7	5-153X*	5-1310-1X* 5-1310X**	
	C30 Pickup	2-Piece Driveshaft; 1.188" Bearing Cup Dia.	B	9	5-178X*	5-1350-1X* 5-1350X**	SPL30-1350XC**
1988-1990	C3500	2-Piece Driveshaft; w/ Aluminum Driveshaft	B	5,7,9		5-3615X**	
	C3500	2-Piece Driveshaft; w/ Steel Driveshaft	B	5,7,9	5-178X*	5-1350-1X* 5-1350X**	SPL30-1350XC**
1991	C3500	Extended Cab; Standard Cab; 2-Piece Driveshaft; w/ Aluminum Driveshaft	B	5,7,9		5-3615X**	
	C3500	Extended Cab; Standard Cab; 2-Piece Driveshaft; w/ Steel Driveshaft	B	5,7,9	5-178X*	5-1350-1X* 5-1350X**	SPL30-1350XC**
1992-1996	C3500	Exc. Cab & Chassis; 2-Piece Driveshaft; w/ Aluminum Driveshaft	B	5,7,9		5-3615X**	
	C3500	Exc. Cab & Chassis; 2-Piece Driveshaft; w/ Steel Driveshaft	B	5,7,9	5-178X*	5-1350-1X* 5-1350X**	SPL30-1350XC**
	C3500	Cab & Chassis; 3-Piece Driveshaft	R	5,7,8,9	5-160X*	5-1410-1X* 5-1410X**	
1997-1998	C3500	183.3" WB; Cab & Chassis; 3-Piece Driveshaft	R	5,7,8,9	5-160X*	5-1410-1X* 5-1410X**	
1997-1999	C3500	131.5" WB; 155.5" WB; Exc. Cab & Chassis; 2-Piece Driveshaft; w/ Aluminum Driveshaft	B	5,7,9		5-3615X**	
	C3500	131.5" WB; 155.5" WB; Exc. Cab & Chassis; 2-Piece Driveshaft; w/ Steel Driveshaft	B	5,7,9	5-178X*	5-1350-1X* 5-1350X**	SPL30-1350XC**
1999	C3500	3-Piece Driveshaft	R	5,7,8,9	5-160X*	5-1410-1X* 5-1410X**	
2000	C3500	V8 5.7L; 159.5" WB; 1-Piece Driveshaft	A	5,9	5-160X*	5-1410-1X* 5-1410X**	
	C3500	V8 6.5L; 159.5" WB; 1-Piece Driveshaft	A	5,9	5-160X*	5-1410-1X* 5-1410X**	
	C3500	V8 7.4L; 159.5" WB; 1-Piece Driveshaft	A	5,9	5-160X*	5-1410-1X* 5-1410X**	
1995-1996	C60 Kodiak	1480/148N Series	B	CB	210866-1X		
1997-2002	C6500 Kodiak	1480/148N Series	B	CB	210866-1X		
1995-1996	C70 Kodiak	1480/148N Series	B	CB	210866-1X		
1997-2002	C7500 Kodiak	1480/148N Series	B	CB	210866-1X		
2005	Colorado	Standard Cab; 1-Piece Driveshaft	A	5	5-213X*	5-1330-1X* 5-1330X**	
	Colorado	Standard Cab; 1-Piece Driveshaft	A	9	5-212X*	5-793X**	

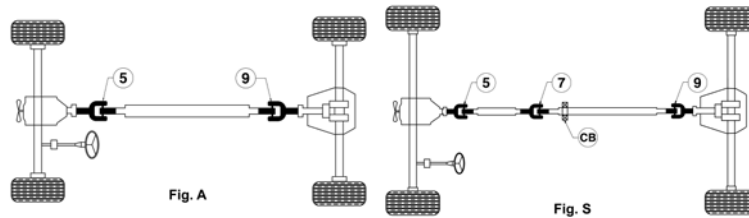
\* GREASEABLE \*\* NON-GREASEABLE

R  
W  
D

**Chevrolet (Cont'd)**

Year	Model	Description	Fig.	Location	Spicer Part #	SPL (Uncoated) Part #	SPL (Coated) Part #
2005	Colorado	Crew Cab; 2-Piece Driveshaft	S	5,7	5-213X*	5-1330-1X* 5-1330X**	
	Colorado	Extended Cab; 2-Piece Driveshaft	S	5,7	5-213X*	5-1330-1X* 5-1330X**	
	Colorado	Crew Cab; 2-Piece Driveshaft	S	9	5-212X*	5-793X**	
	Colorado	Extended Cab; 2-Piece Driveshaft	S	9	5-212X*	5-793X**	
2006-2012	Colorado	1-Piece Driveshaft	A	5	5-213X*	5-1330-1X* 5-1330X**	
	Colorado	1-Piece Driveshaft	A	9	5-212X*	5-793X**	
	Colorado	2-Piece Driveshaft	S	5,7	5-213X*	5-1330-1X* 5-1330X**	
	Colorado	2-Piece Driveshaft	S	9	5-212X*	5-793X**	
2015-2016	Colorado	1-Piece Driveshaft	A	5,9	5-178X*	5-1350-1X* 5-1350X**	SPL30-1350XC**
	Colorado	2-Piece Driveshaft	S	5,7,9	5-178X*	5-1350-1X* 5-1350X**	SPL30-1350XC**
1964-1975	El Camino		A	5,9	5-153X*	5-1310-1X* 5-1310X**	
1976-1987	El Camino		A	5,9	5-3147X*	5-795X**	
1996-1999	Express 1500	1-Piece Driveshaft; w/ Aluminum Driveshaft	A	5,9		5-3615X**	
	Express 1500	1-Piece Driveshaft; w/ Steel Driveshaft	A	5,9	5-178X*	5-1350-1X* 5-1350X**	SPL30-1350XC**
2000-2014	Express 1500	1-Piece Driveshaft	A	5,9	5-178X*	5-1350-1X* 5-1350X**	SPL30-1350XC**
1996-1999	Express 2500	135.0" WB; 1-Piece Driveshaft; w/ Aluminum Driveshaft	A	5,9		5-3615X**	
	Express 2500	135.0" WB; 1-Piece Driveshaft; w/ Steel Driveshaft	A	5,9	5-178X*	5-1350-1X* 5-1350X**	SPL30-1350XC**
	Express 2500	155.0" WB; 2-Piece Driveshaft; w/ Aluminum Driveshaft	S	5,7,9		5-3615X**	
	Express 2500	155.0" WB; 2-Piece Driveshaft; w/ Steel Driveshaft	S	5,7,9	5-178X*	5-1350-1X* 5-1350X**	SPL30-1350XC**
2000	Express 2500	135.0" WB; 1-Piece Driveshaft	A	5	5-178X*	5-1350-1X* 5-1350X**	SPL30-1350XC**
	Express 2500	V6 4.3L; 135.0" WB; 1-Piece Driveshaft	A	9	5-178X*	5-1350-1X* 5-1350X**	SPL30-1350XC**
	Express 2500	V8 5.0L; 135.0" WB; 1-Piece Driveshaft	A	9	5-178X*	5-1350-1X* 5-1350X**	SPL30-1350XC**
	Express 2500	V8 5.7L; 135.0" WB; 1-Piece Driveshaft	A	9	5-178X*	5-1350-1X* 5-1350X**	SPL30-1350XC**
	Express 2500	V8 6.5L; 135.0" WB; 1-Piece Driveshaft	A	9	5-178X*	5-1350-1X* 5-1350X**	SPL30-1350XC**
	Express 2500	155.0" WB; 2-Piece Driveshaft	S	5	5-178X*	5-1350-1X* 5-1350X**	SPL30-1350XC**
	Express 2500	V6 4.3L; 155.0" WB; 2-Piece Driveshaft	S	7,9	5-178X*	5-1350-1X* 5-1350X**	SPL30-1350XC**
	Express 2500	V8 5.0L; 155.0" WB; 2-Piece Driveshaft	S	7,9	5-178X*	5-1350-1X* 5-1350X**	SPL30-1350XC**
	Express 2500	V8 5.7L; 155.0" WB; 2-Piece Driveshaft	S	7,9	5-178X*	5-1350-1X* 5-1350X**	SPL30-1350XC**
	Express 2500	V8 6.5L; 155.0" WB; 2-Piece Driveshaft	S	7,9	5-178X*	5-1350-1X* 5-1350X**	SPL30-1350XC**
	Express 2500	V8 5.7L; 135.0" WB; 1-Piece Driveshaft	A	5,9	5-178X*	5-1350-1X* 5-1350X**	SPL30-1350XC**
	Express 2500	V8 5.7L; 155.0" WB; 2-Piece Driveshaft	S	5,7,9	5-178X*	5-1350-1X* 5-1350X**	SPL30-1350XC**
2001-2002	Express 2500	V8 5.0L; 135.0" WB; 1-Piece Driveshaft	A	5,9	5-178X*	5-1350-1X* 5-1350X**	SPL30-1350XC**
	Express 2500	V8 6.5L; 135.0" WB; 1-Piece Driveshaft	A	5,9	5-178X*	5-1350-1X* 5-1350X**	SPL30-1350XC**
	Express 2500	V8 5.0L; 155.0" WB; 2-Piece Driveshaft	S	5,7,9	5-178X*	5-1350-1X* 5-1350X**	SPL30-1350XC**
	Express 2500	V8 6.5L; 155.0" WB; 2-Piece Driveshaft	S	5,7,9	5-178X*	5-1350-1X* 5-1350X**	SPL30-1350XC**

\* GREASEABLE \*\* NON-GREASEABLE



**Chevrolet (Cont'd)**

Year	Model	Description	Fig.	Location	Spicer Part #	SPL (Uncoated) Part #	SPL (Coated) Part #
2001-2005	Express 2500	V6 4.3L; 135.0" WB; 1-Piece Driveshaft	A	5,9	5-178X*	5-1350-1X* 5-1350X**	SPL30-1350XC**
	Express 2500	V6 4.3L; 155.0" WB; 2-Piece Driveshaft	S	5,7,9	5-178X*	5-1350-1X* 5-1350X**	SPL30-1350XC**
2002	Express 2500	V8 5.7L; 135.0" WB; 1-Piece Driveshaft	A	5	5-178X*	5-1350-1X* 5-1350X**	SPL30-1350XC**
	Express 2500	V8 5.7L; Bi-Fuel; 135.0" WB; 1-Piece Driveshaft	A	9	5-178X*	5-1350-1X* 5-1350X**	SPL30-1350XC**
	Express 2500	V8 5.7L; Gas; 135.0" WB; 1-Piece Driveshaft	A	9	5-178X*	5-1350-1X* 5-1350X**	SPL30-1350XC**
	Express 2500	V8 5.7L; 155.0" WB; 2-Piece Driveshaft	S	5,7	5-178X*	5-1350-1X* 5-1350X**	SPL30-1350XC**
	Express 2500	V8 5.7L; Bi-Fuel; 155.0" WB; 2-Piece Driveshaft	S	9	5-178X*	5-1350-1X* 5-1350X**	SPL30-1350XC**
	Express 2500	V8 5.7L; Gas; 155.0" WB; 2-Piece Driveshaft	S	9	5-178X*	5-1350-1X* 5-1350X**	SPL30-1350XC**
	Express 2500	V8 5.7L; Gas; 155.0" WB; 2-Piece Driveshaft	S	9	5-178X*	5-1350-1X* 5-1350X**	SPL30-1350XC**
2003	Express 2500	V8 4.8L; 135.0" WB; 1-Piece Driveshaft	A	9	5-178X*	5-1350-1X* 5-1350X**	
	Express 2500	V8 6.0L; 155.0" WB; 2-Piece Driveshaft	S	5,7,9	5-178X*	5-1350-1X* 5-1350X**	SPL30-1350XC**
2003-2005	Express 2500	V8 5.3L; 135.0" WB; 1-Piece Driveshaft	A	5,9	5-178X*	5-1350-1X* 5-1350X**	SPL30-1350XC**
	Express 2500	V8 4.8L; 155.0" WB; 2-Piece Driveshaft	S	5,7,9	5-178X*	5-1350-1X* 5-1350X**	SPL30-1350XC**
	Express 2500	V8 5.3L; 155.0" WB; 2-Piece Driveshaft	S	5,7,9	5-178X*	5-1350-1X* 5-1350X**	SPL30-1350XC**
2004	Express 2500	V8 6.0L; CNG; 135.0" WB; 1-Piece Driveshaft	A	9	5-178X*	5-1350-1X* 5-1350X**	SPL30-1350XC**
	Express 2500	V8 6.0L; Gas; 135.0" WB; 1-Piece Driveshaft	A	9	5-178X*	5-1350-1X* 5-1350X**	SPL30-1350XC**
	Express 2500	V8 6.0L; CNG; 155.0" WB; 2-Piece Driveshaft	S	7,9	5-178X*	5-1350-1X* 5-1350X**	SPL30-1350XC**
	Express 2500	V8 6.0L; Gas; 155.0" WB; 2-Piece Driveshaft	S	7,9	5-178X*	5-1350-1X* 5-1350X**	SPL30-1350XC**
2004-2007	Express 2500	V8 4.8L; 135.0" WB; 1-Piece Driveshaft	A	5,9	5-178X*	5-1350-1X* 5-1350X**	SPL30-1350XC**
2005	Express 2500	V8 6.0L; CNG; 155.0" WB; 2-Piece Driveshaft	S	7	5-178X*	5-1350-1X* 5-1350X**	SPL30-1350XC**
	Express 2500	V8 6.0L; Gas; 155.0" WB; 2-Piece Driveshaft	S	7	5-178X*	5-1350-1X* 5-1350X**	SPL30-1350XC**
2005-2007	Express 2500	V8 6.0L; 135.0" WB; 1-Piece Driveshaft	A	5,9	5-178X*	5-1350-1X* 5-1350X**	SPL30-1350XC**
	Express 2500	V8 6.0L; 155.0" WB; 2-Piece Driveshaft	S	5,9	5-178X*	5-1350-1X* 5-1350X**	SPL30-1350XC**
2006	Express 2500	V8 6.6L; 135.0" WB; 1-Piece Driveshaft	A	5,9	5-178X*	5-1350-1X* 5-1350X**	SPL30-1350XC**
	Express 2500	V8 6.6L; 155.0" WB; 2-Piece Driveshaft	S	5,9	5-178X*	5-1350-1X* 5-1350X**	SPL30-1350XC**
	Express 2500	155.0" WB; 2-Piece Driveshaft	S	7	5-178X*	5-1350-1X* 5-1350X**	SPL30-1350XC**
2006-2007	Express 2500	V8 4.8L; 155.0" WB; 2-Piece Driveshaft	S	5,9	5-178X*	5-1350-1X* 5-1350X**	SPL30-1350XC**

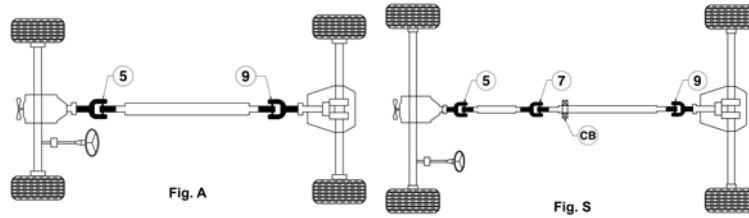
\* GREASEABLE \*\* NON-GREASEABLE

R  
W  
D

**Chevrolet (Cont'd)**

Year	Model	Description	Fig.	Location	Spicer Part #	SPL (Uncoated) Part #	SPL (Coated) Part #
2007	Express 2500	V8 6.6L; LLY Engine; 135.0" WB; 1-Piece Driveshaft	A	5,9	5-178X*	5-1350-1X* 5-1350X**	SPL30-1350XC**
	Express 2500	V8 6.6L; LMM Engine; 135.0" WB; 1-Piece Driveshaft	A	5,9	5-178X*	5-1350-1X* 5-1350X**	SPL30-1350XC**
	Express 2500	V8 6.6L; LLY Engine; 155.0" WB; 2-Piece Driveshaft	S	5,9	5-178X*	5-1350-1X* 5-1350X**	SPL30-1350XC**
	Express 2500	V8 6.6L; LMM Engine; 155.0" WB; 2-Piece Driveshaft	S	5,9	5-178X*	5-1350-1X* 5-1350X**	SPL30-1350XC**
	Express 2500	V8 4.8L; Base; 155.0" WB; 2-Piece Driveshaft	S	7	5-178X*	5-1350-1X* 5-1350X**	SPL30-1350XC**
	Express 2500	V8 6.0L; Base; 155.0" WB; 2-Piece Driveshaft	S	7	5-178X*	5-1350-1X* 5-1350X**	SPL30-1350XC**
	Express 2500	V8 6.6L; LLY Engine; Base; 155.0" WB; 2-Piece Driveshaft	S	7	5-178X*	5-1350-1X* 5-1350X**	SPL30-1350XC**
	Express 2500	V8 6.6L; LMM Engine; Base; 155.0" WB; 2-Piece Driveshaft	S	7	5-178X*	5-1350-1X* 5-1350X**	SPL30-1350XC**
2008-2010	Express 2500	V8 4.8L; 135.0" WB; 1-Piece Driveshaft	A	5	5-178X*	5-1350-1X* 5-1350X**	SPL30-1350XC**
	Express 2500	V8 6.0L; 135.0" WB; 1-Piece Driveshaft	A	5	5-178X*	5-1350-1X* 5-1350X**	SPL30-1350XC**
	Express 2500	V8 6.6L; 135.0" WB; 1-Piece Driveshaft	A	5	5-178X*	5-1350-1X* 5-1350X**	SPL30-1350XC**
	Express 2500	135.0" WB; 1-Piece Driveshaft	A	9	5-178X*	5-1350-1X* 5-1350X**	SPL30-1350XC**
	Express 2500	V8 4.8L; 155.0" WB; 2-Piece Driveshaft	S	5	5-178X*	5-1350-1X* 5-1350X**	SPL30-1350XC**
	Express 2500	V8 6.0L; 155.0" WB; 2-Piece Driveshaft	S	5	5-178X*	5-1350-1X* 5-1350X**	SPL30-1350XC**
	Express 2500	V8 6.6L; 155.0" WB; 2-Piece Driveshaft	S	5	5-178X*	5-1350-1X* 5-1350X**	SPL30-1350XC**
	Express 2500	Base; 155.0" WB; 2-Piece Driveshaft	S	7	5-178X*	5-1350-1X* 5-1350X**	SPL30-1350XC**
	Express 2500	155.0" WB; 2-Piece Driveshaft	S	9	5-178X*	5-1350-1X* 5-1350X**	SPL30-1350XC**
2011-2016	Express 2500	V8 4.8L; 135.0" WB; 1-Piece Driveshaft	A	5,9	5-160X*	5-1410-1X* 5-1410X**	
	Express 2500	V8 6.0L; 135.0" WB; 1-Piece Driveshaft	A	5,9	5-160X*	5-1410-1X* 5-1410X**	
	Express 2500	V8 6.6L; 135.0" WB; 1-Piece Driveshaft	A	5,9	5-188X*	SPL55-1X* SPL55X**	
	Express 2500	V8 4.8L; 155.0" WB; 2-Piece Driveshaft	S	5,9	5-160X*	5-1410-1X* 5-1410X**	
	Express 2500	V8 6.0L; 155.0" WB; 2-Piece Driveshaft	S	5,9	5-160X*	5-1410-1X* 5-1410X**	
	Express 2500	V8 6.6L; 155.0" WB; 2-Piece Driveshaft	S	5,9	5-188X*	SPL55-1X* SPL55X**	
	Express 2500	V8 4.8L; Base; 155.0" WB; 2-Piece Driveshaft	S	7	5-160X*	5-1410-1X* 5-1410X**	
	Express 2500	V8 6.0L; Base; 155.0" WB; 2-Piece Driveshaft	S	7	5-160X*	5-1410-1X* 5-1410X**	
	Express 2500	V8 6.6L; Base; 155.0" WB; 2-Piece Driveshaft	S	7	5-188X*	SPL55-1X* SPL55X**	
1996-1999	Express 3500	135.0" WB; 139.0" WB; 1 Piece Rear Aluminum Driveshaft	A	5,9		5-3615X**	
	Express 3500	135.0" WB; 139.0" WB; 1 Piece Steel Driveshaft	A	5,9	5-178X*	5-1350-1X* 5-1350X**	SPL30-1350XC**
	Express 3500	155.0" WB; 159.0" WB; 177.0" WB; 2 Piece Rear Aluminum Driveshaft	S	5,7,9		5-3615X**	
	Express 3500	155.0" WB; 159.0" WB; 177.0" WB; 2 Piece Steel Driveshaft	S	5,7,9	5-178X*	5-1350-1X* 5-1350X**	SPL30-1350XC**
2000	Express 3500	V8 7.4L; 135.0" WB; 1-Piece Driveshaft	A	5,9	5-178X*	5-1350-1X* 5-1350X**	SPL30-1350XC**
	Express 3500	V8 7.4L; 139.0" WB; 2-Piece Driveshaft; Dual Rear Wheels	S	5,7,9	5-160X*	5-1410-1X* 5-1410X**	

\* GREASEABLE \*\* NON-GREASEABLE



**Chevrolet (Cont'd)**

Year	Model	Description	Fig.	Location	Spicer Part #	SPL (Uncoated) Part #	SPL (Coated) Part #
2000	Express 3500	V8 7.4L; 139.0" WB; 2-Piece Driveshaft; Single Rear Wheels	S	5,7,9	5-178X*	5-1350-1X* 5-1350X**	SPL30-1350XC**
	Express 3500	V8 7.4L; 155.0" WB; 2-Piece Driveshaft; Dual Rear Wheels	S	5,7,9	5-160X*	5-1410-1X* 5-1410X**	
	Express 3500	V8 7.4L; 155.0" WB; 2-Piece Driveshaft; Single Rear Wheels	S	5,7,9	5-178X*	5-1350-1X* 5-1350X**	SPL30-1350XC**
	Express 3500	V8 7.4L; 159.0" WB; 2-Piece Driveshaft; Dual Rear Wheels	S	5,7,9	5-160X*	5-1410-1X* 5-1410X**	
	Express 3500	V8 7.4L; 159.0" WB; 2-Piece Driveshaft; Single Rear Wheels	S	5,7,9	5-178X*	5-1350-1X* 5-1350X**	SPL30-1350XC**
	Express 3500	V8 7.4L; 177.0" WB; 2-Piece Driveshaft; Dual Rear Wheels	S	5,7,9	5-160X*	5-1410-1X* 5-1410X**	
	Express 3500	V8 7.4L; 177.0" WB; 2-Piece Driveshaft; Single Rear Wheels	S	5,7,9	5-178X*	5-1350-1X* 5-1350X**	SPL30-1350XC**
2000-2001	Express 3500	V8 6.5L; 155.0" WB; 2-Piece Driveshaft	S	5,7,9	5-178X*	5-1350-1X* 5-1350X**	SPL30-1350XC**
2000-2002	Express 3500	V8 5.7L; 135.0" WB; 1-Piece Driveshaft	A	5,9	5-178X*	5-1350-1X* 5-1350X**	SPL30-1350XC**
	Express 3500	V8 6.5L; 135.0" WB; 1-Piece Driveshaft	A	5,9	5-178X*	5-1350-1X* 5-1350X**	SPL30-1350XC**
	Express 3500	V8 5.7L; 139.0" WB; 2-Piece Driveshaft	S	5,7,9	5-178X*	5-1350-1X* 5-1350X**	SPL30-1350XC**
	Express 3500	V8 5.7L; 155.0" WB; 2-Piece Driveshaft	S	5,7,9	5-178X*	5-1350-1X* 5-1350X**	SPL30-1350XC**
	Express 3500	V8 5.7L; 159.0" WB; 2-Piece Driveshaft	S	5,7,9	5-178X*	5-1350-1X* 5-1350X**	SPL30-1350XC**
	Express 3500	V8 5.7L; 177.0" WB; 2-Piece Driveshaft	S	5,7,9	5-178X*	5-1350-1X* 5-1350X**	SPL30-1350XC**
	Express 3500	V8 6.5L; 139.0" WB; 2-Piece Driveshaft	S	5,7,9	5-178X*	5-1350-1X* 5-1350X**	SPL30-1350XC**
	Express 3500	V8 6.5L; 159.0" WB; 2-Piece Driveshaft	S	5,7,9	5-178X*	5-1350-1X* 5-1350X**	SPL30-1350XC**
	Express 3500	V8 6.5L; 177.0" WB; 2-Piece Driveshaft	S	5,7,9	5-178X*	5-1350-1X* 5-1350X**	SPL30-1350XC**
	2001-2002	Express 3500	V8 8.1L; 135.0" WB; 1-Piece Driveshaft	A	5,9	5-178X*	5-1350-1X* 5-1350X**
Express 3500		V8 8.1L; 139.0" WB; 2-Piece Driveshaft; Dual Rear Wheels	S	5,7,9	5-160X*	5-1410-1X* 5-1410X**	
Express 3500		V8 8.1L; 139.0" WB; 2-Piece Driveshaft; Single Rear Wheels	S	5,7,9	5-178X*	5-1350-1X* 5-1350X**	SPL30-1350XC**
Express 3500		V8 8.1L; 155.0" WB; 2-Piece Driveshaft; Dual Rear Wheels	S	5,7,9	5-160X*	5-1410-1X* 5-1410X**	
Express 3500		V8 8.1L; 155.0" WB; 2-Piece Driveshaft; Single Rear Wheels	S	5,7,9	5-178X*	5-1350-1X* 5-1350X**	SPL30-1350XC**
Express 3500		V8 8.1L; 159.0" WB; 2-Piece Driveshaft; Dual Rear Wheels	S	5,7,9	5-160X*	5-1410-1X* 5-1410X**	
Express 3500		V8 8.1L; 159.0" WB; 2-Piece Driveshaft; Single Rear Wheels	S	5,7,9	5-178X*	5-1350-1X* 5-1350X**	SPL30-1350XC**
Express 3500		V8 8.1L; 177.0" WB; 2-Piece Driveshaft; Dual Rear Wheels	S	5,7,9	5-160X*	5-1410-1X* 5-1410X**	
Express 3500		V8 8.1L; 177.0" WB; 2-Piece Driveshaft; Single Rear Wheels	S	5,7,9	5-178X*	5-1350-1X* 5-1350X**	SPL30-1350XC**

\* GREASEABLE \*\* NON-GREASEABLE

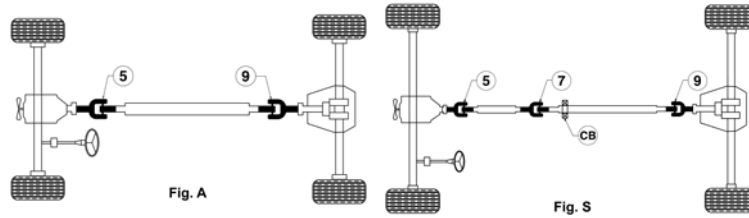
R  
W  
D

**Chevrolet (Cont'd)**

Year	Model	Description	Fig.	Location	Spicer Part #	SPL (Uncoated) Part #	SPL (Coated) Part #	
2003-2004	Express 3500	V8 6.0L; CNG; 139.0" WB; 1-Piece Driveshaft	A	5,9	5-160X*	5-1410-1X* 5-1410X**		
	Express 3500	V8 6.0L; Gas; 139.0" WB; 1-Piece Driveshaft	A	5,9	5-160X*	5-1410-1X* 5-1410X**		
2003-2005	Express 3500	V8 6.0L; CNG; 135.0" WB; 1-Piece Driveshaft	A	5,9	5-178X*	5-1350-1X* 5-1350X**	SPL30-1350XC**	
	Express 3500	V8 6.0L; Gas; 135.0" WB; 1-Piece Driveshaft	A	5,9	5-178X*	5-1350-1X* 5-1350X**	SPL30-1350XC**	
	Express 3500	V8 6.0L; CNG; 159.0" WB; 2-Piece Driveshaft	S	5	5-178X*	5-1350-1X* 5-1350X**	SPL30-1350XC**	
	Express 3500	V8 6.0L; CNG; 177.0" WB; 2-Piece Driveshaft	S	5	5-178X*	5-1350-1X* 5-1350X**	SPL30-1350XC**	
	Express 3500	V8 6.0L; Gas; 159.0" WB; 2-Piece Driveshaft	S	5	5-178X*	5-1350-1X* 5-1350X**	SPL30-1350XC**	
	Express 3500	V8 6.0L; Gas; 177.0" WB; 2-Piece Driveshaft	S	5	5-178X*	5-1350-1X* 5-1350X**	SPL30-1350XC**	
	Express 3500	V8 6.0L; CNG; 155.0" WB; 2-Piece Driveshaft	S	5,7,9	5-178X*	5-1350-1X* 5-1350X**	SPL30-1350XC**	
	Express 3500	V8 6.0L; Gas; 155.0" WB; 2-Piece Driveshaft	S	5,7,9	5-178X*	5-1350-1X* 5-1350X**	SPL30-1350XC**	
	Express 3500	V8 6.0L; CNG; 159.0" WB; 2-Piece Driveshaft	S	7,9	5-160X*	5-1410-1X* 5-1410X**		
	Express 3500	V8 6.0L; CNG; 177.0" WB; 2-Piece Driveshaft	S	7,9	5-160X*	5-1410-1X* 5-1410X**		
	Express 3500	V8 6.0L; Gas; 159.0" WB; 2-Piece Driveshaft	S	7,9	5-160X*	5-1410-1X* 5-1410X**		
	Express 3500	V8 6.0L; Gas; 177.0" WB; 2-Piece Driveshaft	S	7,9	5-160X*	5-1410-1X* 5-1410X**		
	2004	Express 3500	V8 4.8L; 139.0" WB; 1-Piece Driveshaft	A	5,9	5-160X*	5-1410-1X* 5-1410X**	
	2004-2006	Express 3500	V8 4.8L; 177.0" WB; 2-Piece Driveshaft	S	5	5-178X*	5-1350-1X* 5-1350X**	SPL30-1350XC**
Express 3500		V8 4.8L; 177.0" WB; 2-Piece Driveshaft	S	7,9	5-160X*	5-1410-1X* 5-1410X**		
2004-2010	Express 3500	V8 4.8L; 135.0" WB; 1-Piece Driveshaft	A	5,9	5-178X*	5-1350-1X* 5-1350X**	SPL30-1350XC**	
	Express 3500	V8 4.8L; 159.0" WB; 2-Piece Driveshaft	S	5	5-178X*	5-1350-1X* 5-1350X**	SPL30-1350XC**	
	Express 3500	V8 4.8L; 155.0" WB; 2-Piece Driveshaft	S	5,7,9	5-178X*	5-1350-1X* 5-1350X**	SPL30-1350XC**	
	Express 3500	V8 4.8L; 159.0" WB; 2-Piece Driveshaft	S	7,9	5-160X*	5-1410-1X* 5-1410X**		
2005	Express 3500	V8 6.0L; CNG; 139.0" WB; 1-Piece Driveshaft; Dual Rear Wheels	A	5,9	5-160X*	5-1410-1X* 5-1410X**		
	Express 3500	V8 6.0L; CNG; 139.0" WB; 1-Piece Driveshaft; Single Rear Wheels	A	5,9	5-178X*	5-1350-1X* 5-1350X**	SPL30-1350XC**	
	Express 3500	V8 6.0L; Gas; 139.0" WB; 1-Piece Driveshaft; Dual Rear Wheels	A	5,9	5-160X*	5-1410-1X* 5-1410X**		
	Express 3500	V8 6.0L; Gas; 139.0" WB; 1-Piece Driveshaft; Single Rear Wheels	A	5,9	5-178X*	5-1350-1X* 5-1350X**	SPL30-1350XC**	
2005-2010	Express 3500	V8 4.8L; 139.0" WB; 1-Piece Driveshaft; Dual Rear Wheels	A	5,9	5-160X*	5-1410-1X* 5-1410X**		
	Express 3500	V8 4.8L; 139.0" WB; 1-Piece Driveshaft; Single Rear Wheels	A	5,9	5-178X*	5-1350-1X* 5-1350X**	SPL30-1350XC**	
2006	Express 3500	V8 6.0L; 177.0" WB; 2-Piece Driveshaft	S	5	5-178X*	5-1350-1X* 5-1350X**	SPL30-1350XC**	
	Express 3500	V8 6.6L; 177.0" WB; 2-Piece Driveshaft	S	5	5-178X*	5-1350-1X* 5-1350X**	SPL30-1350XC**	
	Express 3500	V8 6.0L; 177.0" WB; 2-Piece Driveshaft	S	7,9	5-160X*	5-1410-1X* 5-1410X**		
	Express 3500	V8 6.6L; 177.0" WB; 2-Piece Driveshaft	S	7,9	5-160X*	5-1410-1X* 5-1410X**		
2006-2009	Express 3500	V8 6.0L; 135.0" WB; 1-Piece Driveshaft	A	5,9	5-178X*	5-1350-1X* 5-1350X**	SPL30-1350XC**	

\* GREASEABLE \*\* NON-GREASEABLE





**Chevrolet (Cont'd)**

Year	Model	Description	Fig.	Location	Spicer Part #	SPL (Uncoated) Part #	SPL (Coated) Part #
2006-2009	Express 3500	V8 6.0L; 139.0" WB; 1-Piece Driveshaft; Dual Rear Wheels	A	5,9	5-160X*	5-1410-1X* 5-1410X**	
	Express 3500	V8 6.0L; 139.0" WB; 1-Piece Driveshaft; Single Rear Wheels	A	5,9	5-178X*	5-1350-1X* 5-1350X**	SPL30-1350XC**
	Express 3500	V8 6.6L; 135.0" WB; 1-Piece Driveshaft	A	5,9	5-178X*	5-1350-1X* 5-1350X**	SPL30-1350XC**
	Express 3500	V8 6.0L; 159.0" WB; 2-Piece Driveshaft	S	5	5-178X*	5-1350-1X* 5-1350X**	SPL30-1350XC**
	Express 3500	V8 6.0L; 155.0" WB; 2-Piece Driveshaft	S	5,7,9	5-178X*	5-1350-1X* 5-1350X**	SPL30-1350XC**
	Express 3500	V8 6.0L; 159.0" WB; 2-Piece Driveshaft	S	7,9	5-160X*	5-1410-1X* 5-1410X**	
2006-2010	Express 3500	V8 6.6L; 139.0" WB; 1-Piece Driveshaft; Dual Rear Wheels	A	5,9	5-160X*	5-1410-1X* 5-1410X**	
	Express 3500	V8 6.6L; 139.0" WB; 1-Piece Driveshaft; Single Rear Wheels	A	5,9	5-178X*	5-1350-1X* 5-1350X**	SPL30-1350XC**
	Express 3500	V8 6.6L; 159.0" WB; 2-Piece Driveshaft	S	5	5-178X*	5-1350-1X* 5-1350X**	SPL30-1350XC**
	Express 3500	V8 6.6L; 155.0" WB; 2-Piece Driveshaft	S	5,7,9	5-178X*	5-1350-1X* 5-1350X**	SPL30-1350XC**
	Express 3500	V8 6.6L; 159.0" WB; 2-Piece Driveshaft	S	7,9	5-160X*	5-1410-1X* 5-1410X**	
2010	Express 3500	V8 6.0L; 135.0" WB; 1-Piece Driveshaft	A	5,9	5-160X*	5-1410-1X* 5-1410X**	
	Express 3500	V8 6.0L; 139.0" WB; 1-Piece Driveshaft; Dual Rear Wheels	A	5,9	5-188X*	SPL55-1X* SPL55X**	
	Express 3500	V8 6.0L; 139.0" WB; 1-Piece Driveshaft; Single Rear Wheels	A	5,9	5-160X*	5-1410-1X* 5-1410X**	
	Express 3500	V8 6.6L; 135.0" WB; 1-Piece Driveshaft	A	9	5-178X*	5-1350-1X* 5-1350X**	SPL30-1350XC**
	Express 3500	V8 6.0L; 159.0" WB; 2-Piece Driveshaft	S	5	5-160X*	5-1410-1X* 5-1410X**	
	Express 3500	V8 6.0L; 155.0" WB; 2-Piece Driveshaft	S	5,7	5-160X*	5-1410-1X* 5-1410X**	
	Express 3500	V8 6.0L; 155.0" WB; 2-Piece Driveshaft	S	9	5-178X*	5-1350-1X* 5-1350X**	SPL30-1350XC**
2010-2016	Express 3500	V8 6.0L; 159.0" WB; 2-Piece Driveshaft	S	7,9	5-188X*	SPL55-1X* SPL55X**	
2011	Express 3500	V8 6.6L; 1-Piece Driveshaft	A	9	5-188X*	SPL55-1X* SPL55X**	
	Express 3500	V8 6.6L; 2-Piece Driveshaft	S	5	5-188X*	SPL55-1X* SPL55X**	
2011-2016	Express 3500	V8 4.8L; 155.0" WB; 1-Piece Driveshaft	A	5	5-160X*	5-1410-1X* 5-1410X**	
	Express 3500	V8 4.8L; 159.0" WB; 1-Piece Driveshaft	A	5	5-188X*	SPL55-1X* SPL55X**	
	Express 3500	V8 4.8L; 177.0" WB; 1-Piece Driveshaft	A	5	5-188X*	SPL55-1X* SPL55X**	
	Express 3500	V8 6.0L; 155.0" WB; 1-Piece Driveshaft	A	5	5-160X*	5-1410-1X* 5-1410X**	
	Express 3500	V8 6.0L; 159.0" WB; 1-Piece Driveshaft	A	5	5-188X*	SPL55-1X* SPL55X**	

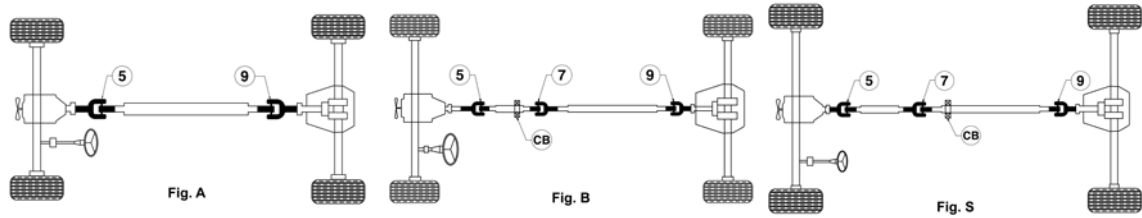
\* GREASEABLE \*\* NON-GREASEABLE

R  
W  
D

**Chevrolet (Cont'd)**

Year	Model	Description	Fig.	Location	Spicer Part #	SPL (Uncoated) Part #	SPL (Coated) Part #
2011-2016	Express 3500	V8 6.0L; 177.0" WB; 1-Piece Driveshaft	A	5	5-188X*	SPL55-1X* SPL55X**	
	Express 3500	V8 4.8L; 135.0" WB; 1-Piece Driveshaft	A	9	5-188X*	SPL55-1X* SPL55X**	
	Express 3500	V8 4.8L; 139.0" WB; 1-Piece Driveshaft	A	9	5-188X*	SPL55-1X* SPL55X**	
	Express 3500	V8 6.0L; 135.0" WB; 1-Piece Driveshaft	A	9	5-188X*	SPL55-1X* SPL55X**	
	Express 3500	V8 6.0L; 139.0" WB; 1-Piece Driveshaft	A	9	5-188X*	SPL55-1X* SPL55X**	
	Express 3500	V8 4.8L; 135.0" WB; 2-Piece Driveshaft	S	5	5-188X*	SPL55-1X* SPL55X**	
	Express 3500	V8 4.8L; 139.0" WB; 2-Piece Driveshaft	S	5	5-188X*	SPL55-1X* SPL55X**	
	Express 3500	V8 6.0L; 135.0" WB; 2-Piece Driveshaft	S	5	5-188X*	SPL55-1X* SPL55X**	
	Express 3500	V8 6.0L; 139.0" WB; 2-Piece Driveshaft	S	5	5-188X*	SPL55-1X* SPL55X**	
	Express 3500	V8 4.8L; 155.0" WB; 2-Piece Driveshaft	S	7,9	5-160X*	5-1410-1X* 5-1410X**	
	Express 3500	V8 4.8L; 159.0" WB; 2-Piece Driveshaft	S	7,9	5-188X*	SPL55-1X* SPL55X**	
	Express 3500	V8 4.8L; 177.0" WB; 2-Piece Driveshaft	S	7,9	5-188X*	SPL55-1X* SPL55X**	
	Express 3500	V8 6.0L; 155.0" WB; 2-Piece Driveshaft	S	7,9	5-160X*	5-1410-1X* 5-1410X**	
	Express 3500	V8 6.0L; 177.0" WB; 2-Piece Driveshaft	S	7,9	5-188X*	SPL55-1X* SPL55X**	
2012-2016	Express 3500	V8 6.6L; 155.0" WB; 1-Piece Driveshaft	A	5	5-188X*	SPL55-1X* SPL55X**	
	Express 3500	V8 6.6L; 159.0" WB; 1-Piece Driveshaft	A	5	5-188X*	SPL55-1X* SPL55X**	
	Express 3500	V8 6.6L; 177.0" WB; 1-Piece Driveshaft	A	5	5-188X*	SPL55-1X* SPL55X**	
	Express 3500	V8 6.6L; 135.0" WB; 1-Piece Driveshaft	A	9	5-188X*	SPL55-1X* SPL55X**	
	Express 3500	V8 6.6L; 139.0" WB; 1-Piece Driveshaft	A	9	5-188X*	SPL55-1X* SPL55X**	
	Express 3500	V8 6.6L; 135.0" WB; 2-Piece Driveshaft	S	5	5-188X*	SPL55-1X* SPL55X**	
	Express 3500	V8 6.6L; 139.0" WB; 2-Piece Driveshaft	S	5	5-188X*	SPL55-1X* SPL55X**	
	Express 3500	V8 6.6L; 155.0" WB; 2-Piece Driveshaft	S	7,9	5-188X*	SPL55-1X* SPL55X**	
	Express 3500	V8 6.6L; 159.0" WB; 2-Piece Driveshaft	S	7,9	5-188X*	SPL55-1X* SPL55X**	
	Express 3500	V8 6.6L; 177.0" WB; 2-Piece Driveshaft	S	7,9	5-188X*	SPL55-1X* SPL55X**	
2009-2016	Express 4500	1-Piece Driveshaft	A	5	5-188X*	SPL55-1X* SPL55X**	
	Express 4500	2-Piece Driveshaft	S	7,9	5-188X*	SPL55-1X* SPL55X**	
1975-1977	G10	1-Piece Driveshaft	A	5,9	5-153X*	5-1310-1X* 5-1310X**	
	G10	2-Piece Driveshaft	B	5,7,9	5-153X*	5-1310-1X* 5-1310X**	
1978-1981	G10	1-Piece Driveshaft; w/ Inside Snap Rings	A	5,9	5-3147X*	5-795X**	
	G10	1-Piece Driveshaft; w/ Outside Snap Rings	A	5,9	5-153X*	5-1310-1X* 5-1310X**	
	G10	2-Piece Driveshaft	B	5	5-3147X*	5-795X**	
	G10	2-Piece Driveshaft; w/ 2.562" O.D. Yoke	B	7,9	5-3147X*	5-795X**	
	G10	2-Piece Driveshaft; w/ 3.500" O.D. Yoke	B	7,9	5-153X*	5-1310-1X* 5-1310X**	

\* GREASEABLE \*\* NON-GREASEABLE



**Chevrolet (Cont'd)**

Year	Model	Description	Fig.	Location	Spicer Part #	SPL (Uncoated) Part #	SPL (Coated) Part #
1978-1981	G10	2-Piece Driveshaft; w/ 4.000" O.D. Yoke	B	7,9	5-178X*	5-1350-1X* 5-1350X**	SPL30-1350XC**
1982-1984	G10	1-Piece Driveshaft	A	5,9	5-3147X*	5-795X**	
	G10	2-Piece Driveshaft; 1.125" Bearing Cup Dia.	B	5,7,9	5-3147X*	5-795X**	
	G10	2-Piece Driveshaft; 1.188" Bearing Cup Dia.	B	5,7,9	5-178X*	5-1350-1X* 5-1350X**	SPL30-1350XC**
1985-1991	G10	110.0" WB; 125.0" WB; 1-Piece Driveshaft	A	5,9	5-3147X*	5-795X**	
	G10	125.0" WB; 2-Piece Driveshaft	B	5,7,9	5-3147X*	5-795X**	
1992-1995	G10	125.0" WB; w/ Aluminum Driveshaft	A	5		5-3614X**	
	G10	110.0" WB	A	5,9	5-3147X*	5-795X**	
	G10	125.0" WB; w/ Steel Driveshaft	A	5,9	5-3147X*	5-795X**	
	G10	125.0" WB; w/ Aluminum Driveshaft	A	9	5-212X*	5-793X**	
1964-1974	G10 Van	1-Piece Driveshaft	A	5,9	5-153X*	5-1310-1X* 5-1310X**	
	G10 Van	2-Piece Driveshaft	B	5,7,9	5-153X*	5-1310-1X* 5-1310X**	
1975	G20	1-Piece Driveshaft	A	5,9	5-153X*	5-1310-1X* 5-1310X**	
	G20	2-Piece Driveshaft; 1.062" Bearing Cup Dia.	B	5	5-153X*	5-1310-1X* 5-1310X**	
	G20	2-Piece Driveshaft; 1.125" Bearing Cup Dia.	B	5	5-3147X*	5-795X**	
	G20	2-Piece Driveshaft	B	7,9	5-153X*	5-1310-1X* 5-1310X**	
1976	G20	4.1L; 4.8L; 5.7L; 7.4L; 1-Piece Driveshaft	A	5,9	5-153X*	5-1310-1X* 5-1310X**	
	G20	4.1L; 4.8L; 5.7L; 7.4L; 2-Piece Driveshaft	B	5,7,9	5-153X*	5-1310-1X* 5-1310X**	
1976-1978	G20	6.6L; 1-Piece Driveshaft	A	5	5-3147X*	5-795X**	
	G20	6.6L; 1-Piece Driveshaft	A	9	5-212X*	5-793X**	
	G20	6.6L; 2-Piece Driveshaft	B	5	5-3147X*	5-795X**	
	G20	6.6L; 2-Piece Driveshaft	B	7	5-178X*	5-1350-1X* 5-1350X**	SPL30-1350XC**
	G20	6.6L; 2-Piece Driveshaft	B	9	5-213X*	5-1330-1X* 5-1330X**	
1977-1978	G20	4.1L; 4.8L; 5.0L; 5.7L; 1-Piece Driveshaft	A	5,9	5-153X*	5-1310-1X* 5-1310X**	
	G20	4.1L; 4.8L; 5.0L; 5.7L; 2-Piece Driveshaft	B	5,7,9	5-153X*	5-1310-1X* 5-1310X**	
1979	G20	4.1L; 4.8L; 5.0L; 5.7L; 2-Piece Driveshaft	B	7	5-153X*	5-1310-1X* 5-1310X**	
	G20	6.6L; 2-Piece Driveshaft	B	7	5-213X*	5-1330-1X* 5-1330X**	
	G20	2-Piece Driveshaft; 1.062" Bearing Cup Dia.	B	9	5-153X*	5-1310-1X* 5-1310X**	
1979-1980	G20	2-Piece Driveshaft; 1.188" Bearing Cup Dia.	B	9	5-178X*	5-1350-1X* 5-1350X**	SPL30-1350XC**
1979-1981	G20	1-Piece Driveshaft; 1.062" Bearing Cup Dia.	A	5,9	5-153X*	5-1310-1X* 5-1310X**	
	G20	1-Piece Driveshaft; 1.125" Bearing Cup Dia.	A	5,9	5-3147X*	5-795X**	
	G20	2-Piece Driveshaft	B	5	5-3147X*	5-795X**	
1980	G20	4.1L; 4.8L; 5.0L; 5.7L; 2-Piece Driveshaft; 1.125" Bearing Cup Dia.	B	7	5-3147X*	5-795X**	

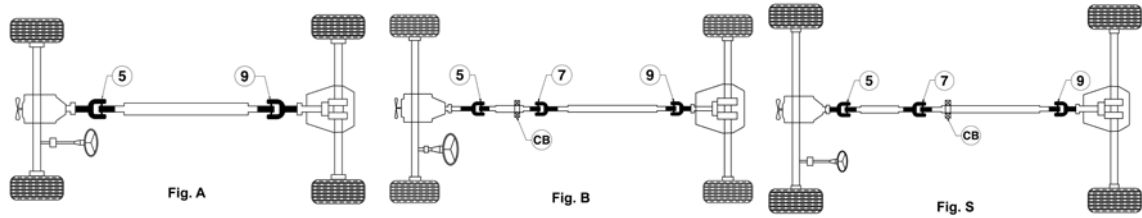
\* GREASEABLE \*\* NON-GREASEABLE

R  
W  
D

**Chevrolet (Cont'd)**

Year	Model	Description	Fig.	Location	Spicer Part #	SPL (Uncoated) Part #	SPL (Coated) Part #
1980	G20	6.6L; 2-Piece Driveshaft; 1.062" Bearing Cup Dia.	B	7	5-213X*	5-1330-1X* 5-1330X**	
	G20	2-Piece Driveshaft; 1.125" Bearing Cup Dia.	B	9	5-3147X*	5-795X**	
1981	G20	2-Piece Driveshaft; 1.062" Bearing Cup Dia.	B	7,9	5-153X*	5-1310-1X* 5-1310X**	
	G20	2-Piece Driveshaft; 1.188" Bearing Cup Dia.	B	7,9	5-178X*	5-1350-1X* 5-1350X**	SPL30-1350XC**
1982-1983	G20	2-Piece Driveshaft	B	5,7,9	5-3147X*	5-795X**	
1982-1984	G20	1-Piece Driveshaft	A	5,9	5-3147X*	5-795X**	
1984	G20	THM350C; THM700-R4/L4L60/MD8; 2-Piece Driveshaft	B	5,7,9	5-3147X*	5-795X**	
	G20	THM400; 2-Piece Driveshaft	B	5,7,9	5-178X*	5-1350-1X* 5-1350X**	SPL30-1350XC**
1985-1991	G20	110.0" WB; 125.0" WB; 1-Piece Driveshaft	A	5,9	5-3147X*	5-795X**	
	G20	125.0" WB; 2-Piece Driveshaft	B	5,7,9	5-3147X*	5-795X**	
1992-1995	G20	125.0" WB; w/ Aluminum Driveshaft	A	5		5-3614X**	
	G20	110.0" WB	A	5,9	5-3147X*	5-795X**	
	G20	125.0" WB; w/ Steel Driveshaft	A	5,9	5-3147X*	5-795X**	
	G20	125.0" WB; w/ Aluminum Driveshaft	A	9	5-212X*	5-793X**	
1967-1974	G20 Van	1-Piece Driveshaft	A	5,9	5-153X*	5-1310-1X* 5-1310X**	
	G20 Van	2-Piece Driveshaft; w/ Inside Snap Rings	B	5	5-3147X*	5-795X**	
	G20 Van	2-Piece Driveshaft; w/ Outside Snap Rings	B	5	5-153X*	5-1310-1X* 5-1310X**	
	G20 Van	2-Piece Driveshaft	B	7,9	5-153X*	5-1310-1X* 5-1310X**	
1975	G30	4.8L; 5.7L; 7.4L; 1-Piece Driveshaft	A	5,9	5-153X*	5-1310-1X* 5-1310X**	
	G30	4.8L; 5.7L; 7.4L; 2-Piece Driveshaft	B	5	5-153X*	5-1310-1X* 5-1310X**	
1975-1977	G30	6.6L; 1-Piece Driveshaft	A	5	5-213X*	5-1330-1X* 5-1330X**	
	G30	6.6L; 1-Piece Driveshaft	A	9	5-178X*	5-1350-1X* 5-1350X**	SPL30-1350XC**
	G30	6.6L; 2-Piece Driveshaft	B	5	5-213X*	5-1330-1X* 5-1330X**	
1976	G30	4.1L; 4.8L; 5.7L; 7.4L; 1-Piece Driveshaft	A	5,9	5-153X*	5-1310-1X* 5-1310X**	
	G30	4.1L; 4.8L; 5.7L; 7.4L; 2-Piece Driveshaft	B	5	5-153X*	5-1310-1X* 5-1310X**	
1977	G30	4.8L; 5.7L; 1-Piece Driveshaft	A	5,9	5-153X*	5-1310-1X* 5-1310X**	
	G30	4.8L; 5.7L; 2-Piece Driveshaft	B	5	5-153X*	5-1310-1X* 5-1310X**	
1978-1979	G30	1-Piece Driveshaft	A	5,9	5-178X*	5-1350-1X* 5-1350X**	SPL30-1350XC**
	G30	THM350 Trans; 2-Piece Driveshaft	B	5	5-3147X*	5-795X**	
	G30	THM400; 2-Piece Driveshaft	B	5	5-178X*	5-1350-1X* 5-1350X**	SPL30-1350XC**
	G30	Auto Trans; 2-Piece Driveshaft	B	7	5-178X*	5-1350-1X* 5-1350X**	SPL30-1350XC**
	G30	2-Piece Driveshaft	B	9	5-178X*	5-1350-1X* 5-1350X**	SPL30-1350XC**
1980-1981	G30	4-Speed; 2-Piece Driveshaft	B	5	5-178X*	5-1350-1X* 5-1350X**	SPL30-1350XC**
	G30	Auto Trans; 3-Speed; 2-Piece Driveshaft	B	5	5-178X*	5-1350-1X* 5-1350X**	SPL30-1350XC**
	G30	Standard Trans; 3-Speed; 2-Piece Driveshaft	B	5	5-3147X*	5-795X**	
1982-1984	G30	2-Piece Driveshaft	B	5	5-3147X*	5-795X**	
1985	G30	125.0" WB; 3-Speed; 2-Piece Driveshaft	B	5,7,9	5-178X*	5-1350-1X* 5-1350X**	SPL30-1350XC**
	G30	146.0" WB; 2-Piece Driveshaft	B	5,7,9	5-178X*	5-1350-1X* 5-1350X**	SPL30-1350XC**

\* GREASEABLE \*\* NON-GREASEABLE



**Chevrolet (Cont'd)**

Year	Model	Description	Fig.	Location	Spicer Part #	SPL (Uncoated) Part #	SPL (Coated) Part #
1986-1990	G30	125.0" WB; 4-Speed; 2-Piece Driveshaft	B	5	5-3147X*	5-795X**	
1988-1989	G30	125.0" WB; 3-Speed; 5-Speed; 2-Piece Driveshaft; w/ Aluminum Driveshaft	B	5		5-3615X**	
	G30	125.0" WB; 3-Speed; 5-Speed; 2-Piece Driveshaft; w/ Steel Driveshaft	B	5	5-178X*	5-1350-1X* 5-1350X**	SPL30-1350XC**
	G30	146.0" WB; 2-Piece Driveshaft; w/ Aluminum Driveshaft	B	5		5-3615X**	
	G30	146.0" WB; 2-Piece Driveshaft; w/ Steel Driveshaft	B	5	5-178X*	5-1350-1X* 5-1350X**	SPL30-1350XC**
	G30	2-Piece Driveshaft; w/ Aluminum Driveshaft	B	7,9		5-3615X**	
	G30	2-Piece Driveshaft; w/ Steel Driveshaft	B	7,9	5-178X*	5-1350-1X* 5-1350X**	SPL30-1350XC**
1990	G30	125.0" WB; 3-Speed; 5-Speed; 2-Piece Driveshaft	B	5	5-178X*	5-1350-1X* 5-1350X**	SPL30-1350XC**
	G30	146.0" WB; 2-Piece Driveshaft	B	5	5-178X*	5-1350-1X* 5-1350X**	SPL30-1350XC**
	G30	2-Piece Driveshaft	B	7,9	5-178X*	5-1350-1X* 5-1350X**	SPL30-1350XC**
1991-1996	G30	125.0" WB; 1-Piece Driveshaft; w/ Aluminum Driveshaft	A	5,9		5-3615X**	
	G30	125.0" WB; 1-Piece Driveshaft; w/ Steel Driveshaft	A	5,9	5-178X*	5-1350-1X* 5-1350X**	SPL30-1350XC**
	G30	146.0" WB; 2-Piece Driveshaft; w/ Aluminum Driveshaft	B	5,7,9		5-3615X**	
	G30	146.0" WB; 2-Piece Driveshaft; w/ Steel Driveshaft	B	5,7,9	5-178X*	5-1350-1X* 5-1350X**	SPL30-1350XC**
1970-1974	G30 Van	1-Piece Driveshaft	A	5,9	5-153X*	5-1310-1X* 5-1310X**	
	G30 Van	2-Piece Driveshaft	B	5,7,9	5-153X*	5-1310-1X* 5-1310X**	
1987-1995	LLV		A	5,9	5-3147X*	5-795X**	
1975-1977	LUV		A	5,9	5-101X**		
1978-1982	LUV	1-Piece Driveshaft	A	5,9	5-101X**		
	LUV	2-Piece Driveshaft	S	5,7,9	5-101X**		
1972-1974	Luv Pickup		A	5,9	5-101X**		
1975-1978	P10	1-Piece Driveshaft; w/ 1.062" Bearing Cup Dia.	A	5	5-153X*	5-1310-1X* 5-1310X**	
	P10	1-Piece Driveshaft; w/ 1.188" Bearing Cup Dia.	A	5	5-178X*	5-1350-1X* 5-1350X**	SPL30-1350XC**
	P10	1-Piece Driveshaft	A	9	5-153X*	5-1310-1X* 5-1310X**	
	P10	2-Piece Driveshaft; w/ 1.062" Bearing Cup Dia.	B	5	5-153X*	5-1310-1X* 5-1310X**	
	P10	2-Piece Driveshaft; w/ 1.188" Bearing Cup Dia.	B	5	5-178X*	5-1350-1X* 5-1350X**	SPL30-1350XC**
	P10	2-Piece Driveshaft	B	7,9	5-153X*	5-1310-1X* 5-1310X**	
	P10		B	CB	210527X		
1979-1980	P10	w/ 1.062" Bearing Cup Dia.	A	5	5-153X*	5-1310-1X* 5-1310X**	
	P10	w/ 1.188" Bearing Cup Dia.	A	5	5-178X*	5-1350-1X* 5-1350X**	SPL30-1350XC**

\* GREASEABLE \*\* NON-GREASEABLE

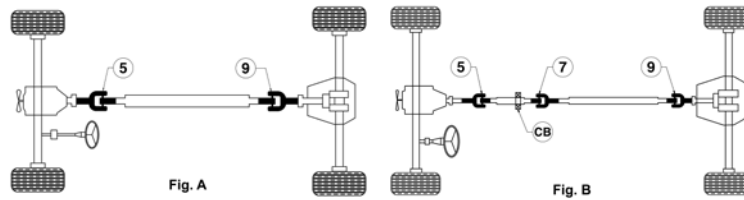
R  
W  
D

**Chevrolet (Cont'd)**

Year	Model	Description	Fig.	Location	Spicer Part #	SPL (Uncoated) Part #	SPL (Coated) Part #
1979-1980	P10		A	9	5-153X*	5-1310-1X* 5-1310X**	
1960-1967	P10 Series	1-Piece Driveshaft	A	5,9	5-153X*	5-1310-1X* 5-1310X**	
	P10 Series	2-Piece Driveshaft	B	5,7,9	5-153X*	5-1310-1X* 5-1310X**	
	P10 Series		B	CB	210527X		
1967-1974	P10 Van		B	CB	210527X		
1968-1974	P10 Van	1-Piece Driveshaft	A	5,9	5-153X*	5-1310-1X* 5-1310X**	
	P10 Van	2-Piece Driveshaft	B	5,7,9	5-153X*	5-1310-1X* 5-1310X**	
1975	P20	Auto Trans	B	5	5-153X*	5-1310-1X* 5-1310X**	
	P20	Standard Trans; 3-Speed	B	5	5-153X*	5-1310-1X* 5-1310X**	
	P20	Standard Trans; 4-Speed	B	5	5-178X*	5-1350-1X* 5-1350X**	SPL30-1350XC**
	P20		B	7,9	5-178X*	5-1350-1X* 5-1350X**	SPL30-1350XC**
1976-1978	P20	1-Piece Driveshaft; w/ 1.062" Bearing Cup Dia.	A	5,9	5-153X*	5-1310-1X* 5-1310X**	
	P20	1-Piece Driveshaft; w/ 1.188" Bearing Cup Dia.	A	5,9	5-178X*	5-1350-1X* 5-1350X**	SPL30-1350XC**
	P20	2-Piece Driveshaft; w/ 1.062" Bearing Cup Dia.	B	5,7	5-153X*	5-1310-1X* 5-1310X**	
	P20	2-Piece Driveshaft; w/ 1.188" Bearing Cup Dia.	B	5,7	5-178X*	5-1350-1X* 5-1350X**	SPL30-1350XC**
	P20	2-Piece Driveshaft	B	9	5-178X*	5-1350-1X* 5-1350X**	SPL30-1350XC**
1979	P20	4-Speed	B	9	5-178X*	5-1350-1X* 5-1350X**	SPL30-1350XC**
1979-1981	P20		B	5,7	5-178X*	5-1350-1X* 5-1350X**	SPL30-1350XC**
	P20	3-Speed	B	9	5-153X*	5-1310-1X* 5-1310X**	
1980-1981	P20	Auto Trans; 4-Speed	B	9	5-153X*	5-1310-1X* 5-1310X**	
	P20	Standard Trans; 4-Speed	B	9	5-178X*	5-1350-1X* 5-1350X**	SPL30-1350XC**
1982-1983	P20		B	5,7,9	5-178X*	5-1350-1X* 5-1350X**	SPL30-1350XC**
1984	P20	2-Piece Driveshaft	B	5,7,9	5-178X*	5-1350-1X* 5-1350X**	SPL30-1350XC**
1984-1989	P20	1-Piece Driveshaft	A	5	5-178X*	5-1350-1X* 5-1350X**	SPL30-1350XC**
	P20	1-Piece Driveshaft	A	9	5-3147X*	5-795X**	
1985-1989	P20	2-Piece Driveshaft	B	5	5-178X*	5-1350-1X* 5-1350X**	SPL30-1350XC**
	P20	2-Piece Driveshaft; w/ Inside Snap Rings	B	7,9	5-3147X*	5-795X**	
	P20	2-Piece Driveshaft; w/ Outside Snap Rings	B	7,9	5-178X*	5-1350-1X* 5-1350X**	SPL30-1350XC**
1960-1966	P20 Series	4-Speed; 104.0" WB; 1-Piece Driveshaft	A	5,9	5-178X*	5-1350-1X* 5-1350X**	SPL30-1350XC**
	P20 Series	4-Speed; 125.0" WB; 137.0" WB; 2-Piece Driveshaft	B	5,7,9	5-178X*	5-1350-1X* 5-1350X**	SPL30-1350XC**
1964-1966	P20 Series	Auto Trans; 3-Speed; 125.0" WB; 137.0" WB; 2-Piece Driveshaft	B	5	5-153X*	5-1310-1X* 5-1310X**	
	P20 Series	Auto Trans; 3-Speed; 125.0" WB; 2-Piece Driveshaft	B	7,9	5-178X*	5-1350-1X* 5-1350X**	SPL30-1350XC**
1967	P20 Series	1-Piece Driveshaft	A	5,9	5-153X*	5-1310-1X* 5-1310X**	
	P20 Series	2-Piece Driveshaft; w/ 1.062" Bearing Cup Dia.	B	5	5-153X*	5-1310-1X* 5-1310X**	

\* GREASEABLE \*\* NON-GREASEABLE

RWD



**Chevrolet (Cont'd)**

Year	Model	Description	Fig.	Location	Spicer Part #	SPL (Uncoated) Part #	SPL (Coated) Part #
1967	P20 Series	2-Piece Driveshaft; w/ 1.125" Bearing Cup Dia.	B	5	5-3147X*	5-795X**	
	P20 Series	2-Piece Driveshaft	B	7,9	5-153X*	5-1310-1X* 5-1310X**	
1968-1974	P20 Van	1-Piece Driveshaft	A	5,9	5-153X*	5-1310-1X* 5-1310X**	
	P20 Van	2-Piece Driveshaft; w/ 1.062" Bearing Cup Dia.	B	5	5-153X*	5-1310-1X* 5-1310X**	
	P20 Van	2-Piece Driveshaft; w/ 1.125" Bearing Cup Dia.	B	5	5-3147X*	5-795X**	
	P20 Van	2-Piece Driveshaft	B	7,9	5-153X*	5-1310-1X* 5-1310X**	
1975-1977	P30		B	5,7,9	5-178X*	5-1350-1X* 5-1350X**	SPL30-1350XC**
1978	P30	w/ 3.469" Outside Yoke	B	5,7,9	5-153X*	5-1310-1X* 5-1310X**	
	P30	w/ 3.875" Outside Yoke	B	5,7,9	5-178X*	5-1350-1X* 5-1350X**	SPL30-1350XC**
1979	P30	1-Piece Driveshaft; w/ 3.469" Outside Yoke	A	5,9	5-153X*	5-1310-1X* 5-1310X**	
	P30	1-Piece Driveshaft; w/ 3.875" Outside Yoke	A	5,9	5-178X*	5-1350-1X* 5-1350X**	SPL30-1350XC**
	P30	2-Piece Driveshaft; w/ Outside Snap Rings; w/ 3.469" Outside Yoke	B	5,7,9	5-153X*	5-1310-1X* 5-1310X**	
	P30	2-Piece Driveshaft; w/ Outside Snap Rings; w/ 3.875" Outside Yoke	B	5,7,9	5-178X*	5-1350-1X* 5-1350X**	SPL30-1350XC**
	P30	2-Piece Driveshaft; w/ Inside Snap Rings	B	7	5-3147X*	5-795X**	
	P30	2-Piece Driveshaft; w/ Inside & Outside Snap Rings	B	9	5-212X*	5-793X**	
1980	P30	2-Piece Driveshaft; w/ Outside Snap Rings; w/ 4.438" Outside Yoke	B	9	5-160X*	5-1410-1X* 5-1410X**	
	P30	137.0" WB; 2-Piece Driveshaft	B	5	5-153X*	5-1310-1X* 5-1310X**	
1980-1981	P30	1-Piece Driveshaft	A	5	5-153X*	5-1310-1X* 5-1310X**	
	P30	1-Piece Driveshaft	A	9	5-178X*	5-1350-1X* 5-1350X**	SPL30-1350XC**
	P30	157.0" WB; Standard Trans; 4-Speed; Rear Disc Brakes; 2-Piece Driveshaft	B	5	5-153X*	5-1310-1X* 5-1310X**	
	P30	157.0" WB; Standard Trans; 4-Speed; Rear Drum Brakes; 2-Piece Driveshaft	B	5	5-178X*	5-1350-1X* 5-1350X**	SPL30-1350XC**
	P30	157.0" WB; THM400; Rear Disc Brakes; 2-Piece Driveshaft	B	5	5004989**		
	P30	178.0" WB; 2-Piece Driveshaft	B	5	5-160X*	5-1410-1X* 5-1410X**	
	P30	125.0" WB; 133.0" WB; 157.0" WB; 158.5" WB; 178.0" WB; Rear Disc Brakes; 2-Piece Driveshaft	B	7	5-153X*	5-1310-1X* 5-1310X**	
	P30	125.0" WB; 133.0" WB; 157.0" WB; 158.5" WB; 178.0" WB; Rear Drum Brakes; 2-Piece Driveshaft	B	7,9	5-178X*	5-1350-1X* 5-1350X**	SPL30-1350XC**
P30	125.0" WB; 133.0" WB; 157.0" WB; 158.5" WB; 178.0" WB; Rear Disc Brakes; 2-Piece Driveshaft	B	9	5004989**			

\* GREASEABLE \*\* NON-GREASEABLE

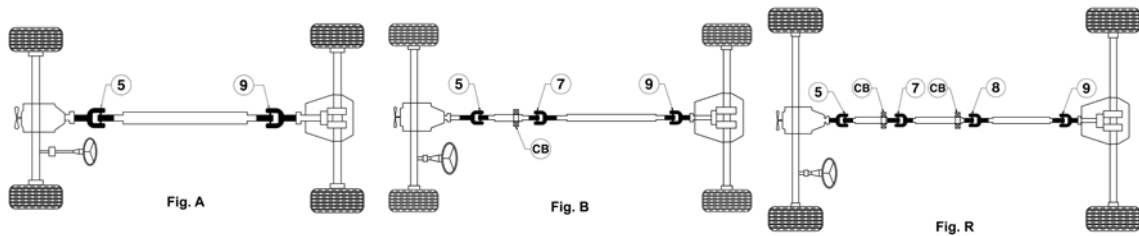
R  
W  
D

**Chevrolet (Cont'd)**

Year	Model	Description	Fig.	Location	Spicer Part #	SPL (Uncoated) Part #	SPL (Coated) Part #
1981	P30	125.0" WB; 133.0" WB; 137.0" WB; 2-Piece Driveshaft	B	5	5-178X*	5-1350-1X* 5-1350X**	SPL30-1350XC**
	P30	137.0" WB; 2-Piece Driveshaft	B	7,9	5-178X*	5-1350-1X* 5-1350X**	SPL30-1350XC**
1982	P30	Standard Cargo Van; Rear Disc Brakes; 2-Piece Driveshaft; Exc. Motor Home Chassis	B	5	5-153X*	5-1310-1X* 5-1310X**	
	P30	Standard Cargo Van; Rear Disc Brakes; 2-Piece Driveshaft; Exc. Motor Home Chassis	B	7	5-178X*	5-1350-1X* 5-1350X**	SPL30-1350XC**
	P30	Standard Cargo Van; Rear Disc Brakes; 2-Piece Driveshaft; Exc. Motor Home Chassis	B	9	5004989**		
1982-1983	P30	Stripped Chassis; Rear Disc Brakes; 2-Piece Driveshaft	B	5	5-160X*	5-1410-1X* 5-1410X**	
	P30	Stripped Chassis; Rear Disc Brakes; 2-Piece Driveshaft	B	7	5-153X*	5-1310-1X* 5-1310X**	
	P30	Stripped Chassis; Rear Disc Brakes; 2-Piece Driveshaft	B	9	5004989**		
	P30	178.0" WB; 3-Piece Driveshaft	R	5,7,8	5-178X*	5-1350-1X* 5-1350X**	SPL30-1350XC**
	P30	Exc. 178.0" WB; 3-Piece Driveshaft	R	5,7,8,9	5-178X*	5-1350-1X* 5-1350X**	SPL30-1350XC**
1983	P30	178.0" WB; 3-Piece Driveshaft	R	9	5004989**		
	P30	Standard Cargo Van; Rear Disc Brakes; 2-Piece Driveshaft	B	5	5-153X*	5-1310-1X* 5-1310X**	
	P30	Standard Cargo Van; Rear Disc Brakes; 2-Piece Driveshaft	B	7	5-178X*	5-1350-1X* 5-1350X**	SPL30-1350XC**
1984	P30	Standard Cargo Van; Rear Disc Brakes; 2-Piece Driveshaft	B	9	5004989**		
	P30	1-Piece Driveshaft; w/ Inside Snap Rings	A	5,9	5-3147X*	5-795X**	
	P30	1-Piece Driveshaft; w/ Outside Snap Rings; 3.875" Yoke	A	5,9	5-178X*	5-1350-1X* 5-1350X**	SPL30-1350XC**
	P30	1-Piece Driveshaft; w/ Outside Snap Rings; 4.438" Yoke	A	9	5-160X*	5-1410-1X* 5-1410X**	
	P30	Rear Disc Brakes; 2-Piece Driveshaft; w/ Outside Snap Rings; 3.875" Yoke	B	5,7,9	5-178X*	5-1350-1X* 5-1350X**	SPL30-1350XC**
	P30	Rear Drum Brakes; 2-Piece Driveshaft; w/ Inside Snap Rings	B	5,7,9	5-3147X*	5-795X**	
	P30	Rear Drum Brakes; 2-Piece Driveshaft; w/ Outside Snap Rings	B	5,7,9	5-178X*	5-1350-1X* 5-1350X**	SPL30-1350XC**
	P30	Rear Disc Brakes; 2-Piece Driveshaft; w/ Outside Snap Rings; 4.438" Yoke	B	5,9	5-160X*	5-1410-1X* 5-1410X**	
	P30	3-Piece Driveshaft	R	5,7,8	5-178X*	5-1350-1X* 5-1350X**	SPL30-1350XC**
1985-1990	P30	3-Piece Driveshaft	R	9	5-160X*	5-1410-1X* 5-1410X**	
	P30	125.0" WB; 133.0" WB; Auto Trans; Rear Disc Brakes; 2-Piece Driveshaft	B	5	5-160X*	5-1410-1X* 5-1410X**	
	P30	125.0" WB; 133.0" WB; Standard Trans; Rear Disc Brakes; Exc. 6.2L; 2-Piece Driveshaft	B	5	5-153X*	5-1310-1X* 5-1310X**	
	P30	157.0" WB; 158.5" WB; Auto Trans; Rear Disc Brakes; 6.2L; 2-Piece Driveshaft	B	5	5-160X*	5-1410-1X* 5-1410X**	
	P30	157.0" WB; 158.5" WB; Auto Trans; Rear Disc Brakes; Exc. 6.2L; 2-Piece Driveshaft	B	5	5004989**		
	P30	157.0" WB; 158.5" WB; Standard Trans; Rear Disc Brakes; 2-Piece Driveshaft	B	5	5-178X*	5-1350-1X* 5-1350X**	SPL30-1350XC**
	P30	157.0" WB; 158.5" WB; Standard Trans; Rear Drum Brakes; 2-Piece Driveshaft	B	5	5-178X*	5-1350-1X* 5-1350X**	SPL30-1350XC**
	P30	178.0" WB; Auto Trans; Rear Disc Brakes; 2-Piece Driveshaft; Exc. 16,000 Lbs GVW	B	5	5004989**		
	P30	178.0" WB; Auto Trans; Rear Disc Brakes; 2-Piece Driveshaft; 16,000 Lbs GVW	B	5,7	5-160X*	5-1410-1X* 5-1410X**	
	P30	178.0" WB; Standard Trans; Rear Disc Brakes; 2-Piece Driveshaft	B	5,7	5-178X*	5-1350-1X* 5-1350X**	SPL30-1350XC**
	P30	125.0" WB; 133.0" WB; Standard Trans; Rear Drum Brakes; 2-Piece Driveshaft	B	5,7,9	5-178X*	5-1350-1X* 5-1350X**	SPL30-1350XC**

\* GREASEABLE \*\* NON-GREASEABLE





**Chevrolet (Cont'd)**

Year	Model	Description	Fig.	Location	Spicer Part #	SPL (Uncoated) Part #	SPL (Coated) Part #
1985-1990	P30	137.0" WB; 2-Piece Driveshaft	B	5,7,9	5-178X*	5-1350-1X* 5-1350X**	SPL30-1350XC**
	P30	178.0" WB; Rear Drum Brakes; 2-Piece Driveshaft	B	5,7,9	5-160X*	5-1410-1X* 5-1410X**	
	P30	125.0" WB; 133.0" WB; Standard Trans; Rear Disc Brakes; 6.2L; 2-Piece Driveshaft	B	5,9	5-160X*	5-1410-1X* 5-1410X**	
	P30	125.0" WB; 133.0" WB; Auto Trans; Rear Disc Brakes; 2-Piece Driveshaft	B	7	5-178X*	5-1350-1X* 5-1350X**	SPL30-1350XC**
	P30	125.0" WB; 133.0" WB; Standard Trans; Rear Disc Brakes; 2-Piece Driveshaft	B	7	5-178X*	5-1350-1X* 5-1350X**	SPL30-1350XC**
	P30	157.0" WB; 158.5" WB; Rear Disc Brakes; 2-Piece Driveshaft	B	7	5-178X*	5-1350-1X* 5-1350X**	SPL30-1350XC**
	P30	178.0" WB; Auto Trans; Rear Disc Brakes; 2-Piece Driveshaft; Exc. 16,000 Lbs GVW	B	7	5-178X*	5-1350-1X* 5-1350X**	SPL30-1350XC**
	P30	157.0" WB; 158.5" WB; Rear Drum Brakes; 2-Piece Driveshaft	B	7,9	5-178X*	5-1350-1X* 5-1350X**	SPL30-1350XC**
	P30	125.0" WB; 133.0" WB; Auto Trans; Rear Disc Brakes; 2-Piece Driveshaft	B	9	5-160X*	5-1410-1X* 5-1410X**	
	P30	125.0" WB; 133.0" WB; Standard Trans; Rear Disc Brakes; Exc. 6.2L; 2-Piece Driveshaft	B	9	5-160X*	5-1410-1X* 5-1410X**	
	P30	157.0" WB; 158.5" WB; Rear Disc Brakes; 2-Piece Driveshaft	B	9	5-160X*	5-1410-1X* 5-1410X**	
	P30	178.0" WB; Rear Disc Brakes; 2-Piece Driveshaft	B	9	5-160X*	5-1410-1X* 5-1410X**	
	P30	178.0" WB; 3-Piece Driveshaft	R	5,7,8,9	5-178X*	5-1350-1X* 5-1350X**	SPL30-1350XC**
	P30	208.0" WB; 3-Piece Driveshaft	R	5,7,8,9	5-160X*	5-1410-1X* 5-1410X**	
1991-1999	P30	Rear Disc Brakes; 2-Piece Driveshaft	B	5,7,9	5-160X*	5-1410-1X* 5-1410X**	
	P30	Rear Drum Brakes; 2-Piece Driveshaft	B	5,7,9	5-178X*	5-1350-1X* 5-1350X**	SPL30-1350XC**
	P30	3-Piece Driveshaft	R	5,7,8,9	5-160X*	5-1410-1X* 5-1410X**	
1992-1996	P30	125.0" WB; Cab & Chassis; 1-Piece Driveshaft	A	5,9	5-178X*	5-1350-1X* 5-1350X**	SPL30-1350XC**
1960	P30 Series		A	5,9	5-178X*	5-1350-1X* 5-1350X**	SPL30-1350XC**
1961-1962	P30 Series	Standard Trans; 3-Speed	A	5	5-153X*	5-1310-1X* 5-1310X**	
	P30 Series	3-Speed HD; 4-Speed	A	5,9	5-178X*	5-1350-1X* 5-1350X**	SPL30-1350XC**
	P30 Series	Standard Trans; 3-Speed	A	9	5-178X*	5-1350-1X* 5-1350X**	SPL30-1350XC**
1963	P30 Series	Standard Trans; 3-Speed HD; 4-Speed; 1-Piece Driveshaft	A	5,9	5-153X*	5-1310-1X* 5-1310X**	
	P30 Series	Standard Trans; 3-Speed HD; 4-Speed; 2-Piece Driveshaft	B	5,7,9	5-153X*	5-1310-1X* 5-1310X**	
1963-1966	P30 Series	Standard Trans; 3-Speed; 1-Piece Driveshaft	A	5	5-178X*	5-1350-1X* 5-1350X**	SPL30-1350XC**
	P30 Series	Standard Trans; 3-Speed; 1-Piece Driveshaft	A	9	5-153X*	5-1310-1X* 5-1310X**	

\* GREASEABLE \*\* NON-GREASEABLE

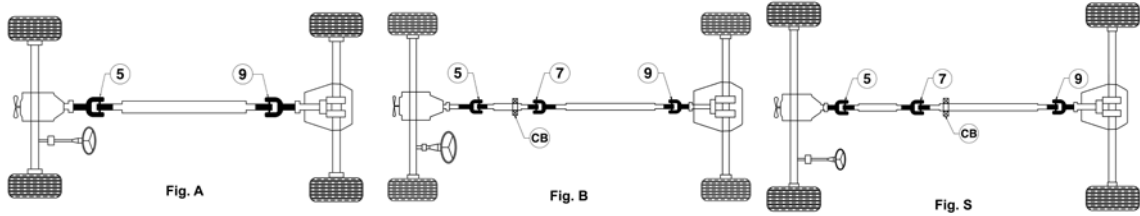
R  
W  
D

**Chevrolet (Cont'd)**

Year	Model	Description	Fig.	Location	Spicer Part #	SPL (Uncoated) Part #	SPL (Coated) Part #
1963-1966	P30 Series	Standard Trans; 3-Speed; 2-Piece Driveshaft	B	5	5-178X*	5-1350-1X* 5-1350X**	SPL30-1350XC**
	P30 Series	Auto Trans; 2-Piece Driveshaft	B	5,7	5-153X*	5-1310-1X* 5-1310X**	
	P30 Series	Standard Trans; 3-Speed; 2-Piece Driveshaft	B	7,9	5-153X*	5-1310-1X* 5-1310X**	
	P30 Series	Auto Trans; 2-Piece Driveshaft	B	9	5-178X*	5-1350-1X* 5-1350X**	SPL30-1350XC**
1964-1966	P30 Series	3-Speed HD; Standard Trans; 4-Speed; 1-Piece Driveshaft	A	5,9	5-153X*	5-1310-1X* 5-1310X**	
	P30 Series	3-Speed HD; Standard Trans; 4-Speed; 2-Piece Driveshaft	B	5,7,9	5-153X*	5-1310-1X* 5-1310X**	
1967	P30 Series		B	5,7,9	5-178X*	5-1350-1X* 5-1350X**	SPL30-1350XC**
1968-1974	P30 Van		B	5,7,9	5-178X*	5-1350-1X* 5-1350X**	SPL30-1350XC**
1987	R10	1-Piece Driveshaft; w/ Inside Snap Rings	A	5,9	5-3147X*	5-795X**	
	R10	2-Piece Driveshaft; w/ Inside Snap Rings	B	5,7,9	5-3147X*	5-795X**	
	R10	2-Piece Driveshaft; w/ Outside Snap Rings	B	5,7,9	5-178X*	5-1350-1X* 5-1350X**	SPL30-1350XC**
1987-1988	R10 Suburban	1-Piece Driveshaft; w/ Inside Snap Rings	A	5,9	5-3147X*	5-795X**	
	R10 Suburban	2-Piece Driveshaft; w/ Inside Snap Rings	B	5,7,9	5-3147X*	5-795X**	
	R10 Suburban	2-Piece Driveshaft; w/ Outside Snap Rings	B	5,7,9	5-178X*	5-1350-1X* 5-1350X**	SPL30-1350XC**
1989-1991	R1500 Suburban	1-Piece Driveshaft; w/ Inside Snap Rings	A	5,9	5-3147X*	5-795X**	
	R1500 Suburban	2-Piece Driveshaft; w/ Inside Snap Rings	B	5,7,9	5-3147X*	5-795X**	
	R1500 Suburban	2-Piece Driveshaft; w/ Outside Snap Rings	B	5,7,9	5-178X*	5-1350-1X* 5-1350X**	SPL30-1350XC**
1987-1988	R20	1-Piece Driveshaft; w/ Inside Snap Rings	A	5,9	5-3147X*	5-795X**	
	R20	2-Piece Driveshaft; w/ Inside Snap Rings	B	5,7,9	5-3147X*	5-795X**	
	R20	2-Piece Driveshaft; w/ Outside Snap Rings	B	5,7,9	5-178X*	5-1350-1X* 5-1350X**	SPL30-1350XC**
1987-1988	R20 Suburban	1-Piece Driveshaft; w/ Inside Snap Rings	A	5,9	5-3147X*	5-795X**	
	R20 Suburban	2-Piece Driveshaft; w/ Inside Snap Rings	B	5,7,9	5-3147X*	5-795X**	
	R20 Suburban	2-Piece Driveshaft; w/ Outside Snap Rings	B	5,7,9	5-178X*	5-1350-1X* 5-1350X**	SPL30-1350XC**
1989	R2500	1-Piece Driveshaft; w/ Inside Snap Rings	A	5,9	5-3147X*	5-795X**	
	R2500	2-Piece Driveshaft; w/ Inside Snap Rings	B	5,7,9	5-3147X*	5-795X**	
	R2500	2-Piece Driveshaft; w/ Outside Snap Rings	B	5,7,9	5-178X*	5-1350-1X* 5-1350X**	SPL30-1350XC**
1989-1990	R2500 Suburban	2-Piece Driveshaft; w/ Inside Snap Rings	B	5,7,9	5-3147X*	5-795X**	
1989-1991	R2500 Suburban	1-Piece Driveshaft; w/ Inside Snap Rings	A	5,9	5-3147X*	5-795X**	
	R2500 Suburban	2-Piece Driveshaft; w/ Outside Snap Rings	B	5,7,9	5-178X*	5-1350-1X* 5-1350X**	SPL30-1350XC**
1991	R2500 Suburban	2-Piece Driveshaft; w/ Steel Yoke	B	5	5-3147X*	5-795X**	
	R2500 Suburban	2-Piece Driveshaft; w/ Inside Snap Rings	B	7,9	5-3147X*	5-795X**	
1987-1988	R30	1-Piece Driveshaft; w/ Inside Snap Rings	A	5,9	5-3147X*	5-795X**	
	R30	2-Piece Driveshaft; w/ Inside Snap Rings	B	5,7,9	5-3147X*	5-795X**	
	R30	2-Piece Driveshaft; w/ Outside Snap Rings	B	5,7,9	5-178X*	5-1350-1X* 5-1350X**	SPL30-1350XC**
1989-1991	R3500	1-Piece Driveshaft; w/ Inside Snap Rings	A	5,9	5-3147X*	5-795X**	
	R3500	2-Piece Driveshaft; w/ Inside Snap Rings	B	5,7,9	5-3147X*	5-795X**	
	R3500	2-Piece Driveshaft; w/ Outside Snap Rings	B	5,7,9	5-178X*	5-1350-1X* 5-1350X**	SPL30-1350XC**
1982-1993	S10	2-Piece Driveshaft	S	5,7,9	5-3147X*	5-795X**	
1994-1996	S10	Standard Cab; 89.0" Bed; 1-Piece Driveshaft; w/ Aluminum Yoke	A	5		5-3614X**	
	S10	Standard Cab; 89.0" Bed; 1-Piece Driveshaft; w/ Steel Yoke	A	5	5-213X*	5-1330-1X* 5-1330X**	
	S10	Standard Cab; 73.1" Bed; 1-Piece Driveshaft	A	5,9	5-3147X*	5-795X**	
	S10	Standard Cab; 89.0" Bed; 1-Piece Driveshaft	A	9	5-212X*	5-793X**	
1994-1999	S10	Extended Cab; 2-Piece Driveshaft	S	5,7,9	5-3147X*	5-795X**	

\* GREASEABLE \*\* NON-GREASEABLE

RWD



**Chevrolet (Cont'd)**

Year	Model	Description	Fig.	Location	Spicer Part #	SPL (Uncoated) Part #	SPL (Coated) Part #
1997-1999	S10	Standard Cab; 1-Piece Driveshaft	A	5,9	5-3147X*	5-795X**	
2000-2003	S10	1-Piece Driveshaft	A	5,9	5-3147X*	5-795X**	
1983-1994	S10 Blazer		A	5,9	5-3147X*	5-795X**	
1999-2000	Silverado 1500	Standard Trans; 2-Piece Driveshaft	B	5,7	5-213X*	5-1330-1X* 5-1330X**	
	Silverado 1500	Auto Trans; 2-Piece Driveshaft	B	5,7,9	5-3147X*	5-795X**	
	Silverado 1500	Standard Trans; 2-Piece Driveshaft	B	9	5-212X*	5-793X**	
1999-2005	Silverado 1500	Standard Cab; Short Bed; 1-Piece Driveshaft	A	5,9	5-3147X*	5-795X**	
1999-2006	Silverado 1500	Standard Cab; Long Bed; 1-Piece Driveshaft	A	5	5-213X*	5-1330-1X* 5-1330X**	
	Silverado 1500	Standard Cab; Long Bed; 1-Piece Driveshaft	A	9	5-212X*	5-793X**	
	Silverado 1500	Standard Trans; w/o QuadraSteer	B	5,7	5-213X*	5-1330-1X* 5-1330X**	
2001	Silverado 1500	Auto Trans; w/o QuadraSteer	B	5,7,9	5-3147X*	5-795X**	
	Silverado 1500	Standard Trans; w/o QuadraSteer	B	9	5-212X*	5-793X**	
	Silverado 1500	2-Piece Driveshaft; w/ QuadraSteer	S	5,7	5-3147X*	5-795X**	
2002-2005	Silverado 1500	Extended Cab; Standard Trans; Long Bed; 2-Piece Driveshaft; w/o QuadraSteer	S	5,7	5-213X*	5-1330-1X* 5-1330X**	
	Silverado 1500	Extended Cab; Auto Trans; 2-Piece Driveshaft; w/o QuadraSteer	S	5,7,9	5-3147X*	5-795X**	
	Silverado 1500	2-Piece Driveshaft; w/ QuadraSteer	S	9	5-178X*	5-1350-1X* 5-1350X**	SPL30-1350XC**
2004-2005	Silverado 1500	Extended Cab; Standard Trans; Long Bed; 2-Piece Driveshaft; w/o QuadraSteer	S	9	5-212X*	5-793X**	
	Silverado 1500	Crew Cab; 1-Piece Driveshaft	A	5	5-213X*	5-1330-1X* 5-1330X**	
	Silverado 1500	Crew Cab; 1-Piece Driveshaft	A	9	5-212X*	5-793X**	
2005	Silverado 1500	Extended Cab; Standard Trans; Short Bed; 1-Piece Driveshaft	A	5	5-213X*	5-1330-1X* 5-1330X**	
	Silverado 1500	Extended Cab; Standard Trans; Short Bed; 1-Piece Driveshaft	A	9	5-212X*	5-793X**	
2006	Silverado 1500	Crew Cab; 1-Piece Driveshaft; w/o QuadraSteer	A	5	5-213X*	5-1330-1X* 5-1330X**	
	Silverado 1500	Crew Cab; 1-Piece Driveshaft; w/ QuadraSteer	A	5,9	5-178X*	5-1350-1X* 5-1350X**	SPL30-1350XC**
	Silverado 1500	Standard Cab; Standard Bed; 1-Piece Driveshaft	A	5,9	5-3147X*	5-795X**	
	Silverado 1500	Crew Cab; 1-Piece Driveshaft; w/o QuadraSteer	A	9	5-212X*	5-793X**	
	Silverado 1500	Extended Cab; Standard Trans; 2-Piece Driveshaft	S	5,7	5-213X*	5-1330-1X* 5-1330X**	
	Silverado 1500	Extended Cab; Auto Trans; 2-Piece Driveshaft	S	5,7,9	5-3147X*	5-795X**	
	Silverado 1500	Extended Cab; Standard Trans; 2-Piece Driveshaft	S	9	5-212X*	5-793X**	
2007-2013	Silverado 1500	1-Piece Driveshaft	A	5,9	5-3208X**		
	Silverado 1500	2-Piece Driveshaft	S	5,7,9	5-3208X**		
2014-2016	Silverado 1500	V6 4.3L; 1-Piece Driveshaft	A	5,9	5-3147X*	5-795X**	
	Silverado 1500	V8 5.3L; 1-Piece Driveshaft	A	5,9	5-160X*	5-1410-1X* 5-1410X**	
	Silverado 1500	V8 6.2L; 1-Piece Driveshaft	A	5,9	5-160X*	5-1410-1X* 5-1410X**	

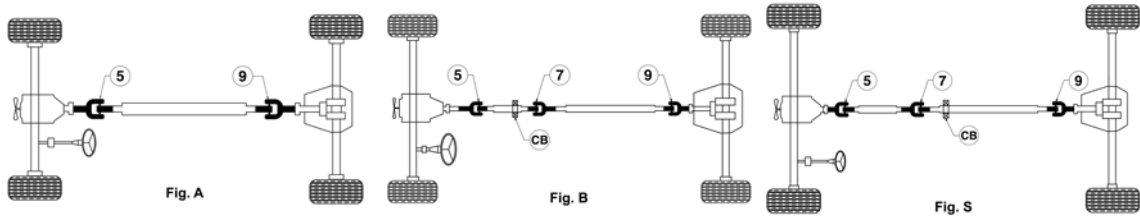
\* GREASEABLE \*\* NON-GREASEABLE

RWD

**Chevrolet (Cont'd)**

Year	Model	Description	Fig.	Location	Spicer Part #	SPL (Uncoated) Part #	SPL (Coated) Part #
2007	Silverado 1500 Classic	133.0" WB; 1-Piece Driveshaft	A	5	5-213X*	5-1330-1X* 5-1330X**	
	Silverado 1500 Classic	119.0" WB; 134.0" WB; 1-Piece Driveshaft	A	5,9	5-3147X*	5-795X**	
	Silverado 1500 Classic	133.0" WB; 1-Piece Driveshaft	A	9	5-212X*	5-793X**	
	Silverado 1500 Classic	LS; WT; Standard Trans; 143.5" WB; 2-Piece Driveshaft	S	5,7	5-213X*	5-1330-1X* 5-1330X**	
	Silverado 1500 Classic	LS; Auto Trans; 143.5" WB; 2-Piece Driveshaft	S	5,7,9	5-213X*	5-1330-1X* 5-1330X**	
	Silverado 1500 Classic	LS; LT; WT; 157.5" WB; 2-Piece Driveshaft	S	5,7,9	5-3147X*	5-795X**	
	Silverado 1500 Classic	LT; WT; Auto Trans; 143.5" WB; 2-Piece Driveshaft	S	5,7,9	5-3147X*	5-795X**	
	Silverado 1500 Classic	SS; 2-Piece Driveshaft	S	5,7,9	5-178X*	5-1350-1X* 5-1350X**	SPL30-1350XC**
2001	Silverado 1500 HD	w/ QuadraSteer	B	5,7	5-3147X*	5-795X**	
	Silverado 1500 HD	w/ QuadraSteer	B	9	5-178X*	5-1350-1X* 5-1350X**	SPL30-1350XC**
2002	Silverado 1500 HD	w/o QuadraSteer	S	5,7,9	5-178X*	5-1350-1X* 5-1350X**	SPL30-1350XC**
2003	Silverado 1500 HD	w/ QuadraSteer	S	5,7	5-3147X*	5-795X**	
	Silverado 1500 HD	w/ QuadraSteer	S	9	5-178X*	5-1350-1X* 5-1350X**	SPL30-1350XC**
2005-2006	Silverado 1500 HD		S	5,7,9	5-178X*	5-1350-1X* 5-1350X**	SPL30-1350XC**
2007	Silverado 1500 HD Classic	Aluminum Driveshaft	S	5,7,9		5-3615X**	
1999-2000	Silverado 2500	Auto Trans; w/ Aluminum Yoke	B	5,7,9		5-3615X**	
	Silverado 2500	Auto Trans; w/ Steel Yoke	B	5,7,9	5-178X*	5-1350-1X* 5-1350X**	SPL30-1350XC**
	Silverado 2500	Standard Trans; w/ Aluminum Yoke	B	5,7,9		5-3616X**	
	Silverado 2500	Standard Trans; w/ Steel Yoke	B	5,7,9	5-160X*	5-1410-1X* 5-1410X**	
2001	Silverado 2500		B	5,7,9	5-178X*	5-1350-1X* 5-1350X**	SPL30-1350XC**
2002-2004	Silverado 2500		S	5,7,9	5-178X*	5-1350-1X* 5-1350X**	SPL30-1350XC**
2001-2006	Silverado 2500 HD	w/ AAM 1415 Series	S	5,7,9	5-3207X**		
	Silverado 2500 HD	w/ Spicer 1410 Series; w/ Aluminum Yoke	S	5,7,9		5-3616X**	
	Silverado 2500 HD	w/ Spicer 1410 Series; w/ Steel Yoke	S	5,7,9	5-160X*	5-1410-1X* 5-1410X**	
	Silverado 2500 HD	w/ Spicer 1480 Series	S	5,7,9	5-188X*	SPL55-1X* SPL55X**	
2007-2010	Silverado 2500 HD	w/ AAM 1485 Series	S	5,7,9	5-3206X**		
	Silverado 2500 HD	w/ Spicer Driveshaft	S	5,7,9	5-160X*	5-1410-1X* 5-1410X**	
2011	Silverado 2500 HD	Diesel; w/ AAM 1485 Series	S	5,7,9	5-3206X**		
	Silverado 2500 HD	Flex-Fuel; Diesel; w/ Spicer Driveshaft	S	5,7,9	5-160X*	5-1410-1X* 5-1410X**	
	Silverado 2500 HD	Flex-Fuel; Exc. 133.0" WB; w/ AAM 1485 Series	S	5,7,9	5-3206X**		
2012-2013	Silverado 2500 HD		S	5	5-3207X**		
	Silverado 2500 HD	Diesel	S	7	5-3206X**		
	Silverado 2500 HD	Flex-Fuel; Gas	S	7	5-3207X**		
	Silverado 2500 HD		S	9	5-3206X**		
2014	Silverado 2500 HD	V8 6.0L; LT; 133.6" WB; 2-Piece Driveshaft	S	7	5-160X*	5-1410-1X* 5-1410X**	
	Silverado 2500 HD	V8 6.0L; LT; 153.7" WB; 2-Piece Driveshaft	S	7	5-160X*	5-1410-1X* 5-1410X**	
	Silverado 2500 HD	V8 6.0L; LT; 167.7" WB; 2-Piece Driveshaft	S	7	5-160X*	5-1410-1X* 5-1410X**	
	Silverado 2500 HD	V8 6.0L; WT; 133.6" WB; 2-Piece Driveshaft	S	7	5-160X*	5-1410-1X* 5-1410X**	

\* GREASEABLE \*\* NON-GREASEABLE



**Chevrolet (Cont'd)**

Year	Model	Description	Fig.	Location	Spicer Part #	SPL (Uncoated) Part #	SPL (Coated) Part #
2014	Silverado 2500 HD	V8 6.0L; WT; 153.7" WB; 2-Piece Driveshaft	S	7	5-160X*	5-1410-1X* 5-1410X**	
	Silverado 2500 HD	V8 6.0L; WT; 167.7" WB; 2-Piece Driveshaft	S	7	5-160X*	5-1410-1X* 5-1410X**	
	Silverado 2500 HD	V8 6.6L; LT; 2-Piece Driveshaft	S	7,9	5-188X*	SPL55-1X* SPL55X**	
	Silverado 2500 HD	V8 6.6L; LTZ; 2-Piece Driveshaft	S	7,9	5-188X*	SPL55-1X* SPL55X**	
	Silverado 2500 HD	V8 6.6L; WT; 2-Piece Driveshaft	S	7,9	5-188X*	SPL55-1X* SPL55X**	
	Silverado 2500 HD	V8 6.0L; LT; 153.7" WB; 2-Piece Driveshaft	S	9	5-188X*	SPL55-1X* SPL55X**	
	Silverado 2500 HD	V8 6.0L; LT; 167.7" WB; 2-Piece Driveshaft	S	9	5-188X*	SPL55-1X* SPL55X**	
	Silverado 2500 HD	V8 6.0L; LTZ; 2-Piece Driveshaft	S	9	5-188X*	SPL55-1X* SPL55X**	
	Silverado 2500 HD	V8 6.0L; WT; 167.7" WB; 2-Piece Driveshaft	S	9	5-188X*	SPL55-1X* SPL55X**	
2014-2015	Silverado 2500 HD	V8 6.0L; LTZ; 2-Piece Driveshaft	S	7	5-160X*	5-1410-1X* 5-1410X**	
2014-2016	Silverado 2500 HD	V8 6.6L; LT; 2-Piece Driveshaft	S	5	5-160X*	5-1410-1X* 5-1410X**	
	Silverado 2500 HD	V8 6.6L; LTZ; 2-Piece Driveshaft	S	5	5-160X*	5-1410-1X* 5-1410X**	
	Silverado 2500 HD	V8 6.6L; WT; 2-Piece Driveshaft	S	5	5-160X*	5-1410-1X* 5-1410X**	
2015	Silverado 2500 HD	V8 6.0L; High Country; 2-Piece Driveshaft	S	7	5-160X*	5-1410-1X* 5-1410X**	
	Silverado 2500 HD	V8 6.0L; LT; 2-Piece Driveshaft	S	7	5-160X*	5-1410-1X* 5-1410X**	
	Silverado 2500 HD	V8 6.0L; WT; 2-Piece Driveshaft	S	7	5-160X*	5-1410-1X* 5-1410X**	
	Silverado 2500 HD	2-Piece Driveshaft	S	9	5-188X*	SPL55-1X* SPL55X**	
2015-2016	Silverado 2500 HD	V8 6.6L; High Country; 2-Piece Driveshaft	S	7	5-160X*	5-1410-1X* 5-1410X**	
	Silverado 2500 HD	V8 6.6L; LT; 2-Piece Driveshaft	S	7	5-188X*	SPL55-1X* SPL55X**	
	Silverado 2500 HD	V8 6.6L; LTZ; 2-Piece Driveshaft	S	7	5-188X*	SPL55-1X* SPL55X**	
	Silverado 2500 HD	V8 6.6L; WT; 2-Piece Driveshaft	S	7	5-188X*	SPL55-1X* SPL55X**	
2016	Silverado 2500 HD	V8 6.0L; 2-Piece Driveshaft	S	7	5-160X*	5-1410-1X* 5-1410X**	
	Silverado 2500 HD	V8 6.0L; 2-Piece Driveshaft	S	9	5-188X*	SPL55-1X* SPL55X**	
	Silverado 2500 HD	V8 6.6L; 2-Piece Driveshaft	S	9	5-188X*	SPL55-1X* SPL55X**	
2007	Silverado 2500 HD Classic	w/ AAM 1415 Series	S	5,7,9	5-3207X**		

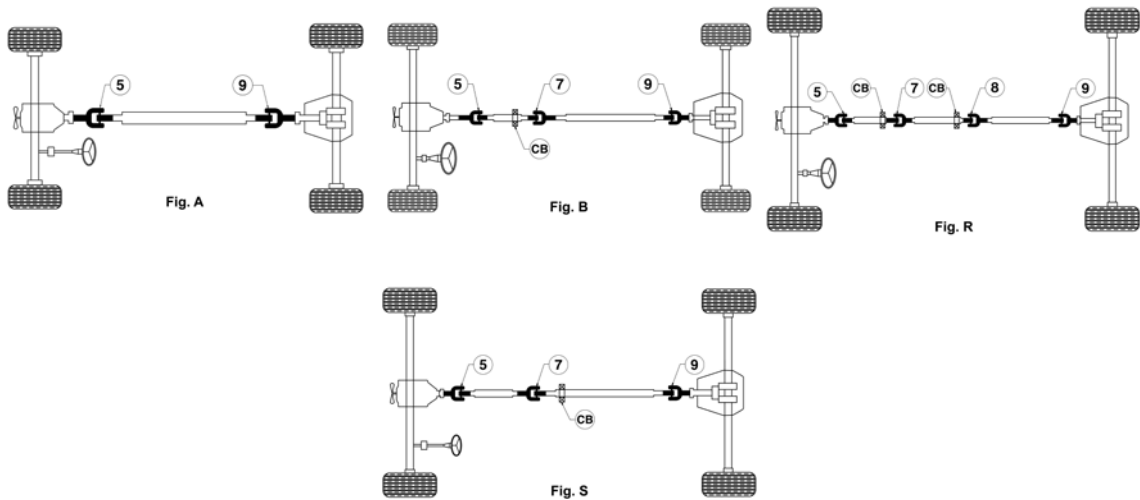
\* GREASEABLE \*\* NON-GREASEABLE

R  
W  
D

**Chevrolet (Cont'd)**

Year	Model	Description	Fig.	Location	Spicer Part #	SPL (Uncoated) Part #	SPL (Coated) Part #
2007	Silverado 2500 HD Classic	w/ Spicer 1410 Series; w/ Aluminum Yoke	S	5,7,9		5-3616X**	
	Silverado 2500 HD Classic	w/ Spicer 1410 Series; w/ Steel Yoke	S	5,7,9	5-160X*	5-1410-1X* 5-1410X**	
	Silverado 2500 HD Classic	w/ Spicer 1480 Series	S	5,7,9	5-188X*	SPL55-1X* SPL55X**	
2001-2002	Silverado 3500	3-Piece Driveshaft; w/ Spicer 1410 Series	R	5,7,8,9	5-160X*	5-1410-1X* 5-1410X**	
	Silverado 3500	2-Piece Driveshaft; w/ AAM 1415 Series	S	5,7,9	5-3207X**		
	Silverado 3500	2-Piece Driveshaft; w/ Spicer 1410 Series; w/ Aluminum Yoke	S	5,7,9		5-3616X**	
	Silverado 3500	2-Piece Driveshaft; w/ Spicer 1410 Series; w/ Steel Yoke	S	5,7,9	5-160X*	5-1410-1X* 5-1410X**	
2003-2006	Silverado 3500	2-Piece Driveshaft; w/ Spicer 1480 Series	S	5,7,9	5-188X*	SPL55-1X* SPL55X**	
	Silverado 3500	w/ AAM 1415 Series	S	5,7,9	5-3207X**		
	Silverado 3500	w/ Spicer 1410 Series; w/ Aluminum Yoke	S	5,7,9		5-3616X**	
	Silverado 3500	w/ Spicer 1410 Series; w/ Steel Yoke	S	5,7,9	5-160X*	5-1410-1X* 5-1410X**	
2007-2010	Silverado 3500 HD		S	5	5-3207X**		
	Silverado 3500 HD		S	7,9	5-3206X**		
2011	Silverado 3500 HD	w/ AAM 1485 Series	S	7,9	5-3206X**		
2011-2013	Silverado 3500 HD	w/ AAM 1415 Series	S	5	5-3207X**		
2014	Silverado 3500 HD	2-Piece Driveshaft	S	7,9	5-188X*	SPL55-1X* SPL55X**	
2014-2016	Silverado 3500 HD	2-Piece Driveshaft	S	5	5-160X*	5-1410-1X* 5-1410X**	
	Silverado 3500 HD	LT; LTZ; WT; 2-Piece Driveshaft	S	7	5-188X*	SPL55-1X* SPL55X**	
2015	Silverado 3500 HD	2-Piece Driveshaft	S	9	5-188X*	SPL55-1X* SPL55X**	
	Silverado 3500 HD	High Country; 2-Piece Driveshaft	S	7	5-160X*	5-1410-1X* 5-1410X**	
2015-2016	Silverado 3500 HD	LT; LTZ; WT; 2-Piece Driveshaft	S	7,9	5-188X*	SPL55-1X* SPL55X**	
	Silverado 3500 HD	High Country; 2-Piece Driveshaft	S	9	5-188X*	SPL55-1X* SPL55X**	
2003-2006	SSR	1-Piece Driveshaft	A	5,9	5-3147X*	5-795X**	
2000-2006	Suburban 1500	1-Piece Driveshaft	A	5	5-213X*	5-1330-1X* 5-1330X**	
	Suburban 1500	1-Piece Driveshaft	A	9	5-212X*	5-793X**	
2007-2008	Suburban 1500	V8 5.3L; 1-Piece Driveshaft	A	5,9	5-3147X*	5-795X**	
	Suburban 1500	V8 6.0L; 1-Piece Driveshaft	A	5,9	5-178X*	5-1350-1X* 5-1350X**	SPL30-1350XC**
2009-2014	Suburban 1500	1-Piece Driveshaft	A	5,9	5-178X*	5-1350-1X* 5-1350X**	SPL30-1350XC**
2001-2006	Suburban 2500	V8 6.0L; 1-Piece Driveshaft	A	5,9	5-178X*	5-1350-1X* 5-1350X**	SPL30-1350XC**
	Suburban 2500	V8 8.1L; 1-Piece Driveshaft	A	5,9	5-160X*	5-1410-1X* 5-1410X**	
2007	Suburban 2500	1-Piece Driveshaft	A	5,9	5-178X*	5-1350-1X* 5-1350X**	SPL30-1350XC**
2008-2013	Suburban 2500	1-Piece Driveshaft	A	5,9	5-160X*	5-1410-1X* 5-1410X**	
1997-2002	T6500		B	CB	210866-1X		
1997-2002	T7500		B	CB	210866-1X		
1995-1999	Tahoe		A	5,9	5-3147X*	5-795X**	
2000-2007	Tahoe	1-Piece Driveshaft	A	5,9	5-3147X*	5-795X**	
2008	Tahoe	V8 4.8L; 1-Piece Driveshaft	A	5,9	5-3147X*	5-795X**	
	Tahoe	V8 5.3L; 1-Piece Driveshaft	A	5,9	5-3147X*	5-795X**	

\* GREASEABLE \*\* NON-GREASEABLE



**Chevrolet (Cont'd)**

Year	Model	Description	Fig.	Location	Spicer Part #	SPL (Uncoated) Part #	SPL (Coated) Part #
2008	Tahoe	V8 6.0L; 1-Piece Driveshaft	A	5,9	5-178X*	5-1350-1X* 5-1350X**	SPL30-1350XC**
	Tahoe	V8 6.2L; 1-Piece Driveshaft	A	5,9	5-178X*	5-1350-1X* 5-1350X**	SPL30-1350XC**
2009-2016	Tahoe	1-Piece Driveshaft	A	5,9	5-178X*	5-1350-1X* 5-1350X**	SPL30-1350XC**
1998-2004	Tracker		A	5,9	5-1503X*		
2002-2005	Trailblazer	1-Piece Driveshaft	A	5,9	5-3147X*	5-795X**	
2006-2008	Trailblazer	L6 4.2L; 1-Piece Driveshaft	A	5,9	5-3147X*	5-795X**	
	Trailblazer	V8 5.3L; 1-Piece Driveshaft	A	5,9	5-3147X*	5-795X**	
	Trailblazer	V8 6.0L; 1-Piece Driveshaft	A	5,9	5-178X*	5-1350-1X* 5-1350X**	SPL30-1350XC**
2009	Trailblazer	1-Piece Driveshaft	A	5,9	5-178X*	5-1350-1X* 5-1350X**	SPL30-1350XC**
2002-2006	Trailblazer EXT	1-Piece Driveshaft	A	5,9	5-3147X*	5-795X**	

**Chrysler**

Year	Model	Description	Fig.	Location	Spicer Part #	SPL (Uncoated) Part #	SPL (Coated) Part #
2007-2009	Aspen	1-Piece Driveshaft	A	5,9	5-3147X*	5-795X**	

**Dodge**

Year	Model	Description	Fig.	Location	Spicer Part #	SPL (Uncoated) Part #	SPL (Coated) Part #
1964-1970	A100		A	5,9	5-3228X*	5-789X**	
1967-1970	A100 Pickup		A	5,9	5-3228X*	5-789X**	
1964-1970	A100 Truck		A	5,9	5-3228X*	5-789X**	
1975-1980	B100	w/ 2.125" Snap Ring	A	5,9	5-3228X*	5-789X**	
	B100	w/ 2.625" Snap Ring	A	5,9	5-1309X*	5-811X**	
1971-1973	B100 Van		A	5,9	5-3228X*	5-789X**	
1974	B100 Van	3.7L; 5.2L; 5.9L	A	5,9	5-3228X*	5-789X**	
	B100 Van	7.2L	A	5,9	5-1309X*	5-811X**	
1981	B150	w/ 2.125" Snap Ring	A	5,9	5-3228X*	5-789X**	
	B150	w/ 2.625" Snap Ring	A	5,9	5-1309X*	5-811X**	
1982-1987	B150		A	5,9	5-3228X*	5-789X**	
1988	B150	2-Piece Driveshaft	B	5,7,9	5-1309X*	5-811X**	
1988-1991	B150	1-Piece Driveshaft	A	5,9	5-3228X*	5-789X**	
1989-1991	B150	2-Piece Driveshaft	B	5,7,9	5-160X*	5-1410-1X* 5-1410X**	
1992-1994	B150	1.078" Bearing Cup Dia.	A	5,9	5-3228X*	5-789X**	

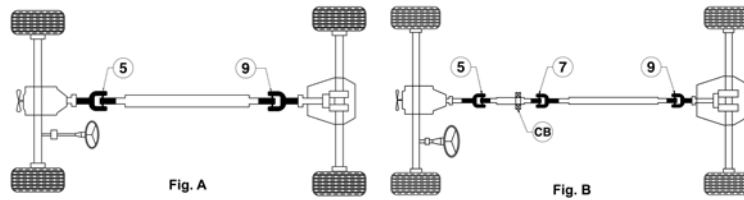
\* GREASEABLE \*\* NON-GREASEABLE

**Dodge (Cont'd)**

Year	Model	Description	Fig.	Location	Spicer Part #	SPL (Uncoated) Part #	SPL (Coated) Part #
1992-1994	B150	1.126" Bearing Cup Dia.	A	5,9	5-1309X*	5-811X**	
1995-1997	B1500		A	5,9	5-1309X*	5-811X**	
1998	B1500	127.6" WB	A	5	5-213X*	5-1330-1X* 5-1330X**	
	B1500	109.6" WB	A	5,9	5-1309X*	5-811X**	
	B1500	127.6" WB	A	9	5-3227X*	5-7437X**	
1975-1980	B200	w/ 2.125" Snap Ring	A	5,9	5-3228X*	5-789X**	
	B200	w/ 2.625" Snap Ring	A	5,9	5-1309X*	5-811X**	
1971-1973	B200 Van		A	5,9	5-3228X*	5-789X**	
1974	B200 Van	w/ 2.125" Snap Ring	A	5,9	5-3228X*	5-789X**	
	B200 Van	w/ 2.625" Snap Ring	A	5,9	5-1309X*	5-811X**	
1981	B250	w/ 2.125" Snap Ring	A	5,9	5-3228X*	5-789X**	
	B250	w/ 2.625" Snap Ring	A	5,9	5-1309X*	5-811X**	
1982-1988	B250		A	5,9	5-3228X*	5-789X**	
1989-1991	B250	1-Piece Driveshaft	A	5,9	5-3228X*	5-789X**	
	B250	2-Piece Driveshaft	B	5,7,9	5-160X*	5-1410-1X* 5-1410X**	
1992-1994	B250	1.078" Bearing Cup Dia.	A	5,9	5-3228X*	5-789X**	
	B250	1.125" Bearing Cup Dia.	A	5,9	5-1309X*	5-811X**	
1995-1997	B2500		A	5,9	5-1309X*	5-811X**	
1998	B2500		A	5	5-213X*	5-1330-1X* 5-1330X**	
	B2500	w/ Steel Yoke	A	9	5-3227X*	5-7437X**	
1975-1980	B300	1-Piece Driveshaft; w/ 2.125" Snap Ring	A	5,9	5-3228X*	5-789X**	
	B300	1-Piece Driveshaft; w/ 2.625" Snap Ring	A	5,9	5-1309X*	5-811X**	
	B300	2-Piece Driveshaft; w/ 2.125" Snap Ring	B	5,7,9	5-3228X*	5-789X**	
	B300	2-Piece Driveshaft; w/ 2.625" Snap Ring	B	5,7,9	5-1309X*	5-811X**	
1971-1974	B300 Van	1-Piece Driveshaft; w/ 2.125" Snap Ring	A	5,9	5-3228X*	5-789X**	
	B300 Van	1-Piece Driveshaft; w/ 2.625" Snap Ring	A	5,9	5-1309X*	5-811X**	
	B300 Van	2-Piece Driveshaft; w/ 2.125" Snap Ring	B	5,7,9	5-3228X*	5-789X**	
	B300 Van	2-Piece Driveshaft; w/ 2.625" Snap Ring	B	5,7,9	5-1309X*	5-811X**	
1981	B350	1-Piece Driveshaft; w/ 2.125" Snap Ring	A	5,9	5-3228X*	5-789X**	
	B350	1-Piece Driveshaft; w/ 2.625" Snap Ring	A	5,9	5-1309X*	5-811X**	
	B350	2-Piece Driveshaft; w/ 2.125" Snap Ring	B	5,7,9	5-3228X*	5-789X**	
	B350	2-Piece Driveshaft; w/ 2.625" Snap Ring	B	5,7,9	5-1309X*	5-811X**	
1982-1988	B350	2-Piece Driveshaft	B	5,7,9	5-3228X*	5-789X**	
1982-1991	B350	1-Piece Driveshaft	A	5,9	5-3228X*	5-789X**	
1989-1991	B350	2-Piece Driveshaft	B	5,7,9	5-160X*	5-1410-1X* 5-1410X**	
1992-1994	B350	1.078" Bearing Cup Dia.; 7260 Series	A	5,9	5-3228X*	5-789X**	
	B350	1.125" Bearing Cup Dia.; 7290 Series	A	5,9	5-1309X*	5-811X**	
1995-1998	B3500	1.125" Bearing Cup Dia.; 7290 Series	A	5,9	5-1309X*	5-811X**	
	B3500	1.188" Bearing Cup Dia.; 1410 Series	A	5,9	5-160X*	5-1410-1X* 5-1410X**	
1973-1980	CB300	1-Piece Driveshaft; w/ 2.125" Snap Ring	A	5,9	5-3228X*	5-789X**	
	CB300	1-Piece Driveshaft; w/ 2.625" Snap Ring	A	5,9	5-1309X*	5-811X**	
	CB300	2-Piece Driveshaft; w/ 2.125" Snap Ring	B	5,7,9	5-3228X*	5-789X**	
	CB300	2-Piece Driveshaft; w/ 2.625" Snap Ring	B	5,7,9	5-1309X*	5-811X**	
1975-1979	D100	1-Piece Driveshaft; w/ 2.125" Snap Ring	A	5,9	5-3228X*	5-789X**	
	D100	1-Piece Driveshaft; w/ 2.625" Snap Ring	A	5,9	5-1309X*	5-811X**	
	D100	2-Piece Driveshaft; w/ 2.125" Snap Ring	B	5,7,9	5-3228X*	5-789X**	
	D100	2-Piece Driveshaft; w/ 2.625" Snap Ring	B	5,7,9	5-1309X*	5-811X**	
1957-1959	D100 Pickup		B	5,7,9	5-1200X*		
1968-1972	D100 Pickup		B	5,7,9	5-3228X*	5-789X**	
1973-1974	D100 Pickup	1-Piece Driveshaft; w/ 2.125" Snap Ring	A	5,9	5-3228X*	5-789X**	
	D100 Pickup	1-Piece Driveshaft; w/ 2.625" Snap Ring	A	5,9	5-1309X*	5-811X**	
	D100 Pickup	2-Piece Driveshaft; w/ 2.125" Snap Ring	B	5,7,9	5-3228X*	5-789X**	
	D100 Pickup	2-Piece Driveshaft; w/ 2.625" Snap Ring	B	5,7,9	5-1309X*	5-811X**	
1960	D100 Series		B	5,7,9	5-1200X*		

\* GREASEABLE \*\* NON-GREASEABLE





**Dodge (Cont'd)**

Year	Model	Description	Fig.	Location	Spicer Part #	SPL (Uncoated) Part #	SPL (Coated) Part #
1961-1967	D100 Series		B	5,7,9	5-3228X*	5-789X**	
1977-1981	D150	1-Piece Driveshaft; w/ 2.125" Snap Ring	A	5,9	5-3228X*	5-789X**	
	D150	1-Piece Driveshaft; w/ 2.625" Snap Ring	A	5,9	5-1309X*	5-811X**	
	D150	2-Piece Driveshaft; w/ 2.125" Snap Ring	B	5,7,9	5-3228X*	5-789X**	
	D150	2-Piece Driveshaft; w/ 2.625" Snap Ring	B	5,7,9	5-1309X*	5-811X**	
1982-1988	D150		B	5,7,9	5-3228X*	5-789X**	
1989-1993	D150	1.078" Bearing Cup Dia.; 7260 Series	B	5,7,9	5-3228X*	5-789X**	
	D150	1.125" Bearing Cup Dia.; 7290 Series	B	5,7,9	5-1309X*	5-811X**	
1975-1980	D200	1-Piece Driveshaft; w/ 2.125" Snap Ring	A	5,9	5-3228X*	5-789X**	
	D200	1-Piece Driveshaft; w/ 2.625" Snap Ring	A	5,9	5-1309X*	5-811X**	
	D200	2-Piece Driveshaft; w/ 2.125" Snap Ring	B	5,7,9	5-3228X*	5-789X**	
	D200	2-Piece Driveshaft; w/ 2.625" Snap Ring	B	5,7,9	5-1309X*	5-811X**	
1957-1959	D200 Pickup		B	5,7,9	5-1200X*		
1968-1974	D200 Pickup	1-Piece Driveshaft; w/ 2.125" Snap Ring	A	5,9	5-3228X*	5-789X**	
	D200 Pickup	1-Piece Driveshaft; w/ 2.625" Snap Ring	A	5,9	5-1309X*	5-811X**	
	D200 Pickup	2-Piece Driveshaft; w/ 2.125" Snap Ring	B	5,7,9	5-3228X*	5-789X**	
	D200 Pickup	2-Piece Driveshaft; w/ 2.625" Snap Ring	B	5,7,9	5-1309X*	5-811X**	
1960-1967	D200 Series	1-Piece Driveshaft; w/ 2.125" Snap Ring	A	5,9	5-3228X*	5-789X**	
	D200 Series	1-Piece Driveshaft; w/ 2.625" Snap Ring	A	5,9	5-1309X*	5-811X**	
	D200 Series	2-Piece Driveshaft; w/ 2.125" Snap Ring	B	5,7,9	5-3228X*	5-789X**	
	D200 Series	2-Piece Driveshaft; w/ 2.625" Snap Ring	B	5,7,9	5-1309X*	5-811X**	
1981	D250	1-Piece Driveshaft; w/ 2.125" Snap Ring	A	5,9	5-3228X*	5-789X**	
	D250	1-Piece Driveshaft; w/ 2.625" Snap Ring	A	5,9	5-1309X*	5-811X**	
	D250	2-Piece Driveshaft; w/ 2.125" Snap Ring	B	5,7,9	5-3228X*	5-789X**	
	D250	2-Piece Driveshaft; w/ 2.625" Snap Ring	B	5,7,9	5-1309X*	5-811X**	
1982-1988	D250	1-Piece Driveshaft	A	5,9	5-3228X*	5-789X**	
	D250	2-Piece Driveshaft	B	5,7,9	5-3228X*	5-789X**	
1989-1993	D250	Diesel; 1-Piece Driveshaft	A	5,9	5-160X*	5-1410-1X* 5-1410X**	
	D250	Gas; 1-Piece Driveshaft; 1.078" Bearing Cup Dia.	A	5,9	5-3228X*	5-789X**	
	D250	Gas; 1-Piece Driveshaft; 1.125" Bearing Cup Dia.	A	5,9	5-1309X*	5-811X**	
	D250	Diesel; 2-Piece Driveshaft	B	5,7,9	5-160X*	5-1410-1X* 5-1410X**	
	D250	Gas; 2-Piece Driveshaft; 1.078" Bearing Cup Dia.	B	5,7,9	5-3228X*	5-789X**	
	D250	Gas; 2-Piece Driveshaft; 1.125" Bearing Cup Dia.	B	5,7,9	5-1309X*	5-811X**	
1975-1980	D300	1-Piece Driveshaft; w/ 2.125" Snap Ring	A	5,9	5-3228X*	5-789X**	
	D300	1-Piece Driveshaft; w/ 2.625" Snap Ring	A	5,9	5-1309X*	5-811X**	
	D300	2-Piece Driveshaft; w/ 2.125" Snap Ring	B	5,7,9	5-3228X*	5-789X**	
	D300	2-Piece Driveshaft; w/ 2.625" Snap Ring	B	5,7,9	5-1309X*	5-811X**	
1968-1971	D300 Pickup		B	5,7,9	5-3228X*	5-789X**	
1972-1974	D300 Pickup	1-Piece Driveshaft; w/ 2.125" Snap Ring	A	5,9	5-3228X*	5-789X**	
	D300 Pickup	1-Piece Driveshaft; w/ 2.625" Snap Ring	A	5,9	5-1309X*	5-811X**	
	D300 Pickup	2-Piece Driveshaft; w/ 2.125" Snap Ring	B	5,7,9	5-3228X*	5-789X**	
	D300 Pickup	2-Piece Driveshaft; w/ 2.625" Snap Ring	B	5,7,9	5-1309X*	5-811X**	
1960-1967	D300 Series		B	5,7,9	5-3228X*	5-789X**	

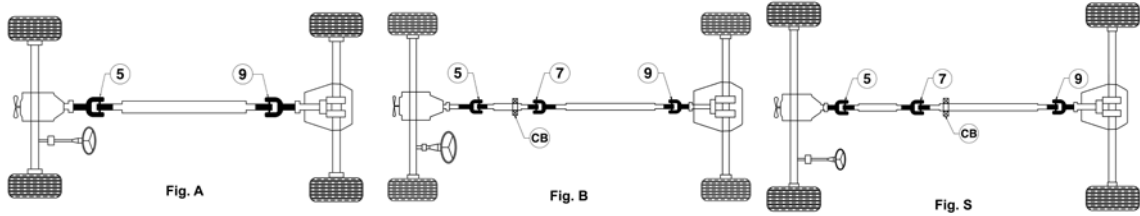
\* GREASEABLE \*\* NON-GREASEABLE

RWD

**Dodge (Cont'd)**

Year	Model	Description	Fig.	Location	Spicer Part #	SPL (Uncoated) Part #	SPL (Coated) Part #
1981	D350	1-Piece Driveshaft; w/ 2.125" Snap Ring	A	5,9	5-3228X*	5-789X**	
	D350	1-Piece Driveshaft; w/ 2.625" Snap Ring	A	5,9	5-1309X*	5-811X**	
	D350	2-Piece Driveshaft; w/ 2.125" Snap Ring	B	5,7,9	5-3228X*	5-789X**	
	D350	2-Piece Driveshaft; w/ 2.625" Snap Ring	B	5,7,9	5-1309X*	5-811X**	
1982-1988	D350		B	5,7,9	5-3228X*	5-789X**	
1989-1993	D350	Diesel; 1-Piece Driveshaft	A	5,9	5-160X*	5-1410-1X* 5-1410X**	
	D350	Gas; 1-Piece Driveshaft; 1.078" Bearing Cup Dia.	A	5,9	5-3228X*	5-789X**	
	D350	Gas; 1-Piece Driveshaft; 1.125" Bearing Cup Dia.	A	5,9	5-1309X*	5-811X**	
	D350	Diesel; 2-Piece Driveshaft	B	5,7,9	5-160X*	5-1410-1X* 5-1410X**	
	D350	Gas; 2-Piece Driveshaft; 1.078" Bearing Cup Dia.	B	5,7,9	5-3228X*	5-789X**	
	D350	Gas; 2-Piece Driveshaft; 1.125" Bearing Cup Dia.	B	5,7,9	5-1309X*	5-811X**	
1979-1982	D50	2.0L	A	5,9	5-1503X*		
	D50	2.6L	A	5,9	5-3217X*		
1987-1989	Dakota	1-Piece Driveshaft	A	5,9	5-3228X*	5-789X**	
	Dakota	2-Piece Driveshaft	B	5,7,9	5-3228X*	5-789X**	
1990-1993	Dakota	1-Piece Driveshaft; 1.078" Bearing Cup Dia.	A	5,9	5-3228X*	5-789X**	
	Dakota	1-Piece Driveshaft; 1.126" Bearing Cup Dia.	A	5,9	5-1309X*	5-811X**	
	Dakota	2-Piece Driveshaft; 1.078" Bearing Cup Dia.	B	5,7,9	5-3228X*	5-789X**	
	Dakota	2-Piece Driveshaft; 1.126" Bearing Cup Dia.	B	5,7,9	5-1309X*	5-811X**	
1994-1998	Dakota	1-Piece Driveshaft	A	5,9	5-1309X*	5-811X**	
	Dakota	2-Piece Driveshaft	B	5,7,9	5-1309X*	5-811X**	
1999	Dakota	1.063" & 1.125" Bearing Cup Dia.	A	9		5-7437X**	
1999-2010	Dakota	1-Piece Driveshaft	A	5,9	5-213X*	5-1330-1X* 5-1330X**	
	Dakota	2-Piece Driveshaft	B	5,7,9	5-213X*	5-1330-1X* 5-1330X**	
1999	Durango		A	5,9	5-1309X*	5-811X**	
2000	Durango	V8 4.7L; 1-Piece Driveshaft	A	5,9	5-213X*	5-1330-1X* 5-1330X**	
	Durango	V8 5.2L; 1-Piece Driveshaft	A	5,9	5-3147X*	5-795X**	
	Durango	V8 5.9L; 1-Piece Driveshaft	A	5,9	5-213X*	5-1330-1X* 5-1330X**	
2001-2003	Durango	1-Piece Driveshaft	A	5,9	5-213X*	5-1330-1X* 5-1330X**	
2004-2009	Durango	1-Piece Driveshaft	A	5,9	5-3147X*	5-795X**	
1972-1974	MB300	w/ 2.125" Snap Ring	B	5,7,9	5-3228X*	5-789X**	
	MB300	w/ 2.625" Snap Ring	B	5,7,9	5-1309X*	5-811X**	
1961-1969	P200	1-Piece Driveshaft	A	5,9	5-3228X*	5-789X**	
	P200	2-Piece Driveshaft	B	5,7,9	5-3228X*	5-789X**	
1970-1972	P200		A	5,9	5-3228X*	5-789X**	
1967-1968	P200 Van	1-Piece Driveshaft	A	5,9	5-3228X*	5-789X**	
	P200 Van	2-Piece Driveshaft	B	5,7,9	5-3228X*	5-789X**	
1969-1974	P200 Van		A	5,9	5-3228X*	5-789X**	
1994-1997	Ram 1500	1-Piece Driveshaft; 1.063 x 1.126" Bearing Cup Dia.; 1330 X 7290 Outside/Inside Snap Ring	A	5		5-7437X**	
	Ram 1500	1-Piece Driveshaft; w/ Steel Shaft	A	5,9	5-1309X*	5-811X**	
	Ram 1500	1-Piece Driveshaft	A	9		5-7437X**	
1994-1998	Ram 1500	2-Piece Driveshaft	B	5,7,9	5-1309X*	5-811X**	
1998	Ram 1500	Auto Trans; 1-Piece Driveshaft	A	5	5-213X*	5-1330-1X* 5-1330X**	
	Ram 1500	Standard Trans; 1-Piece Driveshaft	A	5,9	5-1309X*	5-811X**	
1999	Ram 1500	Auto Trans; 1-Piece Driveshaft	A	9	5-3227X*	5-7437X**	
	Ram 1500	1-Piece Driveshaft	A	5	5-213X*	5-1330-1X* 5-1330X**	

\* GREASEABLE \*\* NON-GREASEABLE



**Dodge (Cont'd)**

Year	Model	Description	Fig.	Location	Spicer Part #	SPL (Uncoated) Part #	SPL (Coated) Part #
1999	Ram 1500	1-Piece Driveshaft	A	9	5-3227X*	5-7437X**	
	Ram 1500	2-Piece Driveshaft	B	5,7	5-213X*	5-1330-1X* 5-1330X**	
2000-2003	Ram 1500	2-Piece Driveshaft	B	9	5-3227X*	5-7437X**	
	Ram 1500	1-Piece Driveshaft	A	5,9	5-213X*	5-1330-1X* 5-1330X**	
2004	Ram 1500	2-Piece Driveshaft	B	5,7,9	5-213X*	5-1330-1X* 5-1330X**	
	Ram 1500	SLT; ST; 1-Piece Driveshaft	A	5,9	5-213X*	5-1330-1X* 5-1330X**	
2004	Ram 1500	SRT-10; 1-Piece Driveshaft	A	5,9	5-160X*	5-1410-1X* 5-1410X**	
	Ram 1500	SLT; ST; 2-Piece Driveshaft	B	5,7,9	5-213X*	5-1330-1X* 5-1330X**	
2005	Ram 1500	Laramie; SLT; ST; 1-Piece Driveshaft	A	5,9	5-213X*	5-1330-1X* 5-1330X**	
	Ram 1500	SRT-10; 1-Piece Driveshaft	A	5,9	5-178X*	5-1350-1X* 5-1350X**	SPL30-1350XC**
	Ram 1500	Laramie; SLT; ST; 2-Piece Driveshaft	B	5,7,9	5-213X*	5-1330-1X* 5-1330X**	
	Ram 1500	SRT-10; 2-Piece Driveshaft; w/ Aluminum Yoke	B	5,9		5-3616X**	
	Ram 1500	SRT-10; 2-Piece Driveshaft; w/ Steel Yoke	B	5,9	5-160X*	5-1410-1X* 5-1410X**	
2006	Ram 1500	Crew Cab; Standard Cab; Laramie; SLT; Sport; ST; 1-Piece Driveshaft	A	5,9	5-213X*	5-1330-1X* 5-1330X**	
	Ram 1500	Standard Cab; SRT-10; 1-Piece Driveshaft	A	5,9	5-178X*	5-1350-1X* 5-1350X**	SPL30-1350XC**
	Ram 1500	Crew Cab; SRT-10; 2-Piece Driveshaft; w/ Aluminum Yoke	B	5,7,9		5-3616X**	
	Ram 1500	Crew Cab; SRT-10; 2-Piece Driveshaft; w/ Steel Yoke	B	5,7,9	5-160X*	5-1410-1X* 5-1410X**	
	Ram 1500	Crew Cab; Standard Cab; Laramie; SLT; Sport; ST; 2-Piece Driveshaft	B	5,7,9	5-213X*	5-1330-1X* 5-1330X**	
	Ram 1500	Extended Crew Cab; Laramie; SLT; 2-Piece Driveshaft	B	5,7,9	5-3207X**		
2007-2008	Ram 1500	Crew Cab; Standard Cab; 1-Piece Driveshaft	A	5,9	5-213X*	5-1330-1X* 5-1330X**	
	Ram 1500	Crew Cab; Standard Cab; 2-Piece Driveshaft	S	5,7,9	5-178X*	5-1350-1X* 5-1350X**	SPL30-1350XC**
	Ram 1500	Extended Crew Cab; 2-Piece Driveshaft	S	5,7,9	5-3207X**		
2009	Ram 1500	Crew Cab; Standard Cab; 3.7L; 1-Piece Driveshaft	A	5,9	5-213X*	5-1330-1X* 5-1330X**	
	Ram 1500	Crew Cab; Standard Cab; 4.7L; 5.7L; 1-Piece Driveshaft	A	5,9	5-178X*	5-1350-1X* 5-1350X**	SPL30-1350XC**
	Ram 1500	Crew Cab; Standard Cab; 3.7L; 2-Piece Driveshaft	S	5,7,9	5-178X*	5-1350-1X* 5-1350X**	SPL30-1350XC**
	Ram 1500	Extended Cab; 2-Piece Driveshaft	S	5,7,9	5-3207X**		
2010	Ram 1500	1-Piece Driveshaft	A	5,9	5-178X*	5-1350-1X* 5-1350X**	SPL30-1350XC**
	Ram 1500	2-Piece Driveshaft	S	5,7,9	5-213X*	5-1330-1X* 5-1330X**	

\* GREASEABLE \*\* NON-GREASEABLE

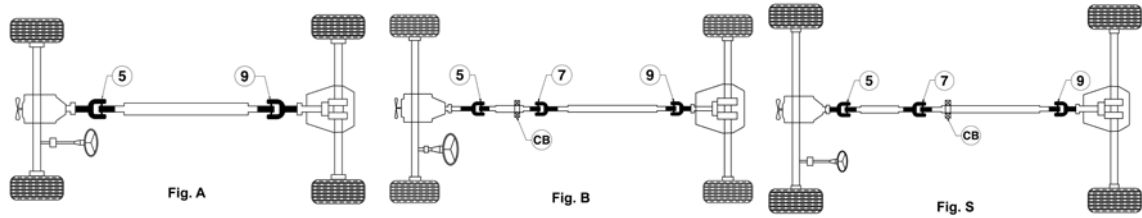
R  
W  
D

**Dodge (Cont'd)**

Year	Model	Description	Fig.	Location	Spicer Part #	SPL (Uncoated) Part #	SPL (Coated) Part #
1999	Ram 1500 Van		A	5	5-213X*	5-1330-1X* 5-1330X**	
	Ram 1500 Van		A	9	5-3227X*	5-7437X**	
2000	Ram 1500 Van	V6 3.9L; Base; 1-Piece Driveshaft	A	5,9	5-213X*	5-1330-1X* 5-1330X**	
	Ram 1500 Van	V8 5.2L; Base; 1-Piece Driveshaft	A	5,9	5-160X*	5-1410-1X* 5-1410X**	
	Ram 1500 Van	V8 5.9L; Base; 1-Piece Driveshaft	A	5,9	5-160X*	5-1410-1X* 5-1410X**	
2001	Ram 1500 Van	V6 3.9L; 1-Piece Driveshaft	A	5,9	5-213X*	5-1330-1X* 5-1330X**	
	Ram 1500 Van	V8 5.2L; 1-Piece Driveshaft	A	5,9	5-160X*	5-1410-1X* 5-1410X**	
	Ram 1500 Van	V8 5.9L; 1-Piece Driveshaft	A	5,9	5-160X*	5-1410-1X* 5-1410X**	
2002-2003	Ram 1500 Van	1-Piece Driveshaft	A	5,9	5-213X*	5-1330-1X* 5-1330X**	
1998-2002	Ram 2500		B	CB	211963-1X		
1999	Ram 2500	Standard Trans; 2-Piece Driveshaft	B	5,7,9	5-160X*	5-1410-1X* 5-1410X**	
2000	Ram 2500	1-Piece Driveshaft; 1.063" Bearing Cup Dia.; 1330 Series	A	5	5-213X*	5-1330-1X* 5-1330X**	
	Ram 2500	1-Piece Driveshaft; 1.188" Bearing Cup Dia.; 1410 Series	A	5	5-160X*	5-1410-1X* 5-1410X**	
	Ram 2500	Standard Trans; 5.9L; Gas; 2-Piece Driveshaft	B	5,7,9	5-160X*	5-1410-1X* 5-1410X**	
2001-2002	Ram 2500	Diesel; 1-Piece Driveshaft	A	5,9	5-213X*	5-1330-1X* 5-1330X**	
	Ram 2500	Gas; 1-Piece Driveshaft	A	5,9	5-160X*	5-1410-1X* 5-1410X**	
	Ram 2500	2-Piece Driveshaft	B	5,7,9	5-160X*	5-1410-1X* 5-1410X**	
2003	Ram 2500	2-Piece Driveshaft; w/ 1410 Series	B	5,7,9	5-160X*	5-1410-1X* 5-1410X**	
2005	Ram 2500	Diesel; 1-Piece Driveshaft	A	5,9	5-160X*	5-1410-1X* 5-1410X**	
	Ram 2500	Gas; Auto Trans; 1-Piece Driveshaft	A	5,9	5-160X*	5-1410-1X* 5-1410X**	
	Ram 2500	Gas; Standard Trans; 1-Piece Driveshaft	A	5,9	5-3206X**		
	Ram 2500	Diesel; Standard Trans; G56; 2 Piece AAM 1485 Series Rear Driveshaft	B	5,7,9	5-3231X**		
	Ram 2500	Diesel; Standard Trans; NV5600; 2-Piece Driveshaft	B	5,7,9	5-3206X**		
	Ram 2500	Gas; Standard Trans; 2-Piece Driveshaft	B	5,7,9	5-3206X**		
	Ram 2500	Diesel; Auto Trans; 2-Piece Driveshaft	B	5,9	5-160X*	5-1410-1X* 5-1410X**	
	Ram 2500	Gas; Auto Trans; 2-Piece Driveshaft	B	5,9	5-160X*	5-1410-1X* 5-1410X**	
	Ram 2500	Auto Trans; 2-Piece Driveshaft	B	7	5-160X*	5-1410-1X* 5-1410X**	
2006	Ram 2500	1-Piece Driveshaft; w/ 1410 Series	A	5,9	5-160X*	5-1410-1X* 5-1410X**	
	Ram 2500	Auto Trans; 2-Piece Driveshaft; w/ 1410 Series	B	5,7,9	5-160X*	5-1410-1X* 5-1410X**	
	Ram 2500	Naturally Aspirated; Standard Trans; 2-Piece Driveshaft; w/ 1410 Series	B	5,7,9	5-160X*	5-1410-1X* 5-1410X**	
	Ram 2500	Turbocharged; Standard Trans; 2-Piece Driveshaft; w/ 1480 Series	B	5,7,9	5-188X*	SPL55-1X* SPL55X**	
2007	Ram 2500	Laramie; SLT; ST; Standard Trans; 6.7L; 1-Piece Driveshaft; w/ AAM 1485 Series	A	5,9	5-3206X**		
	Ram 2500	Exc. Power Wagon; 5.7L; 2-Piece Driveshaft; w/ AAM 1415 Series	S	5,7,9	5-3207X**		
	Ram 2500	Laramie; SLT; ST; Standard Trans; 6.7L; 2-Piece Driveshaft; w/ AAM 1485 Series	S	5,7,9	5-3206X**		

\* GREASEABLE \*\* NON-GREASEABLE

RWD



**Dodge (Cont'd)**

Year	Model	Description	Fig.	Location	Spicer Part #	SPL (Uncoated) Part #	SPL (Coated) Part #
2007-2008	Ram 2500	Laramie; SLT; ST; Auto Trans; 6.7L; 1-Piece Driveshaft; w/ AAM 1415 Series	A	5,9	5-3207X**		
	Ram 2500	Laramie; SLT; ST; Auto Trans; 6.7L; 2-Piece Driveshaft; w/ Spicer Driveshaft	S	5,7,9	5-160X*	5-1410-1X* 5-1410X**	
2008	Ram 2500	Laramie; SLT; ST; SXT; Standard Trans; 6.7L; 1-Piece Driveshaft; w/ AAM 1485 Series	A	5,9	5-3206X**		
	Ram 2500	SXT; Auto Trans; 6.7L; 1-Piece Driveshaft; w/ Spicer Driveshaft	A	5,9	5-188X*	SPL55-1X* SPL55X**	
	Ram 2500	Laramie; SLT; ST; SXT; 5.7L; 2-Piece Driveshaft; w/ AAM 1415 Series	S	5,7,9	5-3207X**		
	Ram 2500	Laramie; SLT; ST; SXT; Standard Trans; 6.7L; 2-Piece Driveshaft; w/ AAM 1485 Series	S	5,7,9	5-3206X**		
	Ram 2500	SXT; Auto Trans; 6.7L; 2-Piece Driveshaft; w/ Spicer Driveshaft	S	5,7,9	5-188X*	SPL55-1X* SPL55X**	
2009	Ram 2500	Laramie; SLT; ST; Auto Trans; 5.7L; 6.7L; 1-Piece Driveshaft; w/ AAM 1415 Series	A	5,9	5-3207X**		
	Ram 2500	Laramie; SLT; ST; SXT; Standard Trans; 5.7L; 6.7L; 1-Piece Driveshaft; w/ AAM 1485 Series	A	5,9	5-3206X**		
	Ram 2500	SXT; Auto Trans; 5.7L; 6.7L; 1-Piece Driveshaft; w/ Spicer Driveshaft	A	5,9	5-188X*	SPL55-1X* SPL55X**	
	Ram 2500	Laramie; SLT; ST; Auto Trans; 5.7L; 6.7L; 2-Piece Driveshaft; w/ Spicer Driveshaft	S	5,7,9	5-160X*	5-1410-1X* 5-1410X**	
	Ram 2500	Laramie; SLT; ST; SXT; Standard Trans; 5.7L; 6.7L; 2-Piece Driveshaft; w/ AAM 1485 Series	S	5,7,9	5-3206X**		
	Ram 2500	SXT; Auto Trans; 5.7L; 6.7L; 2-Piece Driveshaft; w/ Spicer Driveshaft	S	5,7,9	5-188X*	SPL55-1X* SPL55X**	
2010	Ram 2500	Laramie; SLT; ST; Auto Trans; 1-Piece Driveshaft	A	5,9	5-3207X**		
	Ram 2500	Laramie; SLT; ST; Standard Trans; 1-Piece Driveshaft	A	5,9	5-188X*	SPL55-1X* SPL55X**	
	Ram 2500	SXT; 1-Piece Driveshaft	A	5,9	5-188X*	SPL55-1X* SPL55X**	
	Ram 2500	Laramie; SLT; ST; Auto Trans; 2-Piece Driveshaft	S	5,7,9	5-160X*	5-1410-1X* 5-1410X**	
	Ram 2500	Laramie; SLT; ST; Standard Trans; 2-Piece Driveshaft	S	5,7,9	5-188X*	SPL55-1X* SPL55X**	
	Ram 2500	SXT; 2-Piece Driveshaft	S	5,7,9	5-188X*	SPL55-1X* SPL55X**	
1999	Ram 2500 Van	1-Piece Driveshaft; 1.188" Bearing Cup Dia.; w/ Outside Snap Ring; 1440 Series	A	5	5-160X*	5-1410-1X* 5-1410X**	
	Ram 2500 Van	1-Piece Driveshaft; 1.063 x 1.126" Bearing Cup Dia.; 1330 X 7290 Outside/Inside Snap Ring	A	5,9	5-3227X*	5-7437X**	
	Ram 2500 Van	1-Piece Driveshaft; 1.063" Bearing Cup Dia.; Outside Snap Ring	A	5,9	5-213X*	5-1330-1X* 5-1330X**	
	Ram 2500 Van	1-Piece Driveshaft; 1.126" Bearing Cup Dia.; w/ Inside Snap Ring; 7290 Series	A	5,9	5-1309X*	5-811X**	
	Ram 2500 Van	1-Piece Driveshaft; 1.188" Bearing Cup Dia.; 1410 Series	A	9	5-160X*		
	Ram 2500 Van	1-Piece Driveshaft; 1.188" Bearing Cup Dia.; w/ Outside Snap Ring; 1440 Series	A	9		5-1410-1X* 5-1410X**	

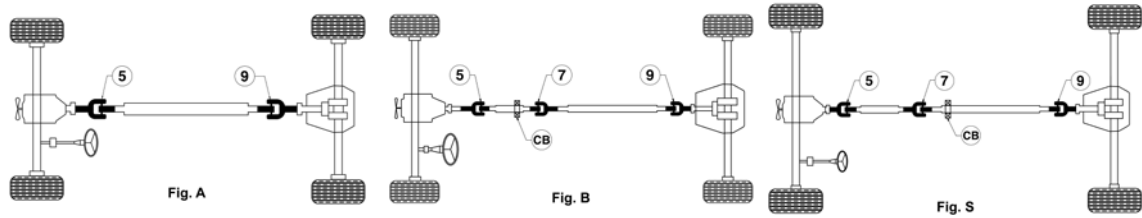
\* GREASEABLE \*\* NON-GREASEABLE

RWD

**Dodge (Cont'd)**

Year	Model	Description	Fig.	Location	Spicer Part #	SPL (Uncoated) Part #	SPL (Coated) Part #
1999	Ram 2500 Van	2-Piece Driveshaft; 1.063 x 1.126" Bearing Cup Dia.; 1330 X 7290 Outside/Inside Snap Ring	B	5,7	5-3227X*	5-7437X**	
	Ram 2500 Van	2-Piece Driveshaft; 1.063" Bearing Cup Dia.; Outside Snap Ring	B	5,7,9	5-213X*	5-1330-1X* 5-1330X**	
2000	Ram 2500 Van	V8 5.2L; Base; 1-Piece Driveshaft	A	5,9	5-160X*	5-1410-1X* 5-1410X**	
	Ram 2500 Van	V8 5.9L; Base; 1-Piece Driveshaft	A	5,9	5-160X*	5-1410-1X* 5-1410X**	
2001	Ram 2500 Van	V6 3.9L; 1-Piece Driveshaft	A	5,9	5-213X*	5-1330-1X* 5-1330X**	
	Ram 2500 Van	V8 5.2L; 1-Piece Driveshaft	A	5,9	5-160X*	5-1410-1X* 5-1410X**	
	Ram 2500 Van	V8 5.9L; 1-Piece Driveshaft	A	5,9	5-160X*	5-1410-1X* 5-1410X**	
2002-2003	Ram 2500 Van	1-Piece Driveshaft	A	5,9	5-213X*	5-1330-1X* 5-1330X**	
1994-1996	Ram 3500	Diesel; 1-Piece Driveshaft	A	5,9	5-160X*	5-1410-1X* 5-1410X**	
	Ram 3500	Gas; 1-Piece Driveshaft	A	5,9	5-1309X*	5-811X**	
	Ram 3500	Diesel; 2-Piece Driveshaft	B	5,7,9	5-160X*	5-1410-1X* 5-1410X**	
	Ram 3500	Gas; 2-Piece Driveshaft	B	5,7,9	5-1309X*	5-811X**	
1997	Ram 3500	2-Piece Driveshaft; 1.125" Bearing Cup Dia.	B	5,7,9	5-1309X*	5-811X**	
	Ram 3500	2-Piece Driveshaft; 1.188" Bearing Cup Dia.	B	5,7,9	5-160X*	5-1410-1X* 5-1410X**	
1998	Ram 3500	Auto Trans; 1-Piece Driveshaft; 1.062" Bearing Cup Dia.	A	5	5-213X*	5-1330-1X* 5-1330X**	
	Ram 3500	Auto Trans; 1-Piece Driveshaft; 1.888" Bearing Cup Dia.	A	5,9	5-160X*	5-1410-1X* 5-1410X**	
	Ram 3500	Auto Trans; 2-Piece Driveshaft	A	9	5-3227X*	5-7437X**	
1998-1999	Ram 3500	Standard Trans; 2-Piece Driveshaft; 1410 Series	B	5,7,9	5-160X*	5-1410-1X* 5-1410X**	
1998-2002	Ram 3500		B	CB	211963-1X		
1999	Ram 3500	1-Piece Driveshaft; w/ Outside Snap Rings; 1.888" Bearing Cup Dia.; w/ 1350 Series	A	5	5-178X*	5-1350-1X* 5-1350X**	SPL30-1350XC**
	Ram 3500	Auto Trans; 1-Piece Driveshaft; w/ Outside Snap Rings; 1.062" Bearing Cup Dia.	A	5	5-213X*	5-1330-1X* 5-1330X**	
	Ram 3500	Auto Trans; 1-Piece Driveshaft; w/ Outside Snap Rings; 1.888" Bearing Cup Dia.; w/ 1410 Series	A	5	5-160X*	5-1410-1X* 5-1410X**	
	Ram 3500	1-Piece Driveshaft; w/ Inside Snap Rings	A	9	5-1309X*	5-811X**	
	Ram 3500	Auto Trans; 1-Piece Driveshaft; w/ Inside & Outside Snap Rings	A	9	5-3227X*	5-7437X**	
	Ram 3500	Auto Trans; 1-Piece Driveshaft; w/ Outside Snap Rings	A	9	5-160X*	5-1410-1X* 5-1410X**	
2000-2002	Ram 3500	1-Piece Driveshaft	A	5,9	5-160X*	5-1410-1X* 5-1410X**	
	Ram 3500	2-Piece Driveshaft	B	5,7,9	5-160X*	5-1410-1X* 5-1410X**	
2003	Ram 3500	1-Piece Driveshaft; w/ AAM 1415 Series	A	5,9	5-3207X**		
	Ram 3500	1-Piece Driveshaft; w/ Spicer 1410 Series	A	5,9	5-160X*	5-1410-1X*	
	Ram 3500	2-Piece Driveshaft; w/ Spicer 1410 Series	A	5,9		5-1410X**	
	Ram 3500	4-Speed; 5-Speed; 2-Piece Driveshaft; w/ Spicer 1410 Series	B	5,7,9	5-160X*	5-1410-1X* 5-1410X**	
2004-2005	Ram 3500	Crew Cab; Standard Cab; 75.9" Bed; Auto Trans; 1 Piece AMM 1415 Series Rear Driveshaft	A	5,9	5-3207X**		
	Ram 3500	Gas; 2 Piece AAM 1415 Series Rear Driveshaft	B	5,7,9	5-3207X**		
2004-2006	Ram 3500	Diesel; Standard Trans; 2 Piece AAM 1485 Series Rear Driveshaft	B	5,7,9	5-3206X**		
2006	Ram 3500	Diesel; Auto Trans; 1-Piece Driveshaft; w/ 1410 Series	A	5,9	5-160X*	5-1410-1X* 5-1410X**	

\* GREASEABLE \*\* NON-GREASEABLE



**Dodge (Cont'd)**

Year	Model	Description	Fig.	Location	Spicer Part #	SPL (Uncoated) Part #	SPL (Coated) Part #
2006	Ram 3500	Gas; 1-Piece Driveshaft; w/ 1410 Series	A	5,9	5-160X*	5-1410-1X* 5-1410X**	
	Ram 3500	Gas; Standard Trans; 2 Piece AAM 1415 Series Rear Driveshaft	B	5,7,9	5-3207X**		
2007	Ram 3500	Crew Cab; Standard Cab; 1-Piece Driveshaft; 1.188" Bearing Cup Dia.	A	5,9	5-160X*	5-1410-1X* 5-1410X**	
	Ram 3500	Crew Cab; Standard Cab; 1-Piece Driveshaft; 1.375" Bearing Cup Dia.	A	5,9	5-188X*	SPL55-1X* SPL55X**	
	Ram 3500	Crew Cab; Standard Cab; 1-Piece Driveshaft; w/ AAM 1415 Series	A	5,9	5-3207X**		
	Ram 3500	Cab & Chassis; 2-Piece Driveshaft; w/ AAM 1555 Series	S	5,7,9	5-3230X**		
	Ram 3500	Crew Cab; Extended Crew Cab; Standard Cab; 2-Piece Driveshaft; 1.188" Bearing Cup Dia.	S	5,7,9	5-160X*	5-1410-1X* 5-1410X**	
	Ram 3500	Crew Cab; Extended Crew Cab; Standard Cab; 2-Piece Driveshaft; 1.375" Bearing Cup Dia.	S	5,7,9	5-188X*	SPL55-1X* SPL55X**	
	Ram 3500	Crew Cab; Extended Crew Cab; Standard Cab; 2-Piece Driveshaft; w/ AAM 1415 Series	S	5,7,9	5-3207X**		
2008	Ram 3500	Crew Cab; Extended Crew Cab; Standard Cab; Diesel; 1-Piece Driveshaft; 1.188" Bearing Cup Dia.	A	5,9	5-160X*	5-1410-1X* 5-1410X**	
	Ram 3500	Crew Cab; Extended Crew Cab; Standard Cab; Diesel; 1-Piece Driveshaft; 1.375" Bearing Cup Dia.	A	5,9	5-188X*	SPL55-1X* SPL55X**	
	Ram 3500	Crew Cab; Extended Crew Cab; Standard Cab; Gas; 1-Piece Driveshaft; w/ AAM 1415 Series	A	5,9	5-3207X**		
	Ram 3500	Cab & Chassis; Auto Trans; Diesel; 2-Piece Driveshaft; w/ AAM 1555 Series	S	5,7,9	5-3230X**		
	Ram 3500	Cab & Chassis; Standard Trans; Diesel; 2-Piece Driveshaft; w/ AAM 1555 Series	S	5,7,9	5-3230X**		
	Ram 3500	Crew Cab; Extended Crew Cab; Standard Cab; Diesel; 2-Piece Driveshaft; 1.188" Bearing Cup Dia.	S	5,7,9	5-160X*	5-1410-1X* 5-1410X**	
	Ram 3500	Crew Cab; Extended Crew Cab; Standard Cab; Diesel; 2-Piece Driveshaft; 1.375" Bearing Cup Dia.	S	5,7,9	5-188X*	SPL55-1X* SPL55X**	
	Ram 3500	Crew Cab; Extended Crew Cab; Standard Cab; Gas; 2-Piece Driveshaft; w/ AAM 1415 Series	S	5,7,9	5-3207X**		
2009	Ram 3500	Laramie; Extended Crew Cab; 2-Piece Driveshaft; w/ Spicer Driveshaft	S	5,7,9	5-160X*	5-1410-1X* 5-1410X**	
	Ram 3500	Laramie; SLT; ST; Cab & Chassis; 5.7L; 2-Piece Driveshaft; w/ Spicer Driveshaft	S	5,7,9	5-188X*	SPL55-1X* SPL55X**	
	Ram 3500	Laramie; SLT; ST; SXT; Crew Cab; 2-Piece Driveshaft; w/ AAM 1485 Series	S	5,7,9	5-3206X**		
	Ram 3500	SLT; SXT; Extended Crew Cab; Standard Cab; 2-Piece Driveshaft; w/ Spicer Driveshaft	S	5,7,9	5-160X*	5-1410-1X* 5-1410X**	
	Ram 3500	ST; Standard Cab; 2-Piece Driveshaft; w/ Spicer Driveshaft	S	5,7,9	5-160X*	5-1410-1X* 5-1410X**	

\* GREASEABLE \*\* NON-GREASEABLE

R  
W  
D

**Dodge (Cont'd)**

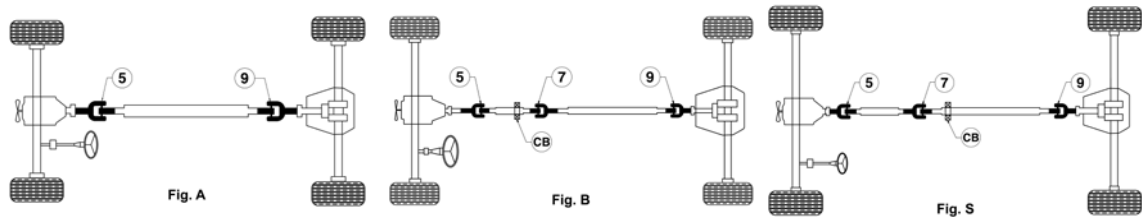
Year	Model	Description	Fig.	Location	Spicer Part #	SPL (Uncoated) Part #	SPL (Coated) Part #
2009-2010	Ram 3500	Laramie; SLT; ST; SXT; 1-Piece Driveshaft; 1.188" Bearing Cup Dia.	A	5,9	5-160X*	5-1410-1X* 5-1410X**	
	Ram 3500	Laramie; SLT; ST; SXT; 1-Piece Driveshaft; 1.375" Bearing Cup Dia.	A	5,9	5-188X*	SPL55-1X* SPL55X**	
2010	Ram 3500	Crew Cab; 2-Piece Driveshaft; w/ AAM 1485 Series	S	5,7,9	5-3206X**		
	Ram 3500	Extended Crew Cab; Standard Cab; 2-Piece Driveshaft; w/ Spicer Driveshaft	S	5,7,9	5-160X*	5-1410-1X* 5-1410X**	
1999	Ram 3500 Van	1-Piece Driveshaft; w/ Outside Snap Rings; 1.062" Bearing Cup Dia.	A	5	5-213X*	5-1330-1X* 5-1330X**	
	Ram 3500 Van	1-Piece Driveshaft; w/ Inside Snap Rings	A	5,9	5-1309X*	5-811X**	
	Ram 3500 Van	1-Piece Driveshaft; w/ Outside Snap Rings; 1.188" Bearing Cup Dia.	A	5,9	5-160X*	5-1410-1X* 5-1410X**	
	Ram 3500 Van	1-Piece Driveshaft; w/ Inside & Outside Snap Rings	A	9	5-3227X*	5-7437X**	
	Ram 3500 Van	2-Piece Driveshaft	B	5	5-3227X*	5-7437X**	
	Ram 3500 Van	2-Piece Driveshaft	B	7,9	5-213X*	5-1330-1X* 5-1330X**	
2000	Ram 3500 Van	Base; 1-Piece Driveshaft	A	5,9	5-160X*	5-1410-1X* 5-1410X**	
2001	Ram 3500 Van	1-Piece Driveshaft	A	5,9	5-160X*	5-1410-1X* 5-1410X**	
2002-2003	Ram 3500 Van	1-Piece Driveshaft	A	5,9	5-213X*	5-1330-1X* 5-1330X**	
2008-2010	Ram 4500	Exc. Base; 1-Piece Driveshaft	A	5,9	5-3230X**		
	Ram 4500	Exc. Base; 2-Piece Driveshaft	S	5,7,9	5-3206X**		
1983-1985	Ram 50	2.3L; 2.6L	B	5,7,9	5-3217X*		
1983-1986	Ram 50	2.0L	B	5,7,9	5-1503X*		
1986	Ram 50	2.6L	B	5,7,9	5-3217X*		
1987-1988	Ram 50	2-Piece Driveshaft	B	5,7,9	5-3217X*		
1987-1989	Ram 50	2.0L; 1-Piece Driveshaft	A	5,9	5-1503X*		
	Ram 50	2.6L; 1-Piece Driveshaft	A	5,9	5-3217X*		
	Ram 50	2-Piece Driveshaft	B	5,9	5-3217X*		
1989	Ram 50	Auto Trans; 2-Piece Driveshaft	B	7	5-1503X*		
	Ram 50	Standard Trans; 2-Piece Driveshaft	B	7	5-3217X*		
	Ram 50	Auto Trans; 72.0" Bed; 1-Piece Driveshaft	A	5,9	5-1503X*		
1990-1993	Ram 50	Standard Trans; 72.0" Bed; 1-Piece Driveshaft	A	5,9	5-3217X*		
	Ram 50	Auto Trans; 84.0" Bed; 2-Piece Driveshaft	B	5,7,9	5-1503X*		
	Ram 50	Standard Trans; 84.0" Bed; 2-Piece Driveshaft	B	5,7,9	5-3217X*		
	Ram 50	Auto Trans; 84.0" Bed; 2-Piece Driveshaft	B	5,7,9	5-1503X*		
2008-2010	Ram 5500	Exc. Base; 1-Piece Driveshaft	A	5,9	5-3230X**		
	Ram 5500	Exc. Base; 2-Piece Driveshaft	S	5,7,9	5-3206X**		
1974-1981	Ramcharger	w/ 2.125" Snap Ring	A	5,9	5-3228X*	5-789X**	
	Ramcharger	w/ 2.625" Snap Ring	A	5,9	5-1309X*	5-811X**	
1982-1993	Ramcharger		A	5,9	5-3228X*	5-789X**	
1978-1980	RD200		B	5,7,9	5-3228X*	5-789X**	

**Ford**

Year	Model	Description	Fig.	Location	Spicer Part #	SPL (Uncoated) Part #	SPL (Coated) Part #
1988	Aerostar	Before 9/87	A	5	5-153X*	5-1310-1X* 5-1310X**	
	Aerostar	Auto; Before 9/87	A	9	5-153X*	5-1310-1X* 5-1310X**	
	Aerostar	Standard; Before 9/87	A	9		5-7439X**	
1989	Aerostar		A	5	5-153X*	5-1310-1X* 5-1310X**	
	Aerostar		A	9		5-7439X**	
1990-1995	Aerostar		A	5,9	5-153X*	5-1310-1X* 5-1310X**	

\* GREASEABLE \*\* NON-GREASEABLE





**Ford (Cont'd)**

Year	Model	Description	Fig.	Location	Spicer Part #	SPL (Uncoated) Part #	SPL (Coated) Part #
1996	Aerostar	Steel Driveshaft	A	5,9	5-213X*	5-1330-1X* 5-1330X**	
1997	Aerostar	Steel Driveshaft; 3.500" O.D. Yoke	A	5,9	5-153X*	5-1310-1X* 5-1310X**	
	Aerostar	Steel Driveshaft; 3.875" O.D. Yoke	A	5,9	5-213X*	5-1330-1X* 5-1330X**	
1966	Bronco	2.8L; Bearing I.D. 1.378"	B	CB	211175X		
	Bronco	4.7L; Bearing I.D. 1.378"	B	CB	211175X		
1973	Bronco	3.3L; Bearing I.D. 1.378"	B	CB	211175X		
	Bronco	5.0L; Bearing I.D. 1.378"	B	CB	211175X		
1974-1995	Bronco	Bearing I.D. 1.378"	B	CB	211175X		
1972-1982	Courier	1-Piece Driveshaft	A	5,9	5-3216X*		
	Courier	2-Piece Driveshaft	B	5,7,9	5-3216X*		
1969-1974	E-100 Econoline	1-Piece Driveshaft	A	5,9	5-153X*	5-1310-1X* 5-1310X**	
	E-100 Econoline	2-Piece Driveshaft	B	5,7,9	5-153X*	5-1310-1X* 5-1310X**	
1969-1983	E-100 Econoline	Bearing I.D. 1.378"	B	CB	211175X		
1973-1983	E-100 Econoline	Bearing I.D. 1.574"	B	CB	211359X		
1975	E-100 Econoline	4.9L; 5.0L; 2-Piece Driveshaft	B	5,7	5-153X*	5-1310-1X* 5-1310X**	
1975-1978	E-100 Econoline	1-Piece Driveshaft	A	5	5-153X*	5-1310-1X* 5-1310X**	
	E-100 Econoline	124.0" WB; 1-Piece Driveshaft	A	9		5-7439X**	
	E-100 Econoline	138.0" WB; 1-Piece Driveshaft	A	9	5-153X*	5-1310-1X* 5-1310X**	
	E-100 Econoline	5.8L; Auto Trans; 2-Piece Driveshaft	B	5,7	5-213X*	5-1330-1X* 5-1330X**	
	E-100 Econoline	5.8L; Standard Trans; 2-Piece Driveshaft	B	5,7	5-153X*	5-1310-1X* 5-1310X**	
	E-100 Econoline	2-Piece Driveshaft	B	9	5-153X*	5-1310-1X* 5-1310X**	
1976-1977	E-100 Econoline	4.9L; 2-Piece Driveshaft	B	5,7	5-153X*	5-1310-1X* 5-1310X**	
1978	E-100 Econoline	4.9L; 7.5L; 2-Piece Driveshaft	B	5,7	5-153X*	5-1310-1X* 5-1310X**	
1979-1983	E-100 Econoline	1-Piece Driveshaft	A	5	5-213X*	5-1330-1X* 5-1330X**	
	E-100 Econoline	1-Piece Driveshaft	A	9	5-1204X*	5-7438X**	
	E-100 Econoline	2-Piece Driveshaft	B	5,7	5-213X*	5-1330-1X* 5-1330X**	
	E-100 Econoline	2-Piece Driveshaft	B	9	5-1204X*	5-7438X**	
1975-1978	E-100 Econoline Club Wagon	1-Piece Driveshaft	A	5	5-153X*	5-1310-1X* 5-1310X**	
	E-100 Econoline Club Wagon	124.0" WB; 1-Piece Driveshaft	A	9		5-7439X**	
	E-100 Econoline Club Wagon	138.0" WB; 1-Piece Driveshaft	A	9	5-153X*	5-1310-1X* 5-1310X**	
	E-100 Econoline Club Wagon	4.9L; 2-Piece Driveshaft	B	5,7	5-153X*	5-1310-1X* 5-1310X**	
	E-100 Econoline Club Wagon	5.8L; Auto Trans; 2-Piece Driveshaft	B	5,7	5-213X*	5-1330-1X* 5-1330X**	

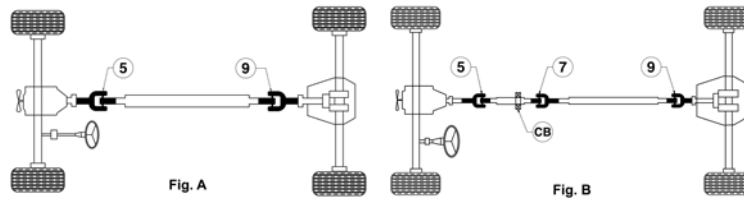
\* GREASEABLE \*\* NON-GREASEABLE

R  
W  
D

**Ford (Cont'd)**

Year	Model	Description	Fig.	Location	Spicer Part #	SPL (Uncoated) Part #	SPL (Coated) Part #
1975-1978	E-100 Econoline Club Wagon	5.8L; Standard Trans; 2-Piece Driveshaft	B	5,7	5-153X*	5-1310-1X* 5-1310X**	
	E-100 Econoline Club Wagon	2-Piece Driveshaft	B	9	5-153X*	5-1310-1X* 5-1310X**	
1975-1983	E-100 Econoline Club Wagon	Bearing I.D. 1.378"	B	CB	211175X		
	E-100 Econoline Club Wagon	Bearing I.D. 1.574"	B	CB	211359X		
1979-1983	E-100 Econoline Club Wagon	1-Piece Driveshaft	A	5	5-213X*	5-1330-1X* 5-1330X**	
	E-100 Econoline Club Wagon	1-Piece Driveshaft	A	9	5-1204X*	5-7438X**	
	E-100 Econoline Club Wagon	2-Piece Driveshaft	B	5,7	5-213X*	5-1330-1X* 5-1330X**	
	E-100 Econoline Club Wagon	2-Piece Driveshaft	B	9	5-1204X*	5-7438X**	
2003-2014	E-150		A	5,9	5-178X*	5-1350-1X* 5-1350X**	SPL30-1350XC**
2003-2005	E-150 Club Wagon		A	5,9	5-178X*	5-1350-1X* 5-1350X**	SPL30-1350XC**
1975	E-150 Econoline	4.9L; 5.0L; 2-Piece Driveshaft	B	5,7	5-153X*	5-1310-1X* 5-1310X**	
1975-1978	E-150 Econoline	1-Piece Driveshaft	A	5	5-153X*	5-1310-1X* 5-1310X**	
	E-150 Econoline	124.0" WB; 1-Piece Driveshaft	A	9		5-7439X**	
	E-150 Econoline	138.0" WB; 1-Piece Driveshaft	A	9	5-153X*	5-1310-1X* 5-1310X**	
	E-150 Econoline	5.8L; Auto Trans; 2-Piece Driveshaft	B	5,7	5-213X*	5-1330-1X* 5-1330X**	
	E-150 Econoline	5.8L; Standard Trans; 2-Piece Driveshaft	B	5,7	5-153X*	5-1310-1X* 5-1310X**	
	E-150 Econoline	2-Piece Driveshaft	B	9	5-153X*	5-1310-1X* 5-1310X**	
1975-1983	E-150 Econoline	Bearing I.D. 1.574"	B	CB	211359X		
1975-1995	E-150 Econoline	Bearing I.D. 1.378"	B	CB	211175X		
1976-1978	E-150 Econoline	4.9L; 2-Piece Driveshaft	B	5,7	5-153X*	5-1310-1X* 5-1310X**	
1979-1986	E-150 Econoline	1-Piece Driveshaft	A	9	5-1204X*	5-7438X**	
1979-1988	E-150 Econoline	2-Piece Driveshaft	B	5,7	5-213X*	5-1330-1X* 5-1330X**	
	E-150 Econoline	2-Piece Driveshaft	B	9	5-1204X*	5-7438X**	
1987	E-150 Econoline	1-Piece Driveshaft	A	5,9	5-213X*	5-1330-1X* 5-1330X**	
1988	E-150 Econoline	1-Piece Driveshaft	A	5	5-213X*	5-1330-1X* 5-1330X**	
	E-150 Econoline	1-Piece Driveshaft; w/ U-Bolts	A	9	5-1204X*	5-7438X**	
	E-150 Econoline	1-Piece Driveshaft; w/out U-Bolts	A	9	5-213X*	5-1330-1X* 5-1330X**	
1989-1996	E-150 Econoline		A	5,9	5-213X*	5-1330-1X* 5-1330X**	
1997-1999	E-150 Econoline	w/ Aluminum Driveshaft	A	5,9		5-3615X**	
	E-150 Econoline	w/ Steel Driveshaft	A	5,9	5-178X*	5-1350-1X* 5-1350X**	SPL30-1350XC**
2000-2002	E-150 Econoline		A	5,9	5-178X*	5-1350-1X* 5-1350X**	SPL30-1350XC**
1975-1978	E-150 Econoline Club Wagon	1-Piece Driveshaft	A	5	5-153X*	5-1310-1X* 5-1310X**	
	E-150 Econoline Club Wagon	124.0" WB; 1-Piece Driveshaft	A	9		5-7439X**	
	E-150 Econoline Club Wagon	138.0" WB; 1-Piece Driveshaft	A	9	5-153X*	5-1310-1X* 5-1310X**	
	E-150 Econoline Club Wagon	4.9L; 2-Piece Driveshaft	B	5,7	5-153X*	5-1310-1X* 5-1310X**	

\* GREASEABLE \*\* NON-GREASEABLE



**Ford (Cont'd)**

Year	Model	Description	Fig.	Location	Spicer Part #	SPL (Uncoated) Part #	SPL (Coated) Part #
1975-1978	E-150 Econoline Club Wagon	5.8L; Auto Trans; 2-Piece Driveshaft	B	5,7	5-213X*	5-1330-1X* 5-1330X**	
	E-150 Econoline Club Wagon	5.8L; Standard Trans; 2-Piece Driveshaft	B	5,7	5-153X*	5-1310-1X* 5-1310X**	
	E-150 Econoline Club Wagon	2-Piece Driveshaft	B	9	5-153X*	5-1310-1X* 5-1310X**	
1975-1983	E-150 Econoline Club Wagon	Bearing I.D. 1.574"	B	CB	211359X		
1975-1995	E-150 Econoline Club Wagon	Bearing I.D. 1.378"	B	CB	211175X		
1979-1987	E-150 Econoline Club Wagon	1-Piece Driveshaft	A	5,9	5-213X*	5-1330-1X* 5-1330X**	
1979-1988	E-150 Econoline Club Wagon	2-Piece Driveshaft	B	5,7	5-213X*	5-1330-1X* 5-1330X**	
	E-150 Econoline Club Wagon	2-Piece Driveshaft	B	9	5-1204X*	5-7438X**	
1988	E-150 Econoline Club Wagon	1-Piece Driveshaft	A	5	5-213X*	5-1330-1X* 5-1330X**	
	E-150 Econoline Club Wagon	1-Piece Driveshaft; w/ U-Bolts	A	9	5-1204X*	5-7438X**	
	E-150 Econoline Club Wagon	1-Piece Driveshaft; w/out U-Bolts	A	9	5-213X*	5-1330-1X* 5-1330X**	
1989-1996	E-150 Econoline Club Wagon		A	5,9	5-213X*	5-1330-1X* 5-1330X**	
1997-1999	E-150 Econoline Club Wagon	w/ Aluminum Driveshaft	A	5,9		5-3615X**	
	E-150 Econoline Club Wagon	w/ Steel Driveshaft	A	5,9	5-178X*	5-1350-1X* 5-1350X**	SPL30-1350XC**
2000-2002	E-150 Econoline Club Wagon		A	5,9	5-178X*	5-1350-1X* 5-1350X**	SPL30-1350XC**
	E-150 Econoline Club Wagon	1-Piece Driveshaft	A	5,9	5-178X*	5-1350-1X* 5-1350X**	SPL30-1350XC**
1969-1974	E-200 Econoline	1-Piece Driveshaft	A	5,9	5-153X*	5-1310-1X* 5-1310X**	
	E-200 Econoline	2-Piece Driveshaft	B	5,7,9	5-153X*	5-1310-1X* 5-1310X**	
2003-2007	E-250	Bearing I.D. 1.574"	B	CB	211359X		
2003-2014	E-250		A	5,9	5-178X*	5-1350-1X* 5-1350X**	SPL30-1350XC**
1975-1978	E-250 Econoline	1-Piece Driveshaft	A	5,9	5-213X*	5-1330-1X* 5-1330X**	
	E-250 Econoline	2-Piece Driveshaft	B	5,7,9	5-213X*	5-1330-1X* 5-1330X**	
1979	E-250 Econoline	2-Piece Driveshaft; 1.062" Bearing Cup Dia.	B	5,7	5-213X*	5-1330-1X* 5-1330X**	
	E-250 Econoline	2-Piece Driveshaft; 1.188" Bearing Cup Dia.	B	5,7,9	5-178X*	5-1350-1X* 5-1350X**	SPL30-1350XC**
	E-250 Econoline	2-Piece Driveshaft; 1.062" Bearing Cup Dia.	B	9	5-1204X*	5-7438X**	
1979-1986	E-250 Econoline	1-Piece Driveshaft	A	9	5-1204X*	5-7438X**	
1980-1986	E-250 Econoline	2-Piece Driveshaft	B	9	5-1204X*	5-7438X**	
1984	E-250 Econoline	Auto Trans; 2-Piece Driveshaft	B	5	5-213X*	5-1330-1X* 5-1330X**	
	E-250 Econoline	Standard Trans; 2-Piece Driveshaft	B	5	5-1204X*	5-7438X**	

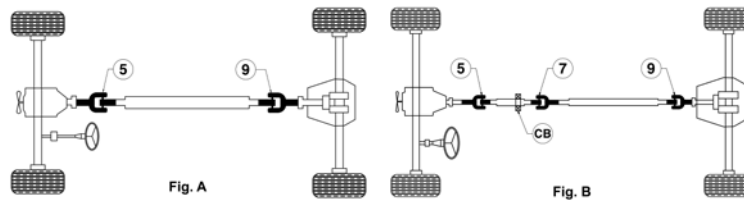
\* GREASEABLE \*\* NON-GREASEABLE

R  
W  
D

**Ford (Cont'd)**

Year	Model	Description	Fig.	Location	Spicer Part #	SPL (Uncoated) Part #	SPL (Coated) Part #
1984	E-250 Econoline	2-Piece Driveshaft	B	7	5-213X*	5-1330-1X* 5-1330X**	
1985-1986	E-250 Econoline	2-Piece Driveshaft	B	5,7	5-213X*	5-1330-1X* 5-1330X**	
1987-1988	E-250 Econoline		A	9	5-1204X*	5-7438X**	
1989	E-250 Econoline	w/ U-Bolts	A	9	5-213X*	5-1330-1X* 5-1330X**	
	E-250 Econoline	w/o U-Bolts	A	9	5-1204X*	5-7438X**	
1990	E-250 Econoline	4.9L; 3-Speed; 1-Piece Driveshaft; w/ 3.73 Rear Axle	A	9	5-1204X*	5-7438X**	
	E-250 Econoline	4.9L; 3-Speed; 1-Piece Driveshaft; w/ 4.10 Rear Axle	A	9	5-213X*	5-1330-1X* 5-1330X**	
	E-250 Econoline	4.9L; 4-Speed; 1-Piece Driveshaft	A	9	5-1204X*	5-7438X**	
	E-250 Econoline	5.0L; 1-Piece Driveshaft	A	9	5-1204X*	5-7438X**	
	E-250 Econoline	5.8L; 3-Speed; 1-Piece Driveshaft; w/ 3.54 Rear Axle	A	9	5-1204X*	5-7438X**	
	E-250 Econoline	5.8L; 4-Speed; 1-Piece Driveshaft; w/ 4.10 Rear Axle	A	9	5-1204X*	5-7438X**	
1990-1991	E-250 Econoline	1-Piece Driveshaft	A	5	5-213X*	5-1330-1X* 5-1330X**	
	E-250 Econoline	5.8L; 3-Speed; 1-Piece Driveshaft; w/ 4.10 Rear Axle	A	9	5-213X*	5-1330-1X* 5-1330X**	
	E-250 Econoline	5.8L; 4-Speed; 2-Piece Driveshaft; w/ 4.10 Rear Axle	B	5,7	5-213X*	5-1330-1X* 5-1330X**	
	E-250 Econoline	5.8L; 4-Speed; 2-Piece Driveshaft; w/ 4.10 Rear Axle	B	9	5-1204X*	5-7438X**	
1991	E-250 Econoline	4.9L; 5.0L; 1-Piece Driveshaft	A	9	5-1204X*	5-7438X**	
	E-250 Econoline	5.8L; 3-Speed; 4-Speed; 1-Piece Driveshaft; w/ 3.54 Rear Axle	A	9	5-1204X*	5-7438X**	
1992-1996	E-250 Econoline		A	5	5-213X*	5-1330-1X* 5-1330X**	
	E-250 Econoline	w/ U-Bolts	A	9	5-1204X*	5-7438X**	
	E-250 Econoline	w/o U-Bolts	A	9	5-213X*	5-1330-1X* 5-1330X**	
1997-2002	E-250 Econoline		A	5,9	5-178X*	5-1350-1X* 5-1350X**	SPL30-1350XC**
1999-2000	E-250 Econoline	Bearing I.D. 1.378"	B	CB	211175X		
1999-2002	E-250 Econoline	Bearing I.D. 1.574"	B	CB	211359X		
1975-1978	E-250 Econoline Club Wagon	1-Piece Driveshaft	A	5,9	5-213X*	5-1330-1X* 5-1330X**	
	E-250 Econoline Club Wagon	2-Piece Driveshaft	B	5,7,9	5-213X*	5-1330-1X* 5-1330X**	
1975-1991	E-250 Econoline Club Wagon	Bearing I.D. 1.574"	B	CB	211359X		
1979	E-250 Econoline Club Wagon	2-Piece Driveshaft; 1.062" Bearing Cup Dia.	B	5,7	5-213X*	5-1330-1X* 5-1330X**	
	E-250 Econoline Club Wagon	2-Piece Driveshaft; 1.188" Bearing Cup Dia.	B	5,7,9	5-178X*	5-1350-1X* 5-1350X**	SPL30-1350XC**
	E-250 Econoline Club Wagon	2-Piece Driveshaft; 1.062" Bearing Cup Dia.	B	9	5-1204X*	5-7438X**	
1979-1986	E-250 Econoline Club Wagon	1-Piece Driveshaft	A	9	5-1204X*	5-7438X**	
1980-1986	E-250 Econoline Club Wagon	2-Piece Driveshaft	B	9	5-1204X*	5-7438X**	
1980-1991	E-250 Econoline Club Wagon	Bearing I.D. 1.378"	B	CB	211175X		
1984	E-250 Econoline Club Wagon	Auto Trans; 2-Piece Driveshaft	B	5	5-213X*	5-1330-1X* 5-1330X**	
	E-250 Econoline Club Wagon	Standard Trans; 2-Piece Driveshaft	B	5	5-1204X*	5-7438X**	
	E-250 Econoline Club Wagon	2-Piece Driveshaft	B	7	5-213X*	5-1330-1X* 5-1330X**	
1985-1986	E-250 Econoline Club Wagon	2-Piece Driveshaft	B	5,7	5-213X*	5-1330-1X* 5-1330X**	

\* GREASEABLE \*\* NON-GREASEABLE



**Ford (Cont'd)**

Year	Model	Description	Fig.	Location	Spicer Part #	SPL (Uncoated) Part #	SPL (Coated) Part #
1987-1988	E-250 Econoline Club Wagon		A	9	5-1204X*	5-7438X**	
1987-1989	E-250 Econoline Club Wagon		A	5	5-213X*	5-1330-1X* 5-1330X**	
1989	E-250 Econoline Club Wagon	w/ U-Bolts	A	9	5-213X*	5-1330-1X* 5-1330X**	
	E-250 Econoline Club Wagon	w/o U-Bolts	A	9	5-1204X*	5-7438X**	
1990	E-250 Econoline Club Wagon	4.9L; 3-Speed; 1-Piece Driveshaft; w/ 3.73 Rear Axle	A	9	5-1204X*	5-7438X**	
	E-250 Econoline Club Wagon	4.9L; 3-Speed; 1-Piece Driveshaft; w/ 4.10 Rear Axle	A	9	5-213X*	5-1330-1X* 5-1330X**	
	E-250 Econoline Club Wagon	4.9L; 4-Speed; 1-Piece Driveshaft	A	9	5-1204X*	5-7438X**	
	E-250 Econoline Club Wagon	5.8L; 3-Speed; 1-Piece Driveshaft; w/ 3.54 Rear Axle	A	9	5-1204X*	5-7438X**	
	E-250 Econoline Club Wagon	5.8L; 4-Speed; 1-Piece Driveshaft; w/ 4.10 Rear Axle	A	9	5-1204X*	5-7438X**	
	E-250 Econoline Club Wagon	7.3L; 7.5L; 1-Piece Driveshaft	A	9	5-1204X*	5-7438X**	
1990-1991	E-250 Econoline Club Wagon	1-Piece Driveshaft	A	5	5-213X*	5-1330-1X* 5-1330X**	
	E-250 Econoline Club Wagon	5.8L; 3-Speed; 1-Piece Driveshaft; w/ 4.10 Rear Axle	A	9	5-213X*	5-1330-1X* 5-1330X**	
	E-250 Econoline Club Wagon	5.8L; 4-Speed; 2-Piece Driveshaft; w/ 4.10 Rear Axle	B	5,7	5-213X*	5-1330-1X* 5-1330X**	
	E-250 Econoline Club Wagon	5.8L; 4-Speed; 2-Piece Driveshaft; w/ 4.10 Rear Axle	B	9	5-1204X*	5-7438X**	
1991	E-250 Econoline Club Wagon	4.9L; 7.3L; 7.5L; 1-Piece Driveshaft	A	9	5-1204X*	5-7438X**	
	E-250 Econoline Club Wagon	5.8L; 3-Speed; 4-Speed; 1-Piece Driveshaft; w/ 3.54 Rear Axle	A	9	5-1204X*	5-7438X**	
1969-1974	E-300 Econoline	1-Piece Driveshaft; 1.062" Bearing Cup Dia.	A	5,9	5-153X*	5-1310-1X* 5-1310X**	
	E-300 Econoline	1-Piece Driveshaft; 1.188" Bearing Cup Dia.	A	5,9	5-178X*	5-1350-1X* 5-1350X**	SPL30-1350XC**
	E-300 Econoline	2-Piece Driveshaft; 1.062" Bearing Cup Dia.	B	5,7,9	5-153X*	5-1310-1X* 5-1310X**	
	E-300 Econoline	2-Piece Driveshaft; 1.188" Bearing Cup Dia.	B	5,7,9	5-178X*	5-1350-1X* 5-1350X**	SPL30-1350XC**
	E-300 Econoline	Bearing I.D. 1.378"	B	CB	211175X		
1973-1974	E-300 Econoline	Bearing I.D. 1.574"	B	CB	211359X		
2003	E-350 Club Wagon	1-Piece Driveshaft	A	5,9	5-178X*	5-1350-1X* 5-1350X**	SPL30-1350XC**
	E-350 Club Wagon	2-Piece Driveshaft	B	5,7,9	5-178X*	5-1350-1X* 5-1350X**	SPL30-1350XC**
2004-2005	E-350 Club Wagon	V8 5.4L; 1-Piece Driveshaft	A	5,9	5-178X*	5-1350-1X* 5-1350X**	SPL30-1350XC**
	E-350 Club Wagon	V8 6.0L; 1-Piece Driveshaft	A	5,9	5-160X*	5-1410-1X* 5-1410X**	
2005	E-350 Club Wagon	V10 6.8L; 1-Piece Driveshaft	A	5,9	5-178X*	5-1350-1X* 5-1350X**	SPL30-1350XC**

\* GREASEABLE \*\* NON-GREASEABLE

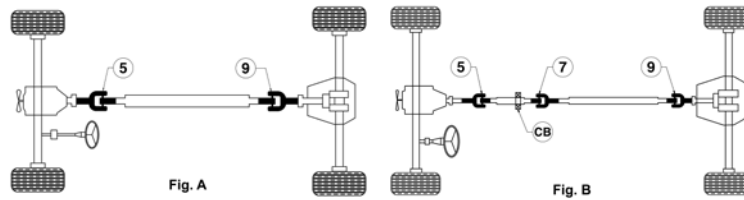
R  
W  
D

**Ford (Cont'd)**

Year	Model	Description	Fig.	Location	Spicer Part #	SPL (Uncoated) Part #	SPL (Coated) Part #
2005	E-350 Club Wagon	V10 6.8L; 2-Piece Driveshaft	B	5,9	5-160X*	5-1410-1X* 5-1410X**	
	E-350 Club Wagon	V8 5.4L; 2-Piece Driveshaft	B	5,9	5-160X*	5-1410-1X* 5-1410X**	
	E-350 Club Wagon	V8 6.0L; 2-Piece Driveshaft	B	5,9	5-160X*	5-1410-1X* 5-1410X**	
	E-350 Club Wagon	2-Piece Driveshaft	B	7	5-160X*	5-1410-1X* 5-1410X**	
	E-350 Club Wagon	Bearing I.D. 1.574"	B	CB	211359X		
1975-1978	E-350 Econoline	1-Piece Driveshaft	A	5,9	5-213X*	5-1330-1X* 5-1330X**	
	E-350 Econoline	2-Piece Driveshaft	B	5,7,9	5-213X*	5-1330-1X* 5-1330X**	
1975-1983	E-350 Econoline	Bearing I.D. 1.574"	B	CB	211359X		
1975-1995	E-350 Econoline	Bearing I.D. 1.378"	B	CB	211175X		
1979	E-350 Econoline	2-Piece Driveshaft; 1.062" Bearing Cup Dia.	B	5,7	5-213X*	5-1330-1X* 5-1330X**	
	E-350 Econoline	2-Piece Driveshaft; 1.188" Bearing Cup Dia.	B	5,7,9	5-178X*	5-1350-1X* 5-1350X**	SPL30-1350XC**
	E-350 Econoline	2-Piece Driveshaft; 1.062" & 1.125" Bearing Cup Dia.	B	9	5-1204X*	5-7438X**	
1979-1988	E-350 Econoline	1-Piece Driveshaft	A	9	5-1204X*	5-7438X**	
1979-1989	E-350 Econoline	1-Piece Driveshaft	A	5	5-213X*	5-1330-1X* 5-1330X**	
1980-1989	E-350 Econoline	2-Piece Driveshaft	B	9	5-1204X*	5-7438X**	
1984-1986	E-350 Econoline	Auto Trans; 2-Piece Driveshaft	B	5	5-213X*	5-1330-1X* 5-1330X**	
	E-350 Econoline	Standard Trans; 2-Piece Driveshaft	B	5	5-1204X*	5-7438X**	
1984-1988	E-350 Econoline	2-Piece Driveshaft	B	7	5-213X*	5-1330-1X* 5-1330X**	
1987-1988	E-350 Econoline	2-Piece Driveshaft	B	5	5-1204X*	5-7438X**	
1989	E-350 Econoline	1-Piece Driveshaft; w/ U-Bolts	A	9	5-1204X*	5-7438X**	
	E-350 Econoline	1-Piece Driveshaft; w/o U-Bolts	A	9	5-213X*	5-1330-1X* 5-1330X**	
	E-350 Econoline	2-Piece Driveshaft	B	5,7	5-213X*	5-1330-1X* 5-1330X**	
1990	E-350 Econoline	138.0" WB; 4-Speed; 1-Piece Driveshaft	A	5	5-213X*	5-1330-1X* 5-1330X**	
	E-350 Econoline	138.0" WB; 3-Speed; 1-Piece Driveshaft	A	5,9	5-213X*	5-1330-1X* 5-1330X**	
	E-350 Econoline	158.0" WB; 4-Speed; 2-Piece Driveshaft	B	5,7	5-213X*	5-1330-1X* 5-1330X**	
	E-350 Econoline	176.0" WB; 2-Piece Driveshaft	B	5,7	5-213X*	5-1330-1X* 5-1330X**	
	E-350 Econoline	158.0" WB; 4-Speed; 2-Piece Driveshaft	B	9	5-1204X*	5-7438X**	
	E-350 Econoline	176.0" WB; 2-Piece Driveshaft	B	9	5-1204X*	5-7438X**	
1991	E-350 Econoline	138.0" WB; 4.9L; 1-Piece Driveshaft	A	9	5-213X*	5-1330-1X* 5-1330X**	
	E-350 Econoline	138.0" WB; 5.8L; 7.3L; 7.5L; 1-Piece Driveshaft	A	9	5-1204X*	5-7438X**	
1991-1992	E-350 Econoline	138.0" WB; 1-Piece Driveshaft	A	5	5-213X*	5-1330-1X* 5-1330X**	
	E-350 Econoline	158.0" WB; 176.0" WB; 2-Piece Driveshaft	B	5,7	5-213X*	5-1330-1X* 5-1330X**	
	E-350 Econoline	158.0" WB; 176.0" WB; 2-Piece Driveshaft	B	9	5-1204X*	5-7438X**	
1992	E-350 Econoline	138.0" WB; 3-Speed; 1-Piece Driveshaft	A	9	5-213X*	5-1330-1X* 5-1330X**	
	E-350 Econoline	138.0" WB; 4-Speed; 1-Piece Driveshaft	A	9	5-1204X*	5-7438X**	
1993-1994	E-350 Econoline	5.8L; 7.3L; 1-Piece Driveshaft	A	5	5-213X*	5-1330-1X* 5-1330X**	
	E-350 Econoline	7.5L; 1-Piece Driveshaft	A	5,9	5-178X*	5-1350-1X* 5-1350X**	SPL30-1350XC**
	E-350 Econoline	5.8L; 7.3L; 1-Piece Driveshaft	A	9	5-1204X*	5-7438X**	

\* GREASEABLE \*\* NON-GREASEABLE

RWD



**Ford (Cont'd)**

Year	Model	Description	Fig.	Location	Spicer Part #	SPL (Uncoated) Part #	SPL (Coated) Part #
1993-1994	E-350 Econoline	5.8L; 7.3L; 2-Piece Driveshaft	B	5,7	5-213X*	5-1330-1X* 5-1330X**	
	E-350 Econoline	7.5L; 2-Piece Driveshaft	B	5,7,9	5-178X*	5-1350-1X* 5-1350X**	SPL30-1350XC**
	E-350 Econoline	5.8L; 7.3L; 2-Piece Driveshaft	B	9	5-1204X*	5-7438X**	
1993-1996	E-350 Econoline	4.9L; 138.0" WB; 1-Piece Driveshaft	A	5,9	5-213X*	5-1330-1X* 5-1330X**	
	E-350 Econoline	4.9L; 158.0" WB; 176.0" WB; 2-Piece Driveshaft	B	5,7	5-213X*	5-1330-1X* 5-1330X**	
	E-350 Econoline	4.9L; 158.0" WB; 176.0" WB; 2-Piece Driveshaft	B	9	5-1204X*	5-7438X**	
1995-1996	E-350 Econoline	5.8L; 1-Piece Driveshaft; 1.062" Bearing Cup Dia.	A	5	5-213X*	5-1330-1X* 5-1330X**	
	E-350 Econoline	5.8L; 1-Piece Driveshaft; 1.188" Bearing Cup Dia.	A	5,9	5-178X*	5-1350-1X* 5-1350X**	SPL30-1350XC**
	E-350 Econoline	7.3L; 7.5L; 1-Piece Driveshaft	A	5,9	5-178X*	5-1350-1X* 5-1350X**	SPL30-1350XC**
	E-350 Econoline	5.8L; 1-Piece Driveshaft; 1.062" & 1.125" Bearing Cup Dia.	A	9	5-1204X*	5-7438X**	
	E-350 Econoline	5.8L; 2-Piece Driveshaft; 1.062" Bearing Cup Dia.	B	5,7	5-213X*	5-1330-1X* 5-1330X**	
	E-350 Econoline	5.8L; 2-Piece Driveshaft; 1.188" Bearing Cup Dia.	B	5,7,9	5-178X*	5-1350-1X* 5-1350X**	SPL30-1350XC**
	E-350 Econoline	7.3L; 7.5L; 2-Piece Driveshaft	B	5,7,9	5-178X*	5-1350-1X* 5-1350X**	SPL30-1350XC**
	E-350 Econoline	5.8L; 2-Piece Driveshaft; 1.062" & 1.125" Bearing Cup Dia.	B	9	5-1204X*	5-7438X**	
1997-1998	E-350 Econoline	138.0" WB; 1-Piece Driveshaft	A	5,9	5-178X*	5-1350-1X* 5-1350X**	SPL30-1350XC**
	E-350 Econoline	158.0" WB; 176.0" WB; 2-Piece Driveshaft	B	5,7,9	5-178X*	5-1350-1X* 5-1350X**	SPL30-1350XC**
1977-1978	E-350 Econoline Club Wagon	1-Piece Driveshaft	A	5,9	5-213X*	5-1330-1X* 5-1330X**	
	E-350 Econoline Club Wagon	2-Piece Driveshaft	B	5,7,9	5-213X*	5-1330-1X* 5-1330X**	
1977-1983	E-350 Econoline Club Wagon	Bearing I.D. 1.574"	B	CB	211359X		
1979	E-350 Econoline Club Wagon	2-Piece Driveshaft	B	5	5-213X*	5-1330-1X* 5-1330X**	
	E-350 Econoline Club Wagon	2-Piece Driveshaft; 1.062" Bearing Cup Dia.	B	7	5-213X*	5-1330-1X* 5-1330X**	
	E-350 Econoline Club Wagon	2-Piece Driveshaft; 1.188" Bearing Cup Dia.	B	7,9	5-178X*	5-1350-1X* 5-1350X**	SPL30-1350XC**
	E-350 Econoline Club Wagon	2-Piece Driveshaft; 1.062" & 1.125" Bearing Cup Dia.	B	9	5-1204X*	5-7438X**	
1979-1988	E-350 Econoline Club Wagon	1-Piece Driveshaft	A	9	5-1204X*	5-7438X**	
1979-1989	E-350 Econoline Club Wagon	1-Piece Driveshaft	A	5	5-213X*	5-1330-1X* 5-1330X**	
1980-1989	E-350 Econoline Club Wagon	2-Piece Driveshaft	B	9	5-1204X*	5-7438X**	
1984	E-350 Econoline Club Wagon	Auto Trans; 2-Piece Driveshaft	B	5	5-213X*	5-1330-1X* 5-1330X**	

\* GREASEABLE \*\* NON-GREASEABLE

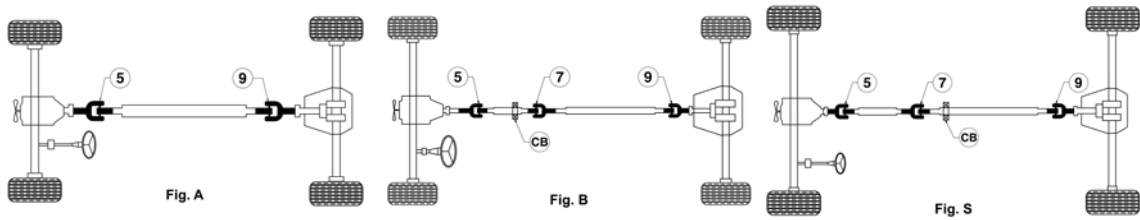
R  
W  
D

**Ford (Cont'd)**

Year	Model	Description	Fig.	Location	Spicer Part #	SPL (Uncoated) Part #	SPL (Coated) Part #
1984	E-350 Econoline Club Wagon	Standard Trans; 2-Piece Driveshaft	B	5	5-1204X*	5-7438X**	
1987-1988	E-350 Econoline Club Wagon	2-Piece Driveshaft	B	5	5-1204X*	5-7438X**	
	E-350 Econoline Club Wagon	2-Piece Driveshaft	B	7	5-213X*	5-1330-1X* 5-1330X**	
1989	E-350 Econoline Club Wagon	1-Piece Driveshaft; w/ U-Bolts	A	9	5-1204X*	5-7438X**	
	E-350 Econoline Club Wagon	1-Piece Driveshaft; w/o U-Bolts	A	9	5-213X*	5-1330-1X* 5-1330X**	
	E-350 Econoline Club Wagon	2-Piece Driveshaft	B	5,7	5-213X*	5-1330-1X* 5-1330X**	
1990-1996	E-350 Econoline Club Wagon	4-Speed	A	5	5-213X*	5-1330-1X* 5-1330X**	
	E-350 Econoline Club Wagon	3-Speed	A	5,9	5-213X*	5-1330-1X* 5-1330X**	
	E-350 Econoline Club Wagon	4-Speed	A	9	5-1204X*	5-7438X**	
1997-1999	E-350 Econoline Club Wagon		A	5,9	5-178X*	5-1350-1X* 5-1350X**	SPL30-1350XC**
1999-2002	E-350 Econoline Club Wagon	Bearing I.D. 1.378"	B	CB	211175X		
2000	E-350 Econoline Club Wagon	Exc. CNG; 1-Piece Driveshaft	A	5,9	5-178X*	5-1350-1X* 5-1350X**	SPL30-1350XC**
	E-350 Econoline Club Wagon	Exc. CNG; 2-Piece Driveshaft	B	5,7,9	5-178X*	5-1350-1X* 5-1350X**	SPL30-1350XC**
2001-2002	E-350 Econoline Club Wagon	1-Piece Driveshaft	A	5,9	5-178X*	5-1350-1X* 5-1350X**	SPL30-1350XC**
	E-350 Econoline Club Wagon	2-Piece Driveshaft	B	5,7,9	5-178X*	5-1350-1X* 5-1350X**	SPL30-1350XC**
1999	E-350 Super Duty	138.0" WB; 1-Piece Driveshaft	A	5,9	5-178X*	5-1350-1X* 5-1350X**	SPL30-1350XC**
	E-350 Super Duty	158.0" WB; 176.0" WB; 2-Piece Driveshaft	S	5,7,9	5-178X*	5-1350-1X* 5-1350X**	SPL30-1350XC**
1999-2002	E-350 Super Duty	Bearing I.D. 1.378"	B	CB	211175X		
2000-2003	E-350 Super Duty	Exc. CNG; 1-Piece Driveshaft	A	5,9	5-178X*	5-1350-1X* 5-1350X**	SPL30-1350XC**
	E-350 Super Duty	Exc. CNG; 2-Piece Driveshaft	S	5,7,9	5-178X*	5-1350-1X* 5-1350X**	SPL30-1350XC**
2004	E-350 Super Duty	V10 6.8L; 4-Speed; 1-Piece Driveshaft	A	5,9	5-178X*	5-1350-1X* 5-1350X**	SPL30-1350XC**
	E-350 Super Duty	V10 6.8L; 5-Speed; 1-Piece Driveshaft	A	5,9	5-160X*	5-1410-1X* 5-1410X**	
	E-350 Super Duty	V8 5.4L; Gas; 1-Piece Driveshaft	A	5,9	5-178X*	5-1350-1X* 5-1350X**	SPL30-1350XC**
	E-350 Super Duty	V10 6.8L; 2-Piece Driveshaft	S	5,7,9	5-178X*	5-1350-1X* 5-1350X**	SPL30-1350XC**
2004-2008	E-350 Super Duty	V8 6.0L; 1-Piece Driveshaft	A	5,9	5-160X*	5-1410-1X* 5-1410X**	
2005-2008	E-350 Super Duty	V10 6.8L; 2-Piece Driveshaft	S	5,7,9	5-160X*	5-1410-1X* 5-1410X**	
	E-350 Super Duty	V8 5.4L; 2-Piece Driveshaft	S	5,7,9	5-160X*	5-1410-1X* 5-1410X**	
	E-350 Super Duty	V8 6.0L; 2-Piece Driveshaft	S	5,7,9	5-160X*	5-1410-1X* 5-1410X**	
2005-2011	E-350 Super Duty	Bearing I.D. 1.574"	B	CB	211359X		
2009	E-350 Super Duty	V10 6.8L; Base; 1-Piece Driveshaft	A	5,9	5-178X*	5-1350-1X* 5-1350X**	SPL30-1350XC**
	E-350 Super Duty	V8 5.4L; Base; 1-Piece Driveshaft	A	5,9	5-178X*	5-1350-1X* 5-1350X**	SPL30-1350XC**
	E-350 Super Duty	V8 5.4L; XL; 1-Piece Driveshaft	A	5,9	5-178X*	5-1350-1X* 5-1350X**	SPL30-1350XC**
	E-350 Super Duty	V8 5.4L; XLT; 1-Piece Driveshaft	A	5,9	5-178X*	5-1350-1X* 5-1350X**	SPL30-1350XC**

\* GREASEABLE \*\* NON-GREASEABLE





**Ford (Cont'd)**

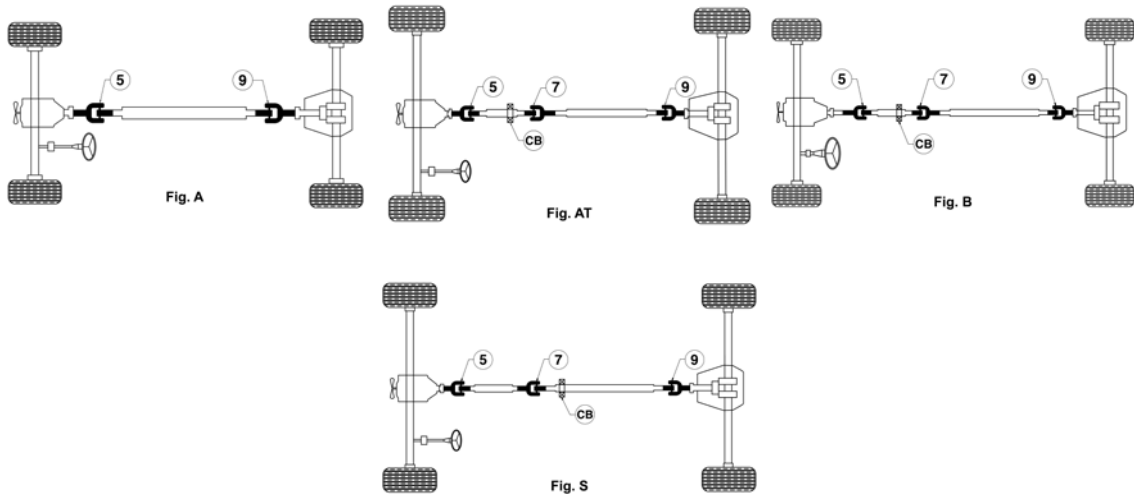
Year	Model	Description	Fig.	Location	Spicer Part #	SPL (Uncoated) Part #	SPL (Coated) Part #
2009-2010	E-350 Super Duty	V8 6.0L; Base; 1-Piece Driveshaft	A	5,9	5-160X*	5-1410-1X* 5-1410X**	
	E-350 Super Duty	V8 6.0L; XLT; 1-Piece Driveshaft	A	5,9	5-160X*	5-1410-1X* 5-1410X**	
	E-350 Super Duty	V8 5.4L; Base; 2-Piece Driveshaft	S	5,7,9	5-160X*	5-1410-1X* 5-1410X**	
	E-350 Super Duty	V8 6.0L; Base; 2-Piece Driveshaft	S	5,7,9	5-160X*	5-1410-1X* 5-1410X**	
2009-2014	E-350 Super Duty	V10 6.8L; XL; 1-Piece Driveshaft	A	5,9	5-160X*	5-1410-1X* 5-1410X**	
	E-350 Super Duty	V10 6.8L; Base; 2-Piece Driveshaft	S	5,7,9	5-160X*	5-1410-1X* 5-1410X**	
2010	E-350 Super Duty	V10 6.8L; Base; 1-Piece Driveshaft	A	5,9	5-160X* 5-178X*	5-1350-1X* 5-1350X** 5-1410-1X* 5-1410X**	SPL30-1350XC**
	E-350 Super Duty	V8 5.4L; Base; 1-Piece Driveshaft	A	5,9	5-160X* 5-178X*	5-1350-1X* 5-1350X** 5-1410-1X* 5-1410X**	SPL30-1350XC**
	E-350 Super Duty	V8 5.4L; XL; 1-Piece Driveshaft	A	5,9	5-160X* 5-178X*	5-1350-1X* 5-1350X** 5-1410-1X* 5-1410X**	SPL30-1350XC**
	E-350 Super Duty	V8 5.4L; XLT; 1-Piece Driveshaft	A	5,9	5-160X*	5-1410-1X* 5-1410X**	
	E-350 Super Duty	V8 6.0L; XL; 1-Piece Driveshaft	A	5,9	5-160X*	5-1410-1X* 5-1410X**	
	E-350 Super Duty	V8 5.4L; XL; 2-Piece Driveshaft	S	5,7,9	5-160X*	5-1410-1X* 5-1410X**	
	E-350 Super Duty	V10 6.8L; XLT; 1-Piece Driveshaft	A	5,9	5-160X*	5-1410-1X* 5-1410X**	
2011-2014	E-350 Super Duty	V10 6.8L; Base; 1-Piece Driveshaft	A	5,9	5-160X*	5-1410-1X* 5-1410X**	
	E-350 Super Duty	V8 5.4L; Base; 1-Piece Driveshaft	A	5,9	5-178X*	5-1350-1X* 5-1350X**	SPL30-1350XC**
	E-350 Super Duty	V8 5.4L; XL; 1-Piece Driveshaft	A	5,9	5-178X*	5-1350-1X* 5-1350X**	SPL30-1350XC**
	E-350 Super Duty	V8 5.4L; XLT; 1-Piece Driveshaft	A	5,9	5-178X*	5-1350-1X* 5-1350X**	SPL30-1350XC**
	E-350 Super Duty	V8 5.4L; Base; 2-Piece Driveshaft	S	5	5-178X*	5-1350-1X* 5-1350X**	SPL30-1350XC**
	E-350 Super Duty	V8 5.4L; XL; 2-Piece Driveshaft	S	5	5-178X*	5-1350-1X* 5-1350X**	SPL30-1350XC**
	E-350 Super Duty	V8 5.4L; XLT; 2-Piece Driveshaft	S	5	5-178X*	5-1350-1X* 5-1350X**	SPL30-1350XC**
	E-350 Super Duty	V10 6.8L; XL; 2-Piece Driveshaft	S	5,7,9	5-160X*	5-1410-1X* 5-1410X**	
	E-350 Super Duty	V10 6.8L; XLT; 2-Piece Driveshaft	S	5,7,9	5-160X*	5-1410-1X* 5-1410X**	
	E-350 Super Duty	V8 5.4L; Base; 2-Piece Driveshaft	S	7,9	5-160X*	5-1410-1X* 5-1410X**	
	E-350 Super Duty	V8 5.4L; XL; 2-Piece Driveshaft	S	7,9	5-160X*	5-1410-1X* 5-1410X**	

\* GREASEABLE \*\* NON-GREASEABLE

**Ford (Cont'd)**

Year	Model	Description	Fig.	Location	Spicer Part #	SPL (Uncoated) Part #	SPL (Coated) Part #
2011-2014	E-350 Super Duty	V8 5.4L; XLT; 2-Piece Driveshaft	S	7,9	5-160X*	5-1410-1X* 5-1410X**	
2015-2016	E-350 Super Duty	V10 6.8L; 1-Piece Driveshaft	A	5,9	5-178X*	5-1350-1X* 5-1350X**	SPL30-1350XC**
	E-350 Super Duty	V8 5.4L; 1-Piece Driveshaft	A	5,9	5-178X*	5-1350-1X* 5-1350X**	SPL30-1350XC**
	E-350 Super Duty	V10 6.8L; 2-Piece Driveshaft	S	5	5-178X*	5-1350-1X* 5-1350X**	SPL30-1350XC**
	E-350 Super Duty	V8 5.4L; 2-Piece Driveshaft	S	5	5-178X*	5-1350-1X* 5-1350X**	SPL30-1350XC**
	E-350 Super Duty	V10 6.8L; 2-Piece Driveshaft	S	7,9	5-160X*	5-1410-1X* 5-1410X**	
	E-350 Super Duty	V8 5.4L; 2-Piece Driveshaft	S	7,9	5-160X*	5-1410-1X* 5-1410X**	
2017	E-350 Super Duty	1-Piece Driveshaft	A	5,9	5-178X*	5-1350-1X* 5-1350X**	SPL30-1350XC**
	E-350 Super Duty	2-Piece Driveshaft	S	5	5-178X*	5-1350-1X* 5-1350X**	SPL30-1350XC**
	E-350 Super Duty	2-Piece Driveshaft	S	7,9	5-160X*	5-1410-1X* 5-1410X**	
1999	E-450 Econoline Super Duty	1-Piece Driveshaft	A	5,9	5-160X*	5-1410-1X* 5-1410X**	
	E-450 Econoline Super Duty	2-Piece Driveshaft	S	5,7,9	5-160X*	5-1410-1X* 5-1410X**	
2000-2001	E-450 Econoline Super Duty	V10 6.8L; 2-Piece Driveshaft; Dual Rear Wheels	S	5,7,9	5-178X*	5-1350-1X* 5-1350X**	SPL30-1350XC**
	E-450 Econoline Super Duty	V10 6.8L; 2-Piece Driveshaft; Single Rear Wheels	S	5,7,9	5-160X*	5-1410-1X* 5-1410X**	
	E-450 Econoline Super Duty	V8 7.3L; 2-Piece Driveshaft; Dual Rear Wheels	S	5,7,9	5-178X*	5-1350-1X* 5-1350X**	SPL30-1350XC**
	E-450 Econoline Super Duty	V8 7.3L; 2-Piece Driveshaft; Single Rear Wheels	S	5,7,9	5-160X*	5-1410-1X* 5-1410X**	
2002	E-450 Econoline Super Duty	V10 6.8L; 176.0" WB; 2-Piece Driveshaft; Dual Rear Wheels	S	5,7,9	5-178X*	5-1350-1X* 5-1350X**	SPL30-1350XC**
	E-450 Econoline Super Duty	V10 6.8L; 176.0" WB; 2-Piece Driveshaft; Single Rear Wheels	S	5,7,9	5-160X*	5-1410-1X* 5-1410X**	
	E-450 Econoline Super Duty	V8 7.3L; 176.0" WB; 2-Piece Driveshaft; Dual Rear Wheels	S	5,7,9	5-178X*	5-1350-1X* 5-1350X**	SPL30-1350XC**
	E-450 Econoline Super Duty	V8 7.3L; 176.0" WB; 2-Piece Driveshaft; Single Rear Wheels	S	5,7,9	5-160X*	5-1410-1X* 5-1410X**	
2003	E-450 Super Duty	Custom; 2-Piece Driveshaft	S	5,7,9	5-160X*	5-1410-1X* 5-1410X**	
2004-2016	E-450 Super Duty	2-Piece Driveshaft	S	5,7,9	5-160X*	5-1410-1X* 5-1410X**	
2017	E-450 Super Duty	1-Piece Driveshaft	A	5,9	5-178X*	5-1350-1X* 5-1350X**	SPL30-1350XC**
	E-450 Super Duty	2-Piece Driveshaft	S	5	5-178X*	5-1350-1X* 5-1350X**	SPL30-1350XC**
	E-450 Super Duty	2-Piece Driveshaft	S	7,9	5-160X*	5-1410-1X* 5-1410X**	
2002	E-550 Econoline Super Duty	V10 6.8L; 2-Piece Driveshaft; Dual Rear Wheels	S	5,7,9	5-178X*	5-1350-1X* 5-1350X**	SPL30-1350XC**
	E-550 Econoline Super Duty	V10 6.8L; 2-Piece Driveshaft; Single Rear Wheels	S	5,7,9	5-160X*	5-1410-1X* 5-1410X**	
	E-550 Econoline Super Duty	V8 7.3L; 2-Piece Driveshaft; Dual Rear Wheels	S	5,7,9	5-178X*	5-1350-1X* 5-1350X**	SPL30-1350XC**
	E-550 Econoline Super Duty	V8 7.3L; 2-Piece Driveshaft; Single Rear Wheels	S	5,7,9	5-160X*	5-1410-1X* 5-1410X**	
2003	E-550 Super Duty	2-Piece Driveshaft	S	5,7,9	5-188X*	SPL55-1X* SPL55X**	
1996-1999	Econoline Super Duty	1-Piece Driveshaft	A	5,9	5-160X*	5-1410-1X* 5-1410X**	
	Econoline Super Duty	2-Piece Driveshaft	S	5,7,9	5-160X*	5-1410-1X* 5-1410X**	

\* GREASEABLE \*\* NON-GREASEABLE



**Ford (Cont'd)**

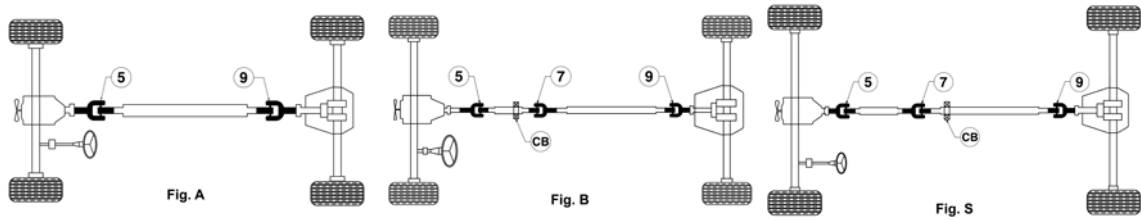
Year	Model	Description	Fig.	Location	Spicer Part #	SPL (Uncoated) Part #	SPL (Coated) Part #
2000	Excursion	V10 6.8L; 1-Piece Driveshaft; 3.73 Drive Ratio	A	5,9	5-160X*	5-1410-1X* 5-1410X**	
	Excursion	V10 6.8L; 1-Piece Driveshaft; 4.30 Drive Ratio	A	5,9	5-160X*	5-1410-1X* 5-1410X**	
2000-2002	Excursion	Bearing I.D. 1.378"	B	CB	211175X		
2000-2003	Excursion	V8 5.4L; 1-Piece Driveshaft; 3.73 Drive Ratio	A	5,9	5-178X*	5-1350-1X* 5-1350X**	SPL30-1350XC**
	Excursion	V8 5.4L; 1-Piece Driveshaft; 4.10 Drive Ratio	A	5,9	5-160X*	5-1410-1X* 5-1410X**	
	Excursion	V8 7.3L; 1-Piece Driveshaft	A	5,9	5-160X*	5-1410-1X* 5-1410X**	
2001	Excursion	V10 6.8L; 1-Piece Driveshaft; 3.73 Drive Ratio; From 04/08/2001	A	5,9	5-160X*	5-1410-1X* 5-1410X**	
	Excursion	V10 6.8L; 1-Piece Driveshaft; 3.73 Drive Ratio; To 04/08/2001	A	5,9	5-160X*	5-1410-1X* 5-1410X**	
	Excursion	V10 6.8L; 1-Piece Driveshaft; 4.30 Drive Ratio; From 04/04/2001	A	5,9	5-160X*	5-1410-1X* 5-1410X**	
	Excursion	V10 6.8L; 1-Piece Driveshaft; 4.30 Drive Ratio; To 04/04/2001	A	5,9	5-160X*	5-1410-1X* 5-1410X**	
2002	Excursion	V10 6.8L; 1-Piece Driveshaft	A	5,9	5-160X*	5-1410-1X* 5-1410X**	
2003	Excursion	V10 6.8L; 1-Piece Driveshaft	A	5,9	5-178X*	5-1350-1X* 5-1350X**	SPL30-1350XC**
	Excursion	V8 6.0L; 1-Piece Driveshaft	A	5,9	5-160X*	5-1410-1X* 5-1410X**	
2004-2005	Excursion	1-Piece Driveshaft	A	5,9	5-160X*	5-1410-1X* 5-1410X**	
1997-1999	Expedition	4.6L	A	5,9	5-213X*	5-1330-1X* 5-1330X**	
	Expedition	5.4L	A	5,9	5-178X*	5-1350-1X* 5-1350X**	SPL30-1350XC**
2000-2002	Expedition	V8 4.6L; 1-Piece Driveshaft	A	5,9	5-178X*	5-1350-1X* 5-1350X**	SPL30-1350XC**
	Expedition	V8 5.4L; 1-Piece Driveshaft	A	5,9	5-178X*	5-1350-1X* 5-1350X**	SPL30-1350XC**
2003-2006	Expedition	1-Piece Driveshaft	A	9	5-178X*	5-1350-1X* 5-1350X**	SPL30-1350XC**
2014-2016	Expedition	Exc. Max Limited; 2-Piece Driveshaft	AT	7,9	5-178X*	5-1350-1X* 5-1350X**	SPL30-1350XC**
2017	Expedition	2-Piece Driveshaft	AT	7,9	5-178X*	5-1350-1X* 5-1350X**	SPL30-1350XC**

\* GREASEABLE \*\* NON-GREASEABLE

**Ford (Cont'd)**

Year	Model	Description	Fig.	Location	Spicer Part #	SPL (Uncoated) Part #	SPL (Coated) Part #
1991-1994	Explorer		A	5,9	5-153X*	5-1310-1X* 5-1310X**	
1995-1996	Explorer	Auto Trans	A	5,9	5-213X*	5-1330-1X* 5-1330X**	
	Explorer	Standard Trans; w/ 3.500" O.D. Yoke	A	5,9	5-153X*	5-1310-1X* 5-1310X**	
	Explorer	Standard Trans; w/ 3.875" O.D. Yoke	A	5,9	5-213X*	5-1330-1X* 5-1330X**	
1997-2010	Explorer		A	5,9	5-213X*	5-1330-1X* 5-1330X**	
2001-2003	Explorer Sport	1-Piece Driveshaft	A	5,9	5-213X*	5-1330-1X* 5-1330X**	
2001-2005	Explorer Sport Trac		A	5,9	5-213X*	5-1330-1X* 5-1330X**	
1988-1997	F Super Duty		S	5,7,9	5-160X*	5-1410-1X* 5-1410X**	
1953	F-100	3.5L; 3.9L; 4.2L	B	5	5-153X*	5-1310-1X* 5-1310X**	
	F-100	3.5L	B	7,9	5-134X*		
1953-1954	F-100	3.9L; 4.2L	B	7,9	5-153X*	5-1310-1X* 5-1310X**	
1954	F-100	3.6L; 3.9L; 4.2L	B	5	5-153X*	5-1310-1X* 5-1310X**	
1954-1959	F-100	3.6L	B	7,9	5-134X*		
1955	F-100	3.6L; 3.9L; 4.2L; 4.4L	B	5	5-153X*	5-1310-1X* 5-1310X**	
	F-100	3.9L; 4.2L; 4.4L	B	7,9	5-153X*	5-1310-1X* 5-1310X**	
1956	F-100	3.6L; 4.4L	B	5	5-153X*	5-1310-1X* 5-1310X**	
	F-100	4.4L	B	7,9	5-153X*	5-1310-1X* 5-1310X**	
1957-1958	F-100	3.6L; 4.4L; 4.8L; 5.8L	B	5	5-153X*	5-1310-1X* 5-1310X**	
	F-100	4.4L; 4.8L; 5.8L	B	7,9	5-153X*	5-1310-1X* 5-1310X**	
1959	F-100	3.6L; 4.8L; 5.8L	B	5	5-153X*	5-1310-1X* 5-1310X**	
	F-100	4.8L; 5.8L	B	7,9	5-153X*	5-1310-1X* 5-1310X**	
1960-1972	F-100	1-Piece Driveshaft	A	5,9	5-153X*	5-1310-1X* 5-1310X**	
	F-100	2-Piece Driveshaft	B	5,7,9	5-153X*	5-1310-1X* 5-1310X**	
1975-1978	F-100	Standard Cab; 1-Piece Driveshaft	A	5,9	5-153X*	5-1310-1X* 5-1310X**	
	F-100	Extended Cab; 2-Piece Driveshaft	B	5,7,9	5-153X*	5-1310-1X* 5-1310X**	
1975-1983	F-100	Bearing I.D. 1.378"	B	CB	211175X		
	F-100	Bearing I.D. 1.574"	B	CB	211359X		
1979	F-100	w/ 3.875" O.D. Yoke	A	5	5-213X*	5-1330-1X* 5-1330X**	
	F-100	w/ 3.500" O.D. Yoke	A	5,9	5-153X*	5-1310-1X* 5-1310X**	
	F-100	w/ 3.875" O.D. Yoke	A	9	5-1204X*	5-7438X**	
1980-1981	F-100		A	5	5-153X*	5-1310-1X* 5-1310X**	
	F-100		A	9	5-1204X*	5-7438X**	
1982-1983	F-100	1-Piece Driveshaft	A	5	5-153X*	5-1310-1X* 5-1310X**	
	F-100	1-Piece Driveshaft	A	9	5-1204X*	5-7438X**	
	F-100	2-Piece Driveshaft; w/ U-Bolts	B	5	5-1204X*	5-7438X**	
	F-100	2-Piece Driveshaft; w/o U-Bolts	B	5	5-213X*	5-1330-1X* 5-1330X**	

\* GREASEABLE \*\* NON-GREASEABLE



**Ford (Cont'd)**

Year	Model	Description	Fig.	Location	Spicer Part #	SPL (Uncoated) Part #	SPL (Coated) Part #
1982-1983	F-100	2-Piece Driveshaft	B	7	5-213X*	5-1330-1X* 5-1330X**	
	F-100	2-Piece Driveshaft	B	9	5-1204X*	5-7438X**	
1975	F-150	7.5L; Extended Cab; Auto Trans; 2-Piece Driveshaft	B	7,9	5-134X*		
1975-1976	F-150	5.9L; Standard Cab; Auto Trans; 1-Piece Driveshaft	A	5,9	5-153X*	5-1310-1X* 5-1310X**	
	F-150	6.4L; Standard Cab; Auto Trans; 1-Piece Driveshaft	A	5,9	5-153X*	5-1310-1X* 5-1310X**	
	F-150	5.9L; Extended Cab; Auto Trans; 2-Piece Driveshaft	B	5,7,9	5-153X*	5-1310-1X* 5-1310X**	
	F-150	6.4L; Extended Cab; Auto Trans; 2-Piece Driveshaft	B	5,7,9	5-153X*	5-1310-1X* 5-1310X**	
1975-1977	F-150	4.9L; Standard Cab; Auto Trans; 1-Piece Driveshaft	A	5,9	5-153X*	5-1310-1X* 5-1310X**	
	F-150	5.0L; Standard Cab; Auto Trans; 1-Piece Driveshaft	A	5,9	5-153X*	5-1310-1X* 5-1310X**	
1975-1978	F-150	Standard Cab; Standard Trans; 1-Piece Driveshaft	A	5,9	5-153X*	5-1310-1X* 5-1310X**	
	F-150	7.5L; Extended Cab; Auto Trans; 2-Piece Driveshaft	B	5	5-213X*	5-1330-1X* 5-1330X**	
	F-150	4.9L; Extended Cab; Auto Trans; 2-Piece Driveshaft	B	5,7,9	5-153X*	5-1310-1X* 5-1310X**	
	F-150	5.0L; Extended Cab; Auto Trans; 2-Piece Driveshaft	B	5,7,9	5-153X*	5-1310-1X* 5-1310X**	
1975-1983	F-150	Bearing I.D. 1.574"	B	CB	211359X		
1975-1995	F-150	Bearing I.D. 1.378"	B	CB	211175X		
1976	F-150	7.5L; Extended Cab; Auto Trans; 2-Piece Driveshaft	B	7,9	5-153X*	5-1310-1X* 5-1310X**	
1977	F-150	5.8L; Standard Cab; Auto Trans; 1-Piece Driveshaft	A	5,9	5-153X*	5-1310-1X* 5-1310X**	
	F-150	7.5L; Standard Cab; Auto Trans; 1-Piece Driveshaft	A	5,9	5-213X*	5-1330-1X* 5-1330X**	
	F-150	Extended Cab; Standard Trans; 2-Piece Driveshaft	B	5,7,9	5-153X*	5-1310-1X* 5-1310X**	
	F-150	7.5L; Standard Cab; Auto Trans; 2-Piece Driveshaft	B	7	5-213X*	5-1330-1X* 5-1330X**	
1977-1978	F-150	6.6L; Extended Cab; Auto Trans; 2-Piece Driveshaft	B	5	5-134X*		
	F-150	6.6L; Standard Cab; Auto Trans; 2-Piece Driveshaft; w/ 3.25 Rear Axle	B	5	5-134X*		
	F-150	5.8L; Extended Cab; Auto Trans; 2-Piece Driveshaft	B	5,7,9	5-153X*	5-1310-1X* 5-1310X**	
	F-150	6.6L; Standard Cab; Auto Trans; 2-Piece Driveshaft; w/ 2.75 Rear Axle	B	5,7,9	5-213X*	5-1330-1X* 5-1330X**	
	F-150	6.6L; Extended Cab; Auto Trans; 2-Piece Driveshaft	B	7,9	5-213X*	5-1330-1X* 5-1330X**	
	F-150	6.6L; Standard Cab; Auto Trans; 2-Piece Driveshaft; w/ 3.25 Rear Axle	B	7,9	5-213X*	5-1330-1X* 5-1330X**	
	F-150	7.5L; Extended Cab; Auto Trans; 2-Piece Driveshaft	B	7,9	5-134X*		
1978	F-150	Extended Cab; Standard Trans; 1-Piece Driveshaft	A	5,9	5-153X*	5-1310-1X* 5-1310X**	

\* GREASEABLE \*\* NON-GREASEABLE

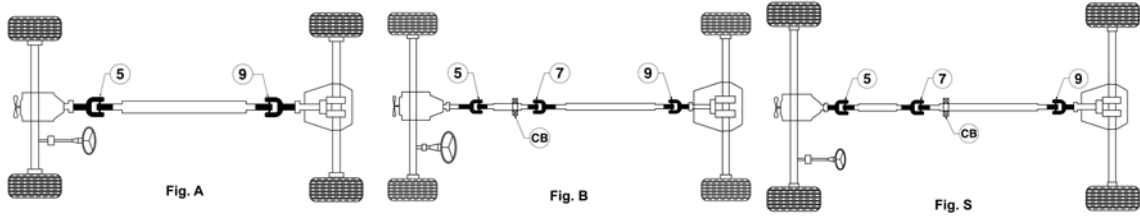
R  
W  
D

**Ford (Cont'd)**

Year	Model	Description	Fig.	Location	Spicer Part #	SPL (Uncoated) Part #	SPL (Coated) Part #
1978	F-150	7.5L; Standard Cab; Auto Trans; 2-Piece Driveshaft	B	5,7,9	5-213X*	5-1330-1X* 5-1330X**	
	F-150	4.9L; Standard Cab; Auto Trans; 2-Piece Driveshaft	B	5,9	5-153X*	5-1310-1X* 5-1310X**	
	F-150	5.0L; Standard Cab; Auto Trans; 2-Piece Driveshaft	B	5,9	5-153X*	5-1310-1X* 5-1310X**	
	F-150	5.8L; Standard Cab; Auto Trans; 2-Piece Driveshaft	B	5,9	5-153X*	5-1310-1X* 5-1310X**	
1979-1986	F-150	2-Piece Driveshaft; w/o U-Bolts	B	5	5-213X*	5-1330-1X* 5-1330X**	
1981	F-150	1-Piece Driveshaft; Using plastic to retain the u-joints	A	5,9	5-3147X*	5-795X**	
1981-1986	F-150	2-Piece Driveshaft; w/ U-Bolts	B	5	5-1204X*	5-7438X**	
1982-1989	F-150	1-Piece Driveshaft	A	5	5-213X*	5-1330-1X* 5-1330X**	
	F-150	1-Piece Driveshaft	A	9	5-1204X*	5-7438X**	
1988	F-150	2-Piece Driveshaft	B	9	5-1204X*	5-7438X**	
	F-150	Exc. ZF Trans; 2-Piece Driveshaft	B	5	5-213X*	5-1330-1X* 5-1330X**	
	F-150	ZF Trans; 2-Piece Driveshaft	B	5	5-1204X*	5-7438X**	
1989	F-150	2-Piece Driveshaft	B	7	5-213X*	5-1330-1X* 5-1330X**	
	F-150	2-Piece Driveshaft	B	5,7	5-213X*	5-1330-1X* 5-1330X**	
1990	F-150	Extended Cab; 1-Piece Driveshaft	A	5	5-213X*	5-1330-1X* 5-1330X**	
	F-150	Standard Cab; 1-Piece Driveshaft	A	5	5-213X*	5-1330-1X* 5-1330X**	
	F-150	Extended Cab; 1-Piece Driveshaft	A	9	5-1204X*	5-7438X**	
	F-150	Standard Cab; 1-Piece Driveshaft	A	9	5-1204X*	5-7438X**	
	F-150	Standard Cab; Standard Trans; 2-Piece Driveshaft	B	5,7,9		5-1330-1X*	
	F-150	Standard Cab; Standard Trans; 4-Speed; 2-Piece Driveshaft	B	5,7,9	5-1204X*	5-7438X**	
	F-150	Standard Cab; Standard Trans; 5-Speed; 2-Piece Driveshaft	B	5,7,9	5-213X*	5-1330X**	
1990-1996	F-150	Extended Cab; 2-Piece Driveshaft	B	5,7,9	5-213X*	5-1330-1X* 5-1330X**	
1991-1996	F-150	Standard Cab; 1-Piece Driveshaft	A	5,9	5-213X*	5-1330-1X* 5-1330X**	
	F-150	Standard Cab; 2-Piece Driveshaft; w/ 2 Inside & 2 Outside Snap Rings	B	5,7	5-1204X*	5-7438X**	
	F-150	Standard Cab; 2-Piece Driveshaft; w/ 4 Outside Snap Rings	B	5,7	5-213X*	5-1330-1X* 5-1330X**	
	F-150	Standard Cab; 2-Piece Driveshaft	B	9	5-213X*	5-1330-1X* 5-1330X**	
1997	F-150	5.4L; 157.0" WB; 2-Piece Driveshaft; 1.062" Bearing Cup Dia.	B	5,7,9	5-213X*	5-1330-1X* 5-1330X**	
1997-2002	F-150	5.4L; 120.0" WB; 1-Piece Driveshaft; 1.188" Bearing Cup Dia.	A	5,9	5-178X*	5-1350-1X* 5-1350X**	SPL30-1350XC**
	F-150	4.2L; 157.0" WB; 2-Piece Driveshaft	B	5,7,9	5-213X*	5-1330-1X* 5-1330X**	
	F-150	4.6L; 157.0" WB; 2-Piece Driveshaft	B	5,7,9	5-213X*	5-1330-1X* 5-1330X**	
1997-2003	F-150	4.2L; 120.0" WB; 1-Piece Driveshaft	A	5,9	5-213X*	5-1330-1X* 5-1330X**	
	F-150	4.2L; 139.0" WB; 1-Piece Driveshaft	A	5,9	5-213X*	5-1330-1X* 5-1330X**	
	F-150	4.6L; 120.0" WB; 1-Piece Driveshaft	A	5,9	5-213X*	5-1330-1X* 5-1330X**	
	F-150	4.6L; 139.0" WB; 1-Piece Driveshaft	A	5,9	5-213X*	5-1330-1X* 5-1330X**	
	F-150	5.4L; 139.0" WB; 1-Piece Driveshaft	A	5,9	5-178X*	5-1350-1X* 5-1350X**	SPL30-1350XC**

\* GREASEABLE \*\* NON-GREASEABLE

RWD



**Ford (Cont'd)**

Year	Model	Description	Fig.	Location	Spicer Part #	SPL (Uncoated) Part #	SPL (Coated) Part #
1998-2002	F-150	5.4L; 120.0" WB; 1-Piece Driveshaft; 1.062" Bearing Cup Dia.	A	5,9	5-213X*	5-1330-1X* 5-1330X**	
	F-150	5.4L; 157.0" WB; 2-Piece Driveshaft	B	5,7,9	5-178X*	5-1350-1X* 5-1350X**	SPL30-1350XC**
2003	F-150	5.4L; 120.0" WB; 1-Piece Driveshaft	A	5,9	5-178X*	5-1350-1X* 5-1350X**	SPL30-1350XC**
	F-150	4.2L; 157.0" WB; 2-Piece Driveshaft; 1.062" Bearing Cup Dia.	B	5,7,9	5-213X*	5-1330-1X* 5-1330X**	
	F-150	4.6L; 157.0" WB; 2-Piece Driveshaft; 1.062" Bearing Cup Dia.	B	5,7,9	5-213X*	5-1330-1X* 5-1330X**	
	F-150	5.4L; 157.0" WB; 2-Piece Driveshaft; 1.188" Bearing Cup Dia.	B	5,7,9	5-178X*	5-1350-1X* 5-1350X**	SPL30-1350XC**
	F-150	2-Piece Driveshaft	B	5,7,9	5-178X*	5-1350-1X* 5-1350X**	SPL30-1350XC**
2004	F-150	2-Piece Driveshaft	B	5,7,9	5-178X*	5-1350-1X* 5-1350X**	SPL30-1350XC**
2004-2014	F-150	1-Piece Driveshaft	A	5,9	5-178X*	5-1350-1X* 5-1350X**	SPL30-1350XC**
2005-2014	F-150	2-Piece Driveshaft	S	5,7,9	5-178X*	5-1350-1X* 5-1350X**	SPL30-1350XC**
2004	F-150 Heritage	4.2L; 119.9" WB; 1-Piece Driveshaft	A	5,9	5-213X*	5-1330-1X* 5-1330X**	
	F-150 Heritage	4.2L; 120.2" WB; 1-Piece Driveshaft	A	5,9	5-213X*	5-1330-1X* 5-1330X**	
	F-150 Heritage	4.2L; 138.5" WB; 1-Piece Driveshaft	A	5,9	5-213X*	5-1330-1X* 5-1330X**	
	F-150 Heritage	4.2L; 138.8" WB; 1-Piece Driveshaft	A	5,9	5-213X*	5-1330-1X* 5-1330X**	
	F-150 Heritage	4.6L; 119.9" WB; 1-Piece Driveshaft	A	5,9	5-213X*	5-1330-1X* 5-1330X**	
	F-150 Heritage	4.6L; 120.2" WB; 1-Piece Driveshaft	A	5,9	5-213X*	5-1330-1X* 5-1330X**	
	F-150 Heritage	4.6L; 138.5" WB; 1-Piece Driveshaft	A	5,9	5-213X*	5-1330-1X* 5-1330X**	
	F-150 Heritage	4.6L; 138.8" WB; 1-Piece Driveshaft	A	5,9	5-213X*	5-1330-1X* 5-1330X**	
	F-150 Heritage	5.4L; 119.9" WB; 1-Piece Driveshaft	A	5,9	5-178X*	5-1350-1X* 5-1350X**	SPL30-1350XC**
	F-150 Heritage	5.4L; 120.2" WB; 1-Piece Driveshaft	A	5,9	5-178X*	5-1350-1X* 5-1350X**	SPL30-1350XC**
	F-150 Heritage	5.4L; 138.5" WB; 1-Piece Driveshaft	A	5,9	5-178X*	5-1350-1X* 5-1350X**	SPL30-1350XC**
	F-150 Heritage	5.4L; 138.8" WB; 1-Piece Driveshaft	A	5,9	5-178X*	5-1350-1X* 5-1350X**	SPL30-1350XC**
	F-150 Heritage	4.2L; 157.1" WB; 2-Piece Driveshaft	B	5,7,9	5-213X*	5-1330-1X* 5-1330X**	
	F-150 Heritage	4.2L; 157.4" WB; 2-Piece Driveshaft	B	5,7,9	5-213X*	5-1330-1X* 5-1330X**	
	F-150 Heritage	4.6L; 157.1" WB; 2-Piece Driveshaft	B	5,7,9	5-213X*	5-1330-1X* 5-1330X**	
	F-150 Heritage	4.6L; 157.4" WB; 2-Piece Driveshaft	B	5,7,9	5-213X*	5-1330-1X* 5-1330X**	
	F-150 Heritage	5.4L; 157.1" WB; 2-Piece Driveshaft	B	5,7,9	5-178X*	5-1350-1X* 5-1350X**	SPL30-1350XC**

\* GREASEABLE \*\* NON-GREASEABLE

R  
W  
D

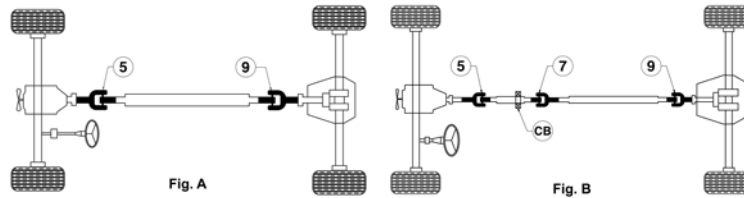
**Ford (Cont'd)**

Year	Model	Description	Fig.	Location	Spicer Part #	SPL (Uncoated) Part #	SPL (Coated) Part #
2004	F-150 Heritage	5.4L; 157.4" WB; 2-Piece Driveshaft	B	5,7,9	5-178X*	5-1350-1X* 5-1350X**	SPL30-1350XC**
1953-1967	F-250	1-Piece Driveshaft	A	5,9	5-153X*	5-1310-1X* 5-1310X**	
	F-250	2-Piece Driveshaft	B	5,7,9	5-153X*	5-1310-1X* 5-1310X**	
1968-1972	F-250	3.9L	B	5,7,9	5-153X*	5-1310-1X* 5-1310X**	
	F-250	4.9L	B	5,7,9	5-153X*	5-1310-1X* 5-1310X**	
1968-1974	F-250	5.9L	B	5,7,9	5-153X*	5-1310-1X* 5-1310X**	
	F-250	6.4L	B	5,7,9	5-213X*	5-1330-1X* 5-1330X**	
1973-1974	F-250	7.5L	B	5,7,9	5-213X*	5-1330-1X* 5-1330X**	
1975-1976	F-250	6.4L; 133.0" WB; 1-Piece Driveshaft; 1.188" Bearing Cup Dia.	A	5,9	5-178X*	5-1350-1X* 5-1350X**	SPL30-1350XC**
	F-250	7.5L; 133.0" WB; 1-Piece Driveshaft; 1.188" Bearing Cup Dia.	A	5,9	5-178X*	5-1350-1X* 5-1350X**	SPL30-1350XC**
	F-250	4.9L; Extended Cab; Standard Trans; 2-Piece Driveshaft	B	5	5-153X*	5-1310-1X* 5-1310X**	
	F-250	5.9L; Extended Cab; Standard Trans; 2-Piece Driveshaft	B	5	5-153X*	5-1310-1X* 5-1310X**	
	F-250	6.4L; 133.0" WB; 2-Piece Driveshaft; 1.062" Bearing Cup Dia.	B	5,7	5-213X*	5-1330-1X* 5-1330X**	
	F-250	4.9L; Cab & Chassis; Auto Trans; 2-Piece Driveshaft	B	5,7,9	5-153X*	5-1310-1X* 5-1310X**	
	F-250	4.9L; Cab & Chassis; Standard Trans; 2-Piece Driveshaft	B	5,7,9	5-153X*	5-1310-1X* 5-1310X**	
	F-250	4.9L; Standard Cab; Auto Trans; 2-Piece Driveshaft	B	5,7,9	5-153X*	5-1310-1X* 5-1310X**	
	F-250	4.9L; Standard Cab; Standard Trans; 2-Piece Driveshaft	B	5,7,9	5-153X*	5-1310-1X* 5-1310X**	
	F-250	5.9L; Cab & Chassis; Auto Trans; 2-Piece Driveshaft	B	5,7,9	5-153X*	5-1310-1X* 5-1310X**	
	F-250	5.9L; Cab & Chassis; Standard Trans; 2-Piece Driveshaft	B	5,7,9	5-153X*	5-1310-1X* 5-1310X**	
	F-250	5.9L; Standard Cab; Auto Trans; 2-Piece Driveshaft	B	5,7,9	5-153X*	5-1310-1X* 5-1310X**	
	F-250	5.9L; Standard Cab; Standard Trans; 2-Piece Driveshaft	B	5,7,9	5-153X*	5-1310-1X* 5-1310X**	
	F-250	6.4L; 133.0" WB; 2-Piece Driveshaft; 1.188" Bearing Cup Dia.	B	5,7,9	5-178X*	5-1350-1X* 5-1350X**	SPL30-1350XC**
	F-250	6.4L; 155.0" WB; 2-Piece Driveshaft; 1.062" Bearing Cup Dia.; w/ 3.875" O.D. Yoke	B	5,7,9	5-213X*	5-1330-1X* 5-1330X**	
	F-250	6.4L; 155.0" WB; 2-Piece Driveshaft; 1.188" Bearing Cup Dia.; w/ 3.875" O.D. Yoke	B	5,7,9	5-178X*	5-1350-1X* 5-1350X**	SPL30-1350XC**
	F-250	6.4L; 155.0" WB; 2-Piece Driveshaft; w/ 3.500" O.D. Yoke	B	5,7,9	5-153X*	5-1310-1X* 5-1310X**	
	F-250	4.9L; Extended Cab; Standard Trans; 2-Piece Driveshaft	B	7,9	5-134X*		
	F-250	5.9L; Extended Cab; Standard Trans; 2-Piece Driveshaft	B	7,9	5-134X*		
	F-250	6.4L; 133.0" WB; 2-Piece Driveshaft; 1.062" Bearing Cup Dia.	B	9	5-178X*	5-1350-1X* 5-1350X**	SPL30-1350XC**
1975-1977	F-250	7.5L; 133.0" WB; 2-Piece Driveshaft; 1.062" Bearing Cup Dia.	B	5,7	5-213X*	5-1330-1X* 5-1330X**	
	F-250	7.5L; 133.0" WB; 2-Piece Driveshaft; 1.188" Bearing Cup Dia.	B	5,7,9	5-178X*	5-1350-1X* 5-1350X**	SPL30-1350XC**
	F-250	7.5L; 155.0" WB; 2-Piece Driveshaft; 1.062" Bearing Cup Dia.; w/ 3.875" O.D. Yoke	B	5,7,9	5-213X*	5-1330-1X* 5-1330X**	
	F-250	7.5L; 155.0" WB; 2-Piece Driveshaft; 1.188" Bearing Cup Dia.; w/ 3.875" O.D. Yoke	B	5,7,9	5-178X*	5-1350-1X* 5-1350X**	SPL30-1350XC**

\* GREASEABLE \*\* NON-GREASEABLE

RWD





**Ford (Cont'd)**

Year	Model	Description	Fig.	Location	Spicer Part #	SPL (Uncoated) Part #	SPL (Coated) Part #	
1975-1977	F-250	7.5L; 155.0" WB; 2-Piece Driveshaft; w/ 3.500" O.D. Yoke	B	5,7,9	5-153X*	5-1310-1X* 5-1310X**		
	F-250	7.5L; 133.0" WB; 2-Piece Driveshaft; 1.062" Bearing Cup Dia.	B	9	5-178X*	5-1350-1X* 5-1350X**	SPL30-1350XC**	
1977	F-250	6.6L; 133.0" WB; 1-Piece Driveshaft	A	5,9	5-178X*	5-1350-1X* 5-1350X**	SPL30-1350XC**	
	F-250	7.5L; 133.0" WB; 1-Piece Driveshaft	A	5,9	5-178X*	5-1350-1X* 5-1350X**	SPL30-1350XC**	
	F-250	6.6L; 133.0" WB; 2-Piece Driveshaft; 1.062" Bearing Cup Dia.	B	5,7	5-213X*	5-1330-1X* 5-1330X**		
	F-250	6.6L; 139.0" WB; 2-Piece Driveshaft; 1.062" Bearing Cup Dia.	B	5,7	5-213X*	5-1350-1X* 5-1330X**		
	F-250	7.5L; 139.0" WB; 2-Piece Driveshaft; 1.062" Bearing Cup Dia.	B	5,7	5-213X*	5-1330-1X* 5-1330X**		
	F-250	4.9L; 2-Piece Driveshaft; w/ 3.500" O.D. Yoke	B	5,7,9	5-153X*	5-1310-1X* 5-1310X**		
	F-250	4.9L; 2-Piece Driveshaft; w/ 3.875" O.D. Yoke	B	5,7,9	5-134X*			
	F-250	5.8L; 2-Piece Driveshaft; w/ 3.500" O.D. Yoke	B	5,7,9	5-153X*	5-1310-1X* 5-1310X**		
	F-250	5.8L; 2-Piece Driveshaft; w/ 3.875" O.D. Yoke	B	5,7,9	5-134X*			
	F-250	6.6L; 133.0" WB; 2-Piece Driveshaft; 1.188" Bearing Cup Dia.	B	5,7,9	5-178X*	5-1350-1X* 5-1350X**	SPL30-1350XC**	
	F-250	6.6L; 139.0" WB; 2-Piece Driveshaft; 1.188" Bearing Cup Dia.	B	5,7,9	5-178X*	5-1350-1X* 5-1350X**	SPL30-1350XC**	
	F-250	6.6L; 155.0" WB; 2-Piece Driveshaft; 1.062" Bearing Cup Dia.; w/ 3.875" O.D. Yoke	B	5,7,9	5-213X*	5-1330-1X* 5-1330X**		
	F-250	6.6L; 155.0" WB; 2-Piece Driveshaft; 1.188" Bearing Cup Dia.; w/ 3.875" O.D. Yoke	B	5,7,9	5-178X*	5-1350-1X* 5-1350X**	SPL30-1350XC**	
	F-250	6.6L; 155.0" WB; 2-Piece Driveshaft; w/ 3.500" O.D. Yoke	B	5,7,9	5-153X*	5-1310-1X* 5-1310X**		
	F-250	7.5L; 139.0" WB; 2-Piece Driveshaft; 1.188" Bearing Cup Dia.	B	5,7,9	5-178X*	5-1350-1X* 5-1350X**	SPL30-1350XC**	
	F-250	6.6L; 133.0" WB; 2-Piece Driveshaft; 1.062" Bearing Cup Dia.	B	9	5-178X*	5-1350-1X* 5-1350X**	SPL30-1350XC**	
	F-250	6.6L; 139.0" WB; 2-Piece Driveshaft; 1.062" Bearing Cup Dia.	B	9	5-178X*	5-1350-1X* 5-1350X**	SPL30-1350XC**	
	F-250	7.5L; 139.0" WB; 2-Piece Driveshaft; 1.062" Bearing Cup Dia.	B	9	5-178X*	5-1350-1X* 5-1350X**	SPL30-1350XC**	
	1978	F-250	6.6L; 1-Piece Driveshaft	A	5,9	5-213X*	5-1330-1X* 5-1330X**	
		F-250	7.5L; 1-Piece Driveshaft	A	5,9	5-213X*	5-1330-1X* 5-1330X**	
F-250		4.9L; 2-Piece Driveshaft	B	5,7,9	5-153X*	5-1310-1X* 5-1310X**		
F-250		5.8L; 2-Piece Driveshaft	B	5,7,9	5-153X*	5-1310-1X* 5-1310X**		
F-250		6.6L; 2-Piece Driveshaft	B	5,9	5-213X*	5-1330-1X* 5-1330X**		
F-250		7.5L; 2-Piece Driveshaft	B	5,9	5-213X*	5-1330-1X* 5-1330X**		

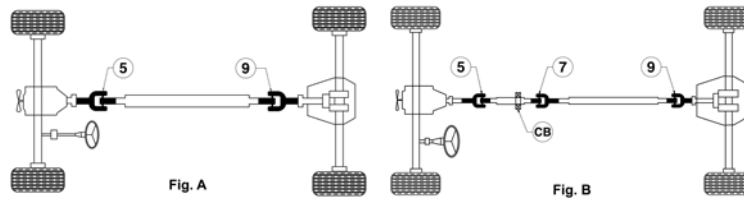
\* GREASEABLE \*\* NON-GREASEABLE

R  
W  
D

**Ford (Cont'd)**

Year	Model	Description	Fig.	Location	Spicer Part #	SPL (Uncoated) Part #	SPL (Coated) Part #
1978	F-250	6.6L; 2-Piece Driveshaft; 1.062" Bearing Cup Dia.	B	7	5-213X*	5-1330-1X* 5-1330X**	
	F-250	6.6L; 2-Piece Driveshaft; 1.188" Bearing Cup Dia.	B	7	5-178X*	5-1350-1X* 5-1350X**	SPL30-1350XC**
	F-250	7.5L; 2-Piece Driveshaft; 1.062" Bearing Cup Dia.	B	7	5-213X*	5-1330-1X* 5-1330X**	
	F-250	7.5L; 2-Piece Driveshaft; 1.188" Bearing Cup Dia.	B	7	5-178X*	5-1350-1X* 5-1350X**	SPL30-1350XC**
1979	F-250	4.9L; 5.8L; 7.5L; 133.0" WB; 139.0" WB; 155.0" WB; w/ 3.73 Rear Axle	B	5,7	5-213X*	5-1330-1X* 5-1330X**	
	F-250	4.9L; 5.8L; 7.5L; 133.0" WB; 139.0" WB; 155.0" WB; w/o 3.73 Rear Axle	B	5,7	5-213X*	5-1330-1X* 5-1330X**	
	F-250	4.9L; 5.8L; 7.5L; 155.0" WB; w/ Dana 60 Rear Axle	B	5,7	5-213X*	5-1330-1X* 5-1330X**	
	F-250	4.9L; 5.8L; 7.5L; 155.0" WB; w/o Dana 60 Rear Axle	B	5,7	5-213X*	5-1330-1X* 5-1330X**	
	F-250	6.6L	B	5,7,9	5-178X*	5-1350-1X* 5-1350X**	SPL30-1350XC**
	F-250	4.9L; 5.8L; 7.5L; 133.0" WB; 139.0" WB; 155.0" WB; w/ 3.73 Rear Axle	B	9	5-1204X*	5-7438X**	
	F-250	4.9L; 5.8L; 7.5L; 133.0" WB; 139.0" WB; 155.0" WB; w/o 3.73 Rear Axle	B	9	5-178X*	5-1350-1X* 5-1350X**	SPL30-1350XC**
	F-250	4.9L; 5.8L; 7.5L; 155.0" WB; w/ Dana 60 Rear Axle	B	9	5-1204X*	5-7438X**	
	F-250	4.9L; 5.8L; 7.5L; 155.0" WB; w/o Dana 60 Rear Axle	B	9	5-178X*	5-1350-1X* 5-1350X**	SPL30-1350XC**
1980	F-250	2-Piece Driveshaft	B	5,7	5-213X*	5-1330-1X* 5-1330X**	
1980-1986	F-250	1-Piece Driveshaft	A	5	5-213X*	5-1330-1X* 5-1330X**	
	F-250	1-Piece Driveshaft	A	9	5-1204X*	5-7438X**	
	F-250	2-Piece Driveshaft	B	9	5-1204X*	5-7438X**	
1981-1986	F-250	2-Piece Driveshaft; w/ U-Bolts	B	5	5-1204X*	5-7438X**	
	F-250	2-Piece Driveshaft; w/o U-Bolts	B	5	5-213X*	5-1330-1X* 5-1330X**	
	F-250	2-Piece Driveshaft	B	7	5-213X*	5-1330-1X* 5-1330X**	
1987	F-250	Extended Cab; 3-Speed	A	5	5-213X*	5-1330-1X* 5-1330X**	
	F-250	Extended Cab; 4-Speed	A	5	5-213X*	5-1330-1X* 5-1330X**	
	F-250	Standard Cab; 3-Speed	A	5	5-213X*	5-1330-1X* 5-1330X**	
	F-250	Standard Cab; 4-Speed	A	5	5-213X*	5-1330-1X* 5-1330X**	
	F-250	Extended Cab; Standard Trans; 5-Speed	A	5,9	5-178X*	5-1350-1X* 5-1350X**	SPL30-1350XC**
	F-250	Standard Cab; Standard Trans; 5-Speed	A	5,9	5-178X*	5-1350-1X* 5-1350X**	SPL30-1350XC**
	F-250	Extended Cab; 3-Speed	A	9	5-1204X*	5-7438X**	
	F-250	Extended Cab; 4-Speed	A	9	5-1204X*	5-7438X**	
	F-250	Standard Cab; 3-Speed	A	9	5-1204X*	5-7438X**	
1988	F-250	Standard Cab; 4-Speed	A	9	5-1204X*	5-7438X**	
	F-250	3-Speed; 1-Piece Driveshaft	A	5	5-213X*	5-1330-1X* 5-1330X**	
	F-250	4-Speed; 1-Piece Driveshaft	A	5	5-213X*	5-1330-1X* 5-1330X**	
	F-250	5.0L; Standard Trans; 5-Speed; 1-Piece Driveshaft; w/o Heavy Duty Trans	A	5	5-213X*	5-1330-1X* 5-1330X**	
	F-250	5.8L; Standard Trans; 5-Speed; 1-Piece Driveshaft; w/o Heavy Duty Trans	A	5	5-213X*	5-1330-1X* 5-1330X**	
F-250	7.3L; Standard Trans; 5-Speed; 1-Piece Driveshaft; w/o Heavy Duty Trans	A	5	5-213X*	5-1330-1X* 5-1330X**		

\* GREASEABLE \*\* NON-GREASEABLE



**Ford (Cont'd)**

Year	Model	Description	Fig.	Location	Spicer Part #	SPL (Uncoated) Part #	SPL (Coated) Part #	
1988	F-250	7.5L; Standard Trans; 5-Speed; 1-Piece Driveshaft; w/o Heavy Duty Trans	A	5	5-213X*	5-1330-1X* 5-1330X**		
	F-250	7.3L; Standard Trans; 5-Speed; 1-Piece Driveshaft; Heavy Duty Trans	A	5,9	5-178X*	5-1350-1X* 5-1350X**	SPL30-1350XC**	
	F-250	7.5L; Standard Trans; 5-Speed; 1-Piece Driveshaft; Heavy Duty Trans	A	5,9	5-178X*	5-1350-1X* 5-1350X**	SPL30-1350XC**	
	F-250	3-Speed; 1-Piece Driveshaft	A	9	5-1204X*	5-7438X**		
	F-250	4-Speed; 1-Piece Driveshaft	A	9	5-1204X*	5-7438X**		
	F-250	4.9L; Standard Trans; 5-Speed; 2-Piece Driveshaft; Heavy Duty Trans	B	5	5-1204X*	5-7438X**		
	F-250	4.9L; Standard Trans; 5-Speed; 2-Piece Driveshaft; w/o Heavy Duty Trans; w/ 4.10 Rear Axle	B	5	5-1204X*	5-7438X**		
	F-250	5.8L; Standard Trans; 5-Speed; 2-Piece Driveshaft; Heavy Duty Trans	B	5	5-1204X*	5-7438X**		
	F-250	3-Speed; 2-Piece Driveshaft	B	5,7	5-213X*	5-1330-1X* 5-1330X**		
	F-250	4-Speed; 2-Piece Driveshaft	B	5,7	5-213X*	5-1330-1X* 5-1330X**		
	F-250	4.9L; Standard Trans; 5-Speed; 2-Piece Driveshaft; Heavy Duty Trans	B	7	5-213X*	5-1330-1X* 5-1330X**		
	F-250	4.9L; Standard Trans; 5-Speed; 2-Piece Driveshaft; w/o Heavy Duty Trans; w/ 4.10 Rear Axle	B	7	5-213X*	5-1330-1X* 5-1330X**		
	F-250	5.8L; Standard Trans; 5-Speed; 2-Piece Driveshaft; Heavy Duty Trans	B	7	5-213X*	5-1330-1X* 5-1330X**		
	F-250	3-Speed; 2-Piece Driveshaft	B	9	5-1204X*	5-7438X**		
	F-250	4.9L; Standard Trans; 5-Speed; 2-Piece Driveshaft; Heavy Duty Trans	B	9	5-1204X*	5-7438X**		
	F-250	4.9L; Standard Trans; 5-Speed; 2-Piece Driveshaft; w/o Heavy Duty Trans; w/ 4.10 Rear Axle	B	9	5-1204X*	5-7438X**		
	F-250	4-Speed; 2-Piece Driveshaft	B	9	5-1204X*	5-7438X**		
	F-250	5.8L; Standard Trans; 5-Speed; 2-Piece Driveshaft; Heavy Duty Trans	B	9	5-1204X*	5-7438X**		
	1989	F-250	Standard Cab; 3-Speed; 1-Piece Driveshaft	A	5	5-213X*	5-1330-1X* 5-1330X**	
		F-250	Standard Cab; 4-Speed; 1-Piece Driveshaft	A	5	5-213X*	5-1330-1X* 5-1330X**	
F-250		7.3L; Standard Trans; 5-Speed; 1-Piece Driveshaft	A	5,9	5-178X*	5-1350-1X* 5-1350X**	SPL30-1350XC**	
F-250		7.5L; Standard Trans; 5-Speed; 1-Piece Driveshaft	A	5,9	5-178X*	5-1350-1X* 5-1350X**	SPL30-1350XC**	
F-250		Standard Cab; 3-Speed; 1-Piece Driveshaft	A	9	5-1204X*	5-7438X**		
F-250		Standard Cab; 4-Speed; 1-Piece Driveshaft	A	9	5-1204X*	5-7438X**		
F-250		4.9L; Standard Trans; 5-Speed; 2-Piece Driveshaft; w/ H/D	B	5,9	5-1204X*	5-7438X**		
F-250		5.8L; Standard Trans; 5-Speed; 2-Piece Driveshaft; w/ H/D	B	5,9	5-1204X*	5-7438X**		
F-250		4.9L; Standard Trans; 5-Speed; 2-Piece Driveshaft	B	7	5-213X*	5-1330-1X* 5-1330X**		
F-250		5.8L; Standard Trans; 5-Speed; 2-Piece Driveshaft	B	7	5-213X*	5-1330-1X* 5-1330X**		

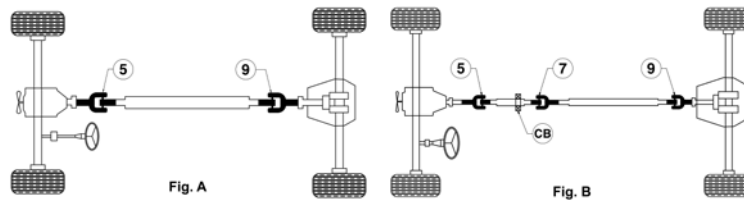
\* GREASEABLE \*\* NON-GREASEABLE

R  
W  
D

**Ford (Cont'd)**

Year	Model	Description	Fig.	Location	Spicer Part #	SPL (Uncoated) Part #	SPL (Coated) Part #
1990	F-250	4.9L; Standard Cab; 1-Piece Driveshaft; 1.062" Bearing Cup Dia.; w/ Outside Snap Rings	A	5	5-213X*	5-1330-1X* 5-1330X**	
	F-250	5.0L; Standard Cab; 1-Piece Driveshaft; 1.062" Bearing Cup Dia.; w/ Outside Snap Rings	A	5	5-213X*	5-1330-1X* 5-1330X**	
	F-250	5.8L; Standard Cab; 1-Piece Driveshaft; 1.062" Bearing Cup Dia.; w/ Outside Snap Rings	A	5	5-213X*	5-1330-1X* 5-1330X**	
	F-250	7.3L; Standard Cab; 1-Piece Driveshaft; 1.062" Bearing Cup Dia.; w/ Outside Snap Rings	A	5	5-213X*	5-1330-1X* 5-1330X**	
	F-250	7.5L; Standard Cab; 1-Piece Driveshaft; 1.062" Bearing Cup Dia.; w/ Outside Snap Rings	A	5	5-213X*	5-1330-1X* 5-1330X**	
	F-250	5.8L; Standard Cab; 1-Piece Driveshaft; w/ Inside & Outside Snap Rings	A	5,9	5-1204X*	5-7438X**	
	F-250	7.3L; Standard Cab; 1-Piece Driveshaft; 1.188" Bearing Cup Dia.; w/ Outside Snap Rings	A	5,9	5-178X*	5-1350-1X* 5-1350X**	SPL30-1350XC**
	F-250	7.5L; Standard Cab; 1-Piece Driveshaft; 1.188" Bearing Cup Dia.; w/ Outside Snap Rings	A	5,9	5-178X*	5-1350-1X* 5-1350X**	SPL30-1350XC**
	F-250	7.3L; Standard Cab; 2-Piece Driveshaft; 1.062" Bearing Cup Dia.; w/ Outside Snap Rings	B	5	5-213X*	5-1330-1X* 5-1330X**	
	F-250	7.5L; Standard Cab; 2-Piece Driveshaft; 1.062" Bearing Cup Dia.; w/ Outside Snap Rings	B	5	5-213X*	5-1330-1X* 5-1330X**	
	F-250	4.9L; Standard Cab; 2-Piece Driveshaft; 1.062" Bearing Cup Dia.; w/ Outside Snap Rings	B	5,7	5-213X*	5-1330-1X* 5-1330X**	
	F-250	5.0L; Standard Cab; 2-Piece Driveshaft; 1.062" Bearing Cup Dia.; w/ Outside Snap Rings	B	5,7	5-213X*	5-1330-1X* 5-1330X**	
	F-250	5.8L; Extended Cab; 2-Piece Driveshaft; 1.062" Bearing Cup Dia.; w/ Outside Snap Rings	B	5,7	5-213X*	5-1330-1X* 5-1330X**	
	F-250	5.8L; Standard Cab; 2-Piece Driveshaft; 1.062" Bearing Cup Dia.; w/ Outside Snap Rings	B	5,7	5-213X*	5-1330-1X* 5-1330X**	
	F-250	5.8L; Extended Cab; 2-Piece Driveshaft; 1.188" Bearing Cup Dia.; w/ Outside Snap Rings	B	5,7,9	5-178X*	5-1350-1X* 5-1350X**	SPL30-1350XC**
	F-250	7.3L; Extended Cab; 2-Piece Driveshaft; 1.188" Bearing Cup Dia.; w/ Outside Snap Rings	B	5,7,9	5-178X*	5-1350-1X* 5-1350X**	SPL30-1350XC**
	F-250	7.3L; Standard Cab; 2-Piece Driveshaft; 1.188" Bearing Cup Dia.; w/ Outside Snap Rings	B	5,7,9	5-178X*	5-1350-1X* 5-1350X**	SPL30-1350XC**
	F-250	7.5L; Extended Cab; 2-Piece Driveshaft; 1.188" Bearing Cup Dia.; w/ Outside Snap Rings	B	5,7,9	5-178X*	5-1350-1X* 5-1350X**	SPL30-1350XC**
	F-250	7.5L; Standard Cab; 2-Piece Driveshaft; 1.188" Bearing Cup Dia.; w/ Outside Snap Rings	B	5,7,9	5-178X*	5-1350-1X* 5-1350X**	SPL30-1350XC**
	F-250	4.9L; Extended Cab; 2-Piece Driveshaft; w/ Inside & Outside Snap Rings	B	5,9	5-1204X*	5-7438X**	
	F-250	5.0L; Standard Cab; 2-Piece Driveshaft; w/ Inside & Outside Snap Rings	B	5,9	5-1204X*	5-7438X**	
	F-250	4.9L; Extended Cab; 2-Piece Driveshaft; 1.062" Bearing Cup Dia.; w/ Outside Snap Rings	B	7	5-213X*	5-1330-1X* 5-1330X**	
	F-250	7.3L; Standard Cab; 2-Piece Driveshaft; w/ Inside & Outside Snap Rings	B	9	5-1204X*	5-7438X**	
	F-250	7.5L; Standard Cab; 2-Piece Driveshaft; w/ Inside & Outside Snap Rings	B	9	5-1204X*	5-7438X**	

\* GREASEABLE \*\* NON-GREASEABLE



**Ford (Cont'd)**

Year	Model	Description	Fig.	Location	Spicer Part #	SPL (Uncoated) Part #	SPL (Coated) Part #	
1990-1991	F-250	4.9L; Standard Cab; 1-Piece Driveshaft; w/ Inside & Outside Snap Rings	A	5,9	5-1204X*	5-7438X**		
	F-250	5.0L; Standard Cab; 1-Piece Driveshaft; w/ Inside & Outside Snap Rings	A	5,9	5-1204X*	5-7438X**		
1990-1992	F-250	7.3L; Standard Cab; 1-Piece Driveshaft; w/ Inside & Outside Snap Rings	A	9	5-1204X*	5-7438X**		
	F-250	7.5L; Standard Cab; 1-Piece Driveshaft; w/ Inside & Outside Snap Rings	A	9	5-1204X*	5-7438X**		
	F-250	4.9L; Standard Cab; 2-Piece Driveshaft; w/ Inside & Outside Snap Rings	B	5,9	5-1204X*	5-7438X**		
	F-250	5.8L; Extended Cab; 2-Piece Driveshaft; w/ Inside & Outside Snap Rings	B	5,9	5-1204X*	5-7438X**		
	F-250	5.8L; Standard Cab; 2-Piece Driveshaft; w/ Inside & Outside Snap Rings	B	5,9	5-1204X*	5-7438X**		
	F-250	5.8L; Standard Cab; 2-Piece Driveshaft; w/ Inside & Outside Snap Rings	B	5,9	5-1204X*	5-7438X**		
1991	F-250	4.9L; Standard Cab; 1-Piece Driveshaft; w/ Outside Snap Rings	A	5,9	5-213X*	5-1330-1X* 5-1330X**		
	F-250	5.0L; Extended Cab; 2-Piece Driveshaft; w/ Outside Snap Rings	B	5,7	5-213X*	5-1330-1X* 5-1330X**		
	F-250	5.8L; Extended Cab; 2-Piece Driveshaft; w/ Outside Snap Rings	B	5,7,9	5-178X*	5-1350-1X* 5-1350X**	SPL30-1350XC**	
	F-250	7.3L; Extended Cab; 2-Piece Driveshaft; w/ Outside Snap Rings	B	5,7,9	5-178X*	5-1350-1X* 5-1350X**	SPL30-1350XC**	
	F-250	5.8L; Extended Cab; 1-Piece Driveshaft; w/ Outside Snap Rings	B	7	5-213X*	5-1330-1X* 5-1330X**		
	F-250	5.0L; Extended Cab; 2-Piece Driveshaft; w/ Inside & Outside Snap Rings	B	9	5-1204X*	5-7438X**		
1991-1992	F-250	5.0L; Standard Cab; 1-Piece Driveshaft; w/ Outside Snap Rings	A	5	5-213X*	5-1330-1X* 5-1330X**		
	F-250	5.8L; Standard Cab; 1-Piece Driveshaft; w/ Outside Snap Rings	A	5	5-213X*	5-1330-1X* 5-1330X**		
	F-250	7.3L; Standard Cab; 1-Piece Driveshaft; w/ Outside Snap Rings	A	5	5-213X*	5-1330-1X* 5-1330X**		
	F-250	7.5L; Standard Cab; 1-Piece Driveshaft; w/ Outside Snap Rings	A	5	5-213X*	5-1330-1X* 5-1330X**		
	F-250	4.9L; Extended Cab; 1-Piece Driveshaft; w/ Inside & Outside Snap Rings	A	5,9	5-1204X*	5-7438X**		
	F-250	5.8L; Extended Cab; 1-Piece Driveshaft; w/ Inside & Outside Snap Rings	A	5,9	5-1204X*	5-7438X**		
	F-250	5.8L; Standard Cab; 1-Piece Driveshaft; w/ Inside & Outside Snap Rings	A	9	5-1204X*	5-7438X**		
	F-250	7.3L; Standard Cab; 2-Piece Driveshaft; w/ Outside Snap Rings	B	5,7,9	5-178X*	5-1350-1X* 5-1350X**	SPL30-1350XC**	
	F-250	4.9L; Standard Cab; 2-Piece Driveshaft; w/ Outside Snap Rings	B	7	5-213X*	5-1330-1X* 5-1330X**		
	F-250	5.8L; Standard Cab; 2-Piece Driveshaft; w/ Outside Snap Rings	B	7	5-213X*	5-1330-1X* 5-1330X**		
	1992	F-250	4.9L; Standard Cab; 1-Piece Driveshaft; w/ Inside & Outside Snap Rings	A	9	5-1204X*	5-7438X**	
		F-250	5.0L; Standard Cab; 1-Piece Driveshaft; w/ Inside & Outside Snap Rings	A	9	5-1204X*	5-7438X**	
		F-250	5.0L; Standard Cab; 2-Piece Driveshaft; w/ Outside Snap Rings	B	5,7	5-213X*	5-1330-1X* 5-1330X**	

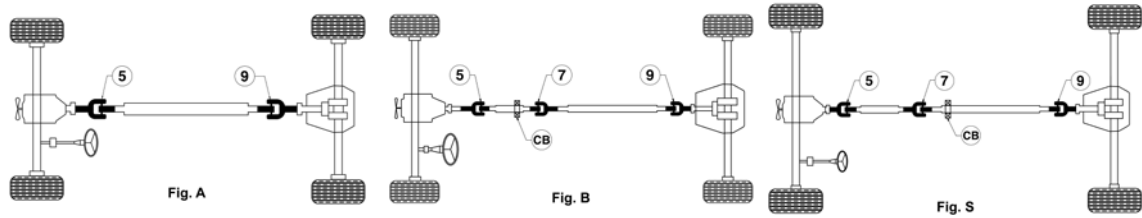
\* GREASEABLE \*\* NON-GREASEABLE

R  
W  
D

**Ford (Cont'd)**

Year	Model	Description	Fig.	Location	Spicer Part #	SPL (Uncoated) Part #	SPL (Coated) Part #
1992	F-250	5.8L; Extended Cab; 2-Piece Driveshaft; w/ Outside Snap Rings; 1.188" Bearing Cup Dia.	B	5,7,9	5-178X*	5-1350-1X* 5-1350X**	SPL30-1350XC**
	F-250	7.5L; Standard Cab; 2-Piece Driveshaft; w/ Outside Snap Rings	B	5,7,9	5-178X*	5-1350-1X* 5-1350X**	SPL30-1350XC**
	F-250	5.8L; Extended Cab; 2-Piece Driveshaft; w/ Outside Snap Rings; 1.062" Bearing Cup Dia.	B	7	5-213X*	5-1330-1X* 5-1330X**	
	F-250	5.0L; Standard Cab; 2-Piece Driveshaft; w/ Inside & Outside Snap Rings	B	9	5-1204X*	5-7438X**	
1993-1994	F-250	7.3L; 1-Piece Driveshaft; w/ Outside Snap Rings	A	5	5-213X*	5-1330-1X* 5-1330X**	
	F-250	7.5L; 1-Piece Driveshaft; w/ Outside Snap Rings	A	5	5-213X*	5-1330-1X* 5-1330X**	
	F-250	7.3L; 1-Piece Driveshaft; w/ Inside & Outside Snap Rings	A	9	5-1204X*	5-7438X**	
	F-250	7.5L; 1-Piece Driveshaft; w/ Inside & Outside Snap Rings	A	9	5-1204X*	5-7438X**	
	F-250	7.3L; Auto Trans; 2-Piece Driveshaft; w/ Outside Snap Rings	B	5,7	5-213X*	5-1330-1X* 5-1330X**	
	F-250	7.5L; Auto Trans; 2-Piece Driveshaft; w/ Outside Snap Rings	B	5,7	5-213X*	5-1330-1X* 5-1330X**	
	F-250	7.3L; Standard Trans; 2-Piece Driveshaft; w/ Outside Snap Rings	B	5,7,9	5-178X*	5-1350-1X* 5-1350X**	SPL30-1350XC**
	F-250	7.5L; Standard Trans; 2-Piece Driveshaft; w/ Outside Snap Rings	B	5,7,9	5-178X*	5-1350-1X* 5-1350X**	SPL30-1350XC**
	F-250	7.3L; Auto Trans; 2-Piece Driveshaft; w/ Inside & Outside Snap Rings	B	9	5-1204X*	5-7438X**	
	F-250	7.5L; Auto Trans; 2-Piece Driveshaft; w/ Inside & Outside Snap Rings	B	9	5-1204X*	5-7438X**	
1993-1996	F-250	4.9L; 1-Piece Driveshaft; w/ Outside Snap Rings	A	5	5-213X*	5-1330-1X* 5-1330X**	
	F-250	5.8L; 1-Piece Driveshaft; w/ Outside Snap Rings	A	5	5-213X*	5-1330-1X* 5-1330X**	
	F-250	4.9L; 1-Piece Driveshaft; w/ Inside & Outside Snap Rings	A	9	5-1204X*	5-7438X**	
	F-250	5.8L; 1-Piece Driveshaft; w/ Inside & Outside Snap Rings	A	9	5-1204X*	5-7438X**	
	F-250	4.9L; 2-Piece Driveshaft; w/ Outside Snap Rings	B	5,7	5-213X*	5-1330-1X* 5-1330X**	
	F-250	5.8L; 2-Piece Driveshaft; w/ Outside Snap Rings	B	5,7	5-213X*	5-1330-1X* 5-1330X**	
	F-250	4.9L; 2-Piece Driveshaft; w/ Inside & Outside Snap Rings	B	9	5-1204X*	5-7438X**	
	F-250	5.8L; 2-Piece Driveshaft; w/ Inside & Outside Snap Rings	B	9	5-1204X*	5-7438X**	
1995-1996	F-250	7.3L; 1-Piece Driveshaft; w/ Outside Snap Rings	A	5,9	5-178X*	5-1350-1X* 5-1350X**	SPL30-1350XC**
	F-250	7.5L; 1-Piece Driveshaft; w/ Outside Snap Rings	A	5,9	5-178X*	5-1350-1X* 5-1350X**	SPL30-1350XC**
	F-250	7.3L; 2-Piece Driveshaft; w/ Outside Snap Rings	B	5,7,9	5-178X*	5-1350-1X* 5-1350X**	SPL30-1350XC**
	F-250	7.5L; 2-Piece Driveshaft; w/ Outside Snap Rings	B	5,7,9	5-178X*	5-1350-1X* 5-1350X**	SPL30-1350XC**
1997	F-250	4.6L; 1-Piece Driveshaft; w/ Outside Snap Rings	A	5,9	5-178X*	5-1350-1X* 5-1350X**	SPL30-1350XC**
	F-250	5.4L; 1-Piece Driveshaft; w/ Outside Snap Rings	A	5,9	5-178X*	5-1350-1X* 5-1350X**	SPL30-1350XC**
	F-250	4.6L; 2-Piece Driveshaft; w/ Outside Snap Rings	B	5,7,9	5-178X*	5-1350-1X* 5-1350X**	SPL30-1350XC**
	F-250	5.4L; 2-Piece Driveshaft; w/ Outside Snap Rings	B	5,7,9	5-178X*	5-1350-1X* 5-1350X**	SPL30-1350XC**
1998-1999	F-250	1-Piece Driveshaft	A	5,9	5-178X*	5-1350-1X* 5-1350X**	SPL30-1350XC**

\* GREASEABLE \*\* NON-GREASEABLE



**Ford (Cont'd)**

Year	Model	Description	Fig.	Location	Spicer Part #	SPL (Uncoated) Part #	SPL (Coated) Part #
1998-1999	F-250	2-Piece Driveshaft	B	5,7,9	5-178X*	5-1350-1X* 5-1350X**	SPL30-1350XC**
1999	F-250	Bearing I.D. 1.378"	B	CB	211175X		
	F-250	Bearing I.D. 1.574"	B	CB	211359X		
1999-2000	F-250 Super Duty	Bearing I.D. 1.378"	B	CB	211175X		
1999-2004	F-250 Super Duty	1-Piece Driveshaft; w/ 3.625" O.D. Yoke	A	5,9	5-178X*	5-1350-1X* 5-1350X**	SPL30-1350XC**
	F-250 Super Duty	1-Piece Driveshaft; w/ 4.188" O.D. Yoke	A	5,9	5-160X*	5-1410-1X* 5-1410X**	
	F-250 Super Duty	2-Piece Driveshaft; w/ 3.625" O.D. Yoke	B	5,7,9	5-178X*	5-1350-1X* 5-1350X**	SPL30-1350XC**
	F-250 Super Duty	2-Piece Driveshaft; w/ 4.188" O.D. Yoke	B	5,7,9	5-160X*	5-1410-1X* 5-1410X**	
1999-2007	F-250 Super Duty	Bearing I.D. 1.574"	B	CB	211359X		
2005-2010	F-250 Super Duty	2-Piece Driveshaft	B	5,7,9	5-160X*	5-1410-1X* 5-1410X**	
2016	F-250 Super Duty	V8 6.2L; 1-Piece Driveshaft	A	5,9	5-160X*	5-1410-1X* 5-1410X**	
	F-250 Super Duty	V8 6.7L; 1-Piece Driveshaft	A	5,9	5-160X*	5-1410-1X* 5-1410X**	
	F-250 Super Duty	V8 6.2L; 2-Piece Driveshaft	S	5,7,9	5-160X*	5-1410-1X* 5-1410X**	
	F-250 Super Duty	V8 6.7L; 2-Piece Driveshaft	S	5,7,9	5-160X*	5-1410-1X* 5-1410X**	
2017	F-250 Super Duty	1-Piece Driveshaft	A	5,9	5-160X*	5-1410-1X* 5-1410X**	
	F-250 Super Duty	2-Piece Driveshaft	S	5,7,9	5-160X*	5-1410-1X* 5-1410X**	
1953-1966	F-350	1-Piece Driveshaft	A	5,9	5-153X*	5-1310-1X* 5-1310X**	
	F-350	2-Piece Driveshaft	B	5,7,9	5-153X*	5-1310-1X* 5-1310X**	
1967	F-350	5.8L	B	5	5-153X*	5-1310-1X* 5-1310X**	
	F-350	5.8L	B	7,9	5-134X*		
1967-1974	F-350	3.9L	B	5	5-153X*	5-1310-1X* 5-1310X**	
	F-350	4.9L	B	5	5-153X*	5-1310-1X* 5-1310X**	
	F-350	3.9L	B	7,9	5-134X*		
	F-350	4.9L	B	7,9	5-134X*		
	F-350	5.9L	B	5	5-153X*	5-1310-1X* 5-1310X**	
1968-1974	F-350	6.4L	B	5	5-213X*	5-1330-1X* 5-1330X**	
	F-350	5.9L	B	7,9	5-134X*		
	F-350	6.4L	B	7,9	5-178X*	5-1350-1X* 5-1350X**	SPL30-1350XC**
	F-350	5.0L	B	5	5-153X*	5-1310-1X* 5-1310X**	
1972-1974	F-350	5.0L	B	7,9	5-134X*		

\* GREASEABLE \*\* NON-GREASEABLE

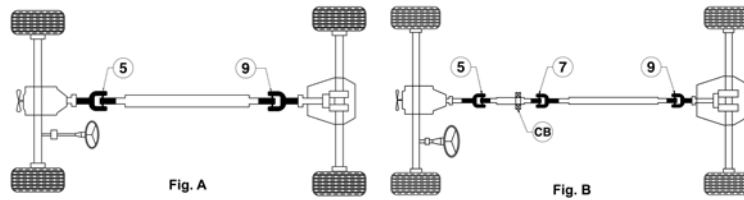
R  
W  
D

**Ford (Cont'd)**

Year	Model	Description	Fig.	Location	Spicer Part #	SPL (Uncoated) Part #	SPL (Coated) Part #	
1973-1974	F-350	7.5L	B	5	5-213X*	5-1330-1X* 5-1330X**		
	F-350	7.5L	B	7,9	5-178X*	5-1350-1X* 5-1350X**	SPL30-1350XC**	
1975-1976	F-350	155.0" WB	B	5	5-153X*	5-1310-1X* 5-1310X**		
	F-350	4.9L; 137.0" WB	B	5,7,9	5-213X*	5-1330-1X* 5-1330X**		
	F-350	5.0L; 137.0" WB	B	5,7,9	5-213X*	5-1330-1X* 5-1330X**		
	F-350	5.9L; 137.0" WB	B	5,7,9	5-213X*	5-1330-1X* 5-1330X**		
	F-350	6.4L; 137.0" WB	B	5,7,9	5-178X*	5-1350-1X* 5-1350X**	SPL30-1350XC**	
	F-350	7.5L; 137.0" WB	B	5,7,9	5-178X*	5-1350-1X* 5-1350X**	SPL30-1350XC**	
	F-350	155.0" WB	B	7,9	5-178X*	5-1350-1X* 5-1350X**	SPL30-1350XC**	
	F-350	155.0" WB	B	7,9	5-178X*	5-1350-1X* 5-1350X**	SPL30-1350XC**	
1975-1983	F-350	Bearing I.D. 1.574"	B	CB	211359X			
1975-1995	F-350	Bearing I.D. 1.378"	B	CB	211175X			
1977-1978	F-350	6.6L; Auto Trans; 1.062" Bearing Cup Dia.	B	5	5-213X*	5-1330-1X* 5-1330X**		
	F-350	7.5L; Auto Trans; 1.062" Bearing Cup Dia.	B	5	5-213X*	5-1330-1X* 5-1330X**		
	F-350	4.9L; 1.062" Bearing Cup Dia.	B	5,7,9	5-213X*	5-1330-1X* 5-1330X**		
	F-350	5.0L; 1.062" Bearing Cup Dia.	B	5,7,9	5-213X*	5-1330-1X* 5-1330X**		
	F-350	5.8L; 1.062" Bearing Cup Dia.	B	5,7,9	5-213X*	5-1330-1X* 5-1330X**		
	F-350	6.6L; Standard Trans; 1.188" Bearing Cup Dia.	B	5,7,9	5-178X*	5-1350-1X* 5-1350X**	SPL30-1350XC**	
	F-350	7.5L; Standard Trans; 1.188" Bearing Cup Dia.	B	5,7,9	5-178X*	5-1350-1X* 5-1350X**	SPL30-1350XC**	
	F-350	4.9L; 1.188" Bearing Cup Dia.	B	7,9	5-178X*	5-1350-1X* 5-1350X**	SPL30-1350XC**	
	F-350	5.0L; 1.188" Bearing Cup Dia.	B	7,9	5-178X*	5-1350-1X* 5-1350X**	SPL30-1350XC**	
	F-350	5.8L; 1.188" Bearing Cup Dia.	B	7,9	5-178X*	5-1350-1X* 5-1350X**	SPL30-1350XC**	
	F-350	6.6L; Auto Trans; 1.188" Bearing Cup Dia.	B	7,9	5-178X*	5-1350-1X* 5-1350X**	SPL30-1350XC**	
	F-350	7.5L; Auto Trans; 1.188" Bearing Cup Dia.	B	7,9	5-178X*	5-1350-1X* 5-1350X**	SPL30-1350XC**	
	1979	F-350		B	5	5-213X*	5-1330-1X* 5-1330X**	
		F-350	1.062" Bearing Cup Dia.	B	7	5-213X*	5-1330-1X* 5-1330X**	
F-350		1.188" Bearing Cup Dia.	B	7,9	5-178X*	5-1350-1X* 5-1350X**	SPL30-1350XC**	
F-350		1.125" Bearing Cup Dia.	B	9	5-1204X*	5-7438X**		
1980-1981	F-350	2-Piece Driveshaft	B	5,7	5-213X*	5-1330-1X* 5-1330X**		
1980-1983	F-350	2-Piece Driveshaft	B	9	5-1204X*	5-7438X**		
1980-1986	F-350	1-Piece Driveshaft	A	5	5-213X*	5-1330-1X* 5-1330X**		
	F-350	1-Piece Driveshaft	A	9	5-1204X*	5-7438X**		
1982-1983	F-350	2-Piece Driveshaft; w/ U-Bolts	B	5	5-1204X*	5-7438X**		
	F-350	2-Piece Driveshaft; w/o U-Bolts	B	5	5-213X*	5-1330-1X* 5-1330X**		
	F-350	2-Piece Driveshaft	B	7	5-213X*	5-1330-1X* 5-1330X**		
1984-1986	F-350	Standard Trans; 2-Piece Driveshaft	B	5	5-1204X*	5-7438X**		

\* GREASEABLE \*\* NON-GREASEABLE





**Ford (Cont'd)**

Year	Model	Description	Fig.	Location	Spicer Part #	SPL (Uncoated) Part #	SPL (Coated) Part #
1984-1986	F-350	Auto Trans; 2-Piece Driveshaft	B	5,7	5-213X*	5-1330-1X* 5-1330X**	
	F-350	Standard Trans; 2-Piece Driveshaft	B	7	5-213X*	5-1330-1X* 5-1330X**	
	F-350	Auto Trans; 2-Piece Driveshaft	B	9	5-1204X*	5-7438X**	
	F-350	Standard Trans; 2-Piece Driveshaft	B	9	5-1204X*	5-7438X**	
1987	F-350	Auto Trans; 3-Speed; 1-Piece Driveshaft	A	5	5-213X*	5-1330-1X* 5-1330X**	
	F-350	Standard Trans; 5-Speed; 1-Piece Driveshaft	A	5,9	5-178X*	5-1350-1X* 5-1350X**	SPL30-1350XC**
	F-350	Auto Trans; 3-Speed; 1-Piece Driveshaft	A	9	5-1204X*	5-7438X**	
	F-350	Auto Trans; 3-Speed; 2-Piece Driveshaft; w/ Outside Snap Rings	B	5,7	5-213X*	5-1330-1X* 5-1330X**	
1988	F-350	Standard Trans; 5-Speed; 2-Piece Driveshaft; w/ Outside Snap Rings	B	5,7,9	5-178X*	5-1350-1X* 5-1350X**	SPL30-1350XC**
	F-350	Auto Trans; 3-Speed; 1-Piece Driveshaft; 1.062" Bearing Cup Dia.	A	5	5-213X*	5-1330-1X* 5-1330X**	
	F-350	Standard Trans; 5-Speed; 1-Piece Driveshaft; 1.188" Bearing Cup Dia.	A	5,9	5-178X*	5-1350-1X* 5-1350X**	SPL30-1350XC**
	F-350	Auto Trans; 3-Speed; 1-Piece Driveshaft; 1.125" Bearing Cup Dia.	A	9	5-1204X*	5-7438X**	
	F-350	Standard Trans; 5-Speed; 2-Piece Driveshaft; w/ Outside Snap Rings; 1.188" Bearing Cup Dia.	B	5,7,9	5-178X*	5-1350-1X* 5-1350X**	SPL30-1350XC**
	F-350	Standard Trans; 5-Speed; 2-Piece Driveshaft; w/ Inside & Outside Snap Rings; 1.125" Bearing Cup Dia.	B	5,9	5-1204X*	5-7438X**	
1989	F-350	Standard Trans; 5-Speed; 2-Piece Driveshaft; w/ Outside Snap Rings; 1.062" Bearing Cup Dia.	B	7	5-213X*	5-1330-1X* 5-1330X**	
	F-350	3-Speed; 1-Piece Driveshaft	A	5	5-213X*	5-1330-1X* 5-1330X**	
	F-350	4.9L; 133.0" WB; Standard Trans; 5-Speed; 1-Piece Driveshaft	A	5	5-213X*	5-1330-1X* 5-1330X**	
	F-350	4-Speed; 1-Piece Driveshaft	A	5	5-213X*	5-1330-1X* 5-1330X**	
	F-350	7.3L; Standard Trans; 5-Speed; 1-Piece Driveshaft	A	5,9	5-178X*	5-1350-1X* 5-1350X**	SPL30-1350XC**
	F-350	7.5L; Standard Trans; 5-Speed; 1-Piece Driveshaft	A	5,9	5-178X*	5-1350-1X* 5-1350X**	SPL30-1350XC**
	F-350	3-Speed; 1-Piece Driveshaft	A	9	5-1204X*	5-7438X**	
	F-350	4.9L; 133.0" WB; Standard Trans; 5-Speed; 1-Piece Driveshaft	A	9	5-1204X*	5-7438X**	
	F-350	4-Speed; 1-Piece Driveshaft	A	9	5-1204X*	5-7438X**	
	F-350	4.9L; 137.0" WB; Standard Trans; 5-Speed; 2-Piece Driveshaft	B	5	5-1204X*	5-7438X**	
	F-350	4.9L; 160.8" WB; Standard Trans; 5-Speed; 2-Piece Driveshaft	B	5	5-1204X*	5-7438X**	
	F-350	4.9L; 168.4" WB; Standard Trans; 5-Speed; 2-Piece Driveshaft	B	5	5-1204X*	5-7438X**	
	F-350	5.8L; 133.0" WB; Standard Trans; 5-Speed; 2-Piece Driveshaft	B	5	5-213X*	5-1330-1X* 5-1330X**	

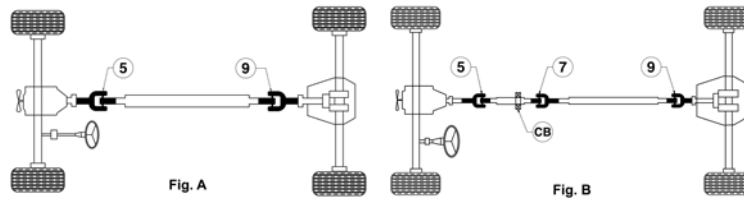
\* GREASEABLE \*\* NON-GREASEABLE

R  
W  
D

**Ford (Cont'd)**

Year	Model	Description	Fig.	Location	Spicer Part #	SPL (Uncoated) Part #	SPL (Coated) Part #
1989	F-350	5.8L; 137.0" WB; Standard Trans; 5-Speed; 2-Piece Driveshaft	B	5	5-1204X*	5-7438X**	
	F-350	5.8L; 160.8" WB; Standard Trans; 5-Speed; 2-Piece Driveshaft	B	5	5-1204X*	5-7438X**	
	F-350	5.8L; 168.4" WB; Standard Trans; 5-Speed; 2-Piece Driveshaft	B	5	5-1204X*	5-7438X**	
	F-350	3-Speed; 2-Piece Driveshaft	B	5,7,9	5-178X*	5-1350-1X* 5-1350X**	SPL30-1350XC**
	F-350	4-Speed; 2-Piece Driveshaft	B	5,7,9	5-178X*	5-1350-1X* 5-1350X**	SPL30-1350XC**
	F-350	5.8L; 137.0" WB; Standard Trans; 5-Speed; 2-Piece Driveshaft	B	7,9	5-178X*	5-1350-1X* 5-1350X**	SPL30-1350XC**
	F-350	5.8L; 160.8" WB; Standard Trans; 5-Speed; 2-Piece Driveshaft	B	7,9	5-178X*	5-1350-1X* 5-1350X**	SPL30-1350XC**
	F-350	5.8L; 168.4" WB; Standard Trans; 5-Speed; 2-Piece Driveshaft	B	7,9	5-178X*	5-1350-1X* 5-1350X**	SPL30-1350XC**
	F-350	5.8L; 133.0" WB; Standard Trans; 5-Speed; 2-Piece Driveshaft	B	9	5-1204X*	5-7438X**	
1990-1991	F-350	1-Piece Driveshaft; 1.062" Bearing Cup Dia.; w/ Outside Snap Rings	A	5	5-213X*	5-1330-1X* 5-1330X**	
	F-350	1-Piece Driveshaft; w/ Inside & Outside Snap Rings	A	9	5-1204X*	5-7438X**	
1990-1994	F-350	2-Piece Driveshaft; w/ Inside & Outside Snap Rings	B	5,9	5-1204X*	5-7438X**	
1992-1993	F-350	1-Piece Driveshaft; 1.062" Bearing Cup Dia.; w/ Outside Snap Rings	A	5	5-178X*	5-1350-1X* 5-1350X**	SPL30-1350XC**
	F-350	1-Piece Driveshaft; w/ Inside & Outside Snap Rings	A	9	5-213X*	5-1330-1X* 5-1330X**	
	F-350	2-Piece Driveshaft; 1.062" Bearing Cup Dia.; w/ Outside Snap Rings	B	5	5-1204X*	5-7438X**	
	F-350	2-Piece Driveshaft; 1.188" Bearing Cup Dia.; w/ Outside Snap Rings	B	5	5-1204X*	5-7438X**	
	F-350	2-Piece Driveshaft; 1.062" Bearing Cup Dia.; w/ Outside Snap Rings	B	7	5-213X*	5-1330-1X* 5-1330X**	
	F-350	2-Piece Driveshaft; 1.188" Bearing Cup Dia.; w/ Outside Snap Rings	B	7,9	5-178X*	5-1350-1X* 5-1350X**	SPL30-1350XC**
1994	F-350	1-Piece Driveshaft; 1.062" Bearing Cup Dia.; w/ Outside Snap Rings	A	5	5-213X*	5-1330-1X* 5-1330X**	
	F-350	1-Piece Driveshaft; w/ Inside & Outside Snap Rings	A	9	5-1204X*	5-7438X**	
	F-350	2-Piece Driveshaft; 1.062" Bearing Cup Dia.; w/ Outside Snap Rings	B	5,7	5-213X*	5-1330-1X* 5-1330X**	
	F-350	2-Piece Driveshaft; 1.188" Bearing Cup Dia.; w/ Outside Snap Rings	B	5,7,9	5-178X*	5-1350-1X* 5-1350X**	SPL30-1350XC**
1995-1996	F-350	4.9L; 1-Piece Driveshaft	A	5	5-213X*	5-1330-1X* 5-1330X**	
	F-350	5.8L; 1-Piece Driveshaft; 1.062" Bearing Cup Dia.	A	5	5-213X*	5-1330-1X* 5-1330X**	
	F-350	5.8L; 1-Piece Driveshaft; 1.188" Bearing Cup Dia.	A	5,9	5-178X*	5-1350-1X* 5-1350X**	SPL30-1350XC**
	F-350	4.9L; 1-Piece Driveshaft	A	9	5-1204X*	5-7438X**	
	F-350	5.8L; 1-Piece Driveshaft; 1.125" Bearing Cup Dia.	A	9	5-1204X*	5-7438X**	
	F-350	4.9L; 2-Piece Driveshaft	B	5,7	5-213X*	5-1330-1X* 5-1330X**	
	F-350	5.8L; 2-Piece Driveshaft; 1.062" Bearing Cup Dia.	B	5,7	5-213X*	5-1330-1X* 5-1330X**	
	F-350	5.8L; 2-Piece Driveshaft; 1.188" Bearing Cup Dia.	B	5,7,9	5-178X*	5-1350-1X* 5-1350X**	SPL30-1350XC**
	F-350	4.9L; 2-Piece Driveshaft	B	9	5-1204X*	5-7438X**	
	F-350	5.8L; 2-Piece Driveshaft; 1.125" Bearing Cup Dia.	B	9	5-1204X*	5-7438X**	
1995-1997	F-350	7.3L; 1-Piece Driveshaft	A	5,9	5-178X*	5-1350-1X* 5-1350X**	SPL30-1350XC**

\* GREASEABLE \*\* NON-GREASEABLE



**Ford (Cont'd)**

Year	Model	Description	Fig.	Location	Spicer Part #	SPL (Uncoated) Part #	SPL (Coated) Part #
1995-1997	F-350	7.5L; 1-Piece Driveshaft	A	5,9	5-178X*	5-1350-1X* 5-1350X**	SPL30-1350XC**
	F-350	7.3L; 2-Piece Driveshaft	B	5,7,9	5-178X*	5-1350-1X* 5-1350X**	SPL30-1350XC**
	F-350	7.5L; 2-Piece Driveshaft	B	5,7,9	5-178X*	5-1350-1X* 5-1350X**	SPL30-1350XC**
1997	F-350	5.8L; 133.0" WB; Auto Trans; 1-Piece Driveshaft	A	5	5-213X*	5-1330-1X* 5-1330X**	
	F-350	5.8L; 133.0" WB; Auto Trans; 1-Piece Driveshaft	A	9	5-1204X*	5-7438X**	
	F-350	5.8L; 137.0" WB; Standard Trans; 2-Piece Driveshaft	B	5	5-1204X*	5-7438X**	
	F-350	5.8L; 137.0" WB; Auto Trans; 2-Piece Driveshaft	B	5,7,9	5-178X*	5-1350-1X* 5-1350X**	SPL30-1350XC**
	F-350	5.8L; 168.4" WB; Auto Trans; 2-Piece Driveshaft	B	5,7,9	5-178X*	5-1350-1X* 5-1350X**	SPL30-1350XC**
	F-350	5.8L; 137.0" WB; Standard Trans; 2-Piece Driveshaft	B	7,9	5-213X*	5-1330-1X* 5-1330X**	
1999-2002	F-350 Super Duty	Bearing I.D. 1.378"	B	CB	211175X		
1999-2004	F-350 Super Duty	1-Piece Driveshaft; w/ 3.625" O.D. Yoke	A	5,9	5-178X*	5-1350-1X* 5-1350X**	SPL30-1350XC**
	F-350 Super Duty	1-Piece Driveshaft; w/ 4.188" O.D. Yoke	A	5,9	5-160X*	5-1410-1X* 5-1410X**	
	F-350 Super Duty	2-Piece Driveshaft; w/ 3.625" O.D. Yoke	B	5,7,9	5-178X*	5-1350-1X* 5-1350X**	SPL30-1350XC**
	F-350 Super Duty	2-Piece Driveshaft; w/ 4.188" O.D. Yoke	B	5,7,9	5-160X*	5-1410-1X* 5-1410X**	
2000-2014	F-350 Super Duty	Bearing I.D. 1.574"	B	CB	211359X		
2005-2006	F-350 Super Duty	1-Piece Driveshaft	A	5,9	5-160X*	5-1410-1X* 5-1410X**	
	F-350 Super Duty	2-Piece Driveshaft	B	5,7,9	5-160X*	5-1410-1X* 5-1410X**	
2007-2013	F-350 Super Duty	Crew Cab; 1-Piece Driveshaft	A	5,9	5-160X*	5-1410-1X* 5-1410X**	
	F-350 Super Duty	Extended Cab; 1-Piece Driveshaft	A	5,9	5-160X*	5-1410-1X* 5-1410X**	
	F-350 Super Duty	Standard Cab; 1-Piece Driveshaft	A	5,9	5-160X*	5-1410-1X* 5-1410X**	
	F-350 Super Duty	Cab & Chassis; 2-Piece Driveshaft	B	5,7,9	5-188X*	SPL55-1X* SPL55X**	
	F-350 Super Duty	Crew Cab; 2-Piece Driveshaft	B	5,7,9	5-160X*	5-1410-1X* 5-1410X**	
	F-350 Super Duty	Extended Cab; 2-Piece Driveshaft	B	5,7,9	5-160X*	5-1410-1X* 5-1410X**	
	F-350 Super Duty	Standard Cab; 2-Piece Driveshaft	B	5,7,9	5-160X*	5-1410-1X* 5-1410X**	
2014-2015	F-350 Super Duty	Exc. Cab & Chassis; 1-Piece Driveshaft	A	5,9	5-160X*	5-1410-1X* 5-1410X**	
2016	F-350 Super Duty	V8 6.2L; Exc. Cab & Chassis; 1-Piece Driveshaft	A	5,9	5-160X*	5-1410-1X* 5-1410X**	
	F-350 Super Duty	V8 6.7L; Exc. Cab & Chassis; 1-Piece Driveshaft	A	5,9	5-160X*	5-1410-1X* 5-1410X**	

\* GREASEABLE \*\* NON-GREASEABLE

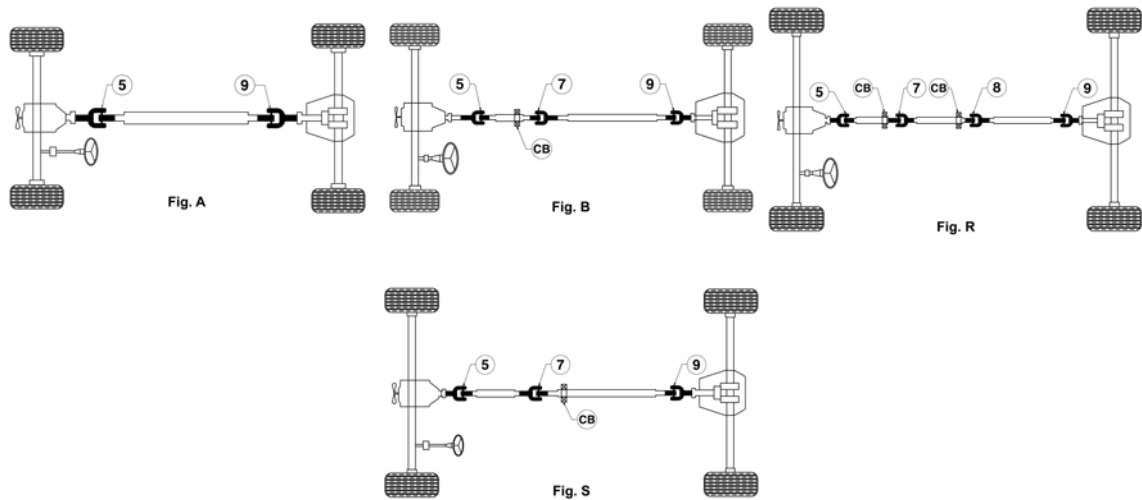
R  
W  
D

**Ford (Cont'd)**

Year	Model	Description	Fig.	Location	Spicer Part #	SPL (Uncoated) Part #	SPL (Coated) Part #
2016	F-350 Super Duty	V8 6.2L; Exc. Cab & Chassis; 2-Piece Driveshaft	S	5,7,9	5-160X*	5-1410-1X* 5-1410X**	
	F-350 Super Duty	V8 6.7L; Exc. Cab & Chassis; 2-Piece Driveshaft	S	5,7,9	5-160X*	5-1410-1X* 5-1410X**	
2017	F-350 Super Duty	Exc. King Ranch; Exc. Cab & Chassis; 1-Piece Driveshaft	A	5,9	5-160X*	5-1410-1X* 5-1410X**	
	F-350 Super Duty	Exc. Cab & Chassis; 2-Piece Driveshaft	S	5,7,9	5-160X*	5-1410-1X* 5-1410X**	
1999-2017	F-450 Super Duty	3-Piece Driveshaft	R	5,7,8,9	5-188X*	SPL55-1X* SPL55X**	
	F-450 Super Duty	2-Piece Driveshaft	S	5,7,9	5-188X*	SPL55-1X* SPL55X**	
1975-1977	F-500	Bearing I.D. 1.378"	B	CB	211175X		
	F-500	Bearing I.D. 1.574"	B	CB	211359X		
1989-1996	F53		B	5,7,9	5-160X*	5-1410-1X* 5-1410X**	
1999	F53		B	5,7,9	5-188X*	SPL55-1X* SPL55X**	
2011-2017	F53	2-Piece Driveshaft	S	5,7,9	5-188X*	SPL55-1X* SPL55X**	
1999-2017	F-550 Super Duty	3-Piece Driveshaft	R	5,7,8,9	5-188X*	SPL55-1X* SPL55X**	
	F-550 Super Duty	2-Piece Driveshaft	S	5,7,9	5-188X*	SPL55-1X* SPL55X**	
1988-1997	F59		B	5,7,9	5-160X*	5-1410-1X* 5-1410X**	
2014-2017	F59	2-Piece Driveshaft	S	5,7,9	5-188X*	SPL55-1X* SPL55X**	
1995-1998	F700	Complete Shaft Assembly	B	CB	210873-1X		
1973	M-400	Bearing I.D. 1.574"	B	CB	211359X		
1974	M-450	Bearing I.D. 1.574"	B	CB	211359X		
1957-1973	P-100	Parcel Delivery	B	5,7,9	5-153X*	5-1310-1X* 5-1310X**	
1960-1964	P-100	2.4L; Exc. Parcel Delivery	B	5,7,9	5-134X*		
	P-100	3.6L; Exc. Parcel Delivery	B	5,7,9	5-134X*		
1968-1970	P-100	2.8L; Exc. Parcel Delivery	B	5,7,9	5-134X*		
	P-100	3.9L; Exc. Parcel Delivery	B	5,7,9	5-134X*		
1971-1973	P-100	Exc. Parcel Delivery	B	5,7,9	5-134X*		
1975-1976	P-400	Bearing I.D. 1.574"	B	CB	211359X		
1975-1977	P-500	Bearing I.D. 1.574"	B	CB	211359X		
1965-1974	Ranchero	w/ 3.500" O.D. Yoke	A	5	5-1200X*		
	Ranchero	w/ 3.875" O.D. Yoke	A	5	5-1203X*		
	Ranchero	w/ 3.500" O.D. Yoke	A	9		5-7439X**	
	Ranchero	w/ 3.875" O.D. Yoke	A	9	5-1204X*	5-7438X**	
1975-1977	Ranchero	5.8L; w/ 3.500" O.D. Yoke	A	5	5-153X*	5-1310-1X* 5-1310X**	
	Ranchero	5.8L; w/ 3.875" O.D. Yoke	A	5	5-213X*	5-1330-1X* 5-1330X**	
	Ranchero	6.6L; 7.5L	A	5	5-213X*	5-1330-1X* 5-1330X**	
	Ranchero	5.8L; w/ 3.500" O.D. Yoke	A	9		5-7439X**	
	Ranchero	5.8L; w/ 3.875" O.D. Yoke	A	9	5-1204X*	5-7438X**	
	Ranchero	6.6L; 7.5L	A	9	5-1204X*	5-7438X**	
	Ranchero	5.0L	A	5	5-153X*	5-1310-1X* 5-1310X**	
	Ranchero	5.0L	A	9		5-7439X**	
1978-1979	Ranchero		A	5	5-213X*	5-1330-1X* 5-1330X**	
	Ranchero		A	9	5-1204X*	5-7438X**	
1983-1985	Ranger		A	5,9	5-153X*	5-1310-1X* 5-1310X**	
1986-1987	Ranger	Extended Cab; 2-Piece Driveshaft	B	5,7,9	5-443X*		

\* GREASEABLE \*\* NON-GREASEABLE

RWD



**Ford (Cont'd)**

Year	Model	Description	Fig.	Location	Spicer Part #	SPL (Uncoated) Part #	SPL (Coated) Part #
1988-1989	Ranger	Standard Cab; 1-Piece Driveshaft; w/o U-Bolts	A	5	5-153X*	5-1310-1X* 5-1310X**	
	Ranger	Standard Cab; 1-Piece Driveshaft; w/o U-Bolts	A	9		5-7439X**	
	Ranger	Extended Cab; 2-Piece Driveshaft; w/ 2.750" O.D. Yoke	B	5	5-443X*		
	Ranger	Extended Cab; 2-Piece Driveshaft; w/ 3.500" O.D. Yoke	B	5	5-153X*	5-1310-1X* 5-1310X**	
1990-1997	Ranger	Standard Cab; 1-Piece Driveshaft	A	5,9	5-153X*	5-1310-1X* 5-1310X**	
	Ranger	Extended Cab; 2-Piece Driveshaft	B	5,7,9	5-153X*	5-1310-1X* 5-1310X**	
1995-1997	Ranger	125.0" WB	B	CB	211872-1X		
1998-2011	Ranger		A	5,9	5-213X*	5-1330-1X* 5-1330X**	
2015-2017	Transit-150	2-Piece Driveshaft; Dual Rear Wheels	S	5,7,9	5-160X*	5-1410-1X* 5-1410X**	
	Transit-150	2-Piece Driveshaft; Single Rear Wheels	S	5,7,9	5-178X*	5-1350-1X* 5-1350X**	SPL30-1350XC**
2015-2017	Transit-250	3-Piece Driveshaft; Dual Rear Wheels	R	5,7,8,9	5-160X*	5-1410-1X* 5-1410X**	
	Transit-250	3-Piece Driveshaft; Single Rear Wheels	R	5,7,8,9	5-178X*	5-1350-1X* 5-1350X**	SPL30-1350XC**
	Transit-250	2-Piece Driveshaft; Dual Rear Wheels	S	5,7,9	5-160X*	5-1410-1X* 5-1410X**	
	Transit-250	2-Piece Driveshaft; Single Rear Wheels	S	5,7,9	5-178X*	5-1350-1X* 5-1350X**	SPL30-1350XC**
2015-2017	Transit-350	3-Piece Driveshaft; Dual Rear Wheels	R	5,7,8,9	5-160X*	5-1410-1X* 5-1410X**	
	Transit-350	3-Piece Driveshaft; Single Rear Wheels	R	5,7,8,9	5-178X*	5-1350-1X* 5-1350X**	SPL30-1350XC**
	Transit-350	2-Piece Driveshaft; Dual Rear Wheels	S	5,7,9	5-160X*	5-1410-1X* 5-1410X**	
	Transit-350	2-Piece Driveshaft; Single Rear Wheels	S	5,7,9	5-178X*	5-1350-1X* 5-1350X**	SPL30-1350XC**
2015-2017	Transit-350 HD	3-Piece Driveshaft; Dual Rear Wheels	R	5,7,8,9	5-160X*	5-1410-1X* 5-1410X**	
	Transit-350 HD	3-Piece Driveshaft; Single Rear Wheels	R	5,7,8,9	5-178X*	5-1350-1X* 5-1350X**	SPL30-1350XC**
	Transit-350 HD	2-Piece Driveshaft; Dual Rear Wheels	S	5,7,9	5-160X*	5-1410-1X* 5-1410X**	

\* GREASEABLE \*\* NON-GREASEABLE

**Ford (Cont'd)**

Year	Model	Description	Fig.	Location	Spicer Part #	SPL (Uncoated) Part #	SPL (Coated) Part #
2015-2017	Transit-350 HD	2-Piece Driveshaft; Single Rear Wheels	S	5,7,9	5-178X*	5-1350-1X* 5-1350X**	SPL30-1350XC**

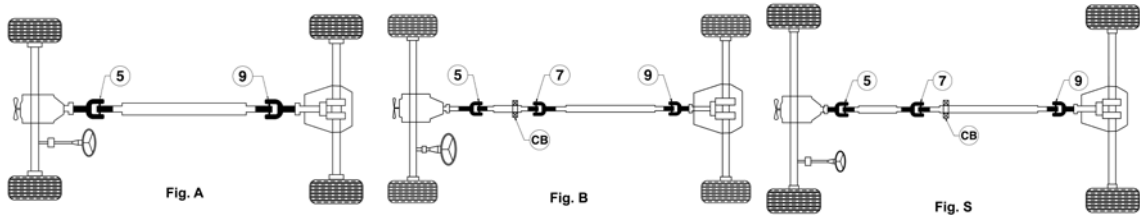
**Geo**

Year	Model	Description	Fig.	Location	Spicer Part #	SPL (Uncoated) Part #	SPL (Coated) Part #
1989-1997	Tracker		A	5,9	5-1503X*		

**GMC**

Year	Model	Description	Fig.	Location	Spicer Part #	SPL (Uncoated) Part #	SPL (Coated) Part #
1960-1962	1000 Series		B	CB	210527X		
1960-1965	1000 Series	1-Piece Driveshaft	A	5,9	5-153X*	5-1310-1X* 5-1310X**	
	1000 Series	2-Piece Driveshaft; 1.062" Bearing Cup Dia.	B	5	5-153X*	5-1310-1X* 5-1310X**	
	1000 Series	2-Piece Driveshaft; 1.188" Bearing Cup Dia.	B	5	5-178X*	5-1350-1X* 5-1350X**	SPL30-1350XC**
	1000 Series	2-Piece Driveshaft	B	7,9	5-153X*	5-1310-1X* 5-1310X**	
1954	100-24	Standard Trans; 4-Speed	B	5	5-178X*	5-1350-1X* 5-1350X**	SPL30-1350XC**
	100-24	Standard Trans; 3-Speed	B	5,7,9	5-153X*	5-1310-1X* 5-1310X**	
	100-24	Standard Trans; 4-Speed	B	7,9	5-153X*	5-1310-1X* 5-1310X**	
1951-1953	150		B	7,9	5-178X*	5-1350-1X* 5-1350X**	SPL30-1350XC**
1955-1959	150	Standard Trans; 3-Speed	A	5	5-153X*	5-1310-1X* 5-1310X**	
	150	Auto Trans	A	5,9	5-178X*	5-1350-1X* 5-1350X**	SPL30-1350XC**
	150	Standard Trans; 4-Speed	A	5,9	5-178X*	5-1350-1X* 5-1350X**	SPL30-1350XC**
1960-1962	1500 Series		B	CB	210527X		
1960-1965	1500 Series	1-Piece Driveshaft	A	5,9	5-153X*	5-1310-1X* 5-1310X**	
	1500 Series	2-Piece Driveshaft; 1.062" Bearing Cup Dia.	B	5	5-153X*	5-1310-1X* 5-1310X**	
	1500 Series	2-Piece Driveshaft; 1.188" Bearing Cup Dia.	B	5	5-178X*	5-1350-1X* 5-1350X**	SPL30-1350XC**
	1500 Series	2-Piece Driveshaft	B	7,9	5-153X*	5-1310-1X* 5-1310X**	
1951-1953	150-22		B	7,9	5-178X*	5-1350-1X* 5-1350X**	SPL30-1350XC**
1953	150-24		B	7,9	5-178X*	5-1350-1X* 5-1350X**	SPL30-1350XC**
1995-2002	B7	1480/148N Series	B	CB	210866-1X		
1975-1976	C15	1-Piece Driveshaft; 1.062" Bearing Cup Dia.	A	5	5-153X*	5-1310-1X* 5-1310X**	
	C15	1-Piece Driveshaft; 1.188" Bearing Cup Dia.	A	5	5-178X*	5-1350-1X* 5-1350X**	SPL30-1350XC**
	C15	1-Piece Driveshaft	A	9	5-153X*	5-1310-1X* 5-1310X**	
1975-1978	C15	2-Piece Driveshaft; 1.062" Bearing Cup Dia.	B	5	5-153X*	5-1310-1X* 5-1310X**	
	C15	2-Piece Driveshaft; 1.188" Bearing Cup Dia.	B	5	5-178X*	5-1350-1X* 5-1350X**	SPL30-1350XC**
	C15	2-Piece Driveshaft	B	7,9	5-153X*	5-1310-1X* 5-1310X**	
	C15		B	CB	210527X		
1977-1978	C15	1-Piece Driveshaft	A	5,9	5-153X*	5-1310-1X* 5-1310X**	
1975-1976	C15 Suburban	1-Piece Driveshaft; 1.062" Bearing Cup Dia.	A	5	5-153X*	5-1310-1X* 5-1310X**	

\* GREASEABLE \*\* NON-GREASEABLE



**GMC (Cont'd)**

Year	Model	Description	Fig.	Location	Spicer Part #	SPL (Uncoated) Part #	SPL (Coated) Part #
1975-1976	C15 Suburban	1-Piece Driveshaft; 1.188" Bearing Cup Dia.	A	5	5-178X*	5-1350-1X* 5-1350X**	SPL30-1350XC**
	C15 Suburban	1-Piece Driveshaft	A	9	5-153X*	5-1310-1X* 5-1310X**	
1975-1978	C15 Suburban	2-Piece Driveshaft; 1.062" Bearing Cup Dia.	B	5	5-153X*	5-1310-1X* 5-1310X**	
	C15 Suburban	2-Piece Driveshaft; 1.188" Bearing Cup Dia.	B	5	5-178X*	5-1350-1X* 5-1350X**	SPL30-1350XC**
	C15 Suburban	2-Piece Driveshaft	B	7,9	5-153X*	5-1310-1X* 5-1310X**	
	C15 Suburban		B	CB	210527X		
1977-1978	C15 Suburban	1-Piece Driveshaft	A	5,9	5-153X*	5-1310-1X* 5-1310X**	
1967	C15/C1500 Pickup	1-Piece Driveshaft	A	5,9	5-153X*	5-1310-1X* 5-1310X**	
1967-1974	C15/C1500 Pickup		B	CB	210527X		
1968-1969	C15/C1500 Pickup	2-Piece Driveshaft; 1.062" Bearing Cup Dia.; 1.219" O.D. Yoke	B	5,9	5-153X*	5-1310-1X* 5-1310X**	
	C15/C1500 Pickup	2-Piece Driveshaft; 1.062" Bearing Cup Dia.; 1.625" O.D. Yoke	B	5,9	5-213X*	5-1330-1X* 5-1330X**	
	C15/C1500 Pickup	2-Piece Driveshaft; 1.062" Bearing Cup Dia.	B	7	5-153X*	5-1310-1X* 5-1310X**	
1968-1970	C15/C1500 Pickup	2-Piece Driveshaft; 1.188" Bearing Cup Dia.	B	5,7,9	5-178X*	5-1350-1X* 5-1350X**	SPL30-1350XC**
1968-1974	C15/C1500 Pickup	1-Piece Driveshaft; 1.062" Bearing Cup Dia.	A	5	5-153X*	5-1310-1X* 5-1310X**	
	C15/C1500 Pickup	1-Piece Driveshaft; 1.188" Bearing Cup Dia.	A	5	5-178X*	5-1350-1X* 5-1350X**	SPL30-1350XC**
	C15/C1500 Pickup	1-Piece Driveshaft	A	9	5-153X*	5-1310-1X* 5-1310X**	
1970	C15/C1500 Pickup	2-Piece Driveshaft; 1.062" Bearing Cup Dia.	B	5,7,9	5-153X*	5-1310-1X* 5-1310X**	
1971-1974	C15/C1500 Pickup	2-Piece Driveshaft; 1.062" Bearing Cup Dia.	B	5	5-153X*	5-1310-1X* 5-1310X**	
	C15/C1500 Pickup	2-Piece Driveshaft; 1.188" Bearing Cup Dia.	B	5	5-178X*	5-1350-1X* 5-1350X**	SPL30-1350XC**
	C15/C1500 Pickup	2-Piece Driveshaft	B	7,9	5-153X*	5-1310-1X* 5-1310X**	
1968-1974	C15/C1500 Suburban	2-Piece Driveshaft	B	5,7,9	5-153X*	5-1310-1X* 5-1310X**	
	C15/C1500 Suburban		B	CB	210527X		
1974	C15/C1500 Suburban	1-Piece Driveshaft; 1.062" Bearing Cup Dia.	A	5	5-153X*	5-1310-1X* 5-1310X**	
	C15/C1500 Suburban	1-Piece Driveshaft; 1.188" Bearing Cup Dia.	A	5	5-178X*	5-1350-1X* 5-1350X**	SPL30-1350XC**
1979-1981	C1500	1.062" Bearing Cup Dia.; w/ Outside Snap Rings	B	5,7,9	5-153X*	5-1310-1X* 5-1310X**	
	C1500	1.188" Bearing Cup Dia.; w/ Outside Snap Rings	B	5,7,9	5-178X*	5-1350-1X* 5-1350X**	SPL30-1350XC**
	C1500	w/ Inside Snap Rings	B	5,7,9	5-3147X*	5-795X**	
	C1500	w/ Inside & Outside Snap Rings	B	9	5-212X*	5-793X**	
1982-1986	C1500	2-Piece Driveshaft; w/ Inside Snap Rings	B	5,7,9	5-3147X*	5-795X**	

\* GREASEABLE \*\* NON-GREASEABLE

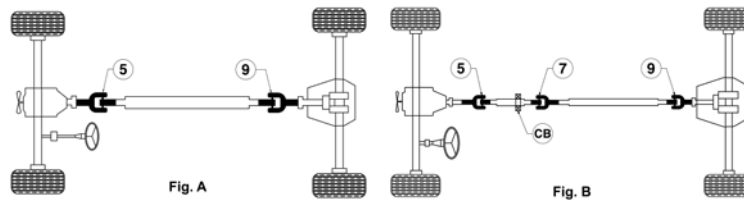
RWD

**GMC (Cont'd)**

Year	Model	Description	Fig.	Location	Spicer Part #	SPL (Uncoated) Part #	SPL (Coated) Part #
1982-1986	C1500	2-Piece Driveshaft; w/ Outside Snap Rings	B	5,7,9	5-178X*	5-1350-1X* 5-1350X**	SPL30-1350XC**
1988	C1500	Standard Cab; 1-Piece Driveshaft; w/ Inside Snap Rings; w/ Steel Driveshaft	A	5	5-3147X*	5-795X**	
	C1500	Standard Cab; 1-Piece Driveshaft; w/ Outside Snap Rings; w/ Aluminum Driveshaft	A	5		5-3614X**	
	C1500	Standard Cab; 1-Piece Driveshaft; w/ Outside Snap Rings; w/ Steel Driveshaft	A	5	5-213X*	5-1330-1X* 5-1330X**	
	C1500	Standard Cab; 1-Piece Driveshaft; w/ Inside & Outside Snap Rings	A	9	5-212X*	5-793X**	
	C1500	Standard Cab; 1-Piece Driveshaft; w/ Inside Snap Rings	A	9	5-3147X*	5-795X**	
	C1500	Extended Cab; Auto Trans; 2-Piece Driveshaft	B	5	5-3147X*	5-795X**	
	C1500	Extended Cab; Standard Trans; 5-Speed; 2-Piece Driveshaft; w/ Outside Snap Rings	B	5,7	5-213X*	5-1330-1X* 5-1330X**	
	C1500	Extended Cab; Standard Trans; 5-Speed; 2-Piece Driveshaft; w/ Inside Snap Rings	B	5,7,9	5-3147X*	5-795X**	
	C1500	Extended Cab; Auto Trans; 2-Piece Driveshaft	B	7	5-178X*	5-1350-1X* 5-1350X**	SPL30-1350XC**
	C1500	Extended Cab; Auto Trans; 2-Piece Driveshaft	B	9	5-3147X*	5-795X**	
	C1500	Extended Cab; Standard Trans; 5-Speed; 1-Piece Driveshaft; w/ Inside & Outside Snap Rings	B	9	5-212X*	5-793X**	
1988-1989	C1500	Standard Cab; 2-Piece Driveshaft	B	5,7,9	5-178X*	5-1350-1X* 5-1350X**	SPL30-1350XC**
1988-1990	C1500	Extended Cab; Standard Trans; 4-Speed; 2-Piece Driveshaft	B	5,7,9	5-178X*	5-1350-1X* 5-1350X**	SPL30-1350XC**
1989-1990	C1500	Standard Cab; 1-Piece Driveshaft; w/ Aluminum Driveshaft	A	5		5-3614X**	
	C1500	Standard Cab; 1-Piece Driveshaft; w/ Inside Snap Rings; w/ Steel Driveshaft	A	5,9	5-3147X*	5-795X**	
	C1500	Standard Cab; 1-Piece Driveshaft; w/ Aluminum Driveshaft	A	9	5-212X*	5-793X**	
	C1500	Extended Cab; Standard Trans; 5-Speed; 2-Piece Driveshaft	B	5,7	5-213X*	5-1330-1X* 5-1330X**	
	C1500	Extended Cab; Auto Trans; 78.0" Bed; 2-Piece Driveshaft	B	7	5-3147X*	5-795X**	
	C1500	Extended Cab; Auto Trans; 96.0" Bed; 2-Piece Driveshaft	B	7	5-178X*	5-1350-1X* 5-1350X**	SPL30-1350XC**
	C1500	Extended Cab; Standard Trans; 5-Speed; 2-Piece Driveshaft	B	9	5-212X*	5-793X**	
1989-1991	C1500	Standard Cab; 1-Piece Driveshaft; w/ Outside Snap Rings; w/ Steel Driveshaft	A	5,9	5-178X*	5-1350-1X* 5-1350X**	SPL30-1350XC**
	C1500	Extended Cab; Auto Trans; 2-Piece Driveshaft	B	5,9	5-3147X*	5-795X**	
1990	C1500	Standard Cab; 2-Piece Driveshaft	B	5,9	5-178X*	5-1350-1X* 5-1350X**	SPL30-1350XC**
1991	C1500	Standard Cab; 1-Piece Driveshaft; w/ Inside Snap Rings	A	5,9	5-3147X*	5-795X**	
	C1500	Standard Cab; 1-Piece Driveshaft; w/ Outside Snap Rings; w/ Aluminum Driveshaft	A	5,9		5-3615X**	
	C1500	Extended Cab; Standard Trans; MG5; 5-Speed; 2-Piece Driveshaft; w/ Aluminum Driveshaft	B	5,7		5-3614X**	
	C1500	Extended Cab; Standard Trans; MG5; 5-Speed; 2-Piece Driveshaft; w/ Steel Driveshaft	B	5,7	5-213X*	5-1330-1X* 5-1330X**	
	C1500	Extended Cab; Standard Trans; 4-Speed; 2-Piece Driveshaft; w/ Aluminum Driveshaft	B	5,7,9		5-3615X**	
	C1500	Extended Cab; Standard Trans; 4-Speed; 2-Piece Driveshaft; w/ Steel Driveshaft	B	5,7,9	5-178X*	5-1350-1X* 5-1350X**	SPL30-1350XC**

\* GREASEABLE \*\* NON-GREASEABLE





**GMC (Cont'd)**

Year	Model	Description	Fig.	Location	Spicer Part #	SPL (Uncoated) Part #	SPL (Coated) Part #
1991	C1500	Standard Cab; 2-Piece Driveshaft; w/ Aluminum Driveshaft	B	5,7,9		5-3615X**	
	C1500	Standard Cab; 2-Piece Driveshaft; w/ Steel Driveshaft	B	5,7,9	5-178X*	5-1350-1X* 5-1350X**	SPL30-1350XC**
	C1500	Extended Cab; Auto Trans; 2-Piece Driveshaft; w/ Aluminum Driveshaft	B	7		5-3615X**	
	C1500	Extended Cab; Auto Trans; 2-Piece Driveshaft; w/ Steel Driveshaft	B	7	5-178X*	5-1350-1X* 5-1350X**	SPL30-1350XC**
	C1500	Extended Cab; Standard Trans; MG5; 5-Speed; 2-Piece Driveshaft	B	9	5-212X*	5-793X**	
1992	C1500	Standard Cab; 117.5" WB; 78.0" Bed; 1-Piece Driveshaft; w/ Steel Driveshaft	A	5,9	5-3147X*	5-795X**	
	C1500	Standard Cab; 131.5" WB; 96.0" Bed; Auto; 1-Piece Driveshaft	A	5,9		5-3614X**	
	C1500	Extended Cab; Auto; 2-Piece Driveshaft	B	5,7,9	5-3147X*	5-795X**	
	C1500	Extended Cab; Standard Trans; MT8; 2-Piece Driveshaft	B	5,7,9	5-178X*	5-1350-1X* 5-1350X**	SPL30-1350XC**
	C1500	Standard Cab; Standard Trans; 5-Speed; 2-Piece Driveshaft	B	5,7,9	5-178X*	5-1350-1X* 5-1350X**	SPL30-1350XC**
1993	C1500	Standard Cab; Standard Trans; NV3500/MG5; 1-Piece Driveshaft; w/ Aluminum Yoke	A	5		5-3614X**	
	C1500	Standard Cab; Standard Trans; NV3500/MG5; 1-Piece Driveshaft; w/ Steel Yoke	A	5	5-213X*	5-1330-1X* 5-1330X**	
	C1500	Standard Cab; Auto Trans; 1-Piece Driveshaft	A	5,9	5-3147X*	5-795X**	
	C1500	Standard Cab; Standard Trans; NV3500/MG5; 1-Piece Driveshaft	A	9	5-212X*	5-793X**	
	C1500	Extended Cab; Standard Trans; NV3500/MG5; 2-Piece Driveshaft; w/ Aluminum Yoke	B	5,7		5-3614X**	
	C1500	Extended Cab; Standard Trans; NV3500/MG5; 2-Piece Driveshaft; w/ Steel Yoke	B	5,7	5-213X*	5-1330-1X* 5-1330X**	
	C1500	Extended Cab; Auto Trans; 2-Piece Driveshaft	B	5,7,9	5-3147X*	5-795X**	
	C1500	Extended Cab; Standard Cab; Standard Trans; MT8; 2-Piece Driveshaft; w/ Aluminum Yoke	B	5,7,9		5-3615X**	
	C1500	Extended Cab; Standard Cab; Standard Trans; MT8; 2-Piece Driveshaft; w/ Steel Yoke	B	5,7,9	5-178X*	5-1350-1X* 5-1350X**	SPL30-1350XC**
	C1500	Extended Cab; Standard Trans; NV3500/MG5; 2-Piece Driveshaft	B	9	5-212X*	5-793X**	
1994	C1500	Naturally Aspirated; Extended Cab; Auto Trans; 2-Piece Driveshaft; w/ Outside Snap Rings	B	5,7	5-213X*	5-1330-1X* 5-1330X**	
	C1500	Naturally Aspirated; Extended Cab; Auto Trans; 2-Piece Driveshaft; w/ Inside Snap Rings	B	5,7,9	5-3147X*	5-795X**	
	C1500	Naturally Aspirated; Extended Cab; Standard Cab; Standard Trans; MT8; 2-Piece Driveshaft; w/ Aluminum Driveshaft	B	5,7,9		5-3615X**	

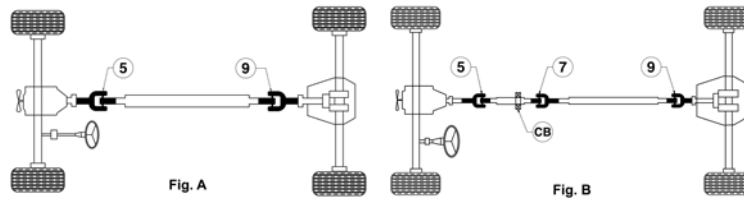
\* GREASEABLE \*\* NON-GREASEABLE

R  
W  
D

**GMC (Cont'd)**

Year	Model	Description	Fig.	Location	Spicer Part #	SPL (Uncoated) Part #	SPL (Coated) Part #
1994	C1500	Naturally Aspirated; Extended Cab; Standard Cab; Standard Trans; MT8; 2-Piece Driveshaft; w/ Steel Driveshaft	B	5,7,9	5-178X*	5-1350-1X* 5-1350X**	SPL30-1350XC**
	C1500	Naturally Aspirated; Extended Cab; Auto Trans; 2-Piece Driveshaft; w/ Outside Snap Rings	B	9	5-212X*	5-793X**	
1994-1995	C1500	Standard Cab; 96.0" Bed; 1-Piece Driveshaft	A	5		5-3614X**	
	C1500	Naturally Aspirated; Extended Cab; Standard Trans; NV3500/MG5; 2-Piece Driveshaft	B	5,7	5-213X*	5-1330-1X* 5-1330X**	
	C1500	Turbocharged; 2-Piece Driveshaft	B	5,7	5-213X*	5-1330-1X* 5-1330X**	
	C1500	Naturally Aspirated; Extended Cab; Standard Trans; NV3500/MG5; 2-Piece Driveshaft	B	9	5-212X*	5-793X**	
	C1500	Turbocharged; 2-Piece Driveshaft	B	9	5-212X*	5-793X**	
1995	C1500	Naturally Aspirated; Extended Cab; Auto Trans; 2-Piece Driveshaft	B	5,7	5-213X*	5-1330-1X* 5-1330X**	
	C1500	Naturally Aspirated; Extended Cab; Standard Cab; Standard Trans; NV4500/MW3; 2-Piece Driveshaft	B	5,7,9	5-178X*	5-1350-1X* 5-1350X**	SPL30-1350XC**
	C1500	Naturally Aspirated; Extended Cab; Auto Trans; 2-Piece Driveshaft	B	9	5-212X*	5-793X**	
1996	C1500	Standard Cab; 96.0" Bed; 1-Piece Driveshaft; w/ Aluminum Driveshaft	A	5		5-3614X**	
	C1500	Standard Cab; 78.0" Bed; Standard Trans; 1-Piece Driveshaft; w/ Steel Driveshaft	A	5,9		5-3615X**	
	C1500	Standard Cab; 96.0" Bed; 1-Piece Driveshaft; w/ Aluminum Driveshaft	A	9	5-212X*	5-793X**	
	C1500	Extended Cab; Auto Trans; 2-Piece Driveshaft	B	5,7	5-213X*	5-1330-1X* 5-1330X**	
	C1500	Extended Cab; Standard Trans; 5LM60/MG5; NV3500/MG5; 2-Piece Driveshaft	B	5,7	5-213X*	5-1330-1X* 5-1330X**	
	C1500	Extended Cab; Standard Trans; NV3500/M50; 2-Piece Driveshaft	B	5,7,9	5-178X*	5-1350-1X* 5-1350X**	SPL30-1350XC**
	C1500	Extended Cab; Auto Trans; 2-Piece Driveshaft	B	9	5-212X*	5-793X**	
	C1500	Extended Cab; Standard Trans; 5LM60/MG5; NV3500/MG5; 2-Piece Driveshaft	B	9	5-212X*	5-793X**	
	1997-1998	C1500	Standard Cab; 96.0" Bed; 1-Piece Driveshaft; w/ Aluminum Yoke	A	5		5-3614X**
C1500		Standard Cab; 96.0" Bed; 1-Piece Driveshaft; w/ Steel Yoke	A	5	5-213X*	5-1330-1X* 5-1330X**	
C1500		Standard Cab; 78.0" Bed; 1-Piece Driveshaft	A	5,9	5-3147X*	5-795X**	
C1500		Standard Cab; 96.0" Bed; 1-Piece Driveshaft	A	9	5-212X*	5-793X**	
C1500		Extended Cab; 2-Piece Driveshaft; w/ Aluminum Yoke	B	5,7		5-3614X**	
C1500		Extended Cab; 2-Piece Driveshaft; w/ Steel Yoke	B	5,7	5-213X*	5-1330-1X* 5-1330X**	
C1500		Extended Cab; 2-Piece Driveshaft	B	9	5-212X*	5-793X**	
1999	C1500	1-Piece Driveshaft	A	5,9	5-3147X*	5-795X**	
	C1500	2-Piece Driveshaft	B	5,7,9	5-3147X*	5-795X**	
1979-1981	C1500 Suburban	1-Piece Driveshaft	A	5,9	5-153X*	5-1310-1X* 5-1310X**	
	C1500 Suburban	2-Piece Driveshaft; 1.062" Bearing Cup Dia.	B	5,7	5-153X*	5-1310-1X* 5-1310X**	
	C1500 Suburban	2-Piece Driveshaft; 1.188" Bearing Cup Dia.	B	5,7	5-178X*	5-1350-1X* 5-1350X**	SPL30-1350XC**
	C1500 Suburban	2-Piece Driveshaft; w/ Inside & Outside Snap Rings	B	9	5-212X*	5-793X**	
	C1500 Suburban	2-Piece Driveshaft; w/ Outside Snap Rings; 1.062" Bearing Cup Dia.	B	9	5-153X*	5-1310-1X* 5-1310X**	
	C1500 Suburban	2-Piece Driveshaft; w/ Outside Snap Rings; 1.188" Bearing Cup Dia.	B	9	5-178X*	5-1350-1X* 5-1350X**	SPL30-1350XC**
1982-1986	C1500 Suburban	1-Piece Driveshaft	A	5,9	5-3147X*	5-795X**	
	C1500 Suburban	2-Piece Driveshaft; w/ Inside Snap Rings	B	5,7,9	5-3147X*	5-795X**	

\* GREASEABLE \*\* NON-GREASEABLE



**GMC (Cont'd)**

Year	Model	Description	Fig.	Location	Spicer Part #	SPL (Uncoated) Part #	SPL (Coated) Part #
1982-1986	C1500 Suburban	2-Piece Driveshaft; w/ Outside Snap Rings	B	5,7,9	5-178X*	5-1350-1X* 5-1350X**	SPL30-1350XC**
1992-1993	C1500 Suburban	w/ Aluminum Driveshaft	A	5		5-3614X**	
	C1500 Suburban	w/ Steel Driveshaft	A	5	5-213X*	5-1330-1X* 5-1330X**	
1994	C1500 Suburban	w/ Aluminum Driveshaft	A	9	5-212X*	5-793X**	
	C1500 Suburban	w/ Steel Driveshaft	A	5,9	5-178X*	5-1350-1X* 5-1350X**	SPL30-1350XC**
1995	C1500 Suburban	Diesel; w/ Aluminum Driveshaft	B	5,7		5-3614X**	
	C1500 Suburban	Diesel; w/ Steel Driveshaft	B	5,7	5-213X*	5-1330-1X* 5-1330X**	
1996-1999	C1500 Suburban	Diesel	B	9	5-212X*	5-793X**	
	C1500 Suburban	Diesel; w/ Aluminum Driveshaft	A	5		5-3615X**	
	C1500 Suburban	Diesel; w/ Steel Driveshaft	A	5	5-178X*	5-1350-1X* 5-1350X**	SPL30-1350XC**
	C1500 Suburban	Gas; w/ Aluminum Driveshaft	A	5		5-3614X**	
1975	C25	2-Piece Driveshaft; 1.062" Bearing Cup Dia.	B	5,7	5-153X*	5-1310-1X* 5-1310X**	
	C25	2-Piece Driveshaft; 1.188" Bearing Cup Dia.	B	5,7,9	5-178X*	5-1350-1X* 5-1350X**	SPL30-1350XC**
1976-1977	C25	2-Piece Driveshaft; 1.062" Bearing Cup Dia.; w/ 3.219" O.D. Yoke	B	5	5-213X*	5-1330-1X* 5-1330X**	
	C25	2-Piece Driveshaft; 1.062" Bearing Cup Dia.; w/ 3.625" O.D. Yoke	B	5	5-153X*	5-1310-1X* 5-1310X**	
	C25	2-Piece Driveshaft; 1.062" Bearing Cup Dia.	B	7	5-153X*	5-1310-1X* 5-1310X**	
1978	C25	1-Piece Driveshaft	A	5,9	5-153X*	5-1310-1X* 5-1310X**	
	C25	2-Piece Driveshaft; 1.062" Bearing Cup Dia.	B	5,7,9	5-153X*	5-1310-1X* 5-1310X**	
	C25	2-Piece Driveshaft; 1.125" Bearing Cup Dia.	B	9	5-3147X*	5-795X**	
1975	C25 Suburban	2-Piece Driveshaft; 1.062" Bearing Cup Dia.	B	5,7	5-153X*	5-1310-1X* 5-1310X**	
1975-1978	C25 Suburban	2-Piece Driveshaft; 1.188" Bearing Cup Dia.	B	5,7,9	5-178X*	5-1350-1X* 5-1350X**	SPL30-1350XC**
1976-1977	C25 Suburban	2-Piece Driveshaft; 1.062" Bearing Cup Dia.; w/ 3.219" O.D. Yoke	B	5	5-213X*	5-1330-1X* 5-1330X**	
	C25 Suburban	2-Piece Driveshaft; 1.062" Bearing Cup Dia.; w/ 3.625" O.D. Yoke	B	5	5-153X*	5-1310-1X* 5-1310X**	
	C25 Suburban	2-Piece Driveshaft; 1.062" Bearing Cup Dia.	B	7	5-153X*	5-1310-1X* 5-1310X**	
1978	C25 Suburban	2-Piece Driveshaft; 1.062" Bearing Cup Dia.	B	5,7,9	5-153X*	5-1310-1X* 5-1310X**	
1979-1981	C2500	1.062" Bearing Cup Dia.	B	5,7,9	5-153X*	5-1310-1X* 5-1310X**	
	C2500	1.188" Bearing Cup Dia.	B	5,7,9	5-178X*	5-1350-1X* 5-1350X**	SPL30-1350XC**
1982-1986	C2500	2-Piece Driveshaft; w/ Inside Snap Rings	B	5,7,9	5-3147X*	5-795X**	

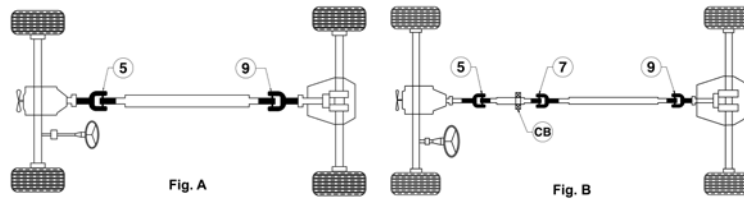
\* GREASEABLE \*\* NON-GREASEABLE

R  
W  
D

**GMC (Cont'd)**

Year	Model	Description	Fig.	Location	Spicer Part #	SPL (Uncoated) Part #	SPL (Coated) Part #
1982-1986	C2500	2-Piece Driveshaft; w/ Outside Snap Rings	B	5,7,9	5-178X*	5-1350-1X* 5-1350X**	SPL30-1350XC**
1988-1998	C2500	Standard Cab; 1-Piece Driveshaft; w/ Aluminum Driveshaft	A	5,9		5-3615X**	
	C2500	Standard Cab; 1-Piece Driveshaft; w/ Steel Driveshaft	A	5,9	5-178X*	5-1350-1X* 5-1350X**	SPL30-1350XC**
1989-1990	C2500	Extended Cab; Standard Cab; 2-Piece Driveshaft; w/ Aluminum Driveshaft	B	5		5-3615X**	
	C2500	Extended Cab; Standard Cab; 2-Piece Driveshaft; w/ Steel Driveshaft	B	5	5-178X*	5-1350-1X* 5-1350X**	SPL30-1350XC**
	C2500	Extended Cab; 78.0" Bed; 2-Piece Driveshaft	B	7,9	5-3147X*	5-795X**	
	C2500	Extended Cab; 96.0" Bed; 2-Piece Driveshaft; w/ Aluminum Driveshaft	B	7,9		5-3615X**	
	C2500	Extended Cab; 96.0" Bed; 2-Piece Driveshaft; w/ Steel Driveshaft	B	7,9	5-178X*	5-1350-1X* 5-1350X**	SPL30-1350XC**
	C2500	Standard Cab; 2-Piece Driveshaft; w/ Aluminum Driveshaft	B	7,9		5-3615X**	
	C2500	Standard Cab; 2-Piece Driveshaft; w/ Steel Driveshaft	B	7,9	5-178X*	5-1350-1X* 5-1350X**	SPL30-1350XC**
1991-1998	C2500	Extended Cab; Standard Cab; 2-Piece Driveshaft; w/ Aluminum Driveshaft	B	5,7,9		5-3615X**	
	C2500	Extended Cab; Standard Cab; 2-Piece Driveshaft; w/ Steel Driveshaft	B	5,7,9	5-178X*	5-1350-1X* 5-1350X**	SPL30-1350XC**
1999	C2500	Auto Trans; w/ Aluminum Driveshaft	B	5,7,9		5-3615X**	
	C2500	Auto Trans; w/ Steel Driveshaft	B	5,7,9	5-178X*	5-1350-1X* 5-1350X**	SPL30-1350XC**
	C2500	Standard Trans; w/ Aluminum Driveshaft	B	5,7,9		5-3616X**	
	C2500	Standard Trans; w/ Steel Driveshaft	B	5,7,9	5-160X*	5-1410-1X* 5-1410X**	
2000	C2500	V8 5.7L; 1-Piece Driveshaft	A	5,9	5-178X*	5-1350-1X* 5-1350X**	SPL30-1350XC**
	C2500	V8 6.5L; 1-Piece Driveshaft	A	5,9	5-178X*	5-1350-1X* 5-1350X**	SPL30-1350XC**
	C2500	V8 7.4L; 1-Piece Driveshaft	A	5,9	5-178X*	5-1350-1X* 5-1350X**	SPL30-1350XC**
1979-1980	C2500 Suburban	Auto Trans; THM350	B	5,7,9	5-153X*	5-1310-1X* 5-1310X**	
	C2500 Suburban	Auto Trans; THM400	B	5,7,9	5-178X*	5-1350-1X* 5-1350X**	SPL30-1350XC**
	C2500 Suburban	Standard Trans	B	5,7,9	5-178X*	5-1350-1X* 5-1350X**	SPL30-1350XC**
1981	C2500 Suburban		B	5,7	5-178X*	5-1350-1X* 5-1350X**	SPL30-1350XC**
	C2500 Suburban	4.8L; 5.7L; Auto Trans	B	9	5-153X*	5-1310-1X* 5-1310X**	
	C2500 Suburban	4.8L; 5.7L; Standard Trans	B	9	5-3147X*	5-795X**	
	C2500 Suburban	7.4L	B	9	5-178X*	5-1350-1X* 5-1350X**	SPL30-1350XC**
1982-1986	C2500 Suburban	1-Piece Driveshaft	A	5,9	5-3147X*	5-795X**	
	C2500 Suburban	2-Piece Driveshaft; 1.188" Bearing Cup Dia.	B	5,7,9	5-178X*	5-1350-1X* 5-1350X**	SPL30-1350XC**
	C2500 Suburban	2-Piece Driveshaft; 1.125" Bearing Cup Dia.	B	5,9	5-3147X*	5-795X**	
1992-1999	C2500 Suburban	w/ Aluminum Driveshaft	A	5,9		5-3615X**	
	C2500 Suburban	w/ Steel Driveshaft	A	5,9	5-178X*	5-1350-1X* 5-1350X**	SPL30-1350XC**
1975-1976	C35	Cab & Chassis; Standard Cab; Auto Trans; THM350; 1.062" Bearing Cup Dia.	B	5,7,9	5-153X*	5-1310-1X* 5-1310X**	
	C35	Cab & Chassis; Standard Cab; Auto Trans; THM400; 1.188" Bearing Cup Dia.	B	5,7,9	5-178X*	5-1350-1X* 5-1350X**	SPL30-1350XC**
	C35	Cab & Chassis; Standard Cab; Standard Trans; 1.062" Bearing Cup Dia.	B	5,7,9	5-153X*	5-1310-1X* 5-1310X**	
	C35	Cab & Chassis; Standard Cab; Standard Trans; 1.188" Bearing Cup Dia.	B	5,7,9	5-178X*	5-1350-1X* 5-1350X**	SPL30-1350XC**

\* GREASEABLE \*\* NON-GREASEABLE



**GMC (Cont'd)**

Year	Model	Description	Fig.	Location	Spicer Part #	SPL (Uncoated) Part #	SPL (Coated) Part #
1975-1976	C35	Crew Cab; 1.188" Bearing Cup Dia.	B	5,7,9	5-178X*	5-1350-1X* 5-1350X**	SPL30-1350XC**
1977-1978	C35	Auto Trans; THM350; 1.062" Bearing Cup Dia.	B	5,7,9	5-153X*	5-1310-1X* 5-1310X**	
	C35	Auto Trans; THM400; 1.188" Bearing Cup Dia.	B	5,7,9	5-178X*	5-1350-1X* 5-1350X**	SPL30-1350XC**
	C35	Standard Trans; 1.062" Bearing Cup Dia.	B	5,7,9	5-153X*	5-1310-1X* 5-1310X**	
	C35	Standard Trans; 1.188" Bearing Cup Dia.	B	5,7,9	5-178X*	5-1350-1X* 5-1350X**	SPL30-1350XC**
1967-1972	C35/C3500 Pickup	Standard Trans	B	5	5-178X*	5-1350-1X* 5-1350X**	SPL30-1350XC**
	C35/C3500 Pickup		B	7,9	5-178X*	5-1350-1X* 5-1350X**	SPL30-1350XC**
1968	C35/C3500 Pickup	4.1L; 4.8L; 5.0L; 5.3L; 5.7L; Auto Trans	B	5	5-153X*	5-1310-1X* 5-1310X**	
1968-1969	C35/C3500 Pickup	6.5L; Auto Trans	B	5	5-213X*	5-1330-1X* 5-1330X**	
1969	C35/C3500 Pickup	4.1L; 4.8L; 5.0L; 5.7L; Auto Trans	B	5	5-153X*	5-1310-1X* 5-1310X**	
1970-1972	C35/C3500 Pickup	Auto Trans	B	5	5-153X*	5-1310-1X* 5-1310X**	
1973-1974	C35/C3500 Pickup	1.062" Bearing Cup Dia.	B	5,7,9	5-153X*	5-1310-1X* 5-1310X**	
	C35/C3500 Pickup	1.188" Bearing Cup Dia.	B	5,7,9	5-178X*	5-1350-1X* 5-1350X**	SPL30-1350XC**
1979-1981	C3500	1.062" Bearing Cup Dia.; w/ Outside Snap Rings	B	5,7,9	5-153X*	5-1310-1X* 5-1310X**	
	C3500	1.188" Bearing Cup Dia.; w/ Outside Snap Rings	B	5,9	5-178X*	5-1350-1X* 5-1350X**	SPL30-1350XC**
1984	C3500	1-Piece Driveshaft; w/ Inside Snap Rings	A	5,9	5-3147X*	5-795X**	
	C3500	1-Piece Driveshaft; w/ Outside Snap Rings	A	5,9	5-178X*	5-1350-1X* 5-1350X**	SPL30-1350XC**
	C3500	2-Piece Driveshaft; w/ Inside Snap Rings	B	5,7,9	5-3147X*	5-795X**	
	C3500	2-Piece Driveshaft; w/ Outside Snap Rings	B	5,7,9	5-178X*	5-1350-1X* 5-1350X**	SPL30-1350XC**
1985-1986	C3500		B	5,7,9	5-178X*	5-1350-1X* 5-1350X**	SPL30-1350XC**
1988-1990	C3500	w/ Aluminum Driveshaft	B	5,7,9		5-3615X**	
	C3500	w/ Steel Driveshaft	B	5,7,9	5-178X*	5-1350-1X* 5-1350X**	SPL30-1350XC**
1991	C3500	Extended Cab; Standard Cab; w/ Aluminum Driveshaft	B	5,7,9		5-3615X**	
	C3500	Extended Cab; Standard Cab; w/ Steel Driveshaft	B	5,7,9	5-178X*	5-1350-1X* 5-1350X**	SPL30-1350XC**
1992-1997	C3500	Cab & Chassis; 2 Door; 135.5" WB; 159.5" WB; 2-Piece Driveshaft; 15,000 Lbs GVW	B	5,7,9	5-160X*	5-1410-1X* 5-1410X**	
	C3500	Cab & Chassis; 2 Door; 135.5" WB; 159.5" WB; 2-Piece Driveshaft; Exc. 15,000 Lbs GVW	B	5,7,9		5-3615X**	
1992-1998	C3500	Extended Cab; 155.5" WB; 2-Piece Driveshaft; Dual Rear Wheels	B	5,7,9	5-178X*	5-1350-1X* 5-1350X**	SPL30-1350XC**

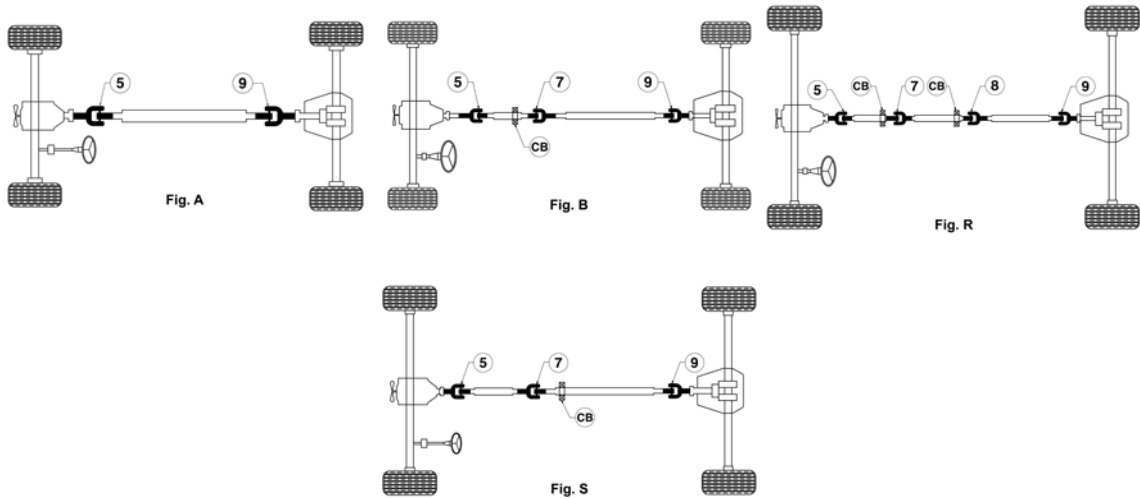
\* GREASEABLE \*\* NON-GREASEABLE

R  
W  
D

**GMC (Cont'd)**

Year	Model	Description	Fig.	Location	Spicer Part #	SPL (Uncoated) Part #	SPL (Coated) Part #
1997-1998	C3500	Cab & Chassis; 2 Door; 183.3" WB; 3-Piece Driveshaft	R	5,7,8,9	5-160X*	5-1410-1X* 5-1410X**	
1998	C3500	Cab & Chassis; 2 Door; 159.5" WB; 2-Piece Driveshaft; 15,000 Lbs GVW	B	5,7,9	5-160X*	5-1410-1X* 5-1410X**	
	C3500	Cab & Chassis; 2 Door; 159.5" WB; 2-Piece Driveshaft; Exc. 15,000 Lbs GVW	B	5,7,9		5-3615X**	
1999	C3500	Cab & Chassis; 159.5" WB; 2-Piece Driveshaft; 15,000 Lbs GVW	B	5,7,9	5-160X*	5-1410-1X* 5-1410X**	
	C3500	Cab & Chassis; 159.5" WB; 2-Piece Driveshaft; Exc. 15,000 Lbs GVW	B	5,7,9		5-3615X**	
	C3500	Extended Cab; 155.5" WB; 2-Piece Driveshaft	B	5,7,9	5-178X*	5-1350-1X* 5-1350X**	SPL30-1350XC**
	C3500	Standard Cab; 131.5" WB; 2-Piece Driveshaft	B	5,7,9	5-178X*	5-1350-1X* 5-1350X**	SPL30-1350XC**
	C3500	Cab & Chassis; 3-Piece Driveshaft	R	5,7,8,9	5-160X*	5-1410-1X* 5-1410X**	
2000	C3500	159.5" WB; 1-Piece Driveshaft	A	5,9	5-160X*	5-1410-1X* 5-1410X**	
2003-2009	C4500 Topkick	1-Piece Driveshaft; 4.500" Yoke	A	5,9	5-188X*	SPL55-1X* SPL55X**	
	C4500 Topkick	1-Piece Driveshaft; 5.250" Yoke	A	5,9	5-155X*	SPL70-1X* SPL70X**	
	C4500 Topkick	2-Piece Driveshaft; 4.500" Yoke	B	5,7,9	5-188X*	SPL55-1X* SPL55X**	
	C4500 Topkick	2-Piece Driveshaft; 5.250" Yoke	B	5,7,9	5-155X*	SPL70-1X* SPL70X**	
	C4500 Topkick	3-Piece Driveshaft; 4.500" Yoke	R	5,7,8,9	5-188X*	SPL55-1X* SPL55X**	
	C4500 Topkick	3-Piece Driveshaft; 5.250" Yoke	R	5,7,8,9	5-155X*	SPL70-1X* SPL70X**	
2003-2009	C5500 Topkick	1-Piece Driveshaft; 4.500" Yoke	A	5,9	5-188X*	SPL55-1X* SPL55X**	
	C5500 Topkick	1-Piece Driveshaft; 5.250" Yoke	A	5,9	5-155X*	SPL70-1X* SPL70X**	
	C5500 Topkick	2-Piece Driveshaft; 4.500" Yoke	B	5,7,9	5-188X*	SPL55-1X* SPL55X**	
	C5500 Topkick	2-Piece Driveshaft; 5.250" Yoke	B	5,7,9	5-155X*	SPL70-1X* SPL70X**	
	C5500 Topkick	3-Piece Driveshaft; 4.500" Yoke	R	5,7,8,9	5-188X*	SPL55-1X* SPL55X**	
	C5500 Topkick	3-Piece Driveshaft; 5.250" Yoke	R	5,7,8,9	5-155X*	SPL70-1X* SPL70X**	
1995-1996	C6000 Topkick	1480/148N Series	B	CB	210866-1X		
1997-2002	C6500 Topkick	1480/148N Series	B	CB	210866-1X		
1995-1996	C7000 Topkick	1480/148N Series	B	CB	210866-1X		
1997-2002	C7500 Topkick	1480/148N Series	B	CB	210866-1X		
1978-1987	Caballero		A	5,9	5-3147X*	5-795X**	
2004	Canyon	SL; 1-Piece Driveshaft	A	5	5-213X*	5-1330-1X* 5-1330X**	
	Canyon	SLE; 1-Piece Driveshaft	A	5	5-213X*	5-1330-1X* 5-1330X**	
	Canyon	SL; 1-Piece Driveshaft	A	9	5-212X*	5-793X**	
	Canyon	SLE; 1-Piece Driveshaft	A	9	5-212X*	5-793X**	
	Canyon	Z85 SL; Cab & Chassis; 2-Piece Driveshaft	S	5,7	5-213X*	5-1330-1X* 5-1330X**	
	Canyon	Z85 SL; Cab & Chassis; 2-Piece Driveshaft	S	9	5-212X*	5-793X**	
2004-2005	Canyon	Z71 Fleet; 1-Piece Driveshaft	A	5	5-213X*	5-1330-1X* 5-1330X**	
	Canyon	Z71 SL; 1-Piece Driveshaft	A	5	5-213X*	5-1330-1X* 5-1330X**	
	Canyon	Z71 SLE; 1-Piece Driveshaft	A	5	5-213X*	5-1330-1X* 5-1330X**	
	Canyon	Z85 SL; Standard Cab; 1-Piece Driveshaft	A	5	5-213X*	5-1330-1X* 5-1330X**	

\* GREASEABLE \*\* NON-GREASEABLE



**GMC (Cont'd)**

Year	Model	Description	Fig.	Location	Spicer Part #	SPL (Uncoated) Part #	SPL (Coated) Part #
2004-2005	Canyon	Z85 SLE; Standard Cab; 1-Piece Driveshaft	A	5	5-213X*	5-1330-1X* 5-1330X**	
	Canyon	Z71 Fleet; 1-Piece Driveshaft	A	9	5-212X*	5-793X**	
	Canyon	Z71 SL; 1-Piece Driveshaft	A	9	5-212X*	5-793X**	
	Canyon	Z71 SLE; 1-Piece Driveshaft	A	9	5-212X*	5-793X**	
	Canyon	Z85 SL; Standard Cab; 1-Piece Driveshaft	A	9	5-212X*	5-793X**	
	Canyon	Z85 SLE; Standard Cab; 1-Piece Driveshaft	A	9	5-212X*	5-793X**	
	Canyon	Z85 SL; Crew Cab; 2-Piece Driveshaft	S	5,7	5-213X*	5-1330-1X* 5-1330X**	
	Canyon	Z85 SL; Extended Cab; 2-Piece Driveshaft	S	5,7	5-213X*	5-1330-1X* 5-1330X**	
	Canyon	Z85 SLE; Cab & Chassis; 2-Piece Driveshaft	S	5,7	5-213X*	5-1330-1X* 5-1330X**	
	Canyon	Z85 SLE; Crew Cab; 2-Piece Driveshaft	S	5,7	5-213X*	5-1330-1X* 5-1330X**	
	Canyon	Z85 SLE; Extended Cab; 2-Piece Driveshaft	S	5,7	5-213X*	5-1330-1X* 5-1330X**	
	Canyon	Z85 SL; Crew Cab; 2-Piece Driveshaft	S	9	5-212X*	5-793X**	
	Canyon	Z85 SL; Extended Cab; 2-Piece Driveshaft	S	9	5-212X*	5-793X**	
	Canyon	Z85 SLE; Cab & Chassis; 2-Piece Driveshaft	S	9	5-212X*	5-793X**	
2006-2012	Canyon	1-Piece Driveshaft	A	5	5-213X*	5-1330-1X* 5-1330X**	
	Canyon	1-Piece Driveshaft	A	9	5-212X*	5-793X**	
	Canyon	2-Piece Driveshaft	S	5,7	5-213X*	5-1330-1X* 5-1330X**	
	Canyon	2-Piece Driveshaft	S	9	5-212X*	5-793X**	
2015-2016	Canyon	1-Piece Driveshaft	A	5,9	5-178X*	5-1350-1X* 5-1350X**	SPL30-1350XC**
	Canyon	2-Piece Driveshaft	S	5,7,9	5-178X*	5-1350-1X* 5-1350X**	SPL30-1350XC**
2002-2007	Envoy	1-Piece Driveshaft	A	5,9	5-3147X*	5-795X**	
	2008	Envoy	Denali; 1-Piece Driveshaft	A	5,9	5-178X*	5-1350-1X* 5-1350X**
2009	Envoy	SLE; 1-Piece Driveshaft	A	5,9	5-3147X*	5-795X**	
	Envoy	SLT; 1-Piece Driveshaft	A	5,9	5-3147X*	5-795X**	
2002-2006	Envoy XL	1-Piece Driveshaft	A	5,9	5-178X*	5-1350-1X* 5-1350X**	SPL30-1350XC**
2002-2006	Envoy XL	1-Piece Driveshaft	A	5,9	5-3147X*	5-795X**	

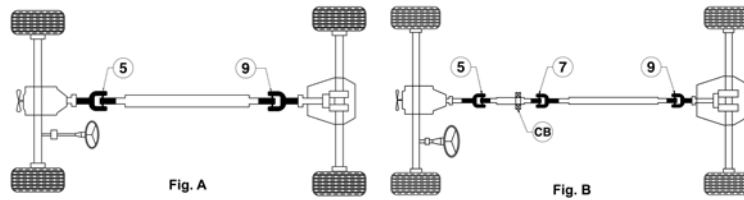
\* GREASEABLE \*\* NON-GREASEABLE

**GMC (Cont'd)**

Year	Model	Description	Fig.	Location	Spicer Part #	SPL (Uncoated) Part #	SPL (Coated) Part #
2004-2005	Envoy XUV	1-Piece Driveshaft	A	5,9	5-3147X*	5-795X**	
1975-1977	G15		B	5,7,9	5-153X*	5-1310-1X* 5-1310X**	
1978	G15	1-Piece Driveshaft; w/ Inside Snap Rings	A	5,9	5-3147X*	5-795X**	
	G15	1-Piece Driveshaft; w/ Outside Snap Rings	A	5,9	5-153X*	5-1310-1X* 5-1310X**	
	G15	2-Piece Driveshaft; w/ Inside Snap Rings	B	5,7,9	5-3147X*	5-795X**	
	G15	2-Piece Driveshaft; w/ Outside Snap Rings	B	5,7,9	5-153X*	5-1310-1X* 5-1310X**	
1967-1974	G15/G1500 Van		B	5,7,9	5-153X*	5-1310-1X* 5-1310X**	
1979-1981	G1500	1-Piece Driveshaft; w/ Outside Snap Rings	A	5,9	5-153X*	5-1310-1X* 5-1310X**	
	G1500	2-Piece Driveshaft; w/ Inside Snap Rings	B	5,7,9	5-3147X*	5-795X**	
	G1500	2-Piece Driveshaft; w/ Outside Snap Rings	B	5,7,9	5-153X*	5-1310-1X* 5-1310X**	
1979-1991	G1500	1-Piece Driveshaft; w/ Inside Snap Rings	A	5,9	5-3147X*	5-795X**	
1982-1991	G1500	1-Piece Driveshaft; w/ Outside Snap Rings; w/ Aluminum Yoke	A	5,9		5-3614X**	
	G1500	2-Piece Driveshaft	B	5,7,9	5-3147X*	5-795X**	
1992-1995	G1500	125.0" WB; w/ Outside Snap Rings; w/ Aluminum Driveshaft	A	5		5-3614X**	
	G1500	110.0" WB; 125.0" WB; w/ Inside Snap Rings	A	5,9	5-3147X*	5-795X**	
	G1500	125.0" WB; w/ Inside & Outside Snap Rings; w/ Aluminum Driveshaft	A	9	5-212X*	5-793X**	
1975-1976	G25	4.8L; 5.7L; 7.4L; 1-Piece Driveshaft; w/ Inside & Outside Snap Rings	A	5,9	5-212X*	5-793X**	
	G25	4.8L; 5.7L; 7.4L; 1-Piece Driveshaft; w/ Inside Snap Rings	A	5,9	5-3147X*	5-795X**	
	G25	4.8L; 5.7L; 7.4L; 1-Piece Driveshaft; w/ Outside Snap Rings	A	5,9	5-153X*	5-1310-1X* 5-1310X**	
	G25	4.8L; 5.7L; 7.4L; 2-Piece Driveshaft; w/ Inside & Outside Snap Rings	B	5,7,9	5-212X*	5-793X**	
	G25	4.8L; 5.7L; 7.4L; 2-Piece Driveshaft; w/ Outside Snap Rings	B	5,7,9	5-153X*	5-1310-1X* 5-1310X**	
1975-1978	G25	6.6L; 1-Piece Driveshaft	A	5,9	5-213X*	5-1330-1X* 5-1330X**	
	G25	6.6L; 2-Piece Driveshaft	B	5,7,9	5-213X*	5-1330-1X* 5-1330X**	
1977	G25	4.8L; 5.0L; 5.7L; 1-Piece Driveshaft; w/ Inside & Outside Snap Rings	A	5,9	5-212X*	5-793X**	
	G25	4.8L; 5.0L; 5.7L; 1-Piece Driveshaft; w/ Inside Snap Rings	A	5,9	5-3147X*	5-795X**	
	G25	4.8L; 5.0L; 5.7L; 1-Piece Driveshaft; w/ Outside Snap Rings	A	5,9	5-153X*	5-1310-1X* 5-1310X**	
	G25	4.8L; 5.0L; 5.7L; 2-Piece Driveshaft; w/ Inside & Outside Snap Rings	B	5,7,9	5-212X*	5-793X**	
	G25	4.8L; 5.0L; 5.7L; 2-Piece Driveshaft; w/ Outside Snap Rings	B	5,7,9	5-153X*	5-1310-1X* 5-1310X**	
1978	G25	4.1L; 4.8L; 5.0L; 5.7L; 1-Piece Driveshaft; w/ Inside & Outside Snap Rings	A	5,9	5-212X*	5-793X**	
	G25	4.1L; 4.8L; 5.0L; 5.7L; 1-Piece Driveshaft; w/ Inside Snap Rings	A	5,9	5-3147X*	5-795X**	
	G25	4.1L; 4.8L; 5.0L; 5.7L; 1-Piece Driveshaft; w/ Outside Snap Rings	A	5,9	5-153X*	5-1310-1X* 5-1310X**	
	G25	4.1L; 4.8L; 5.0L; 5.7L; 2-Piece Driveshaft; w/ Inside & Outside Snap Rings	B	5,7,9	5-212X*	5-793X**	
	G25	4.1L; 4.8L; 5.0L; 5.7L; 2-Piece Driveshaft; w/ Outside Snap Rings	B	5,7,9	5-153X*	5-1310-1X* 5-1310X**	
1979	G2500	4.1L; 5.0L; 5.7L; 2-Piece Driveshaft	B	7,9	5-153X*	5-1310-1X* 5-1310X**	
1979-1980	G2500	6.6L; 2-Piece Driveshaft	B	7	5-213X*	5-1330-1X* 5-1330X**	

\* GREASEABLE \*\* NON-GREASEABLE





**GMC (Cont'd)**

Year	Model	Description	Fig.	Location	Spicer Part #	SPL (Uncoated) Part #	SPL (Coated) Part #
1979-1980	G2500	6.6L; 2-Piece Driveshaft	B	9	5-178X*	5-1350-1X* 5-1350X**	SPL30-1350XC**
1979-1981	G2500	1-Piece Driveshaft; w/ Inside Snap Rings	A	5,9	5-3147X*	5-795X**	
	G2500	1-Piece Driveshaft; w/ Outside Snap Rings	A	5,9	5-153X*	5-1310-1X* 5-1310X**	
	G2500	2-Piece Driveshaft	B	5	5-3147X*	5-795X**	
1980	G2500	4.1L; 5.0L; 5.7L; 2-Piece Driveshaft	B	7,9	5-3147X*	5-795X**	
1981	G2500	2-Piece Driveshaft; 1.062" Bearing Cup Dia.	B	7,9	5-153X*	5-1310-1X* 5-1310X**	
	G2500	2-Piece Driveshaft; 1.188" Bearing Cup Dia.	B	7,9	5-178X*	5-1350-1X* 5-1350X**	SPL30-1350XC**
1982-1989	G2500	1-Piece Driveshaft	A	5,9	5-3147X*	5-795X**	
1984	G2500	Auto Trans; 2-Piece Driveshaft	B	5	5-3147X*	5-795X**	
	G2500	Auto Trans; Exc. THM400; 2-Piece Driveshaft	B	7,9	5-3147X*	5-795X**	
	G2500	Auto Trans; THM400; 2-Piece Driveshaft	B	7,9	5-178X*	5-1350-1X* 5-1350X**	SPL30-1350XC**
1985-1990	G2500	2-Piece Driveshaft	B	5,7,9	5-3147X*	5-795X**	
1990	G2500	125.0" WB; 1-Piece Driveshaft; w/ Outside Snap Rings; w/ Aluminum Driveshaft	A	5		5-3614X**	
	G2500	110.0" WB; 125.0" WB; 1-Piece Driveshaft; w/ Inside Snap Rings	A	5,9	5-3147X*	5-795X**	
	G2500	125.0" WB; 1-Piece Driveshaft; w/ Inside & Outside Snap Rings; w/ Aluminum Driveshaft	A	9	5-212X*	5-793X**	
1991-1995	G2500	125.0" WB; w/ Outside Snap Rings; w/ Aluminum Driveshaft	A	5		5-3614X**	
	G2500	110.0" WB; 125.0" WB; w/ Inside Snap Rings	A	5,9	5-3147X*	5-795X**	
	G2500	125.0" WB; w/ Inside & Outside Snap Rings; w/ Aluminum Driveshaft	A	9	5-212X*	5-793X**	
1975	G35	6.6L; 1-Piece Driveshaft	A	5	5-213X*	5-1330-1X* 5-1330X**	
	G35	4.8L; 5.7L; 1-Piece Driveshaft	A	5,9	5-153X*	5-1310-1X* 5-1310X**	
	G35	6.6L; 1-Piece Driveshaft	A	9	5-178X*	5-1350-1X* 5-1350X**	SPL30-1350XC**
	G35	4.8L; 5.7L; 2-Piece Driveshaft	B	5	5-153X*	5-1310-1X* 5-1310X**	
	G35	6.6L; 2-Piece Driveshaft	B	5	5-213X*	5-1330-1X* 5-1330X**	
	G35	2-Piece Driveshaft	B	7,9	5-178X*	5-1350-1X* 5-1350X**	SPL30-1350XC**
1976-1977	G35	110.0" WB; 1-Piece Driveshaft	A	5	5-3147X*	5-795X**	
	G35	125.0" WB; 1-Piece Driveshaft; 1.062" Bearing Cup Dia.	A	5,9	5-153X*	5-1310-1X* 5-1310X**	
	G35	125.0" WB; 1-Piece Driveshaft; 1.188" Bearing Cup Dia.	A	5,9	5-178X*	5-1350-1X* 5-1350X**	SPL30-1350XC**
	G35	110.0" WB; 1-Piece Driveshaft	A	9	5-178X*	5-1350-1X* 5-1350X**	SPL30-1350XC**
	G35	125.0" WB; 2-Piece Driveshaft; 1.062" Bearing Cup Dia.	B	5,7,9	5-153X*	5-1310-1X* 5-1310X**	
	G35	125.0" WB; 2-Piece Driveshaft; 1.188" Bearing Cup Dia.	B	5,7,9	5-178X*	5-1350-1X* 5-1350X**	SPL30-1350XC**

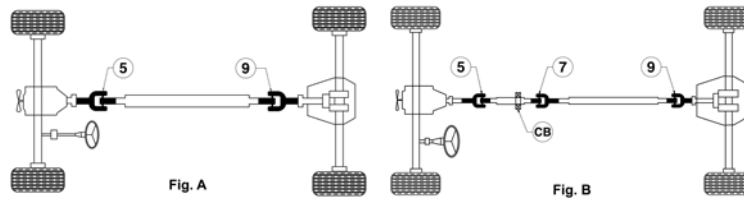
\* GREASEABLE \*\* NON-GREASEABLE

R  
W  
D

**GMC (Cont'd)**

Year	Model	Description	Fig.	Location	Spicer Part #	SPL (Uncoated) Part #	SPL (Coated) Part #
1978	G35	1-Piece Driveshaft; w/ Inside Snap Rings	A	5,9	5-3147X*	5-795X**	
	G35	1-Piece Driveshaft; w/ Outside Snap Rings	A	5,9	5-178X*	5-1350-1X* 5-1350X**	SPL30-1350XC**
	G35	2-Piece Driveshaft; w/ Inside Snap Rings	B	5,7,9	5-3147X*	5-795X**	
	G35	2-Piece Driveshaft; w/ Outside Snap Rings	B	5,7,9	5-178X*	5-1350-1X* 5-1350X**	SPL30-1350XC**
1970-1974	G35/G3500 Van	1-Piece Driveshaft; 1.062" Bearing Cup Dia.	A	5,9	5-153X*	5-1310-1X* 5-1310X**	
	G35/G3500 Van	1-Piece Driveshaft; 1.188" Bearing Cup Dia.	A	5,9	5-178X*	5-1350-1X* 5-1350X**	SPL30-1350XC**
	G35/G3500 Van	2-Piece Driveshaft; 1.062" Bearing Cup Dia.	B	5,7,9	5-153X*	5-1310-1X* 5-1310X**	
	G35/G3500 Van	2-Piece Driveshaft; 1.188" Bearing Cup Dia.	B	5,7,9	5-178X*	5-1350-1X* 5-1350X**	SPL30-1350XC**
1979-1981	G3500	1-Piece Driveshaft; w/ Inside Snap Rings	A	5,9	5-3147X*	5-795X**	
	G3500	1-Piece Driveshaft; w/ Outside Snap Rings	A	5,9	5-178X*	5-1350-1X* 5-1350X**	SPL30-1350XC**
	G3500	2-Piece Driveshaft; w/ Inside Snap Rings	B	5,7,9	5-3147X*	5-795X**	
	G3500	2-Piece Driveshaft; w/ Outside Snap Rings	B	5,7,9	5-178X*	5-1350-1X* 5-1350X**	SPL30-1350XC**
1982-1990	G3500	w/ Inside Snap Rings	B	5	5-3147X*	5-795X**	
	G3500	w/ Outside Snap Rings	B	5	5-178X*	5-1350-1X* 5-1350X**	SPL30-1350XC**
	G3500		B	7,9	5-178X*	5-1350-1X* 5-1350X**	SPL30-1350XC**
1991-1996	G3500	125.0" WB; 1-Piece Driveshaft; w/ Aluminum Driveshaft	A	5,9		5-3615X**	
	G3500	125.0" WB; 1-Piece Driveshaft; w/ Steel Driveshaft	A	5,9	5-178X*	5-1350-1X* 5-1350X**	SPL30-1350XC**
	G3500	146.0" WB; 2-Piece Driveshaft; w/ Aluminum Driveshaft	B	5,7,9		5-3615X**	
	G3500	146.0" WB; 2-Piece Driveshaft; w/ Steel Driveshaft	B	5,7,9	5-178X*	5-1350-1X* 5-1350X**	SPL30-1350XC**
1970-1972	Jimmy	Auto Trans	A	5	5-213X*	5-1330-1X* 5-1330X**	
	Jimmy	Standard Trans	A	5,9	5-153X*	5-1310-1X* 5-1310X**	
	Jimmy	Auto Trans	A	9	5-153X*	5-1310-1X* 5-1310X**	
1973-1977	Jimmy		A	5,9	5-178X*	5-1350-1X* 5-1350X**	SPL30-1350XC**
1978-1981	Jimmy	3-Speed	A	5	5-153X*	5-1310-1X* 5-1310X**	
	Jimmy	Standard Trans; 4-Speed	A	5	5-178X*	5-1350-1X* 5-1350X**	SPL30-1350XC**
	Jimmy		A	9	5-153X*	5-1310-1X* 5-1310X**	
1982	Jimmy	3-Speed	A	5,9	5-3147X*	5-795X**	
	Jimmy	Auto Trans; 4-Speed	A	5,9	5-3147X*	5-795X**	
	Jimmy	Standard Trans; 4-Speed	A	5,9	5-178X*	5-1350-1X* 5-1350X**	SPL30-1350XC**
2000-2001	Jimmy	1-Piece Driveshaft	A	5,9	5-3147X*	5-795X**	
2003-2004	Jimmy		A	5,9	5-3147X*	5-795X**	
1966	P1000		B	CB	210527X		
1975-1978	P15	1-Piece Driveshaft; 1.062" Bearing Cup Dia.	A	5	5-153X*	5-1310-1X* 5-1310X**	
	P15	1-Piece Driveshaft; 1.188" Bearing Cup Dia.	A	5	5-178X*	5-1350-1X* 5-1350X**	SPL30-1350XC**
	P15	1-Piece Driveshaft	A	9	5-153X*	5-1310-1X* 5-1310X**	
	P15	2-Piece Driveshaft; 1.062" Bearing Cup Dia.	B	5	5-153X*	5-1310-1X* 5-1310X**	
	P15	2-Piece Driveshaft; 1.188" Bearing Cup Dia.	B	5	5-178X*	5-1350-1X* 5-1350X**	SPL30-1350XC**

\* GREASEABLE \*\* NON-GREASEABLE



**GMC (Cont'd)**

Year	Model	Description	Fig.	Location	Spicer Part #	SPL (Uncoated) Part #	SPL (Coated) Part #
1975-1978	P15	2-Piece Driveshaft	B	7,9	5-153X*	5-1310-1X* 5-1310X**	
	P15		B	CB	210527X		
1967-1974	P15/P1500 Van	1-Piece Driveshaft	A	5,9	5-153X*	5-1310-1X* 5-1310X**	
	P15/P1500 Van	2-Piece Driveshaft	B	5,7,9	5-153X*	5-1310-1X* 5-1310X**	
	P15/P1500 Van		B	CB	210527X		
1979-1980	P1500	1-Piece Driveshaft; 1.062" Bearing Cup Dia.	A	5	5-153X*	5-1310-1X* 5-1310X**	
	P1500	1-Piece Driveshaft; 1.188" Bearing Cup Dia.	A	5	5-178X*	5-1350-1X* 5-1350X**	SPL30-1350XC**
	P1500	1-Piece Driveshaft	A	9	5-153X*	5-1310-1X* 5-1310X**	
1975	P25	4-Speed; 2-Piece Driveshaft; 1.188" Bearing Cup Dia.	B	5	5-178X*	5-1350-1X* 5-1350X**	SPL30-1350XC**
	P25	2-Piece Driveshaft	B	7,9	5-178X*	5-1350-1X* 5-1350X**	SPL30-1350XC**
1975-1978	P25	3-Speed; 2-Piece Driveshaft; 1.062" Bearing Cup Dia.	B	5	5-153X*	5-1310-1X* 5-1310X**	
1976-1978	P25	3-Speed; 1-Piece Driveshaft; 1.062" Bearing Cup Dia.	A	5,9	5-153X*	5-1310-1X* 5-1310X**	
	P25	3-Speed; 4-Speed; 1-Piece Driveshaft; 1.188" Bearing Cup Dia.	A	5,9	5-178X*	5-1350-1X* 5-1350X**	SPL30-1350XC**
	P25	3-Speed; 4-Speed; 2-Piece Driveshaft; 1.188" Bearing Cup Dia.	B	5	5-178X*	5-1350-1X* 5-1350X**	SPL30-1350XC**
	P25	3-Speed; 2-Piece Driveshaft; 1.062" Bearing Cup Dia.	B	7	5-178X*	5-1350-1X* 5-1350X**	SPL30-1350XC**
	P25	3-Speed; 4-Speed; 2-Piece Driveshaft; 1.188" Bearing Cup Dia.	B	7	5-153X*	5-1310-1X* 5-1310X**	
	P25	2-Piece Driveshaft	B	9	5-178X*	5-1350-1X* 5-1350X**	SPL30-1350XC**
1967-1974	P25/P2500 Van	1-Piece Driveshaft	A	5,9	5-153X*	5-1310-1X* 5-1310X**	
	P25/P2500 Van	2-Piece Driveshaft; 1.062" Bearing Cup Dia.	B	5,7,9	5-153X*	5-1310-1X* 5-1310X**	
	P25/P2500 Van	2-Piece Driveshaft; 1.125" Bearing Cup Dia.	B	5,7,9	5-3147X*	5-795X**	
1979	P2500	1.062" Bearing Cup Dia.	B	5	5-213X*	5-1330-1X* 5-1330X**	
	P2500	1.188" Bearing Cup Dia.	B	5	5-178X*	5-1350-1X* 5-1350X**	SPL30-1350XC**
	P2500	1.062" Bearing Cup Dia.; w/ Outside Snap Rings	B	7	5-213X*	5-1330-1X* 5-1330X**	
	P2500	1.188" Bearing Cup Dia.; w/ Outside Snap Rings	B	7	5-178X*	5-1350-1X* 5-1350X**	SPL30-1350XC**
	P2500	w/ Inside & Outside Snap Rings	B	7,9	5-212X*	5-793X**	
	P2500	w/ Outside Snap Rings	B	9	5-178X*	5-1350-1X* 5-1350X**	SPL30-1350XC**
	P2500		B	5	5-153X*	5-1310-1X* 5-1310X**	
1980-1981	P2500	Auto Trans; 3-Speed	B	5	5-153X*	5-1310-1X* 5-1310X**	
	P2500	Auto Trans; 4-Speed	B	5,7,9	5-178X*	5-1350-1X* 5-1350X**	SPL30-1350XC**

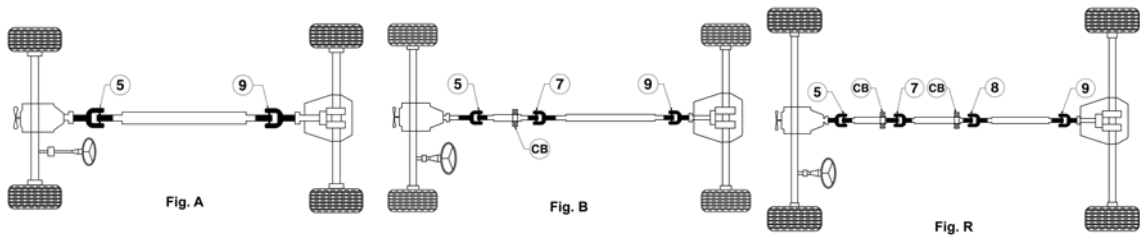
\* GREASEABLE \*\* NON-GREASEABLE

R  
W  
D

**GMC (Cont'd)**

Year	Model	Description	Fig.	Location	Spicer Part #	SPL (Uncoated) Part #	SPL (Coated) Part #
1980-1981	P2500	Standard Trans	B	5,7,9	5-178X*	5-1350-1X* 5-1350X**	SPL30-1350XC**
1982-1983	P2500	Auto Trans; 3-Speed	B	7,9	5-3147X*	5-795X**	
	P2500	2-Piece Driveshaft	B	5,7	5-178X*	5-1350-1X* 5-1350X**	SPL30-1350XC**
1984	P2500	2-Piece Driveshaft	B	9	5-3147X*	5-795X**	
	P2500	1-Piece Driveshaft	A	5,9	5-3147X*	5-795X**	
1985-1989	P2500	2-Piece Driveshaft	B	5,7,9	5-3147X*	5-795X**	
	P2500	1-Piece Driveshaft	A	5	5-178X*	5-1350-1X* 5-1350X**	SPL30-1350XC**
	P2500	1-Piece Driveshaft	A	9	5-3147X*	5-795X**	
	P2500	2-Piece Driveshaft	B	5	5-178X*	5-1350-1X* 5-1350X**	SPL30-1350XC**
	P2500	2-Piece Driveshaft; w/ Inside Snap Rings	B	7,9	5-3147X*	5-795X**	
1975-1977	P35	2-Piece Driveshaft; w/ Outside Snap Rings	B	7,9	5-178X*	5-1350-1X* 5-1350X**	SPL30-1350XC**
	P35		B	5,7,9	5-178X*	5-1350-1X* 5-1350X**	SPL30-1350XC**
1978	P35	3.469" O.D. Yoke; w/ Outside Snap Rings	B	5,7,9	5-153X*	5-1310-1X* 5-1310X**	
	P35	3.875" O.D. Yoke; w/ Outside Snap Rings	B	5,7,9	5-178X*	5-1350-1X* 5-1350X**	SPL30-1350XC**
	P35	4.438" O.D. Yoke; w/ Outside Snap Rings	B	5,9	5-160X*	5-1410-1X* 5-1410X**	
	P35	w/ Inside & Outside Snap Rings	B	5,9	5004989**		
1967-1974	P35	w/ Inside & Outside Snap Rings; 1330 Series	B	9	5-212X*	5-793X**	
	P35/P3500 Van		B	5,7,9	5-178X*	5-1350-1X* 5-1350X**	SPL30-1350XC**
1979-1984	P3500	2-Piece Driveshaft; w/ 4.188" O.D. Yoke	B	5	5-160X*	5-1410-1X* 5-1410X**	
1979-1988	P3500	2-Piece Driveshaft; w/ 3.125" O.D. Yoke	B	5	5004989**		
	P3500	2-Piece Driveshaft; w/ 3.218" O.D. Yoke	B	5	5-153X*	5-1310-1X* 5-1310X**	
1982-1983	P3500	178.0" WB; 3-Piece Driveshaft	R	5,7,8	5-178X*	5-1350-1X* 5-1350X**	SPL30-1350XC**
	P3500	Exc. 178.0" WB; 3-Piece Driveshaft	R	5,7,8,9	5-178X*	5-1350-1X* 5-1350X**	SPL30-1350XC**
	P3500	178.0" WB; 3-Piece Driveshaft	R	9	5004989**		
1984	P3500	3-Piece Driveshaft	R	5,7,8	5-178X*	5-1350-1X* 5-1350X**	SPL30-1350XC**
	P3500	3-Piece Driveshaft	R	9	5-160X*	5-1410-1X* 5-1410X**	
1985-1987	P3500	178.0" WB; 3-Piece Driveshaft	R	5,7,8,9	5-178X*	5-1350-1X* 5-1350X**	SPL30-1350XC**
	P3500	208.0" WB; 3-Piece Driveshaft	R	5,7,8,9	5-160X*	5-1410-1X* 5-1410X**	
1988-1990	P3500	3-Piece Driveshaft; w/ 3.625" O.D. Yoke	R	5,7,8,9	5-178X*	5-1350-1X* 5-1350X**	SPL30-1350XC**
	P3500	3-Piece Driveshaft; w/ 4.188" O.D. Yoke	R	5,7,8,9	5-160X*	5-1410-1X* 5-1410X**	
1989-1990	P3500	2-Piece Driveshaft; w/ 3.125" O.D. Yoke	B	5,7,9	5004989**		
	P3500	2-Piece Driveshaft; w/ 3.218" O.D. Yoke	B	5,7,9	5-153X*	5-1310-1X* 5-1310X**	
1991-1995	P3500	Rear Drum Brakes; 1-Piece Driveshaft	A	5,9	5-178X*	5-1350-1X* 5-1350X**	SPL30-1350XC**
	P3500	Rear Disc Brakes; 2-Piece Driveshaft	B	5,7,9	5-160X*	5-1410-1X* 5-1410X**	
	P3500	Rear Drum Brakes; 2-Piece Driveshaft	B	5,7,9	5-178X*	5-1350-1X* 5-1350X**	SPL30-1350XC**
	P3500	Rear Disc Brakes; 3-Piece Driveshaft	R	5,7,8,9	5-160X*	5-1410-1X* 5-1410X**	
	P3500	Rear Drum Brakes; 3-Piece Driveshaft	R	5,7,8,9	5-178X*	5-1350-1X* 5-1350X**	SPL30-1350XC**

\* GREASEABLE \*\* NON-GREASEABLE



**GMC (Cont'd)**

Year	Model	Description	Fig.	Location	Spicer Part #	SPL (Uncoated) Part #	SPL (Coated) Part #
1996-1997	P3500	110.0" WB; Rear Drum Brakes; 1-Piece Driveshaft	A	5,9	5-178X*	5-1350-1X* 5-1350X**	SPL30-1350XC**
	P3500	125.0" WB; 133.0" WB; 157.0" WB; 178.0" WB; Rear Drum Brakes; 2-Piece Driveshaft	B	5,7,9	5-178X*	5-1350-1X* 5-1350X**	SPL30-1350XC**
	P3500	157.0" WB; 178.0" WB; Rear Disc Brakes; 2-Piece Driveshaft	B	5,7,9	5-160X*	5-1410-1X* 5-1410X**	
	P3500	190.0" WB; 208.0" WB; Rear Disc Brakes; 3-Piece Driveshaft	R	5,7,8,9	5-160X*	5-1410-1X* 5-1410X**	
1996-1999	P3500	190.0" WB	B	CB	210873-1X		
1998-1999	P3500	1-Piece Driveshaft	A	5,9	5-178X*	5-1350-1X* 5-1350X**	SPL30-1350XC**
	P3500	2-Piece Driveshaft; w/ 3.625" O.D. Yoke	B	5,7,9	5-178X*	5-1350-1X* 5-1350X**	SPL30-1350XC**
	P3500	2-Piece Driveshaft; w/ 4.188" O.D. Yoke	B	5,7,9	5-160X*	5-1410-1X* 5-1410X**	
	P3500	3-Piece Driveshaft	R	5,7,8,9	5-160X*	5-1410-1X* 5-1410X**	
1987	R1500	1-Piece Driveshaft	A	5,9	5-3147X*	5-795X**	
	R1500	2-Piece Driveshaft	B	5,7,9	5-3147X*	5-795X**	
1987-1991	R1500 Suburban	1-Piece Driveshaft	A	5,9	5-3147X*	5-795X**	
	R1500 Suburban	2-Piece Driveshaft; w/ Inside Snap Rings	B	5,7,9	5-3147X*	5-795X**	
	R1500 Suburban	2-Piece Driveshaft; w/ Outside Snap Rings	B	5,7,9	5-178X*	5-1350-1X* 5-1350X**	SPL30-1350XC**
1987	R2500	w/ Inside Snap Rings	B	5,7,9	5-3147X*	5-795X**	
	R2500	w/ Outside Snap Rings	B	5,7,9	5-178X*	5-1350-1X* 5-1350X**	SPL30-1350XC**
1988-1989	R2500	w/ Aluminum Shaft	B	5,7,9		5-3615X**	
	R2500	w/ Steel Shaft	B	5,7,9	5-178X*	5-1350-1X* 5-1350X**	SPL30-1350XC**
1987-1991	R2500 Suburban	1-Piece Driveshaft	A	5,9	5-3147X*	5-795X**	
	R2500 Suburban	2-Piece Driveshaft; w/ Inside Snap Rings	B	5,7,9	5-3147X*	5-795X**	
	R2500 Suburban	2-Piece Driveshaft; w/ Outside Snap Rings	B	5,7,9	5-178X*	5-1350-1X* 5-1350X**	SPL30-1350XC**
1987-1991	R3500	1-Piece Driveshaft	A	5,9	5-3147X*	5-795X**	
	R3500	2-Piece Driveshaft; w/ Inside Snap Rings	B	5,7,9	5-3147X*	5-795X**	
	R3500	2-Piece Driveshaft; w/ Outside Snap Rings	B	5,7,9	5-178X*	5-1350-1X* 5-1350X**	SPL30-1350XC**
1982-1990	S15	1-Piece Driveshaft	A	5,9	5-3147X*	5-795X**	
	S15	2-Piece Driveshaft	B	5,7,9	5-3147X*	5-795X**	
1983-1991	S15 Jimmy	1-Piece Driveshaft	A	5,9	5-3147X*	5-795X**	
	S15 Jimmy	2-Piece Driveshaft	B	5,7,9	5-3147X*	5-795X**	
1985-1987	Safari		A	9	5-178X*	5-1350-1X* 5-1350X**	SPL30-1350XC**
1985-1999	Safari		A	5	5-3147X*	5-795X**	
1988-1999	Safari	w/ Aluminum Shaft	A	9		5-3615X**	
	Safari	w/ Steel Shaft	A	9	5-178X*	5-1350-1X* 5-1350X**	SPL30-1350XC**
2000-2003	Safari	1-Piece Driveshaft	A	5	5-3147X*	5-795X**	
	Safari	1-Piece Driveshaft	A	9	5-178X*	5-1350-1X* 5-1350X**	SPL30-1350XC**
2004-2005	Safari	1-Piece Driveshaft	A	5,9	5-3147X*	5-795X**	

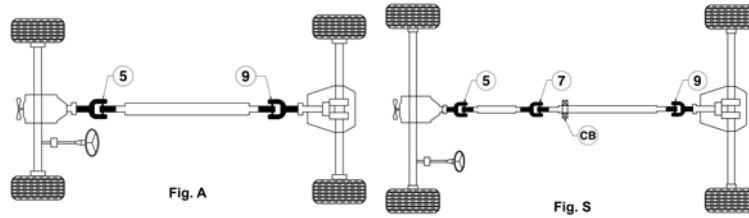
\* GREASEABLE \*\* NON-GREASEABLE

RWD

**GMC (Cont'd)**

Year	Model	Description	Fig.	Location	Spicer Part #	SPL (Uncoated) Part #	SPL (Coated) Part #
1996-1999	Savana 1500	w/ Aluminum Shaft	A	5,9		5-3615X**	
	Savana 1500	w/ Steel Shaft	A	5,9	5-178X*	5-1350-1X* 5-1350X**	SPL30-1350XC**
2012-2013	Savana 1500	Base; 1-Piece Driveshaft	A	5,9	5-178X*	5-1350-1X* 5-1350X**	SPL30-1350XC**
	Savana 1500	LS; 1-Piece Driveshaft	A	5,9	5-178X*	5-1350-1X* 5-1350X**	SPL30-1350XC**
	Savana 1500	LT; 1-Piece Driveshaft	A	5,9	5-178X*	5-1350-1X* 5-1350X**	SPL30-1350XC**
2014	Savana 1500	1-Piece Driveshaft	A	5,9	5-178X*	5-1350-1X* 5-1350X**	SPL30-1350XC**
1996-1999	Savana 2500	135.0" WB; 1-Piece Driveshaft; w/ Aluminum Shaft	A	5,9		5-3615X**	
	Savana 2500	135.0" WB; 1-Piece Driveshaft; w/ Steel Shaft	A	5,9	5-178X*	5-1350-1X* 5-1350X**	SPL30-1350XC**
	Savana 2500	155.0" WB; 2-Piece Driveshaft; w/ Aluminum Shaft	S	5,7,9		5-3615X**	
	Savana 2500	155.0" WB; 2-Piece Driveshaft; w/ Steel Shaft	S	5,7,9	5-178X*	5-1350-1X* 5-1350X**	SPL30-1350XC**
2000	Savana 2500	135.0" WB; 1-Piece Driveshaft	A	5,9	5-178X*	5-1350-1X* 5-1350X**	SPL30-1350XC**
	Savana 2500	155.0" WB; 2-Piece Driveshaft	S	5,7,9	5-178X*	5-1350-1X* 5-1350X**	SPL30-1350XC**
2001	Savana 2500	V8 5.7L; 135.0" WB; 1-Piece Driveshaft	A	5,9	5-178X*	5-1350-1X* 5-1350X**	SPL30-1350XC**
	Savana 2500	V8 5.7L; 155.0" WB; 2-Piece Driveshaft	S	5,9	5-178X*	5-1350-1X* 5-1350X**	SPL30-1350XC**
2001-2002	Savana 2500	V8 5.0L; 135.0" WB; 1-Piece Driveshaft	A	5,9	5-178X*	5-1350-1X* 5-1350X**	SPL30-1350XC**
	Savana 2500	V8 6.5L; 135.0" WB; 1-Piece Driveshaft	A	5,9	5-178X*	5-1350-1X* 5-1350X**	SPL30-1350XC**
	Savana 2500	V6 4.3L; 155.0" WB; 2-Piece Driveshaft	S	5,9	5-178X*	5-1350-1X* 5-1350X**	SPL30-1350XC**
	Savana 2500	V8 5.0L; 155.0" WB; 2-Piece Driveshaft	S	5,9	5-178X*	5-1350-1X* 5-1350X**	SPL30-1350XC**
	Savana 2500	V8 6.5L; 155.0" WB; 2-Piece Driveshaft	S	5,9	5-178X*	5-1350-1X* 5-1350X**	SPL30-1350XC**
	Savana 2500	155.0" WB; 2-Piece Driveshaft	S	7	5-178X*	5-1350-1X* 5-1350X**	SPL30-1350XC**
2001-2005	Savana 2500	V6 4.3L; 135.0" WB; 1-Piece Driveshaft	A	5,9	5-178X*	5-1350-1X* 5-1350X**	SPL30-1350XC**
2002	Savana 2500	V8 5.7L; Bi-Fuel; 135.0" WB; 1-Piece Driveshaft	A	5,9	5-178X*	5-1350-1X* 5-1350X**	SPL30-1350XC**
	Savana 2500	V8 5.7L; Gas; 135.0" WB; 1-Piece Driveshaft	A	5,9	5-178X*	5-1350-1X* 5-1350X**	SPL30-1350XC**
	Savana 2500	V8 5.7L; Bi-Fuel; 155.0" WB; 2-Piece Driveshaft	S	5,9	5-178X*	5-1350-1X* 5-1350X**	SPL30-1350XC**
	Savana 2500	V8 5.7L; Gas; 155.0" WB; 2-Piece Driveshaft	S	5,9	5-178X*	5-1350-1X* 5-1350X**	SPL30-1350XC**
2003-2005	Savana 2500	V8 5.3L; 135.0" WB; 1-Piece Driveshaft	A	5,9	5-178X*	5-1350-1X* 5-1350X**	SPL30-1350XC**
	Savana 2500	V6 4.3L; 155.0" WB; 2-Piece Driveshaft	S	5,7,9	5-178X*	5-1350-1X* 5-1350X**	SPL30-1350XC**
	Savana 2500	V8 4.8L; 155.0" WB; 2-Piece Driveshaft	S	5,7,9	5-178X*	5-1350-1X* 5-1350X**	SPL30-1350XC**
	Savana 2500	V8 5.3L; 155.0" WB; 2-Piece Driveshaft	S	5,7,9	5-178X*	5-1350-1X* 5-1350X**	SPL30-1350XC**
	Savana 2500	V8 6.0L; CNG; 155.0" WB; 2-Piece Driveshaft	S	5,7,9	5-178X*	5-1350-1X* 5-1350X**	SPL30-1350XC**
	Savana 2500	V8 6.0L; Gas; 155.0" WB; 2-Piece Driveshaft	S	5,7,9	5-178X*	5-1350-1X* 5-1350X**	SPL30-1350XC**
2006	Savana 2500	V8 4.8L; 135.0" WB; 1-Piece Driveshaft	A	5	5-178X*	5-1350-1X* 5-1350X**	SPL30-1350XC**
	Savana 2500	V8 6.0L; 135.0" WB; 1-Piece Driveshaft	A	5	5-178X*	5-1350-1X* 5-1350X**	SPL30-1350XC**

\* GREASEABLE \*\* NON-GREASEABLE



**GMC (Cont'd)**

Year	Model	Description	Fig.	Location	Spicer Part #	SPL (Uncoated) Part #	SPL (Coated) Part #
2006	Savana 2500	135.0" WB; 1-Piece Driveshaft	A	9	5-178X*	5-1350-1X* 5-1350X**	SPL30-1350XC**
	Savana 2500	V8 4.8L; 155.0" WB; 2-Piece Driveshaft	S	5	5-178X*	5-1350-1X* 5-1350X**	SPL30-1350XC**
	Savana 2500	V8 6.0L; 155.0" WB; 2-Piece Driveshaft	S	5	5-178X*	5-1350-1X* 5-1350X**	SPL30-1350XC**
	Savana 2500	155.0" WB; 2-Piece Driveshaft	S	9	5-178X*	5-1350-1X* 5-1350X**	SPL30-1350XC**
2006-2007	Savana 2500	V8 6.6L; 135.0" WB; 1-Piece Driveshaft	A	5	5-178X*	5-1350-1X* 5-1350X**	SPL30-1350XC**
	Savana 2500	V8 6.6L; 155.0" WB; 2-Piece Driveshaft	S	5	5-178X*	5-1350-1X* 5-1350X**	SPL30-1350XC**
2006-2010	Savana 2500	V8 4.8L; Base; 155.0" WB; 2-Piece Driveshaft	S	7	5-178X*	5-1350-1X* 5-1350X**	SPL30-1350XC**
	Savana 2500	V8 6.0L; Base; 155.0" WB; 2-Piece Driveshaft	S	7	5-178X*	5-1350-1X* 5-1350X**	SPL30-1350XC**
	Savana 2500	V8 6.6L; Base; 155.0" WB; 2-Piece Driveshaft	S	7	5-178X*	5-1350-1X* 5-1350X**	SPL30-1350XC**
2007	Savana 2500	V8 4.8L; 135.0" WB; 1-Piece Driveshaft	A	5,9	5-178X*	5-1350-1X* 5-1350X**	SPL30-1350XC**
	Savana 2500	V8 6.0L; 135.0" WB; 1-Piece Driveshaft	A	5,9	5-178X*	5-1350-1X* 5-1350X**	SPL30-1350XC**
	Savana 2500	V8 6.6L; LLY Engine; 135.0" WB; 1-Piece Driveshaft	A	9	5-178X*	5-1350-1X* 5-1350X**	SPL30-1350XC**
	Savana 2500	V8 6.6L; LMM Engine; 135.0" WB; 1-Piece Driveshaft	A	9	5-178X*	5-1350-1X* 5-1350X**	SPL30-1350XC**
	Savana 2500	V8 4.8L; 155.0" WB; 2-Piece Driveshaft	S	5,9	5-178X*	5-1350-1X* 5-1350X**	SPL30-1350XC**
	Savana 2500	V8 6.0L; 155.0" WB; 2-Piece Driveshaft	S	5,9	5-178X*	5-1350-1X* 5-1350X**	SPL30-1350XC**
	Savana 2500	V8 6.6L; LLY Engine; 155.0" WB; 2-Piece Driveshaft	S	9	5-178X*	5-1350-1X* 5-1350X**	SPL30-1350XC**
	Savana 2500	V8 6.6L; LMM Engine; 155.0" WB; 2-Piece Driveshaft	S	9	5-178X*	5-1350-1X* 5-1350X**	SPL30-1350XC**
2008-2010	Savana 2500	V8 4.8L; 1-Piece Driveshaft	A	5	5-178X*	5-1350-1X* 5-1350X**	SPL30-1350XC**
	Savana 2500	V8 6.0L; 1-Piece Driveshaft	A	5	5-178X*	5-1350-1X* 5-1350X**	SPL30-1350XC**
	Savana 2500	V8 6.6L; 1-Piece Driveshaft	A	5	5-178X*	5-1350-1X* 5-1350X**	SPL30-1350XC**
	Savana 2500	1-Piece Driveshaft	A	9	5-178X*	5-1350-1X* 5-1350X**	SPL30-1350XC**
	Savana 2500	V8 4.8L; 2-Piece Driveshaft	S	5	5-178X*	5-1350-1X* 5-1350X**	SPL30-1350XC**
	Savana 2500	V8 6.0L; 2-Piece Driveshaft	S	5	5-178X*	5-1350-1X* 5-1350X**	SPL30-1350XC**
	Savana 2500	V8 6.6L; 2-Piece Driveshaft	S	5	5-178X*	5-1350-1X* 5-1350X**	SPL30-1350XC**
	Savana 2500	2-Piece Driveshaft	S	9	5-178X*	5-1350-1X* 5-1350X**	SPL30-1350XC**
2011-2016	Savana 2500	V8 4.8L; 1-Piece Driveshaft	A	5,9	5-160X*	5-1410-1X* 5-1410X**	

\* GREASEABLE \*\* NON-GREASEABLE

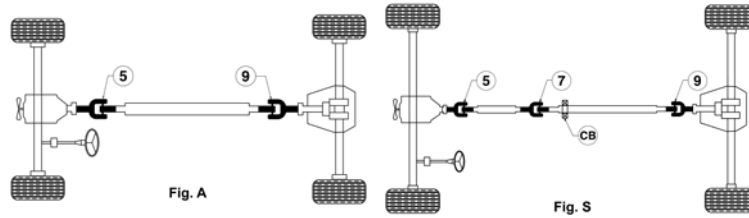
R  
W  
D

**GMC (Cont'd)**

Year	Model	Description	Fig.	Location	Spicer Part #	SPL (Uncoated) Part #	SPL (Coated) Part #
2011-2016	Savana 2500	V8 6.0L; 1-Piece Driveshaft	A	5,9	5-160X*	5-1410-1X* 5-1410X**	
	Savana 2500	V8 6.6L; 1-Piece Driveshaft	A	5,9	5-188X*	SPL55-1X* SPL55X**	
	Savana 2500	V8 4.8L; 2-Piece Driveshaft	S	5,9	5-160X*	5-1410-1X* 5-1410X**	
	Savana 2500	V8 6.0L; 2-Piece Driveshaft	S	5,9	5-160X*	5-1410-1X* 5-1410X**	
	Savana 2500	V8 6.6L; 2-Piece Driveshaft	S	5,9	5-188X*	SPL55-1X* SPL55X**	
	Savana 2500	V8 4.8L; Base; 155.0" WB; 2-Piece Driveshaft	S	7	5-160X*	5-1410-1X* 5-1410X**	
	Savana 2500	V8 6.0L; Base; 155.0" WB; 2-Piece Driveshaft	S	7	5-160X*	5-1410-1X* 5-1410X**	
	Savana 2500	V8 6.6L; Base; 155.0" WB; 2-Piece Driveshaft	S	7	5-188X*	SPL55-1X* SPL55X**	
1996-1999	Savana 3500	1-Piece Driveshaft; w/ Aluminum Yoke	A	5,9		5-3615X**	
	Savana 3500	1-Piece Driveshaft; w/ Steel Yoke	A	5,9	5-178X*	5-1350-1X* 5-1350X**	SPL30-1350XC**
	Savana 3500	2-Piece Driveshaft; w/ Aluminum Yoke	S	5,7,9		5-3615X**	
	Savana 3500	2-Piece Driveshaft; w/ Steel Yoke	S	5,7,9	5-178X*	5-1350-1X* 5-1350X**	SPL30-1350XC**
2000	Savana 3500	V8 5.7L; 135.0" WB; 1-Piece Driveshaft	A	5,9	5-178X*	5-1350-1X* 5-1350X**	SPL30-1350XC**
	Savana 3500	V8 6.5L; 135.0" WB; 1-Piece Driveshaft	A	5,9	5-178X*	5-1350-1X* 5-1350X**	SPL30-1350XC**
	Savana 3500	V8 7.4L; 135.0" WB; 1-Piece Driveshaft	A	5,9	5-178X*	5-1350-1X* 5-1350X**	SPL30-1350XC**
	Savana 3500	V8 7.4L; 139.0" WB; 2-Piece Driveshaft; Dual Rear Wheels	S	5,7,9	5-160X*	5-1410-1X* 5-1410X**	
	Savana 3500	V8 7.4L; 139.0" WB; 2-Piece Driveshaft; Single Rear Wheels	S	5,7,9	5-178X*	5-1350-1X* 5-1350X**	SPL30-1350XC**
	Savana 3500	V8 7.4L; 155.0" WB; 2-Piece Driveshaft; Dual Rear Wheels	S	5,7,9	5-160X*	5-1410-1X* 5-1410X**	
	Savana 3500	V8 7.4L; 155.0" WB; 2-Piece Driveshaft; Single Rear Wheels	S	5,7,9	5-178X*	5-1350-1X* 5-1350X**	SPL30-1350XC**
	Savana 3500	V8 7.4L; 159.0" WB; 2-Piece Driveshaft; Dual Rear Wheels	S	5,7,9	5-160X*	5-1410-1X* 5-1410X**	
	Savana 3500	V8 7.4L; 159.0" WB; 2-Piece Driveshaft; Single Rear Wheels	S	5,7,9	5-178X*	5-1350-1X* 5-1350X**	SPL30-1350XC**
	Savana 3500	V8 7.4L; 177.0" WB; 2-Piece Driveshaft; Dual Rear Wheels	S	5,7,9	5-160X*	5-1410-1X* 5-1410X**	
	Savana 3500	V8 7.4L; 177.0" WB; 2-Piece Driveshaft; Single Rear Wheels	S	5,7,9	5-178X*	5-1350-1X* 5-1350X**	SPL30-1350XC**
	2000-2002	Savana 3500	V8 5.7L; 139.0" WB; 2-Piece Driveshaft	S	5,7,9	5-178X*	5-1350-1X* 5-1350X**
Savana 3500		V8 5.7L; 155.0" WB; 2-Piece Driveshaft	S	5,7,9	5-178X*	5-1350-1X* 5-1350X**	SPL30-1350XC**
Savana 3500		V8 5.7L; 159.0" WB; 2-Piece Driveshaft	S	5,7,9	5-178X*	5-1350-1X* 5-1350X**	SPL30-1350XC**
Savana 3500		V8 5.7L; 177.0" WB; 2-Piece Driveshaft	S	5,7,9	5-178X*	5-1350-1X* 5-1350X**	SPL30-1350XC**
Savana 3500		V8 6.5L; 139.0" WB; 2-Piece Driveshaft	S	5,7,9	5-178X*	5-1350-1X* 5-1350X**	SPL30-1350XC**
Savana 3500		V8 6.5L; 155.0" WB; 2-Piece Driveshaft	S	5,7,9	5-178X*	5-1350-1X* 5-1350X**	SPL30-1350XC**
Savana 3500		V8 6.5L; 159.0" WB; 2-Piece Driveshaft	S	5,7,9	5-178X*	5-1350-1X* 5-1350X**	SPL30-1350XC**
Savana 3500		V8 6.5L; 177.0" WB; 2-Piece Driveshaft	S	5,7,9	5-178X*	5-1350-1X* 5-1350X**	SPL30-1350XC**
2001-2002	Savana 3500	V8 8.1L; 139.0" WB; 2-Piece Driveshaft; Dual Rear Wheels	S	5,7,9	5-160X*	5-1410-1X* 5-1410X**	
	Savana 3500	V8 8.1L; 139.0" WB; 2-Piece Driveshaft; Single Rear Wheels	S	5,7,9	5-178X*	5-1350-1X* 5-1350X**	SPL30-1350XC**

\* GREASEABLE \*\* NON-GREASEABLE





**GMC (Cont'd)**

Year	Model	Description	Fig.	Location	Spicer Part #	SPL (Uncoated) Part #	SPL (Coated) Part #
2001-2002	Savana 3500	V8 8.1L; 155.0" WB; 2-Piece Driveshaft; Dual Rear Wheels	S	5,7,9	5-160X*	5-1410-1X* 5-1410X**	
	Savana 3500	V8 8.1L; 155.0" WB; 2-Piece Driveshaft; Single Rear Wheels	S	5,7,9	5-178X*	5-1350-1X* 5-1350X**	SPL30-1350XC**
	Savana 3500	V8 8.1L; 159.0" WB; 2-Piece Driveshaft; Dual Rear Wheels	S	5,7,9	5-160X*	5-1410-1X* 5-1410X**	
	Savana 3500	V8 8.1L; 159.0" WB; 2-Piece Driveshaft; Single Rear Wheels	S	5,7,9	5-178X*	5-1350-1X* 5-1350X**	SPL30-1350XC**
	Savana 3500	V8 8.1L; 177.0" WB; 2-Piece Driveshaft; Dual Rear Wheels	S	5,7,9	5-160X*	5-1410-1X* 5-1410X**	
	Savana 3500	V8 8.1L; 177.0" WB; 2-Piece Driveshaft; Single Rear Wheels	S	5,7,9	5-178X*	5-1350-1X* 5-1350X**	SPL30-1350XC**
2002	Savana 3500	V8 5.7L; Bi-Fuel; 135.0" WB; 1-Piece Driveshaft	A	5	5-178X*	5-1350-1X* 5-1350X**	SPL30-1350XC**
	Savana 3500	V8 5.7L; Gas; 135.0" WB; 1-Piece Driveshaft	A	5	5-178X*	5-1350-1X* 5-1350X**	SPL30-1350XC**
	Savana 3500	V8 6.5L; 135.0" WB; 1-Piece Driveshaft	A	5	5-178X*	5-1350-1X* 5-1350X**	SPL30-1350XC**
	Savana 3500	V8 8.1L; 135.0" WB; 1-Piece Driveshaft	A	5	5-178X*	5-1350-1X* 5-1350X**	SPL30-1350XC**
2002-2003	Savana 3500	135.0" WB; 1-Piece Driveshaft	A	9	5-178X*	5-1350-1X* 5-1350X**	SPL30-1350XC**
2003	Savana 3500	V8 6.0L; 135.0" WB; 1-Piece Driveshaft	A	5	5-178X*	5-1350-1X* 5-1350X**	SPL30-1350XC**
	Savana 3500	V8 6.0L; CNG; 139.0" WB; 1-Piece Driveshaft	A	5,9	5-160X*	5-1410-1X* 5-1410X**	
2003-2004	Savana 3500	V8 6.0L; Gas; 139.0" WB; 1-Piece Driveshaft	A	5,9	5-160X*	5-1410-1X* 5-1410X**	
	Savana 3500	V8 6.0L; CNG; 159.0" WB; 2-Piece Driveshaft	S	5	5-178X*	5-1350-1X* 5-1350X**	SPL30-1350XC**
2003-2005	Savana 3500	V8 6.0L; CNG; 177.0" WB; 2-Piece Driveshaft	S	5	5-178X*	5-1350-1X* 5-1350X**	SPL30-1350XC**
	Savana 3500	V8 6.0L; Gas; 159.0" WB; 2-Piece Driveshaft	S	5	5-178X*	5-1350-1X* 5-1350X**	SPL30-1350XC**
	Savana 3500	V8 6.0L; Gas; 177.0" WB; 2-Piece Driveshaft	S	5	5-178X*	5-1350-1X* 5-1350X**	SPL30-1350XC**
	Savana 3500	V8 6.0L; CNG; 155.0" WB; 2-Piece Driveshaft	S	5,7,9	5-178X*	5-1350-1X* 5-1350X**	SPL30-1350XC**
	Savana 3500	V8 6.0L; Gas; 155.0" WB; 2-Piece Driveshaft	S	5,7,9	5-178X*	5-1350-1X* 5-1350X**	SPL30-1350XC**
	Savana 3500	V8 6.0L; 177.0" WB; 2-Piece Driveshaft	S	7,9	5-160X*	5-1410-1X* 5-1410X**	
2003-2009	Savana 3500	V8 6.0L; 159.0" WB; 2-Piece Driveshaft	S	7,9	5-160X*	5-1410-1X* 5-1410X**	
2004	Savana 3500	V8 4.8L; 139.0" WB; 1-Piece Driveshaft	A	5,9	5-160X*	5-1410-1X* 5-1410X**	
2004-2006	Savana 3500	V8 4.8L; 177.0" WB; 2-Piece Driveshaft	S	5	5-178X*	5-1350-1X* 5-1350X**	SPL30-1350XC**
	Savana 3500	V8 4.8L; 177.0" WB; 2-Piece Driveshaft	S	7,9	5-160X*	5-1410-1X* 5-1410X**	
2004-2010	Savana 3500	V8 4.8L; 159.0" WB; 2-Piece Driveshaft	S	5	5-178X*	5-1350-1X* 5-1350X**	SPL30-1350XC**

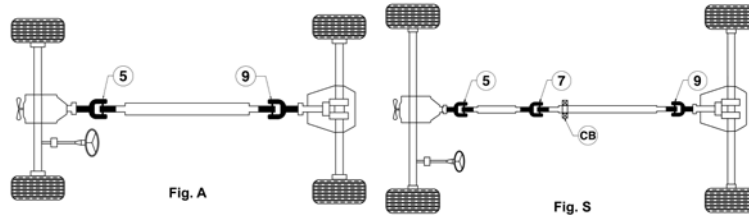
\* GREASEABLE \*\* NON-GREASEABLE

R  
W  
D

**GMC (Cont'd)**

Year	Model	Description	Fig.	Location	Spicer Part #	SPL (Uncoated) Part #	SPL (Coated) Part #
2004-2010	Savana 3500	V8 4.8L; 155.0" WB; 2-Piece Driveshaft	S	5,7,9	5-178X*	5-1350-1X* 5-1350X**	SPL30-1350XC**
	Savana 3500	V8 4.8L; 159.0" WB; 2-Piece Driveshaft	S	7,9	5-160X*	5-1410-1X* 5-1410X**	
2005-2007	Savana 3500	V8 4.8L; 139.0" WB; 1-Piece Driveshaft; Dual Rear Wheels	A	5,9	5-160X*	5-1410-1X* 5-1410X**	
2005-2009	Savana 3500	V8 6.0L; 139.0" WB; 1-Piece Driveshaft; Dual Rear Wheels	A	5,9	5-160X*	5-1410-1X* 5-1410X**	
	Savana 3500	V8 6.0L; 139.0" WB; 1-Piece Driveshaft; Single Rear Wheels	A	5,9	5-178X*	5-1350-1X* 5-1350X**	SPL30-1350XC**
2005-2010	Savana 3500	V8 4.8L; 139.0" WB; 1-Piece Driveshaft; Single Rear Wheels	A	5,9	5-178X*	5-1350-1X* 5-1350X**	SPL30-1350XC**
2006	Savana 3500	V8 6.0L; 177.0" WB; 2-Piece Driveshaft	S	5	5-178X*	5-1350-1X* 5-1350X**	SPL30-1350XC**
	Savana 3500	V8 6.6L; 177.0" WB; 2-Piece Driveshaft	S	5	5-178X*	5-1350-1X* 5-1350X**	SPL30-1350XC**
	Savana 3500	V8 6.6L; 177.0" WB; 2-Piece Driveshaft	S	7,9	5-160X*	5-1410-1X* 5-1410X**	
2006-2009	Savana 3500	V8 6.0L; 159.0" WB; 2-Piece Driveshaft	S	5	5-178X*	5-1350-1X* 5-1350X**	SPL30-1350XC**
	Savana 3500	V8 6.0L; 155.0" WB; 2-Piece Driveshaft	S	5,7,9	5-178X*	5-1350-1X* 5-1350X**	SPL30-1350XC**
2006-2010	Savana 3500	V8 6.6L; 139.0" WB; 1-Piece Driveshaft; Dual Rear Wheels	A	5,9	5-160X*	5-1410-1X* 5-1410X**	
	Savana 3500	V8 6.6L; 139.0" WB; 1-Piece Driveshaft; Single Rear Wheels	A	5,9	5-178X*	5-1350-1X* 5-1350X**	SPL30-1350XC**
2007	Savana 3500	V8 6.0L; 135.0" WB; 1-Piece Driveshaft	A	5,9	5-178X*	5-1350-1X* 5-1350X**	SPL30-1350XC**
	Savana 3500	V8 6.6L; LLY Engine; 135.0" WB; 1-Piece Driveshaft	A	5,9	5-178X*	5-1350-1X* 5-1350X**	SPL30-1350XC**
	Savana 3500	V8 6.6L; LMM Engine; 135.0" WB; 1-Piece Driveshaft	A	5,9	5-178X*	5-1350-1X* 5-1350X**	SPL30-1350XC**
	Savana 3500	V8 6.6L; LLY Engine; 159.0" WB; 2-Piece Driveshaft	S	5	5-178X*	5-1350-1X* 5-1350X**	SPL30-1350XC**
	Savana 3500	V8 6.6L; LMM Engine; 159.0" WB; 2-Piece Driveshaft	S	5	5-178X*	5-1350-1X* 5-1350X**	SPL30-1350XC**
	Savana 3500	V8 6.6L; LLY Engine; 155.0" WB; 2-Piece Driveshaft	S	5,7,9	5-178X*	5-1350-1X* 5-1350X**	SPL30-1350XC**
	Savana 3500	V8 6.6L; LMM Engine; 155.0" WB; 2-Piece Driveshaft	S	5,7,9	5-178X*	5-1350-1X* 5-1350X**	SPL30-1350XC**
	Savana 3500	V8 6.6L; LLY Engine; 159.0" WB; 2-Piece Driveshaft	S	7,9	5-160X*	5-1410-1X* 5-1410X**	
	Savana 3500	V8 6.6L; LMM Engine; 159.0" WB; 2-Piece Driveshaft	S	7,9	5-160X*	5-1410-1X* 5-1410X**	
2008	Savana 3500	V8 4.8L; 139.0" WB; 1-Piece Driveshaft; Dual Rear Wheels	A	5,9	5-178X*	5-1350-1X* 5-1350X**	SPL30-1350XC**
2008-2009	Savana 3500	135.0" WB; 1-Piece Driveshaft	A	5,9	5-178X*	5-1350-1X* 5-1350X**	SPL30-1350XC**
2008-2010	Savana 3500	V8 6.6L; 159.0" WB; 2-Piece Driveshaft	S	5	5-178X*	5-1350-1X* 5-1350X**	SPL30-1350XC**
	Savana 3500	V8 6.6L; 155.0" WB; 2-Piece Driveshaft	S	5,7,9	5-178X*	5-1350-1X* 5-1350X**	SPL30-1350XC**
	Savana 3500	V8 6.6L; 159.0" WB; 2-Piece Driveshaft	S	7,9	5-160X*	5-1410-1X* 5-1410X**	
2009-2010	Savana 3500	V8 4.8L; 139.0" WB; 1-Piece Driveshaft; Dual Rear Wheels	A	5,9	5-160X*	5-1410-1X* 5-1410X**	
2010	Savana 3500	V8 4.8L; 135.0" WB; 1-Piece Driveshaft	A	5,9	5-178X*	5-1350-1X* 5-1350X**	SPL30-1350XC**
	Savana 3500	V8 6.0L; 135.0" WB; 1-Piece Driveshaft	A	5,9	5-160X*	5-1410-1X* 5-1410X**	
	Savana 3500	V8 6.0L; 139.0" WB; 1-Piece Driveshaft; Dual Rear Wheels	A	5,9	5-188X*	SPL55-1X* SPL55X**	
	Savana 3500	V8 6.0L; 139.0" WB; 1-Piece Driveshaft; Single Rear Wheels	A	5,9	5-160X*	5-1410-1X* 5-1410X**	

\* GREASEABLE \*\* NON-GREASEABLE



**GMC (Cont'd)**

Year	Model	Description	Fig.	Location	Spicer Part #	SPL (Uncoated) Part #	SPL (Coated) Part #
2010	Savana 3500	V8 6.6L; 135.0" WB; 1-Piece Driveshaft	A	5,9	5-178X*	5-1350-1X* 5-1350X**	SPL30-1350XC**
	Savana 3500	V8 6.0L; 159.0" WB; 2-Piece Driveshaft	S	5	5-160X*	5-1410-1X* 5-1410X**	
	Savana 3500	V8 6.0L; 155.0" WB; 2-Piece Driveshaft	S	5,7,9	5-160X*	5-1410-1X* 5-1410X**	
2010-2016	Savana 3500	V8 6.0L; 159.0" WB; 2-Piece Driveshaft	S	7,9	5-188X*	SPL55-1X* SPL55X**	
2011	Savana 3500	135.0" WB; 1-Piece Driveshaft	A	9	5-188X*	SPL55-1X* SPL55X**	
	Savana 3500	135.0" WB; 2-Piece Driveshaft	S	5	5-188X*	SPL55-1X* SPL55X**	
2011-2016	Savana 3500	V8 4.8L; 155.0" WB; 1-Piece Driveshaft	A	5	5-160X*	5-1410-1X* 5-1410X**	
	Savana 3500	V8 4.8L; 159.0" WB; 1-Piece Driveshaft	A	5	5-188X*	SPL55-1X* SPL55X**	
	Savana 3500	V8 4.8L; 177.0" WB; 1-Piece Driveshaft	A	5	5-188X*	SPL55-1X* SPL55X**	
	Savana 3500	V8 6.0L; 155.0" WB; 1-Piece Driveshaft	A	5	5-160X*	5-1410-1X* 5-1410X**	
	Savana 3500	V8 6.0L; 159.0" WB; 1-Piece Driveshaft	A	5	5-188X*	SPL55-1X* SPL55X**	
	Savana 3500	V8 6.0L; 177.0" WB; 1-Piece Driveshaft	A	5	5-188X*	SPL55-1X* SPL55X**	
	Savana 3500	V8 6.6L; 155.0" WB; 1-Piece Driveshaft	A	5	5-188X*	SPL55-1X* SPL55X**	
	Savana 3500	V8 6.6L; 159.0" WB; 1-Piece Driveshaft	A	5	5-188X*	SPL55-1X* SPL55X**	
	Savana 3500	V8 6.6L; 177.0" WB; 1-Piece Driveshaft	A	5	5-188X*	SPL55-1X* SPL55X**	
	Savana 3500	V8 4.8L; 139.0" WB; 1-Piece Driveshaft	A	9	5-188X*	SPL55-1X* SPL55X**	
	Savana 3500	V8 6.0L; 139.0" WB; 1-Piece Driveshaft	A	9	5-188X*	SPL55-1X* SPL55X**	
	Savana 3500	V8 6.6L; 139.0" WB; 1-Piece Driveshaft	A	9	5-188X*	SPL55-1X* SPL55X**	
	Savana 3500	V8 4.8L; 139.0" WB; 2-Piece Driveshaft	S	5	5-188X*	SPL55-1X* SPL55X**	
	Savana 3500	V8 6.0L; 139.0" WB; 2-Piece Driveshaft	S	5	5-188X*	SPL55-1X* SPL55X**	
	Savana 3500	V8 6.6L; 139.0" WB; 2-Piece Driveshaft	S	5	5-188X*	SPL55-1X* SPL55X**	
	Savana 3500	V8 4.8L; 155.0" WB; 2-Piece Driveshaft	S	7,9	5-160X*	5-1410-1X* 5-1410X**	
	Savana 3500	V8 4.8L; 159.0" WB; 2-Piece Driveshaft	S	7,9	5-188X*	SPL55-1X* SPL55X**	
	Savana 3500	V8 4.8L; 177.0" WB; 2-Piece Driveshaft	S	7,9	5-188X*	SPL55-1X* SPL55X**	
	Savana 3500	V8 6.0L; 155.0" WB; 2-Piece Driveshaft	S	7,9	5-160X*	5-1410-1X* 5-1410X**	
	Savana 3500	V8 6.0L; 177.0" WB; 2-Piece Driveshaft	S	7,9	5-188X*	SPL55-1X* SPL55X**	

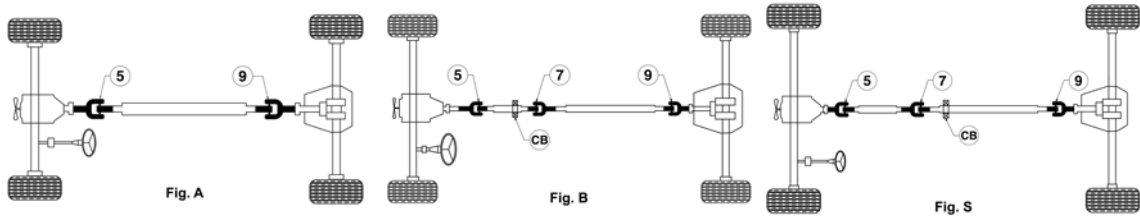
\* GREASEABLE \*\* NON-GREASEABLE

R  
W  
D

**GMC (Cont'd)**

Year	Model	Description	Fig.	Location	Spicer Part #	SPL (Uncoated) Part #	SPL (Coated) Part #
2011-2016	Savana 3500	V8 6.6L; 155.0" WB; 2-Piece Driveshaft	S	7,9	5-188X*	SPL55-1X* SPL55X**	
	Savana 3500	V8 6.6L; 159.0" WB; 2-Piece Driveshaft	S	7,9	5-188X*	SPL55-1X* SPL55X**	
	Savana 3500	V8 6.6L; 177.0" WB; 2-Piece Driveshaft	S	7,9	5-188X*	SPL55-1X* SPL55X**	
2012-2016	Savana 3500	V8 4.8L; 135.0" WB; 1-Piece Driveshaft	A	9	5-188X*	SPL55-1X* SPL55X**	
	Savana 3500	V8 6.0L; 135.0" WB; 1-Piece Driveshaft	A	9	5-188X*	SPL55-1X* SPL55X**	
	Savana 3500	V8 6.6L; 135.0" WB; 1-Piece Driveshaft	A	9	5-188X*	SPL55-1X* SPL55X**	
	Savana 3500	V8 4.8L; 135.0" WB; 2-Piece Driveshaft	S	5	5-188X*	SPL55-1X* SPL55X**	
	Savana 3500	V8 6.0L; 135.0" WB; 2-Piece Driveshaft	S	5	5-188X*	SPL55-1X* SPL55X**	
	Savana 3500	V8 6.6L; 135.0" WB; 2-Piece Driveshaft	S	5	5-188X*	SPL55-1X* SPL55X**	
2009-2016	Savana 4500	1-Piece Driveshaft	A	5	5-188X*	SPL55-1X* SPL55X**	
	Savana 4500	2-Piece Driveshaft	S	7,9	5-188X*	SPL55-1X* SPL55X**	
1999-2000	Sierra 1500	Extended Cab; 78.0" Bed; 1-Piece Driveshaft	A	5	5-213X*	5-1330-1X* 5-1330X**	
	Sierra 1500	Standard Cab; 96.0" Bed; 1-Piece Driveshaft	A	5	5-213X*	5-1330-1X* 5-1330X**	
	Sierra 1500	Standard Cab; 78.0" Bed; 1-Piece Driveshaft	A	5,9	5-3147X*	5-795X**	
	Sierra 1500	Extended Cab; 78.0" Bed; 1-Piece Driveshaft	A	9	5-212X*	5-793X**	
	Sierra 1500	Standard Cab; 96.0" Bed; 1-Piece Driveshaft	A	9	5-212X*	5-793X**	
2001-2003	Sierra 1500	Standard Cab; 96.0" Bed; 1-Piece Driveshaft; 1.062" Bearing Cup Dia.; w/ Aluminum Yoke	A	5		5-3614X**	
	Sierra 1500	Standard Cab; 96.0" Bed; 1-Piece Driveshaft; 1.062" Bearing Cup Dia.; w/ Steel Yoke	A	5	5-213X*	5-1330-1X* 5-1330X**	
	Sierra 1500	Standard Cab; 96.0" Bed; 1-Piece Driveshaft; w/ Inside & Outside Snap Rings	A	9	5-212X*	5-793X**	
2001-2004	Sierra 1500	Standard Cab; 78.0" Bed; 1-Piece Driveshaft; 1.125" Bearing Cup Dia.	A	5	5-3147X*	5-795X**	
	Sierra 1500	Standard Cab; 78.0" Bed; 1-Piece Driveshaft; w/ Inside Snap Rings	A	9	5-3147X*	5-795X**	
2002-2004	Sierra 1500	Extended Cab; Standard Trans; 2-Piece Driveshaft; w/o Quadrasteer	B	5,7	5-213X*	5-1330-1X* 5-1330X**	
	Sierra 1500	Extended Cab; 2-Piece Driveshaft; w/ Quadrasteer	B	5,7,9	5-3147X*	5-795X**	
	Sierra 1500	Extended Cab; Auto Trans; 2-Piece Driveshaft; w/o Quadrasteer	B	5,7,9	5-3147X*	5-795X**	
	Sierra 1500	Extended Cab; Standard Trans; 2-Piece Driveshaft; w/o Quadrasteer	B	9	5-212X*	5-793X**	
2004	Sierra 1500	Crew Cab; Standard Cab; 96.0" Bed; 1-Piece Driveshaft; 1.062" Bearing Cup Dia.; w/ Aluminum Yoke	A	5		5-3614X**	
	Sierra 1500	Crew Cab; Standard Cab; 96.0" Bed; 1-Piece Driveshaft; 1.062" Bearing Cup Dia.; w/ Steel Yoke	A	5	5-213X*	5-1330-1X* 5-1330X**	
	Sierra 1500	Crew Cab; Standard Cab; 96.0" Bed; 1-Piece Driveshaft; w/ Inside & Outside Snap Rings	A	9	5-212X*	5-793X**	
2005	Sierra 1500	Crew Cab; Standard Cab; 1-Piece Driveshaft; 1.062" Bearing Cup Dia.; w/ Aluminum Yoke	A	5		5-3614X**	
	Sierra 1500	Crew Cab; Standard Cab; 1-Piece Driveshaft; 1.062" Bearing Cup Dia.; w/ Steel Yoke	A	5	5-213X*	5-1330-1X* 5-1330X**	
	Sierra 1500	Crew Cab; Standard Cab; 1-Piece Driveshaft; w/ Inside & Outside Snap Rings	A	9	5-212X*	5-793X**	
	Sierra 1500	Extended Cab; Standard Trans; 2-Piece Driveshaft; w/ Aluminum Yoke	B	5,7		5-3614X**	

\* GREASEABLE \*\* NON-GREASEABLE



**GMC (Cont'd)**

Year	Model	Description	Fig.	Location	Spicer Part #	SPL (Uncoated) Part #	SPL (Coated) Part #	
2005	Sierra 1500	Extended Cab; Standard Trans; 2-Piece Driveshaft; w/ Steel Yoke	B	5,7	5-213X*	5-1330-1X* 5-1330X**		
	Sierra 1500	Extended Cab; Auto Trans; 2-Piece Driveshaft	B	5,7,9	5-3147X*	5-795X**		
	Sierra 1500	Extended Cab; Standard Trans; 2-Piece Driveshaft	B	9	5-212X*	5-793X**		
2005-2006	Sierra 1500	Standard Cab; 1-Piece Driveshaft; 1.125" Bearing Cup Dia.	A	5	5-3147X*	5-795X**		
	Sierra 1500	Standard Cab; 1-Piece Driveshaft; w/ Inside Snap Rings	A	9	5-3147X*	5-795X**		
2006	Sierra 1500	Crew Cab; 1-Piece Driveshaft; 1.188" Bearing Cup Dia.; w/ QuadraSteer; w/ Aluminum Yoke	A	5		5-3615X**		
	Sierra 1500	Crew Cab; 1-Piece Driveshaft; 1.188" Bearing Cup Dia.; w/ QuadraSteer; w/ Steel Yoke	A	5	5-178X*	5-1350-1X* 5-1350X**	SPL30-1350XC**	
	Sierra 1500	Crew Cab; Standard Cab; 1-Piece Driveshaft; 1.062" Bearing Cup Dia.; w/o QuadraSteer; w/ Aluminum Yoke	A	5		5-3614X**		
	Sierra 1500	Crew Cab; Standard Cab; 1-Piece Driveshaft; 1.062" Bearing Cup Dia.; w/o QuadraSteer; w/ Steel Yoke	A	5	5-213X*	5-1330-1X* 5-1330X**		
	Sierra 1500	Crew Cab; 1-Piece Driveshaft; w/ Outside Snap Rings; w/ QuadraSteer; w/ Aluminum Yoke	A	9		5-3615X**		
	Sierra 1500	Crew Cab; 1-Piece Driveshaft; w/ Outside Snap Rings; w/ QuadraSteer; w/ Steel Yoke	A	9	5-178X*	5-1350-1X* 5-1350X**	SPL30-1350XC**	
	Sierra 1500	Crew Cab; Standard Cab; 1-Piece Driveshaft; w/ Inside & Outside Snap Rings; w/o QuadraSteer	A	9	5-212X*	5-793X**		
	Sierra 1500	Extended Cab; 2-Piece Driveshaft; 1.062" Bearing Cup Dia.; w/ Aluminum Yoke	B	5		5-3614X**		
	Sierra 1500	Extended Cab; 2-Piece Driveshaft; 1.062" Bearing Cup Dia.; w/ Steel Yoke	B	5	5-213X*	5-1330-1X* 5-1330X**		
	Sierra 1500	Extended Cab; 2-Piece Driveshaft; 1.125" Bearing Cup Dia.	B	5	5-3147X*	5-795X**		
	Sierra 1500	Extended Cab; 2-Piece Driveshaft; 1.062" Bearing Cup Dia.; w/ Aluminum Yoke	B	7	5-212X*	5-793X**		
	Sierra 1500	Extended Cab; 2-Piece Driveshaft; 1.062" Bearing Cup Dia.; w/ Steel Yoke	B	7	5-212X*	5-793X**		
	Sierra 1500	Extended Cab; 2-Piece Driveshaft; 1.125" Bearing Cup Dia.	B	7	5-178X*	5-1350-1X* 5-1350X**	SPL30-1350XC**	
	Sierra 1500	Extended Cab; 1-Piece Driveshaft; w/ Inside & Outside Snap Rings	B	9	5-212X*	5-793X**		
	Sierra 1500	Extended Cab; 1-Piece Driveshaft; w/ Inside Snap Rings	B	9	5-3147X*	5-795X**		
	2007-2013	Sierra 1500	1-Piece Driveshaft	A	5,9	5-178X*	5-1350-1X* 5-1350X**	SPL30-1350XC**
		Sierra 1500	2-Piece Driveshaft	S	5,7,9	5-178X*	5-1350-1X* 5-1350X**	SPL30-1350XC**
2014-2016	Sierra 1500	V6 4.3L; 1-Piece Driveshaft	A	5,9	5-3147X*	5-795X**		
	Sierra 1500	V8 5.3L; 1-Piece Driveshaft	A	5,9	5-160X*	5-1410-1X* 5-1410X**		

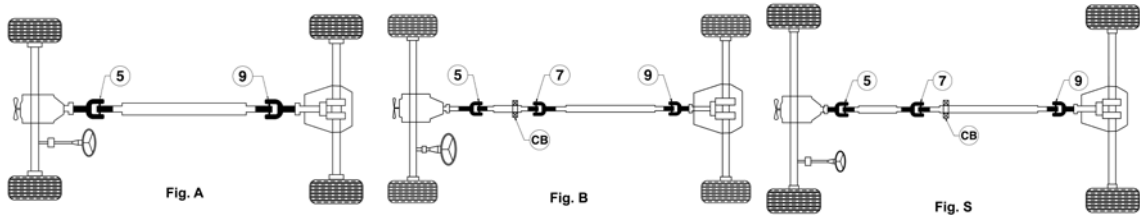
\* GREASEABLE \*\* NON-GREASEABLE

R  
W  
D

**GMC (Cont'd)**

Year	Model	Description	Fig.	Location	Spicer Part #	SPL (Uncoated) Part #	SPL (Coated) Part #
2014-2016	Sierra 1500	V8 6.2L; 1-Piece Driveshaft	A	5,9	5-160X*	5-1410-1X* 5-1410X**	
2007	Sierra 1500 Classic	Crew Cab; 1-Piece Driveshaft; w/ Aluminum Yoke	A	5		5-3614X**	
	Sierra 1500 Classic	Crew Cab; 1-Piece Driveshaft; w/ Steel Yoke	A	5	5-213X*	5-1330-1X* 5-1330X**	
	Sierra 1500 Classic	Standard Cab; 96.0" Bed; 1-Piece Driveshaft; w/ Aluminum Yoke	A	5		5-3614X**	
	Sierra 1500 Classic	Standard Cab; 96.0" Bed; 1-Piece Driveshaft; w/ Steel Yoke	A	5	5-213X*	5-1330-1X* 5-1330X**	
	Sierra 1500 Classic	Standard Cab; 78.0" Bed; 1-Piece Driveshaft	A	5,9	5-3147X*	5-795X**	
	Sierra 1500 Classic	Crew Cab; 1-Piece Driveshaft	A	9	5-212X*	5-793X**	
	Sierra 1500 Classic	Standard Cab; 96.0" Bed; 1-Piece Driveshaft	A	9	5-212X*	5-793X**	
	Sierra 1500 Classic	Extended Cab; Standard Trans; 2-Piece Driveshaft; w/ Aluminum Yoke	B	5,7		5-3614X**	
	Sierra 1500 Classic	Extended Cab; Standard Trans; 2-Piece Driveshaft; w/ Steel Yoke	B	5,7	5-213X*	5-1330-1X* 5-1330X**	
	Sierra 1500 Classic	Extended Cab; Auto Trans; 2-Piece Driveshaft	B	5,7,9	5-3147X*	5-795X**	
Sierra 1500 Classic	Extended Cab; Standard Trans; 2-Piece Driveshaft	B	9	5-212X*	5-793X**		
2002-2003	Sierra 1500 HD		B	5,7,9	5-178X*	5-1350-1X* 5-1350X**	SPL30-1350XC**
2005-2006	Sierra 1500 HD	w/ Aluminum Yoke	B	5,7,9		5-3615X**	
	Sierra 1500 HD	w/ Steel Yoke	B	5,7,9	5-178X*	5-1350-1X* 5-1350X**	SPL30-1350XC**
2007	Sierra 1500 HD Classic		B	5,7,9	5-178X*	5-1350-1X* 5-1350X**	SPL30-1350XC**
1999-2000	Sierra 2500	Auto Trans; w/ Aluminum Yoke	B	5,7,9		5-3615X**	
	Sierra 2500	Auto Trans; w/ Steel Yoke	B	5,7,9	5-178X*	5-1350-1X* 5-1350X**	SPL30-1350XC**
	Sierra 2500	Standard Trans; w/ Aluminum Yoke	B	5,7,9		5-3616X**	
	Sierra 2500	Standard Trans; w/ Steel Yoke	B	5,7,9	5-160X*	5-1410-1X* 5-1410X**	
2001-2004	Sierra 2500	w/ Aluminum Yoke	B	5,7,9		5-3615X**	
	Sierra 2500	w/ Steel Yoke	B	5,7,9	5-178X*	5-1350-1X* 5-1350X**	SPL30-1350XC**
2001-2004	Sierra 2500 HD	Auto Trans; 8.1L	B	5,7,9	5-160X*	5-1410-1X* 5-1410X**	
	Sierra 2500 HD	Crew Cab; Standard Cab; 96.0" Bed; 6.0L	B	5,7,9	5-160X*	5-1410-1X* 5-1410X**	
	Sierra 2500 HD	Standard Trans; 8.1L	B	5,7,9	5-188X*	SPL55-1X* SPL55X**	
2001-2006	Sierra 2500 HD	Extended Cab; 96.0" Bed; 6.0L	B	5,7,9	5-3207X**		
2005-2006	Sierra 2500 HD	Auto Trans; 6.6L; 8.1L	B	5,7,9	5-160X*	5-1410-1X* 5-1410X**	
	Sierra 2500 HD	Crew Cab; Extended Cab; Standard Cab; 78.0" Bed; 6.0L	B	5,7,9	5-160X*	5-1410-1X* 5-1410X**	
	Sierra 2500 HD	Standard Trans; 6.6L; 8.1L	B	5,7,9	5-188X*	SPL55-1X* SPL55X**	
2006	Sierra 2500 HD	Diesel; 6.6L; Standard Trans	S	5		SPL55-1X* SPL55X**	
	Sierra 2500 HD	Diesel; 6.6L; Auto Trans	S	5,7,9	5-160X*	5-1410-1X* 5-1410X**	
	Sierra 2500 HD	Gas; 6.0L; 157.5" WB	S	5,7,9	5-160X*	5-1410-1X* 5-1410X**	
	Sierra 2500 HD	Gas; 6.0L; Exc. 157.5" WB	S	5,7,9	5-160X*	5-1410-1X* 5-1410X**	
	Sierra 2500 HD	Gas; 8.1L; Auto Trans	S	5,7,9	5-160X*	5-1410-1X* 5-1410X**	
	Sierra 2500 HD	Gas; 8.1L; Standard Trans	S	5,7,9		SPL55-1X* SPL55X**	
	Sierra 2500 HD	Diesel; 6.6L; Standard Trans	S	7	5-188X*	SPL55-1X* SPL55X**	

\* GREASEABLE \*\* NON-GREASEABLE



**GMC (Cont'd)**

Year	Model	Description	Fig.	Location	Spicer Part #	SPL (Uncoated) Part #	SPL (Coated) Part #
2006	Sierra 2500 HD	Diesel; 6.6L; Standard Trans	S	9		SPL55-1X* SPL55X**	
2007	Sierra 2500 HD	6.0L; w/ AAM 1485 Series	S	5,7,9	5-3206X**		
	Sierra 2500 HD	6.0L; w/ Spicer Driveshaft	S	5,7,9	5-160X*	5-1410-1X* 5-1410X**	
2007-2010	Sierra 2500 HD	6.6L; w/ AAM 1485 Series	S	5,7,9	5-3206X**		
	Sierra 2500 HD	6.6L; w/ Spicer Driveshaft	S	5,7,9	5-160X*	5-1410-1X* 5-1410X**	
2008-2010	Sierra 2500 HD	6.0L; Exc. 133.0" WB; w/ AAM 1485 Series	S	5,7,9	5-3206X**		
	Sierra 2500 HD	w/ AAM 1415 Series	S	5	5-3207X**		
2011	Sierra 2500 HD	w/ Spicer Driveshaft	S	5,9	5-160X*	5-1410-1X* 5-1410X**	
	Sierra 2500 HD	6.0L; w/ AAM 1415 Series	S	7	5-3207X**		
2011	Sierra 2500 HD	6.6L; w/ AAM 1485 Series	S	7	5-3206X**		
	Sierra 2500 HD	6.6L; w/ Spicer Driveshaft	S	7	5-160X*	5-1410-1X* 5-1410X**	
2011	Sierra 2500 HD	w/ AAM 1485 Series	S	9	5-3206X**		
	Sierra 2500 HD		S	5	5-3207X**		
2012-2013	Sierra 2500 HD	6.0L	S	7	5-3207X**		
	Sierra 2500 HD	6.6L	S	7	5-3206X**		
2012-2013	Sierra 2500 HD		S	9	5-3206X**		
	Sierra 2500 HD		S	5	5-3207X**		
2014	Sierra 2500 HD	V8 6.6L; WT; 2-Piece Driveshaft	S	5	5-160X*	5-1410-1X* 5-1410X**	
	Sierra 2500 HD	V8 6.0L; WT; 133.6" WB; 2-Piece Driveshaft	S	7	5-160X*	5-1410-1X* 5-1410X**	
	Sierra 2500 HD	V8 6.0L; WT; 153.7" WB; 2-Piece Driveshaft	S	7	5-160X*	5-1410-1X* 5-1410X**	
	Sierra 2500 HD	V8 6.0L; WT; 167.7" WB; 2-Piece Driveshaft	S	7	5-160X*	5-1410-1X* 5-1410X**	
	Sierra 2500 HD	V8 6.6L; WT; 2-Piece Driveshaft	S	7,9	5-188X*	SPL55-1X* SPL55X**	
	Sierra 2500 HD	V8 6.0L; WT; 153.7" WB; 2-Piece Driveshaft	S	9	5-188X*	SPL55-1X* SPL55X**	
	Sierra 2500 HD	V8 6.0L; WT; 167.7" WB; 2-Piece Driveshaft	S	9	5-188X*	SPL55-1X* SPL55X**	
	Sierra 2500 HD	V8 6.6L; WT; 2-Piece Driveshaft	S	9	5-188X*	SPL55-1X* SPL55X**	
2014-2015	Sierra 2500 HD	V8 6.6L; SLE; 2-Piece Driveshaft	S	5	5-160X*	5-1410-1X* 5-1410X**	
	Sierra 2500 HD	V8 6.6L; SLT; 2-Piece Driveshaft	S	5	5-160X*	5-1410-1X* 5-1410X**	
	Sierra 2500 HD	V8 6.0L; SLE; 133.6" WB; 2-Piece Driveshaft	S	7	5-160X*	5-1410-1X* 5-1410X**	
	Sierra 2500 HD	V8 6.0L; SLE; 153.7" WB; 2-Piece Driveshaft	S	7	5-160X*	5-1410-1X* 5-1410X**	
	Sierra 2500 HD	V8 6.0L; SLE; 167.7" WB; 2-Piece Driveshaft	S	7	5-160X*	5-1410-1X* 5-1410X**	
	Sierra 2500 HD	V8 6.0L; SLT; 2-Piece Driveshaft	S	7	5-160X*	5-1410-1X* 5-1410X**	
	Sierra 2500 HD	V8 6.6L; SLE; 2-Piece Driveshaft	S	7,9	5-188X*	SPL55-1X* SPL55X**	
	Sierra 2500 HD	V8 6.6L; SLT; 2-Piece Driveshaft	S	7,9	5-188X*	SPL55-1X* SPL55X**	

\* GREASEABLE \*\* NON-GREASEABLE

R  
W  
D

**GMC (Cont'd)**

Year	Model	Description	Fig.	Location	Spicer Part #	SPL (Uncoated) Part #	SPL (Coated) Part #
2014-2015	Sierra 2500 HD	V8 6.0L; SLE; 153.7" WB; 2-Piece Driveshaft	S	9	5-188X*	SPL55-1X* SPL55X**	
	Sierra 2500 HD	V8 6.0L; SLE; 167.7" WB; 2-Piece Driveshaft	S	9	5-188X*	SPL55-1X* SPL55X**	
	Sierra 2500 HD	V8 6.0L; SLT; 2-Piece Driveshaft	S	9	5-188X*	SPL55-1X* SPL55X**	
2015	Sierra 2500 HD	V8 6.0L; Base; 133.6" WB; 2-Piece Driveshaft	S	7	5-160X*	5-1410-1X* 5-1410X**	
	Sierra 2500 HD	V8 6.0L; Base; 144.2" WB; 2-Piece Driveshaft	S	7	5-160X*	5-1410-1X* 5-1410X**	
	Sierra 2500 HD	V8 6.0L; Base; 153.7" WB; 2-Piece Driveshaft	S	7	5-160X*	5-1410-1X* 5-1410X**	
	Sierra 2500 HD	V8 6.0L; Base; 158.1" WB; 2-Piece Driveshaft	S	7	5-160X*	5-1410-1X* 5-1410X**	
	Sierra 2500 HD	V8 6.0L; Base; 167.7" WB; 2-Piece Driveshaft	S	7	5-160X*	5-1410-1X* 5-1410X**	
	Sierra 2500 HD	V8 6.0L; SLE; 144.2" WB; 2-Piece Driveshaft	S	7	5-160X*	5-1410-1X* 5-1410X**	
	Sierra 2500 HD	V8 6.0L; SLE; 158.1" WB; 2-Piece Driveshaft	S	7	5-160X*	5-1410-1X* 5-1410X**	
	Sierra 2500 HD	V8 6.6L; Base; 133.6" WB; 2-Piece Driveshaft	S	7	5-160X*	5-1410-1X* 5-1410X**	
	Sierra 2500 HD	V8 6.6L; Base; 144.2" WB; 2-Piece Driveshaft	S	7	5-160X*	5-1410-1X* 5-1410X**	
	Sierra 2500 HD	V8 6.6L; Base; 153.7" WB; 2-Piece Driveshaft	S	7	5-160X*	5-1410-1X* 5-1410X**	
	Sierra 2500 HD	V8 6.6L; Base; 158.1" WB; 2-Piece Driveshaft	S	7	5-160X*	5-1410-1X* 5-1410X**	
	Sierra 2500 HD	V8 6.6L; Base; 167.7" WB; 2-Piece Driveshaft	S	7	5-160X*	5-1410-1X* 5-1410X**	
	Sierra 2500 HD	V8 6.0L; Base; 144.2" WB; 2-Piece Driveshaft	S	9	5-188X*	SPL55-1X* SPL55X**	
	Sierra 2500 HD	V8 6.0L; Base; 153.7" WB; 2-Piece Driveshaft	S	9	5-188X*	SPL55-1X* SPL55X**	
	Sierra 2500 HD	V8 6.0L; Base; 158.1" WB; 2-Piece Driveshaft	S	9	5-188X*	SPL55-1X* SPL55X**	
	Sierra 2500 HD	V8 6.0L; Base; 167.7" WB; 2-Piece Driveshaft	S	9	5-188X*	SPL55-1X* SPL55X**	
	Sierra 2500 HD	V8 6.0L; SLE; 144.2" WB; 2-Piece Driveshaft	S	9	5-188X*	SPL55-1X* SPL55X**	
	Sierra 2500 HD	V8 6.0L; SLE; 158.1" WB; 2-Piece Driveshaft	S	9	5-188X*	SPL55-1X* SPL55X**	
	Sierra 2500 HD	V8 6.6L; Base; 144.2" WB; 2-Piece Driveshaft	S	9	5-188X*	SPL55-1X* SPL55X**	
	Sierra 2500 HD	V8 6.6L; Base; 153.7" WB; 2-Piece Driveshaft	S	9	5-188X*	SPL55-1X* SPL55X**	
Sierra 2500 HD	V8 6.6L; Base; 158.1" WB; 2-Piece Driveshaft	S	9	5-188X*	SPL55-1X* SPL55X**		
Sierra 2500 HD	V8 6.6L; Base; 167.7" WB; 2-Piece Driveshaft	S	9	5-188X*	SPL55-1X* SPL55X**		
2016	Sierra 2500 HD	V8 6.6L; SLE; 2-Piece Driveshaft	S	5	5-160X*		
	Sierra 2500 HD	V8 6.6L; SLE; 2-Piece Driveshaft; 1410 Series	S	5		5-1410-1X* 5-1410X**	
	Sierra 2500 HD	V8 6.6L; SLT; 2-Piece Driveshaft	S	5	5-160X*		
	Sierra 2500 HD	V8 6.6L; SLT; 2-Piece Driveshaft; 1410 Series	S	5		5-1410-1X* 5-1410X**	
	Sierra 2500 HD	2-Piece Driveshaft; with 1410 Series	S	7		5-1410-1X* 5-1410X**	
	Sierra 2500 HD	V8 6.0L; Base; 133.6" WB; 2-Piece Driveshaft	S	7	5-160X*		
	Sierra 2500 HD	V8 6.0L; Base; 144.2" WB; 2-Piece Driveshaft	S	7	5-160X*		
	Sierra 2500 HD	V8 6.0L; Base; 153.7" WB; 2-Piece Driveshaft	S	7	5-160X*		

\* GREASEABLE \*\* NON-GREASEABLE



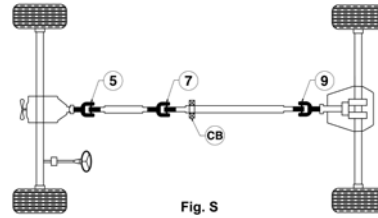


Fig. S

**GMC (Cont'd)**

Year	Model	Description	Fig.	Location	Spicer Part #	SPL (Uncoated) Part #	SPL (Coated) Part #
2016	Sierra 2500 HD	V8 6.0L; Base; 158.1" WB; 2-Piece Driveshaft	S	7	5-160X*		
	Sierra 2500 HD	V8 6.0L; Base; 167.7" WB; 2-Piece Driveshaft	S	7	5-160X*		
	Sierra 2500 HD	V8 6.0L; SLE; 133.6" WB; 2-Piece Driveshaft	S	7	5-160X*		
	Sierra 2500 HD	V8 6.0L; SLE; 144.2" WB; 2-Piece Driveshaft	S	7	5-160X*		
	Sierra 2500 HD	V8 6.0L; SLE; 153.7" WB; 2-Piece Driveshaft	S	7	5-160X*		
	Sierra 2500 HD	V8 6.0L; SLE; 158.1" WB; 2-Piece Driveshaft	S	7	5-160X*		
	Sierra 2500 HD	V8 6.0L; SLE; 167.7" WB; 2-Piece Driveshaft	S	7	5-160X*		
	Sierra 2500 HD	V8 6.0L; SLT; 2-Piece Driveshaft	S	7	5-160X*		
	Sierra 2500 HD	V8 6.6L; Base; 133.6" WB; 2-Piece Driveshaft	S	7	5-160X*		
	Sierra 2500 HD	V8 6.6L; Base; 144.2" WB; 2-Piece Driveshaft	S	7	5-160X*		
	Sierra 2500 HD	V8 6.6L; Base; 153.7" WB; 2-Piece Driveshaft	S	7	5-160X*		
	Sierra 2500 HD	V8 6.6L; Base; 158.1" WB; 2-Piece Driveshaft	S	7	5-160X*		
	Sierra 2500 HD	V8 6.6L; Base; 167.7" WB; 2-Piece Driveshaft	S	7	5-160X*		
	Sierra 2500 HD	V8 6.6L; SLE; 2-Piece Driveshaft	S	7,9	5-188X*		
	Sierra 2500 HD	V8 6.6L; SLT; 2-Piece Driveshaft	S	7,9	5-188X*		
	Sierra 2500 HD	V8 6.0L; Base; 144.2" WB; 2-Piece Driveshaft	S	9	5-188X*		
	Sierra 2500 HD	V8 6.0L; Base; 144.2" WB; 2-Piece Driveshaft; 1410 Series	S	9		SPL55-1X* SPL55X**	
	Sierra 2500 HD	V8 6.0L; Base; 153.7" WB; 2-Piece Driveshaft	S	9	5-188X*		
	Sierra 2500 HD	V8 6.0L; Base; 153.7" WB; 2-Piece Driveshaft; 1410 Series	S	9		SPL55-1X* SPL55X**	
	Sierra 2500 HD	V8 6.0L; Base; 158.1" WB; 2-Piece Driveshaft	S	9	5-188X*		
	Sierra 2500 HD	V8 6.0L; Base; 158.1" WB; 2-Piece Driveshaft; 1410 Series	S	9		SPL55-1X* SPL55X**	
	Sierra 2500 HD	V8 6.0L; Base; 167.7" WB; 2-Piece Driveshaft	S	9	5-188X*		
	Sierra 2500 HD	V8 6.0L; Base; 167.7" WB; 2-Piece Driveshaft; 1410 Series	S	9		SPL55-1X* SPL55X**	
	Sierra 2500 HD	V8 6.0L; SLE; 144.2" WB; 2-Piece Driveshaft	S	9	5-188X*		
	Sierra 2500 HD	V8 6.0L; SLE; 144.2" WB; 2-Piece Driveshaft; 1410 Series	S	9		SPL55-1X* SPL55X**	
	Sierra 2500 HD	V8 6.0L; SLE; 153.7" WB; 2-Piece Driveshaft	S	9	5-188X*		
	Sierra 2500 HD	V8 6.0L; SLE; 153.7" WB; 2-Piece Driveshaft; 1410 Series	S	9		SPL55-1X* SPL55X**	
	Sierra 2500 HD	V8 6.0L; SLE; 158.1" WB; 2-Piece Driveshaft	S	9	5-188X*		
	Sierra 2500 HD	V8 6.0L; SLE; 158.1" WB; 2-Piece Driveshaft; 1410 Series	S	9		SPL55-1X* SPL55X**	
	Sierra 2500 HD	V8 6.0L; SLE; 167.7" WB; 2-Piece Driveshaft	S	9	5-188X*		
	Sierra 2500 HD	V8 6.0L; SLE; 167.7" WB; 2-Piece Driveshaft; 1410 Series	S	9		SPL55-1X* SPL55X**	
	Sierra 2500 HD	V8 6.0L; SLT; 2-Piece Driveshaft	S	9	5-188X*		

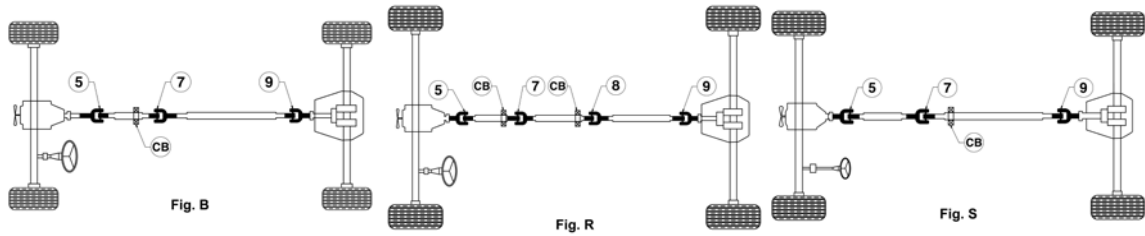
\* GREASEABLE \*\* NON-GREASEABLE

R  
W  
D

**GMC (Cont'd)**

Year	Model	Description	Fig.	Location	Spicer Part #	SPL (Uncoated) Part #	SPL (Coated) Part #
2016	Sierra 2500 HD	V8 6.0L; SLT; 2-Piece Driveshaft; 1410 Series	S	9		SPL55-1X* SPL55X**	
	Sierra 2500 HD	V8 6.6L; Base; 144.2" WB; 2-Piece Driveshaft	S	9	5-188X*		
	Sierra 2500 HD	V8 6.6L; Base; 144.2" WB; 2-Piece Driveshaft; 1410 Series	S	9		SPL55-1X* SPL55X**	
	Sierra 2500 HD	V8 6.6L; Base; 153.7" WB; 2-Piece Driveshaft	S	9	5-188X*		
	Sierra 2500 HD	V8 6.6L; Base; 153.7" WB; 2-Piece Driveshaft; 1410 Series	S	9		SPL55-1X* SPL55X**	
	Sierra 2500 HD	V8 6.6L; Base; 158.1" WB; 2-Piece Driveshaft	S	9	5-188X*		
	Sierra 2500 HD	V8 6.6L; Base; 158.1" WB; 2-Piece Driveshaft; 1410 Series	S	9		SPL55-1X* SPL55X**	
	Sierra 2500 HD	V8 6.6L; Base; 167.7" WB; 2-Piece Driveshaft	S	9	5-188X*		
	Sierra 2500 HD	V8 6.6L; Base; 167.7" WB; 2-Piece Driveshaft; 1410 Series	S	9		SPL55-1X* SPL55X**	
	Sierra 2500 HD	V8 6.6L; SLE; 2-Piece Driveshaft; 1410 Series	S	9		SPL55-1X* SPL55X**	
	Sierra 2500 HD	V8 6.6L; SLT; 2-Piece Driveshaft; 1410 Series	S	9		SPL55-1X* SPL55X**	
2001-2006	Sierra 3500	2-Piece Driveshaft; w/ AAM 1415 Series	B	5,7,9	5-3207X**		
	Sierra 3500	2-Piece Driveshaft; w/ Spicer 1410 Series; w/ Aluminum Yoke	B	5,7,9		5-3616X**	
	Sierra 3500	2-Piece Driveshaft; w/ Spicer 1410 Series; w/ Steel Yoke	B	5,7,9	5-160X*	5-1410-1X* 5-1410X**	
	Sierra 3500	2-Piece Driveshaft; w/ Spicer 1480 Series	B	5,7,9	5-188X*	SPL55-1X* SPL55X**	
	Sierra 3500	3-Piece Driveshaft; w/ Spicer 1410 Series	R	5,7,8,9	5-160X*	5-1410-1X* 5-1410X**	
2007	Sierra 3500 Classic	Auto Trans; 6.6L; 8.1L; w/ Aluminum Yoke	S	5,7,9		5-3616X**	
	Sierra 3500 Classic	Auto Trans; 6.6L; 8.1L; w/ Steel Yoke	S	5,7,9	5-160X*	5-1410-1X* 5-1410X**	
	Sierra 3500 Classic	Cab & Chassis; Crew Cab; Standard Cab; 6.0L; w/ Aluminum Yoke	S	5,7,9		5-3616X**	
	Sierra 3500 Classic	Cab & Chassis; Crew Cab; Standard Cab; 6.0L; w/ Steel Yoke	S	5,7,9	5-160X*	5-1410-1X* 5-1410X**	
	Sierra 3500 Classic	Extended Cab; 6.0L	S	5,7,9	5-3207X**		
	Sierra 3500 Classic	Standard Trans; 6.6L; 8.1L	S	5,7,9	5-188X*	SPL55-1X* SPL55X**	
2007-2011	Sierra 3500 HD	w/ AAM 1485 Series	S	5,7,9	5-3206X**		
	Sierra 3500 HD	w/ Spicer Driveshaft	S	5,7,9	5-160X*	5-1410-1X* 5-1410X**	
2012-2013	Sierra 3500 HD		S	5	5-3207X**		
	Sierra 3500 HD		S	7,9	5-3206X**		
2014	Sierra 3500 HD	V8 6.0L; WT; 2-Piece Driveshaft	S	5	5-160X*	5-1410-1X* 5-1410X**	
	Sierra 3500 HD	V8 6.6L; WT; 2-Piece Driveshaft	S	5	5-160X*	5-1410-1X* 5-1410X**	
	Sierra 3500 HD	V8 6.0L; WT; 2-Piece Driveshaft	S	7,9	5-188X*	SPL55-1X* SPL55X**	
	Sierra 3500 HD	V8 6.6L; WT; 2-Piece Driveshaft	S	7,9	5-188X*	SPL55-1X* SPL55X**	
2014-2016	Sierra 3500 HD	V8 6.0L; Denali; 2-Piece Driveshaft	S	5	5-160X*	5-1410-1X* 5-1410X**	
	Sierra 3500 HD	V8 6.0L; SLE; 2-Piece Driveshaft	S	5	5-160X*	5-1410-1X* 5-1410X**	
	Sierra 3500 HD	V8 6.0L; SLT; 2-Piece Driveshaft	S	5	5-160X*	5-1410-1X* 5-1410X**	
	Sierra 3500 HD	V8 6.6L; Denali; 2-Piece Driveshaft	S	5	5-160X*	5-1410-1X* 5-1410X**	
	Sierra 3500 HD	V8 6.6L; SLE; 2-Piece Driveshaft	S	5	5-160X*	5-1410-1X* 5-1410X**	

\* GREASEABLE \*\* NON-GREASEABLE



**GMC (Cont'd)**

Year	Model	Description	Fig.	Location	Spicer Part #	SPL (Uncoated) Part #	SPL (Coated) Part #
2014-2016	Sierra 3500 HD	V8 6.6L; SLT; 2-Piece Driveshaft	S	5	5-160X*	5-1410-1X* 5-1410X**	
	Sierra 3500 HD	V8 6.0L; Denali; 2-Piece Driveshaft	S	7,9	5-188X*	SPL55-1X* SPL55X**	
	Sierra 3500 HD	V8 6.0L; SLE; 2-Piece Driveshaft	S	7,9	5-188X*	SPL55-1X* SPL55X**	
	Sierra 3500 HD	V8 6.0L; SLT; 2-Piece Driveshaft	S	7,9	5-188X*	SPL55-1X* SPL55X**	
	Sierra 3500 HD	V8 6.6L; Denali; 2-Piece Driveshaft	S	7,9	5-188X*	SPL55-1X* SPL55X**	
	Sierra 3500 HD	V8 6.6L; SLE; 2-Piece Driveshaft	S	7,9	5-188X*	SPL55-1X* SPL55X**	
	Sierra 3500 HD	V8 6.6L; SLT; 2-Piece Driveshaft	S	7,9	5-188X*	SPL55-1X* SPL55X**	
2015-2016	Sierra 3500 HD	V8 6.0L; Base; 133.6" WB; 2-Piece Driveshaft	S	7	5-160X*	5-1410-1X* 5-1410X**	
	Sierra 3500 HD	V8 6.0L; Base; 137.5" WB; 2-Piece Driveshaft	S	7	5-160X*	5-1410-1X* 5-1410X**	
	Sierra 3500 HD	V8 6.0L; Base; 153.7" WB; 2-Piece Driveshaft	S	7	5-160X*	5-1410-1X* 5-1410X**	
	Sierra 3500 HD	V8 6.0L; Base; 158.1" WB; 2-Piece Driveshaft	S	7	5-160X*	5-1410-1X* 5-1410X**	
	Sierra 3500 HD	V8 6.0L; Base; 162.0" WB; 2-Piece Driveshaft	S	7	5-160X*	5-1410-1X* 5-1410X**	
	Sierra 3500 HD	V8 6.0L; Base; 167.7" WB; 2-Piece Driveshaft	S	7	5-160X*	5-1410-1X* 5-1410X**	
	Sierra 3500 HD	V8 6.0L; Base; 171.5" WB; 2-Piece Driveshaft	S	7	5-160X*	5-1410-1X* 5-1410X**	
	Sierra 3500 HD	V8 6.6L; Base; 133.6" WB; 2-Piece Driveshaft	S	7	5-160X*	5-1410-1X* 5-1410X**	
	Sierra 3500 HD	V8 6.6L; Base; 137.5" WB; 2-Piece Driveshaft	S	7	5-160X*	5-1410-1X* 5-1410X**	
	Sierra 3500 HD	V8 6.6L; Base; 153.7" WB; 2-Piece Driveshaft	S	7	5-160X*	5-1410-1X* 5-1410X**	
	Sierra 3500 HD	V8 6.6L; Base; 158.1" WB; 2-Piece Driveshaft	S	7	5-160X*	5-1410-1X* 5-1410X**	
	Sierra 3500 HD	V8 6.6L; Base; 162.0" WB; 2-Piece Driveshaft	S	7	5-160X*	5-1410-1X* 5-1410X**	
	Sierra 3500 HD	V8 6.6L; Base; 167.7" WB; 2-Piece Driveshaft	S	7	5-160X*	5-1410-1X* 5-1410X**	
	Sierra 3500 HD	V8 6.6L; Base; 171.5" WB; 2-Piece Driveshaft	S	7	5-160X*	5-1410-1X* 5-1410X**	
	Sierra 3500 HD	V8 6.0L; Base; 137.5" WB; 2-Piece Driveshaft	S	9	5-188X*	SPL55-1X* SPL55X**	
	Sierra 3500 HD	V8 6.0L; Base; 153.7" WB; 2-Piece Driveshaft	S	9	5-188X*	SPL55-1X* SPL55X**	
	Sierra 3500 HD	V8 6.0L; Base; 158.1" WB; 2-Piece Driveshaft	S	9	5-188X*	SPL55-1X* SPL55X**	
	Sierra 3500 HD	V8 6.0L; Base; 162.0" WB; 2-Piece Driveshaft	S	9	5-188X*	SPL55-1X* SPL55X**	
	Sierra 3500 HD	V8 6.0L; Base; 167.7" WB; 2-Piece Driveshaft	S	9	5-188X*	SPL55-1X* SPL55X**	

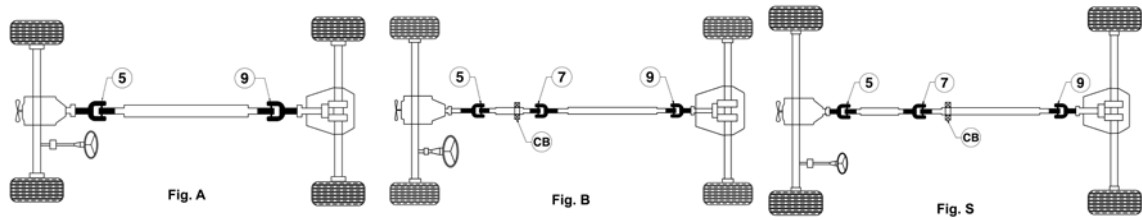
\* GREASEABLE \*\* NON-GREASEABLE

R  
W  
D

**GMC (Cont'd)**

Year	Model	Description	Fig.	Location	Spicer Part #	SPL (Uncoated) Part #	SPL (Coated) Part #
2015-2016	Sierra 3500 HD	V8 6.0L; Base; 171.5" WB; 2-Piece Driveshaft	S	9	5-188X*	SPL55-1X* SPL55X**	
	Sierra 3500 HD	V8 6.6L; Base; 137.5" WB; 2-Piece Driveshaft	S	9	5-188X*	SPL55-1X* SPL55X**	
	Sierra 3500 HD	V8 6.6L; Base; 153.7" WB; 2-Piece Driveshaft	S	9	5-188X*	SPL55-1X* SPL55X**	
	Sierra 3500 HD	V8 6.6L; Base; 158.1" WB; 2-Piece Driveshaft	S	9	5-188X*	SPL55-1X* SPL55X**	
	Sierra 3500 HD	V8 6.6L; Base; 162.0" WB; 2-Piece Driveshaft	S	9	5-188X*	SPL55-1X* SPL55X**	
	Sierra 3500 HD	V8 6.6L; Base; 167.7" WB; 2-Piece Driveshaft	S	9	5-188X*	SPL55-1X* SPL55X**	
	Sierra 3500 HD	V8 6.6L; Base; 171.5" WB; 2-Piece Driveshaft	S	9	5-188X*	SPL55-1X* SPL55X**	
1991-1993	Sonoma	Standard Cab; 89.0" Bed; 2-Piece Driveshaft	B	5,7,9	5-3147X*	5-795X**	
1991-1996	Sonoma	Standard Cab; 73.1" Bed; 1-Piece Driveshaft	A	5,9	5-3147X*	5-795X**	
1991-1999	Sonoma	Extended Cab; 2-Piece Driveshaft	B	5,7,9	5-3147X*	5-795X**	
1994-1996	Sonoma	Standard Cab; 89.0" Bed; 1-Piece Driveshaft; w/ Aluminum Yoke	A	5		5-3614X**	
	Sonoma	Standard Cab; 89.0" Bed; 1-Piece Driveshaft; w/ Steel Yoke	A	5	5-213X*	5-1330-1X* 5-1330X**	
	Sonoma	Standard Cab; 89.0" Bed; 1-Piece Driveshaft	A	9	5-212X*	5-793X**	
1997-1999	Sonoma	Standard Cab; 1-Piece Driveshaft	A	5,9	5-3147X*	5-795X**	
2000-2003	Sonoma	1-Piece Driveshaft	A	5,9	5-3147X*	5-795X**	
1971	Sprint	4.1L; 5.0L; 5.7L; 6.6L	A	5,9	5-153X*	5-1310-1X* 5-1310X**	
1971-1972	Sprint	7.4L	A	5	5-3147X*	5-795X**	
	Sprint	7.4L	A	9	5-213X*	5-1330-1X* 5-1330X**	
1972	Sprint	4.1L; 5.0L	A	5,9	5-153X*	5-1310-1X* 5-1310X**	
1973-1977	Sprint		A	5,9	5-3147X*	5-795X**	
1997-2002	T6500		B	CB	210866-1X		
1997-2002	T7500		B	CB	210866-1X		
1992-1999	Yukon		A	5,9	5-3147X*	5-795X**	
2000-2007	Yukon	1-Piece Driveshaft	A	5,9	5-3147X*	5-795X**	
2008	Yukon	V8 4.8L; 1-Piece Driveshaft	A	5,9	5-3147X*	5-795X**	
	Yukon	V8 5.3L; 1-Piece Driveshaft	A	5,9	5-3147X*	5-795X**	
	Yukon	V8 6.0L; 1-Piece Driveshaft	A	5,9	5-178X*	5-1350-1X* 5-1350X**	SPL30-1350XC**
2009-2016	Yukon	1-Piece Driveshaft	A	5,9	5-178X*	5-1350-1X* 5-1350X**	SPL30-1350XC**
2000-2003	Yukon XL 1500	1-Piece Driveshaft	A	5,9	5-213X*	5-1330-1X* 5-1330X**	
2005	Yukon XL 1500	Flex-Fuel; 1-Piece Driveshaft	A	5	5-213X*	5-1330-1X* 5-1330X**	
	Yukon XL 1500	Gas; 1-Piece Driveshaft	A	5	5-213X*	5-1330-1X* 5-1330X**	
	Yukon XL 1500	Flex-Fuel; 1-Piece Driveshaft	A	9	5-212X*	5-793X**	
	Yukon XL 1500	Gas; 1-Piece Driveshaft	A	9	5-212X*	5-793X**	
	Yukon XL 1500	1-Piece Driveshaft	A	5	5-213X*	5-1330-1X* 5-1330X**	
2006	Yukon XL 1500	1-Piece Driveshaft	A	9	5-212X*	5-793X**	
	Yukon XL 1500	V8 5.3L; 1-Piece Driveshaft	A	5,9	5-3147X*	5-795X**	
2007-2008	Yukon XL 1500	V8 6.0L; 1-Piece Driveshaft	A	5,9	5-178X*	5-1350-1X* 5-1350X**	SPL30-1350XC**
	Yukon XL 1500	1-Piece Driveshaft	A	9	5-212X*	5-793X**	
2009-2014	Yukon XL 1500	1-Piece Driveshaft	A	5,9	5-178X*	5-1350-1X* 5-1350X**	SPL30-1350XC**
2001-2006	Yukon XL 2500	V8 6.0L; 1-Piece Driveshaft	A	5,9	5-178X*	5-1350-1X* 5-1350X**	SPL30-1350XC**
	Yukon XL 2500	V8 8.1L; 1-Piece Driveshaft	A	5,9	5-160X*	5-1410-1X* 5-1410X**	

\* GREASEABLE \*\* NON-GREASEABLE



**GMC (Cont'd)**

Year	Model	Description	Fig.	Location	Spicer Part #	SPL (Uncoated) Part #	SPL (Coated) Part #
2007	Yukon XL 2500	1-Piece Driveshaft	A	5,9	5-178X*	5-1350-1X* 5-1350X**	SPL30-1350XC**
2008-2013	Yukon XL 2500	1-Piece Driveshaft	A	5,9	5-160X*	5-1410-1X* 5-1410X**	

**Honda**

Year	Model	Description	Fig.	Location	Spicer Part #	SPL (Uncoated) Part #	SPL (Coated) Part #
1994-1997	Passport		B	5,7,9	5-153X*	5-1310-1X* 5-1310X**	
1998-2002	Passport	1-Piece Driveshaft	A	5,9	5-153X*	5-1310-1X* 5-1310X**	

**Infiniti**

Year	Model	Description	Fig.	Location	Spicer Part #	SPL (Uncoated) Part #	SPL (Coated) Part #
2001-2003	QX4	2-Piece Driveshaft	S	5	5-1505X*		
2010	QX56	1-Piece Driveshaft	A	5	5-178X*	5-1350-1X* 5-1350X**	SPL30-1350XC**

**International**

Year	Model	Description	Fig.	Location	Spicer Part #	SPL (Uncoated) Part #	SPL (Coated) Part #
1966	1000A	1-Piece Driveshaft	A	5,9	5-153X*	5-1310-1X* 5-1310X**	
	1000A	2-Piece Driveshaft	B	5,7,9	5-153X*	5-1310-1X* 5-1310X**	
1967	1000B	1-Piece Driveshaft	A	5,9	5-153X*	5-1310-1X* 5-1310X**	
	1000B	2-Piece Driveshaft	B	5,7,9	5-153X*	5-1310-1X* 5-1310X**	
1968	1000C	1-Piece Driveshaft	A	5,9	5-153X*	5-1310-1X* 5-1310X**	
	1000C	2-Piece Driveshaft	B	5,7,9	5-153X*	5-1310-1X* 5-1310X**	
1969-1970	1000D	1-Piece Driveshaft	A	5,9	5-153X*	5-1310-1X* 5-1310X**	
	1000D	2-Piece Driveshaft	B	5,7,9	5-153X*	5-1310-1X* 5-1310X**	
1966	1200A	1-Piece Driveshaft	A	5,9	5-153X*	5-1310-1X* 5-1310X**	
	1200A	2-Piece Driveshaft	B	5,7,9	5-153X*	5-1310-1X* 5-1310X**	
1967	1200B	1-Piece Driveshaft	A	5,9	5-153X*	5-1310-1X* 5-1310X**	
	1200B	2-Piece Driveshaft	B	5,7,9	5-153X*	5-1310-1X* 5-1310X**	
1968	1200C	1-Piece Driveshaft	A	5,9	5-153X*	5-1310-1X* 5-1310X**	
	1200C	2-Piece Driveshaft	B	5,7,9	5-153X*	5-1310-1X* 5-1310X**	
1969-1970	1200D	1-Piece Driveshaft	A	5,9	5-153X*	5-1310-1X* 5-1310X**	

\* GREASEABLE \*\* NON-GREASEABLE

RWD

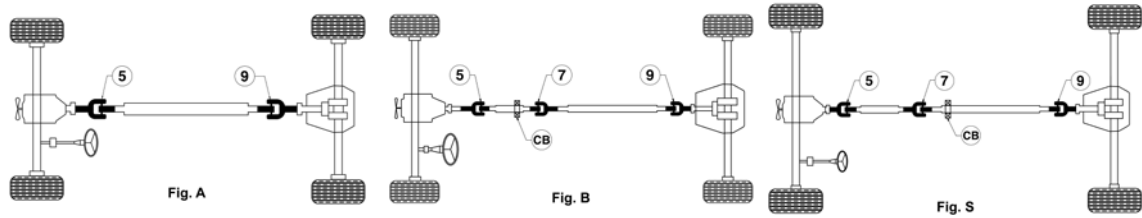
**International (Cont'd)**

Year	Model	Description	Fig.	Location	Spicer Part #	SPL (Uncoated) Part #	SPL (Coated) Part #
1969-1970	1200D	2-Piece Driveshaft	B	5,7,9	5-153X*	5-1310-1X* 5-1310X**	
1971-1973	1210	1-Piece Driveshaft	A	5,9	5-153X*	5-1310-1X* 5-1310X**	
	1210	2-Piece Driveshaft	B	5,7,9	5-153X*	5-1310-1X* 5-1310X**	
1966-1967	900A	1-Piece Driveshaft	A	5,9	5-153X*	5-1310-1X* 5-1310X**	
	900A	2-Piece Driveshaft	B	5,7,9	5-153X*	5-1310-1X* 5-1310X**	
1966-1972	M1200	1.062" Bearing Cup Dia.	B	5,7,9	5-1200X*		
	M1200	1.188" Bearing Cup Dia.	B	5,7,9	5-3250X*		
1969	M1400	1.062" Bearing Cup Dia.	B	5,7,9	5-153X*	5-1310-1X* 5-1310X**	
	M1400	1.188" Bearing Cup Dia.	B	5,7,9	5-3250X*		
1961-1966	Scout		A	5,9	5-2140X*		
1967-1971	Scout		A	5,9	5-153X*	5-1310-1X* 5-1310X**	
1971-1979	Scout II		A	5,9	5-153X*	5-1310-1X* 5-1310X**	

**ISUZU**

Year	Model	Description	Fig.	Location	Spicer Part #	SPL (Uncoated) Part #	SPL (Coated) Part #
1989-1994	Amigo		A	5,9	5-1515X*		
1998-1999	Amigo	w/ Aluminum Yoke	A	5,9		5-3613X**	
	Amigo	w/ Steel Yoke	A	5,9	5-153X*	5-1310-1X* 5-1310X**	
2000	Amigo	1-Piece Driveshaft	A	5,9	5-153X*	5-1310-1X* 5-1310X**	
2003-2008	Ascender	1-Piece Driveshaft	A	5,9	5-3147X*	5-795X**	
2002-2004	Axiom	1-Piece Driveshaft	A	5,9	5-153X*	5-1310-1X* 5-1310X**	
1997-1999	Hombre	Standard Cab; 1-Piece Driveshaft	A	5,9	5-3147X*	5-795X**	
	Hombre	Extended Cab; 2-Piece Driveshaft	S	5,7,9	5-3147X*	5-795X**	
2000	Hombre	1-Piece Driveshaft	A	5,9	5-3147X*	5-795X**	
2006	i-280	1-Piece Driveshaft	A	5	5-213X*	5-1330-1X* 5-1330X**	
	i-280	1-Piece Driveshaft	A	9	5-212X*	5-793X**	
	i-280	2-Piece Driveshaft	S	5,7	5-213X*	5-1330-1X* 5-1330X**	
	i-280	2-Piece Driveshaft	S	9	5-212X*	5-793X**	
2007-2008	i-290	1-Piece Driveshaft	A	5	5-213X*	5-1330-1X* 5-1330X**	
	i-290	1-Piece Driveshaft	A	9	5-212X*	5-793X**	
	i-290	2-Piece Driveshaft	S	5,7	5-213X*	5-1330-1X* 5-1330X**	
	i-290	2-Piece Driveshaft	S	9	5-212X*	5-793X**	
1981-1985	Pickup	1-Piece Driveshaft	A	5,9	5-101X**		
	Pickup	2-Piece Driveshaft	S	5,7,9	5-101X**		
1986-1987	Pickup	2.2L; 2.3L; 104.3" WB; 72.0" Bed; 1-Piece Driveshaft	A	5	5-101X**		
	Pickup	2.2L; 104.3" WB; 72.0" Bed; 1-Piece Driveshaft	A	9	5-101X**		
	Pickup	2.3L; 104.3" WB; 72.0" Bed; 1-Piece Driveshaft	A	9	5-1515X*		
	Pickup	2.2L; 2.3L; 117.9" WB; 85.0" Bed; 2-Piece Driveshaft	S	5,7	5-101X**		
	Pickup	2.2L; 117.9" WB; 85.0" Bed; 2-Piece Driveshaft	S	9	5-101X**		
1988	Pickup	105.6" WB; 72.0" Bed; 1-Piece Driveshaft; From 12/87	A	5,9	5-1515X*		

\* GREASEABLE \*\* NON-GREASEABLE



**Isuzu (Cont'd)**

Year	Model	Description	Fig.	Location	Spicer Part #	SPL (Uncoated) Part #	SPL (Coated) Part #
1988	Pickup	119.2" WB; 85.0" Bed; 2-Piece Driveshaft; From 12/87	S	5,7,9	5-1515X*		
1989	Pickup	105.6" WB; 72.0" Bed; 1-Piece Driveshaft; To 12/89	A	5,9	5-1515X*		
	Pickup	119.2" WB; 85.0" Bed; 2-Piece Driveshaft; To 12/89	S	5,7,9	5-1515X*		
1990	Pickup	105.6" WB; 72.0" Bed; 1-Piece Driveshaft; U.S.A. Built; To 12/89	A	5,9	5-1515X*		
	Pickup	119.2" WB; 85.0" Bed; 2-Piece Driveshaft; U.S.A. Built; To 12/89	S	5,7,9	5-1515X*		
1990-1995	Pickup	105.6" WB; 72.0" Bed; 1-Piece Driveshaft; Japan Built; Vin Starts JAA	A	5,9	5-1515X*		
	Pickup	119.2" WB; 85.0" Bed; 2-Piece Driveshaft; Japan Built; Vin Starts JAA	S	5,7,9	5-1515X*		
1991-1997	Rodeo		S	5,7,9	5-153X*	5-1310-1X* 5-1310X**	
1998-1999	Rodeo	w/ Aluminum Yoke	A	5,9		5-3613X**	
	Rodeo	w/ Steel Yoke	A	5,9	5-153X*	5-1310-1X* 5-1310X**	
2000-2004	Rodeo	1-Piece Driveshaft	A	5,9	5-153X*	5-1310-1X* 5-1310X**	
2001-2003	Rodeo Sport	1-Piece Driveshaft	A	5,9	5-153X*	5-1310-1X* 5-1310X**	
2000-2002	Trooper	1-Piece Driveshaft	A	5,9	5-3259-1X*		

**Jeep**

Year	Model	Description	Fig.	Location	Spicer Part #	SPL (Uncoated) Part #	SPL (Coated) Part #
1985-1993	Cherokee		A	5,9	5-153X*	5-1310-1X* 5-1310X**	
1994-1999	Cherokee	w/ Inside Snap Rings	A	5,9	5-1309X*	5-811X**	
	Cherokee	w/ Outside Snap Rings	A	5,9	5-153X*	5-1310-1X* 5-1310X**	
1995-1997	Cherokee	w/ Inside & Outside Snap Rings	A	5,9		5-788X**	
2000-2001	Cherokee	Auto Trans; 1-Piece Driveshaft	A	5,9	5-153X*	5-1310-1X* 5-1310X**	
	Cherokee	Standard Trans; 1-Piece Driveshaft	A	5,9	5-153X*	5-1310-1X* 5-1310X**	
1986-1992	Comanche		A	5,9	5-153X*	5-1310-1X* 5-1310X**	
1967-1973	Commando		A	5,9	5-3228X*	5-789X**	
1963-1965	Gladiator		A	5,9	5-153X*	5-1310-1X* 5-1310X**	
1993-1999	Grand Cherokee		A	5,9	5-153X*	5-1310-1X* 5-1310X**	
2000	Grand Cherokee	L6 4.0L; 1-Piece Driveshaft	A	5,9		5-1310-1X*	
	Grand Cherokee	L6 4.0L; 1-Piece Driveshaft; From 02/15/2001; To 04/23/2001	A	5,9	5-153X*	5-1310X**	
	Grand Cherokee	L6 4.0L; 1-Piece Driveshaft; From 04/24/2001; To 02/14/2001	A	5,9	5-153X*	5-1310X**	
	Grand Cherokee	V8 4.7L; 1-Piece Driveshaft	A	5,9		5-1310-1X*	
	Grand Cherokee	V8 4.7L; 1-Piece Driveshaft; From 02/15/2001; To 04/23/2001	A	5,9	5-153X*	5-1310X**	

\* GREASEABLE \*\* NON-GREASEABLE

**Jeep (Cont'd)**

Year	Model	Description	Fig.	Location	Spicer Part #	SPL (Uncoated) Part #	SPL (Coated) Part #
2000	Grand Cherokee	V8 4.7L; 1-Piece Driveshaft; From 04/24/2001; To 02/14/2001	A	5,9	5-153X*	5-1310X**	
2001	Grand Cherokee	L6 4.0L; 1-Piece Driveshaft; From 02/15/2001; To 04/23/2001	A	5,9	5-153X*	5-1310-1X* 5-1310X**	
	Grand Cherokee	L6 4.0L; 1-Piece Driveshaft; From 04/24/2001; To 02/14/2001	A	5,9	5-153X*	5-1310-1X* 5-1310X**	
	Grand Cherokee	V8 4.7L; 1-Piece Driveshaft; From 02/15/2001; To 04/23/2001	A	5,9	5-153X*	5-1310-1X* 5-1310X**	
	Grand Cherokee	V8 4.7L; 1-Piece Driveshaft; From 04/24/2001; To 02/14/2001	A	5,9	5-153X*	5-1310-1X* 5-1310X**	
2002-2004	Grand Cherokee	L6 4.0L; 1-Piece Driveshaft	A	5,9	5-153X*	5-1310-1X* 5-1310X**	
1967-1971	Jeepster		A	5,9	5-3228X*	5-789X**	
2002	Liberty	3.7L; Auto Trans; w/ Dana Axle	A	5	5-153X*	5-1310-1X* 5-1310X**	
	Liberty	2.4L	A	5,9	5-153X*	5-1310-1X* 5-1310X**	
	Liberty	3.7L; Auto Trans; w/ Chrysler Axle	A	5,9	5-213X*	5-1330-1X* 5-1330X**	
	Liberty	3.7L; Standard Trans	A	5,9	5-213X*	5-1330-1X* 5-1330X**	
	Liberty	3.7L; Auto Trans; w/ Dana Axle	A	9	5-213X*	5-1330-1X* 5-1330X**	
2003	Liberty	3.500" O.D. Yoke	A	5,9	5-153X*	5-1310-1X* 5-1310X**	
	Liberty	4.000" O.D. Yoke	A	5,9	5-213X*	5-1330-1X* 5-1330X**	
2007	Liberty		A	5,9	5-153X*	5-1310-1X* 5-1310X**	
1989	Wagoneer		A	5,9	5-153X*	5-1310-1X* 5-1310X**	

RWD

**Kia**

Year	Model	Description	Fig.	Location	Spicer Part #	SPL (Uncoated) Part #	SPL (Coated) Part #
1995-2001	Sportage	2-Piece Driveshaft	S	5,7,9	5-3245-1X*		

**Lincoln**

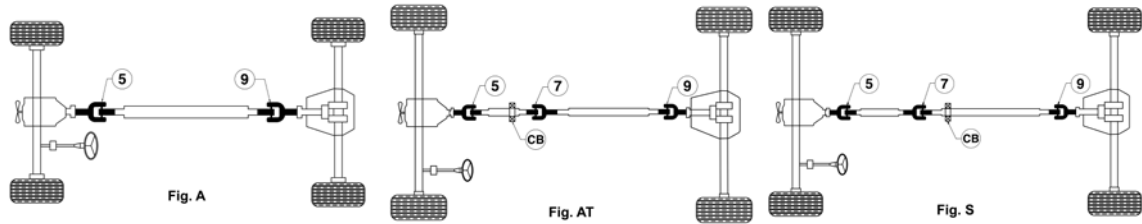
Year	Model	Description	Fig.	Location	Spicer Part #	SPL (Uncoated) Part #	SPL (Coated) Part #
2003-2005	Aviator		A	5,9	5-213X*	5-1330-1X* 5-1330X**	
2002	Blackwood		A	5,9	5-178X*	5-1350-1X* 5-1350X**	SPL30-1350XC**
2006	Mark LT	2-Piece Driveshaft	S	5,7,9	5-3203X**		
2006-2007	Mark LT	1-Piece Driveshaft	A	5,9	5-3203X**		
2007-2008	Mark LT	2-Piece Driveshaft	S	5,7,9	5-178X*	5-1350-1X* 5-1350X**	SPL30-1350XC**
2008	Mark LT	1-Piece Driveshaft	A	5,9	5-178X*	5-1350-1X* 5-1350X**	SPL30-1350XC**
1998-1999	Navigator		A	5,9	5-178X*	5-1350-1X* 5-1350X**	SPL30-1350XC**
2000-2004	Navigator	1-Piece Driveshaft	A	5,9	5-178X*	5-1350-1X* 5-1350X**	SPL30-1350XC**
2005-2006	Navigator	2-Piece Driveshaft	AT	7,9	5-3203X**		
2007-2017	Navigator	2-Piece Driveshaft	AT	7,9	5-178X*	5-1350-1X* 5-1350X**	SPL30-1350XC**

**Mazda**

Year	Model	Description	Fig.	Location	Spicer Part #	SPL (Uncoated) Part #	SPL (Coated) Part #
1972-1976	B1600	1-Piece Driveshaft	A	5,9	5-3216X*		
	B1600	2-Piece Driveshaft	S	5,7,9	5-3216X*		
1977-1978	B1800	1-Piece Driveshaft	A	5,9	5-3216X*		

\* GREASEABLE \*\* NON-GREASEABLE





**Mazda (Cont'd)**

Year	Model	Description	Fig.	Location	Spicer Part #	SPL (Uncoated) Part #	SPL (Coated) Part #
1977-1978	B1800	2-Piece Driveshaft	S	5,7,9	5-3216X*		
1979-1984	B2000	1-Piece Driveshaft	A	5,9	5-3216X*		
	B2000	2-Piece Driveshaft	S	5,7,9	5-3216X*		
1986-1987	B2000	89.7" Bed	S	7	5-3216X*		
1982-1984	B2200	1-Piece Driveshaft	A	5,9	5-3216X*		
	B2200	2-Piece Driveshaft	S	5,7,9	5-3216X*		
1987-1993	B2200		S	7	5-3216X*		
1994-1997	B2300	1-Piece Driveshaft	A	5,9	5-153X*	5-1310-1X* 5-1310X**	
	B2300	2-Piece Driveshaft	S	5,7,9	5-153X*	5-1310-1X* 5-1310X**	
2001-2009	B2300		A	5,9	5-213X*	5-1330-1X* 5-1330X**	
1998-2001	B2500		A	5,9	5-213X*	5-1330-1X* 5-1330X**	
1987-1993	B2600		S	7	5-3216X*		
1994-1996	B3000	Extended Cab; 2-Piece Driveshaft	S	5,7,9	5-153X*	5-1310-1X* 5-1310X**	
1997	B3000	Standard Cab; 1-Piece Driveshaft	A	5,9	5-153X*	5-1310-1X* 5-1310X**	
1998-2008	B3000		A	5,9	5-213X*	5-1330-1X* 5-1330X**	
1994	B4000	Standard Cab; 1-Piece Driveshaft	A	5,9	5-153X*	5-1310-1X* 5-1310X**	
1994-1997	B4000	Extended Cab; 2-Piece Driveshaft	S	5,7,9	5-153X*	5-1310-1X* 5-1310X**	
1998-2009	B4000		A	5,9	5-213X*	5-1330-1X* 5-1330X**	
1992-1994	Navajo		A	5,9	5-153X*	5-1310-1X* 5-1310X**	

RWD

**Mercury**

Year	Model	Description	Fig.	Location	Spicer Part #	SPL (Uncoated) Part #	SPL (Coated) Part #
1997-1999	Mountaineer		A	5,9	5-213X*	5-1330-1X* 5-1330X**	
2001-2005	Mountaineer	1-Piece Driveshaft	A	5,9	5-213X*	5-1330-1X* 5-1330X**	
2006-2010	Mountaineer	V6 4.0L; 1-Piece Driveshaft	A	5,9	5-213X*	5-1330-1X* 5-1330X**	
	Mountaineer	V8 4.6L; 1-Piece Driveshaft	A	5,9	5-213X*	5-1330-1X* 5-1330X**	

**Mitsubishi**

Year	Model	Description	Fig.	Location	Spicer Part #	SPL (Uncoated) Part #	SPL (Coated) Part #
1983-1985	Mighty Max	2.3L; 2.6L	S	5,7,9	5-3217X*		
1983-1986	Mighty Max	2.0L	S	5,7,9	5-1503X*		
1986	Mighty Max	2.6L	S	5,7,9	5-3217X*		
1987-1988	Mighty Max	2-Piece Driveshaft	S	5,7,9	5-3217X*		
1987-1989	Mighty Max	2.0L; 1-Piece Driveshaft	A	5,9	5-1503X*		
	Mighty Max	2.6L; 1-Piece Driveshaft	A	5,9	5-3217X*		

\* GREASEABLE \*\* NON-GREASEABLE

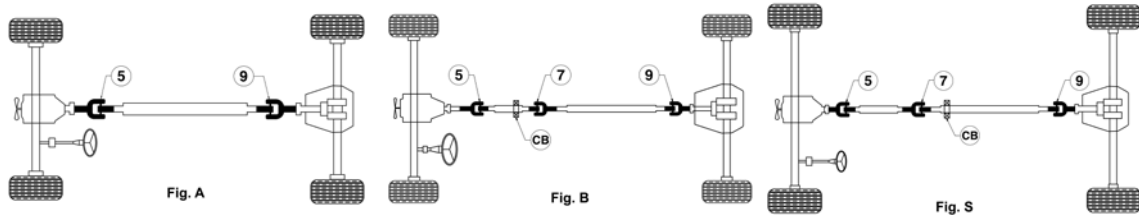
**Mitsubishi (Cont'd)**

Year	Model	Description	Fig.	Location	Spicer Part #	SPL (Uncoated) Part #	SPL (Coated) Part #
1989-1994	Mighty Max	Standard Trans; 2-Piece Driveshaft	S	5,7,9	5-3217X*		
1989-1996	Mighty Max	Auto Trans; 2-Piece Driveshaft	S	5,7,9	5-1503X*		
1990-1996	Mighty Max	Auto Trans; 1-Piece Driveshaft	A	5,9	5-1503X*		
	Mighty Max	Standard Trans; 1-Piece Driveshaft	A	5,9	5-3217X*		
1997-1999	Montero Sport	2.4L	B	5,7,9	5-3217X*		
	Montero Sport	3.0L	B	5,7,9	5-3243X*		
2000-2004	Montero Sport	2-Piece Driveshaft	S	5,7,9	5-3243X*		
2006-2007	Raider	1-Piece Driveshaft	A	5,9	5-213X*	5-1330-1X* 5-1330X**	
2006-2009	Raider	2-Piece Driveshaft	S	5,7,9	5-213X*	5-1330-1X* 5-1330X**	
1987	Van	From 4/1987	A	5,9	5-3217X*		
	Van	To 3/1987	A	5,9	5-1503X*		
1988-1990	Van		A	5,9	5-3217X*		

**Nissan**

Year	Model	Description	Fig.	Location	Spicer Part #	SPL (Uncoated) Part #	SPL (Coated) Part #
1966-1968	520 Pickup	Standard Bed; 1-Piece Driveshaft	A	5,9	5-1501X*		
	520 Pickup	Standard Bed; 2-Piece Driveshaft	B	5,7,9	5-1501X*		
1968-1972	521 Pickup	Standard Bed; 1-Piece Driveshaft	A	5,9	5-1501X*		
	521 Pickup	Standard Bed; 2-Piece Driveshaft	B	5,7,9	5-1501X*		
1975-1979	620	Standard Bed; 1-Piece Driveshaft	A	5,9	5-1501X*		
	620	Standard Bed; 2-Piece Driveshaft	B	5,7,9	5-1501X*		
1972-1974	620 Pickup	Standard Bed; 1-Piece Driveshaft	A	5,9	5-1501X*		
	620 Pickup	Standard Bed; 2-Piece Driveshaft	B	5,7,9	5-1501X*		
2005-2015	Armada	1-Piece Driveshaft	A	5	5-178X*	5-1350-1X* 5-1350X**	SPL30-1350XC**
1986-1989	D21	Standard Cab; 3.0L; 1-Piece Driveshaft; American Built; Vin starts 1N6	A	5,9	5-153X*	5-1310-1X* 5-1310X**	
	D21	Extended Cab; 3.0L; 2-Piece Driveshaft; American Built; Vin starts 1N6	B	5,7,9	5-153X*	5-1310-1X* 5-1310X**	
1990-1994	D21	3.0L; 1-Piece Driveshaft; American Built; Vin starts 1N6	A	5,9	5-153X*	5-1310-1X* 5-1310X**	
	D21	3.0L; 2-Piece Driveshaft; American Built; Vin starts 1N6	B	5,7,9	5-153X*	5-1310-1X* 5-1310X**	
2000-2004	Frontier	L4 2.4L; Standard Trans; 1-Piece Driveshaft	A	5,9	5-153X*	5-1310-1X* 5-1310X**	
	Frontier	L4 2.4L; Auto Trans; 2-Piece Driveshaft	S	5,7,9	5-153X*	5-1310-1X* 5-1310X**	
	Frontier	V6 3.3L; 2-Piece Driveshaft	S	5,7,9	5-153X*	5-1310-1X* 5-1310X**	
2005-2017	Frontier	L4 2.5L; 2-Piece Driveshaft	S	5,7,9	5-153X*	5-1310-1X* 5-1310X**	
	Frontier	V6 4.0L; 2-Piece Driveshaft	S	5,7,9	5-213X*	5-1330-1X* 5-1330X**	
2012-2017	NV1500	2-Piece Driveshaft	S	5	5-3208X**		
2012-2015	NV2500	V6 4.0L; 2-Piece Driveshaft	S	5	5-3208X**		
	NV2500	V8 5.6L; 2-Piece Driveshaft	S	5	5-3207X**		
2016-2017	NV2500	2-Piece Driveshaft	S	5	5-3207X**		
2012-2015	NV3500	V6 4.0L; 2-Piece Driveshaft	S	5	5-3208X**		
	NV3500	V8 5.6L; 2-Piece Driveshaft	S	5	5-3207X**		
2016-2017	NV3500	2-Piece Driveshaft	S	5	5-3207X**		
1989-1999	Pathfinder		B	5,7,9	5-3217X*		
2000-2003	Pathfinder	2-Piece Driveshaft	S	5	5-1505X*		
2005-2008	Pathfinder	1-Piece Driveshaft	A	5,9	5-213X*	5-1330-1X* 5-1330X**	
2008	Pathfinder	V6 4.0L; 1-Piece Driveshaft	A	5	5-213X*	5-1330-1X* 5-1330X**	
	Pathfinder	V8 5.6L; 1-Piece Driveshaft	A	5	5-178X*	5-1350-1X* 5-1350X**	SPL30-1350XC**

\* GREASEABLE \*\* NON-GREASEABLE



**Nissan (Cont'd)**

Year	Model	Description	Fig.	Location	Spicer Part #	SPL (Uncoated) Part #	SPL (Coated) Part #
2009-2011	Pathfinder	1-Piece Driveshaft	A	5,9	5-178X*	5-1350-1X* 5-1350X**	SPL30-1350XC**
2012	Pathfinder	1-Piece Driveshaft	A	5,9	5-213X*	5-1330-1X* 5-1330X**	
2004	Pathfinder Armada	1-Piece Driveshaft	A	5,9	5-178X*	5-1350-1X* 5-1350X**	SPL30-1350XC**
1966-1969	Patrol	Standard Bed; 1-Piece Driveshaft	A	5,9	5-1501X*		
	Patrol	Standard Bed; 2-Piece Driveshaft	B	5,7,9	5-1501X*		
1995-1997	Pickup	1-Piece Driveshaft; American Built; Vin starts 1N6	A	5,9	5-153X*	5-1310-1X* 5-1310X**	
	Pickup	2-Piece Driveshaft; American Built; Vin starts 1N6	B	5,7,9	5-153X*	5-1310-1X* 5-1310X**	
2004-2006	Titan	2-Piece Driveshaft	S	5,7	5-178X*	5-1350-1X* 5-1350X**	SPL30-1350XC**
2004-2013	Titan		B	CB	212258-1X		
2007-2015	Titan	2-Piece Driveshaft	S	5,7	5-160X*	5-1410-1X* 5-1410X**	
2017	Titan	2-Piece Driveshaft	S	5	5-160X*	5-1410-1X* 5-1410X**	
2016-2017	Titan XD	2-Piece Driveshaft	S	5,7	5-153X*	5-1310-1X* 5-1310X**	
2000-2004	Xterra	1-Piece Driveshaft	A	5,9	5-153X*	5-1310-1X* 5-1310X**	
	Xterra	2-Piece Driveshaft	B	5,7,9	5-153X*	5-1310-1X* 5-1310X**	
2005-2015	Xterra	1-Piece Driveshaft	A	5	5-213X*	5-1330-1X* 5-1330X**	

R  
W  
D

**Oldsmobile**

Year	Model	Description	Fig.	Location	Spicer Part #	SPL (Uncoated) Part #	SPL (Coated) Part #
2002-2004	Bravada		A	5,9	5-3147X*	5-795X**	

**Plymouth**

Year	Model	Description	Fig.	Location	Spicer Part #	SPL (Uncoated) Part #	SPL (Coated) Part #
1979-1982	Arrow Pickup	2.0L	A	5,9	5-1503X*		
	Arrow Pickup	2.6L	A	5,9	5-3217X*		
1975-1977	PB100		A	5,9	5-3228X*	5-789X**	
1978-1980	PB100	w/ 2.125" Snap Ring	A	5,9	5-3228X*	5-789X**	
	PB100	w/ 2.625" Snap Ring	A	5,9	5-1309X*	5-811X**	
1974	PB100 Van		A	5,9	5-3228X*	5-789X**	
1981	PB150	w/ 2.125" Snap Ring	A	5,9	5-3228X*	5-789X**	
	PB150	w/ 2.625" Snap Ring	A	5,9	5-1309X*	5-811X**	
1982-1983	PB150		A	5,9	5-3228X*	5-789X**	
1975-1980	PB200	w/ 2.125" Snap Ring	A	5,9	5-3228X*	5-789X**	
	PB200	w/ 2.625" Snap Ring	A	5,9	5-1309X*	5-811X**	
1981	PB250	w/ 2.125" Snap Ring	A	5,9	5-3228X*	5-789X**	
	PB250	w/ 2.625" Snap Ring	A	5,9	5-1309X*	5-811X**	
1982-1983	PB250		A	5,9	5-3228X*	5-789X**	
1975-1980	PB300	1-Piece Driveshaft; w/ 2.125" Snap Ring	A	5,9	5-3228X*	5-789X**	

\* GREASEABLE \*\* NON-GREASEABLE

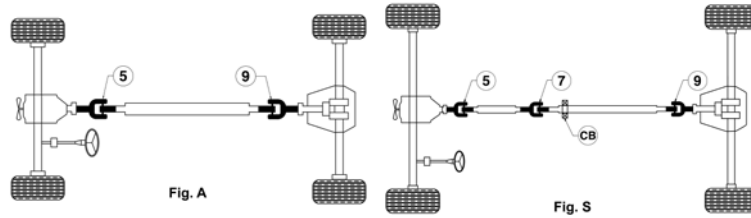
**Plymouth (Cont'd)**

Year	Model	Description	Fig.	Location	Spicer Part #	SPL (Uncoated) Part #	SPL (Coated) Part #
1975-1980	PB300	1-Piece Driveshaft; w/ 2.625" Snap Ring	A	5,9	5-1309X*	5-811X**	
	PB300	2-Piece Driveshaft; w/ 2.125" Snap Ring	S	5,7,9	5-3228X*	5-789X**	
	PB300	2-Piece Driveshaft; w/ 2.625" Snap Ring	S	5,7,9	5-1309X*	5-811X**	
1974	PB300 Van	1-Piece Driveshaft; w/ 2.125" Snap Ring	A	5,9	5-3228X*	5-789X**	
	PB300 Van	1-Piece Driveshaft; w/ 2.625" Snap Ring	A	5,9	5-1309X*	5-811X**	
	PB300 Van	2-Piece Driveshaft; w/ 2.125" Snap Ring	S	5,7,9	5-3228X*	5-789X**	
	PB300 Van	2-Piece Driveshaft; w/ 2.625" Snap Ring	S	5,7,9	5-1309X*	5-811X**	
1981	PB350	1-Piece Driveshaft; w/ 2.125" Snap Ring	A	5,9	5-3228X*	5-789X**	
	PB350	1-Piece Driveshaft; w/ 2.625" Snap Ring	A	5,9	5-1309X*	5-811X**	
	PB350	2-Piece Driveshaft; w/ 2.125" Snap Ring	S	5,7,9	5-3228X*	5-789X**	
	PB350	2-Piece Driveshaft; w/ 2.625" Snap Ring	S	5,7,9	5-1309X*	5-811X**	
1982-1983	PB350	1-Piece Driveshaft	A	5,9	5-3228X*	5-789X**	
	PB350	2-Piece Driveshaft	S	5,7,9	5-3228X*	5-789X**	
1974-1981	Trailduster	w/ 2.125" Snap Ring	A	5,9	5-3228X*	5-789X**	
	Trailduster	w/ 2.625" Snap Ring	A	5,9	5-1309X*	5-811X**	

**Ram**

Year	Model	Description	Fig.	Location	Spicer Part #	SPL (Uncoated) Part #	SPL (Coated) Part #
2011	1500	Exc. Big Horn & SXT; 1-Piece Driveshaft	A	5,9	5-178X*	5-1350-1X* 5-1350X**	SPL30-1350XC**
	1500	Exc. Big Horn & SXT; 2-Piece Driveshaft	S	5,7,9	5-213X*	5-1330-1X* 5-1330X**	
2012	1500	Exc. Tradesman HD; 1-Piece Driveshaft	A	5,9	5-178X*	5-1350-1X* 5-1350X**	SPL30-1350XC**
	1500	Exc. Tradesman HD; 2-Piece Driveshaft	S	5,7,9	5-213X*	5-1330-1X* 5-1330X**	
	1500	Tradesman HD; 2-Piece Driveshaft	S	5,7,9	5-3207X**		
2013	1500	Exc. ST & SXT; 2-Piece Driveshaft	S	5,7,9	5-213X*	5-1330-1X* 5-1330X**	
2013-2017	1500	Exc. ST & SXT; 1-Piece Driveshaft	A	5,9	5-178X*	5-1350-1X* 5-1350X**	SPL30-1350XC**
2014-2017	1500	Exc. ST & SXT; 2-Piece Driveshaft	S	5,7,9	5-178X*	5-1350-1X* 5-1350X**	SPL30-1350XC**
2011	2500	L6 6.7L; Exc. Outdoorsman & SXT; 1-Piece Driveshaft	A	5,9	5-3206X**		
	2500	V8 5.7L; Exc. Outdoorsman & SXT; 1-Piece Driveshaft	A	5,9	5-3207X**		
	2500	L6 6.7L; Exc. Outdoorsman & SXT; 2-Piece Driveshaft	S	5,7,9	5-3206X**		
	2500	V8 5.7L; Exc. Outdoorsman & SXT; 2-Piece Driveshaft	S	5,7,9	5-3207X**		
2012	2500	L6 6.7L; 1-Piece Driveshaft	A	5,9	5-3206X**		
	2500	V8 5.7L; 1-Piece Driveshaft	A	5,9	5-3207X**		
	2500	L6 6.7L; 2-Piece Driveshaft	S	5,7,9	5-3206X**		
	2500	V8 5.7L; 2-Piece Driveshaft	S	5,7,9	5-3207X**		
2013	2500	Exc. SXT; 1-Piece Driveshaft	A	5,9	5-3207X**		
	2500	Exc. SXT; 2-Piece Driveshaft	S	5,7,9	5-155X*	SPL70-1X* SPL70X**	
2014-2017	2500	Exc. ST; 1-Piece Driveshaft	A	5,9	5-3207X**		
	2500	Exc. ST; 2-Piece Driveshaft	S	5,7,9	5-155X*	SPL70-1X* SPL70X**	
2011	3500	L6 6.7L; Laramie Longhorn; 1-Piece Driveshaft; Dual Rear Wheels	A	5,9	5-3230X**		
	3500	L6 6.7L; Laramie Longhorn; 1-Piece Driveshaft; Single Rear Wheels	A	5,9	5-3206X**		
	3500	L6 6.7L; Laramie Longhorn; 2-Piece Driveshaft; Dual Rear Wheels	S	5,7,9	5-3230X**		
	3500	L6 6.7L; Laramie Longhorn; 2-Piece Driveshaft; Single Rear Wheels	S	5,7,9	5-3206X**		
	3500	L6 6.7L; Laramie; Cab & Chassis; 2-Piece Driveshaft; Dual Rear Wheels	S	5,7,9	5-3230X**		

\* GREASEABLE \*\* NON-GREASEABLE



**Ram (Cont'd)**

Year	Model	Description	Fig.	Location	Spicer Part #	SPL (Uncoated) Part #	SPL (Coated) Part #
2011	3500	L6 6.7L; Laramie; Cab & Chassis; 2-Piece Driveshaft; Single Rear Wheels	S	5,7,9	5-3206X**		
	3500	L6 6.7L; Laramie; Crew Cab; 2-Piece Driveshaft; Dual Rear Wheels	S	5,7,9	5-3230X**		
	3500	L6 6.7L; Laramie; Crew Cab; 2-Piece Driveshaft; Single Rear Wheels	S	5,7,9	5-3206X**		
	3500	L6 6.7L; Laramie; Extended Crew Cab; 2-Piece Driveshaft; Dual Rear Wheels	S	5,7,9	5-3230X**		
	3500	L6 6.7L; Laramie; Extended Crew Cab; 2-Piece Driveshaft; Single Rear Wheels	S	5,7,9	5-3206X**		
	3500	L6 6.7L; SLT; Cab & Chassis; 2-Piece Driveshaft; Dual Rear Wheels	S	5,7,9	5-3230X**		
	3500	L6 6.7L; SLT; Cab & Chassis; 2-Piece Driveshaft; Single Rear Wheels	S	5,7,9	5-3206X**		
	3500	L6 6.7L; SLT; Crew Cab; 2-Piece Driveshaft; Dual Rear Wheels	S	5,7,9	5-3230X**		
	3500	L6 6.7L; SLT; Crew Cab; 2-Piece Driveshaft; Single Rear Wheels	S	5,7,9	5-3206X**		
	3500	L6 6.7L; SLT; Extended Crew Cab; 2-Piece Driveshaft; Dual Rear Wheels	S	5,7,9	5-3230X**		
	3500	L6 6.7L; SLT; Extended Crew Cab; 2-Piece Driveshaft; Single Rear Wheels	S	5,7,9	5-3206X**		
	3500	L6 6.7L; SLT; Standard Cab; 2-Piece Driveshaft; Dual Rear Wheels	S	5,7,9	5-3230X**		
	3500	L6 6.7L; SLT; Standard Cab; 2-Piece Driveshaft; Single Rear Wheels	S	5,7,9	5-3206X**		
	3500	L6 6.7L; ST; Cab & Chassis; 2-Piece Driveshaft; Dual Rear Wheels	S	5,7,9	5-3230X**		
	3500	L6 6.7L; ST; Cab & Chassis; 2-Piece Driveshaft; Single Rear Wheels	S	5,7,9	5-3206X**		
	3500	L6 6.7L; ST; Crew Cab; 2-Piece Driveshaft; Dual Rear Wheels	S	5,7,9	5-3230X**		
	3500	L6 6.7L; ST; Crew Cab; 2-Piece Driveshaft; Single Rear Wheels	S	5,7,9	5-3206X**		
	3500	L6 6.7L; ST; Standard Cab; 2-Piece Driveshaft; Dual Rear Wheels	S	5,7,9	5-3230X**		
	3500	L6 6.7L; ST; Standard Cab; 2-Piece Driveshaft; Single Rear Wheels	S	5,7,9	5-3206X**		
	3500	V8 5.7L; Laramie; 2-Piece Driveshaft; Dual Rear Wheels	S	5,7,9	5-3230X**		
	3500	V8 5.7L; Laramie; 2-Piece Driveshaft; Single Rear Wheels	S	5,7,9	5-3206X**		
3500	V8 5.7L; SLT; 2-Piece Driveshaft; Dual Rear Wheels	S	5,7,9	5-3230X**			
3500	V8 5.7L; SLT; 2-Piece Driveshaft; Single Rear Wheels	S	5,7,9	5-3206X**			
3500	V8 5.7L; ST; 2-Piece Driveshaft; Dual Rear Wheels	S	5,7,9	5-3230X**			
3500	V8 5.7L; ST; 2-Piece Driveshaft; Single Rear Wheels	S	5,7,9	5-3206X**			
2011-2012	3500	L6 6.7L; Laramie; Cab & Chassis; Auto Trans; 1-Piece Driveshaft	A	5,9	5-3230X**		

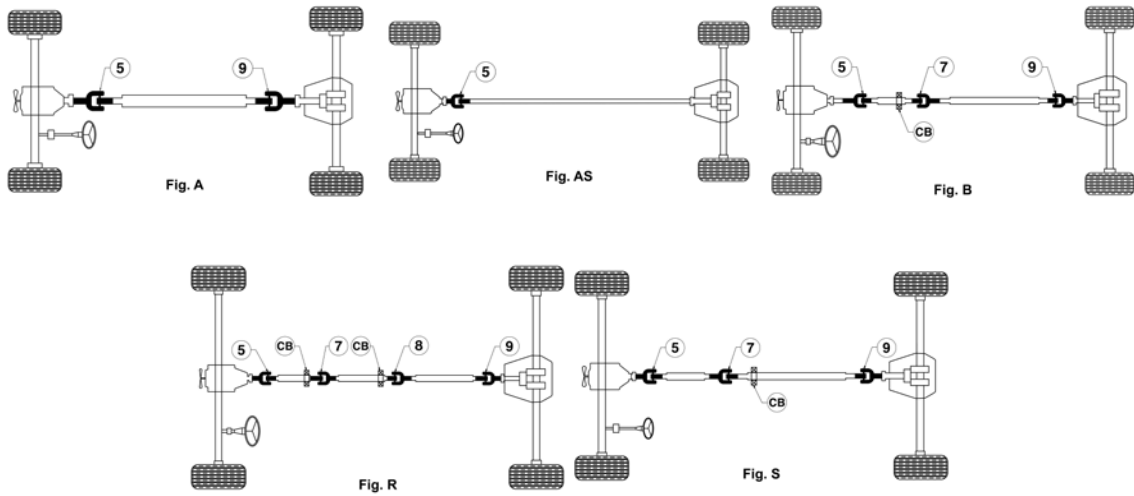
\* GREASEABLE \*\* NON-GREASEABLE

RWD

**Ram (Cont'd)**

Year	Model	Description	Fig.	Location	Spicer Part #	SPL (Uncoated) Part #	SPL (Coated) Part #
2011-2012	3500	L6 6.7L; Laramie; Cab & Chassis; Standard Trans; 1-Piece Driveshaft	A	5,9	5-3230X**		
	3500	L6 6.7L; Laramie; Crew Cab; 1-Piece Driveshaft; Dual Rear Wheels	A	5,9	5-3230X**		
	3500	L6 6.7L; Laramie; Crew Cab; 1-Piece Driveshaft; Single Rear Wheels	A	5,9	5-3206X**		
	3500	L6 6.7L; Laramie; Extended Crew Cab; 1-Piece Driveshaft; Dual Rear Wheels	A	5,9	5-3230X**		
	3500	L6 6.7L; Laramie; Extended Crew Cab; 1-Piece Driveshaft; Single Rear Wheels	A	5,9	5-3206X**		
	3500	L6 6.7L; SLT; Cab & Chassis; Auto Trans; 1-Piece Driveshaft	A	5,9	5-3230X**		
	3500	L6 6.7L; SLT; Cab & Chassis; Standard Trans; 1-Piece Driveshaft	A	5,9	5-3230X**		
	3500	L6 6.7L; SLT; Crew Cab; 1-Piece Driveshaft; Dual Rear Wheels	A	5,9	5-3230X**		
	3500	L6 6.7L; SLT; Crew Cab; 1-Piece Driveshaft; Single Rear Wheels	A	5,9	5-3206X**		
	3500	L6 6.7L; SLT; Extended Crew Cab; 1-Piece Driveshaft; Dual Rear Wheels	A	5,9	5-3230X**		
	3500	L6 6.7L; SLT; Extended Crew Cab; 1-Piece Driveshaft; Single Rear Wheels	A	5,9	5-3206X**		
	3500	L6 6.7L; SLT; Standard Cab; 1-Piece Driveshaft; Dual Rear Wheels	A	5,9	5-3230X**		
	3500	L6 6.7L; SLT; Standard Cab; 1-Piece Driveshaft; Single Rear Wheels	A	5,9	5-3206X**		
	3500	L6 6.7L; ST; Cab & Chassis; Auto Trans; 1-Piece Driveshaft	A	5,9	5-3230X**		
	3500	L6 6.7L; ST; Cab & Chassis; Standard Trans; 1-Piece Driveshaft	A	5,9	5-3230X**		
	3500	L6 6.7L; ST; Crew Cab; 1-Piece Driveshaft; Dual Rear Wheels	A	5,9	5-3230X**		
	3500	L6 6.7L; ST; Crew Cab; 1-Piece Driveshaft; Single Rear Wheels	A	5,9	5-3206X**		
	3500	L6 6.7L; ST; Standard Cab; 1-Piece Driveshaft; Dual Rear Wheels	A	5,9	5-3230X**		
	3500	L6 6.7L; ST; Standard Cab; 1-Piece Driveshaft; Single Rear Wheels	A	5,9	5-3206X**		
	2012	3500	V8 5.7L; Laramie; 1-Piece Driveshaft	A	5,9	5-3230X**	
3500		V8 5.7L; SLT; 1-Piece Driveshaft	A	5,9	5-3230X**		
3500		V8 5.7L; ST; 1-Piece Driveshaft	A	5,9	5-3230X**		
2012	3500	Laramie Longhorn; 1-Piece Driveshaft; Dual Rear Wheels	A	5,9	5-3230X**		
	3500	Laramie Longhorn; 1-Piece Driveshaft; Single Rear Wheels	A	5,9	5-3206X**		
2012	3500	2-Piece Driveshaft; Dual Rear Wheels	S	5,7,9	5-3230X**		
	3500	2-Piece Driveshaft; Single Rear Wheels	S	5,7,9	5-3206X**		
2013	3500	Exc. SXT; 1-Piece Driveshaft	A	5,9	5-155X*	SPL70-1X* SPL70X**	
	3500	Exc. SXT; 2-Piece Driveshaft	S	5,7,9	5-155X*	SPL70-1X* SPL70X**	
2014-2017	3500	Exc. ST; 1-Piece Driveshaft	A	5,9	5-155X*	SPL70-1X* SPL70X**	
	3500	Exc. ST; 2-Piece Driveshaft	S	5,7,9	5-155X*	SPL70-1X* SPL70X**	
2011	4500	1-Piece Driveshaft	A	5,9	5-155X*	SPL70-1X* SPL70X**	
	4500	3-Piece Driveshaft	R	5,7,8,9	5-155X*	SPL70-1X* SPL70X**	
2012	4500	1-Piece Driveshaft	A	5,9	5-3230X**		
2014-2015	4500	Exc. ST; 1-Piece Driveshaft	A	5,9	5-155X*	SPL70-1X* SPL70X**	
	4500	Exc. ST; 2-Piece Driveshaft	S	5,7,9	5-155X*	SPL70-1X* SPL70X**	

\* GREASEABLE \*\* NON-GREASEABLE



**Ram (Cont'd)**

Year	Model	Description	Fig.	Location	Spicer Part #	SPL (Uncoated) Part #	SPL (Coated) Part #
2016-2017	4500	1-Piece Driveshaft	A	5,9	5-155X*	SPL70-1X* SPL70X**	
	4500	2-Piece Driveshaft	S	5,7,9	5-155X*	SPL70-1X* SPL70X**	
2011	5500	1-Piece Driveshaft	A	5,9	5-155X*	SPL70-1X* SPL70X**	
	5500	3-Piece Driveshaft	R	5,7,8,9	5-155X*	SPL70-1X* SPL70X**	
2012	5500	1-Piece Driveshaft	A	5,9	5-3230X**		
2015	5500	Exc. ST; 1-Piece Driveshaft	A	5,9	5-155X*	SPL70-1X* SPL70X**	
	5500	Exc. ST; 2-Piece Driveshaft	S	5,7,9	5-155X*	SPL70-1X* SPL70X**	
2016-2017	5500	1-Piece Driveshaft	A	5,9	5-155X*	SPL70-1X* SPL70X**	
	5500	2-Piece Driveshaft	S	5,7,9	5-155X*	SPL70-1X* SPL70X**	
2011	Dakota	1-Piece Driveshaft	A	5,9	5-213X*	5-1330-1X* 5-1330X**	
	Dakota	2-Piece Driveshaft	B	5,7,9	5-213X*	5-1330-1X* 5-1330X**	

**Suzuki**

Year	Model	Description	Fig.	Location	Spicer Part #	SPL (Uncoated) Part #	SPL (Coated) Part #
2009-2012	Equator	2-Piece Driveshaft	S	5,7,9	5-153X*	5-1310-1X* 5-1310X**	
1999	Grand Vitara	Auto Trans	A	5,9	5-1503X*		
	Grand Vitara	Standard Trans	A	5,9	5-3257X*		
2000-2005	Grand Vitara	Auto Trans; 1-Piece Driveshaft	A	5,9	5-1503X*		
	Grand Vitara	Standard Trans; 1-Piece Driveshaft	A	5,9	5-3257X*		
2006-2013	Grand Vitara	1-Piece Driveshaft	A	5,9	5-3257X*		
1990-1998	Sidekick		A	5,9	5-1503X*		
1999	Vitara		A	5,9	5-1503X*		
2000-2003	Vitara	1-Piece Driveshaft	A	5,9	5-1503X*		
2004	Vitara	Auto Trans; 1-Piece Driveshaft	A	5,9	5-1503X*		
	Vitara	Standard Trans; 1-Piece Driveshaft	A	5,9	5-3257X*		
2002-2006	XL-7	1-Piece Driveshaft	AS	5	5-3257X*		

\* GREASEABLE \*\* NON-GREASEABLE

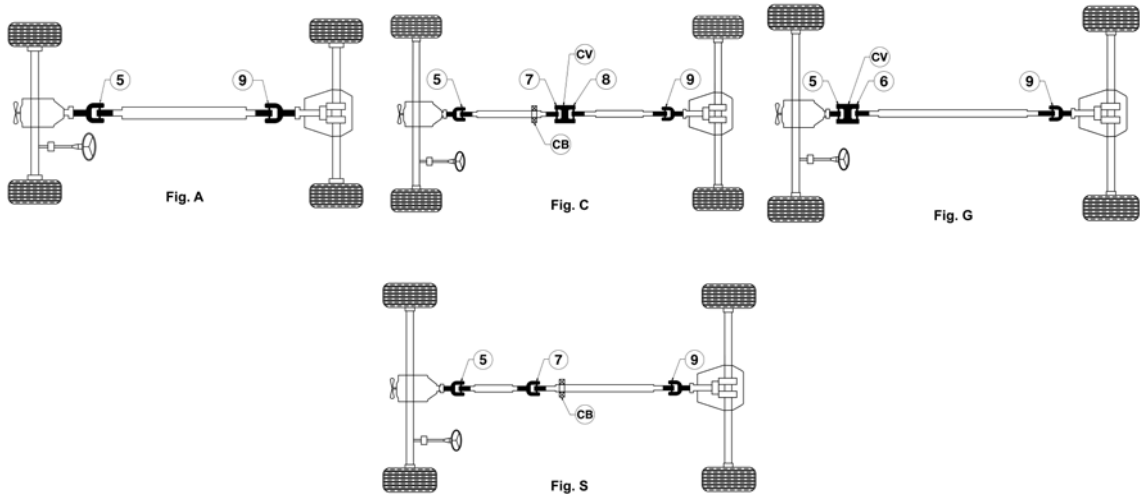
R  
W  
D

**Toyota**

Year	Model	Description	Fig.	Location	Spicer Part #	SPL (Uncoated) Part #	SPL (Coated) Part #
1990-1999	4Runner		A	5,9	5-1510X*		
2000-2015	4Runner	1-Piece Driveshaft	A	5,9	5-1510X*		
2007-2014	FJ Cruiser	1-Piece Driveshaft	A	5,9	5-1510X*		
1969-1978	Pickup		A	5,9	5-1508X*		
1979-1983	Pickup	1/2 Ton; 1-Piece Driveshaft	A	5,9	5-1510X*		
	Pickup	Exc. 1/2 Ton; 1-Piece Driveshaft	A	5,9	5-1508X*		
	Pickup	1/2 Ton; 2-Piece Driveshaft	S	5,7,9	5-1510X*		
	Pickup	Exc. 1/2 Ton; 2-Piece Driveshaft	S	5,7,9	5-1508X*		
1984-1988	Pickup	4-Speed; Auto Trans; 1-Piece Driveshaft	A	5,9	5-1510X*		
	Pickup	4-Speed; Standard Trans; 1-Piece Driveshaft	A	5,9	5-1508X*		
	Pickup	5-Speed; 1-Piece Driveshaft	A	5,9	5-1510X*		
	Pickup	4-Speed; Auto Trans; 2-Piece Driveshaft	S	5,7,9	5-1510X*		
	Pickup	4-Speed; Standard Trans; 2-Piece Driveshaft	S	5,7,9	5-1508X*		
1989-1995	Pickup	5-Speed; 2-Piece Driveshaft	S	5,7,9	5-1510X*		
	Pickup	1-Piece Driveshaft; w/ Inside Snap Rings	A	5,9	5-1510X*		
	Pickup	1-Piece Driveshaft; w/ Outside Snap Rings	A	5,9	5-153X*	5-1310-1X* 5-1310X**	
	Pickup	2-Piece Driveshaft	S	5,7,9	5-1510X*		
1991-1992	Previa	Auto	A	5,9	5-1510X*		
2001-2004	Sequoia	1-Piece Driveshaft	A	5,9	5-153X*	5-1310-1X* 5-1310X**	
2008-2017	Sequoia	1-Piece Driveshaft	A	5,9	5-178X*	5-1350-1X* 5-1350X**	SPL30-1350XC**
1993-1996	T100	w/ Inside Snap Rings	S	5,7,9	5-1510X*		
	T100	w/ Outside Snap Rings	S	5,7,9	5-153X*	5-1310-1X* 5-1310X**	
1997-1998	T100		S	5,7,9	5-153X*	5-1310-1X* 5-1310X**	
1995-1997	Tacoma	Standard Cab; 1-Piece Driveshaft; w/ Inside Snap Rings	A	5,9	5-1510X*		
	Tacoma	Standard Cab; 1-Piece Driveshaft; w/ Outside Snap Rings	A	5,9	5-153X*	5-1310-1X* 5-1310X**	
	Tacoma	Extended Cab; 2-Piece Driveshaft	S	5,7,9	5-1510X*		
1998	Tacoma	DLX; Standard Cab; 1-Piece Driveshaft; w/ Inside Snap Rings	A	5,9	5-1510X*		
	Tacoma	DLX; Standard Cab; 1-Piece Driveshaft; w/ Outside Snap Rings	A	5,9	5-153X*	5-1310-1X* 5-1310X**	
1998-1999	Tacoma	Pre Runner; Extended Cab; 1-Piece Driveshaft; CV at Center Bearing	C	5,9	5-1510X*		
	Tacoma	Base; DLX; Extended Cab; 2-Piece Driveshaft	S	5,7,9	5-1510X*		
1999	Tacoma	Base; DLX; Standard Cab; 1-Piece Driveshaft; w/ Inside Snap Rings	A	5,9	5-1510X*		
	Tacoma	Base; DLX; Standard Cab; 1-Piece Driveshaft; w/ Outside Snap Rings	A	5,9	5-153X*	5-1310-1X* 5-1310X**	
	Tacoma	Pre Runner; Standard Cab; 1-Piece Driveshaft; CV at Trans	G	9	5-1510X*		
2000	Tacoma	L4 2.7L; SR5; 1-Piece Driveshaft	A	5,9	5-1510X*		
	Tacoma	L4 2.4L; SR5; 2-Piece Driveshaft; Extra Cab	S	5,7,9	5-1510X*		
	Tacoma	V6 3.4L; SR5; 2-Piece Driveshaft	S	5,7,9	5-1510X*		
2000-2002	Tacoma	L4 2.7L; Base; 1-Piece Driveshaft	A	5,9	5-1510X*		
	Tacoma	L4 2.7L; Pre Runner; 1-Piece Driveshaft	A	5,9	5-1510X*		
2000-2004	Tacoma	L4 2.4L; Base; Standard Cab; 1-Piece Driveshaft; Dana Axle	A	5,9	5-153X*	5-1310-1X* 5-1310X**	
	Tacoma	L4 2.4L; Base; Standard Cab; 1-Piece Driveshaft; Exc. Dana Axle	A	5,9	5-1510X*		
	Tacoma	V6 3.4L; Pre Runner; 2-Piece Driveshaft	C	5,9	5-1510X*		
	Tacoma	L4 2.4L; Base; 2-Piece Driveshaft; Extra Cab	S	5,7,9	5-1510X*		
	Tacoma	V6 3.4L; Base; 2-Piece Driveshaft	S	5,7,9	5-1510X*		
2001-2004	Tacoma	V6 3.4L; S-Runner; 2-Piece Driveshaft	S	5,7,9	5-1510X*		
2003-2004	Tacoma	L4 2.7L; Base; Standard Cab; 1-Piece Driveshaft	A	5,9	5-1510X*		

\* GREASEABLE \*\* NON-GREASEABLE





**Toyota (Cont'd)**

Year	Model	Description	Fig.	Location	Spicer Part #	SPL (Uncoated) Part #	SPL (Coated) Part #
2003-2004	Tacoma	L4 2.7L; Pre Runner; Standard Cab; 1-Piece Driveshaft	A	5,9	5-1510X*		
	Tacoma	L4 2.7L; Base; 2-Piece Driveshaft; Extra Cab	C	5,9	5-1510X*		
	Tacoma	L4 2.7L; Pre Runner; 2-Piece Driveshaft; Extra Cab	C	5,9	5-1510X*		
2005-2014	Tacoma	1-Piece Driveshaft	A	5,9	5-213X*	5-1330-1X* 5-1330X**	
2005-2017	Tacoma	2-Piece Driveshaft	S	5,7,9	5-213X*	5-1330-1X* 5-1330X**	
2000-2004	Tundra	2-Piece Driveshaft	S	5,7,9	5-153X*	5-1310-1X* 5-1310X**	
2005-2006	Tundra	2-Piece Driveshaft	S	5,7,9	5-213X*	5-1330-1X* 5-1330X**	
2007-2017	Tundra	1-Piece Driveshaft	A	5,9	5-178X*	5-1350-1X* 5-1350X**	SPL30-1350XC**
	Tundra	2-Piece Driveshaft	S	5,7,9	5-178X*	5-1350-1X* 5-1350X**	SPL30-1350XC**
1984-1985	Van		A	5,9	5-3223X*		

\* GREASEABLE \*\* NON-GREASEABLE

R  
W  
D

**Acura**

Year	Model	Description	Fig.	Location	Spicer Part #	SPL (Uncoated) Part #	SPL (Coated) Part #
1996-1997	SLX		N	2,3,5,7,9	5-1515X*		
1998-1999	SLX		L	2,3	5-1515X*		
	SLX		L	5,9	5-3259-1X*		

**AM General**

Year	Model	Description	Fig.	Location	Spicer Part #	SPL (Uncoated) Part #	SPL (Coated) Part #
2000-2001	Hummer	1-Piece Driveshaft	IA	2,3,4	5-213X*	5-1330-1X* 5-1330X**	
	Hummer	1-Piece Driveshaft	IA	5,9	5-178X*	5-1350-1X* 5-1350X**	SPL30-1350XC**

**Buick**

Year	Model	Description	Fig.	Location	Spicer Part #	SPL (Uncoated) Part #	SPL (Coated) Part #
2004-2007	Rainier		L	2	5-3213X*	5-1410-1X* 5-1410X**	
	Rainier		L	5,9	5-3147X*	5-795X**	

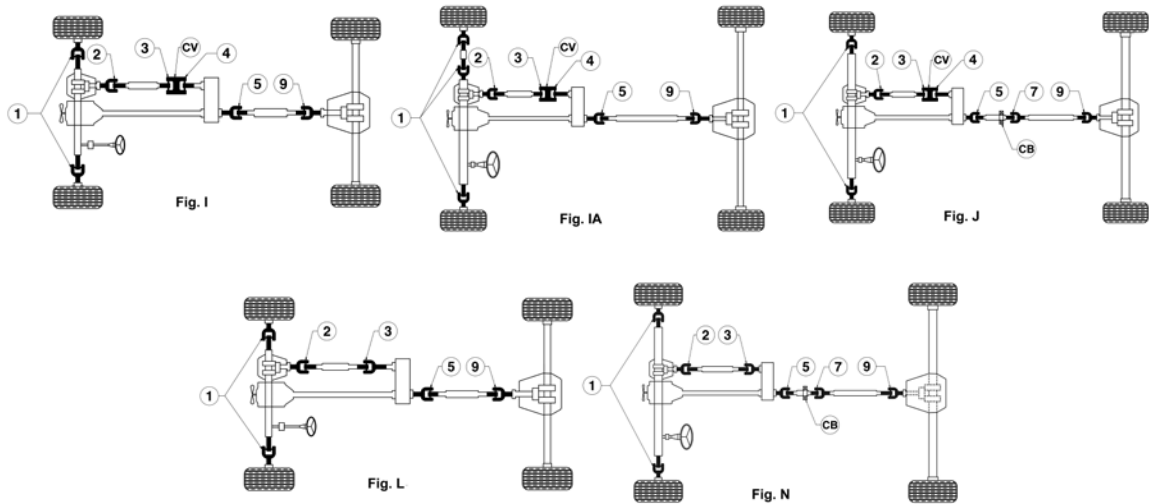
**Cadillac**

Year	Model	Description	Fig.	Location	Spicer Part #	SPL (Uncoated) Part #	SPL (Coated) Part #
2002-2006	Escalade	V8 6.0L; 1-Piece Driveshaft	L	2,3,5,9	5-3147X*	5-795X**	
2005	Escalade	V8 5.3L; 1-Piece Driveshaft	L	2,3,5,9	5-3147X*	5-795X**	
2007	Escalade	V8 6.2L; 1-Piece Driveshaft	L	2,3,5,9	5-3147X*	5-795X**	
2008	Escalade	1-Piece Driveshaft	L	2,3,5,9	5-3147X*	5-795X**	
2009-2016 2010	Escalade	1-Piece Driveshaft	L	2,3	5-3147X*	5-795X**	
	Escalade	Base; 1-Piece Driveshaft	L	5,9	5-178X*	5-1350-1X* 5-1350X**	SPL30-1350XC**
	Escalade	Hybrid Platinum; 1-Piece Driveshaft	L	5,9	5-178X*	5-1350-1X* 5-1350X**	SPL30-1350XC**
	Escalade	Hybrid; 1-Piece Driveshaft	L	5,9	5-3147X*	5-795X**	
	Escalade	Platinum; 1-Piece Driveshaft	L	5,9	5-178X*	5-1350-1X* 5-1350X**	SPL30-1350XC**
2011-2014	Escalade	1-Piece Driveshaft	L	5,9	5-178X*	5-1350-1X* 5-1350X**	SPL30-1350XC**
2015-2016	Escalade	1-Piece Driveshaft	L	5,9	5-160X*	5-1410-1X* 5-1410X**	
2004	Escalade ESV	1-Piece Driveshaft	L	2,3,5	5-3147X*	5-795X**	
2005-2008	Escalade ESV	1-Piece Driveshaft	L	2,3,5,9	5-3147X*	5-795X**	
2009-2014	Escalade ESV	1-Piece Driveshaft	L	2,3	5-3147X*	5-795X**	
	Escalade ESV	1-Piece Driveshaft	L	5,9	5-178X*	5-1350-1X* 5-1350X**	SPL30-1350XC**
2015-2016	Escalade ESV	1-Piece Driveshaft	L	2,3,5,9	5-160X*	5-1410-1X* 5-1410X**	
2002-2008	Escalade EXT	1-Piece Driveshaft	L	2,3,5,9	5-3147X*	5-795X**	
2009-2013	Escalade EXT	1-Piece Driveshaft	L	2,3	5-3147X*	5-795X**	
	Escalade EXT	1-Piece Driveshaft	L	5,9	5-178X*	5-1350-1X* 5-1350X**	SPL30-1350XC**

**Chevrolet**

Year	Model	Description	Fig.	Location	Spicer Part #	SPL (Uncoated) Part #	SPL (Coated) Part #
1990-2002	Astro		L	2,5	5-3147X*	5-795X**	
	Astro		L	9	5-178X*	5-1350-1X* 5-1350X**	SPL30-1350XC**
2003-2005	Astro		L	2,5,9	5-3147X*	5-795X**	
2007-2008	Avalanche	V8 6.0L; 1-Piece Driveshaft	L	2,3	5-3147X*	5-795X**	
	Avalanche	V8 5.3L; 1-Piece Driveshaft	L	2,3,5,9	5-3147X*	5-795X**	
	Avalanche	V8 6.0L; 1-Piece Driveshaft	L	5,9	5-178X*	5-1350-1X* 5-1350X**	SPL30-1350XC**
2009-2013	Avalanche	1-Piece Driveshaft	L	2,3	5-3147X*	5-795X**	

\* GREASEABLE \*\* NON-GREASEABLE



**Chevrolet (Cont'd)**

Year	Model	Description	Fig.	Location	Spicer Part #	SPL (Uncoated) Part #	SPL (Coated) Part #
2009-2013	Avalanche	1-Piece Driveshaft	L	5,9	5-178X*	5-1350-1X* 5-1350X**	SPL30-1350XC**
2002-2006	Avalanche 1500	1-Piece Driveshaft	L	2,3,5,9	5-3147X*	5-795X**	
2002-2006	Avalanche 2500	1-Piece Driveshaft	L	2,3	5-3147X*	5-795X**	
	Avalanche 2500	1-Piece Driveshaft	L	5,9	5-160X*	5-1410-1X* 5-1410X**	
1969-1971	Blazer		I	1	5-260X**		
	Blazer		I	2,3,4,5,9	5-153X*	5-1310-1X* 5-1310X**	
1972-1974	Blazer	w/ Inside Snap Rings	I	2,3,4	5-3147X*	5-795X**	
	Blazer	w/ Outside Snap Rings	I	2,3,4	5-153X*	5-1310-1X* 5-1310X**	
	Blazer		I	5,9	5-153X*	5-1310-1X* 5-1310X**	
1987	Blazer		I	1	5-3226X*	5-760X**	5-760XC**
	Blazer		I	2	5-153X*	5-1310-1X* 5-1310X**	
	Blazer		I	3,4	5-3147X*	5-795X**	
	Blazer	3-Speed; 5-Speed	I	5,9	5-3147X*	5-795X**	
	Blazer	Auto Trans; 4-Speed	I	5,9	5-3147X*	5-795X**	
	Blazer	Standard Trans; 4-Speed	I	5,9	5-178X*	5-1350-1X* 5-1350X**	SPL30-1350XC**
1987-1991	Blazer		I	CV	211009X		
1988	Blazer	2-Piece Driveshaft; w/ Aluminum Driveshaft	J	5,9	5-3147X*	5-795X**	
	Blazer	2-Piece Driveshaft; w/ Steel Driveshaft	J	5,9	5-178X*	5-1350-1X* 5-1350X**	SPL30-1350XC**
	Blazer	1-Piece Driveshaft; w/ Press-on Slip Yoke Seal	L	2	5-3213X*		
	Blazer	1-Piece Driveshaft; w/ Screw-on Slip Yoke Seal	L	2,3	5-160X*	5-1410-1X* 5-1410X**	
	Blazer	1-Piece Driveshaft	L	5,9	5-3147X*	5-795X**	
1988-1991	Blazer	2-Piece Driveshaft	J	1	5-3226X*	5-760X**	5-760XC**
	Blazer	2-Piece Driveshaft	J	2	5-153X*	5-1310-1X* 5-1310X**	
	Blazer	2-Piece Driveshaft	J	3,4	5-3147X*	5-795X**	
1989-1990	Blazer	1-Piece Driveshaft; w/ Press-on Slip Yoke Seal	L	2,3	5-153X*	5-1310-1X* 5-1310X**	
	Blazer	1-Piece Driveshaft; w/ Slip-on Slip Yoke Seal	L	2,3	5-160X*	5-1410-1X* 5-1410X**	
1989-1991	Blazer	Auto Trans; 4-Speed; 2-Piece Driveshaft	J	5,9	5-3147X*	5-795X**	

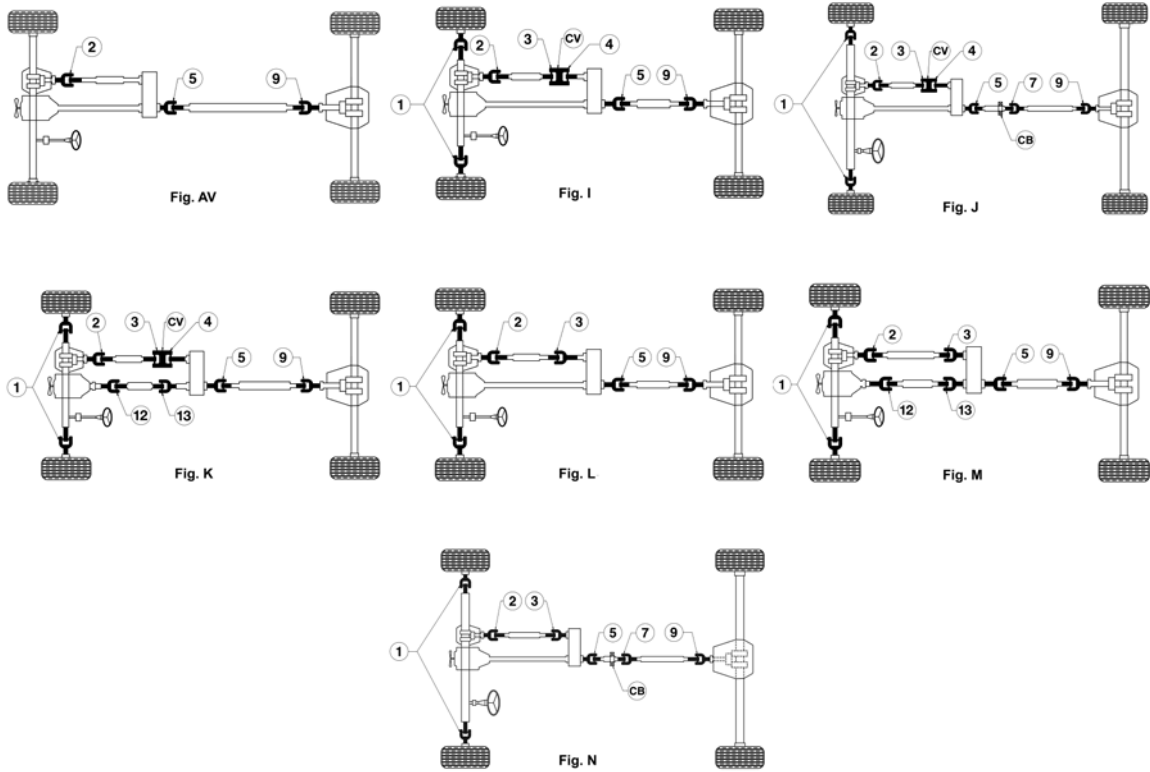
\* GREASEABLE \*\* NON-GREASEABLE

4  
W  
D

**Chevrolet (Cont'd)**

Year	Model	Description	Fig.	Location	Spicer Part #	SPL (Uncoated) Part #	SPL (Coated) Part #
1989-1991	Blazer	Standard Trans; 4-Speed; 2-Piece Driveshaft; w/ Steel Driveshaft	J	5,9	5-178X*	5-1350-1X* 5-1350X**	SPL30-1350XC**
	Blazer	Standard Trans; 5-Speed; 2-Piece Driveshaft	J	5,9	5-3147X*	5-795X**	
	Blazer	Auto Trans; 4-Speed; 1-Piece Driveshaft	L	5,9	5-3147X*	5-795X**	
	Blazer	Standard Trans; 4-Speed; 1 Piece Steel Driveshaft	L	5,9	5-178X*	5-1350-1X* 5-1350X**	SPL30-1350XC**
1991	Blazer	Standard Trans; 5-Speed; 1-Piece Driveshaft	L	5,9	5-3147X*	5-795X**	
	Blazer	1-Piece Driveshaft	L	2	5-153X*	5-1310-1X* 5-1310X**	
Blazer	1-Piece Driveshaft; w/ Press-on Slip Yoke Seal	L	3	5-153X*	5-1310-1X* 5-1310X**		
1992-1994	Blazer		L	2,3,5,9	5-3147X*	5-795X**	
1995-1999	Blazer		L	2	5-160X*	5-1410-1X* 5-1410X**	
	Blazer	2 Door; w/ ZR2 High Wider Sport Package	L	5,9	5-178X*	5-1350-1X* 5-1350X**	SPL30-1350XC**
	Blazer	2 Door; w/o ZR2 High Wider Sport Package	L	5,9	5-3147X*	5-795X**	
Blazer	4 Door	L	5,9	5-3147X*	5-795X**		
2000-2001	Blazer	1-Piece Driveshaft; w/o ZR2 High Wider Sport Package	AV	5,9	5-3147X*	5-795X**	
2000-2002	Blazer	1-Piece Driveshaft; w/ ZR2 High Wider Sport Package	AV	5,9	5-178X*	5-1350-1X* 5-1350X**	SPL30-1350XC**
2000-2005	Blazer	1-Piece Driveshaft	AV	2	5-3213X*		
2002	Blazer	1-Piece Driveshaft; w/o ZR2 High Wider Sport Package	AV	5,9	5-3213X*		
	Blazer	1-Piece Driveshaft; Exc. ZR2	AV	5,9	5-3147X*	5-795X**	
2003-2005	Blazer	1-Piece Driveshaft; ZR2	AV	5,9	5-178X*	5-1350-1X* 5-1350X**	SPL30-1350XC**
	Blazer	1-Piece Driveshaft; Exc. ZR2	AV	5,9	5-3147X*	5-795X**	
2004-2012	Colorado	1-Piece Driveshaft	AV	2	5-153X*	5-1310-1X* 5-1310X**	
	Colorado	1-Piece Driveshaft	AV	5	5-213X*	5-1330-1X* 5-1330X**	
	Colorado	1-Piece Driveshaft	AV	9	5-212X*	5-793X**	
2015-2016	Colorado	1-Piece Driveshaft	AV	2,5,9	5-178X*	5-1350-1X* 5-1350X**	SPL30-1350XC**
2005-2006	Equinox	2-Piece Driveshaft	N	7,9	5-3241X*		
2006-2014	Express 1500	V8 5.3L; 1-Piece Driveshaft	L	2,3,5,9	5-3147X*	5-795X**	
1975-1976	K10		K	1	5-3226X*	5-760X**	5-760XC**
	K10		K	2,3,4,5,9,12,13	5-153X*	5-1310-1X* 5-1310X**	
1977	K10		I	2,3,4,5,9	5-153X*	5-1310-1X* 5-1310X**	
1977-1978	K10	w/ Inside Snap Rings	J	CV	211009X		
1978	K10	1-Piece Driveshaft	I	1	5-3226X*	5-760X**	5-760XC**
	K10	1-Piece Driveshaft	I	2,5,9	5-153X*	5-1310-1X* 5-1310X**	
	K10	1-Piece Driveshaft; w/ Inside Snap Rings	I	3,4	5-3147X*	5-795X**	
	K10	1-Piece Driveshaft; w/ Outside Snap Rings	I	3,4	5-153X*	5-1310-1X* 5-1310X**	
	K10	2-Piece Driveshaft; w/ Inside Snap Rings	I	3,4	5-3147X*	5-795X**	
	K10	2-Piece Driveshaft; w/ Outside Snap Rings	I	3,4	5-153X*	5-1310-1X* 5-1310X**	
	K10	2-Piece Driveshaft	J	1	5-3226X*	5-760X**	5-760XC**
	K10	2-Piece Driveshaft	J	2,5	5-153X*	5-1310-1X* 5-1310X**	
	K10	2-Piece Driveshaft	J	7,9	5-178X*	5-1350-1X* 5-1350X**	SPL30-1350XC**
	K10		I	5,9	5-153X*	5-1310-1X* 5-1310X**	
	1979-1981	K10		I	5,9	5-153X*	5-1310-1X* 5-1310X**
1979-1986	K10		I	1	5-3226X*	5-760X**	5-760XC**
	K10		I	2	5-153X*	5-1310-1X* 5-1310X**	
	K10		I	3,4	5-3147X*	5-795X**	

\* GREASEABLE \*\* NON-GREASEABLE



4  
W  
D

**Chevrolet (Cont'd)**

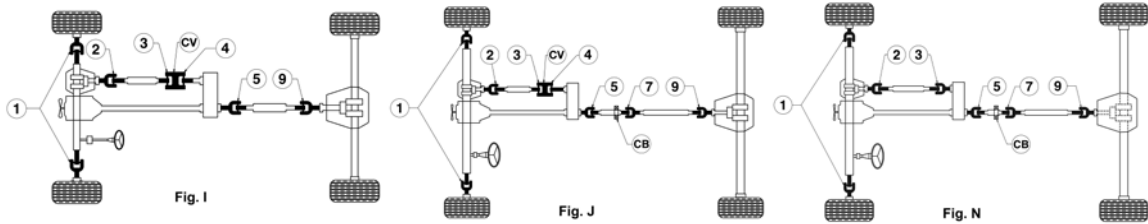
Year	Model	Description	Fig.	Location	Spicer Part #	SPL (Uncoated) Part #	SPL (Coated) Part #
1979-1986	K10		I	CV	211009X		
1982-1986	K10	w/ Inside Snap Rings	I	5,9	5-3147X*	5-795X**	
	K10	w/ Outside Snap Rings	I	5,9	5-178X*	5-1350-1X* 5-1350X**	SPL30-1350XC**
1964-1966	K10 Pickup		M	1	5-260X**		
	K10 Pickup		M	12,13	5-178X*	5-1350-1X* 5-1350X**	SPL30-1350XC**
	K10 Pickup		M	2,3,5,9	5-153X*	5-1310-1X* 5-1310X**	
1967-1971	K10 Pickup		K	1	5-260X**		
1967-1974	K10 Pickup		K	2,3,4,5,9,12,13	5-153X*	5-1310-1X* 5-1310X**	
1972	K10 Pickup	1.062" Bearing Cup Dia.	K	1	5-260X**		
	K10 Pickup	1.188" Bearing Cup Dia.	K	1	5-3226X*	5-760X**	5-760XC**
1973-1974	K10 Pickup		K	1	5-3226X*	5-760X**	5-760XC**
1968-1971	K10 Suburban		K	1	5-260X**		
1968-1976	K10 Suburban		K	2,3,4,5,9,12,13	5-153X*	5-1310-1X* 5-1310X**	
1972	K10 Suburban	1.062" Bearing Cup Dia.	K	1	5-260X**		
	K10 Suburban	1.188" Bearing Cup Dia.	K	1	5-3226X*	5-760X**	5-760XC**
1973-1976	K10 Suburban		K	1	5-3226X*	5-760X**	5-760XC**
1977	K10 Suburban		I	2,3,4,5,9	5-153X*	5-1310-1X* 5-1310X**	
1977-1978	K10 Suburban	1 Piece Driveshaft; w/ Inside Snap Rings	I	CV	211009X		
	K10 Suburban	2 Piece Driveshaft; w/ Inside Snap Rings	J	CV	211009X		
1978	K10 Suburban	1-Piece Driveshaft	I	1	5-3226X*	5-760X**	5-760XC**
	K10 Suburban	1-Piece Driveshaft	I	2,5,9	5-153X*	5-1310-1X* 5-1310X**	
	K10 Suburban	1-Piece Driveshaft; w/ Inside Snap Rings	I	3,4	5-3147X*	5-795X**	

\* GREASEABLE \*\* NON-GREASEABLE

**Chevrolet (Cont'd)**

Year	Model	Description	Fig.	Location	Spicer Part #	SPL (Uncoated) Part #	SPL (Coated) Part #
1978	K10 Suburban	1-Piece Driveshaft; w/ Outside Snap Rings	I	3,4	5-153X*	5-1310-1X* 5-1310X**	
	K10 Suburban	2-Piece Driveshaft	J	1	5-3226X*	5-760X**	5-760XC**
	K10 Suburban	2-Piece Driveshaft	J	2,5	5-153X*	5-1310-1X* 5-1310X**	
	K10 Suburban	2-Piece Driveshaft; w/ Inside Snap Rings	J	3,4	5-3147X*	5-795X**	
	K10 Suburban	2-Piece Driveshaft; w/ Outside Snap Rings	J	3,4	5-153X*	5-1310-1X* 5-1310X**	
	K10 Suburban	2-Piece Driveshaft	J	7,9	5-178X*	5-1350-1X* 5-1350X**	SPL30-1350XC**
1979-1981	K10 Suburban		I	5,9	5-153X*	5-1310-1X* 5-1310X**	
	K10 Suburban	1 Piece Driveshaft	I	CV	211009X		
	K10 Suburban	2 Piece Driveshaft	J	CV	211009X		
1979-1986	K10 Suburban		I	1	5-3226X*	5-760X**	5-760XC**
	K10 Suburban		I	2	5-153X*	5-1310-1X* 5-1310X**	
	K10 Suburban		I	3,4	5-3147X*	5-795X**	
1982-1986	K10 Suburban	w/ Inside Snap Rings	I	5,9	5-3147X*	5-795X**	
	K10 Suburban	w/ Outside Snap Rings	I	5,9	5-178X*	5-1350-1X* 5-1350X**	SPL30-1350XC**
	K10 Suburban		I	CV	211009X		
1988	K1500	Standard Trans; 2-Piece Driveshaft	N	2	5-212X*	5-793X**	
	K1500	Auto Trans; 2-Piece Driveshaft	N	2,3	5-3147X*	5-795X**	
1988-1991	K1500	Standard Trans; 2-Piece Driveshaft; w/ Aluminum Yoke	N	3		5-3614X**	
	K1500	Standard Trans; 2-Piece Driveshaft; w/ Steel Yoke	N	3	5-213X*	5-1330-1X* 5-1330X**	
	K1500	Extended Cab; Auto Trans; 2-Piece Driveshaft; w/ Aluminum Yoke	N	5,7		5-3614X**	
	K1500	Extended Cab; Auto Trans; 2-Piece Driveshaft; w/ Steel Yoke	N	5,7	5-213X*	5-1330-1X* 5-1330X**	
	K1500	Standard Cab; Auto Trans; 2-Piece Driveshaft	N	5,9	5-3147X*	5-795X**	
	K1500	Standard Trans; 2-Piece Driveshaft; w/ Aluminum Yoke	N	5,9		5-3615X**	
	K1500	Standard Trans; 2-Piece Driveshaft; w/ Steel Shaft	N	5,9	5-178X*	5-1350-1X* 5-1350X**	SPL30-1350XC**
	K1500	Extended Cab; Standard Trans; 2-Piece Driveshaft; w/ Aluminum Yoke	N	7		5-3615X**	
	K1500	Extended Cab; Standard Trans; 2-Piece Driveshaft; w/ Steel Shaft	N	7	5-178X*	5-1350-1X* 5-1350X**	SPL30-1350XC**
	K1500	Extended Cab; Auto Trans; 2-Piece Driveshaft	N	9	5-212X*	5-793X**	
1989-1991	K1500	Extended Cab; Standard Trans; 2-Piece Driveshaft	N	2	5-212X*	5-793X**	
	K1500	Extended Cab; Auto Trans; 2-Piece Driveshaft	N	2,3	5-3147X*	5-795X**	
1992	K1500	Extended Cab; Exc. F44 HD Chassis; 2-Piece Driveshaft; 1.062" Bearing Cup Dia.; w/ Aluminum Yoke	N	5,7		5-3614X**	
	K1500	Extended Cab; Exc. F44 HD Chassis; 2-Piece Driveshaft; 1.062" Bearing Cup Dia.; w/ Steel Yoke	N	5,7	5-213X*	5-1330-1X* 5-1330X**	
	K1500	Extended Cab; w/ F44 HD Chassis; 2-Piece Driveshaft; 1.188" Bearing Cup Dia.; w/ Aluminum Yoke	N	5,7		5-3615X**	
	K1500	Extended Cab; w/ F44 HD Chassis; 2-Piece Driveshaft; 1.188" Bearing Cup Dia.; w/ Steel Shaft	N	5,7	5-178X*	5-1350-1X* 5-1350X**	SPL30-1350XC**
1993	K1500	Extended Cab; Auto Trans; Exc. F44 HD Chassis; 2-Piece Driveshaft; 1.062" Bearing Cup Dia.; w/ Steel Yoke	N	5	5-213X*	5-1330-1X* 5-1330X**	

\* GREASEABLE \*\* NON-GREASEABLE



**Chevrolet (Cont'd)**

Year	Model	Description	Fig.	Location	Spicer Part #	SPL (Uncoated) Part #	SPL (Coated) Part #
1993	K1500	Extended Cab; Standard Trans; MT8; w/ F44 HD Chassis; 2-Piece Driveshaft; 1.062" Bearing Cup Dia.; w/ Aluminum Yoke	N	5		5-3614X**	
	K1500	Extended Cab; Standard Trans; MT8; w/ F44 HD Chassis; 2-Piece Driveshaft; 1.125" Bearing Cup Dia.	N	5	5-178X*	5-1350-1X* 5-1350X**	SPL30-1350XC**
	K1500	Extended Cab; Standard Trans; MT8; w/ F44 HD Chassis; 2-Piece Driveshaft; 1.188" Bearing Cup Dia.; w/ Aluminum Yoke	N	5,9		5-3615X**	
	K1500	Extended Cab; Standard Trans; MT8; w/ F44 HD Chassis; 2-Piece Driveshaft; 1.188" Bearing Cup Dia.; w/ Steel Shaft	N	5,9	5-178X*	5-1350-1X* 5-1350X**	SPL30-1350XC**
	K1500	Standard Cab; Auto Trans; 2-Piece Driveshaft; 1.125" Bearing Cup Dia.	N	5,9	5-3147X*	5-795X**	
	K1500	Standard Cab; Standard Trans; MT8; 2-Piece Driveshaft; 1.188" Bearing Cup Dia.; w/ Aluminum Yoke	N	5,9		5-3615X**	
	K1500	Standard Cab; Standard Trans; MT8; 2-Piece Driveshaft; 1.188" Bearing Cup Dia.; w/ Steel Shaft	N	5,9	5-178X*	5-1350-1X* 5-1350X**	SPL30-1350XC**
	K1500	Extended Cab; Exc. F44 HD Chassis; 2-Piece Driveshaft; 1.062" Bearing Cup Dia.; w/ Aluminum Yoke	N	7		5-3614X**	
	K1500	Extended Cab; Exc. F44 HD Chassis; 2-Piece Driveshaft; 1.062" Bearing Cup Dia.; w/ Steel Yoke	N	7	5-213X*	5-1330-1X* 5-1330X**	
	K1500	Extended Cab; w/ F44 HD Chassis; 2-Piece Driveshaft; 1.188" Bearing Cup Dia.; w/ Aluminum Yoke	N	7		5-3615X**	
	K1500	Extended Cab; w/ F44 HD Chassis; 2-Piece Driveshaft; 1.188" Bearing Cup Dia.; w/ Steel Shaft	N	7	5-178X*	5-1350-1X* 5-1350X**	SPL30-1350XC**
	K1500	Extended Cab; Auto Trans; Exc. F44 HD Chassis; 2-Piece Driveshaft	N	9	5-212X*	5-793X**	
1994	K1500	Extended Cab; 2-Piece Driveshaft; 1.062" Bearing Cup Dia.; w/ Aluminum Yoke	N	5		5-3614X**	
	K1500	Extended Cab; 2-Piece Driveshaft; 1.062" Bearing Cup Dia.; w/ Steel Yoke	N	5	5-213X*	5-1330-1X* 5-1330X**	
	K1500	Extended Cab; 2-Piece Driveshaft; 1.188" Bearing Cup Dia.; w/ Aluminum Yoke	N	5		5-3615X**	
	K1500	Extended Cab; 2-Piece Driveshaft; 1.188" Bearing Cup Dia.; w/ Steel Shaft	N	5	5-178X*	5-1350-1X* 5-1350X**	SPL30-1350XC**
	K1500	Standard Cab; w/ F44 HD Chassis; 2-Piece Driveshaft; 1.125" Bearing Cup Dia.; w/ Steel Shaft	N	9	5-3147X*	5-795X**	
	K1500	Standard Cab; w/ F44 HD Chassis; 2-Piece Driveshaft; 1.188" Bearing Cup Dia.; w/ Aluminum Yoke	N	9		5-3615X**	
	K1500	Standard Cab; w/ F44 HD Chassis; 2-Piece Driveshaft; 1.188" Bearing Cup Dia.; w/ Steel Shaft	N	9	5-178X*	5-1350-1X* 5-1350X**	SPL30-1350XC**
1994-1995	K1500	Standard Cab; 2-Piece Driveshaft; 1.125" Bearing Cup Dia.	N	5	5-3147X*	5-795X**	
	K1500	Standard Cab; 2-Piece Driveshaft; 1.188" Bearing Cup Dia.; w/ Aluminum Yoke	N	5		5-3615X**	

\* GREASEABLE \*\* NON-GREASEABLE

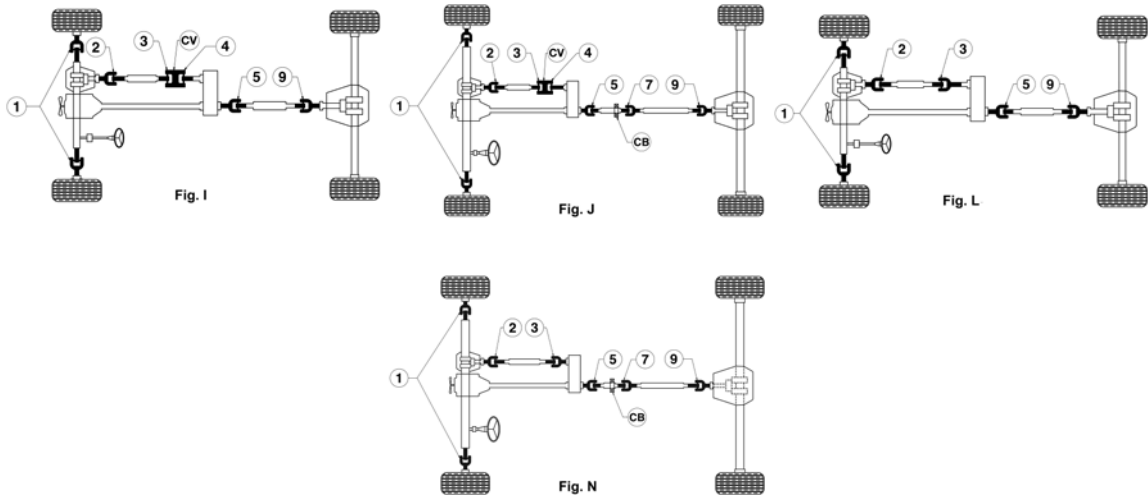
4  
W  
D

**Chevrolet (Cont'd)**

Year	Model	Description	Fig.	Location	Spicer Part #	SPL (Uncoated) Part #	SPL (Coated) Part #
1994-1995	K1500	Standard Cab; 2-Piece Driveshaft; 1.188" Bearing Cup Dia.; w/ Steel Shaft	N	5	5-178X*	5-1350-1X* 5-1350X**	SPL30-1350XC**
	K1500	2-Piece Driveshaft; 1.062" Bearing Cup Dia.; w/ Aluminum Yoke	N	7		5-3614X**	
	K1500	2-Piece Driveshaft; 1.062" Bearing Cup Dia.; w/ Steel Yoke	N	7	5-213X*	5-1330-1X* 5-1330X**	
	K1500	2-Piece Driveshaft; 1.188" Bearing Cup Dia.; w/ Aluminum Yoke	N	7		5-3615X**	
	K1500	2-Piece Driveshaft; 1.188" Bearing Cup Dia.; w/ Steel Shaft	N	7	5-178X*	5-1350-1X* 5-1350X**	SPL30-1350XC**
1994-1996	K1500	Diesel; 2-Piece Driveshaft	N	2	5-212X*	5-793X**	
	K1500	Gas; 2-Piece Driveshaft	N	2,3	5-3147X*	5-795X**	
	K1500	Diesel; 2-Piece Driveshaft; w/ Aluminum Yoke	N	3		5-3614X**	
	K1500	Diesel; 2-Piece Driveshaft; w/ Steel Yoke	N	3	5-213X*	5-1330-1X* 5-1330X**	
1995	K1500	Extended Cab; Exc. F44 HD Chassis; 2-Piece Driveshaft; 1.062" Bearing Cup Dia.; w/ Aluminum Yoke	N	5		5-3614X**	
	K1500	Extended Cab; Exc. F44 HD Chassis; 2-Piece Driveshaft; 1.062" Bearing Cup Dia.; w/ Steel Yoke	N	5	5-213X*	5-1330-1X* 5-1330X**	
	K1500	Extended Cab; w/ F44 HD Chassis; 2-Piece Driveshaft; 1.188" Bearing Cup Dia.; w/ Aluminum Yoke	N	5,9		5-3615X**	
	K1500	Extended Cab; w/ F44 HD Chassis; 2-Piece Driveshaft; 1.188" Bearing Cup Dia.; w/ Steel Shaft	N	5,9	5-178X*	5-1350-1X* 5-1350X**	SPL30-1350XC**
	K1500	Extended Cab; Exc. F44 HD Chassis; 2-Piece Driveshaft; w/ Steel Yoke	N	9	5-212X*	5-793X**	
	K1500	Standard Cab; 4L60-E; 4L80-E, NV3500-MG5; 2-Piece Driveshaft; 1.125" Bearing Cup Dia.	N	9	5-3147X*	5-795X**	
	K1500	Standard Cab; NV4500/MW3; 2-Piece Driveshaft; 1.188" Bearing Cup Dia.; w/ Aluminum Yoke	N	9		5-3615X**	
	K1500	Standard Cab; NV4500/MW3; 2-Piece Driveshaft; 1.188" Bearing Cup Dia.; w/ Steel Shaft	N	9	5-178X*	5-1350-1X* 5-1350X**	SPL30-1350XC**
1995-1998	K1500	Extended Cab; 78.0" Bed; Exc. F44 HD Chassis; 1-Piece Driveshaft	L	5		5-3614X**	
	K1500	Extended Cab; 78.0" Bed; w/ F44 HD Chassis; 1-Piece Driveshaft	L	5,9		5-3615X**	
	K1500	Regular Cab; 1-Piece Driveshaft	L	5,9	5-3147X*	5-795X**	
	K1500	Extended Cab; 78.0" Bed; Exc. F44 HD Chassis; 1-Piece Driveshaft	L	9	5-212X*	5-793X**	
1996	K1500	2-Piece Driveshaft; 1.062" Bearing Cup Dia.; w/ Aluminum Yoke	N	5		5-3614X**	
	K1500	2-Piece Driveshaft; 1.062" Bearing Cup Dia.; w/ Steel Yoke	N	5	5-213X*	5-1330-1X* 5-1330X**	
	K1500	2-Piece Driveshaft; 1.188" Bearing Cup Dia.; w/ Aluminum Yoke	N	5		5-3615X**	
	K1500	2-Piece Driveshaft; 1.188" Bearing Cup Dia.; w/ Steel Shaft	N	5	5-178X*	5-1350-1X* 5-1350X**	SPL30-1350XC**
	K1500	2-Piece Driveshaft; w/ Aluminum Yoke	N	7		5-3615X**	
	K1500	2-Piece Driveshaft; w/ Steel Shaft	N	7	5-178X*	5-1350-1X* 5-1350X**	SPL30-1350XC**
	K1500	Standard Cab; 2-Piece Driveshaft	N	9	5-3147X*	5-795X**	
1996-1998	K1500	2-Piece Driveshaft; 1.125" Bearing Cup Dia.	N	5	5-3147X*	5-795X**	
1997	K1500	Exc. F44 HD Chassis; 2-Piece Driveshaft	N	9	5-212X*	5-793X**	
	K1500	w/ F44 HD Chassis; 2-Piece Driveshaft; 1.188" Bearing Cup Dia.; w/ Aluminum Yoke	N	9		5-3615X**	
	K1500	w/ F44 HD Chassis; 2-Piece Driveshaft; 1.188" Bearing Cup Dia.; w/ Steel Shaft	N	9	5-178X*	5-1350-1X* 5-1350X**	SPL30-1350XC**
1997-1998	K1500	2-Piece Driveshaft	N	2,3	5-3147X*	5-795X**	

\* GREASEABLE \*\* NON-GREASEABLE





**Chevrolet (Cont'd)**

Year	Model	Description	Fig.	Location	Spicer Part #	SPL (Uncoated) Part #	SPL (Coated) Part #
1997-1998	K1500	2-Piece Driveshaft; 1.062" Bearing Cup Dia.; w/ Aluminum Yoke	N	5,7		5-3614X**	
	K1500	2-Piece Driveshaft; 1.062" Bearing Cup Dia.; w/ Steel Yoke	N	5,7	5-213X*	5-1330-1X* 5-1330X**	
	K1500	2-Piece Driveshaft; 1.188" Bearing Cup Dia.; w/ Aluminum Yoke	N	5,7		5-3615X**	
	K1500	2-Piece Driveshaft; 1.188" Bearing Cup Dia.; w/ Steel Shaft	N	5,7	5-178X*	5-1350-1X* 5-1350X**	SPL30-1350XC**
1998	K1500	Extended Cab; Exc. F44 HD Chassis; 2-Piece Driveshaft	N	9	5-212X*	5-793X**	
	K1500	Extended Cab; w/ F44 HD Chassis; 2-Piece Driveshaft; 1.188" Bearing Cup Dia.; w/ Aluminum Yoke	N	9		5-3615X**	
	K1500	Extended Cab; w/ F44 HD Chassis; 2-Piece Driveshaft; 1.188" Bearing Cup Dia.; w/ Steel Shaft	N	9	5-178X*	5-1350-1X* 5-1350X**	SPL30-1350XC**
1999	K1500	Extended Cab; 78.0" Bed; 1-Piece Driveshaft	L	2,3	5-3147X*	5-795X**	
	K1500	Extended Cab; 78.0" Bed; 1-Piece Driveshaft; w/ Aluminum Yoke	L	5		5-3614X**	
	K1500	Extended Cab; 78.0" Bed; 1-Piece Driveshaft; w/ Steel Yoke	L	5	5-213X*	5-1330-1X* 5-1330X**	
	K1500	Extended Cab; 78.0" Bed; 1-Piece Driveshaft	L	9	5-212X*	5-793X**	
1992-1994	K1500 Suburban		L	2,3,5,9	5-3147X*	5-795X**	
1995-1996	K1500 Suburban	Diesel	L	2	5-212X*	5-793X**	
	K1500 Suburban	Gas	L	2,3	5-3147X*	5-795X**	
	K1500 Suburban	Diesel	L	3	5-213X*	5-1330-1X* 5-1330X**	
	K1500 Suburban		L	5,9	5-3147X*	5-795X**	
1997-1999	K1500 Suburban	1-Piece Driveshaft	L	2,3	5-3147X*	5-795X**	
	K1500 Suburban	1-Piece Driveshaft; w/ Inside Snap Rings	L	5,9	5-3147X*	5-795X**	
	K1500 Suburban	1-Piece Driveshaft; w/ Outside Snap Rings	L	5,9	5-178X*	5-1350-1X* 5-1350X**	SPL30-1350XC**
1975-1976	K20	1-Piece Driveshaft	I	2,3,4	5-153X*	5-1310-1X* 5-1310X**	
	K20	1-Piece Driveshaft; Full Time Transfer Case	I	5,9	5-153X*	5-1310-1X* 5-1310X**	
	K20	1-Piece Driveshaft; Part Time Transfer Case	I	5,9	5-178X*	5-1350-1X* 5-1350X**	SPL30-1350XC**
	K20	2-Piece Driveshaft	J	2,3,4	5-153X*	5-1310-1X* 5-1310X**	

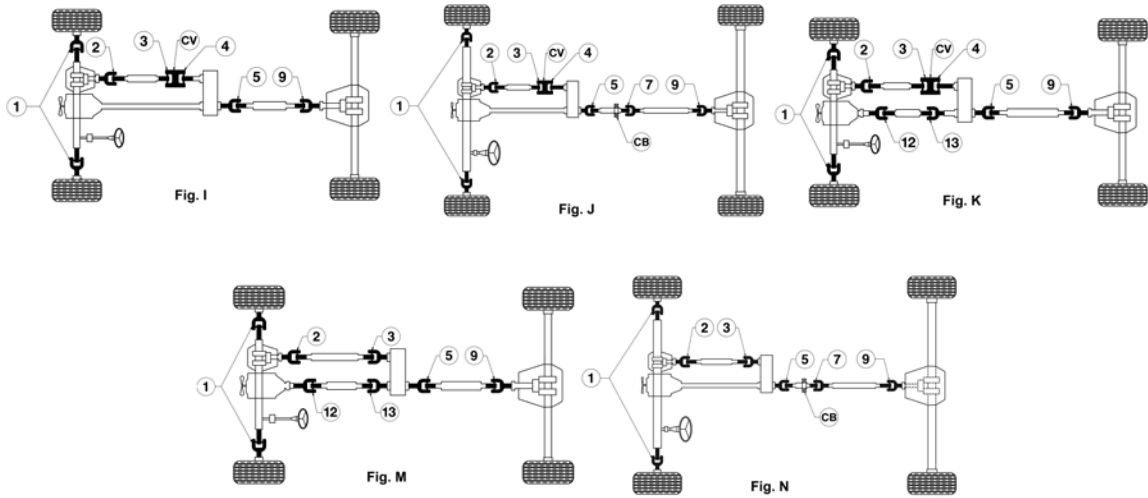
\* GREASEABLE \*\* NON-GREASEABLE

4  
W  
D

**Chevrolet (Cont'd)**

Year	Model	Description	Fig.	Location	Spicer Part #	SPL (Uncoated) Part #	SPL (Coated) Part #
1975-1976	K20	2-Piece Driveshaft; Full Time Transfer Case	J	5,7,9	5-153X*	5-1310-1X* 5-1310X**	
	K20	2-Piece Driveshaft; Part Time Transfer Case	J	5,7,9	5-178X*	5-1350-1X* 5-1350X**	SPL30-1350XC**
1975-1981	K20	1-Piece Driveshaft	I	1	5-3226X*	5-760X**	5-760XC**
	K20	2-Piece Driveshaft	J	1	5-3226X*	5-760X**	5-760XC**
1977-1978	K20	1-Piece Driveshaft; w/ Inside Snap Rings	I	2,3,4	5-3147X*	5-795X**	
	K20	1-Piece Driveshaft; w/ Outside Snap Rings	I	2,3,4	5-153X*	5-1310-1X* 5-1310X**	
	K20	w/ Inside Snap Rings	I	CV	211009X		
	K20	2-Piece Driveshaft; w/ Inside Snap Rings	J	2,3,4	5-3147X*	5-795X**	
1977-1981	K20	2-Piece Driveshaft; w/ Outside Snap Rings	J	2,3,4	5-153X*	5-1310-1X* 5-1310X**	
	K20	1-Piece Driveshaft	I	5	5-153X*	5-1310-1X* 5-1310X**	
	K20	1-Piece Driveshaft	I	9	5-178X*	5-1350-1X* 5-1350X**	SPL30-1350XC**
1979-1981	K20	2-Piece Driveshaft	J	5,7,9	5-178X*	5-1350-1X* 5-1350X**	SPL30-1350XC**
	K20	1-Piece Driveshaft	I	2	5-153X*	5-1310-1X* 5-1310X**	
	K20	1-Piece Driveshaft	I	3,4	5-3147X*	5-795X**	
1979-1986	K20	2-Piece Driveshaft	J	2	5-153X*	5-1310-1X* 5-1310X**	
	K20	2-Piece Driveshaft	J	3,4	5-3147X*	5-795X**	
	K20		I	CV	211009X		
1982-1986	K20		I	1	5-3226X*	5-760X**	5-760XC**
	K20		I	2	5-153X*	5-1310-1X* 5-1310X**	
	K20		I	3,4	5-3147X*	5-795X**	
	K20		I	5,9	5-178X*	5-1350-1X* 5-1350X**	SPL30-1350XC**
1960	K20 Pickup		M	1	5-260X**		
	K20 Pickup	w/ Timken T-221 Trans Case	M	12	5-178X*	5-1350-1X* 5-1350X**	SPL30-1350XC**
	K20 Pickup	w/ Timken T-221 Trans Case	M	2,3,13	5-153X*	5-1310-1X* 5-1310X**	
	K20 Pickup	w/ Timken T-221 Trans Case	M	5,9	5-178X*	5-1350-1X* 5-1350X**	SPL30-1350XC**
1961-1966	K20 Pickup		K	1	5-260X**		
	K20 Pickup		K	2,3,4,13	5-153X*	5-1310-1X* 5-1310X**	
	K20 Pickup	4-Speed	K	5,9,12	5-178X*	5-1350-1X* 5-1350X**	SPL30-1350XC**
	K20 Pickup	Standard Trans; 3-Speed	K	5,9,12	5-153X*	5-1310-1X* 5-1310X**	
1967-1972	K20 Pickup		I	1	5-260X**		
	K20 Pickup		I	2,3,4	5-153X*	5-1310-1X* 5-1310X**	
	K20 Pickup	1.062" Bearing Cup Dia.	I	5,9	5-153X*	5-1310-1X* 5-1310X**	
	K20 Pickup	1.188" Bearing Cup Dia.	I	5,9	5-178X*	5-1350-1X* 5-1350X**	SPL30-1350XC**
1973-1974	K20 Pickup		I	1	5-3226X*	5-760X**	5-760XC**
	K20 Pickup		I	2,3,4,5,9	5-153X*	5-1310-1X* 5-1310X**	
1968-1972	K20 Suburban		I	1	5-260X**		
	K20 Suburban	1.062" Bearing Cup Dia.	I	5,9	5-153X*	5-1310-1X* 5-1310X**	
	K20 Suburban	1.188" Bearing Cup Dia.	I	5,9	5-178X*	5-1350-1X* 5-1350X**	SPL30-1350XC**
1968-1974	K20 Suburban		I	2,3,4	5-153X*	5-1310-1X* 5-1310X**	

\* GREASEABLE \*\* NON-GREASEABLE



**Chevrolet (Cont'd)**

Year	Model	Description	Fig.	Location	Spicer Part #	SPL (Uncoated) Part #	SPL (Coated) Part #
1975-1976	K20 Suburban	1-Piece Driveshaft	I	2,3,4	5-153X*	5-1310-1X* 5-1310X**	
	K20 Suburban	1-Piece Driveshaft; Full Time Transfer Case	I	5,9	5-153X*	5-1310-1X* 5-1310X**	
	K20 Suburban	1-Piece Driveshaft; Part Time Transfer Case	I	5,9	5-178X*	5-1350-1X* 5-1350X**	SPL30-1350XC**
	K20 Suburban	2-Piece Driveshaft	J	2,3,4	5-153X*	5-1310-1X* 5-1310X**	
	K20 Suburban	2-Piece Driveshaft; Full Time Transfer Case	J	5,7,9	5-153X*	5-1310-1X* 5-1310X**	
	K20 Suburban	2-Piece Driveshaft; Part Time Transfer Case	J	5,7,9	5-178X*	5-1350-1X* 5-1350X**	SPL30-1350XC**
1975-1981	K20 Suburban	1-Piece Driveshaft	I	1	5-3226X*	5-760X**	5-760XC**
	K20 Suburban	2-Piece Driveshaft	J	1	5-3226X*	5-760X**	5-760XC**
1977-1978	K20 Suburban	1-Piece Driveshaft; w/ Inside Snap Rings	I	2,3,4	5-3147X*	5-795X**	
	K20 Suburban	1-Piece Driveshaft; w/ Outside Snap Rings	I	2,3,4	5-153X*	5-1310-1X* 5-1310X**	
	K20 Suburban	2-Piece Driveshaft; w/ Inside Snap Rings	J	2,3,4	5-3147X*	5-795X**	
	K20 Suburban	2-Piece Driveshaft; w/ Outside Snap Rings	J	2,3,4	5-153X*	5-1310-1X* 5-1310X**	
1977-1981	K20 Suburban	1-Piece Driveshaft	I	5	5-153X*	5-1310-1X* 5-1310X**	
	K20 Suburban	1-Piece Driveshaft	I	9	5-178X*	5-1350-1X* 5-1350X**	SPL30-1350XC**
	K20 Suburban	2-Piece Driveshaft	J	5,7,9	5-178X*	5-1350-1X* 5-1350X**	SPL30-1350XC**
1979-1981	K20 Suburban	1-Piece Driveshaft	I	2	5-153X*	5-1310-1X* 5-1310X**	
	K20 Suburban	1-Piece Driveshaft	I	3,4	5-3147X*	5-795X**	
	K20 Suburban	2-Piece Driveshaft	J	2	5-153X*	5-1310-1X* 5-1310X**	
	K20 Suburban	2-Piece Driveshaft	J	3,4	5-3147X*	5-795X**	
1982-1986	K20 Suburban		I	1	5-3226X*	5-760X**	5-760XC**
	K20 Suburban		I	2	5-153X*	5-1310-1X* 5-1310X**	
	K20 Suburban		I	3,4	5-3147X*	5-795X**	
	K20 Suburban		I	5,9	5-178X*	5-1350-1X* 5-1350X**	SPL30-1350XC**
1988-1991	K2500	Standard Trans	N	2	5-212X*	5-793X**	
	K2500	Auto Trans	N	2,3	5-3147X*	5-795X**	
	K2500	Standard Trans; w/ Aluminum Yoke	N	3		5-3614X**	

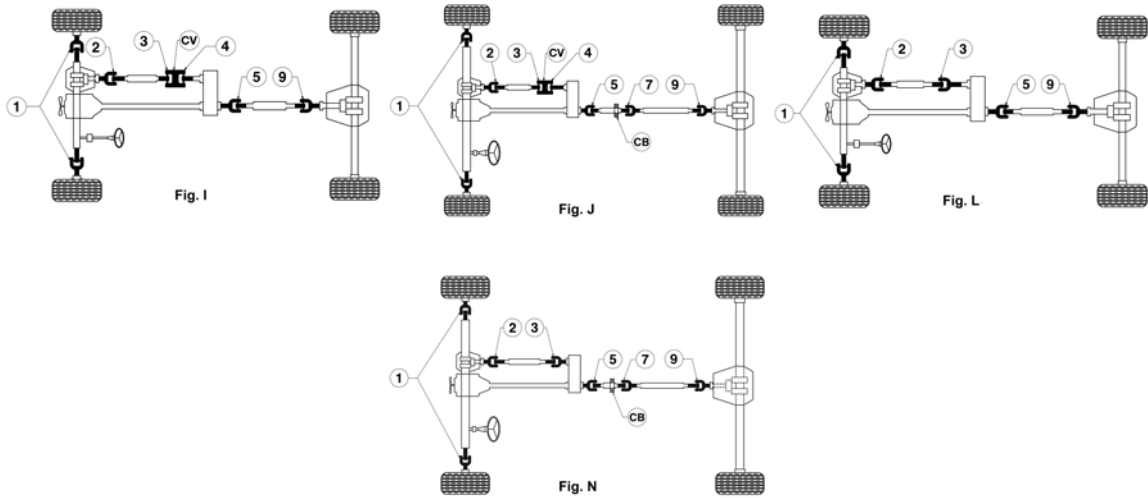
\* GREASEABLE \*\* NON-GREASEABLE

4  
W  
D

**Chevrolet (Cont'd)**

Year	Model	Description	Fig.	Location	Spicer Part #	SPL (Uncoated) Part #	SPL (Coated) Part #
1988-1991	K2500	Standard Trans; w/ Steel Yoke	N	3	5-213X*	5-1330-1X* 5-1330X**	
	K2500	Extended Cab; Standard Cab; w/ Aluminum Yoke	N	5,9		5-3615X**	
	K2500	Extended Cab; Standard Cab; w/ Steel Yoke	N	5,9	5-178X*	5-1350-1X* 5-1350X**	SPL30-1350XC**
	K2500	Extended Cab; w/ Aluminum Yoke	N	7		5-3615X**	
	K2500	Extended Cab; w/ Steel Yoke	N	7	5-178X*	5-1350-1X* 5-1350X**	SPL30-1350XC**
1992-1999	K2500		N	2,3	5-3147X*	5-795X**	
	K2500	w/ Aluminum Yoke	N	5,7,9		5-3615X**	
	K2500	w/ Steel Yoke	N	5,7,9	5-178X*	5-1350-1X* 5-1350X**	SPL30-1350XC**
2000	K2500	1-Piece Driveshaft	L	2,3	5-3147X*	5-795X**	
	K2500	V8 5.7L; 1-Piece Driveshaft	L	5,9	5-178X*	5-1350-1X* 5-1350X**	SPL30-1350XC**
	K2500	V8 6.5L; 1-Piece Driveshaft	L	5,9	5-160X*	5-1410-1X* 5-1410X**	
	K2500	V8 7.4L; 1-Piece Driveshaft	L	5,9	5-160X*	5-1410-1X* 5-1410X**	
1992-1999	K2500 Suburban		L	2,3	5-3147X*	5-795X**	
	K2500 Suburban	w/ Aluminum Yoke	L	5,9		5-3615X**	
	K2500 Suburban	w/ Steel Yoke	L	5,9	5-178X*	5-1350-1X* 5-1350X**	SPL30-1350XC**
1977-1979	K30		J	2,3,4	5-153X*	5-1310-1X* 5-1310X**	
1977-1986	K30		J	1		SPL55-3X** SPL55-4X*	SPL55-1480XC**
1979	K30	w/ 3.500" O.D. Yoke	J	5	5-153X*	5-1310-1X* 5-1310X**	
	K30	w/ 4.000" O.D. Yoke	J	5	5-178X*	5-1350-1X* 5-1350X**	SPL30-1350XC**
	K30		J	7,9	5-178X*	5-1350-1X* 5-1350X**	SPL30-1350XC**
1980-1986	K30	1 Piece Driveshaft	I	CV	211009X		
	K30		J	2	5-153X*	5-1310-1X* 5-1310X**	
	K30		J	3,4	5-3147X*	5-795X**	
	K30		J	5,7,9	5-178X*	5-1350-1X* 5-1350X**	SPL30-1350XC**
	K30	2 Piece Driveshaft	J	CV	211009X		
1988-1989	K3500	1-Piece Driveshaft; w/ Outside Snap Rings	L	2	5-212X*	5-793X**	
	K3500	1-Piece Driveshaft; w/ Inside Snap Rings	L	2,3	5-3147X*	5-795X**	
	K3500	1-Piece Driveshaft; w/ Outside Snap Rings; w/ Aluminum Yoke	L	3		5-3614X**	
	K3500	1-Piece Driveshaft; w/ Outside Snap Rings; w/ Steel Yoke	L	3	5-213X*	5-1330-1X* 5-1330X**	
	K3500	1-Piece Driveshaft; w/ Aluminum Shaft	L	5,9		5-3615X**	
	K3500	1-Piece Driveshaft; w/ Steel Shaft	L	5,9	5-178X*	5-1350-1X* 5-1350X**	SPL30-1350XC**
	K3500	2-Piece Driveshaft; w/ Outside Snap Rings	N	2	5-212X*	5-793X**	
	K3500	2-Piece Driveshaft; w/ Inside Snap Rings	N	2,3	5-3147X*	5-795X**	
	K3500	2-Piece Driveshaft; w/ Outside Snap Rings; w/ Aluminum Yoke	N	3		5-3614X**	
	K3500	2-Piece Driveshaft; w/ Outside Snap Rings; w/ Steel Yoke	N	3	5-213X*	5-1330-1X* 5-1330X**	
	K3500	2-Piece Driveshaft; w/ Aluminum Shaft	N	5,7,9		5-3615X**	
1990-1991	K3500	2 Door; Auto Trans; 1-Piece Driveshaft; w/ Dual Rear Wheels	L	2	5-3147X*	5-795X**	
	K3500	2 Door; Standard Trans; 1-Piece Driveshaft	L	2	5-3147X*	5-795X**	

\* GREASEABLE \*\* NON-GREASEABLE



**Chevrolet (Cont'd)**

Year	Model	Description	Fig.	Location	Spicer Part #	SPL (Uncoated) Part #	SPL (Coated) Part #
1990-1991	K3500	2 Door; Auto Trans; 1-Piece Driveshaft; w/ Single Rear Wheels	L	2,3	5-3147X*	5-795X**	
	K3500	2 Door; Auto Trans; 1-Piece Driveshaft; w/ Dual Rear Wheels; w/ Aluminum Yoke	L	3	5-3147X*	5-795X**	
	K3500	2 Door; Auto Trans; 1-Piece Driveshaft; w/ Dual Rear Wheels; w/ Steel Yoke	L	3	5-3147X*	5-795X**	
	K3500	2 Door; Standard Trans; 1-Piece Driveshaft; w/ Aluminum Yoke	L	3	5-3147X*	5-795X**	
	K3500	2 Door; Standard Trans; 1-Piece Driveshaft; w/ Steel Yoke	L	3	5-3147X*	5-795X**	
	K3500	2 Door; 1-Piece Driveshaft; w/ Aluminum Shaft	L	5,9		5-3615X**	
	K3500	2 Door; 1-Piece Driveshaft; w/ Steel Shaft	L	5,9	5-178X*	5-1350-1X* 5-1350X**	SPL30-1350XC**
	K3500	2 Door; Auto Trans; 2-Piece Driveshaft; w/ Dual Rear Wheels	N	2	5-160X*	5-1410-1X* 5-1410X**	
	K3500	2 Door; Standard Trans; 2-Piece Driveshaft	N	2	5-160X*	5-1410-1X* 5-1410X**	
	K3500	2 Door; Auto Trans; 2-Piece Driveshaft; w/ Single Rear Wheels	N	2,3	5-3147X*	5-795X**	
	K3500	2 Door; Auto Trans; 2-Piece Driveshaft; w/ Dual Rear Wheels; w/ Aluminum Yoke	N	3		5-3614X**	
	K3500	2 Door; Auto Trans; 2-Piece Driveshaft; w/ Dual Rear Wheels; w/ Steel Yoke	N	3	5-213X*	5-1330-1X* 5-1330X**	
	K3500	2 Door; Standard Trans; 2-Piece Driveshaft; w/ Aluminum Yoke	N	3		5-3614X**	
	K3500	2 Door; Standard Trans; 2-Piece Driveshaft; w/ Steel Yoke	N	3	5-213X*	5-1330-1X* 5-1330X**	
	K3500	2 Door; 2-Piece Driveshaft; w/ Aluminum Shaft	N	5,7,9		5-3615X**	
K3500	2 Door; 2-Piece Driveshaft; w/ Steel Shaft	N	5,7,9	5-178X*	5-1350-1X* 5-1350X**	SPL30-1350XC**	
1992-1995	K3500	1-Piece Driveshaft; w/ Steel Yoke	L	5,9	5-178X*	5-1350-1X* 5-1350X**	SPL30-1350XC**
1992-1996	K3500	1-Piece Driveshaft	L	2,3	5-3147X*	5-795X**	
	K3500	1-Piece Driveshaft; w/ Aluminum Yoke	L	5,9		5-3615X**	
	K3500	2-Piece Driveshaft	N	2,3	5-3147X*	5-795X**	
	K3500	2-Piece Driveshaft; w/ Aluminum Yoke	N	5,7,9		5-3615X**	
	K3500	2-Piece Driveshaft; w/ Steel Yoke	N	5,7,9	5-178X*	5-1350-1X* 5-1350X**	SPL30-1350XC**

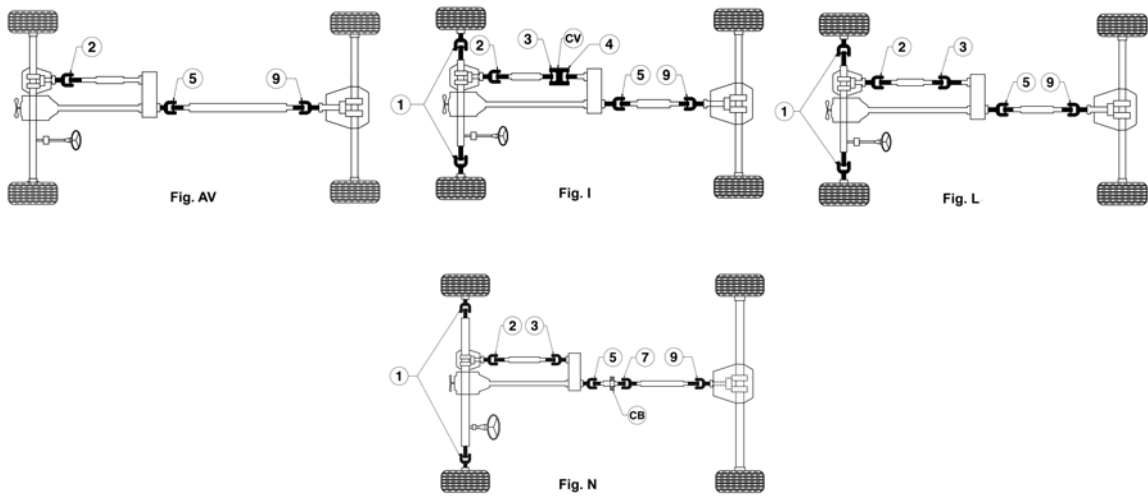
\* GREASEABLE \*\* NON-GREASEABLE

4  
W  
D

**Chevrolet (Cont'd)**

Year	Model	Description	Fig.	Location	Spicer Part #	SPL (Uncoated) Part #	SPL (Coated) Part #
1996	K3500	1-Piece Driveshaft; w/ Steel Yoke	L	5	5-178X*	5-1350-1X* 5-1350X**	SPL30-1350XC**
	K3500	1-Piece Driveshaft; w/ Steel Yoke	L	9	5-178X*	5-1350-1X* 5-1350X**	
1997-1999	K3500		N	2,3	5-3147X*	5-795X**	
	K3500	Cab & Chassis	N	5,7,9	5-160X*	5-1410-1X* 5-1410X**	
	K3500	Crew Cab; Extended Cab; Standard Cab; w/ Aluminum Yoke	N	5,9		5-3615X**	
	K3500	Crew Cab; Extended Cab; Standard Cab; w/ Steel Yoke	N	5,9	5-178X*	5-1350-1X* 5-1350X**	SPL30-1350XC**
	K3500	Crew Cab; Extended Cab; w/ Aluminum Yoke	N	7		5-3615X**	
	K3500	Crew Cab; Extended Cab; w/ Steel Yoke	N	7	5-178X*	5-1350-1X* 5-1350X**	SPL30-1350XC**
	K3500	Crew Cab; Extended Cab; w/ Steel Yoke	N	7		5-3615X**	
2000	K3500	V8 5.7L; 1-Piece Driveshaft	L	2,3	5-3147X*	5-795X**	
	K3500	V8 6.5L; 1-Piece Driveshaft	L	2,3	5-3147X*	5-795X**	
	K3500	V8 7.4L; 1-Piece Driveshaft	L	2,3	5-3147X*	5-795X**	
	K3500	V8 5.7L; 1-Piece Driveshaft	L	5,9	5-178X*	5-1350-1X* 5-1350X**	SPL30-1350XC**
	K3500	V8 6.5L; 1-Piece Driveshaft	L	5,9	5-160X*	5-1410-1X* 5-1410X**	
	K3500	V8 7.4L; 1-Piece Driveshaft	L	5,9	5-160X*	5-1410-1X* 5-1410X**	
1975-1981	K5 Blazer		I	5,9	5-153X*	5-1310-1X* 5-1310X**	
1975-1986	K5 Blazer		I	1	5-3226X*	5-760X**	5-760XC**
	K5 Blazer		I	2	5-153X*	5-1310-1X* 5-1310X**	
	K5 Blazer		I	3,4	5-3147X*	5-795X**	
1978	K5 Blazer	w/ Inside Snap Rings	I	CV	211009X		
1979-1986	K5 Blazer		I	CV	211009X		
1982-1986	K5 Blazer	Auto Trans	I	5,9	5-3147X*	5-795X**	
	K5 Blazer	Standard Trans	I	5,9	5-178X*	5-1350-1X* 5-1350X**	SPL30-1350XC**
1979-1982	LUV		N	2	5-101X**		
	LUV		N	3	5-1515X*		
	LUV		N	5,7,9	5-101X**		
1983-1987	S10		N	2,3	5-3213X*		
1983-1994	S10		N	5,7,9	5-3147X*	5-795X**	
1988-1993	S10	w/ Press-on Slip Yoke Seal	N	2	5-3249X*		
	S10	w/ Screw-on Slip Yoke Seal	N	2,3	5-3213X*		
	S10	w/ Press-on Slip Yoke Seal	N	3	5-153X*	5-1310-1X* 5-1310X**	
1994	S10		N	2	5-3213X*		
1995-1996	S10	ZR2; w/ Aluminum Yoke	L	5		5-3614X**	
	S10	ZR2; w/ Steel Yoke	L	5	5-213X*	5-1330-1X* 5-1330X**	
	S10	Exc. ZR2	L	5,9	5-3147X*	5-795X**	
	S10	ZR2	L	9	5-212X*	5-793X**	
1995-1999	S10		L	2	5-3213X*		
1997-1999	S10		L	5,9	5-3147X*	5-795X**	
2000	S10	1-Piece Driveshaft; Electronic Controlled Transfer Case	AV	2	5-3213X*		
	S10	1-Piece Driveshaft; Exc. Electronic Controlled Transfer Case	AV	2	5-3147X*	5-795X**	
2000-2004	S10	1-Piece Driveshaft	AV	5,9	5-3147X*	5-795X**	
2001-2004	S10	1-Piece Driveshaft	AV	2	5-3213X*		
1983-1987	S10 Blazer		L	2,3	5-3213X*		
1983-1994	S10 Blazer		L	5,9	5-3147X*	5-795X**	
1988-1994	S10 Blazer	w/ Press-on Slip Yoke Seal	L	2	5-3249X*		
	S10 Blazer	w/ Screw-on Slip Yoke Seal	L	2,3	5-3213X*		

\* GREASEABLE \*\* NON-GREASEABLE



**Chevrolet (Cont'd)**

Year	Model	Description	Fig.	Location	Spicer Part #	SPL (Uncoated) Part #	SPL (Coated) Part #
1988-1994	S10 Blazer	w/ Press-on Slip Yoke Seal	L	3	5-153X*	5-1310-1X* 5-1310X**	
1999-2001	Silverado 1500	Extended Cab; Short Bed; 1-Piece Driveshaft	L	2,3	5-3147X*	5-795X**	
	Silverado 1500	Extended Cab; Short Bed; 1-Piece Driveshaft	L	5	5-213X*	5-1330-1X* 5-1330X**	
	Silverado 1500	Extended Cab; Short Bed; 1-Piece Driveshaft	L	9	5-212X*	5-793X**	
	Silverado 1500	Extended Cab; Long Bed; 2-Piece Driveshaft	N	5,7	5-213X*	5-1330-1X* 5-1330X**	
	Silverado 1500	Extended Cab; Long Bed; 2-Piece Driveshaft	N	9	5-212X*	5-793X**	
1999-2004	Silverado 1500	Standard Cab; 1-Piece Driveshaft	L	2,3,5,9	5-3147X*	5-795X**	
2002-2003	Silverado 1500	Extended Cab; Long Bed; 2-Piece Driveshaft; w/o QuadraSteer	N	5,7	5-213X*	5-1330-1X* 5-1330X**	
	Silverado 1500	Extended Cab; Long Bed; 2-Piece Driveshaft; w/o QuadraSteer	N	9	5-212X*	5-793X**	
2002-2005	Silverado 1500	Extended Cab; Standard Bed; 1-Piece Driveshaft; w/ QuadraSteer	L	2,3	5-3147X*	5-795X**	
	Silverado 1500	Extended Cab; Standard Bed; 1-Piece Driveshaft; w/o QuadraSteer	L	2,3	5-3147X*	5-795X**	
	Silverado 1500	Extended Cab; Standard Bed; 1-Piece Driveshaft; w/o QuadraSteer	L	5	5-213X*	5-1330-1X* 5-1330X**	
	Silverado 1500	Extended Cab; Standard Bed; 1-Piece Driveshaft; w/ QuadraSteer	L	5,9	5-178X*	5-1350-1X* 5-1350X**	SPL30-1350XC**
	Silverado 1500	Extended Cab; Standard Bed; 1-Piece Driveshaft; w/o QuadraSteer	L	9	5-212X*	5-793X**	
2004	Silverado 1500	Crew Cab; 2-Piece Driveshaft	N	2,3	5-3147X*	5-795X**	
	Silverado 1500	Extended Cab; Long Bed; 2-Piece Driveshaft; w/ QuadraSteer	N	2,3	5-3147X*	5-795X**	
	Silverado 1500	Extended Cab; Long Bed; 2-Piece Driveshaft; w/ QuadraSteer	N	5,7	5-213X*	5-1330-1X* 5-1330X**	
	Silverado 1500	Crew Cab; 2-Piece Driveshaft	N	5,7,9	5-178X*	5-1350-1X* 5-1350X**	SPL30-1350XC**
	Silverado 1500	Extended Cab; Long Bed; 2-Piece Driveshaft; w/ QuadraSteer	N	9	5-212X*	5-793X**	
2005	Silverado 1500	Crew Cab; 1-Piece Driveshaft; w/ QuadraSteer	L	2,3	5-3147X*	5-795X**	
	Silverado 1500	Crew Cab; 1-Piece Driveshaft; w/o QuadraSteer	L	2,3	5-3147X*	5-795X**	
	Silverado 1500	Standard Cab; 1-Piece Driveshaft; w/ Inside Snap Rings	L	2,3,5,9	5-3147X*	5-795X**	
	Silverado 1500	Crew Cab; 1-Piece Driveshaft; w/o QuadraSteer; w/ 1.062" Bearing Cup Dia.	L	5	5-213X*	5-1330-1X* 5-1330X**	

\* GREASEABLE \*\* NON-GREASEABLE

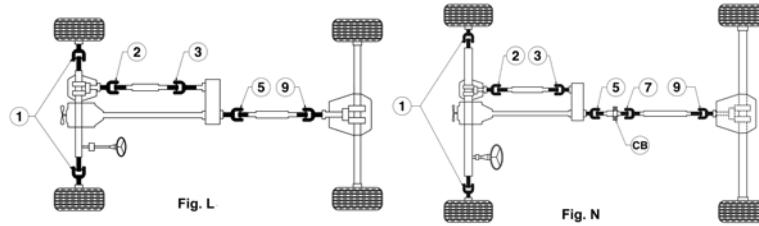
4  
W  
D

**Chevrolet (Cont'd)**

Year	Model	Description	Fig.	Location	Spicer Part #	SPL (Uncoated) Part #	SPL (Coated) Part #
2005	Silverado 1500	Crew Cab; 1-Piece Driveshaft; w/ Quadrasteer	L	5,9	5-178X*	5-1350-1X* 5-1350X**	SPL30-1350XC**
	Silverado 1500	Crew Cab; 1-Piece Driveshaft; w/o Quadrasteer; w/ 1.188" Bearing Cup Dia.	L	5,9	5-178X*	5-1350-1X* 5-1350X**	SPL30-1350XC**
	Silverado 1500	Standard Cab; 1-Piece Driveshaft; w/ Outside Snap Rings	L	5,9	5-178X*	5-1350-1X* 5-1350X**	SPL30-1350XC**
	Silverado 1500	Crew Cab; 1-Piece Driveshaft; w/o Quadrasteer; w/ 1.062" & 1.125" Bearing Cup Dia.	L	9	5-212X*	5-793X**	
	Silverado 1500	Extended Cab; Long Bed; 2-Piece Driveshaft; w/o Quadrasteer	N	2,3	5-3147X*	5-795X**	
	Silverado 1500	Extended Cab; Long Bed; 2-Piece Driveshaft; w/o Quadrasteer; w/ 1.062" Bearing Cup Dia.	N	5,7	5-213X*	5-1330-1X* 5-1330X**	
	Silverado 1500	Extended Cab; Long Bed; 2-Piece Driveshaft; w/o Quadrasteer; w/ 1.188" Bearing Cup Dia.	N	5,7,9	5-178X*	5-1350-1X* 5-1350X**	SPL30-1350XC**
	Silverado 1500	Extended Cab; Long Bed; 2-Piece Driveshaft; w/o Quadrasteer; w/ 1.062" & 1.125" Bearing Cup Dia.	N	9	5-212X*	5-793X**	
2006	Silverado 1500	Crew Cab; Regular Cab; 1-Piece Driveshaft	L	2,3	5-3147X*	5-795X**	
	Silverado 1500	Extended Cab; Standard Bed; 1-Piece Driveshaft	L	2,3	5-3147X*	5-795X**	
	Silverado 1500	Crew Cab; Regular Cab; 1-Piece Driveshaft	L	5,9	5-178X*	5-1350-1X* 5-1350X**	SPL30-1350XC**
	Silverado 1500	Extended Cab; Standard Bed; 1-Piece Driveshaft	L	5,9	5-178X*	5-1350-1X* 5-1350X**	SPL30-1350XC**
	Silverado 1500	Extended Cab; Long Bed; 2-Piece Driveshaft	N	2,3	5-3147X*	5-795X**	
	Silverado 1500	Extended Cab; Long Bed; 2-Piece Driveshaft	N	5,7,9	5-178X*	5-1350-1X* 5-1350X**	SPL30-1350XC**
2007-2013	Silverado 1500		L	2,3	5-3147X*	5-795X**	
	Silverado 1500		L	5,9	5-3208X**		
2014-2016	Silverado 1500	V8 5.3L; 1-Piece Driveshaft	L	2,3	5-3147X*	5-795X**	
	Silverado 1500	V8 6.2L; 1-Piece Driveshaft	L	2,3	5-3147X*	5-795X**	
	Silverado 1500	V8 5.3L; 1-Piece Driveshaft	L	5,9	5-160X*	5-1410-1X* 5-1410X**	
	Silverado 1500	V8 6.2L; 1-Piece Driveshaft	L	5,9	5-160X*	5-1410-1X* 5-1410X**	
2002-2003	Silverado 1500 HD		N	2,3	5-3147X*	5-795X**	
	Silverado 1500 HD		N	5,7,9	5-178X*	5-1350-1X* 5-1350X**	SPL30-1350XC**
2006	Silverado 1500 HD		L	2,3	5-3147X*	5-795X**	
	Silverado 1500 HD		L	5,9	5-178X*	5-1350-1X* 5-1350X**	SPL30-1350XC**
1999	Silverado 2500	Auto Trans; Extended Cab; 96.0" WB; w/ Aluminum Yoke	N	7		5-3615X**	
	Silverado 2500	Auto Trans; Extended Cab; 96.0" WB; w/ Steel Yoke	N	7	5-178X*	5-1350-1X* 5-1350X**	SPL30-1350XC**
1999-2000	Silverado 2500	Auto Trans; w/ Aluminum Yoke	N	5,9		5-3615X**	
	Silverado 2500	Auto Trans; w/ Steel Yoke	N	5,9	5-178X*	5-1350-1X* 5-1350X**	SPL30-1350XC**
	Silverado 2500	Standard Trans	N	5,9	5-160X*	5-1410-1X* 5-1410X**	
2000	Silverado 2500	Auto Trans; Extended Cab; 96.0" Bed; w/ Aluminum Yoke	N	7		5-3615X**	
	Silverado 2500	Auto Trans; Extended Cab; 96.0" Bed; w/ Steel Yoke	N	7	5-178X*	5-1350-1X* 5-1350X**	SPL30-1350XC**
2001-2003	Silverado 2500		L	2,3	5-3147X*	5-795X**	
	Silverado 2500		L	5,9	5-178X*	5-1350-1X* 5-1350X**	SPL30-1350XC**
2004	Silverado 2500		N	2,3	5-3147X*	5-795X**	
	Silverado 2500	Crew Cab; Extended Cab; Standard Cab	N	5,9	5-178X*	5-1350-1X* 5-1350X**	SPL30-1350XC**

\* GREASEABLE \*\* NON-GREASEABLE





**Chevrolet (Cont'd)**

Year	Model	Description	Fig.	Location	Spicer Part #	SPL (Uncoated) Part #	SPL (Coated) Part #
2004	Silverado 2500	Crew Cab	N	7	5-178X*	5-1350-1X* 5-1350X**	SPL30-1350C**
2001-2006	Silverado 2500 HD	Exc. Cab & Chassis	N	2,3	5-3147X*	5-795X**	
	Silverado 2500 HD	w/ Spicer 1410 Series; w/ Aluminum Yoke	N	5,7,9		5-3616X**	
	Silverado 2500 HD	w/ Spicer 1410 Series; w/ Steel Yoke	N	5,7,9	5-160X*	5-1410-1X* 5-1410X**	
	Silverado 2500 HD	w/ Spicer 1480 Series	N	5,7,9	5-188X*	SPL55-1X* SPL55X**	
2007	Silverado 2500 HD	w/ AAM 1415 Series	N	5,9	5-3207X**		
	Silverado 2500 HD	Cab & Chassis; Extended Cab; Standard Cab	N	2,3	5-3147X*	5-795X**	
	Silverado 2500 HD	Crew Cab; 97.6" Bed	N	2,3	5-3147X**	5-795X**	
	Silverado 2500 HD	6.0L	N	5,9	5-3207X**		
	Silverado 2500 HD	6.6L	N	5,9	5-3206X**		
2008-2011	Silverado 2500 HD	6.0L; Crew Cab; 97.6" Bed	N	7	5-3207X**		
	Silverado 2500 HD	6.0L; 1-Piece Driveshaft	L	5,9	5-160X*	5-1410-1X* 5-1410X**	
	Silverado 2500 HD	6.6L; 1-Piece Driveshaft; AAM 1485 Series	L	5,9	5-3206X**		
	Silverado 2500 HD	6.0L; 2-Piece Driveshaft	N	5,7,9	5-160X*	5-1410-1X* 5-1410X**	
2012-2013	Silverado 2500 HD	6.6L; 2-Piece Driveshaft; AAM 1485 Series	N	5,7,9	5-3206X**		
	Silverado 2500 HD		N	2,3	5-3147X*	5-795X**	
	Silverado 2500 HD	Diesel; w/ AAM 1485 Series	N	5,9	5-3206X**		
	Silverado 2500 HD	Flex-Fuel; Gas; w/ AAM 1415 Series	N	5,9	5-3207X**		
	Silverado 2500 HD	Diesel; Crew Cab; w/ AAM 1485 Series	N	7	5-3206X**		
2014-2016	Silverado 2500 HD	Flex-Fuel; Gas; Crew Cab; w/ AAM 1415 Series	N	7	5-3207X**		
	Silverado 2500 HD	1-Piece Driveshaft	L	2,3	5-3147X*	5-795X**	
	Silverado 2500 HD	V8 6.0L; LT; 1-Piece Driveshaft	L	5,9	5-160X*	5-1410-1X* 5-1410X**	
	Silverado 2500 HD	V8 6.0L; LTZ; 1-Piece Driveshaft	L	5,9	5-160X*	5-1410-1X* 5-1410X**	
	Silverado 2500 HD	V8 6.0L; WT; 1-Piece Driveshaft	L	5,9	5-160X*	5-1410-1X* 5-1410X**	
	Silverado 2500 HD	2-Piece Driveshaft	N	2,3	5-3147X*	5-795X**	
	Silverado 2500 HD	V8 6.0L; LT; 2-Piece Driveshaft	N	7,9	5-160X*	5-1410-1X* 5-1410X**	
	Silverado 2500 HD	V8 6.0L; LTZ; 2-Piece Driveshaft	N	7,9	5-160X*	5-1410-1X* 5-1410X**	
	Silverado 2500 HD	V8 6.0L; WT; 2-Piece Driveshaft	N	7,9	5-160X*	5-1410-1X* 5-1410X**	
	Silverado 2500 HD	V8 6.6L; LTZ; 2-Piece Driveshaft	N	7,9	5-188X*	SPL55-1X* SPL55X**	
2015	Silverado 2500 HD	V8 6.6L; LT; 133.6" WB; 1-Piece Driveshaft	L	5	5-188X*	SPL55-1X* SPL55X**	
	Silverado 2500 HD	V8 6.6L; WT; 133.6" WB; 1-Piece Driveshaft	L	5	5-188X*	SPL55-1X* SPL55X**	
	Silverado 2500 HD	V8 6.6L; LT; 1-Piece Driveshaft	L	9	5-188X*	SPL55-1X* SPL55X**	
	Silverado 2500 HD	V8 6.6L; WT; 1-Piece Driveshaft	L	9	5-188X*	SPL55-1X* SPL55X**	
	Silverado 2500 HD	V8 6.6L; LT; 144.2" WB; 2-Piece Driveshaft	N	7	5-188X*	SPL55-1X* SPL55X**	

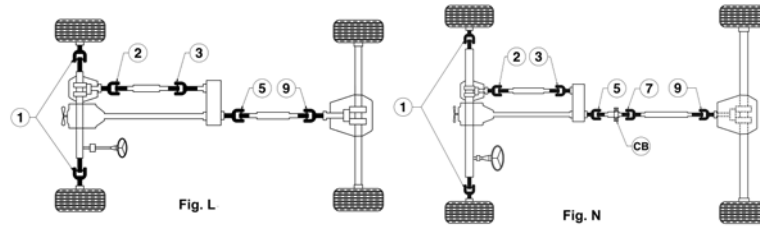
\* GREASEABLE \*\* NON-GREASEABLE

4  
W  
D

**Chevrolet (Cont'd)**

Year	Model	Description	Fig.	Location	Spicer Part #	SPL (Uncoated) Part #	SPL (Coated) Part #
2015	Silverado 2500 HD	V8 6.6L; LT; 153.7" WB; 2-Piece Driveshaft	N	7	5-188X*	SPL55-1X* SPL55X**	
	Silverado 2500 HD	V8 6.6L; LT; 158.1" WB; 2-Piece Driveshaft	N	7	5-188X*	SPL55-1X* SPL55X**	
	Silverado 2500 HD	V8 6.6L; LT; 167.7" WB; 2-Piece Driveshaft	N	7	5-188X*	SPL55-1X* SPL55X**	
	Silverado 2500 HD	V8 6.6L; WT; 144.2" WB; 2-Piece Driveshaft	N	7	5-188X*	SPL55-1X* SPL55X**	
	Silverado 2500 HD	V8 6.6L; WT; 153.7" WB; 2-Piece Driveshaft	N	7	5-188X*	SPL55-1X* SPL55X**	
	Silverado 2500 HD	V8 6.6L; WT; 158.1" WB; 2-Piece Driveshaft	N	7	5-188X*	SPL55-1X* SPL55X**	
	Silverado 2500 HD	V8 6.6L; WT; 167.7" WB; 2-Piece Driveshaft	N	7	5-188X*	SPL55-1X* SPL55X**	
	Silverado 2500 HD	V8 6.6L; LT; 2-Piece Driveshaft	N	9	5-188X*	SPL55-1X* SPL55X**	
	Silverado 2500 HD	V8 6.6L; WT; 2-Piece Driveshaft	N	9	5-188X*	SPL55-1X* SPL55X**	
2015-2016	Silverado 2500 HD	V8 6.0L; High Country; 1-Piece Driveshaft	L	5,9	5-160X*	5-1410-1X* 5-1410X**	
	Silverado 2500 HD	V8 6.6L; High Country; 1-Piece Driveshaft	L	5,9	5-160X*	5-1410-1X* 5-1410X**	
	Silverado 2500 HD	V8 6.0L; High Country; 2-Piece Driveshaft	N	7,9	5-160X*	5-1410-1X* 5-1410X**	
	Silverado 2500 HD	V8 6.6L; High Country; 2-Piece Driveshaft	N	7,9	5-160X*	5-1410-1X* 5-1410X**	
2016	Silverado 2500 HD	V8 6.6L; LT; 133.6" WB; 1-Piece Driveshaft	L	5,9	5-188X*	SPL55-1X* SPL55X**	
	Silverado 2500 HD	V8 6.6L; WT; 133.6" WB; 1-Piece Driveshaft	L	5,9	5-188X*	SPL55-1X* SPL55X**	
	Silverado 2500 HD	V8 6.6L; LT; 144.2" WB; 2-Piece Driveshaft	N	7,9	5-188X*	SPL55-1X* SPL55X**	
	Silverado 2500 HD	V8 6.6L; LT; 153.7" WB; 2-Piece Driveshaft	N	7,9	5-188X*	SPL55-1X* SPL55X**	
	Silverado 2500 HD	V8 6.6L; LT; 158.1" WB; 2-Piece Driveshaft	N	7,9	5-188X*	SPL55-1X* SPL55X**	
	Silverado 2500 HD	V8 6.6L; LT; 167.7" WB; 2-Piece Driveshaft	N	7,9	5-188X*	SPL55-1X* SPL55X**	
	Silverado 2500 HD	V8 6.6L; WT; 144.2" WB; 2-Piece Driveshaft	N	7,9	5-188X*	SPL55-1X* SPL55X**	
	Silverado 2500 HD	V8 6.6L; WT; 153.7" WB; 2-Piece Driveshaft	N	7,9	5-188X*	SPL55-1X* SPL55X**	
	Silverado 2500 HD	V8 6.6L; WT; 158.1" WB; 2-Piece Driveshaft	N	7,9	5-188X*	SPL55-1X* SPL55X**	
	Silverado 2500 HD	V8 6.6L; WT; 167.7" WB; 2-Piece Driveshaft	N	7,9	5-188X*	SPL55-1X* SPL55X**	
2007	Silverado 2500 HD Classic	Exc. Cab & Chassis	N	2,3	5-3147X*	5-795X**	
	Silverado 2500 HD Classic	w/ Spicer 1410 Series; w/ Aluminum Yoke	N	5,7,9		5-3616X**	
	Silverado 2500 HD Classic	w/ Spicer 1410 Series; w/ Steel Yoke	N	5,7,9	5-160X*	5-1410-1X* 5-1410X**	
	Silverado 2500 HD Classic	w/ Spicer 1480 Series	N	5,7,9	5-188X*	SPL55-1X* SPL55X**	
	Silverado 2500 HD Classic	w/ AAM 1415 Series	N	5,9	5-3207X**		
2001-2005	Silverado 3500	1-Piece Driveshaft; w/ AAM 1415 Series	L	5,9	5-3207X**		
2001-2006	Silverado 3500	1-Piece Driveshaft	L	2,3	5-3147X*	5-795X**	
	Silverado 3500	1-Piece Driveshaft; w/ Spicer 1410 Series; w/ Aluminum Yoke	L	5,9		5-3616X**	
	Silverado 3500	1-Piece Driveshaft; w/ Spicer 1410 Series; w/ Steel Yoke	L	5,9	5-160X*	5-1410-1X* 5-1410X**	
	Silverado 3500	1-Piece Driveshaft; w/ Spicer 1480 Series	L	5,9	5-188X*	SPL55-1X* SPL55X**	

\* GREASEABLE \*\* NON-GREASEABLE



**Chevrolet (Cont'd)**

Year	Model	Description	Fig.	Location	Spicer Part #	SPL (Uncoated) Part #	SPL (Coated) Part #
2001-2006	Silverado 3500	2-Piece Driveshaft	N	2,3	5-3147X*	5-795X**	
	Silverado 3500	2-Piece Driveshaft; w/ Spicer 1410 Series; w/ Aluminum Yoke	N	5,7,9		5-3616X**	
	Silverado 3500	2-Piece Driveshaft; w/ Spicer 1410 Series; w/ Steel Yoke	N	5,7,9	5-160X*	5-1410-1X* 5-1410X**	
	Silverado 3500	2-Piece Driveshaft; w/ Spicer 1480 Series	N	5,7,9	5-188X*	SPL55-1X* SPL55X**	
2007-2011	Silverado 3500 HD	1-Piece Driveshaft	L	5,9	5-3206X**		
	Silverado 3500 HD	2-Piece Driveshaft	N	5,7,9	5-3206X**		
2012-2013	Silverado 3500 HD		N	2,3	5-3147X*	5-795X**	
2014	Silverado 3500 HD	133.6" WB; 1-Piece Driveshaft	L	5,9	5-188X*	SPL55-1X* SPL55X**	
	Silverado 3500 HD	Exc. 133.6" WB; 2-Piece Driveshaft	N	7,9	5-188X*	SPL55-1X* SPL55X**	
2014-2016	Silverado 3500 HD	1-Piece Driveshaft	L	2,3	5-3147X*	5-795X**	
	Silverado 3500 HD	2-Piece Driveshaft	N	2,3	5-3147X*	5-795X**	
2015-2016	Silverado 3500 HD	LT; LTZ; WT; 133.6" WB; 1-Piece Driveshaft	L	5	5-188X*	SPL55-1X* SPL55X**	
	Silverado 3500 HD	High Country; 1-Piece Driveshaft	L	5,9	5-160X*	5-1410-1X* 5-1410X**	
	Silverado 3500 HD	LT; WT; LTZ; 133.6" WB; 1-Piece Driveshaft	L	9	5-188X*	SPL55-1X* SPL55X**	
	Silverado 3500 HD	High Country; 2-Piece Driveshaft	N	5,7,9	5-160X*	5-1410-1X* 5-1410X**	
	Silverado 3500 HD	LT; LTZ; WT; Exc. 133.6" WB; 2-Piece Driveshaft	N	5,9	5-188X*	SPL55-1X* SPL55X**	
	Silverado 3500 HD	LT; LTZ; WT; 133.6" WB; 2-Piece Driveshaft	N	7	5-188X*	SPL55-1X* SPL55X**	
2015-2016	Suburban	1-Piece Driveshaft	L	2,3	5-3147X*	5-795X**	
	Suburban	1-Piece Driveshaft	L	5,9	5-160X*	5-1410-1X* 5-1410X**	
2000-2006	Suburban 1500	1-Piece Driveshaft	L	2,3,5,9	5-3147X*	5-795X**	
2007-2008	Suburban 1500	V8 5.3L; 1-Piece Driveshaft	L	5,9	5-3147X*	5-795X**	
	Suburban 1500	V8 6.0L; 1-Piece Driveshaft	L	5,9	5-178X*	5-1350-1X* 5-1350X**	SPL30-1350XC**
2007-2014	Suburban 1500	1-Piece Driveshaft	L	2,3	5-3147X*	5-795X**	
2009-2014	Suburban 1500	1-Piece Driveshaft	L	5,9	5-178X*	5-1350-1X* 5-1350X**	SPL30-1350XC**
2000-2013	Suburban 2500	1-Piece Driveshaft	L	2,3	5-3147X*	5-795X**	
2001-2006	Suburban 2500	V8 6.0L; 1-Piece Driveshaft	L	5,9	5-178X*	5-1350-1X* 5-1350X**	SPL30-1350XC**
	Suburban 2500	V8 8.1L; 1-Piece Driveshaft	L	5,9	5-160X*	5-1410-1X* 5-1410X**	
2007	Suburban 2500	1-Piece Driveshaft	L	5,9	5-178X*	5-1350-1X* 5-1350X**	SPL30-1350XC**
2008-2013	Suburban 2500	1-Piece Driveshaft	L	5,9	5-160X*	5-1410-1X* 5-1410X**	
2016	Suburban 3500 HD	1-Piece Driveshaft	L	2,3	5-3147X*	5-795X**	
1995-1999	Tahoe		L	2,3,5,9	5-3147X*	5-795X**	
2000-2006	Tahoe	1-Piece Driveshaft	L	2,3,5,9	5-3147X*	5-795X**	
2008-2016	Tahoe	1-Piece Driveshaft	L	2,3	5-3147X*	5-795X**	

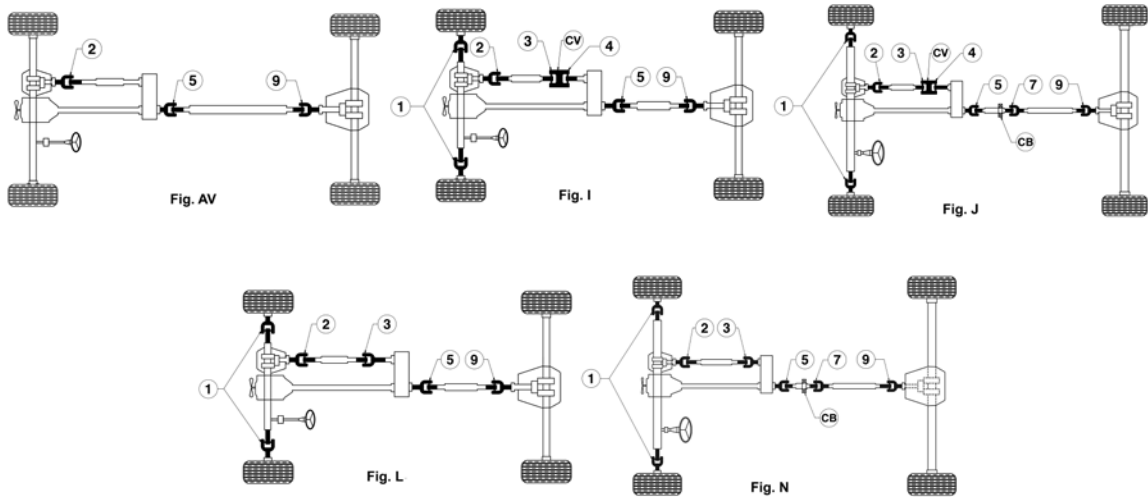
\* GREASEABLE \*\* NON-GREASEABLE

4  
W  
D

**Chevrolet (Cont'd)**

Year	Model	Description	Fig.	Location	Spicer Part #	SPL (Uncoated) Part #	SPL (Coated) Part #
2008-2016	Tahoe	1-Piece Driveshaft	L	5,9	5-178X*	5-1350-1X* 5-1350X**	SPL30-1350XC**
1998-2004	Tracker		L	2,3,5,9	5-1503X*		
2002-2009	Trailblazer	1-Piece Driveshaft	AV	2	5-3213X*		
2006	Trailblazer	L6 4.2L; 1-Piece Driveshaft	AV	5,9	5-3147X*	5-795X**	
	Trailblazer	V8 5.3L; 1-Piece Driveshaft	AV	5,9	5-3147X*	5-795X**	
	Trailblazer	V8 6.0L; 1-Piece Driveshaft	AV	5,9	5-178X*	5-1350-1X* 5-1350X**	SPL30-1350XC**
2007	Trailblazer	L6 4.2L; 1-Piece Driveshaft	AV	5	5-3147X*	5-795X**	
	Trailblazer	V8 5.3L; 1-Piece Driveshaft	AV	5	5-3147X*	5-795X**	
	Trailblazer	1-Piece Driveshaft	AV	9	5-3147X*	5-795X**	
2008	Trailblazer	1-Piece Driveshaft	AV	5,9	5-3147X*	5-795X**	
2009	Trailblazer	1-Piece Driveshaft	AV	5,9	5-178X* 5-3147X*	5-1350-1X* 5-1350X** 5-795X**	SPL30-1350XC**
2002-2006	Trailblazer EXT	1-Piece Driveshaft	AV	2	5-3213X*		
	Trailblazer EXT	1-Piece Driveshaft	AV	5,9	5-3147X*	5-795X**	
1987	V10		I	1	5-3226X*	5-760X**	5-760XC**
	V10		I	2	5-153X*	5-1310-1X* 5-1310X**	
	V10		I	3,4	5-3147X*	5-795X**	
	V10	w/ Inside Snap Rings	I	5,9	5-3147X*	5-795X**	
	V10	w/ Outside Snap Rings	I	5,9	5-178X*	5-1350-1X* 5-1350X**	SPL30-1350XC**
	V10		I	CV	211009X		
	V10 Suburban		I	1	5-3226X*	5-760X**	5-760XC**
1987-1988	V10 Suburban		I	2	5-153X*	5-1310-1X* 5-1310X**	
	V10 Suburban		I	3,4	5-3147X*	5-795X**	
	V10 Suburban	w/ Inside Snap Rings	I	5,9	5-3147X*	5-795X**	
	V10 Suburban	w/ Outside Snap Rings	I	5,9	5-178X*	5-1350-1X* 5-1350X**	SPL30-1350XC**
	V10 Suburban		I	CV	211009X		
	V1500 Suburban		I	1	5-3226X*	5-760X**	5-760XC**
	V1500 Suburban		I	2	5-153X*	5-1310-1X* 5-1310X**	
1989-1991	V1500 Suburban		I	3,4	5-3147X*	5-795X**	
	V1500 Suburban	w/ Inside Snap Rings	I	5,9	5-3147X*	5-795X**	
	V1500 Suburban	w/ Outside Snap Rings	I	5,9	5-178X*	5-1350-1X* 5-1350X**	SPL30-1350XC**
	V1500 Suburban		I	CV	211009X		
	V20		I	1	5-3226X*	5-760X**	5-760XC**
	V20		I	2	5-153X*	5-1310-1X* 5-1310X**	
1987	V20		I	3,4	5-3147X*	5-795X**	
	V20		I	5,9	5-178X*	5-1350-1X* 5-1350X**	SPL30-1350XC**
	V20 Suburban		I	1	5-3226X*	5-760X**	5-760XC**
	V20 Suburban		I	2	5-153X*	5-1310-1X* 5-1310X**	
1987-1988	V20 Suburban		I	3,4	5-3147X*	5-795X**	
	V20 Suburban		I	5,9	5-178X*	5-1350-1X* 5-1350X**	SPL30-1350XC**
	V20 Suburban		I	CV	211009X		
	V2500 Suburban		I	1	5-3226X*	5-760X**	5-760XC**
	V2500 Suburban		I	2	5-153X*	5-1310-1X* 5-1310X**	
1989-1991	V2500 Suburban		I	3,4	5-3147X*	5-795X**	
	V2500 Suburban		I	5,9	5-178X*	5-1350-1X* 5-1350X**	SPL30-1350XC**
	V2500 Suburban		I	CV	211009X		
	V2500 Suburban		I	CV	211009X		

\* GREASEABLE \*\* NON-GREASEABLE



**Chevrolet (Cont'd)**

Year	Model	Description	Fig.	Location	Spicer Part #	SPL (Uncoated) Part #	SPL (Coated) Part #
1987	V30		J	1		SPL55-3X** SPL55-4X*	SPL55-1480XC**
	V30		J	2	5-153X*	5-1310-1X* 5-1310X**	
	V30		J	3,4	5-3147X*	5-795X**	
	V30		J	5,7,9	5-178X*	5-1350-1X* 5-1350X**	SPL30-1350XC**
1987-1988	V30	1 Piece Driveshaft	I	CV	211009X		
	V30	2 Piece Driveshaft	J	CV	211009X		
1988	V30		J	1		SPL55-4X*	
	V30	2-Piece Driveshaft; CV at Transfer Case	J	1		SPL55-3X**	SPL55-1480XC**
	V30	2-Piece Driveshaft; CV at Transfer Case	J	2	5-153X*	5-1310-1X* 5-1310X**	
	V30	2-Piece Driveshaft; CV at Transfer Case	J	3,4	5-3147X*	5-795X**	
	V30	2-Piece Driveshaft; CV at Transfer Case; w/ Aluminum Yoke	J	5,7,9		5-3615X**	
	V30	2-Piece Driveshaft; CV at Transfer Case; w/ Steel Yoke	J	5,7,9	5-178X*	5-1350-1X* 5-1350X**	SPL30-1350XC**
	V30	2-Piece Driveshaft; w/o CV at Transfer Case	N	1	5-3226X*	5-760X**	5-760XC**
	V30	2-Piece Driveshaft; w/ Inside & Outside Snap Rings; w/o CV at Transfer Case	N	2	5-212X*	5-793X**	
	V30	2-Piece Driveshaft; w/ Inside Snap Rings; w/o CV at Transfer Case	N	2,3	5-3147X*	5-795X**	
	V30	2-Piece Driveshaft; w/ Outside Snap Rings; w/o CV at Transfer Case	N	3	5-213X*	5-1330-1X* 5-1330X**	
	V30	2-Piece Driveshaft; w/o CV at Transfer Case	N	5,7,9	5-178X*	5-1350-1X* 5-1350X**	SPL30-1350XC**
1989	V3500	2-Piece Driveshaft	J	1		SPL55-4X*	
	V3500	2-Piece Driveshaft; CV at Transfer Case	J	1		SPL55-3X**	SPL55-1480XC**
	V3500	2-Piece Driveshaft; CV at Transfer Case	J	2	5-153X*	5-1310-1X* 5-1310X**	
	V3500	2-Piece Driveshaft; CV at Transfer Case	J	3,4	5-3147X*	5-795X**	
	V3500	2-Piece Driveshaft; CV at Transfer Case; w/ Aluminum Yoke	J	5,7,9		5-3615X**	
	V3500	2-Piece Driveshaft; CV at Transfer Case; w/ Steel Yoke	J	5,7,9	5-178X*	5-1350-1X* 5-1350X**	SPL30-1350XC**
	V3500	2-Piece Driveshaft; w/o CV at Transfer Case	N	1	5-3226X*	5-760X**	5-760XC**
	V3500	2-Piece Driveshaft; w/ Inside & Outside Snap Rings; w/o CV at Transfer Case	N	2	5-212X*	5-793X**	
	V3500	2-Piece Driveshaft; w/ Inside Snap Rings; w/o CV at Transfer Case	N	2,3	5-3147X*	5-795X**	
	V3500	2-Piece Driveshaft; w/o CV at Transfer Case	N	5,7,9	5-178X*	5-1350-1X* 5-1350X**	SPL30-1350XC**

\* GREASEABLE \*\* NON-GREASEABLE

4  
W  
D

**Chevrolet (Cont'd)**

Year	Model	Description	Fig.	Location	Spicer Part #	SPL (Uncoated) Part #	SPL (Coated) Part #
1989	V3500	2-Piece Driveshaft; w/ Outside Snap Rings; w/o CV at Transfer Case	N	3	5-213X*	5-1330-1X* 5-1330X**	
	V3500	2-Piece Driveshaft; w/o CV at Transfer Case; w/ Aluminum Yoke	N	5,7,9		5-3615X**	
	V3500	2-Piece Driveshaft; w/o CV at Transfer Case; w/ Steel Yoke	N	5,7,9	5-178X*	5-1350-1X* 5-1350X**	SPL30-1350XC**
1989-1990	V3500	2 Piece Driveshaft	J	CV	211009X		
1989-1991	V3500	1 Piece Driveshaft	I	CV	211009X		
1990-1991	V3500		J	1		SPL55-3X** SPL55-4X*	SPL55-1480XC**
	V3500		J	2	5-153X*	5-1310-1X* 5-1310X**	
	V3500		J	3,4	5-3147X*	5-795X**	
	V3500	w/ Aluminum Yoke	J	5,7,9		5-3615X**	
	V3500	w/ Steel Yoke	J	5,7,9	5-178X*	5-1350-1X* 5-1350X**	SPL30-1350XC**

**Chrysler**

Year	Model	Description	Fig.	Location	Spicer Part #	SPL (Uncoated) Part #	SPL (Coated) Part #
2007-2009	Aspen	1-Piece Driveshaft	AV	5,9	5-3147X*	5-795X**	

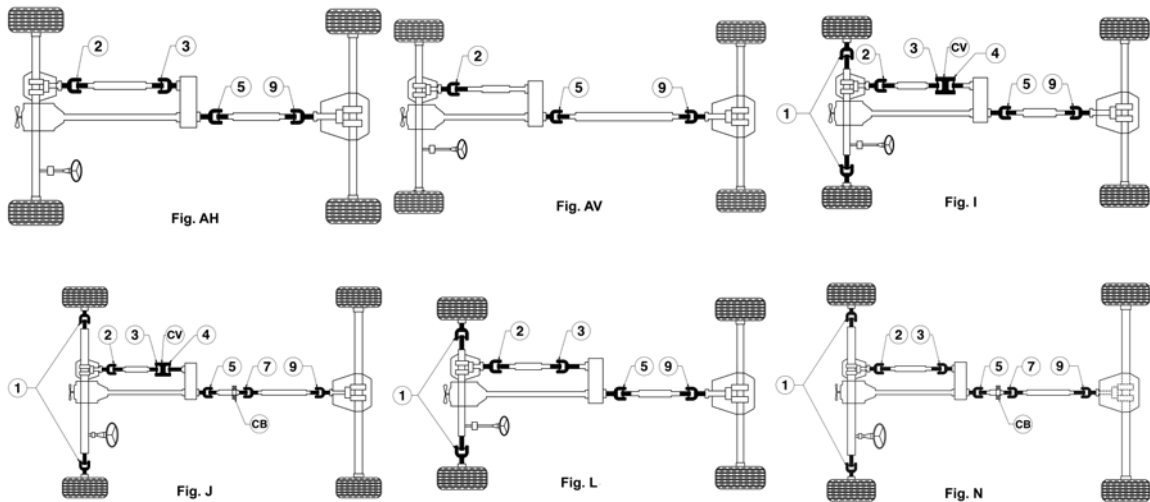
**Daihatsu**

Year	Model	Description	Fig.	Location	Spicer Part #	SPL (Uncoated) Part #	SPL (Coated) Part #
1990-1992	Rocky	1-Piece Driveshaft	AH	5,9	5-3243X*		

**Dodge**

Year	Model	Description	Fig.	Location	Spicer Part #	SPL (Uncoated) Part #	SPL (Coated) Part #
1982	D50		L	2	5-3217X*		
	D50		L	3,5	5-1503X*		
	D50		L	9	5-3217X*		
1987-1990	Dakota		I	5,9	5-3228X*	5-789X**	
1991-1992	Dakota	1330 x 7260 Series Conversion U-Joint; 1.063" & 1.078" Bearing Cup Dia.	I	5,9	5-3246X*		
1991-1993	Dakota	Steel Driveshaft	I	2		5-788X**	
	Dakota	Steel Driveshaft	I	3,4	5-153X*	5-1310-1X* 5-1310X**	
	Dakota	Steel Driveshaft; 1.078" Bearing Cup Dia.	I	5,9	5-3228X*	5-789X**	
	Dakota	Steel Driveshaft; 1.126" Bearing Cup Dia.	I	5,9	5-1309X*	5-811X**	
1992-1993	Dakota	1.063" & 1.125" Bearing Cup Dia.	J	5,9		5-7437X**	
1994-1996	Dakota		I	2		5-788X**	
	Dakota		I	3,4	5-153X*	5-1310-1X* 5-1310X**	
1994-1998	Dakota		I	5,9	5-1309X*	5-811X**	
1994-1999	Dakota	1.063" & 1.125" Bearing Cup Dia.	J	9		5-7437X**	
1997-1999	Dakota		I	2,3,4	5-153X*	5-1310-1X* 5-1310X**	
1999	Dakota		I	5,9	5-213X*	5-1330-1X* 5-1330X**	
2000-2010	Dakota	1-Piece Driveshaft	AV	2	5-153X*	5-1310-1X* 5-1310X**	
	Dakota	1-Piece Driveshaft	AV	5,9	5-213X*	5-1330-1X* 5-1330X**	
1998	Durango		I	5,9	5-1309X*	5-811X**	
1998-1999	Durango		I	2,3,4	5-153X*	5-1310-1X* 5-1310X**	
1999	Durango		I	5,9	5-213X*	5-1330-1X* 5-1330X**	
	Durango	1.063" & 1.125" Bearing Cup Dia.	J	9		5-7437X**	
2000	Durango	V8 4.7L; 1-Piece Driveshaft	AV	5,9	5-213X*	5-1330-1X* 5-1330X**	

\* GREASEABLE \*\* NON-GREASEABLE



**Dodge (Cont'd)**

Year	Model	Description	Fig.	Location	Spicer Part #	SPL (Uncoated) Part #	SPL (Coated) Part #
2000	Durango	V8 5.2L; 1-Piece Driveshaft	AV	5,9	5-3147X*	5-795X**	
	Durango	V8 5.9L; 1-Piece Driveshaft	AV	5,9	5-213X*	5-1330-1X* 5-1330X**	
2001-2003	Durango	1-Piece Driveshaft	AV	5,9	5-213X*	5-1330-1X* 5-1330X**	
2004-2009	Durango	1-Piece Driveshaft	AV	5,9	5-3147X*	5-795X**	
1983-1986	Power Ram 50		L	2,3	5-1503X*		
	Power Ram 50		L	5,9	5-3217X*		
1987-1988	Raider		L	5,9	5-3217X*		
1987-1989	Raider		L	2,3	5-1503X*		
1989	Raider	2.6L	L	5,9	5-3217X*		
	Raider	3.0L	L	5,9	5-3243X*		
1994-1997	Ram 1500	1-Piece Driveshaft	I	2	5-1309X*	5-811X**	
	Ram 1500	2-Piece Driveshaft	J	2	5-1309X*	5-811X**	
1994-1998	Ram 1500	1-Piece Driveshaft	I	1	5-3226X*	5-760X**	5-760XC**
	Ram 1500	1-Piece Driveshaft	I	3,4	5-213X*	5-1330-1X* 5-1330X**	
	Ram 1500	1-Piece Driveshaft	I	5,9	5-1309X*	5-811X**	
	Ram 1500	2-Piece Driveshaft	J	1	5-3226X*	5-760X**	5-760XC**
	Ram 1500	2-Piece Driveshaft	J	3,4	5-213X*	5-1330-1X* 5-1330X**	
	Ram 1500	2-Piece Driveshaft	J	5,7,9	5-1309X*	5-811X**	
	Ram 1500	1-Piece Driveshaft; w/ Inside Snap Rings	I	2	5-1309X*	5-811X**	
	Ram 1500	1-Piece Driveshaft; w/ Outside Snap Rings	I	2	5-3227X*	5-7437X**	
1998	Ram 1500	2-Piece Driveshaft; w/ Inside Snap Rings	J	2	5-1309X*	5-811X**	
	Ram 1500	2-Piece Driveshaft; w/ Outside Snap Rings	J	2	5-3227X*	5-7437X**	
	Ram 1500		J	2	5-3227X*	5-7437X**	
	Ram 1500		J	3,4,5	5-213X*	5-1330-1X* 5-1330X**	
1999	Ram 1500	Crew Cab; Extended Cab	J	7	5-213X*	5-1330-1X* 5-1330X**	
	Ram 1500		J	9	5-3227X*	5-7437X**	
	Ram 1500		J	1	5-3226X*	5-760X**	5-760XC**
1999-2001	Ram 1500		J	2,3,4	5-213X*	5-1330-1X* 5-1330X**	
2000-2001	Ram 1500	Extended Cab; Standard Cab	J	5,9	5-213X*	5-1330-1X* 5-1330X**	
	Ram 1500	Extended Cab	J	7	5-213X*	5-1330-1X* 5-1330X**	

\* GREASEABLE \*\* NON-GREASEABLE

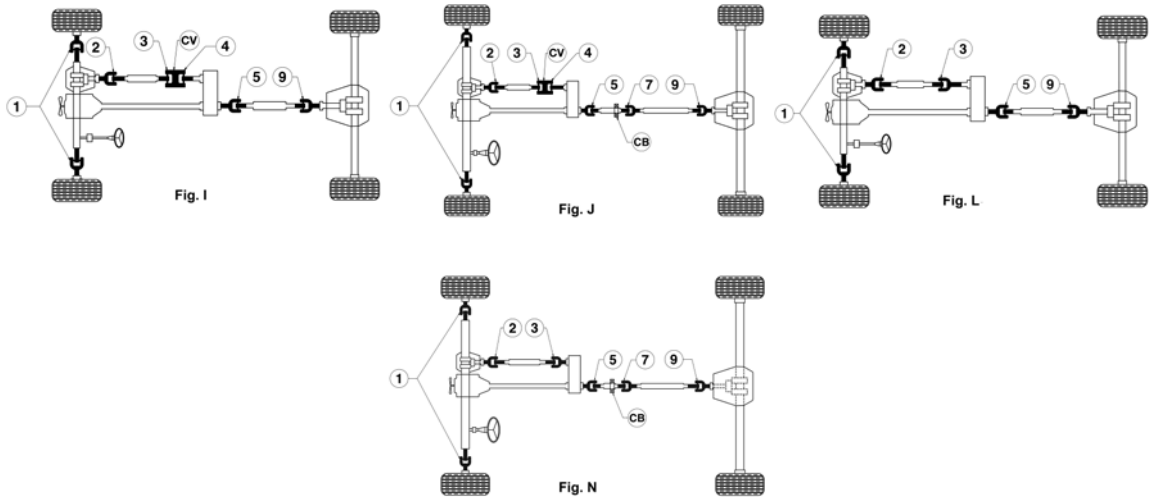
4  
W  
D

**Dodge (Cont'd)**

Year	Model	Description	Fig.	Location	Spicer Part #	SPL (Uncoated) Part #	SPL (Coated) Part #
2002-2005	Ram 1500	1-Piece Driveshaft	L	2,5,9	5-213X*	5-1330-1X* 5-1330X**	
	Ram 1500	2-Piece Driveshaft	N	2,5,7,9	5-213X*	5-1330-1X* 5-1330X**	
2006-2008	Ram 1500	Extended Crew Cab	J	1	5006813**		
	Ram 1500	Extended Crew Cab; 2-Piece Driveshaft; w/ CV at Transfer Case	J	2	5-3147X*	5-795X**	
	Ram 1500	Extended Crew Cab; 2-Piece Driveshaft; w/ CV at Transfer Case	J	3,4	5-3208X**		
	Ram 1500	Extended Crew Cab; 2-Piece Driveshaft; w/ CV at Transfer Case	J	5,9	5-3207X**		
	Ram 1500	Crew Cab; Standard Cab; 3.7L; 1-Piece Driveshaft	L	5	5-213X*	5-1330-1X* 5-1330X**	
	Ram 1500	Crew Cab; Standard Cab; 4.7L; 5.7L; 1-Piece Driveshaft	L	9	5-213X*	5-1330-1X* 5-1330X**	
	Ram 1500	Crew Cab; Standard Cab; 2-Piece Driveshaft; w/o CV at Transfer Case	N	2	5-213X*	5-1330-1X* 5-1330X**	
	Ram 1500	Crew Cab; Standard Cab; 3.7L; 2-Piece Driveshaft; w/o CV at Transfer Case	N	5	5-213X*	5-1330-1X* 5-1330X**	
	Ram 1500	Crew Cab; Standard Cab; 4.7L; 5.7L; 2-Piece Driveshaft; w/o CV at Transfer Case	N	7,9	5-213X*	5-1330-1X* 5-1330X**	
2006-2009	Ram 1500	Crew Cab; Standard Cab; 1-Piece Driveshaft	L	2	5-213X*	5-1330-1X* 5-1330X**	
2009	Ram 1500	Extended Cab	J	1	5006813**		
	Ram 1500	Extended Cab; 2-Piece Driveshaft	J	2	5-3147X*	5-795X**	
	Ram 1500	Extended Cab; 2-Piece Driveshaft	J	3,4	5-3208X**		
	Ram 1500	Extended Cab; 2-Piece Driveshaft	J	5,9	5-3207X**		
	Ram 1500	Crew Cab; Standard Cab; 3.7L; 1-Piece Driveshaft	L	5,9	5-213X*	5-1330-1X* 5-1330X**	
	Ram 1500	Crew Cab; Standard Cab; 4.7L; 5.7L; 1-Piece Driveshaft	L	5,9	5-178X*	5-1350-1X* 5-1350X**	SPL30-1350XC**
2010	Ram 1500	1-Piece Driveshaft	L	5,9	5-178X*	5-1350-1X* 5-1350X**	SPL30-1350XC**
	Ram 1500	2-Piece Driveshaft	N	5,7,9	5-213X*	5-1330-1X* 5-1330X**	
1994	Ram 2500	1-Piece Driveshaft	I	3,4	5-153X*	5-1310-1X* 5-1310X**	
	Ram 2500	1-Piece Driveshaft	I	5,9	5-1309X*	5-811X**	
	Ram 2500	2-Piece Driveshaft	J	3,4	5-153X*	5-1310-1X* 5-1310X**	
	Ram 2500	2-Piece Driveshaft	J	5,7,9	5-1309X*	5-811X**	
1994-1997	Ram 2500	1-Piece Driveshaft	I	2	5-1309X*	5-811X**	
	Ram 2500	2-Piece Driveshaft	J	2	5-1309X*	5-811X**	
1994-1999	Ram 2500	1-Piece Driveshaft; Dana Model 44 Axle	I	1	5-3226X*	5-760X**	5-760XC**
	Ram 2500	1-Piece Driveshaft; Dana Model 60 Axle	I	1		SPL55-3X** SPL55-4X*	SPL55-1480XC**
	Ram 2500	2-Piece Driveshaft; Dana Model 44 Axle	J	1	5-3226X*	5-760X**	5-760XC**
	Ram 2500	2-Piece Driveshaft; Dana Model 60 Axle	J	1		SPL55-3X** SPL55-4X*	SPL55-1480XC**
1995-1997	Ram 2500	1-Piece Driveshaft	I	3,4	5-1203X*		
	Ram 2500	1-Piece Driveshaft; 1.126" Bearing Cup Dia.; w/ 9.25" Chrysler Axle & 7290 Series	I	5,9	5-1309X*	5-811X**	
	Ram 2500	1-Piece Driveshaft; 1.188" Bearing Cup Dia.; w/ Dana Axle	I	5,9	5-160X*	5-1410-1X* 5-1410X**	
	Ram 2500	2-Piece Driveshaft	J	3,4	5-1203X*		
	Ram 2500	2-Piece Driveshaft; 1.126" Bearing Cup Dia.; w/ 9.25" Chrysler Axle & 7290 Series	J	5,7,9	5-1309X*	5-811X**	
	Ram 2500	2-Piece Driveshaft; 1.188" Bearing Cup Dia.; w/ Dana Axle	J	5,7,9	5-160X*	5-1410-1X* 5-1410X**	
1998-1999	Ram 2500	1-Piece Driveshaft; w/ Inside Snap Rings	I	2	5-1309X*	5-811X**	
	Ram 2500	1-Piece Driveshaft; w/ Outside Snap Rings	I	2	5-3227X*	5-7437X**	
	Ram 2500	1-Piece Driveshaft	I	3,4	5-213X*	5-1330-1X* 5-1330X**	

\* GREASEABLE \*\* NON-GREASEABLE





**Dodge (Cont'd)**

Year	Model	Description	Fig.	Location	Spicer Part #	SPL (Uncoated) Part #	SPL (Coated) Part #
1998-1999	Ram 2500	2-Piece Driveshaft; w/ Inside Snap Rings	J	2	5-1309X*	5-811X**	
	Ram 2500	2-Piece Driveshaft; w/ Outside Snap Rings	J	2	5-3227X*	5-7437X**	
	Ram 2500	2-Piece Driveshaft	J	3,4	5-213X*	5-1330-1X* 5-1330X**	
1998-2002	Ram 2500	1-Piece Driveshaft	I	5,9	5-160X*	5-1410-1X* 5-1410X**	
	Ram 2500	2-Piece Driveshaft	J	5,7,9	5-160X*	5-1410-1X* 5-1410X**	
2000-2002	Ram 2500	1-Piece Driveshaft	I	1		SPL55-3X** SPL55-4X*	SPL55-1480XC**
	Ram 2500	1-Piece Driveshaft	I	2,3,4	5-213X*	5-1330-1X* 5-1330X**	
	Ram 2500	2-Piece Driveshaft	J	1		SPL55-3X** SPL55-4X*	SPL55-1480XC**
	Ram 2500	2-Piece Driveshaft	J	2,3,4	5-213X*	5-1330-1X* 5-1330X**	
2003-2004	Ram 2500	1-Piece Driveshaft; w/ Spicer CV Head	I	3,4	5-213X*	5-1330-1X* 5-1330X**	
	Ram 2500	1-Piece Driveshaft; w/ 1410 Series	I	5,9	5-160X*	5-1410-1X* 5-1410X**	
	Ram 2500	2-Piece Driveshaft; w/ Spicer CV Head	J	3,4	5-213X*	5-1330-1X* 5-1330X**	
	Ram 2500	2-Piece Driveshaft; w/ 1410 Series	J	5,7,9	5-160X*	5-1410-1X* 5-1410X**	
2003-2005	Ram 2500	2-Piece Driveshaft	J	2	5-3147X*	5-795X**	
2003-2006	Ram 2500		J	1	5006813**		
2005	Ram 2500	1-Piece Driveshaft	I	3,4	5-3208X**		
	Ram 2500	Diesel; 1-Piece Driveshaft	I	5,9	5-160X*	5-1410-1X* 5-1410X**	
	Ram 2500	Gas; Auto Trans; 1-Piece Driveshaft	I	5,9	5-160X*	5-1410-1X* 5-1410X**	
	Ram 2500	Gas; Standard Trans; 1-Piece Driveshaft	I	5,9	5-3206X**		
	Ram 2500	2-Piece Driveshaft	J	3,4	5-3208X**		
	Ram 2500	Diesel; Auto Trans; 2-Piece Driveshaft	J	5,7,9	5-160X*	5-1410-1X* 5-1410X**	
	Ram 2500	Diesel; Standard Trans; G56; 2-Piece Driveshaft; AAM 1485 Series	J	5,7,9	5-3231X**		
	Ram 2500	Diesel; Standard Trans; NV5600; 2-Piece Driveshaft	J	5,7,9	5-3206X**		
	Ram 2500	Gas; Auto Trans; 2-Piece Driveshaft	J	5,7,9	5-160X*	5-1410-1X* 5-1410X**	
	Ram 2500	Gas; Auto Trans; 2-Piece Driveshaft	J	5,7,9	5-160X*	5-1410-1X* 5-1410X**	

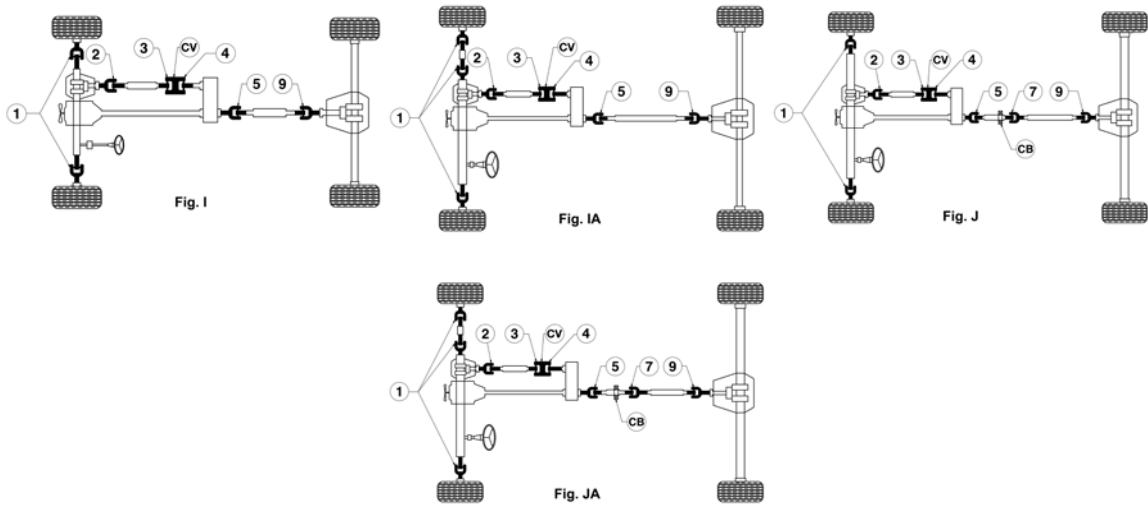
\* GREASEABLE \*\* NON-GREASEABLE

4  
W  
D

**Dodge (Cont'd)**

Year	Model	Description	Fig.	Location	Spicer Part #	SPL (Uncoated) Part #	SPL (Coated) Part #	
2005	Ram 2500	Gas; Standard Trans; 2-Piece Driveshaft	J	5,7,9	5-3206X**			
2006	Ram 2500	1-Piece Driveshaft; w/ AAM 1355 Series	I	2	5-3208X**			
	Ram 2500	2-Piece Driveshaft; w/ AAM 1355 Series	J	2	5-3208X**			
2007-2008	Ram 2500	6.7L; 1-Piece Driveshaft	I	1	5006813**			
	Ram 2500	6.7L; 1-Piece Driveshaft	I	2	5-3147X*	5-795X**		
	Ram 2500	6.7L; 1-Piece Driveshaft; w/ AAM 1355 Series	I	3,4	5-3208X**			
	Ram 2500	5.7L; 2-Piece Driveshaft; w/ AAM 1415 Series	J	5,7,9	5-3207X**			
2007-2009	Ram 2500	Standard Trans; 6.7L; 2-Piece Driveshaft; w/ AAM 1485 Series	J	5,7,9	5-3206X**			
	Ram 2500	Auto Trans; 6.7L; 1-Piece Driveshaft; w/ AAM 1415 Series	I	5,9	5-3207X**			
	Ram 2500	Standard Trans; 6.7L; 1-Piece Driveshaft; w/ AAM 1485 Series	I	5,9	5-3206X**			
	Ram 2500	5.7L; 6.7L; 2-Piece Driveshaft	J	1	5006813**			
	Ram 2500	5.7L; 6.7L; 2-Piece Driveshaft	J	2	5-3147X*	5-795X**		
2007-2010	Ram 2500	5.7L; 6.7L; 2-Piece Driveshaft; w/ AAM 1355 Series	J	3,4	5-3208X**			
	Ram 2500	Auto Trans; 6.7L; 2-Piece Driveshaft	J	5,7,9	5-160X*	5-1410-1X* 5-1410X**		
2009	Ram 2500	5.7L; 6.7L; 1-Piece Driveshaft	I	2	5-3147X*	5-795X**		
	Ram 2500	5.7L; 6.7L; 1-Piece Driveshaft; w/ AAM 1355 Series	I	3,4	5-3208X**			
	Ram 2500	Exc. Power Wagon; Standard Trans; 5.7L; 1-Piece Driveshaft; w/ AAM 1485 Series	I	5,9	5-3206X**			
	Ram 2500	Power Wagon; 5.7L; 1-Piece Driveshaft; w/ AAM 1415 Series	I	5,9	5-3207X**			
	Ram 2500	Exc. Power Wagon; Standard Trans; 5.7L; 2-Piece Driveshaft; w/ AAM 1485 Series	J	5,7,9	5-3206X**			
	Ram 2500	Power Wagon; 5.7L; 2-Piece Driveshaft	J	5,7,9	5-160X*	5-1410-1X* 5-1410X**		
2009-2010	Ram 2500	Exc. Power Wagon; Auto Trans; 5.7L; 1-Piece Driveshaft; w/ AAM 1415 Series	I	5,9	5-3207X**			
	Ram 2500	Exc. Power Wagon; Auto Trans; 5.7L; 2-Piece Driveshaft	J	5,7,9	5-160X*	5-1410-1X* 5-1410X**		
	Ram 2500	Standard Trans; 6.7L; 2-Piece Driveshaft	J	5,7,9	5-3206X**			
2010	Ram 2500	1-Piece Driveshaft	I	1	5006813**			
	Ram 2500	1-Piece Driveshaft	I	2	5-3147X*	5-795X**		
	Ram 2500	1-Piece Driveshaft; w/ AAM 1355 Series	I	3,4	5-3208X**			
	Ram 2500	Auto Trans; 6.7L; 1-Piece Driveshaft; w/ Spicer Driveshaft	I	5,9	5-3207X**			
	Ram 2500	Exc. Power Wagon; Standard Trans; 5.7L; 1-Piece Driveshaft; w/ Spicer Driveshaft	I	5,9	5-188X*	SPL55-1X* SPL55X**		
	Ram 2500	Power Wagon; Auto Trans; 5.7L; 1-Piece Driveshaft; w/ AAM 1415 Series	I	5,9	5-3207X**			
	Ram 2500	Standard Trans; 6.7L; 1-Piece Driveshaft; w/ Spicer Driveshaft	I	5,9	5-188X*	SPL55-1X* SPL55X**		
	Ram 2500	2-Piece Driveshaft	J	2,3,4	5-3147X*	5-795X**		
	Ram 2500	Exc. Power Wagon; Standard Trans; 5.7L; 2-Piece Driveshaft	J	5,7,9	5-188X*	SPL55-1X* SPL55X**		
	Ram 2500	Power Wagon; Auto Trans; 5.7L; 2-Piece Driveshaft	J	5,7,9	5-160X*	5-1410-1X* 5-1410X**		
	1994	Ram 3500	1-Piece Driveshaft	IA	5,9	5-160X*	5-1410-1X* 5-1410X**	
1994-1996		Ram 3500	1-Piece Driveshaft	IA	2	5-1309X*	5-811X**	
		Ram 3500	2-Piece Driveshaft	JA	2	5-1309X*	5-811X**	
1994-2001	Ram 3500	1-Piece Driveshaft	IA	1		SPL55-3X** SPL55-4X*	SPL55-1480XC**	
	Ram 3500	1-Piece Driveshaft	IA	3,4	5-213X*	5-1330-1X* 5-1330X**		
	Ram 3500	2-Piece Driveshaft	JA	1		SPL55-3X** SPL55-4X*	SPL55-1480XC**	

\* GREASEABLE \*\* NON-GREASEABLE



**Dodge (Cont'd)**

Year	Model	Description	Fig.	Location	Spicer Part #	SPL (Uncoated) Part #	SPL (Coated) Part #
1994-2001	Ram 3500	2-Piece Driveshaft	JA	3,4	5-213X*	5-1330-1X* 5-1330X**	
1995-1997	Ram 3500	2-Piece Driveshaft; 1.125" Bearing Cup Dia.	JA	5,7,9	5-1309X*	5-811X**	
	Ram 3500	2-Piece Driveshaft; 1.188" Bearing Cup Dia.	JA	5,7,9	5-160X*	5-1410-1X* 5-1410X**	
1995-1999	Ram 3500	1-Piece Driveshaft; 1.125" Bearing Cup Dia.	IA	5,9	5-1309X*	5-811X**	
	Ram 3500	1-Piece Driveshaft; 1.188" Bearing Cup Dia.	IA	5,9	5-160X*	5-1410-1X* 5-1410X**	
1997	Ram 3500	1-Piece Driveshaft; w/ Outside Snap Rings	IA	2	5-3227X*	5-7437X**	
	Ram 3500	2-Piece Driveshaft; w/ Outside Snap Rings	JA	2	5-3227X*	5-7437X**	
1997-1999	Ram 3500	1-Piece Driveshaft; w/ Inside Snap Rings	IA	2	5-1309X*	5-811X**	
	Ram 3500	2-Piece Driveshaft; w/ Inside Snap Rings	JA	2	5-1309X*	5-811X**	
1998-1999	Ram 3500	1-Piece Driveshaft; w/ Inside & Outside Snap Rings	IA	2	5-3227X*	5-7437X**	
	Ram 3500	2-Piece Driveshaft; w/ Inside & Outside Snap Rings	JA	2	5-3227X*	5-7437X**	
1998-2001	Ram 3500	1-Piece Driveshaft; 1.062" Bearing Cup Dia.	IA	5,9	5-213X*	5-1330-1X* 5-1330X**	
	Ram 3500	2-Piece Driveshaft	JA	5,7,9	5-160X*	5-1410-1X* 5-1410X**	
2000-2001	Ram 3500	1-Piece Driveshaft	IA	2	5-3147X*	5-795X**	
	Ram 3500	1-Piece Driveshaft; 1.188" Bearing Cup Dia.; 3.625 cap to cap lockup	IA	5,9	5-178X*	5-1350-1X* 5-1350X**	SPL30-1350XC**
	Ram 3500	1-Piece Driveshaft; 1.188" Bearing Cup Dia.; 4.188 cap to cap lockup	IA	5,9	5-160X*	5-1410-1X* 5-1410X**	
	Ram 3500	2-Piece Driveshaft	JA	2	5-3147X*	5-795X**	
2002	Ram 3500	1-Piece Driveshaft	I	1		SPL55-3X** SPL55-4X*	SPL55-1480XC**
	Ram 3500	1-Piece Driveshaft; 1.062" Bearing Cup Dia.	I	5,9	5-213X*	5-1330-1X* 5-1330X**	
	Ram 3500	1-Piece Driveshaft; 1.188" Bearing Cup Dia.; 3.625 cap to cap lockup	I	5,9	5-178X*	5-1350-1X* 5-1350X**	SPL30-1350XC**
	Ram 3500	1-Piece Driveshaft; 1.188" Bearing Cup Dia.; 4.188 cap to cap lockup	I	5,9	5-160X*	5-1410-1X* 5-1410X**	
	Ram 3500	2-Piece Driveshaft	J	1		SPL55-3X** SPL55-4X*	SPL55-1480XC**
	Ram 3500	2-Piece Driveshaft	J	5,7,9	5-160X*	5-1410-1X* 5-1410X**	
	Ram 3500	1-Piece Driveshaft	I	3,4	5-213X*	5-1330-1X* 5-1330X**	

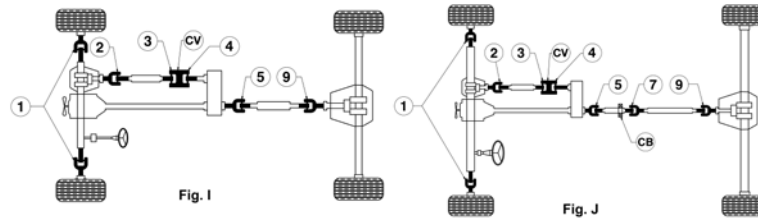
\* GREASEABLE \*\* NON-GREASEABLE

4  
W  
D

**Dodge (Cont'd)**

Year	Model	Description	Fig.	Location	Spicer Part #	SPL (Uncoated) Part #	SPL (Coated) Part #	
2002-2004	Ram 3500	2-Piece Driveshaft	J	3,4	5-213X*	5-1330-1X* 5-1330X**		
2002-2007	Ram 3500	1-Piece Driveshaft	I	2	5-3147X*	5-795X**		
	Ram 3500	2-Piece Driveshaft	J	2	5-3147X*	5-795X**		
2003	Ram 3500	1-Piece Driveshaft; w/ AAM 1415 Series	I	5,9	5-3207X**			
	Ram 3500	1-Piece Driveshaft; w/ AAM 1485 Series	I	5,9	5-3206X**			
	Ram 3500	2-Piece Driveshaft; w/ AAM 1415 Series	J	5,7,9	5-3207X**			
	Ram 3500	2-Piece Driveshaft; w/ AAM 1485 Series	J	5,7,9	5-3206X**			
	Ram 3500	2-Piece Driveshaft; w/ Spicer 1410 Series	J	5,7,9	5-160X*	5-1410-1X* 5-1410X**		
2003-2004	Ram 3500	1-Piece Driveshaft; w/ Spicer 1410 Series	I	5,9	5-160X*	5-1410-1X* 5-1410X**		
2003-2006	Ram 3500		J	1	5006813**			
2004	Ram 3500	2-Piece Driveshaft; Spicer 1410 Series	J	5	5-3206X**			
	Ram 3500	Crew Cab; Standard Cab; 4-Speed; 5-Speed; 2-Piece Driveshaft; w/ AAM 1415 Series	J	5,9	5-3207X**			
	Ram 3500	Crew Cab; Standard Cab; 6-Speed; 2-Piece Driveshaft; w/ AAM 1485 Series	J	5,9	5-3206X**			
	Ram 3500	Crew Cab; 4-Speed; 5-Speed; 2-Piece Driveshaft; w/ AAM 1415 Series	J	7	5-3207X**			
	Ram 3500	Crew Cab; 6-Speed; 2-Piece Driveshaft; w/ AAM 1485 Series	J	7	5-3206X**			
	Ram 3500	2-Piece Driveshaft; Spicer 1410 Series	J	7,9	5-3207X**			
2005-2006	Ram 3500	1-Piece Driveshaft	I	3,4	5-3208X**			
	Ram 3500	5.7L; 1-Piece Driveshaft	I	5,9	5-3207X**			
	Ram 3500	5.9L; Auto Trans; 1-Piece Driveshaft	I	5,9	5-3207X**			
	Ram 3500	5.9L; Standard Trans; 1-Piece Driveshaft	I	5,9	5-3206X**			
	Ram 3500	2-Piece Driveshaft	J	3,4	5-3208X**			
	Ram 3500	5.7L; 2-Piece Driveshaft	J	5,7,9	5-3207X**			
	Ram 3500	5.9L; Auto Trans; 2-Piece Driveshaft	J	5,7,9	5-3207X**			
	Ram 3500	5.9L; Standard Trans; 2-Piece Driveshaft	J	5,7,9	5-3206X**			
	2007	Ram 3500	Cab & Chassis; 1-Piece Driveshaft	I	3,4	5-3208X**		
		Ram 3500	Crew Cab; Extended Crew Cab; Standard Cab; 1-Piece Driveshaft	I	3,4	5-3147X*	5-795X**	
Ram 3500		Crew Cab; Extended Crew Cab; Standard Cab; 1-Piece Driveshaft; w/ AAM 1415 Series	I	5,9	5-3207X**			
Ram 3500		Crew Cab; Extended Crew Cab; Standard Cab; 1-Piece Driveshaft; w/ Spicer Driveshaft	I	5,9	5-3206X**			
Ram 3500		Cab & Chassis; 2-Piece Driveshaft	J	3,4	5-3208X**			
Ram 3500		Crew Cab; Extended Crew Cab; Standard Cab; 2-Piece Driveshaft	J	3,4	5-3147X*	5-795X**		
Ram 3500		Crew Cab; Extended Crew Cab; Standard Cab; 2-Piece Driveshaft; w/ AAM 1415 Series	J	5,9	5-3207X**			
Ram 3500		Crew Cab; Extended Crew Cab; Standard Cab; 2-Piece Driveshaft; w/ Spicer Driveshaft	J	5,9	5-3206X**			
Ram 3500		Crew Cab; 2-Piece Driveshaft; w/ AAM 1415 Series	J	7	5-3207X**			
Ram 3500		Crew Cab; 2-Piece Driveshaft; w/ Spicer Driveshaft	J	7	5-3206X**			
2007-2008		Ram 3500	Cab & Chassis; 1-Piece Driveshaft	I	5,9	5-3230X**		
		Ram 3500	2-Piece Driveshaft	J	1	5006813**		
	Ram 3500	Cab & Chassis; 2-Piece Driveshaft	J	5,7,9	5-3230X**			
2008	Ram 3500	1-Piece Driveshaft; w/ Inside Snap Rings	I	2,3,4	5-3147X*	5-795X**		
	Ram 3500	1-Piece Driveshaft; w/ Outside Snap Rings	I	2,3,4	5-178X*	5-1350-1X* 5-1350X**	SPL30-1350XC**	
	Ram 3500	Crew Cab; Extended Crew Cab; Standard Cab; Diesel; 1-Piece Driveshaft; w/ Spicer Driveshaft	I	5,9	5-3206X**			

\* GREASEABLE \*\* NON-GREASEABLE



**Dodge (Cont'd)**

Year	Model	Description	Fig.	Location	Spicer Part #	SPL (Uncoated) Part #	SPL (Coated) Part #
2008	Ram 3500	Crew Cab; Extended Crew Cab; Standard Cab; Gas; 1-Piece Driveshaft; w/ AAM 1415 Series	I	5,9	5-3207X**		
	Ram 3500	2-Piece Driveshaft; w/ Inside Snap Rings	J	2,3,4	5-3147X*	5-795X**	
	Ram 3500	2-Piece Driveshaft; w/ Outside Snap Rings	J	2,3,4	5-178X*	5-1350-1X* 5-1350X**	SPL30-1350XC**
	Ram 3500	Crew Cab; Extended Crew Cab; Standard Cab; Diesel; 2-Piece Driveshaft; w/ Spicer Driveshaft	J	5,9	5-3206X**		
	Ram 3500	Crew Cab; Extended Crew Cab; Standard Cab; Gas; 2-Piece Driveshaft; w/ AAM 1415 Series	J	5,9	5-3207X**		
2009	Ram 3500	Laramie; Extended Crew Cab; 1-Piece Driveshaft; w/ Spicer Driveshaft	I	2,3,4	5-178X*	5-1350-1X* 5-1350X**	SPL30-1350XC**
	Ram 3500	SLT; SXT; Extended Crew Cab; Standard Cab; 1-Piece Driveshaft; w/ Spicer Driveshaft	I	2,3,4	5-178X*	5-1350-1X* 5-1350X**	SPL30-1350XC**
	Ram 3500	ST; Standard Cab; 1-Piece Driveshaft; w/ Spicer Driveshaft	I	2,3,4	5-178X*	5-1350-1X* 5-1350X**	SPL30-1350XC**
	Ram 3500	Laramie; Extended Crew Cab; 1-Piece Driveshaft; w/ Spicer Driveshaft	I	5	5-188X*	SPL55-1X* SPL55X**	
	Ram 3500	Laramie; SLT; ST; Crew Cab; 1-Piece Driveshaft; w/ AAM 1415 Series	I	5	5-3207X**		
	Ram 3500	SLT; SXT; Extended Crew Cab; Standard Cab; 1-Piece Driveshaft; w/ Spicer Driveshaft	I	5	5-188X*	SPL55-1X* SPL55X**	
	Ram 3500	ST; Standard Cab; 1-Piece Driveshaft; w/ Spicer Driveshaft	I	5	5-188X*	SPL55-1X* SPL55X**	
	Ram 3500	Laramie; SLT; Extended Crew Cab; 5.7L; 1-Piece Driveshaft	I	9	5-3206X**		
	Ram 3500	Laramie; SLT; Extended Crew Cab; Auto Trans; 6.7L; 1-Piece Driveshaft	I	9	5-188X*	SPL55-1X* SPL55X**	
	Ram 3500	Laramie; SLT; Extended Crew Cab; Standard Trans; 6.7L; 1-Piece Driveshaft; w/ AAM 1485 Series	I	9	5-3206X**		
	Ram 3500	SLT; ST; Standard Cab; 1-Piece Driveshaft; w/ Spicer Driveshaft	I	9	5-160X*	5-1410-1X* 5-1410X**	
	Ram 3500	2-Piece Driveshaft; w/ Spicer Driveshaft	J	1	5006813**		
	Ram 3500	Laramie; Extended Crew Cab; 2-Piece Driveshaft; w/ Spicer Driveshaft	J	2,3,4	5-178X*	5-1350-1X* 5-1350X**	SPL30-1350XC**
	Ram 3500	SLT; SXT; Extended Crew Cab; Standard Cab; 2-Piece Driveshaft; w/ Spicer Driveshaft	J	2,3,4	5-178X*	5-1350-1X* 5-1350X**	SPL30-1350XC**
	Ram 3500	ST; Standard Cab; 2-Piece Driveshaft; w/ Spicer Driveshaft	J	2,3,4	5-178X*	5-1350-1X* 5-1350X**	SPL30-1350XC**
	Ram 3500	Laramie; Extended Crew Cab; 2-Piece Driveshaft; w/ Spicer Driveshaft	J	5,7,9	5-160X*	5-1410-1X* 5-1410X**	
	Ram 3500	SLT; SXT; Extended Crew Cab; Standard Cab; 2-Piece Driveshaft; w/ Spicer Driveshaft	J	5,7,9	5-160X*	5-1410-1X* 5-1410X**	
	Ram 3500	ST; Standard Cab; 2-Piece Driveshaft; w/ Spicer Driveshaft	J	5,7,9	5-160X*	5-1410-1X* 5-1410X**	
2009-2010	Ram 3500	Laramie; SLT; ST; Crew Cab; 2-Piece Driveshaft; w/ AAM 1485 Series	J	5,7,9	5-3206X**		

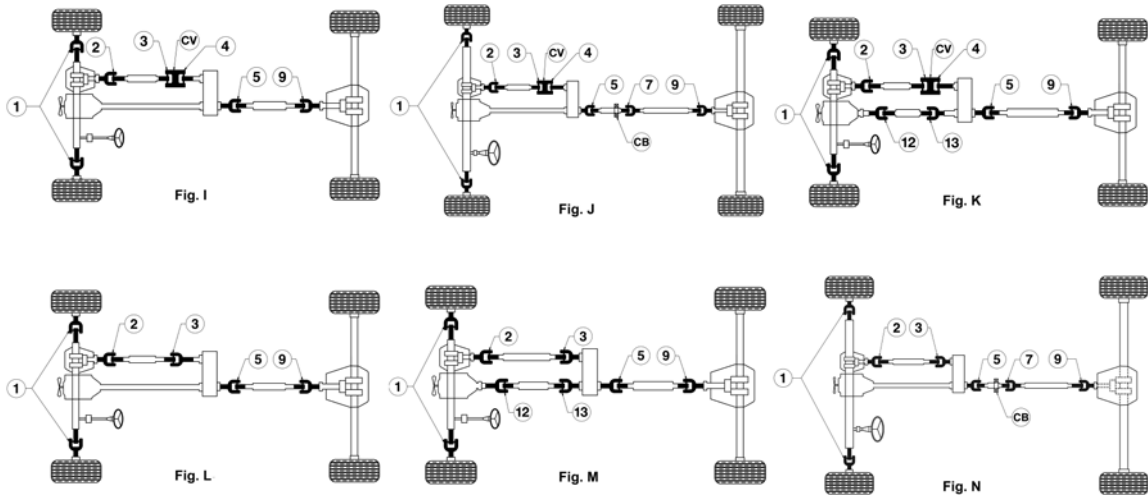
\* GREASEABLE \*\* NON-GREASEABLE

4  
W  
D

**Dodge (Cont'd)**

Year	Model	Description	Fig.	Location	Spicer Part #	SPL (Uncoated) Part #	SPL (Coated) Part #
2010	Ram 3500	1-Piece Driveshaft	I	1	5-3212X**		
	Ram 3500	Laramie; Extended Crew Cab; 1-Piece Driveshaft	I	2,3,4	5-178X*	5-1350-1X* 5-1350X**	SPL30-1350XC**
	Ram 3500	SLT; Extended Crew Cab; Standard Cab; 1-Piece Driveshaft	I	2,3,4	5-178X*	5-1350-1X* 5-1350X**	SPL30-1350XC**
	Ram 3500	ST; Standard Cab; 1-Piece Driveshaft	I	2,3,4	5-178X*	5-1350-1X* 5-1350X**	SPL30-1350XC**
	Ram 3500	Laramie; Extended Crew Cab; 1-Piece Driveshaft	I	5	5-160X*	5-1410-1X* 5-1410X**	
	Ram 3500	SLT; Extended Crew Cab; Standard Cab; 1-Piece Driveshaft	I	5	5-160X*	5-1410-1X* 5-1410X**	
	Ram 3500	ST; Standard Cab; 1-Piece Driveshaft	I	5	5-160X*	5-1410-1X* 5-1410X**	
	Ram 3500	Laramie; SLT; Extended Crew Cab; Auto Trans; 1-Piece Driveshaft	I	9	5-188X*	SPL55-1X* SPL55X**	
	Ram 3500	Laramie; SLT; Extended Crew Cab; Standard Trans; 1-Piece Driveshaft; w/ AAM 1485 Series	I	9	5-3206X**		
	Ram 3500	Laramie; SLT; ST; Crew Cab; 1-Piece Driveshaft; w/ AAM 1415 Series	I	9	5-3207X**		
	Ram 3500	SLT; ST; Standard Cab; 1-Piece Driveshaft	I	9	5-160X*	5-1410-1X* 5-1410X**	
	Ram 3500	Laramie; SLT; ST; 2-Piece Driveshaft	J	2,3,4	5-178X*	5-1350-1X* 5-1350X**	SPL30-1350XC**
	Ram 3500	Laramie; Extended Crew Cab; 2-Piece Driveshaft	J	5,7,9	5-160X*	5-1410-1X* 5-1410X**	
	Ram 3500	SLT; Extended Crew Cab; Standard Cab; 2-Piece Driveshaft	J	5,7,9	5-160X*	5-1410-1X* 5-1410X**	
	Ram 3500	ST; Standard Cab; 2-Piece Driveshaft	J	5,7,9	5-160X*	5-1410-1X* 5-1410X**	
2008-2010	Ram 4500	Exc. Base; 1-Piece Driveshaft	I	1	5-3212X**		
	Ram 4500	Exc. Base; 1-Piece Driveshaft	I	2,3,4	5-3208X**		
	Ram 4500	Exc. Base; 1-Piece Driveshaft	I	5,9	5-3230X**		
	Ram 4500	Exc. Base; 2-Piece Driveshaft	J	2,3,4	5-3208X**		
	Ram 4500	Exc. Base; 2-Piece Driveshaft	J	5,7,9	5-3230X**		
1987-1989	Ram 50		L	2,3	5-1503X*		
	Ram 50		L	5,9	5-3217X*		
1990-1993	Ram 50		N	2,3	5-1503X*		
	Ram 50		N	5,7,9	5-3243X*		
2008-2010	Ram 5500	Exc. Base; 1-Piece Driveshaft	I	1	5-3212X**		
	Ram 5500	Exc. Base; 1-Piece Driveshaft	I	2,3,4	5-3208X**		
	Ram 5500	Exc. Base; 1-Piece Driveshaft	I	5,9	5-3230X**		
	Ram 5500	Exc. Base; 2-Piece Driveshaft	J	2,3,4	5-3208X**		
	Ram 5500	Exc. Base; 2-Piece Driveshaft	J	5,7,9	5-3230X**		
1974-1977	Ramcharger	w/ Inside Snap Rings	I	2	5-3228X*	5-789X**	
	Ramcharger	w/ Outside Snap Rings	I	2,3,4	5-153X*	5-1310-1X* 5-1310X**	
	Ramcharger	w/ Inside Snap Rings	I	3,4	5-3147X*	5-795X**	
	Ramcharger		I	5,9	5-3228X*	5-789X**	
	Ramcharger	w/ Inside Snap Rings	I	CV	211009X		
1974-1993	Ramcharger		I	1	5-3226X*	5-760X**	5-760XC**
1978-1981	Ramcharger		I	2	5-3228X*	5-789X**	
	Ramcharger		I	3,4	5-3147X*	5-795X**	
1978-1993	Ramcharger		I	5	5-3228X*	5-789X**	
	Ramcharger		I	9	5-1309X*	5-811X**	
	Ramcharger		I	CV	211009X		
1982-1993	Ramcharger	1.078" Bearing Cup Dia.	I	2,5,9	5-3228X*	5-789X**	
	Ramcharger	1.126" Bearing Cup Dia.	I	2,5,9	5-1309X*	5-811X**	
	Ramcharger		I	3,4	5-3228X*	5-789X**	
1975-1977	W100		K	1	5-3226X*	5-760X**	5-760XC**
	W100	w/ Inside Snap Rings	K	2	5-3228X*	5-789X**	

\* GREASEABLE \*\* NON-GREASEABLE



**Dodge (Cont'd)**

Year	Model	Description	Fig.	Location	Spicer Part #	SPL (Uncoated) Part #	SPL (Coated) Part #
1975-1977	W100	w/ Outside Snap Rings	K	2,3,4	5-153X*	5-1310-1X* 5-1310X**	
	W100	w/ Inside Snap Rings	K	3,4	5-3147X*	5-795X**	
	W100		K	5,12,13	5-3228X*	5-789X**	
	W100		K	9	5-1309X*	5-811X**	
	W100	w/ Inside Snap Rings	K	CV	211009X		
1984-1989	W100	1-Piece Driveshaft	I	1	5-3226X*	5-760X**	5-760XC**
	W100	1-Piece Driveshaft	I	2	5-3228X*	5-789X**	
	W100	1-Piece Driveshaft	I	3,4	5-3147X*	5-795X**	
	W100	1-Piece Driveshaft	I	5,9	5-3228X*	5-789X**	
	W100	2-Piece Driveshaft	J	1	5-3226X*	5-760X**	5-760XC**
	W100	2-Piece Driveshaft	J	2	5-3228X*	5-789X**	
	W100	2-Piece Driveshaft	J	3,4	5-3147X*	5-795X**	
	W100	2-Piece Driveshaft	J	5,7,9	5-3228X*	5-789X**	
1986-1988	W100	1 Piece Driveshaft	I	CV	211009X		
	W100	2 Piece Driveshaft	J	CV	211009X		
1989	W100	1 Piece Driveshaft; w/ 7290 Series; 1.126" Cup Dia.	I	CV	211009X		
	W100	2 Piece Driveshaft; w/ 7290 Series; 1.126" Cup Dia.	J	CV	211009X		
1957-1959	W100 Pickup		M	2,3,5,9,12,13	5-1200X*		
1968-1970	W100 Pickup	w/ Inside Snap Rings	L	1	5-260X**		
	W100 Pickup	w/ Outside Snap Rings	L	1	5-178X*	5-1350-1X* 5-1350X**	SPL30-1350XC**
1968-1974	W100 Pickup		L	2,3,5,9	5-3228X*	5-789X**	
1971	W100 Pickup		L	1	5-260X**		
1972	W100 Pickup	1.062" Bearing Cup Dia.	L	1	5-260X**		
	W100 Pickup	1.188" Bearing Cup Dia.	L	1	5-3226X*	5-760X**	5-760XC**
1973-1974	W100 Pickup		L	1	5-3226X*	5-760X**	5-760XC**
1960	W100 Series		M	2,3,5,9,12,13	5-1200X*		
1961-1967	W100 Series	w/ Inside Snap Rings	L	1	5-260X**		
	W100 Series	w/ Outside Snap Rings	L	1	5-178X*	5-1350-1X* 5-1350X**	SPL30-1350XC**
	W100 Series		L	2,3,5,9	5-3228X*	5-789X**	
1977	W150		K	1	5-3226X*	5-760X**	5-760XC**
	W150	w/ Inside Snap Rings	K	2	5-3228X*	5-789X**	
	W150	w/ Outside Snap Rings	K	2,3,4	5-153X*	5-1310-1X* 5-1310X**	
	W150	w/ Inside Snap Rings	K	3,4	5-3147X*	5-795X**	

\* GREASEABLE \*\* NON-GREASEABLE

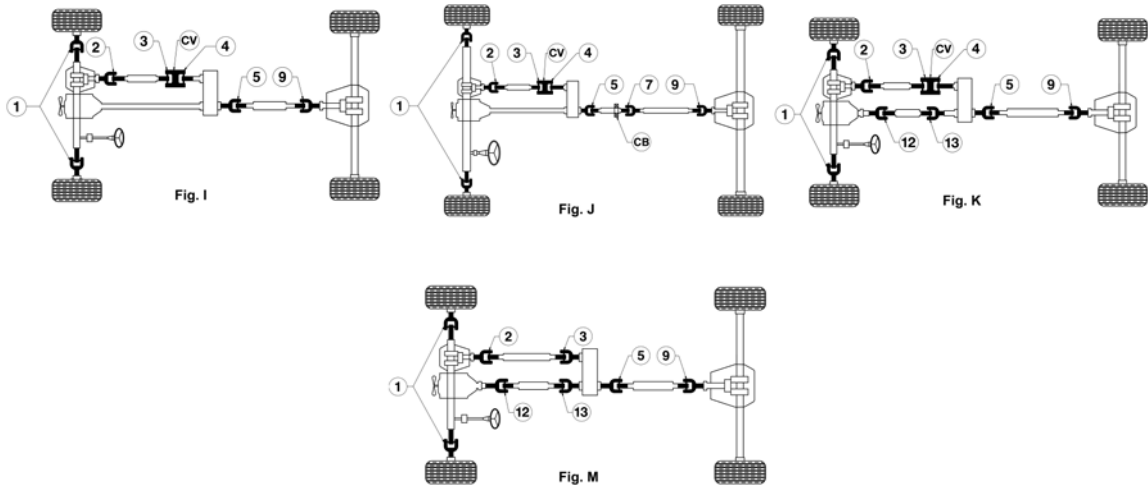
4  
W  
D

**Dodge (Cont'd)**

Year	Model	Description	Fig.	Location	Spicer Part #	SPL (Uncoated) Part #	SPL (Coated) Part #
1977	W150		K	5,12,13	5-3228X*	5-789X**	
	W150		K	9	5-1309X*	5-811X**	
	W150	w/ Inside Snap Rings	K	CV	211009X		
1978-1981	W150	1-Piece Driveshaft	I	5	5-3228X*	5-789X**	
	W150	1-Piece Driveshaft; 1.078" Bearing Cup Dia.	I	9	5-3228X*	5-789X**	
	W150	1-Piece Driveshaft; 1.126" Bearing Cup Dia.	I	9	5-1309X*	5-811X**	
	W150	2-Piece Driveshaft	J	5	5-3228X*	5-789X**	
	W150	2-Piece Driveshaft; 1.078" Bearing Cup Dia.	J	7,9	5-3228X*	5-789X**	
	W150	2-Piece Driveshaft; 1.126" Bearing Cup Dia.	J	7,9	5-1309X*	5-811X**	
	W150	2 Piece Driveshaft	J	CV	211009X		
1978-1988	W150	1-Piece Driveshaft	I	2	5-3228X*	5-789X**	
	W150	1 Piece Driveshaft	I	CV	211009X		
	W150	2-Piece Driveshaft	J	2	5-3228X*	5-789X**	
	W150	2 Piece Driveshaft	J	CV	211009X		
1978-1993	W150	1-Piece Driveshaft	I	1	5-3226X*	5-760X**	5-760XC**
	W150	1-Piece Driveshaft	I	3,4	5-3147X*	5-795X**	
	W150	2-Piece Driveshaft	J	1	5-3226X*	5-760X**	5-760XC**
	W150	2-Piece Driveshaft	J	3,4	5-3147X*	5-795X**	
1982-1988	W150	1-Piece Driveshaft	I	5,9	5-3228X*	5-789X**	
	W150	2-Piece Driveshaft	J	5,7,9	5-3228X*	5-789X**	
1989-1993	W150	1-Piece Driveshaft; 1.078" Bearing Cup Dia.	I	2,5,9	5-3228X*	5-789X**	
	W150	1-Piece Driveshaft; 1.126" Bearing Cup Dia.	I	2,5,9	5-1309X*	5-811X**	
	W150	1-Piece Driveshaft; 1.118" Bearing Cup Dia.	I	5,9	5-160X*	5-1410-1X* 5-1410X**	
4WD	W150	1 Piece Driveshaft; w/ 7290 Series; 1.126" Cup Dia.	I	CV	211009X		
	W150	2-Piece Driveshaft; 1.078" Bearing Cup Dia.	J	2,5,7,9	5-3228X*	5-789X**	
	W150	2-Piece Driveshaft; 1.126" Bearing Cup Dia.	J	2,5,7,9	5-1309X*	5-811X**	
	W150	2-Piece Driveshaft; 1.118" Bearing Cup Dia.	J	5,7,9	5-160X*	5-1410-1X* 5-1410X**	
	W150	2 Piece Driveshaft; w/ 7290 Series; 1.126" Cup Dia.	J	CV	211009X		
	W150	2-Piece Driveshaft; 1.078" Bearing Cup Dia.	J	2,5,7,9	5-3228X*	5-789X**	
	W150	2-Piece Driveshaft; 1.126" Bearing Cup Dia.	J	2,5,7,9	5-1309X*	5-811X**	
1975-1977	W200	1-Piece Driveshaft; w/ Inside Snap Rings	I	2	5-3228X*	5-789X**	
	W200	1-Piece Driveshaft; w/ Outside Snap Rings	I	2,3,4	5-153X*	5-1310-1X* 5-1310X**	
	W200	1-Piece Driveshaft; w/ Inside Snap Rings	I	3,4	5-3147X*	5-795X**	
	W200	1 Piece Driveshaft; w/ Inside Snap Rings	I	CV	211009X		
1975-1980	W200	1-Piece Driveshaft; 1.062" Bearing Cup Dia.	I	1	5-3226X*	5-760X**	5-760XC**
	W200	1-Piece Driveshaft; 1.375" Bearing Cup Dia.	I	1		SPL55-3X** SPL55-4X*	SPL55-1480XC**
	W200	1-Piece Driveshaft	I	5	5-3228X*	5-789X**	
	W200	1-Piece Driveshaft; 1.078" Bearing Cup Dia.	I	9	5-3228X*	5-789X**	
	W200	2-Piece Driveshaft; 1.062" Bearing Cup Dia.	J	1	5-3226X*	5-760X**	5-760XC**
	W200	2-Piece Driveshaft; 1.375" Bearing Cup Dia.	J	1		SPL55-3X** SPL55-4X*	SPL55-1480XC**
	W200	2-Piece Driveshaft	J	CV	211009X		
1978-1980	W200	1-Piece Driveshaft	I	2	5-3228X*	5-789X**	
	W200	1-Piece Driveshaft	I	3,4	5-3147X*	5-795X**	
	W200	1-Piece Driveshaft; 1.126" Bearing Cup Dia.	I	9	5-1309X*	5-811X**	
	W200	1 Piece Driveshaft	I	CV	211009X		
	W200	2-Piece Driveshaft	J	2	5-3228X*	5-789X**	
	W200	2-Piece Driveshaft	J	3,4	5-3147X*	5-795X**	
	W200	2-Piece Driveshaft	J	5	5-3228X*	5-789X**	
	W200	2-Piece Driveshaft; 1.078" Bearing Cup Dia.	J	7,9	5-3228X*	5-789X**	
	W200	2-Piece Driveshaft; 1.126" Bearing Cup Dia.	J	7,9	5-1309X*	5-811X**	
	W200	2 Piece Driveshaft	J	CV	211009X		
1958-1959	W200 Pickup		M	1,2,3,5,9,12,13	5-153X*	5-1310-1X* 5-1310X**	
1968-1971	W200 Pickup	w/ Inside Snap Rings	M	1	5-260X**		
	W200 Pickup	w/ Outside Snap Rings	M	1	5-178X*	5-1350-1X* 5-1350X**	SPL30-1350XC**
1968-1974	W200 Pickup		M	2,3,5,9,12,13	5-3228X*	5-789X**	

\* GREASEABLE \*\* NON-GREASEABLE





**Dodge (Cont'd)**

Year	Model	Description	Fig.	Location	Spicer Part #	SPL (Uncoated) Part #	SPL (Coated) Part #
1972	W200 Pickup	1.062" Bearing Cup Dia.	M	1	5-260X**		
	W200 Pickup	1.188" Bearing Cup Dia.	M	1	5-3226X*	5-760X**	5-760XC**
1973-1974	W200 Pickup		M	1	5-3226X*	5-760X**	5-760XC**
1960	W200 Series		M	1,2,3,5,9,12,13	5-153X*	5-1310-1X* 5-1310X**	
1961-1967	W200 Series	w/ Inside Snap Rings	M	1	5-260X**		
	W200 Series	w/ Outside Snap Rings	M	1	5-178X*	5-1350-1X* 5-1350X**	SPL30-1350XC**
1981	W250	1-Piece Driveshaft; 1.062" Bearing Cup Dia.	I	1	5-3226X*	5-760X**	5-760XC**
	W250	1-Piece Driveshaft; 1.375" Bearing Cup Dia.	I	1		SPL55-3X** SPL55-4X*	SPL55-1480XC**
	W250	1-Piece Driveshaft	I	5	5-3228X*	5-789X**	
	W250	1-Piece Driveshaft; 1.078" Bearing Cup Dia.	I	9	5-3228X*	5-789X**	
	W250	1-Piece Driveshaft; 1.126" Bearing Cup Dia.	I	9	5-1309X*	5-811X**	
	W250	1 Piece Driveshaft	I	CV	211009X		
	W250	2-Piece Driveshaft; 1.062" Bearing Cup Dia.	J	1	5-3226X*	5-760X**	5-760XC**
	W250	2-Piece Driveshaft; 1.375" Bearing Cup Dia.	J	1		SPL55-3X** SPL55-4X*	SPL55-1480XC**
	W250	2-Piece Driveshaft	J	2	5-3228X*	5-789X**	
	W250	2-Piece Driveshaft	J	3,4	5-3147X*	5-795X**	
	W250	2-Piece Driveshaft	J	5	5-3228X*	5-789X**	
1982-1985	W250	2-Piece Driveshaft; 1.078" Bearing Cup Dia.	J	7,9	5-3228X*	5-789X**	
	W250	2-Piece Driveshaft; 1.126" Bearing Cup Dia.	J	7,9	5-1309X*	5-811X**	
	W250	2 Piece Driveshaft	J	CV	211009X		
	W250		I	1	5-3226X*	5-760X**	5-760XC**
	W250		I	2	5-3228X*	5-789X**	
	W250		I	3,4	5-3147X*	5-795X**	
	W250		I	5,9	5-3228X*	5-789X**	
1982-1988	W250		I	CV	211009X		
1986-1988	W250	1-Piece Driveshaft	I	2	5-3228X*	5-789X**	
	W250	1-Piece Driveshaft	I	3,4	5-3147X*	5-795X**	
	W250	1-Piece Driveshaft	I	5,9	5-3228X*	5-789X**	
1986-1993	W250	1-Piece Driveshaft; Dana Model 44 Axle	I	1	5-3226X*	5-760X**	5-760XC**
	W250	1-Piece Driveshaft; Dana Model 60 Axle	I	1		SPL55-3X** SPL55-4X*	SPL55-1480XC**
	W250	2-Piece Driveshaft; Dana Model 44 Axle	J	1	5-3226X*	5-760X**	5-760XC**
	W250	2-Piece Driveshaft; Dana Model 60 Axle	J	1		SPL55-3X** SPL55-4X*	SPL55-1480XC**

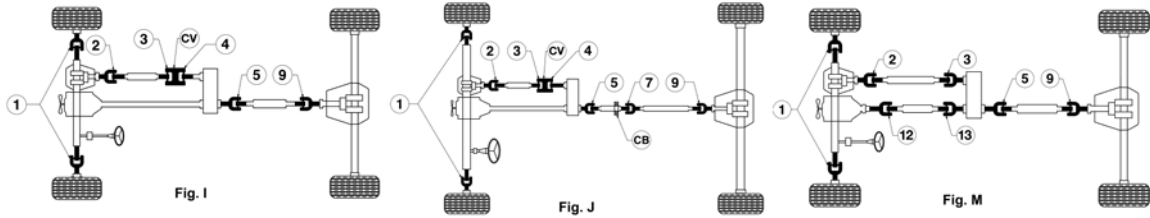
\* GREASEABLE \*\* NON-GREASEABLE

4  
W  
D

**Dodge (Cont'd)**

Year	Model	Description	Fig.	Location	Spicer Part #	SPL (Uncoated) Part #	SPL (Coated) Part #
1989-1993	W250	1-Piece Driveshaft; 1.078" Bearing Cup Dia.; w/ 7260 Series	I	2	5-3228X*	5-789X**	
	W250	1-Piece Driveshaft; 1.126" Bearing Cup Dia.; w/7290 Series	I	2	5-1309X*	5-811X**	
	W250	1-Piece Driveshaft; 1.126" Bearing Cup Dia.; w/7290 Series	I	3,4	5-3147X*	5-795X**	
	W250	Diesel; 1-Piece Driveshaft; 1.188" Bearing Cup Dia.	I	5,9	5-160X*	5-1410-1X* 5-1410X**	
	W250	Gas; 1-Piece Driveshaft; 1.078" Bearing Cup Dia.; w/ 7260 Series	I	5,9	5-3228X*	5-789X**	
	W250	Gas; 1-Piece Driveshaft; 1.126" Bearing Cup Dia.; w/7290 Series	I	5,9	5-1309X*	5-811X**	
	W250	1 Piece Driveshaft; w/ 7290 Series; 1.126" Cup Dia.	I	CV	211009X		
	W250	2-Piece Driveshaft; 1.078" Bearing Cup Dia.; w/ 7260 Series	J	2	5-3228X*	5-789X**	
	W250	2-Piece Driveshaft; 1.126" Bearing Cup Dia.; w/7290 Series	J	2	5-1309X*	5-811X**	
	W250	2-Piece Driveshaft; 1.126" Bearing Cup Dia.; w/7290 Series	J	3,4	5-3147X*	5-795X**	
	W250	Diesel; 2-Piece Driveshaft; 1.188" Bearing Cup Dia.	J	5,7,9	5-160X*	5-1410-1X* 5-1410X**	
	W250	Gas; 2-Piece Driveshaft; 1.078" Bearing Cup Dia.; w/ 7260 Series	J	5,7,9	5-3228X*	5-789X**	
	W250	Gas; 2-Piece Driveshaft; 1.126" Bearing Cup Dia.; w/7290 Series	J	5,7,9	5-1309X*	5-811X**	
	W250	2 Piece Driveshaft; w/ 7290 Series; 1.126" Cup Dia.	J	CV	211009X		
	1975-1977	W300	1-Piece Driveshaft	I	2	5-153X*	5-1310-1X* 5-1310X**
W300		1-Piece Driveshaft; w/ Inside Snap Rings	I	3,4	5-3147X*	5-795X**	
W300		1-Piece Driveshaft; w/ Outside Snap Rings	I	3,4	5-153X*	5-1310-1X* 5-1310X**	
W300		1-Piece Driveshaft; w/ 72600 Series	I	5,9	5-3228X*	5-789X**	
W300		1-Piece Driveshaft; w/ 7290 Series	I	5,9	5-1309X*	5-811X**	
W300		1 Piece Driveshaft; w/ Inside Snap Rings	I	CV	211009X		
W300		2-Piece Driveshaft	J	2	5-153X*	5-1310-1X* 5-1310X**	
W300		2-Piece Driveshaft; w/ Inside Snap Rings	J	3,4	5-3147X*	5-795X**	
W300		2-Piece Driveshaft; w/ Outside Snap Rings	J	3,4	5-153X*	5-1310-1X* 5-1310X**	
W300		2-Piece Driveshaft; w/ 72600 Series	J	5,7	5-3228X*	5-789X**	
W300		2-Piece Driveshaft; w/ 7290 Series	J	5,7	5-1309X*	5-811X**	
W300		2-Piece Driveshaft	J	9	5-1309X*	5-811X**	
W300		2 Piece Driveshaft; w/ Inside Snap Rings	J	CV	211009X		
1975-1980	W300	1-Piece Driveshaft; Dana Model 60 Axle	I	1		SPL55-3X** SPL55-4X*	SPL55-1480XC**
	W300	2-Piece Driveshaft; Dana Model 60 Axle	J	1		SPL55-3X** SPL55-4X*	SPL55-1480XC**
1978-1980	W300	1-Piece Driveshaft	I	2	5-3228X*	5-789X**	
	W300	1-Piece Driveshaft	I	3,4	5-3147X*	5-795X**	
	W300	1-Piece Driveshaft	I	5	5-3228X*	5-789X**	
	W300	1-Piece Driveshaft; 1.078" Bearing Cup Dia.	I	9	5-3228X*	5-789X**	
	W300	1-Piece Driveshaft; 1.126" Bearing Cup Dia.	I	9	5-1309X*	5-811X**	
	W300	1 Piece Driveshaft	I	CV	211009X		
	W300	2-Piece Driveshaft	J	2	5-3228X*	5-789X**	
	W300	2-Piece Driveshaft	J	3,4	5-3147X*	5-795X**	
	W300	2-Piece Driveshaft	J	5	5-3228X*	5-789X**	
	W300	2-Piece Driveshaft; 1.078" Bearing Cup Dia.	J	7	5-1309X*	5-811X**	
	W300	2-Piece Driveshaft; 1.126" Bearing Cup Dia.	J	7	5-3228X*	5-789X**	
	W300	2-Piece Driveshaft; 1.078" Bearing Cup Dia.	J	9	5-3228X*	5-789X**	
	W300	2-Piece Driveshaft; 1.126" Bearing Cup Dia.	J	9	5-1309X*	5-811X**	

\* GREASEABLE \*\* NON-GREASEABLE



**Dodge (Cont'd)**

Year	Model	Description	Fig.	Location	Spicer Part #	SPL (Uncoated) Part #	SPL (Coated) Part #
1978-1980	W300	2-Piece Driveshaft; 1.231" Bearing Cup Dia.	J	9	5-1301X*		
	W300	2 Piece Driveshaft	J	CV	211009X		
1957	W300 Pickup		M	2,3,5,9	5-3251X*		
1958-1959	W300 Pickup		M	2,3,5,12,13	5-3250X*		
1968-1972	W300 Pickup	w/ 3.000" O.D. Yoke	M	12	5-1301X*		
	W300 Pickup	w/ 2.000" O.D. Yoke	M	12,13	5-1301X*		
	W300 Pickup	w/ 3.000" O.D. Yoke	M	13	5-3251X*		
	W300 Pickup	w/ 2.000" O.D. Yoke	M	2,3	5-3251X*		
	W300 Pickup	w/ 3.000" O.D. Yoke	M	2,3	5-1301X*		
	W300 Pickup	w/ 2.000" O.D. Yoke	M	5,9	5-1301X*		
	W300 Pickup	w/ 3.000" O.D. Yoke	M	5,9	5-3251X*		
1973-1974	W300 Pickup	Dana Model 44 Axle	M	1	5-3226X*	5-760X**	5-760XC**
	W300 Pickup	Dana Model 60 Axle	M	1		SPL55-3X** SPL55-4X*	SPL55-1480XC**
	W300 Pickup		M	2,3,5,9,12,13	5-1301X*		
1960-1967	W300 Series	w/ 3.000" O.D. Yoke	M	12	5-1301X*		
	W300 Series	w/ 2.000" O.D. Yoke	M	12,13	5-1301X*		
	W300 Series	w/ 3.000" O.D. Yoke	M	13	5-3251X*		
	W300 Series	w/ 2.000" O.D. Yoke	M	2,3	5-3251X*		
	W300 Series	w/ 3.000" O.D. Yoke	M	2,3	5-1301X*		
	W300 Series	w/ 2.000" O.D. Yoke	M	5,9	5-1301X*		
1981	W350	1-Piece Driveshaft; 1.126" Bearing Cup Dia.	I	9	5-1309X*	5-811X**	
	W350	2-Piece Driveshaft	J	5	5-3228X*	5-789X**	
	W350	2-Piece Driveshaft; 1.078" Bearing Cup Dia.	J	7	5-1309X*	5-811X**	
	W350	2-Piece Driveshaft; 1.126" Bearing Cup Dia.	J	7	5-3228X*	5-789X**	
	W350	2-Piece Driveshaft; 1.078" Bearing Cup Dia.	J	9	5-3228X*	5-789X**	
	W350	2-Piece Driveshaft; 1.126" Bearing Cup Dia.	J	9	5-1309X*	5-811X**	
	W350	2-Piece Driveshaft; 1.231" Bearing Cup Dia.	J	9	5-1301X*		
1981-1988	W350	1-Piece Driveshaft	I	2	5-3228X*	5-789X**	
	W350	1-Piece Driveshaft	I	3,4	5-3147X*	5-795X**	
	W350	1-Piece Driveshaft	I	5	5-3228X*	5-789X**	
	W350	1-Piece Driveshaft; 1.078" Bearing Cup Dia.	I	9	5-3228X*	5-789X**	
	W350	2-Piece Driveshaft	J	2	5-3228X*	5-789X**	
	W350	2-Piece Driveshaft	J	3,4	5-3147X*	5-795X**	
1981-1993	W350	1-Piece Driveshaft; Dana Model 60 Axle	I	1		SPL55-3X** SPL55-4X*	SPL55-1480XC**
	W350	1 Piece Driveshaft	I	CV	211009X		
	W350	2-Piece Driveshaft; Dana Model 60 Axle	J	1		SPL55-3X** SPL55-4X*	SPL55-1480XC**
	W350	2 Piece Driveshaft	J	CV	211009X		
1982-1986	W350	2-Piece Driveshaft	J	5,7,9	5-3228X*	5-789X**	
1982-1988	W350	1-Piece Driveshaft; 1.231" Bearing Cup Dia.	I	9	5-1301X*		
1989-1993	W350	1-Piece Driveshaft; 1.078" Bearing Cup Dia.; w/ 7260 Series	I	2	5-3228X*	5-789X**	
	W350	1-Piece Driveshaft; 1.126" Bearing Cup Dia.; w/7290 Series	I	2	5-1309X*	5-811X**	
	W350	1-Piece Driveshaft; 1.126" Bearing Cup Dia.; w/7290 Series	I	3,4	5-3147X*	5-795X**	

\* GREASEABLE \*\* NON-GREASEABLE

4  
W  
D

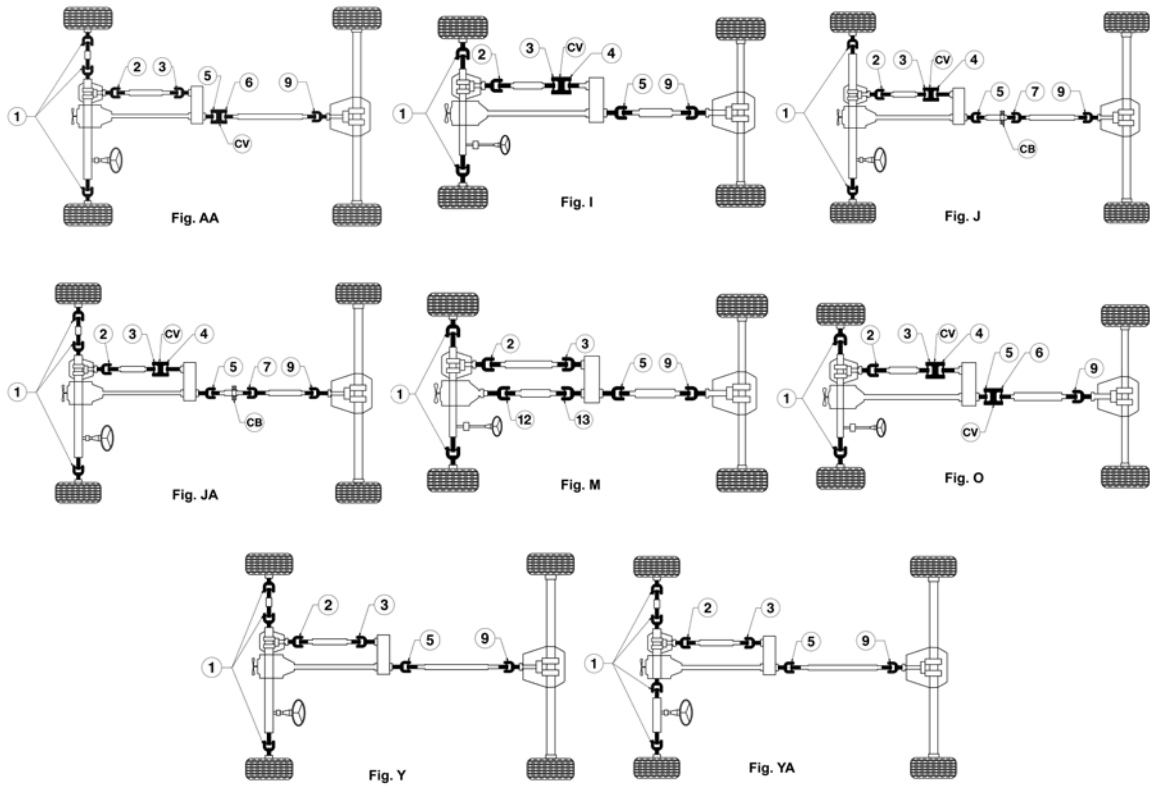
**Dodge (Cont'd)**

Year	Model	Description	Fig.	Location	Spicer Part #	SPL (Uncoated) Part #	SPL (Coated) Part #
1989-1993	W350	Diesel; 1-Piece Driveshaft; 1.188" Bearing Cup Dia.	I	5,9	5-160X*	5-1410-1X* 5-1410X**	
	W350	Gas; 1-Piece Driveshaft; 1.078" Bearing Cup Dia.; w/ 7260 Series	I	5,9	5-3228X*	5-789X**	
	W350	Gas; 1-Piece Driveshaft; 1.126" Bearing Cup Dia.; w/7290 Series	I	5,9	5-1309X*	5-811X**	
	W350	2-Piece Driveshaft; 1.078" Bearing Cup Dia.; w/ 7260 Series	J	2	5-3228X*	5-789X**	
	W350	2-Piece Driveshaft; 1.126" Bearing Cup Dia.; w/7290 Series	J	2	5-1309X*	5-811X**	
	W350	2-Piece Driveshaft; 1.126" Bearing Cup Dia.; w/7290 Series	J	3,4	5-3147X*	5-795X**	
	W350	Diesel; 2-Piece Driveshaft; 1.188" Bearing Cup Dia.	J	5,7,9	5-160X*	5-1410-1X* 5-1410X**	
	W350	Gas; 2-Piece Driveshaft; 1.078" Bearing Cup Dia.; w/ 7260 Series	J	5,7,9	5-3228X*	5-789X**	
	W350	Gas; 2-Piece Driveshaft; 1.126" Bearing Cup Dia.; w/7290 Series	J	5,7,9	5-1309X*	5-811X**	
1960-1962	Wm300 Power Wagon		M	12,13	5-1301X*		
	Wm300 Power Wagon		M	2,3,5,9	5-3251X*		
1963-1966	Wm300 Power Wagon		M	2,3,5,9,12,13	5-3251X*		

**Ford**

Year	Model	Description	Fig.	Location	Spicer Part #	SPL (Uncoated) Part #	SPL (Coated) Part #
1990-1997	Aerostar		YA	1,2,3	5-443X*		
	Aerostar		YA	5,9	5-153X*	5-1310-1X* 5-1310X**	
1970	Bronco	From Serial # G70,001	0	1	5-260X**		
	Bronco	To Serial # G70,001	0	1	5-260X**		
	Bronco	From Serial # G70,001	0	2,3,4,5,6,9	5-153X*	5-1310-1X* 5-1310X**	
1971-1977	Bronco		0	1	5-260X**		
	Bronco		0	2,3,4,5,6,9	5-153X*	5-1310-1X* 5-1310X**	
1978	Bronco	w/ 3.469" O.D. Yoke	J	2,9	5-153X*	5-1310-1X* 5-1310X**	
	Bronco	w/ 3.870" O.D. Yoke	J	2,9	5-213X*	5-1330-1X* 5-1330X**	
1978-1979	Bronco		J	1	5-3226X*	5-760X**	5-760XC**
	Bronco		J	3,4,5,7	5-213X*	5-1330-1X* 5-1330X**	
1979	Bronco	1.062" & 1.125" Bearing Cup Dia.	J	2	5-1204X*	5-7438X**	
	Bronco	1.062" Bearing Cup Dia.	J	2	5-213X*	5-1330-1X* 5-1330X**	
	Bronco		J	9	5-1204X*	5-7438X**	
1980-1981	Bronco	From Serial # GJO,001	AA	2	5-1204X*	5-7438X**	
	Bronco	To Serial # GJO,001	AA	2	5-1203X*		
	Bronco		AA	3	5-1204X*	5-7438X**	
	Bronco		AA	5,6	5-1203X*		
1982-1986	Bronco	2-Piece Driveshaft	AA	1	5-3226X*	5-760X**	5-760XC**
	Bronco	2-Piece Driveshaft	AA	2,3	5-1204X*	5-7438X**	
	Bronco	2-Piece Driveshaft	AA	5,6	5-1203X*		
	Bronco	2-Piece Driveshaft	AA	9	5-1204X*	5-7438X**	
	Bronco	1-Piece Driveshaft	Y	1	5-3226X*	5-760X**	5-760XC**
	Bronco	1-Piece Driveshaft	Y	2,3	5-1204X*	5-7438X**	
	Bronco	1-Piece Driveshaft	Y	5	5-1203X*		
	Bronco	1-Piece Driveshaft	Y	9	5-1204X*	5-7438X**	
1987	Bronco		AA	2	5-1204X*	5-7438X**	
	Bronco		AA	3	5-213X*	5-1330-1X* 5-1330X**	

\* GREASEABLE \*\* NON-GREASEABLE



4  
W  
D

**Ford (Cont'd)**

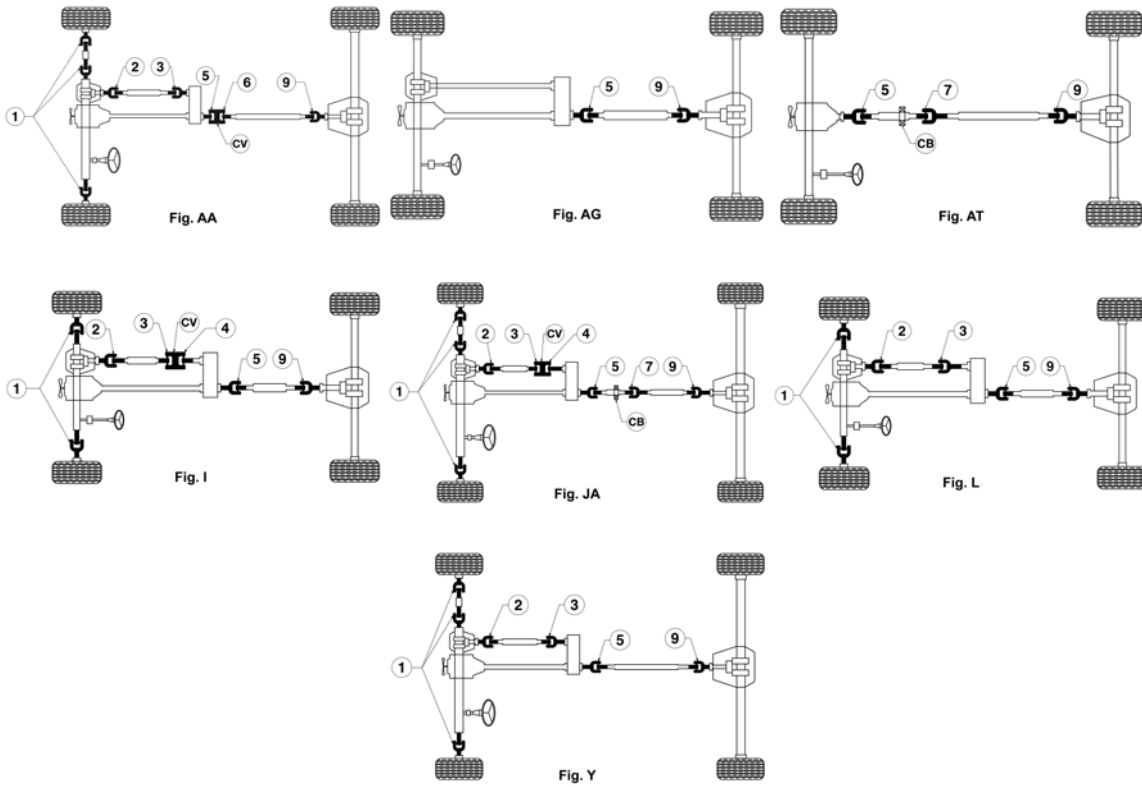
Year	Model	Description	Fig.	Location	Spicer Part #	SPL (Uncoated) Part #	SPL (Coated) Part #	
1987	Bronco	Front CV; w/ Cleveland Steel & Outside Snap Rings	AA	5	5-1203X*			
	Bronco	Front CV; w/ Koyo Sieko & Inside Snap Rings	AA	5	5-212X*	5-793X**		
	Bronco	Rear CV; w/ Cleveland Steel & Outside Snap Rings	AA	6	5-1203X*			
	Bronco	Rear CV; w/ Koyo Sieko & Inside Snap Rings	AA	6	5-3147X*	5-795X**		
	Bronco		AA	9	5-1204X*	5-7438X**		
1987-1996	Bronco		AA	1	5-3226X*	5-760X**	5-760XC**	
1988	Bronco		AA	2,3,9	5-1204X*	5-7438X**		
	Bronco	3-Speed; 4-Speed	AA	5,6	5-1203X*			
	Bronco	5-Speed	AA	5,6	5-1204X*	5-7438X**		
1989	Bronco	3-Speed; 4-Speed	AA	2,3	5-1204X*	5-7438X**		
	Bronco	From 2/89	AA	5,6,9	5-213X*	5-1330-1X* 5-1330X**		
	Bronco	5-Speed	JA	2	5-1204X*	5-7438X**		
	Bronco	5-Speed; Front CV	JA	3	5-3147X*	5-795X**		
	Bronco	5-Speed; Rear CV	JA	4	5-212X*	5-793X**		
	Bronco	3-Speed; 4-Speed; To 1/89	JA	5	5-213X*	5-1330-1X* 5-1330X**		
	Bronco	5-Speed; To 1/89	JA	5,7	5-1204X*	5-7438X**		
	Bronco	To 1/89	JA	9	5-1204X*	5-7438X**		
	1990-1996	Bronco		AA	2,3	5-1204X*	5-7438X**	
	1991	Bronco	4.9L; 5.8L	AA	5,6,9	5-213X*	5-1330-1X* 5-1330X**	
Bronco		5.0L; Auto; 4-Speed	AA	5,6,9	5-153X*	5-1310-1X* 5-1310X**		
Bronco		5.0L; Standard; 4-Speed	AA	5,6,9	5-213X*	5-1330-1X* 5-1330X**		

\* GREASEABLE \*\* NON-GREASEABLE

**Ford (Cont'd)**

Year	Model	Description	Fig.	Location	Spicer Part #	SPL (Uncoated) Part #	SPL (Coated) Part #
1992-1996	Bronco		AA	5,6,9	5-213X*	5-1330-1X* 5-1330X**	
1984	Bronco II		AA	1	5-3215X**		
	Bronco II		AA	2,3	5-153X*	5-1310-1X* 5-1310X**	
	Bronco II		AA	5,6,9	5-443X*		
	Bronco II		AA	CV	211342X		
1985	Bronco II	To 1/85	AA	1	5-3215X**		
	Bronco II	To 1/85	AA	2,3	5-153X*	5-1310-1X* 5-1310X**	
	Bronco II	To 1/85	AA	5,6,9	5-443X*		
	Bronco II	From 1/85	JA	2,3,4	5-153X*	5-1310-1X* 5-1310X**	
1986	Bronco II	w/o CV at Transfer Case	AA	2,3	5-153X*	5-1310-1X* 5-1310X**	
	Bronco II	w/ CV at Transfer Case	JA	1	5-3215X**		
	Bronco II	w/ CV at Transfer Case	JA	2,3,4	5-153X*	5-1310-1X* 5-1310X**	
1987-1989	Bronco II		Y	1	5-3215X**		
1987-1990	Bronco II		Y	2,3	5-153X*	5-1310-1X* 5-1310X**	
1990	Bronco II	Dana Model 28 Axle	Y	1	5-3215X**		
	Bronco II	Dana Model 35 Axle	Y	1	5-3226X*	5-760X**	5-760XC**
2008-2012	Escape	2-Piece Driveshaft	AT	7,9	5-153X*	5-1310-1X* 5-1310X**	
2000	Excursion	V8 5.4L; 1-Piece Driveshaft	I	5,9	5-178X*	5-1350-1X* 5-1350X**	SPL30-1350XC**
2000-2002	Excursion	1-Piece Driveshaft	I	2,3,4	5-178X*	5-1350-1X* 5-1350X**	SPL30-1350XC**
2000-2005	Excursion	1-Piece Driveshaft	I	1		SPL55-3X** SPL55-4X*	SPL55-1480XC**
2001	Excursion	V10 6.8L; 1-Piece Driveshaft; From 04/18/2001	I	5,9	5-178X*	5-1350-1X* 5-1350X**	SPL30-1350XC**
	Excursion	V10 6.8L; 1-Piece Driveshaft; To 04/18/2001	I	5,9	5-160X*	5-1410-1X* 5-1410X**	
	Excursion	V8 5.4L; 1-Piece Driveshaft; From 04/24/2001	I	5,9	5-178X*	5-1350-1X* 5-1350X**	SPL30-1350XC**
	Excursion	V8 5.4L; 1-Piece Driveshaft; To 04/24/2001	I	5,9	5-178X*	5-1350-1X* 5-1350X**	SPL30-1350XC**
2002	Excursion	1-Piece Driveshaft; 4.000" O.D. Yoke	I	5,9	5-178X*	5-1350-1X* 5-1350X**	SPL30-1350XC**
	Excursion	1-Piece Driveshaft; 4.500" O.D. Yoke	I	5,9	5-160X*	5-1410-1X* 5-1410X**	
2003	Excursion	V8 7.3L; 1-Piece Driveshaft	I	3,4	5-178X*	5-1350-1X* 5-1350X**	SPL30-1350XC**
	Excursion	V8 5.4L; 1-Piece Driveshaft	I	3,4,5,9	5-178X*	5-1350-1X* 5-1350X**	SPL30-1350XC**
	Excursion	V8 6.0L; 1-Piece Driveshaft	I	3,4,5,9	5-160X*	5-1410-1X* 5-1410X**	
	Excursion	V10 6.8L; 1-Piece Driveshaft	I	5,9	5-160X*	5-1410-1X* 5-1410X**	
	Excursion	V8 7.3L; 1-Piece Driveshaft	I	5,9	5-160X*	5-1410-1X* 5-1410X**	
2003-2005	Excursion	1-Piece Driveshaft	I	2	5-178X*	5-1350-1X* 5-1350X**	SPL30-1350XC**
	Excursion	V10 6.8L; 1-Piece Driveshaft	I	3,4	5-178X*	5-1350-1X* 5-1350X**	SPL30-1350XC**
2004-2005	Excursion	V8 5.4L; 1-Piece Driveshaft	I	3,4	5-178X*	5-1350-1X* 5-1350X**	SPL30-1350XC**
	Excursion	V8 6.0L; 1-Piece Driveshaft	I	3,4	5-160X*	5-1410-1X* 5-1410X**	
	Excursion	1-Piece Driveshaft	I	5,9	5-160X*	5-1410-1X* 5-1410X**	

\* GREASEABLE \*\* NON-GREASEABLE



4  
W  
D

**Ford (Cont'd)**

Year	Model	Description	Fig.	Location	Spicer Part #	SPL (Uncoated) Part #	SPL (Coated) Part #
1997-1999	Expedition		L	2,3	5-213X*	5-1330-1X* 5-1330X**	
	Expedition	w/ Adjustable Suspension	L	5,9	5-178X*	5-1350-1X* 5-1350X**	SPL30-1350XC**
	Expedition	w/ Standard Suspension	L	5,9	5-213X*	5-1330-1X* 5-1330X**	
2000	Expedition	V8 4.6L; 1-Piece Driveshaft; Auto Adjustable Suspension	L	5	5-178X*	5-1350-1X* 5-1350X**	SPL30-1350XC**
	Expedition	V8 5.4L; 1-Piece Driveshaft; Auto Adjustable Suspension	L	5	5-178X*	5-1350-1X* 5-1350X**	SPL30-1350XC**
	Expedition	1-Piece Driveshaft; Auto Adjustable Suspension	L	9	5-178X*	5-1350-1X* 5-1350X**	SPL30-1350XC**
2000-2001	Expedition	V8 4.6L; 1-Piece Driveshaft; Standard Duty Suspension	L	5,9	5-213X*	5-1330-1X* 5-1330X**	
2000-2002	Expedition	V8 5.4L; 1-Piece Driveshaft; Standard Duty Suspension	L	5,9	5-178X*	5-1350-1X* 5-1350X**	SPL30-1350XC**
2000-2006	Expedition	1-Piece Driveshaft	L	2,3	5-213X*	5-1330-1X* 5-1330X**	
2001	Expedition	V8 4.6L; 1-Piece Driveshaft; Auto Adjustable Suspension	L	5,9	5-178X*	5-1350-1X* 5-1350X**	SPL30-1350XC**
2001-2002	Expedition	V8 5.4L; 1-Piece Driveshaft; Auto Adjustable Suspension	L	5,9	5-178X*	5-1350-1X* 5-1350X**	SPL30-1350XC**
2002	Expedition	V8 4.6L; 1-Piece Driveshaft	L	5,9	5-178X*	5-1350-1X* 5-1350X**	SPL30-1350XC**
2003-2006	Expedition	1-Piece Driveshaft	L	5,9	5-178X*	5-1350-1X* 5-1350X**	SPL30-1350XC**
2007-2008	Expedition	Exc. Max Eddie Bauer & Max Limited; 1-Piece Driveshaft	AG	5,9	5-178X*	5-1350-1X* 5-1350X**	SPL30-1350XC**
2009-2010	Expedition	Exc. Max Eddie Bauer, Max King Ranch & Max Limited; 1-Piece Driveshaft	AG	5,9	5-178X*	5-1350-1X* 5-1350X**	SPL30-1350XC**

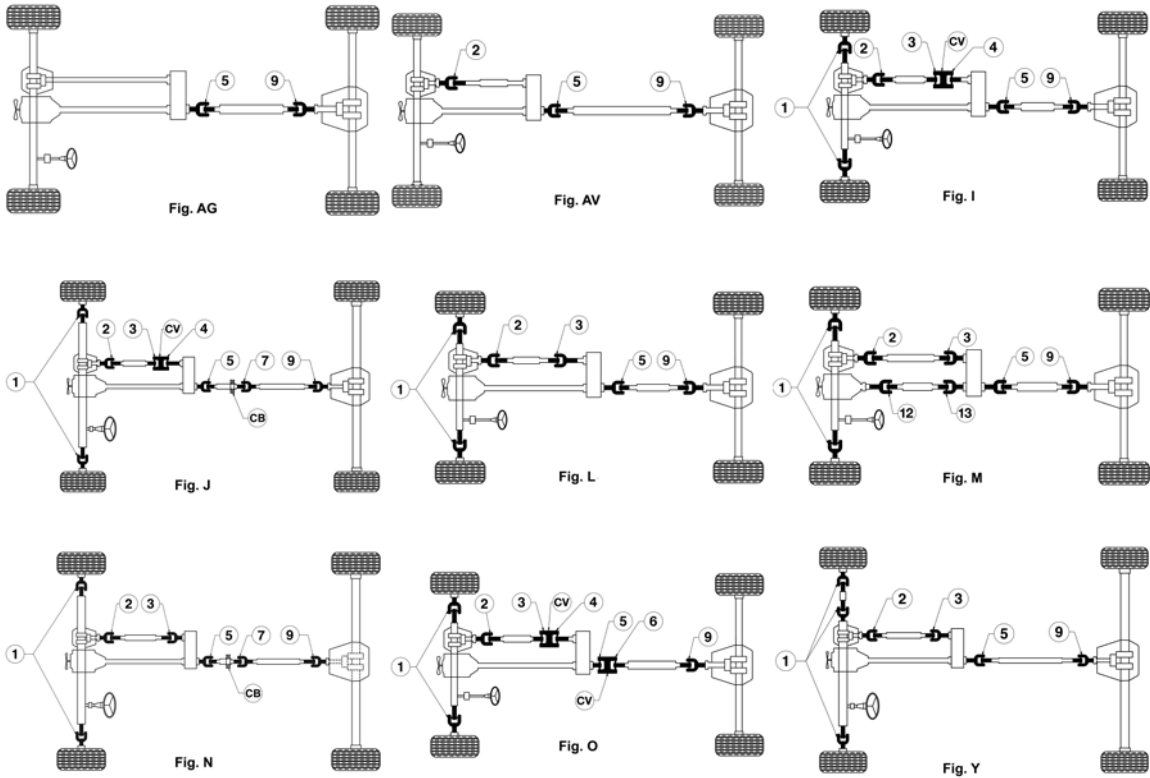
\* GREASEABLE \*\* NON-GREASEABLE

**Ford (Cont'd)**

Year	Model	Description	Fig.	Location	Spicer Part #	SPL (Uncoated) Part #	SPL (Coated) Part #
2011	Expedition	Exc. Max King Ranch, Max Limited & Max XL; 1-Piece Driveshaft	AG	5,9	5-178X*	5-1350-1X* 5-1350X**	SPL30-1350XC**
2012-2016	Expedition	Exc. Max Limited; 1-Piece Driveshaft	AG	5,9	5-178X*	5-1350-1X* 5-1350X**	SPL30-1350XC**
2017	Expedition	1-Piece Driveshaft	AG	5,9	5-178X*	5-1350-1X* 5-1350X**	SPL30-1350XC**
1991-1994	Explorer	Dana Model 28 Axle	I	1	5-3215X**		
	Explorer	Dana Model 35 Axle	I	1	5-3226X*	5-760X**	5-760XC**
	Explorer		I	2,3,4	5-153X*	5-1310-1X* 5-1310X**	
	Explorer	2 Door	I	5,9	5-153X*	5-1310-1X* 5-1310X**	
	Explorer	4 Door; Auto Trans	I	5,9	5-153X*	5-1310-1X* 5-1310X**	
	Explorer	4 Door; Standard Trans	I	5,9	5-213X*	5-1330-1X* 5-1330X**	
1995-1996	Explorer		L	2,3	5-153X*	5-1310-1X* 5-1310X**	
	Explorer	2 Door	L	5	5-153X*	5-1310-1X* 5-1310X**	
	Explorer	4 Door	L	5	5-213X*	5-1330-1X* 5-1330X**	
	Explorer		L	9	5-213X*	5-1330-1X* 5-1330X**	
1997-2006	Explorer		L	5,9	5-213X*	5-1330-1X* 5-1330X**	
1997-2011	Explorer		L	2	5-153X*	5-1310-1X* 5-1310X**	
2007-2011	Explorer		L	5,9	5-178X*	5-1350-1X* 5-1350X**	SPL30-1350XC**
2001	Explorer Sport	1-Piece Driveshaft	AV	2,5,9	5-213X*	5-1330-1X* 5-1330X**	
2002-2003	Explorer Sport	1-Piece Driveshaft	AV	2	5-153X*	5-1310-1X* 5-1310X**	
	Explorer Sport	1-Piece Driveshaft	AV	5,9	5-213X*	5-1330-1X* 5-1330X**	
2001-2005	Explorer Sport Trac		L	5,9	5-213X*	5-1330-1X* 5-1330X**	
2007-2010	Explorer Sport Trac		L	2	5-153X*	5-1310-1X* 5-1310X**	
1960-1965	F-100		M	12,13	5-153X*	5-1310-1X* 5-1310X**	
	F-100		M	2,3,5,9	5-134X*		
1965-1966	F-100	w/ Inside Snap Rings	M	1	5-260X**		
	F-100	w/ Outside Snap Rings	M	1	5-178X*	5-1350-1X* 5-1350X**	SPL30-1350XC**
1966	F-100		N	2,3	5-134X*		
	F-100		N	5	5-153X*	5-1310-1X* 5-1310X**	
	F-100		N	7,9	5-134X*		
1967-1968	F-100	2-Piece Driveshaft; w/ Inside Snap Rings	N	1	5-260X**		
	F-100	2-Piece Driveshaft; w/ Outside Snap Rings	N	1	5-178X*	5-1350-1X* 5-1350X**	SPL30-1350XC**
	F-100	1-Piece Driveshaft; w/ Inside Snap Rings	Y	1	5-260X**		
	F-100	1-Piece Driveshaft; w/ Outside Snap Rings	Y	1	5-178X*	5-1350-1X* 5-1350X**	SPL30-1350XC**
	F-100	1-Piece Driveshaft	Y	2,3,5,9	5-153X*	5-1310-1X* 5-1310X**	
1970-1973	F-100	1-Piece Driveshaft	L	1	5-3226X*	5-760X**	5-760XC**
	F-100	1-Piece Driveshaft	L	2,3,5,9	5-153X*	5-1310-1X* 5-1310X**	
	F-100	2-Piece Driveshaft	N	1	5-3226X*	5-760X**	5-760XC**
	F-100	2-Piece Driveshaft	N	2,3,5,7,9	5-153X*	5-1310-1X* 5-1310X**	

\* GREASEABLE \*\* NON-GREASEABLE





4  
W  
D

**Ford (Cont'd)**

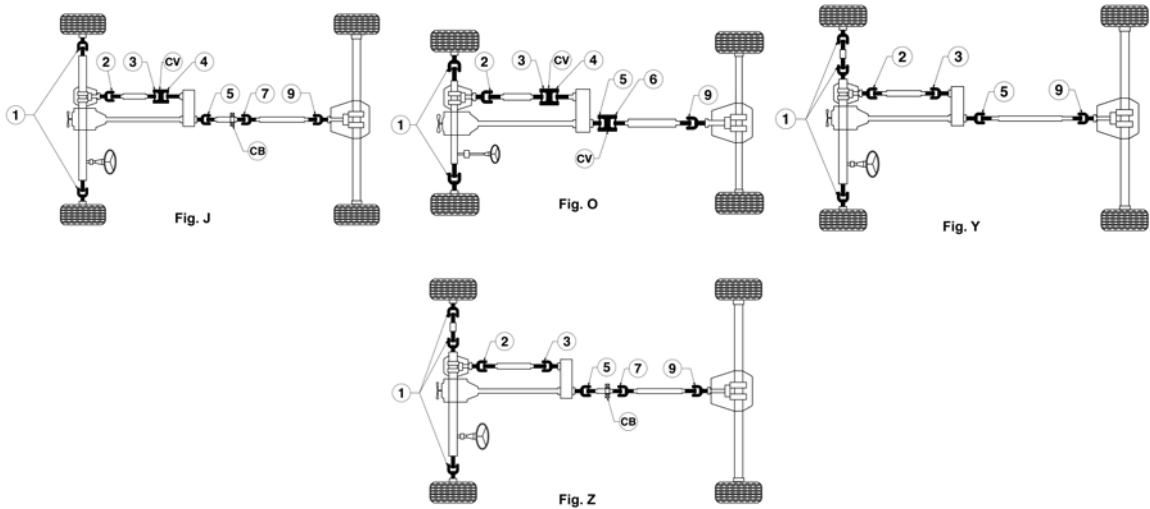
Year	Model	Description	Fig.	Location	Spicer Part #	SPL (Uncoated) Part #	SPL (Coated) Part #
1974-1975	F-100	1-Piece Driveshaft	I	2,3,4,5,9	5-153X*	5-1310-1X* 5-1310X**	
	F-100	2-Piece Driveshaft	J	1	5-3226X*	5-760X**	5-760XC**
	F-100	2-Piece Driveshaft	J	2,3,4,5,7,9	5-153X*	5-1310-1X* 5-1310X**	
1974-1976 1976	F-100	1-Piece Driveshaft	I	1	5-3226X*	5-760X**	5-760XC**
	F-100	1-Piece Driveshaft	I	2,3,4	5-153X*	5-1310-1X* 5-1310X**	
	F-100	2-Piece Driveshaft	J	1		5-760X**	5-760XC**
	F-100	2-Piece Driveshaft; w/ CV at Transfer Case	J	1	5-3226X*		
	F-100	2-Piece Driveshaft; w/ CV at Transfer Case	J	2,3,4	5-153X*	5-1310-1X* 5-1310X**	
	F-100	2-Piece Driveshaft; w/ CV at Trans	O	5,6,9	5-153X*	5-1310-1X* 5-1310X**	
1976	F-150	2-Piece Driveshaft; w/o Double Cardan CV Joint	J	5,7,9	5-153X*	5-1310-1X* 5-1310X**	
	F-150	2-Piece Driveshaft; w/ Double Cardan CV Joint	O	5,6,9	5-153X*	5-1310-1X* 5-1310X**	
1976-1977	F-150	1-Piece Driveshaft	I	1	5-3226X*	5-760X**	5-760XC**
	F-150	1-Piece Driveshaft; w/ Full Time Transfer Case	I	2,3,4	5-153X*	5-1310-1X* 5-1310X**	
	F-150	1-Piece Driveshaft; w/ Part Time Transfer Case	I	2,3,4	5-153X*	5-1310-1X* 5-1310X**	
	F-150	1-Piece Driveshaft	I	5,9	5-153X*	5-1310-1X* 5-1310X**	
	F-150	2-Piece Driveshaft	J	1	5-3226X*	5-760X**	5-760XC**
	F-150	2-Piece Driveshaft; w/ Full Time Transfer Case	J	2,3,4	5-153X*	5-1310-1X* 5-1310X**	
	F-150	2-Piece Driveshaft; w/ Part Time Transfer Case	J	2,3,4	5-153X*	5-1310-1X* 5-1310X**	

\* GREASEABLE \*\* NON-GREASEABLE

**Ford (Cont'd)**

Year	Model	Description	Fig.	Location	Spicer Part #	SPL (Uncoated) Part #	SPL (Coated) Part #
1977	F-150	2-Piece Driveshaft; w/o Double Cardan CV Joint; w/ 3.875" O.D. Yoke	J	5,7	5-153X*	5-1310-1X* 5-1310X**	
	F-150	2-Piece Driveshaft; w/o Double Cardan CV Joint; w/ 3.500" O.D. Yoke	J	5,7,9	5-153X*	5-1310-1X* 5-1310X**	
	F-150	2-Piece Driveshaft; w/o Double Cardan CV Joint; w/ 3.875" O.D. Yoke	J	9	5-213X*	5-1330-1X* 5-1330X**	
	F-150	2-Piece Driveshaft; w/ Double Cardan CV Joint; w/ 3.875" O.D. Yoke	0	5,6	5-153X*	5-1310-1X* 5-1310X**	
	F-150	2-Piece Driveshaft; w/ Double Cardan CV Joint; w/ 3.500" O.D. Yoke	0	5,6,9	5-153X*	5-1310-1X* 5-1310X**	
	F-150	2-Piece Driveshaft; w/ Double Cardan CV Joint; w/ 3.875" O.D. Yoke	0	9	5-213X*	5-1330-1X* 5-1330X**	
1978	F-150		0	1	5-3226X*	5-760X**	5-760XC**
	F-150	w/ 3.500" O.D. Yoke	0	2,3,4	5-153X*	5-1310-1X* 5-1310X**	
	F-150	w/ 3.875" O.D. Yoke	0	2,3,4	5-213X*	5-1330-1X* 5-1330X**	
	F-150	w/ Part Time Transfer Case	0	5,6	5-153X*	5-1310-1X* 5-1310X**	
	F-150	4.9L; w/ Full Time Transfer Case	0	5,6,9	5-153X*	5-1310-1X* 5-1310X**	
	F-150	5.0L; w/ Full Time Transfer Case	0	5,6,9	5-153X*	5-1310-1X* 5-1310X**	
	F-150	5.8L; w/ Full Time Transfer Case	0	5,6,9	5-153X*	5-1310-1X* 5-1310X**	
	F-150	6.6L; w/ Full Time Transfer Case	0	5,6,9	5-213X*	5-1330-1X* 5-1330X**	
	F-150	7.5L; w/ Full Time Transfer Case	0	5,6,9	5-153X*	5-1310-1X* 5-1310X**	
	F-150	w/ Part Time Transfer Case	0	9	5-213X*	5-1330-1X* 5-1330X**	
1979	F-150	155.0" WB; 2-Piece Driveshaft	J	5,7	5-213X*	5-1330-1X* 5-1330X**	
	F-150	155.0" WB; 2-Piece Driveshaft	J	9	5-1204X*	5-7438X**	
	F-150	2-Piece Driveshaft	0	1	5-3226X*	5-760X**	5-760XC**
	F-150	2-Piece Driveshaft; w/ Full Time Transfer Case	0	2,3,4	5-213X*	5-1330-1X* 5-1330X**	
	F-150	2-Piece Driveshaft; w/ Part Time Transfer Case	0	2,3,4	5-213X*	5-1330-1X* 5-1330X**	
	F-150	117.0" WB; 2-Piece Driveshaft; w/ Double Cardan CV Joint	0	5,6	5-213X*	5-1330-1X* 5-1330X**	
	F-150	133.0" WB; 2-Piece Driveshaft; w/ Double Cardan CV Joint	0	5,6	5-213X*	5-1330-1X* 5-1330X**	
	F-150	117.0" WB; 2-Piece Driveshaft; w/ Double Cardan CV Joint	0	9	5-1204X*	5-7438X**	
	F-150	133.0" WB; 2-Piece Driveshaft; w/ Double Cardan CV Joint	0	9	5-1204X*	5-7438X**	
1980-1981	F-150	1-Piece Driveshaft; From Serial No. GJ0,001	Y	2	5-213X*	5-1330-1X* 5-1330X**	
	F-150	1-Piece Driveshaft; To Serial No. GJ0,000	Y	2	5-1204X*	5-7438X**	
	F-150	1-Piece Driveshaft; From Serial No. GJ0,001	Y	3	5-1204X*	5-7438X**	
	F-150	1-Piece Driveshaft; To Serial No. GJ0,000	Y	3	5-213X*	5-1330-1X* 5-1330X**	
	F-150	1-Piece Driveshaft; 1.125" Bearing Cup Dia.	Y	5,9	5-1204X*	5-7438X**	
	F-150	2-Piece Driveshaft; From Serial No. GJ0,001	Z	2	5-213X*	5-1330-1X* 5-1330X**	
	F-150	2-Piece Driveshaft; To Serial No. GJ0,000	Z	2	5-1204X*	5-7438X**	
	F-150	2-Piece Driveshaft; From Serial No. GJ0,001	Z	3	5-1204X*	5-7438X**	
	F-150	2-Piece Driveshaft; To Serial No. GJ0,000	Z	3	5-213X*	5-1330-1X* 5-1330X**	
	F-150	2-Piece Driveshaft; 1.125" Bearing Cup Dia.	Z	5,7,9	5-1204X*	5-7438X**	
1980-1985	F-150	1-Piece Driveshaft	Y	1	5-3226X*	5-760X**	5-760XC**
	F-150	2-Piece Driveshaft	Z	1	5-3226X*	5-760X**	5-760XC**

\* GREASEABLE \*\* NON-GREASEABLE



**Ford (Cont'd)**

Year	Model	Description	Fig.	Location	Spicer Part #	SPL (Uncoated) Part #	SPL (Coated) Part #
1982-1985	F-150	2-Piece Driveshaft; 1.125" Bearing Cup Dia.	Z	2,3,5,7,9	5-1204X*	5-7438X**	
1986-1987	F-150	1-Piece Driveshaft; 1.125" Bearing Cup Dia.	Y	2,5,9	5-1204X*	5-7438X**	
	F-150	1-Piece Driveshaft; 1.062" Bearing Cup Dia.	Y	3,5,9	5-213X*	5-1330-1X* 5-1330X**	
	F-150	2-Piece Driveshaft; 1.125" Bearing Cup Dia.	Z	2,5,9	5-1204X*	5-7438X**	
	F-150	2-Piece Driveshaft; 1.062" Bearing Cup Dia.	Z	3,5,7,9	5-213X*	5-1330-1X* 5-1330X**	
1988-1989	F-150	1-Piece Driveshaft; 1.125" Bearing Cup Dia.	Y	2,3,5,9	5-1204X*	5-7438X**	
	F-150	1-Piece Driveshaft; 1.062" Bearing Cup Dia.	Y	5,9	5-213X*	5-1330-1X* 5-1330X**	
	F-150	2-Piece Driveshaft; 1.125" Bearing Cup Dia.	Z	2,3,5,9	5-1204X*	5-7438X**	
	F-150	2-Piece Driveshaft; 1.062" Bearing Cup Dia.	Z	5,7,9	5-213X*	5-1330-1X* 5-1330X**	
1990	F-150	1-Piece Driveshaft	Y	2,3,9	5-1204X*	5-7438X**	
	F-150	1-Piece Driveshaft; w/ U-Bolts	Y	5	5-1204X*	5-7438X**	
	F-150	1-Piece Driveshaft; w/o U-Bolts	Y	5	5-213X*	5-1330-1X* 5-1330X**	
	F-150	2-Piece Driveshaft; w/ U-Bolts	Z	5	5-1204X*	5-7438X**	
	F-150	2-Piece Driveshaft; w/o U-Bolts	Z	5	5-213X*	5-1330-1X* 5-1330X**	
	F-150	2-Piece Driveshaft	Z	9	5-1204X*	5-7438X**	
1990-1996	F-150	2-Piece Driveshaft	Z	2,3	5-1204X*	5-7438X**	
	F-150	2-Piece Driveshaft	Z	7	5-213X*	5-1330-1X* 5-1330X**	
1991-1996	F-150	1-Piece Driveshaft	Y	2,3	5-1204X*	5-7438X**	
	F-150	1-Piece Driveshaft; w/ U-Bolts	Y	5,9	5-1204X*	5-7438X**	
	F-150	1-Piece Driveshaft; w/o U-Bolts	Y	5,9	5-213X*	5-1330-1X* 5-1330X**	
	F-150	2-Piece Driveshaft; w/ U-Bolts	Z	5,9	5-1204X*	5-7438X**	
	F-150	2-Piece Driveshaft; w/o U-Bolts	Z	5,9	5-213X*	5-1330-1X* 5-1330X**	
	F-150	2-Piece Driveshaft	Z	9	5-1204X*	5-7438X**	
1997-2000	F-150	4.2L; Standard Cab; 1-Piece Driveshaft	Y	5,9	5-213X*	5-1330-1X* 5-1330X**	
	F-150	4.6L; Standard Cab; 1-Piece Driveshaft	Y	5,9	5-213X*	5-1330-1X* 5-1330X**	
	F-150	5.4L; Standard Cab; 1-Piece Driveshaft	Y	5,9	5-178X*	5-1350-1X* 5-1350X**	SPL30-1350XC**
	F-150	4.2L; Standard Cab; 2-Piece Driveshaft	Z	5,9	5-213X*	5-1330-1X* 5-1330X**	

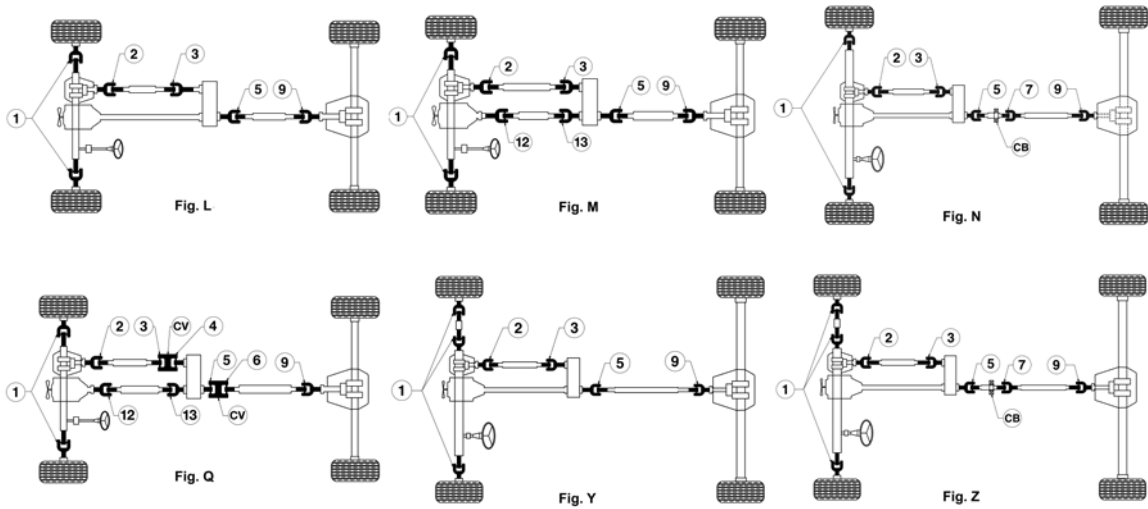
\* GREASEABLE \*\* NON-GREASEABLE

4  
W  
D

**Ford (Cont'd)**

Year	Model	Description	Fig.	Location	Spicer Part #	SPL (Uncoated) Part #	SPL (Coated) Part #
1997-2000	F-150	4.6L; Standard Cab; 2-Piece Driveshaft	Z	5,9	5-213X*	5-1330-1X* 5-1330X**	
	F-150	5.4L; Standard Cab; 2-Piece Driveshaft	Z	5,9	5-178X*	5-1350-1X* 5-1350X**	SPL30-1350XC**
1997-2003	F-150	Extended Cab; 1-Piece Driveshaft	Y	5,9	5-178X*	5-1350-1X* 5-1350X**	SPL30-1350XC**
	F-150	Extended Cab; 2-Piece Driveshaft	Z	5,7,9	5-178X*	5-1350-1X* 5-1350X**	SPL30-1350XC**
1997-2004	F-150	1-Piece Driveshaft	Y	2,3	5-213X*	5-1330-1X* 5-1330X**	
	F-150	2-Piece Driveshaft	Z	2,3	5-213X*	5-1330-1X* 5-1330X**	
2001-2003	F-150	4.2L; Standard Cab; 66.0" Bed; 1-Piece Driveshaft	Y	5,9	5-213X*	5-1330-1X* 5-1330X**	
	F-150	4.6L; Standard Cab; 66.0" Bed; 1-Piece Driveshaft	Y	5,9	5-213X*	5-1330-1X* 5-1330X**	
	F-150	5.4L; Standard Cab; 66.0" Bed; 1-Piece Driveshaft	Y	5,9	5-178X*	5-1350-1X* 5-1350X**	SPL30-1350XC**
	F-150	Crew Cab; 1-Piece Driveshaft	Y	5,9	5-178X*	5-1350-1X* 5-1350X**	SPL30-1350XC**
	F-150	Crew Cab; 2-Piece Driveshaft	Z	5,7,9	5-178X*	5-1350-1X* 5-1350X**	SPL30-1350XC**
	F-150	4.2L; Standard Cab; 66.0" Bed; 2-Piece Driveshaft	Z	5,9	5-213X*	5-1330-1X* 5-1330X**	
	F-150	4.6L; Standard Cab; 66.0" Bed; 2-Piece Driveshaft	Z	5,9	5-213X*	5-1330-1X* 5-1330X**	
	F-150	5.4L; Standard Cab; 66.0" Bed; 2-Piece Driveshaft	Z	5,9	5-178X*	5-1350-1X* 5-1350X**	SPL30-1350XC**
2004	F-150	1-Piece Driveshaft	Y	5,9	5-178X*	5-1350-1X* 5-1350X**	SPL30-1350XC**
	F-150	2-Piece Driveshaft	Z	5,7,9	5-178X*	5-1350-1X* 5-1350X**	SPL30-1350XC**
2005-2007	F-150	1-Piece Driveshaft	L	2,3	5-213X*	5-1330-1X* 5-1330X**	
	F-150	2-Piece Driveshaft	N	2,3	5-213X*	5-1330-1X* 5-1330X**	
2008-2014	F-150	1-Piece Driveshaft	L	2,3,5,9	5-178X*	5-1350-1X* 5-1350X**	SPL30-1350XC**
	F-150	2-Piece Driveshaft	N	2,3,5,7,9	5-178X*	5-1350-1X* 5-1350X**	SPL30-1350XC**
2015-2017	F-150	1-Piece Driveshaft	L	5,9	5-178X*	5-1350-1X* 5-1350X**	SPL30-1350XC**
	F-150	2-Piece Driveshaft	N	5,7,9	5-178X*	5-1350-1X* 5-1350X**	SPL30-1350XC**
2004	F-150 Heritage	1-Piece Driveshaft	Y	2,3	5-213X*	5-1330-1X* 5-1330X**	
	F-150 Heritage	1-Piece Driveshaft	Y	5,9	5-178X*	5-1350-1X* 5-1350X**	SPL30-1350XC**
	F-150 Heritage	2-Piece Driveshaft	Z	2,3	5-213X*	5-1330-1X* 5-1330X**	
	F-150 Heritage	2-Piece Driveshaft	Z	5,7,9	5-178X*	5-1350-1X* 5-1350X**	SPL30-1350XC**
1960-1972	F-250		M	12,13	5-153X*	5-1310-1X* 5-1310X**	
	F-250		M	2,3,5,9	5-134X*		
1960-1974	F-250	w/ Inside Snap Rings	M	1	5-260X**		
	F-250	w/ Outside Snap Rings	M	1	5-178X*	5-1350-1X* 5-1350X**	SPL30-1350XC**
1973-1974	F-250		M	2,3,5,9,12,13	5-134X*		
1975-1976	F-250	1-Piece Driveshaft; w/ Part Time Transfer Case; w/ 3.500" O.D. Yoke	M	12,13	5-153X*	5-1310-1X* 5-1310X**	
	F-250	133.0" WB; 1-Piece Driveshaft; w/ Part Time Transfer Case	M	5,9	5-134X*		

\* GREASEABLE \*\* NON-GREASEABLE



**Ford (Cont'd)**

Year	Model	Description	Fig.	Location	Spicer Part #	SPL (Uncoated) Part #	SPL (Coated) Part #
1975-1976	F-250	155.0" WB; 1-Piece Driveshaft; w/ Part Time Transfer Case	M	5,9	5-153X*	5-1310-1X* 5-1310X**	
	F-250	2-Piece Driveshaft; w/ Full Time Transfer Case	Q	12	5-134X*		
	F-250	2-Piece Driveshaft; w/ Full Time Transfer Case	Q	2,3,4,5,9,13	5-153X*	5-1310-1X* 5-1310X**	
1975-1977	F-250	1-Piece Driveshaft; w/ Part Time Transfer Case; w/ Inside Snap Rings	M	1	5-3226X*	5-760X**	5-760XC**
	F-250	1-Piece Driveshaft; w/ Part Time Transfer Case; w/ Outside Snap Rings	M	1	5-178X*	5-1350-1X* 5-1350X**	SPL30-1350XC**
	F-250	1-Piece Driveshaft; w/ Part Time Transfer Case	M	2,3	5-134X*		
	F-250	2-Piece Driveshaft; w/ Full Time Transfer Case; w/ Inside Snap Rings	Q	1	5-3226X*	5-760X**	5-760XC**
	F-250	2-Piece Driveshaft; w/ Full Time Transfer Case; w/ Outside Snap Rings	Q	1	5-178X*	5-1350-1X* 5-1350X**	SPL30-1350XC**
1976	F-250	1-Piece Driveshaft; w/ Part Time Transfer Case; w/ 3.875" O.D. Yoke	M	12,13	5-134X*		
1977	F-250	1-Piece Driveshaft; w/ Part Time Transfer Case; w/ 3.500" O.D. Yoke; w/ 3.875" O.D. Yoke	M	12,13	5-134X*		
	F-250	1-Piece Driveshaft; w/ Part Time Transfer Case; w/ 3.875" O.D. Yoke	M	12,13	5-213X*	5-1330-1X* 5-1330X**	
	F-250	1-Piece Driveshaft; w/ Part Time Transfer Case	M	5,9	5-213X*	5-1330-1X* 5-1330X**	
	F-250	2-Piece Driveshaft; w/ Full Time Transfer Case; w/ 3.875" O.D. Yoke	Q	12,13	5-213X*	5-1330-1X* 5-1330X**	
	F-250	2-Piece Driveshaft; w/ Full Time Transfer Case; w/ 3.875" O.D. Yoke; w/ 3.500" O.D. Yoke	Q	12,13	5-134X*		
	F-250	2-Piece Driveshaft; w/ Full Time Transfer Case	Q	2,3,4,5,9	5-153X*	5-1310-1X* 5-1310X**	

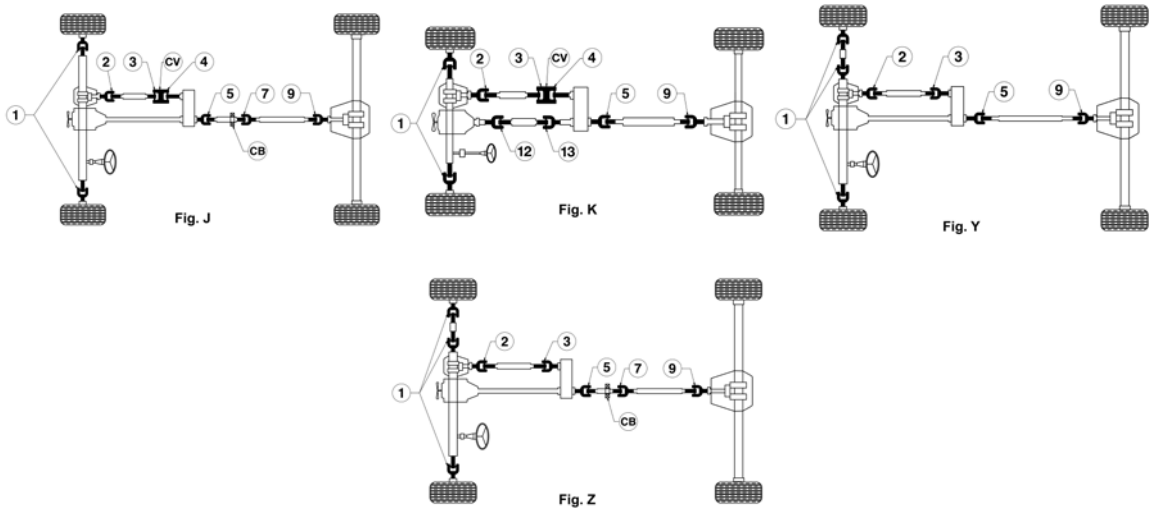
\* GREASEABLE \*\* NON-GREASEABLE

4 WD

**Ford (Cont'd)**

Year	Model	Description	Fig.	Location	Spicer Part #	SPL (Uncoated) Part #	SPL (Coated) Part #	
1978	F-250	w/ Inside Snap Rings; 1.375" Bearing Cup Dia.	K	1		SPL55-3X** SPL55-4X*	SPL55-1480XC**	
	F-250	w/ 3.500" O.D. Yoke	K	12,13	5-153X*	5-1310-1X* 5-1310X**		
	F-250	w/ 3.875" O.D. Yoke	K	12,13	5-213X*	5-1330-1X* 5-1330X**		
	F-250		K	2	5-213X*	5-1330-1X* 5-1330X**		
	F-250		K	3,4	5-153X*	5-1310-1X* 5-1310X**		
	F-250		K	5,9	5-213X*	5-1330-1X* 5-1330X**		
1978-1979	F-250	w/ Inside Snap Rings; 1.188" Bearing Cup Dia.	K	1	5-3226X*	5-760X**	5-760XC**	
	F-250	w/ Outside Snap Rings; 1.188" Bearing Cup Dia.	K	1		5-1350-1X* 5-1350X**		
1979	F-250	w/ Inside Snap Rings; 1.375" Bearing Cup Dia.	J	1		SPL55-3X** SPL55-4X*		
	F-250		J	2	5-1204X*	5-7438X**		
	F-250		J	3,4	5-213X*	5-1330-1X* 5-1330X**		
	F-250	Cab & Chassis	J	5	5-213X*	5-1330-1X* 5-1330X**		
	F-250	Extended Cab	J	5	5-213X*	5-1330-1X* 5-1330X**		
	F-250	Standard Cab	J	5	5-213X*	5-1330-1X* 5-1330X**		
	F-250	Crew Cab	J	5,7	5-213X*	5-1330-1X* 5-1330X**		
	F-250	Cab & Chassis	J	9	5-1204X*	5-7438X**		
	F-250	Crew Cab	J	9	5-1204X*	5-7438X**		
	F-250	Extended Cab	J	9	5-1204X*	5-7438X**		
	F-250	Standard Cab	J	9	5-1204X*	5-7438X**		
	1980-1981	F-250	w/ U-Bolts	Y	2,3	5-1204X*	5-7438X**	
		F-250	w/o U-Bolts	Y	2,3	5-1204X*	5-7438X**	
1982	F-250	Cab & Chassis	Y	5,9	5-1204X*	5-7438X**		
	F-250	Extended Cab	Y	5,9	5-1204X*	5-7438X**		
	F-250	Standard Cab	Y	5,9	5-1204X*	5-7438X**		
1983	F-250	Cab & Chassis; 1-Piece Driveshaft	Y	5,9	5-1204X*	5-7438X**		
	F-250	Crew Cab; 1-Piece Driveshaft	Y	5,9	5-1204X*	5-7438X**		
	F-250	Extended Cab; 1-Piece Driveshaft	Y	5,9	5-1204X*	5-7438X**		
	F-250	Standard Cab; 1-Piece Driveshaft	Y	5,9	5-1204X*	5-7438X**		
	F-250	Stripped Chassis; 1-Piece Driveshaft	Y	5,9	5-1204X*	5-7438X**		
	F-250	Crew Cab; 2-Piece Driveshaft	Z	5	5-1204X*	5-7438X**		
	F-250	Cab & Chassis; 2-Piece Driveshaft	Z	5,9	5-1204X*	5-7438X**		
	F-250	Extended Cab; 2-Piece Driveshaft	Z	5,9	5-1204X*	5-7438X**		
	F-250	Standard Cab; 2-Piece Driveshaft	Z	5,9	5-1204X*	5-7438X**		
	F-250	Stripped Chassis; 2-Piece Driveshaft	Z	5,9	5-1204X*	5-7438X**		
	F-250	Crew Cab; 2-Piece Driveshaft	Z	7	5-213X*	5-1330-1X* 5-1330X**		
	F-250	Crew Cab; 2-Piece Driveshaft	Z	9	5-1204X*	5-7438X**		
	1984-1986	F-250	w/ Standard Axle; w/ Inside Snap Rings	Y	1	5-3226X*	5-760X**	5-760XC**
F-250			Y	2,3	5-1204X*	5-7438X**		
F-250			Y	5	5-213X*	5-1330-1X* 5-1330X**		
F-250			Y	9	5-1204X*	5-7438X**		
1984-1987	F-250	w/ Heavy Duty Axle; w/ Outside Snap Rings	Y	1	5-178X*	5-1350-1X* 5-1350X**	SPL30-1350XC**	
1987	F-250	Standard Cab; w/ Standard Axle; w/ Inside Snap Rings	Y	1	5-3226X*	5-760X**	5-760XC**	
	F-250		Y	2	5-1204X*	5-7438X**		

\* GREASEABLE \*\* NON-GREASEABLE



**Ford (Cont'd)**

Year	Model	Description	Fig.	Location	Spicer Part #	SPL (Uncoated) Part #	SPL (Coated) Part #
1987	F-250		Y	3	5-213X*	5-1330-1X* 5-1330X**	
	F-250	Standard Cab; 3-Speed	Y	5	5-213X*	5-1330-1X* 5-1330X**	
	F-250	Standard Cab; 4-Speed	Y	5	5-213X*	5-1330-1X* 5-1330X**	
	F-250	Standard Cab; Standard Trans; 5-Speed	Y	5,9	5-178X*	5-1350-1X* 5-1350X**	SPL30-1350XC**
	F-250	Standard Cab; Auto Trans; 3-Speed	Y	9	5-1204X*	5-7438X**	
	F-250	Standard Cab; Auto Trans; 4-Speed	Y	9	5-1204X*	5-7438X**	
	F-250	Standard Cab; Standard Trans; 4-Speed	Y	9	5-1204X*	5-7438X**	
1988	F-250	3-Speed; 1-Piece Driveshaft; w/o Heavy Duty Trans	Y	5	5-213X*	5-1330-1X* 5-1330X**	
	F-250	4.9L; Standard Trans; 5-Speed; 1-Piece Driveshaft; Heavy Duty Trans	Y	5	5-213X*	5-1330-1X* 5-1330X**	
	F-250	4-Speed; 1-Piece Driveshaft; w/o Heavy Duty Trans	Y	5	5-213X*	5-1330-1X* 5-1330X**	
	F-250	5.8L; Standard Trans; 5-Speed; 1-Piece Driveshaft; Heavy Duty Trans	Y	5	5-213X*	5-1330-1X* 5-1330X**	
	F-250	7.3L; Standard Trans; 5-Speed; 1-Piece Driveshaft; Heavy Duty Trans	Y	5,9	5-178X*	5-1350-1X* 5-1350X**	SPL30-1350XC**
	F-250	7.5L; Standard Trans; 5-Speed; 1-Piece Driveshaft; Heavy Duty Trans	Y	5,9	5-178X*	5-1350-1X* 5-1350X**	SPL30-1350XC**
	F-250	3-Speed; 1-Piece Driveshaft; w/o Heavy Duty Trans	Y	9	5-1204X*	5-7438X**	
	F-250	4.9L; Standard Trans; 5-Speed; 1-Piece Driveshaft; Heavy Duty Trans	Y	9	5-1204X*	5-7438X**	
	F-250	4-Speed; 1-Piece Driveshaft; w/o Heavy Duty Trans	Y	9	5-1204X*	5-7438X**	
	F-250	5.8L; Standard Trans; 5-Speed; 1-Piece Driveshaft; Heavy Duty Trans	Y	9	5-1204X*	5-7438X**	
	F-250	3-Speed; 2-Piece Driveshaft; w/o Heavy Duty Trans	Z	5,7	5-213X*	5-1330-1X* 5-1330X**	
	F-250	4.9L; Standard Trans; 5-Speed; 2-Piece Driveshaft; Heavy Duty Trans	Z	5,7	5-213X*	5-1330-1X* 5-1330X**	
	F-250	4-Speed; 2-Piece Driveshaft; w/o Heavy Duty Trans	Z	5,7	5-213X*	5-1330-1X* 5-1330X**	
	F-250	5.8L; Standard Trans; 5-Speed; 2-Piece Driveshaft; Heavy Duty Trans	Z	5,7	5-213X*	5-1330-1X* 5-1330X**	
	F-250	7.3L; Standard Trans; 5-Speed; 2-Piece Driveshaft; Heavy Duty Trans	Z	5,7,9	5-178X*	5-1350-1X* 5-1350X**	SPL30-1350XC**

\* GREASEABLE \*\* NON-GREASEABLE

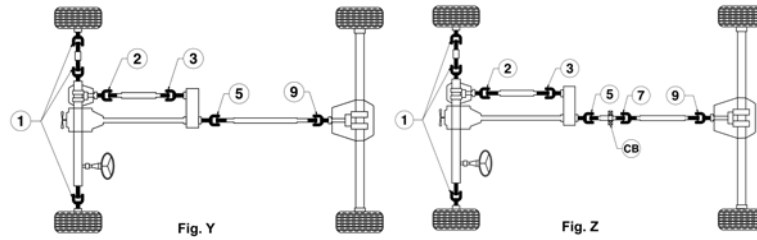
4  
W  
D

**Ford (Cont'd)**

Year	Model	Description	Fig.	Location	Spicer Part #	SPL (Uncoated) Part #	SPL (Coated) Part #
1988	F-250	7.5L; Standard Trans; 5-Speed; 2-Piece Driveshaft; Heavy Duty Trans	Z	5,7,9	5-178X*	5-1350-1X* 5-1350X**	SPL30-1350XC**
	F-250	3-Speed; 2-Piece Driveshaft; w/o Heavy Duty Trans	Z	9	5-1204X*	5-7438X**	
	F-250	4.9L; Standard Trans; 5-Speed; 2-Piece Driveshaft; Heavy Duty Trans	Z	9	5-1204X*	5-7438X**	
	F-250	4-Speed; 2-Piece Driveshaft; w/o Heavy Duty Trans	Z	9	5-1204X*	5-7438X**	
	F-250	5.8L; Standard Trans; 5-Speed; 2-Piece Driveshaft; Heavy Duty Trans	Z	9	5-1204X*	5-7438X**	
1988-1989	F-250	1-Piece Driveshaft; w/ Heavy Duty Axle; w/ Outside Snap Rings	Y	1	5-178X*	5-1350-1X* 5-1350X**	SPL30-1350XC**
	F-250	1-Piece Driveshaft; w/ Standard Axle; w/ Inside Snap Rings	Y	1	5-3226X*	5-760X**	5-760XC**
	F-250	1-Piece Driveshaft	Y	2,3	5-1204X*	5-7438X**	
	F-250	2-Piece Driveshaft; w/ Heavy Duty Axle; w/ Outside Snap Rings	Z	1	5-178X*	5-1350-1X* 5-1350X**	SPL30-1350XC**
	F-250	2-Piece Driveshaft; w/ Standard Axle; w/ Inside Snap Rings	Z	1	5-3226X*	5-760X**	5-760XC**
1989	F-250	2-Piece Driveshaft	Z	2,3	5-1204X*	5-7438X**	
	F-250	3-Speed; 1-Piece Driveshaft; w/o H/D	Y	5	5-213X*	5-1330-1X* 5-1330X**	
	F-250	4-Speed; 1-Piece Driveshaft; w/o H/D	Y	5	5-213X*	5-1330-1X* 5-1330X**	
	F-250	Standard Trans; 5-Speed; 1-Piece Driveshaft	Y	5,9	5-178X*	5-1350-1X* 5-1350X**	SPL30-1350XC**
	F-250	3-Speed; 1-Piece Driveshaft; w/o H/D	Y	9	5-1204X*	5-7438X**	
	F-250	4-Speed; 1-Piece Driveshaft; w/o H/D	Y	9	5-1204X*	5-7438X**	
	F-250	3-Speed; 2-Piece Driveshaft; w/o H/D	Z	5,7	5-213X*	5-1330-1X* 5-1330X**	
	F-250	4-Speed; 2-Piece Driveshaft; w/o H/D	Z	5,7	5-213X*	5-1330-1X* 5-1330X**	
	F-250	Standard Trans; 5-Speed; 2-Piece Driveshaft	Z	5,7,9	5-178X*	5-1350-1X* 5-1350X**	SPL30-1350XC**
	F-250	3-Speed; 2-Piece Driveshaft; w/o H/D	Z	9	5-1204X*	5-7438X**	
1990-1996	F-250	4-Speed; 2-Piece Driveshaft; w/o H/D	Z	9	5-1204X*	5-7438X**	
	F-250	1-Piece Driveshaft; w/ Heavy Duty 4600 lb. Axle; w/ Outside Snap Rings	Y	1	5-178X*	5-1350-1X* 5-1350X**	SPL30-1350XC**
	F-250	1-Piece Driveshaft; w/ Standard 3850 lb. Axle; w/ Inside Snap Rings	Y	1	5-3226X*	5-760X**	5-760XC**
	F-250	Extended Cab; 1-Piece Driveshaft	Y	2,3	5-1204X*	5-7438X**	
	F-250	Standard Cab; 1-Piece Driveshaft	Y	2,3	5-1204X*	5-7438X**	
	F-250	4.9L; Extended Cab; 1-Piece Driveshaft	Y	5	5-213X*	5-1330-1X* 5-1330X**	
	F-250	4.9L; Standard Cab; 1-Piece Driveshaft; w/ U-Bolts	Y	5	5-1204X*	5-7438X**	
	F-250	4.9L; Standard Cab; 1-Piece Driveshaft; w/o U-Bolts	Y	5	5-213X*	5-1330-1X* 5-1330X**	
	F-250	5.0L; Extended Cab; 1-Piece Driveshaft	Y	5	5-213X*	5-1330-1X* 5-1330X**	
	F-250	5.0L; Standard Cab; 1-Piece Driveshaft; w/ U-Bolts	Y	5	5-1204X*	5-7438X**	
	F-250	5.0L; Standard Cab; 1-Piece Driveshaft; w/o U-Bolts	Y	5	5-213X*	5-1330-1X* 5-1330X**	
	F-250	5.8L; Extended Cab; 1-Piece Driveshaft	Y	5	5-213X*	5-1330-1X* 5-1330X**	
	F-250	5.8L; Standard Cab; 1-Piece Driveshaft; w/ U-Bolts	Y	5	5-1204X*	5-7438X**	
	F-250	5.8L; Standard Cab; 1-Piece Driveshaft; w/o U-Bolts	Y	5	5-213X*	5-1330-1X* 5-1330X**	
	F-250	7.3L; Extended Cab; Auto Trans; 1-Piece Driveshaft	Y	5	5-213X*	5-1330-1X* 5-1330X**	
	F-250	7.3L; Standard Cab; Auto Trans; 1-Piece Driveshaft; w/ U-Bolts	Y	5	5-1204X*	5-7438X**	

\* GREASEABLE \*\* NON-GREASEABLE





**Ford (Cont'd)**

Year	Model	Description	Fig.	Location	Spicer Part #	SPL (Uncoated) Part #	SPL (Coated) Part #
1990-1996	F-250	7.3L; Standard Cab; Auto Trans; 1-Piece Driveshaft; w/o U-Bolts	Y	5	5-213X*	5-1330-1X* 5-1330X**	
	F-250	7.5L; Extended Cab; Auto Trans; 1-Piece Driveshaft	Y	5	5-213X*	5-1330-1X* 5-1330X**	
	F-250	7.5L; Standard Cab; Auto Trans; 1-Piece Driveshaft; w/ U-Bolts	Y	5	5-1204X*	5-7438X**	
	F-250	7.5L; Standard Cab; Auto Trans; 1-Piece Driveshaft; w/o U-Bolts	Y	5	5-213X*	5-1330-1X* 5-1330X**	
	F-250	7.3L; Extended Cab; Standard Trans; 1-Piece Driveshaft	Y	5,9	5-178X*	5-1350-1X* 5-1350X**	SPL30-1350XC**
	F-250	7.3L; Standard Cab; Standard Trans; 1-Piece Driveshaft	Y	5,9	5-178X*	5-1350-1X* 5-1350X**	SPL30-1350XC**
	F-250	7.5L; Extended Cab; Standard Trans; 1-Piece Driveshaft	Y	5,9	5-178X*	5-1350-1X* 5-1350X**	SPL30-1350XC**
	F-250	7.5L; Standard Cab; Standard Trans; 1-Piece Driveshaft	Y	5,9	5-178X*	5-1350-1X* 5-1350X**	SPL30-1350XC**
	F-250	4.9L; Extended Cab; 1-Piece Driveshaft	Y	9	5-1204X*	5-7438X**	
	F-250	4.9L; Standard Cab; 1-Piece Driveshaft	Y	9	5-1204X*	5-7438X**	
	F-250	5.0L; Extended Cab; 1-Piece Driveshaft	Y	9	5-1204X*	5-7438X**	
	F-250	5.0L; Standard Cab; 1-Piece Driveshaft	Y	9	5-1204X*	5-7438X**	
	F-250	5.8L; Extended Cab; 1-Piece Driveshaft	Y	9	5-1204X*	5-7438X**	
	F-250	5.8L; Standard Cab; 1-Piece Driveshaft	Y	9	5-1204X*	5-7438X**	
	F-250	7.3L; Extended Cab; Auto Trans; 1-Piece Driveshaft	Y	9	5-1204X*	5-7438X**	
	F-250	7.3L; Standard Cab; Auto Trans; 1-Piece Driveshaft	Y	9	5-1204X*	5-7438X**	
	F-250	7.5L; Extended Cab; Auto Trans; 1-Piece Driveshaft	Y	9	5-1204X*	5-7438X**	
	F-250	7.5L; Standard Cab; Auto Trans; 1-Piece Driveshaft	Y	9	5-1204X*	5-7438X**	
	F-250	2-Piece Driveshaft; w/ Heavy Duty 4600 lb. Axle; w/ Outside Snap Rings	Z	1	5-178X*	5-1350-1X* 5-1350X**	SPL30-1350XC**
	F-250	2-Piece Driveshaft; w/ Standard 3850 lb. Axle; w/ Inside Snap Rings	Z	1	5-3226X*	5-760X**	5-760XC**
	F-250	Extended Cab; 2-Piece Driveshaft	Z	2,3	5-1204X*	5-7438X**	
	F-250	Standard Cab; 2-Piece Driveshaft	Z	2,3	5-1204X*	5-7438X**	
	F-250	4.9L; Standard Cab; 2-Piece Driveshaft; w/ U-Bolts	Z	5	5-1204X*	5-7438X**	
	F-250	4.9L; Standard Cab; 2-Piece Driveshaft; w/o U-Bolts	Z	5	5-213X*	5-1330-1X* 5-1330X**	
	F-250	5.0L; Standard Cab; 2-Piece Driveshaft; w/ U-Bolts	Z	5	5-1204X*	5-7438X**	
	F-250	5.0L; Standard Cab; 2-Piece Driveshaft; w/o U-Bolts	Z	5	5-213X*	5-1330-1X* 5-1330X**	
	F-250	5.8L; Standard Cab; 2-Piece Driveshaft; w/ U-Bolts	Z	5	5-1204X*	5-7438X**	
	F-250	5.8L; Standard Cab; 2-Piece Driveshaft; w/o U-Bolts	Z	5	5-213X*	5-1330-1X* 5-1330X**	
	F-250	7.3L; Standard Cab; Auto Trans; 2-Piece Driveshaft; w/ U-Bolts	Z	5	5-1204X*	5-7438X**	
	F-250	7.3L; Standard Cab; Auto Trans; 2-Piece Driveshaft; w/o U-Bolts	Z	5	5-213X*	5-1330-1X* 5-1330X**	

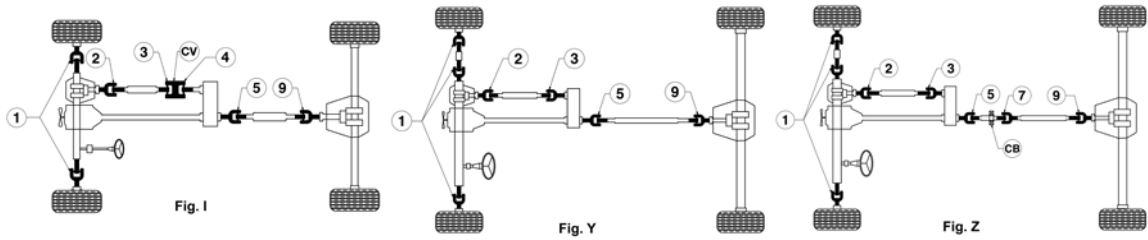
\* GREASEABLE \*\* NON-GREASEABLE

4  
W  
D

**Ford (Cont'd)**

Year	Model	Description	Fig.	Location	Spicer Part #	SPL (Uncoated) Part #	SPL (Coated) Part #
1990-1996	F-250	7.5L; Standard Cab; Auto Trans; 2-Piece Driveshaft; w/ U-Bolts	Z	5	5-1204X*	5-7438X**	
	F-250	7.5L; Standard Cab; Auto Trans; 2-Piece Driveshaft; w/o U-Bolts	Z	5	5-213X*	5-1330-1X* 5-1330X**	
	F-250	4.9L; Extended Cab; 2-Piece Driveshaft	Z	5,7	5-213X*	5-1330-1X* 5-1330X**	
	F-250	5.0L; Extended Cab; 2-Piece Driveshaft	Z	5,7	5-213X*	5-1330-1X* 5-1330X**	
	F-250	5.8L; Extended Cab; 2-Piece Driveshaft	Z	5,7	5-213X*	5-1330-1X* 5-1330X**	
	F-250	7.3L; Extended Cab; Auto Trans; 2-Piece Driveshaft	Z	5,7	5-213X*	5-1330-1X* 5-1330X**	
	F-250	7.5L; Extended Cab; Auto Trans; 2-Piece Driveshaft	Z	5,7	5-213X*	5-1330-1X* 5-1330X**	
	F-250	7.3L; Extended Cab; Standard Trans; 2-Piece Driveshaft	Z	5,7,9	5-178X*	5-1350-1X* 5-1350X**	SPL30-1350XC**
	F-250	7.5L; Extended Cab; Standard Trans; 2-Piece Driveshaft	Z	5,7,9	5-178X*	5-1350-1X* 5-1350X**	SPL30-1350XC**
	F-250	7.3L; Standard Cab; Standard Trans; 2-Piece Driveshaft	Z	5,9	5-178X*	5-1350-1X* 5-1350X**	SPL30-1350XC**
	F-250	7.5L; Standard Cab; Standard Trans; 2-Piece Driveshaft	Z	5,9	5-178X*	5-1350-1X* 5-1350X**	SPL30-1350XC**
	F-250	4.9L; Extended Cab; 2-Piece Driveshaft	Z	9	5-1204X*	5-7438X**	
	F-250	4.9L; Standard Cab; 2-Piece Driveshaft	Z	9	5-1204X*	5-7438X**	
	F-250	5.0L; Extended Cab; 2-Piece Driveshaft	Z	9	5-1204X*	5-7438X**	
	F-250	5.0L; Standard Cab; 2-Piece Driveshaft	Z	9	5-1204X*	5-7438X**	
	F-250	5.8L; Extended Cab; 2-Piece Driveshaft	Z	9	5-1204X*	5-7438X**	
	F-250	5.8L; Standard Cab; 2-Piece Driveshaft	Z	9	5-1204X*	5-7438X**	
	F-250	7.3L; Extended Cab; Auto Trans; 2-Piece Driveshaft	Z	9	5-1204X*	5-7438X**	
	F-250	7.3L; Standard Cab; Auto Trans; 2-Piece Driveshaft	Z	9	5-1204X*	5-7438X**	
	F-250	7.5L; Extended Cab; Auto Trans; 2-Piece Driveshaft	Z	9	5-1204X*	5-7438X**	
F-250	7.5L; Standard Cab; Auto Trans; 2-Piece Driveshaft	Z	9	5-1204X*	5-7438X**		
1996	F-250	Crew Cab; 1-Piece Driveshaft	Y	2,3	5-1204X*	5-7438X**	
	F-250	4.9L; Crew Cab; 1-Piece Driveshaft; w/ U-Bolts	Y	5	5-1204X*	5-7438X**	
	F-250	4.9L; Crew Cab; 1-Piece Driveshaft; w/o U-Bolts	Y	5	5-213X*	5-1330-1X* 5-1330X**	
	F-250	5.0L; Crew Cab; 1-Piece Driveshaft; w/ U-Bolts	Y	5	5-1204X*	5-7438X**	
	F-250	5.0L; Crew Cab; 1-Piece Driveshaft; w/o U-Bolts	Y	5	5-213X*	5-1330-1X* 5-1330X**	
	F-250	5.8L; Crew Cab; 1-Piece Driveshaft; w/ U-Bolts	Y	5	5-1204X*	5-7438X**	
	F-250	5.8L; Crew Cab; 1-Piece Driveshaft; w/o U-Bolts	Y	5	5-213X*	5-1330-1X* 5-1330X**	
	F-250	7.3L; Crew Cab; Auto Trans; 1-Piece Driveshaft; w/ U-Bolts	Y	5	5-1204X*	5-7438X**	
	F-250	7.3L; Crew Cab; Auto Trans; 1-Piece Driveshaft; w/o U-Bolts	Y	5	5-213X*	5-1330-1X* 5-1330X**	
	F-250	7.5L; Crew Cab; Auto Trans; 1-Piece Driveshaft; w/ U-Bolts	Y	5	5-1204X*	5-7438X**	
	F-250	7.5L; Crew Cab; Auto Trans; 1-Piece Driveshaft; w/o U-Bolts	Y	5	5-213X*	5-1330-1X* 5-1330X**	
	F-250	7.3L; Crew Cab; Standard Trans; 1-Piece Driveshaft	Y	5,9	5-178X*	5-1350-1X* 5-1350X**	SPL30-1350XC**
	F-250	7.5L; Crew Cab; Standard Trans; 1-Piece Driveshaft	Y	5,9	5-178X*	5-1350-1X* 5-1350X**	SPL30-1350XC**
	F-250	4.9L; Crew Cab; 1-Piece Driveshaft	Y	9	5-1204X*	5-7438X**	
	F-250	5.0L; Crew Cab; 1-Piece Driveshaft	Y	9	5-1204X*	5-7438X**	
	F-250	5.8L; Crew Cab; 1-Piece Driveshaft	Y	9	5-1204X*	5-7438X**	

\* GREASEABLE \*\* NON-GREASEABLE



**Ford (Cont'd)**

Year	Model	Description	Fig.	Location	Spicer Part #	SPL (Uncoated) Part #	SPL (Coated) Part #
1996	F-250	7.3L; Crew Cab; Auto Trans; 1-Piece Driveshaft	Y	9	5-1204X*	5-7438X**	
	F-250	7.5L; Crew Cab; Auto Trans; 1-Piece Driveshaft	Y	9	5-1204X*	5-7438X**	
	F-250	Crew Cab; 2-Piece Driveshaft	Z	2,3	5-1204X*	5-7438X**	
	F-250	4.9L; Crew Cab; 2-Piece Driveshaft; w/ U-Bolts	Z	5	5-1204X*	5-7438X**	
	F-250	4.9L; Crew Cab; 2-Piece Driveshaft; w/o U-Bolts	Z	5	5-213X*	5-1330-1X* 5-1330X**	
	F-250	5.0L; Crew Cab; 2-Piece Driveshaft; w/ U-Bolts	Z	5	5-1204X*	5-7438X**	
	F-250	5.0L; Crew Cab; 2-Piece Driveshaft; w/o U-Bolts	Z	5	5-213X*	5-1330-1X* 5-1330X**	
	F-250	5.8L; Crew Cab; 2-Piece Driveshaft; w/ U-Bolts	Z	5	5-1204X*	5-7438X**	
	F-250	5.8L; Crew Cab; 2-Piece Driveshaft; w/o U-Bolts	Z	5	5-213X*	5-1330-1X* 5-1330X**	
	F-250	7.3L; Crew Cab; Auto Trans; 2-Piece Driveshaft; w/ U-Bolts	Z	5	5-1204X*	5-7438X**	
	F-250	7.3L; Crew Cab; Auto Trans; 2-Piece Driveshaft; w/o U-Bolts	Z	5	5-213X*	5-1330-1X* 5-1330X**	
	F-250	7.5L; Crew Cab; Auto Trans; 2-Piece Driveshaft; w/ U-Bolts	Z	5	5-1204X*	5-7438X**	
	F-250	7.5L; Crew Cab; Auto Trans; 2-Piece Driveshaft; w/o U-Bolts	Z	5	5-213X*	5-1330-1X* 5-1330X**	
	F-250	7.3L; Crew Cab; Standard Trans; 2-Piece Driveshaft	Z	5,9	5-178X*	5-1350-1X* 5-1350X**	SPL30-1350XC**
	F-250	7.5L; Crew Cab; Standard Trans; 2-Piece Driveshaft	Z	5,9	5-178X*	5-1350-1X* 5-1350X**	SPL30-1350XC**
	F-250	4.9L; Crew Cab; 2-Piece Driveshaft	Z	9	5-1204X*	5-7438X**	
	F-250	5.0L; Crew Cab; 2-Piece Driveshaft	Z	9	5-1204X*	5-7438X**	
	F-250	5.8L; Crew Cab; 2-Piece Driveshaft	Z	9	5-1204X*	5-7438X**	
	F-250	7.3L; Crew Cab; Auto Trans; 2-Piece Driveshaft	Z	9	5-1204X*	5-7438X**	
	F-250	7.5L; Crew Cab; Auto Trans; 2-Piece Driveshaft	Z	9	5-1204X*	5-7438X**	
1997-1998	F-250	w/ Standard 3850 lb. Axle; w/ Inside Snap Rings	Y	1	5-3226X*	5-760X**	5-760XC**
	F-250	w/o H/D	Y	2,3	5-213X*	5-1330-1X* 5-1330X**	
	F-250	w/o H/D	Y	5,9	5-178X*	5-1350-1X* 5-1350X**	SPL30-1350XC**
1999	F-250	Standard Duty	Y	2,3	5-213X*	5-1330-1X* 5-1330X**	
	F-250		Y	5,9	5-178X*	5-1350-1X* 5-1350X**	SPL30-1350XC**
1999-2003	F-250 Super Duty	7.3L; Crew Cab; 1-Piece Driveshaft; w/ 4.188" O.D. Yoke	I	5	5-160X*	5-1410-1X* 5-1410X**	
	F-250 Super Duty	6.8L; Extended Cab; 96.0" Bed; 1-Piece Driveshaft; w/ 4.188" O.D. Yoke	I	5,9	5-160X*	5-1410-1X* 5-1410X**	
	F-250 Super Duty	7.3L; Extended Cab; 96.0" Bed; 1-Piece Driveshaft; w/ 4.188" O.D. Yoke	I	5,9	5-160X*	5-1410-1X* 5-1410X**	

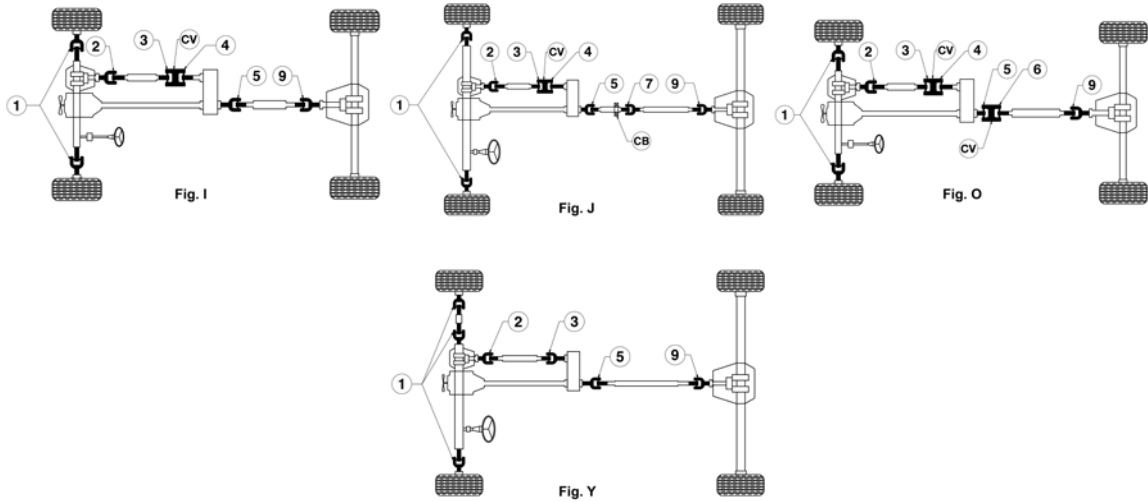
\* GREASEABLE \*\* NON-GREASEABLE

4  
W  
D

**Ford (Cont'd)**

Year	Model	Description	Fig.	Location	Spicer Part #	SPL (Uncoated) Part #	SPL (Coated) Part #
1999-2003	F-250 Super Duty	7.3L; Crew Cab; 2-Piece Driveshaft; w/ 4.188" O.D. Yoke	J	5,7	5-160X*	5-1410-1X* 5-1410X**	
	F-250 Super Duty	7.3L; Extended Cab; 96.0" Bed; 2-Piece Driveshaft; w/ 4.188" O.D. Yoke	J	5,7,9	5-160X*	5-1410-1X* 5-1410X**	
	F-250 Super Duty	7.3L; Extended Cab; 81.0" Bed; 2-Piece Driveshaft; w/ 4.188" O.D. Yoke	0	9	5-160X*	5-1410-1X* 5-1410X**	
	F-250 Super Duty	7.3L; Standard Cab; 2-Piece Driveshaft; w/ 4.188" O.D. Yoke	0	9	5-160X*	5-1410-1X* 5-1410X**	
1999-2004	F-250 Super Duty	1-Piece Driveshaft; w/ 3.625" O.D. Yoke	I	2,3,4	5-178X*	5-1350-1X* 5-1350X**	SPL30-1350XC**
	F-250 Super Duty	5.4L; Crew Cab; 1-Piece Driveshaft; w/ 3.625" O.D. Yoke	I	5	5-178X*	5-1350-1X* 5-1350X**	SPL30-1350XC**
	F-250 Super Duty	6.8L; Crew Cab; 1-Piece Driveshaft; w/ 4.188" O.D. Yoke	I	5	5-160X*	5-1410-1X* 5-1410X**	
	F-250 Super Duty	5.4L; Extended Cab; 96.0" Bed; 1-Piece Driveshaft; w/ 3.625" O.D. Yoke	I	5,9	5-178X*	5-1350-1X* 5-1350X**	SPL30-1350XC**
	F-250 Super Duty	2-Piece Driveshaft; w/ 3.625" O.D. Yoke	J	2,3,4	5-178X*	5-1350-1X* 5-1350X**	SPL30-1350XC**
	F-250 Super Duty	5.4L; Crew Cab; 2-Piece Driveshaft; w/ 3.625" O.D. Yoke	J	5,7	5-178X*	5-1350-1X* 5-1350X**	SPL30-1350XC**
	F-250 Super Duty	6.8L; Crew Cab; 2-Piece Driveshaft; w/ 4.188" O.D. Yoke	J	5,7	5-160X*	5-1410-1X* 5-1410X**	
	F-250 Super Duty	5.4L; Extended Cab; 96.0" Bed; 2-Piece Driveshaft; w/ 3.625" O.D. Yoke	J	5,7,9	5-178X*	5-1350-1X* 5-1350X**	SPL30-1350XC**
	F-250 Super Duty	6.8L; Extended Cab; 96.0" Bed; 2-Piece Driveshaft; w/ 4.188" O.D. Yoke	J	5,7,9	5-160X*	5-1410-1X* 5-1410X**	
	F-250 Super Duty	5.4L; Extended Cab; 81.0" Bed; 2-Piece Driveshaft; w/ 3.625" O.D. Yoke	0	5,6,9	5-178X*	5-1350-1X* 5-1350X**	SPL30-1350XC**
	F-250 Super Duty	5.4L; Standard Cab; 2-Piece Driveshaft; w/ 3.625" O.D. Yoke	0	5,6,9	5-178X*	5-1350-1X* 5-1350X**	SPL30-1350XC**
	F-250 Super Duty	6.8L; Extended Cab; 81.0" Bed; 2-Piece Driveshaft; w/ 4.188" O.D. Yoke	0	9	5-160X*	5-1410-1X* 5-1410X**	
	F-250 Super Duty	6.8L; Standard Cab; 2-Piece Driveshaft; w/ 4.188" O.D. Yoke	0	9	5-160X*	5-1410-1X* 5-1410X**	
	2004	F-250 Super Duty	6.0L; Crew Cab; 1-Piece Driveshaft; w/ 3.625" O.D. Yoke	I	5	5-178X*	5-1350-1X* 5-1350X**
F-250 Super Duty		6.8L; Extended Cab; 96.0" Bed; 1-Piece Driveshaft; w/ 4.188" O.D. Yoke	I	5	5-160X*	5-1410-1X* 5-1410X**	
F-250 Super Duty		6.0L; Extended Cab; 96.0" Bed; 1-Piece Driveshaft; w/ 3.625" O.D. Yoke	I	5,9	5-178X*	5-1350-1X* 5-1350X**	SPL30-1350XC**
F-250 Super Duty		6.0L; Crew Cab; 2-Piece Driveshaft; w/ 3.625" O.D. Yoke	J	5,7	5-178X*	5-1350-1X* 5-1350X**	SPL30-1350XC**
F-250 Super Duty		6.0L; Extended Cab; 96.0" Bed; 2-Piece Driveshaft; w/ 3.625" O.D. Yoke	J	5,7,9	5-178X*	5-1350-1X* 5-1350X**	SPL30-1350XC**
F-250 Super Duty		6.0L; Extended Cab; 81.0" Bed; 2-Piece Driveshaft; w/ 3.625" O.D. Yoke	0	5,6,9	5-178X*	5-1350-1X* 5-1350X**	SPL30-1350XC**
F-250 Super Duty		6.0L; Standard Cab; 2-Piece Driveshaft; w/ 3.625" O.D. Yoke	0	5,6,9	5-178X*	5-1350-1X* 5-1350X**	SPL30-1350XC**
2005-2010	F-250 Super Duty	2-Piece Driveshaft; w/ Double Cardan CV Joint	0	5,6	5-178X*	5-1350-1X* 5-1350X**	SPL30-1350XC**
	F-250 Super Duty	2-Piece Driveshaft; w/ Double Cardan CV Joint	0	9	5-160X*	5-1410-1X* 5-1410X**	
2016	F-250 Super Duty	V8 6.2L; 1-Piece Driveshaft	I	1		SPL55-3X** SPL55-4X*	SPL55-1480XC**
	F-250 Super Duty	V8 6.7L; 1-Piece Driveshaft	I	1		SPL55-3X** SPL55-4X*	SPL55-1480XC**
	F-250 Super Duty	V8 6.2L; 1-Piece Driveshaft	I	2,5,9	5-160X*	5-1410-1X* 5-1410X**	
	F-250 Super Duty	V8 6.7L; 1-Piece Driveshaft	I	2,5,9	5-160X*	5-1410-1X* 5-1410X**	
	F-250 Super Duty	V8 6.2L; 2-Piece Driveshaft	J	1		SPL55-3X** SPL55-4X*	SPL55-1480XC**
	F-250 Super Duty	V8 6.7L; 2-Piece Driveshaft	J	1		SPL55-3X** SPL55-4X*	SPL55-1480XC**

\* GREASEABLE \*\* NON-GREASEABLE



**Ford (Cont'd)**

Year	Model	Description	Fig.	Location	Spicer Part #	SPL (Uncoated) Part #	SPL (Coated) Part #
2016	F-250 Super Duty	V8 6.2L; 2-Piece Driveshaft	J	2,5,7,9	5-160X*	5-1410-1X* 5-1410X**	
	F-250 Super Duty	V8 6.7L; 2-Piece Driveshaft	J	2,5,7,9	5-160X*	5-1410-1X* 5-1410X**	
2017	F-250 Super Duty	1-Piece Driveshaft	I	1		SPL55-3X** SPL55-4X*	SPL55-1480XC**
	F-250 Super Duty	1-Piece Driveshaft	I	2,5,9	5-160X*	5-1410-1X* 5-1410X**	
	F-250 Super Duty	2-Piece Driveshaft	J	1		SPL55-3X** SPL55-4X*	SPL55-1480XC**
	F-250 Super Duty	2-Piece Driveshaft	J	2,5,7,9	5-160X*	5-1410-1X* 5-1410X**	
1979	F-350		J	1		SPL55-3X** SPL55-4X*	SPL55-1480XC**
	F-350		J	2	5-1204X*	5-7438X**	
	F-350		J	3,4	5-213X*	5-1330-1X* 5-1330X**	
	F-350	Extended Cab	J	5	5-213X*	5-1330-1X* 5-1330X**	
	F-350	Standard Cab	J	5	5-213X*	5-1330-1X* 5-1330X**	
	F-350	Crew Cab	J	5,7	5-213X*	5-1330-1X* 5-1330X**	
	F-350	Crew Cab	J	9	5-1204X*	5-7438X**	
	F-350	Extended Cab	J	9	5-1204X*	5-7438X**	
1980-1981	F-350	w/ Inside Snap Rings	Y	1	5-3226X*	5-760X**	5-760X**
	F-350	w/ Outside Snap Rings	Y	1	5-178X*	5-1350-1X* 5-1350X**	SPL30-1350XC**
	F-350		Y	2	5-213X*	5-1330-1X* 5-1330X**	
	F-350		Y	3	5-1204X*	5-7438X**	
	F-350		Y	5	5-213X*	5-1330-1X* 5-1330X**	
	F-350		Y	9	5-1204X*	5-7438X**	
1982	F-350		Y	1	5-178X*	5-1350-1X* 5-1350X**	SPL30-1350XC**
	F-350		Y	2,3	5-1204X*	5-7438X**	
	F-350	Standard Cab	Y	5,9	5-1204X*	5-7438X**	
1983-1984	F-350	1-Piece Driveshaft	Y	1	5-178X*	5-1350-1X* 5-1350X**	SPL30-1350XC**

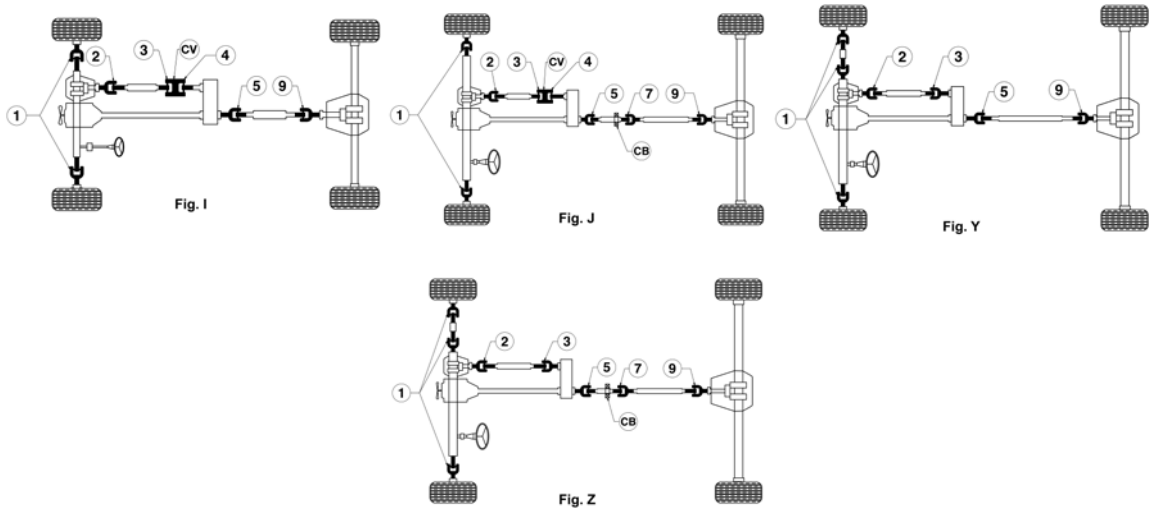
\* GREASEABLE \*\* NON-GREASEABLE

4 W D

**Ford (Cont'd)**

Year	Model	Description	Fig.	Location	Spicer Part #	SPL (Uncoated) Part #	SPL (Coated) Part #
1983-1984	F-350	1-Piece Driveshaft	Y	2,3	5-1204X*	5-7438X**	
	F-350	Crew Cab; 1-Piece Driveshaft	Y	5,9	5-1204X*	5-7438X**	
	F-350	Standard Cab; 1-Piece Driveshaft	Y	5,9	5-1204X*	5-7438X**	
	F-350	2-Piece Driveshaft	Z	1	5-178X*	5-1350-1X* 5-1350X**	SPL30-1350XC**
	F-350	2-Piece Driveshaft	Z	2,3	5-1204X*	5-7438X**	
	F-350	Crew Cab; 2-Piece Driveshaft	Z	5	5-1204X*	5-7438X**	
	F-350	Standard Cab; 2-Piece Driveshaft	Z	5,9	5-1204X*	5-7438X**	
	F-350	Crew Cab; 2-Piece Driveshaft	Z	7	5-213X*	5-1330-1X* 5-1330X**	
1985	F-350	Crew Cab; 2-Piece Driveshaft	Z	9	5-1204X*	5-7438X**	
	F-350	1-Piece Driveshaft; w/ 2-Joint Moonbeam Front Axle	I	1		SPL55-3X** SPL55-4X*	SPL55-1480XC**
	F-350	1-Piece Driveshaft; w/ 2-Joint Moonbeam Front Axle	I	2	5-1204X*	5-7438X**	
	F-350	1-Piece Driveshaft; w/ 2-Joint Moonbeam Front Axle	I	3,4	5-213X*	5-1330-1X* 5-1330X**	
	F-350	2-Piece Driveshaft; w/ 2-Joint Moonbeam Front Axle	J	1		SPL55-3X** SPL55-4X*	SPL55-1480XC**
	F-350	2-Piece Driveshaft; w/ 2-Joint Moonbeam Front Axle	J	2	5-1204X*	5-7438X**	
	F-350	2-Piece Driveshaft; w/ 2-Joint Moonbeam Front Axle	J	3,4	5-213X*	5-1330-1X* 5-1330X**	
	F-350	2-Piece Driveshaft; w/ 3-Joint IFS Front Axle	Z	1	5-178X*	5-1350-1X* 5-1350X**	SPL30-1350XC**
1985-1986	F-350	2-Piece Driveshaft; w/ 3-Joint IFS Front Axle	Z	2,3	5-1204X*	5-7438X**	
	F-350	Crew Cab; 1-Piece Driveshaft	I	5,9	5-1204X*	5-7438X**	
	F-350	Standard Cab; 1-Piece Driveshaft	I	5,9	5-1204X*	5-7438X**	
	F-350	Crew Cab; 2-Piece Driveshaft	J	5	5-1204X*	5-7438X**	
	F-350	Standard Cab; 2-Piece Driveshaft	J	5,9	5-1204X*	5-7438X**	
	F-350	Crew Cab; 2-Piece Driveshaft	J	7	5-213X*	5-1330-1X* 5-1330X**	
1986-1997	F-350	Crew Cab; 2-Piece Driveshaft	J	9	5-1204X*	5-7438X**	
	F-350	2-Piece Driveshaft	J	1		SPL55-3X** SPL55-4X*	SPL55-1480XC**
1987	F-350	Crew Cab; 3-Speed; 2-Piece Driveshaft; w/ Full Time Transfer Case	J	5	5-1204X*	5-7438X**	
	F-350	Crew Cab; 4-Speed; 2-Piece Driveshaft; w/ Full Time Transfer Case	J	5	5-1204X*	5-7438X**	
	F-350	Standard Cab; 3-Speed; 2-Piece Driveshaft; w/ Part Time Transfer Case	J	5	5-213X*	5-1330-1X* 5-1330X**	
	F-350	Standard Cab; 4-Speed; 2-Piece Driveshaft; w/ Part Time Transfer Case	J	5	5-213X*	5-1330-1X* 5-1330X**	
	F-350	Crew Cab; 3-Speed; 2-Piece Driveshaft; w/ Part Time Transfer Case	J	5,7	5-213X*	5-1330-1X* 5-1330X**	
	F-350	Crew Cab; 4-Speed; 2-Piece Driveshaft; w/ Part Time Transfer Case	J	5,7	5-213X*	5-1330-1X* 5-1330X**	
	F-350	Standard Trans; 5-Speed; 2-Piece Driveshaft	J	5,7,9	5-178X*	5-1350-1X* 5-1350X**	SPL30-1350XC**
	F-350	Standard Cab; 3-Speed; 2-Piece Driveshaft; w/ Full Time Transfer Case	J	5,9	5-1204X*	5-7438X**	
	F-350	Standard Cab; 4-Speed; 2-Piece Driveshaft; w/ Full Time Transfer Case	J	5,9	5-1204X*	5-7438X**	
	F-350	Crew Cab; 3-Speed; 2-Piece Driveshaft; w/ Full Time Transfer Case	J	7	5-213X*	5-1330-1X* 5-1330X**	
	F-350	Crew Cab; 4-Speed; 2-Piece Driveshaft; w/ Full Time Transfer Case	J	7	5-213X*	5-1330-1X* 5-1330X**	
	F-350	Crew Cab; 3-Speed; 2-Piece Driveshaft; w/ Full Time Transfer Case	J	9	5-1204X*	5-7438X**	
	F-350	Crew Cab; 3-Speed; 2-Piece Driveshaft; w/ Part Time Transfer Case	J	9	5-1204X*	5-7438X**	
	F-350	Crew Cab; 4-Speed; 2-Piece Driveshaft; w/ Full Time Transfer Case	J	9	5-1204X*	5-7438X**	

\* GREASEABLE \*\* NON-GREASEABLE



**Ford (Cont'd)**

Year	Model	Description	Fig.	Location	Spicer Part #	SPL (Uncoated) Part #	SPL (Coated) Part #
1987	F-350	Crew Cab; 4-Speed; 2-Piece Driveshaft; w/ Part Time Transfer Case	J	9	5-1204X*	5-7438X**	
	F-350	Standard Cab; 3-Speed; 2-Piece Driveshaft; w/ Part Time Transfer Case	J	9	5-1204X*	5-7438X**	
	F-350	Standard Cab; 4-Speed; 2-Piece Driveshaft; w/ Part Time Transfer Case	J	9	5-1204X*	5-7438X**	
1987-1993	F-350	2-Piece Driveshaft; w/ Ford Axle; w/ Outside Snap Rings	J	2	5-1204X*	5-7438X**	
	F-350	2-Piece Driveshaft; w/ Koyo CV; w/ Inside Snap Rings	J	2	5-1204X*	5-7438X**	
	F-350	2-Piece Driveshaft; w/ Koyo CV; w/ Inside Snap Rings; Front CV	J	3	5-3147X*	5-795X**	
	F-350	2-Piece Driveshaft; w/ Ford Axle; w/ Outside Snap Rings	J	3,4	5-213X*	5-1330-1X* 5-1330X**	
	F-350	2-Piece Driveshaft; w/ Koyo CV; w/ Inside Snap Rings; Rear CV	J	4	5-212X*	5-793X**	
1988	F-350	7.5L; 137.0" WB; Auto Trans; 1-Piece Driveshaft	I	5	5-213X*	5-1330-1X* 5-1330X**	
	F-350	155.0" WB; 1-Piece Driveshaft	I	5,9	5-178X*	5-1350-1X* 5-1350X**	SPL30-1350XC**
	F-350	7.5L; 137.0" WB; Standard Trans; 1-Piece Driveshaft	I	5,9	5-178X*	5-1350-1X* 5-1350X**	SPL30-1350XC**
	F-350	7.5L; 137.0" WB; Auto Trans; 1-Piece Driveshaft	I	9	5-1204X*	5-7438X**	
	F-350	7.5L; 137.0" WB; Auto Trans; 2-Piece Driveshaft	J	5	5-213X*	5-1330-1X* 5-1330X**	
	F-350	155.0" WB; 2-Piece Driveshaft	J	5,9	5-178X*	5-1350-1X* 5-1350X**	SPL30-1350XC**
	F-350	7.5L; 137.0" WB; Standard Trans; 2-Piece Driveshaft	J	5,9	5-178X*	5-1350-1X* 5-1350X**	SPL30-1350XC**
	F-350	7.5L; 137.0" WB; Auto Trans; 2-Piece Driveshaft	J	9	5-1204X*	5-7438X**	
1988-1989	F-350	160.8" WB; 1-Piece Driveshaft	I	5,9	5-178X*	5-1350-1X* 5-1350X**	SPL30-1350XC**
	F-350	160.8" WB; 2-Piece Driveshaft	J	5,7,9	5-178X*	5-1350-1X* 5-1350X**	SPL30-1350XC**
1988-1993	F-350	1-Piece Driveshaft; w/ Ford Axle; w/ Outside Snap Rings	I	2	5-1204X*	5-7438X**	
	F-350	1-Piece Driveshaft; w/ Koyo CV; w/ Inside Snap Rings	I	2	5-1204X*	5-7438X**	
	F-350	1-Piece Driveshaft; w/ Koyo CV; w/ Inside Snap Rings; Front CV	I	3	5-3147X*	5-795X**	

\* GREASEABLE \*\* NON-GREASEABLE

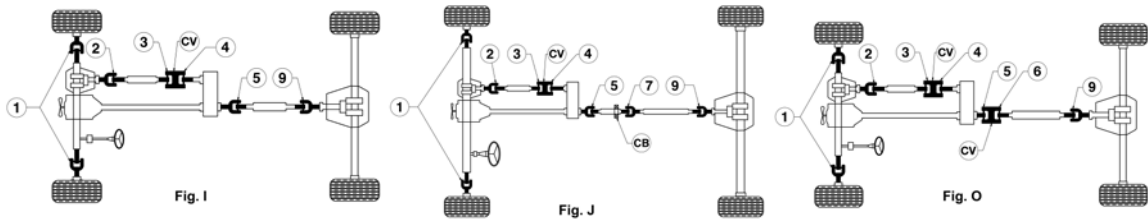
4  
W  
D

**Ford (Cont'd)**

Year	Model	Description	Fig.	Location	Spicer Part #	SPL (Uncoated) Part #	SPL (Coated) Part #
1988-1993	F-350	1-Piece Driveshaft; w/ Ford Axle; w/ Outside Snap Rings	I	3,4	5-213X*	5-1330-1X* 5-1330X**	
	F-350	1-Piece Driveshaft; w/ Koyo CV; w/ Inside Snap Rings; Rear CV	I	4	5-212X*	5-793X**	
	F-350	133.0" WB; Auto Trans; 1-Piece Driveshaft	I	5	5-213X*	5-1330-1X* 5-1330X**	
	F-350	5.8L; 133.0" WB; Standard Trans; 1-Piece Driveshaft	I	5	5-213X*	5-1330-1X* 5-1330X**	
	F-350	7.3L; 133.0" WB; Standard Trans; 1-Piece Driveshaft	I	5,9	5-178X*	5-1350-1X* 5-1350X**	SPL30-1350XC**
	F-350	7.5L; 133.0" WB; Standard Trans; 1-Piece Driveshaft	I	5,9	5-178X*	5-1350-1X* 5-1350X**	SPL30-1350XC**
	F-350	133.0" WB; Auto Trans; 1-Piece Driveshaft	I	9	5-1204X*	5-7438X**	
	F-350	5.8L; 133.0" WB; Standard Trans; 1-Piece Driveshaft	I	9	5-1204X*	5-7438X**	
	F-350	133.0" WB; Auto Trans; 2-Piece Driveshaft	J	5	5-213X*	5-1330-1X* 5-1330X**	
	F-350	5.8L; 133.0" WB; Standard Trans; 2-Piece Driveshaft	J	5	5-213X*	5-1330-1X* 5-1330X**	
	F-350	7.3L; 133.0" WB; Standard Trans; 2-Piece Driveshaft	J	5,9	5-178X*	5-1350-1X* 5-1350X**	SPL30-1350XC**
	F-350	7.5L; 133.0" WB; Standard Trans; 2-Piece Driveshaft	J	5,9	5-178X*	5-1350-1X* 5-1350X**	SPL30-1350XC**
	F-350	133.0" WB; Auto Trans; 2-Piece Driveshaft	J	9	5-1204X*	5-7438X**	
	F-350	5.8L; 133.0" WB; Standard Trans; 2-Piece Driveshaft	J	9	5-1204X*	5-7438X**	
1988-1997	F-350	1-Piece Driveshaft	I	1		SPL55-3X** SPL55-4X*	SPL55-1480XC**
	F-350	168.4" WB; 1-Piece Driveshaft	I	5,9	5-178X*	5-1350-1X* 5-1350X**	SPL30-1350XC**
	F-350	168.4" WB; 2-Piece Driveshaft	J	5,7,9	5-178X*	5-1350-1X* 5-1350X**	SPL30-1350XC**
1989	F-350	137.0" WB; Standard Trans; 5-Speed; 1-Piece Driveshaft	I	5	5-213X*	5-1330-1X* 5-1330X**	
	F-350	137.0" WB; 3-Speed; 1-Piece Driveshaft	I	5,9	5-178X*	5-1350-1X* 5-1350X**	SPL30-1350XC**
	F-350	137.0" WB; 4-Speed; 1-Piece Driveshaft	I	5,9	5-178X*	5-1350-1X* 5-1350X**	SPL30-1350XC**
	F-350	137.0" WB; Standard Trans; 5-Speed; 1-Piece Driveshaft; w/ H/D	I	9	5-1204X*	5-7438X**	
	F-350	137.0" WB; Standard Trans; 5-Speed; 2-Piece Driveshaft	J	5	5-213X*	5-1330-1X* 5-1330X**	
	F-350	137.0" WB; 3-Speed; 2-Piece Driveshaft	J	5,9	5-178X*	5-1350-1X* 5-1350X**	SPL30-1350XC**
	F-350	137.0" WB; 4-Speed; 2-Piece Driveshaft	J	5,9	5-178X*	5-1350-1X* 5-1350X**	SPL30-1350XC**
	F-350	137.0" WB; Standard Trans; 5-Speed; 2-Piece Driveshaft; w/ H/D	J	9	5-1204X*	5-7438X**	
1990-1997	F-350	137.0" WB; 1-Piece Driveshaft	I	5,9	5-178X*	5-1350-1X* 5-1350X**	SPL30-1350XC**
	F-350	137.0" WB; 2-Piece Driveshaft	J	5,9	5-178X*	5-1350-1X* 5-1350X**	SPL30-1350XC**
1994-1997	F-350	1-Piece Driveshaft	I	2	5-1204X*	5-7438X**	
	F-350	1-Piece Driveshaft	I	3,4	5-213X*	5-1330-1X* 5-1330X**	
	F-350	5.8L; 133.0" WB; 1-Piece Driveshaft	I	5	5-213X*	5-1330-1X* 5-1330X**	
	F-350	7.3L; 133.0" WB; 1-Piece Driveshaft	I	5,9	5-178X*	5-1350-1X* 5-1350X**	SPL30-1350XC**
	F-350	7.5L; 133.0" WB; 1-Piece Driveshaft	I	5,9	5-178X*	5-1350-1X* 5-1350X**	SPL30-1350XC**
	F-350	5.8L; 133.0" WB; 1-Piece Driveshaft	I	9	5-1204X*	5-7438X**	
	F-350	2-Piece Driveshaft	J	2	5-1204X*	5-7438X**	

\* GREASEABLE \*\* NON-GREASEABLE





**Ford (Cont'd)**

Year	Model	Description	Fig.	Location	Spicer Part #	SPL (Uncoated) Part #	SPL (Coated) Part #
1994-1997	F-350	2-Piece Driveshaft	J	3,4	5-213X*	5-1330-1X* 5-1330X**	
	F-350	5.8L; 133.0" WB; 2-Piece Driveshaft	J	5	5-213X*	5-1330-1X* 5-1330X**	
	F-350	7.3L; 133.0" WB; 2-Piece Driveshaft	J	5,9	5-178X*	5-1350-1X* 5-1350X**	SPL30-1350XC**
	F-350	7.5L; 133.0" WB; 2-Piece Driveshaft	J	5,9	5-178X*	5-1350-1X* 5-1350X**	SPL30-1350XC**
	F-350	5.8L; 133.0" WB; 2-Piece Driveshaft	J	9	5-1204X*	5-7438X**	
1999-2004	F-350 Super Duty	2-Piece Driveshaft; w/ 3.625" O.D. Yoke	J	2,3,4,5,7	5-178X*	5-1350-1X* 5-1350X**	SPL30-1350XC**
	F-350 Super Duty	2-Piece Driveshaft; w/ 4.188" O.D. Yoke	J	5,7	5-160X*	5-1410-1X* 5-1410X**	
	F-350 Super Duty	2-Piece Driveshaft; w/ 3.625" O.D. Yoke; w/o Double Cardan CV Joint	J	9	5-178X*	5-1350-1X* 5-1350X**	SPL30-1350XC**
	F-350 Super Duty	2-Piece Driveshaft; w/ 4.188" O.D. Yoke; w/o Double Cardan CV Joint	J	9	5-160X*	5-1410-1X* 5-1410X**	
	F-350 Super Duty	2-Piece Driveshaft; w/ 3.625" O.D. Yoke	O	5,6	5-178X*	5-1350-1X* 5-1350X**	SPL30-1350XC**
	F-350 Super Duty	2-Piece Driveshaft; w/ 4.188" O.D. Yoke	O	5,6	5-160X*	5-1410-1X* 5-1410X**	
	F-350 Super Duty	2-Piece Driveshaft; w/ 3.625" O.D. Yoke; w/ Double Cardan CV Joint	O	9	5-178X*	5-1350-1X* 5-1350X**	SPL30-1350XC**
	F-350 Super Duty	2-Piece Driveshaft; w/ 4.188" O.D. Yoke; w/ Double Cardan CV Joint	O	9	5-160X*	5-1410-1X* 5-1410X**	
2005	F-350 Super Duty	Cab & Chassis; 2-Piece Driveshaft; w/ 4.188" O.D. Yoke	J	5,9	5-160X*	5-1410-1X* 5-1410X**	
2005-2006	F-350 Super Duty	2-Piece Driveshaft	J	2	5-178X*	5-1350-1X* 5-1350X**	SPL30-1350XC**
	F-350 Super Duty	Extended Cab; 2-Piece Driveshaft; w/ 4.188" O.D. Yoke	J	5	5-160X*	5-1410-1X* 5-1410X**	
	F-350 Super Duty	Standard Cab; 2-Piece Driveshaft; w/ 4.188" O.D. Yoke	J	5	5-160X*	5-1410-1X* 5-1410X**	
	F-350 Super Duty	2-Piece Driveshaft; w/ 4.188" O.D. Yoke	J	7	5-160X*	5-1410-1X* 5-1410X**	
	F-350 Super Duty	Extended Cab; 2-Piece Driveshaft; w/ 4.188" O.D. Yoke; w/o Double Cardan CV Joint	J	9	5-160X*	5-1410-1X* 5-1410X**	
	F-350 Super Duty	Standard Cab; 2-Piece Driveshaft; w/ 4.188" O.D. Yoke; w/o Double Cardan CV Joint	J	9	5-160X*	5-1410-1X* 5-1410X**	
	F-350 Super Duty	Extended Cab; 2-Piece Driveshaft; w/ 3.625" O.D. Yoke	O	5,6	5-178X*	5-1350-1X* 5-1350X**	SPL30-1350XC**
	F-350 Super Duty	Standard Cab; 2-Piece Driveshaft; w/ 3.625" O.D. Yoke	O	5,6	5-178X*	5-1350-1X* 5-1350X**	SPL30-1350XC**
	F-350 Super Duty	Extended Cab; 2-Piece Driveshaft; w/ 4.188" O.D. Yoke; w/ Double Cardan CV Joint	O	9	5-160X*	5-1410-1X* 5-1410X**	
	F-350 Super Duty	Standard Cab; 2-Piece Driveshaft; w/ 4.188" O.D. Yoke; w/ Double Cardan CV Joint	O	9	5-160X*	5-1410-1X* 5-1410X**	
2005-2013	F-350 Super Duty	Crew Cab; 2-Piece Driveshaft; w/ 4.188" O.D. Yoke	J	5,9	5-160X*	5-1410-1X* 5-1410X**	
2007-2008	F-350 Super Duty	Cab & Chassis; 1-Piece Driveshaft	I	2	5-178X*	5-1350-1X* 5-1350X**	SPL30-1350XC**
	F-350 Super Duty	Crew Cab; 1-Piece Driveshaft	I	2	5-160X*	5-1410-1X* 5-1410X**	

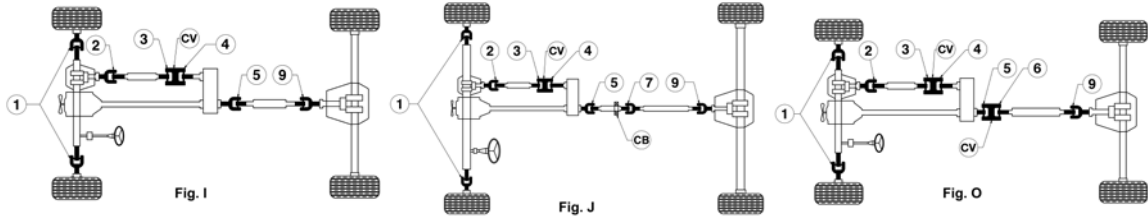
\* GREASEABLE \*\* NON-GREASEABLE

4  
W  
D

**Ford (Cont'd)**

Year	Model	Description	Fig.	Location	Spicer Part #	SPL (Uncoated) Part #	SPL (Coated) Part #
2007-2008	F-350 Super Duty	Extended Cab; 1-Piece Driveshaft	I	2	5-160X*	5-1410-1X* 5-1410X**	
	F-350 Super Duty	Standard Cab; 1-Piece Driveshaft	I	2	5-160X*	5-1410-1X* 5-1410X**	
	F-350 Super Duty	Cab & Chassis; 2-Piece Driveshaft	J	2	5-178X*	5-1350-1X* 5-1350X**	SPL30-1350XC**
	F-350 Super Duty	Crew Cab; 2-Piece Driveshaft	J	2	5-160X*	5-1410-1X* 5-1410X**	
	F-350 Super Duty	Extended Cab; 2-Piece Driveshaft	J	2	5-160X*	5-1410-1X* 5-1410X**	
	F-350 Super Duty	Standard Cab; 2-Piece Driveshaft	J	2	5-160X*	5-1410-1X* 5-1410X**	
2007-2013	F-350 Super Duty	1-Piece Driveshaft	I	1		SPL55-3X** SPL55-4X*	SPL55-1480XC**
	F-350 Super Duty	Cab & Chassis; 1-Piece Driveshaft; w/ 4.188" O.D. Yoke	I	5,9	5-188X*	SPL55-1X* SPL55X**	
	F-350 Super Duty	Crew Cab; 1-Piece Driveshaft; w/ 4.188" O.D. Yoke	I	5,9	5-160X*	5-1410-1X* 5-1410X**	
	F-350 Super Duty	Extended Cab; 1-Piece Driveshaft; w/ 4.188" O.D. Yoke	I	5,9	5-160X*	5-1410-1X* 5-1410X**	
	F-350 Super Duty	Standard Cab; 1-Piece Driveshaft; w/ 4.188" O.D. Yoke	I	5,9	5-160X*	5-1410-1X* 5-1410X**	
	F-350 Super Duty	Cab & Chassis; 2-Piece Driveshaft; w/ 4.188" O.D. Yoke	J	5,7,9	5-188X*	SPL55-1X* SPL55X**	
	F-350 Super Duty	Extended Cab; 2-Piece Driveshaft; w/ 4.188" O.D. Yoke	J	5,9	5-160X*	5-1410-1X* 5-1410X**	
	F-350 Super Duty	Standard Cab; 2-Piece Driveshaft; w/ 4.188" O.D. Yoke	J	5,9	5-160X*	5-1410-1X* 5-1410X**	
	F-350 Super Duty	Crew Cab; Extended Cab; Standard Cab; 2-Piece Driveshaft; w/ 4.188" O.D. Yoke	J	7	5-160X*	5-1410-1X* 5-1410X**	
	F-350 Super Duty	Crew Cab; 2-Piece Driveshaft; CV at Trans; w/ 3.625" O.D. Yoke	0	5,6	5-178X*	5-1350-1X* 5-1350X**	SPL30-1350XC**
	F-350 Super Duty	Extended Cab; 2-Piece Driveshaft; CV at Trans; w/ 3.625" O.D. Yoke	0	5,6	5-178X*	5-1350-1X* 5-1350X**	SPL30-1350XC**
	F-350 Super Duty	Standard Cab; 2-Piece Driveshaft; CV at Trans; w/ 3.625" O.D. Yoke	0	5,6	5-178X*	5-1350-1X* 5-1350X**	SPL30-1350XC**
	F-350 Super Duty	Crew Cab; 2-Piece Driveshaft; CV at Trans; w/ 4.188" O.D. Yoke	0	9	5-160X*	5-1410-1X* 5-1410X**	
	F-350 Super Duty	Extended Cab; 2-Piece Driveshaft; CV at Trans; w/ 4.188" O.D. Yoke	0	9	5-160X*	5-1410-1X* 5-1410X**	
	F-350 Super Duty	Standard Cab; 2-Piece Driveshaft; CV at Trans; w/ 4.188" O.D. Yoke	0	9	5-160X*	5-1410-1X* 5-1410X**	
	2009-2013	F-350 Super Duty	1-Piece Driveshaft	I	2	5-160X*	5-1410-1X* 5-1410X**
F-350 Super Duty		2-Piece Driveshaft	J	2	5-160X*	5-1410-1X* 5-1410X**	
2014	F-350 Super Duty	Platinum; 1-Piece Driveshaft; Dual Rear Wheels	I	5,9	5-160X*	5-1410-1X* 5-1410X**	
	F-350 Super Duty	XL; Crew Cab; 137.0" WB; 1-Piece Driveshaft; Dual Rear Wheels	I	5,9	5-160X*	5-1410-1X* 5-1410X**	
	F-350 Super Duty	XL; Extended Cab; 137.0" WB; 1-Piece Driveshaft; Dual Rear Wheels	I	5,9	5-160X*	5-1410-1X* 5-1410X**	
	F-350 Super Duty	XL; Standard Cab; 137.0" WB; 1-Piece Driveshaft; Dual Rear Wheels	I	5,9	5-160X*	5-1410-1X* 5-1410X**	
	F-350 Super Duty	XLT; Crew Cab; 137.0" WB; 1-Piece Driveshaft; Dual Rear Wheels	I	5,9	5-160X*	5-1410-1X* 5-1410X**	
	F-350 Super Duty	XLT; Extended Cab; 137.0" WB; 1-Piece Driveshaft; Dual Rear Wheels	I	5,9	5-160X*	5-1410-1X* 5-1410X**	
	F-350 Super Duty	XLT; Standard Cab; 137.0" WB; 1-Piece Driveshaft; Dual Rear Wheels	I	5,9	5-160X*	5-1410-1X* 5-1410X**	
	F-350 Super Duty	Exc. Cab & Chassis; 2-Piece Driveshaft	J	5,7,9	5-160X*	5-1410-1X* 5-1410X**	
	F-350 Super Duty	Platinum; 1-Piece Driveshaft; Single Rear Wheels	0	5,6	5-178X*	5-1350-1X* 5-1350X**	SPL30-1350XC**

\* GREASEABLE \*\* NON-GREASEABLE



**Ford (Cont'd)**

Year	Model	Description	Fig.	Location	Spicer Part #	SPL (Uncoated) Part #	SPL (Coated) Part #
2014	F-350 Super Duty	XL; Crew Cab; 137.0" WB; 1-Piece Driveshaft; Single Rear Wheels	0	5,6	5-178X*	5-1350-1X* 5-1350X**	SPL30-1350XC**
	F-350 Super Duty	XL; Crew Cab; 141.8" WB; 1-Piece Driveshaft	0	5,6	5-178X*	5-1350-1X* 5-1350X**	SPL30-1350XC**
	F-350 Super Duty	XL; Extended Cab; 137.0" WB; 1-Piece Driveshaft; Single Rear Wheels	0	5,6	5-178X*	5-1350-1X* 5-1350X**	SPL30-1350XC**
	F-350 Super Duty	XL; Extended Cab; 141.8" WB; 1-Piece Driveshaft	0	5,6	5-178X*	5-1350-1X* 5-1350X**	SPL30-1350XC**
	F-350 Super Duty	XL; Standard Cab; 137.0" WB; 1-Piece Driveshaft; Single Rear Wheels	0	5,6	5-178X*	5-1350-1X* 5-1350X**	SPL30-1350XC**
	F-350 Super Duty	XL; Standard Cab; 141.8" WB; 1-Piece Driveshaft	0	5,6	5-178X*	5-1350-1X* 5-1350X**	SPL30-1350XC**
	F-350 Super Duty	XLT; Crew Cab; 137.0" WB; 1-Piece Driveshaft; Single Rear Wheels	0	5,6	5-178X*	5-1350-1X* 5-1350X**	SPL30-1350XC**
	F-350 Super Duty	XLT; Crew Cab; 141.8" WB; 1-Piece Driveshaft	0	5,6	5-178X*	5-1350-1X* 5-1350X**	SPL30-1350XC**
	F-350 Super Duty	XLT; Extended Cab; 137.0" WB; 1-Piece Driveshaft; Single Rear Wheels	0	5,6	5-178X*	5-1350-1X* 5-1350X**	SPL30-1350XC**
	F-350 Super Duty	XLT; Extended Cab; 141.8" WB; 1-Piece Driveshaft	0	5,6	5-178X*	5-1350-1X* 5-1350X**	SPL30-1350XC**
	F-350 Super Duty	XLT; Standard Cab; 137.0" WB; 1-Piece Driveshaft; Single Rear Wheels	0	5,6	5-178X*	5-1350-1X* 5-1350X**	SPL30-1350XC**
	F-350 Super Duty	XLT; Standard Cab; 141.8" WB; 1-Piece Driveshaft	0	5,6	5-178X*	5-1350-1X* 5-1350X**	SPL30-1350XC**
	F-350 Super Duty	Platinum; 1-Piece Driveshaft; Single Rear Wheels	0	9	5-160X*	5-1410-1X* 5-1410X**	
	F-350 Super Duty	XL; Crew Cab; 137.0" WB; 1-Piece Driveshaft; Single Rear Wheels	0	9	5-160X*	5-1410-1X* 5-1410X**	
	F-350 Super Duty	XL; Crew Cab; 141.8" WB; 1-Piece Driveshaft	0	9	5-160X*	5-1410-1X* 5-1410X**	
	F-350 Super Duty	XL; Extended Cab; 137.0" WB; 1-Piece Driveshaft; Single Rear Wheels	0	9	5-160X*	5-1410-1X* 5-1410X**	
	F-350 Super Duty	XL; Extended Cab; 141.8" WB; 1-Piece Driveshaft	0	9	5-160X*	5-1410-1X* 5-1410X**	
	F-350 Super Duty	XL; Standard Cab; 137.0" WB; 1-Piece Driveshaft; Single Rear Wheels	0	9	5-160X*	5-1410-1X* 5-1410X**	
	F-350 Super Duty	XL; Standard Cab; 141.8" WB; 1-Piece Driveshaft	0	9	5-160X*	5-1410-1X* 5-1410X**	
	F-350 Super Duty	XLT; Crew Cab; 137.0" WB; 1-Piece Driveshaft; Single Rear Wheels	0	9	5-160X*	5-1410-1X* 5-1410X**	
F-350 Super Duty	XLT; Crew Cab; 141.8" WB; 1-Piece Driveshaft	0	9	5-160X*	5-1410-1X* 5-1410X**		
F-350 Super Duty	XLT; Extended Cab; 137.0" WB; 1-Piece Driveshaft; Single Rear Wheels	0	9	5-160X*	5-1410-1X* 5-1410X**		
F-350 Super Duty	XLT; Extended Cab; 141.8" WB; 1-Piece Driveshaft	0	9	5-160X*	5-1410-1X* 5-1410X**		
F-350 Super Duty	XLT; Standard Cab; 137.0" WB; 1-Piece Driveshaft; Single Rear Wheels	0	9	5-160X*	5-1410-1X* 5-1410X**		
F-350 Super Duty	XLT; Standard Cab; 141.8" WB; 1-Piece Driveshaft	0	9	5-160X*	5-1410-1X* 5-1410X**		
2014-2015	F-350 Super Duty	1-Piece Driveshaft	0	1		SPL55-3X** SPL55-4X*	SPL55-1480XC**

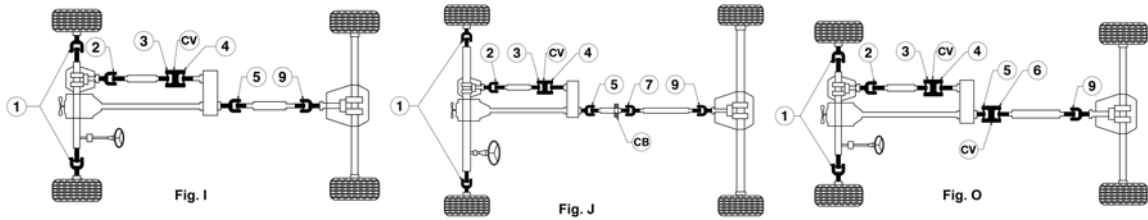
\* GREASEABLE \*\* NON-GREASEABLE

4  
W  
D

**Ford (Cont'd)**

Year	Model	Description	Fig.	Location	Spicer Part #	SPL (Uncoated) Part #	SPL (Coated) Part #
2014-2015	F-350 Super Duty	1-Piece Driveshaft	0	2	5-160X*	5-1410-1X* 5-1410X**	
2015	F-350 Super Duty	Platinum; Exc. Cab & Chassis; 1-Piece Driveshaft; Dual Rear Wheels	I	5	5-160X*	5-1410-1X* 5-1410X**	
	F-350 Super Duty	XL; Exc. Cab & Chassis; 137.0" WB; 1-Piece Driveshaft; Dual Rear Wheels	I	5	5-160X*	5-1410-1X* 5-1410X**	
	F-350 Super Duty	XLT; Exc. Cab & Chassis; 137.0" WB; 1-Piece Driveshaft; Dual Rear Wheels	I	5	5-160X*	5-1410-1X* 5-1410X**	
	F-350 Super Duty	Cab & Chassis; 1-Piece Driveshaft; Dual Rear Wheels	I	5,9	5-188X*	SPL55-1X* SPL55X**	
	F-350 Super Duty	King Ranch; Exc. Cab & Chassis; 2-Piece Driveshaft	J	9	5-160X*	5-1410-1X* 5-1410X**	
	F-350 Super Duty	Lariat; Exc. Cab & Chassis; 2-Piece Driveshaft	J	9	5-160X*	5-1410-1X* 5-1410X**	
	F-350 Super Duty	Platinum; Exc. Cab & Chassis; 2-Piece Driveshaft	J	9	5-160X*	5-1410-1X* 5-1410X**	
	F-350 Super Duty	XL; Exc. Cab & Chassis; 2-Piece Driveshaft	J	9	5-160X*	5-1410-1X* 5-1410X**	
	F-350 Super Duty	Lariat; Exc. Cab & Chassis; 1-Piece Driveshaft	0	5,6	5-178X*	5-1350-1X* 5-1350X**	SPL30-1350XC**
	F-350 Super Duty	Platinum; Exc. Cab & Chassis; 1-Piece Driveshaft; Dual Rear Wheels	0	5,6	5-178X*	5-1350-1X* 5-1350X**	SPL30-1350XC**
	F-350 Super Duty	XL; Exc. Cab & Chassis; 137.0" WB; 1-Piece Driveshaft; Dual Rear Wheels	0	5,6	5-178X*	5-1350-1X* 5-1350X**	SPL30-1350XC**
	F-350 Super Duty	XL; Exc. Cab & Chassis; 141.8" WB; 1-Piece Driveshaft	0	5,6	5-178X*	5-1350-1X* 5-1350X**	SPL30-1350XC**
	F-350 Super Duty	XLT; Exc. Cab & Chassis; 137.0" WB; 1-Piece Driveshaft; Dual Rear Wheels	0	5,6	5-178X*	5-1350-1X* 5-1350X**	SPL30-1350XC**
	F-350 Super Duty	XLT; Exc. Cab & Chassis; 141.8" WB; 1-Piece Driveshaft	0	5,6	5-178X*	5-1350-1X* 5-1350X**	SPL30-1350XC**
	F-350 Super Duty	Lariat; Exc. Cab & Chassis; 1-Piece Driveshaft	0	9	5-160X*	5-1410-1X* 5-1410X**	
	F-350 Super Duty	Platinum; Exc. Cab & Chassis; 1-Piece Driveshaft; Dual Rear Wheels	0	9	5-160X*	5-1410-1X* 5-1410X**	
F-350 Super Duty	XL; Exc. Cab & Chassis; 137.0" WB; 1-Piece Driveshaft; Dual Rear Wheels	0	9	5-160X*	5-1410-1X* 5-1410X**		
F-350 Super Duty	XL; Exc. Cab & Chassis; 141.8" WB; 1-Piece Driveshaft	0	9	5-160X*	5-1410-1X* 5-1410X**		
F-350 Super Duty	XLT; Exc. Cab & Chassis; 137.0" WB; 1-Piece Driveshaft; Dual Rear Wheels	0	9	5-160X*	5-1410-1X* 5-1410X**		
F-350 Super Duty	XLT; Exc. Cab & Chassis; 141.8" WB; 1-Piece Driveshaft	0	9	5-160X*	5-1410-1X* 5-1410X**		
2016	F-350 Super Duty	V8 6.2L; XL; Cab & Chassis; 1-Piece Driveshaft	I	2	5-160X*	5-1410-1X* 5-1410X**	
	F-350 Super Duty	V8 6.2L; XLT; Cab & Chassis; 1-Piece Driveshaft	I	2	5-160X*	5-1410-1X* 5-1410X**	
	F-350 Super Duty	V8 6.7L; XLT; Cab & Chassis; 1-Piece Driveshaft	I	2	5-160X*	5-1410-1X* 5-1410X**	
	F-350 Super Duty	V8 6.2L; Platinum; Crew Cab; 1-Piece Driveshaft; Dual Rear Wheels	I	5	5-160X*	5-1410-1X* 5-1410X**	
	F-350 Super Duty	V8 6.2L; XL; Crew Cab; 137.0" WB; 1-Piece Driveshaft; Dual Rear Wheels	I	5	5-160X*	5-1410-1X* 5-1410X**	
	F-350 Super Duty	V8 6.2L; XL; Extended Cab; 137.0" WB; 1-Piece Driveshaft; Dual Rear Wheels	I	5	5-160X*	5-1410-1X* 5-1410X**	
	F-350 Super Duty	V8 6.2L; XL; Standard Cab; 137.0" WB; 1-Piece Driveshaft; Dual Rear Wheels	I	5	5-160X*	5-1410-1X* 5-1410X**	
	F-350 Super Duty	V8 6.2L; XLT; Crew Cab; 137.0" WB; 1-Piece Driveshaft; Dual Rear Wheels	I	5	5-160X*	5-1410-1X* 5-1410X**	
	F-350 Super Duty	V8 6.2L; XLT; Extended Cab; 137.0" WB; 1-Piece Driveshaft; Dual Rear Wheels	I	5	5-160X*	5-1410-1X* 5-1410X**	
	F-350 Super Duty	V8 6.2L; XLT; Standard Cab; 137.0" WB; 1-Piece Driveshaft; Dual Rear Wheels	I	5	5-160X*	5-1410-1X* 5-1410X**	
	F-350 Super Duty	V8 6.7L; Platinum; Crew Cab; 1-Piece Driveshaft; Dual Rear Wheels	I	5	5-160X*	5-1410-1X* 5-1410X**	

\* GREASEABLE \*\* NON-GREASEABLE



**Ford (Cont'd)**

Year	Model	Description	Fig.	Location	Spicer Part #	SPL (Uncoated) Part #	SPL (Coated) Part #
2016	F-350 Super Duty	V8 6.7L; XL; Crew Cab; 137.0" WB; 1-Piece Driveshaft; Dual Rear Wheels	I	5	5-160X*	5-1410-1X* 5-1410X**	
	F-350 Super Duty	V8 6.7L; XL; Extended Cab; 137.0" WB; 1-Piece Driveshaft; Dual Rear Wheels	I	5	5-160X*	5-1410-1X* 5-1410X**	
	F-350 Super Duty	V8 6.7L; XL; Standard Cab; 137.0" WB; 1-Piece Driveshaft; Dual Rear Wheels	I	5	5-160X*	5-1410-1X* 5-1410X**	
	F-350 Super Duty	V8 6.7L; XLT; Crew Cab; 137.0" WB; 1-Piece Driveshaft; Dual Rear Wheels	I	5	5-160X*	5-1410-1X* 5-1410X**	
	F-350 Super Duty	V8 6.7L; XLT; Extended Cab; 137.0" WB; 1-Piece Driveshaft; Dual Rear Wheels	I	5	5-160X*	5-1410-1X* 5-1410X**	
	F-350 Super Duty	V8 6.7L; XLT; Standard Cab; 137.0" WB; 1-Piece Driveshaft; Dual Rear Wheels	I	5	5-160X*	5-1410-1X* 5-1410X**	
	F-350 Super Duty	V8 6.2L; XL; Cab & Chassis; 1-Piece Driveshaft; Dual Rear Wheels	I	5,9	5-188X*	SPL55-1X* SPL55X**	
	F-350 Super Duty	V8 6.2L; XLT; Cab & Chassis; 1-Piece Driveshaft; Dual Rear Wheels	I	5,9	5-188X*	SPL55-1X* SPL55X**	
	F-350 Super Duty	V8 6.7L; XL; Cab & Chassis; 1-Piece Driveshaft; Dual Rear Wheels	I	5,9	5-188X*	SPL55-1X* SPL55X**	
	F-350 Super Duty	V8 6.7L; XLT; Cab & Chassis; 1-Piece Driveshaft; Dual Rear Wheels	I	5,9	5-188X*	SPL55-1X* SPL55X**	
	F-350 Super Duty	V8 6.2L; 2-Piece Driveshaft	J	1		SPL55-3X** SPL55-4X*	SPL55-1480XC**
	F-350 Super Duty	V8 6.7L; 2-Piece Driveshaft	J	1		SPL55-3X** SPL55-4X*	SPL55-1480XC**
	F-350 Super Duty	V8 6.2L; Lariat; Cab & Chassis; 2-Piece Driveshaft	J	2	5-160X*	5-1410-1X* 5-1410X**	
	F-350 Super Duty	V8 6.2L; Platinum; Crew Cab; 2-Piece Driveshaft	J	2	5-178X*	5-1350-1X* 5-1350X**	SPL30-1350XC**
	F-350 Super Duty	V8 6.2L; XL; Cab & Chassis; 2-Piece Driveshaft	J	2	5-178X*	5-1350-1X* 5-1350X**	SPL30-1350XC**
	F-350 Super Duty	V8 6.2L; XL; Crew Cab; 2-Piece Driveshaft	J	2	5-178X*	5-1350-1X* 5-1350X**	SPL30-1350XC**
	F-350 Super Duty	V8 6.2L; XL; Extended Cab; 2-Piece Driveshaft	J	2	5-178X*	5-1350-1X* 5-1350X**	SPL30-1350XC**
	F-350 Super Duty	V8 6.2L; XL; Standard Cab; 2-Piece Driveshaft	J	2	5-178X*	5-1350-1X* 5-1350X**	SPL30-1350XC**
	F-350 Super Duty	V8 6.2L; XLT; Cab & Chassis; 2-Piece Driveshaft	J	2	5-160X*	5-1410-1X* 5-1410X**	
	F-350 Super Duty	V8 6.7L; Lariat; Cab & Chassis; 2-Piece Driveshaft	J	2	5-160X*	5-1410-1X* 5-1410X**	
	F-350 Super Duty	V8 6.7L; Platinum; Crew Cab; 2-Piece Driveshaft	J	2	5-178X*	5-1350-1X* 5-1350X**	SPL30-1350XC**
	F-350 Super Duty	V8 6.7L; XL; Cab & Chassis; 2-Piece Driveshaft	J	2	5-178X*	5-1350-1X* 5-1350X**	SPL30-1350XC**
	F-350 Super Duty	V8 6.7L; XL; Crew Cab; 2-Piece Driveshaft	J	2	5-178X*	5-1350-1X* 5-1350X**	SPL30-1350XC**
	F-350 Super Duty	V8 6.7L; XL; Extended Cab; 2-Piece Driveshaft	J	2	5-178X*	5-1350-1X* 5-1350X**	SPL30-1350XC**
	F-350 Super Duty	V8 6.7L; XL; Standard Cab; 2-Piece Driveshaft	J	2	5-178X*	5-1350-1X* 5-1350X**	SPL30-1350XC**
	F-350 Super Duty	V8 6.7L; XLT; Cab & Chassis; 2-Piece Driveshaft	J	2	5-160X*	5-1410-1X* 5-1410X**	

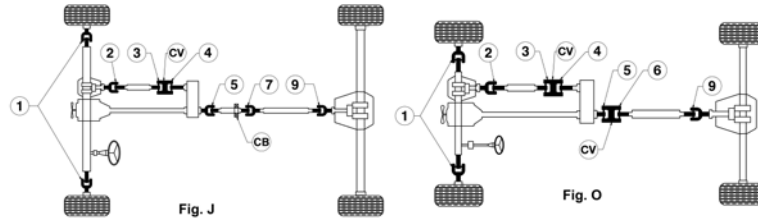
\* GREASEABLE \*\* NON-GREASEABLE

4  
W  
D

**Ford (Cont'd)**

Year	Model	Description	Fig.	Location	Spicer Part #	SPL (Uncoated) Part #	SPL (Coated) Part #
2016	F-350 Super Duty	V8 6.2L; King Ranch; Crew Cab; 2-Piece Driveshaft	J	2,5,7,9	5-160X*	5-1410-1X* 5-1410X**	
	F-350 Super Duty	V8 6.2L; Lariat; Crew Cab; 2-Piece Driveshaft	J	2,5,7,9	5-160X*	5-1410-1X* 5-1410X**	
	F-350 Super Duty	V8 6.2L; Lariat; Extended Cab; 2-Piece Driveshaft	J	2,5,7,9	5-160X*	5-1410-1X* 5-1410X**	
	F-350 Super Duty	V8 6.2L; XLT; Crew Cab; 2-Piece Driveshaft	J	2,5,7,9	5-160X*	5-1410-1X* 5-1410X**	
	F-350 Super Duty	V8 6.2L; XLT; Extended Cab; 2-Piece Driveshaft	J	2,5,7,9	5-160X*	5-1410-1X* 5-1410X**	
	F-350 Super Duty	V8 6.2L; XLT; Standard Cab; 2-Piece Driveshaft	J	2,5,7,9	5-160X*	5-1410-1X* 5-1410X**	
	F-350 Super Duty	V8 6.7L; King Ranch; Crew Cab; 2-Piece Driveshaft	J	2,5,7,9	5-160X*	5-1410-1X* 5-1410X**	
	F-350 Super Duty	V8 6.7L; Lariat; Crew Cab; 2-Piece Driveshaft	J	2,5,7,9	5-160X*	5-1410-1X* 5-1410X**	
	F-350 Super Duty	V8 6.7L; Lariat; Extended Cab; 2-Piece Driveshaft	J	2,5,7,9	5-160X*	5-1410-1X* 5-1410X**	
	F-350 Super Duty	V8 6.7L; XLT; Crew Cab; 2-Piece Driveshaft	J	2,5,7,9	5-160X*	5-1410-1X* 5-1410X**	
	F-350 Super Duty	V8 6.7L; XLT; Extended Cab; 2-Piece Driveshaft	J	2,5,7,9	5-160X*	5-1410-1X* 5-1410X**	
	F-350 Super Duty	V8 6.7L; XLT; Standard Cab; 2-Piece Driveshaft	J	2,5,7,9	5-160X*	5-1410-1X* 5-1410X**	
	F-350 Super Duty	V8 6.2L; Lariat; Cab & Chassis; 2-Piece Driveshaft	J	5,7,9	5-188X*	SPL55-1X* SPL55X**	
	F-350 Super Duty	V8 6.2L; Platinum; Crew Cab; 2-Piece Driveshaft	J	5,7,9	5-160X*	5-1410-1X* 5-1410X**	
	F-350 Super Duty	V8 6.2L; XL; Cab & Chassis; 2-Piece Driveshaft	J	5,7,9	5-188X*	SPL55-1X* SPL55X**	
	F-350 Super Duty	V8 6.2L; XL; Crew Cab; 2-Piece Driveshaft	J	5,7,9	5-160X*	5-1410-1X* 5-1410X**	
	F-350 Super Duty	V8 6.2L; XL; Extended Cab; 2-Piece Driveshaft	J	5,7,9	5-160X*	5-1410-1X* 5-1410X**	
	F-350 Super Duty	V8 6.2L; XL; Standard Cab; 2-Piece Driveshaft	J	5,7,9	5-160X*	5-1410-1X* 5-1410X**	
	F-350 Super Duty	V8 6.2L; XLT; Cab & Chassis; 2-Piece Driveshaft	J	5,7,9	5-188X*	SPL55-1X* SPL55X**	
	F-350 Super Duty	V8 6.7L; Lariat; Cab & Chassis; 2-Piece Driveshaft	J	5,7,9	5-188X*	SPL55-1X* SPL55X**	
	F-350 Super Duty	V8 6.7L; Platinum; Crew Cab; 2-Piece Driveshaft	J	5,7,9	5-160X*	5-1410-1X* 5-1410X**	
	F-350 Super Duty	V8 6.7L; XLT; Cab & Chassis; 2-Piece Driveshaft	J	5,7,9	5-188X*	SPL55-1X* SPL55X**	
	F-350 Super Duty	V8 6.7L; XL; Cab & Chassis; 2-Piece Driveshaft	J	7	5-188X*	SPL55-1X* SPL55X**	
	F-350 Super Duty	V8 6.7L; XL; Crew Cab; 2-Piece Driveshaft	J	7	5-160X*	5-1410-1X* 5-1410X**	
	F-350 Super Duty	V8 6.7L; XL; Extended Cab; 2-Piece Driveshaft	J	7	5-160X*	5-1410-1X* 5-1410X**	
	F-350 Super Duty	V8 6.7L; XL; Standard Cab; 2-Piece Driveshaft	J	7	5-160X*	5-1410-1X* 5-1410X**	
	F-350 Super Duty	V8 6.2L; 1-Piece Driveshaft	0	1		SPL55-3X** SPL55-4X*	SPL55-1480XC**
	F-350 Super Duty	V8 6.7L; 1-Piece Driveshaft	0	1		SPL55-3X** SPL55-4X*	SPL55-1480XC**
	F-350 Super Duty	V8 6.2L; Lariat; Crew Cab; 1-Piece Driveshaft	0	2	5-160X*	5-1410-1X* 5-1410X**	
	F-350 Super Duty	V8 6.2L; Lariat; Extended Cab; 1-Piece Driveshaft	0	2	5-160X*	5-1410-1X* 5-1410X**	
F-350 Super Duty	V8 6.2L; Platinum; Crew Cab; 1-Piece Driveshaft	0	2	5-160X*	5-1410-1X* 5-1410X**		
F-350 Super Duty	V8 6.2L; XL; Crew Cab; 1-Piece Driveshaft	0	2	5-160X*	5-1410-1X* 5-1410X**		

\* GREASEABLE \*\* NON-GREASEABLE



**Ford (Cont'd)**

Year	Model	Description	Fig.	Location	Spicer Part #	SPL (Uncoated) Part #	SPL (Coated) Part #
2016	F-350 Super Duty	V8 6.2L; XL; Extended Cab; 1-Piece Driveshaft	0	2	5-160X*	5-1410-1X* 5-1410X**	
	F-350 Super Duty	V8 6.2L; XL; Standard Cab; 1-Piece Driveshaft	0	2	5-160X*	5-1410-1X* 5-1410X**	
	F-350 Super Duty	V8 6.2L; XLT; Crew Cab; 1-Piece Driveshaft	0	2	5-160X*	5-1410-1X* 5-1410X**	
	F-350 Super Duty	V8 6.2L; XLT; Extended Cab; 1-Piece Driveshaft	0	2	5-160X*	5-1410-1X* 5-1410X**	
	F-350 Super Duty	V8 6.2L; XLT; Standard Cab; 1-Piece Driveshaft	0	2	5-160X*	5-1410-1X* 5-1410X**	
	F-350 Super Duty	V8 6.7L; Lariat; Crew Cab; 1-Piece Driveshaft	0	2	5-160X*	5-1410-1X* 5-1410X**	
	F-350 Super Duty	V8 6.7L; Lariat; Extended Cab; 1-Piece Driveshaft	0	2	5-160X*	5-1410-1X* 5-1410X**	
	F-350 Super Duty	V8 6.7L; Platinum; Crew Cab; 1-Piece Driveshaft	0	2	5-160X*	5-1410-1X* 5-1410X**	
	F-350 Super Duty	V8 6.7L; XLT; Crew Cab; 1-Piece Driveshaft	0	2	5-160X*	5-1410-1X* 5-1410X**	
	F-350 Super Duty	V8 6.7L; XLT; Extended Cab; 1-Piece Driveshaft	0	2	5-160X*	5-1410-1X* 5-1410X**	
	F-350 Super Duty	V8 6.7L; XLT; Standard Cab; 1-Piece Driveshaft	0	2	5-160X*	5-1410-1X* 5-1410X**	
	F-350 Super Duty	V8 6.2L; Lariat; Crew Cab; 1-Piece Driveshaft	0	5,6	5-178X*	5-1350-1X* 5-1350X**	SPL30-1350XC**
	F-350 Super Duty	V8 6.2L; Lariat; Extended Cab; 1-Piece Driveshaft	0	5,6	5-178X*	5-1350-1X* 5-1350X**	SPL30-1350XC**
	F-350 Super Duty	V8 6.2L; Platinum; Crew Cab; 1-Piece Driveshaft; Dual Rear Wheels	0	5,6	5-178X*	5-1350-1X* 5-1350X**	SPL30-1350XC**
	F-350 Super Duty	V8 6.2L; XL; Crew Cab; 137.0" WB; 1-Piece Driveshaft; Dual Rear Wheels	0	5,6	5-178X*	5-1350-1X* 5-1350X**	SPL30-1350XC**
	F-350 Super Duty	V8 6.2L; XL; Crew Cab; 141.8" WB; 1-Piece Driveshaft	0	5,6	5-178X*	5-1350-1X* 5-1350X**	SPL30-1350XC**
	F-350 Super Duty	V8 6.2L; XL; Extended Cab; 137.0" WB; 1-Piece Driveshaft; Dual Rear Wheels	0	5,6	5-178X*	5-1350-1X* 5-1350X**	SPL30-1350XC**
	F-350 Super Duty	V8 6.2L; XL; Extended Cab; 141.8" WB; 1-Piece Driveshaft	0	5,6	5-178X*	5-1350-1X* 5-1350X**	SPL30-1350XC**
	F-350 Super Duty	V8 6.2L; XL; Standard Cab; 137.0" WB; 1-Piece Driveshaft; Dual Rear Wheels	0	5,6	5-178X*	5-1350-1X* 5-1350X**	SPL30-1350XC**
	F-350 Super Duty	V8 6.2L; XL; Standard Cab; 141.8" WB; 1-Piece Driveshaft	0	5,6	5-178X*	5-1350-1X* 5-1350X**	SPL30-1350XC**
	F-350 Super Duty	V8 6.2L; XLT; Crew Cab; 137.0" WB; 1-Piece Driveshaft; Dual Rear Wheels	0	5,6	5-178X*	5-1350-1X* 5-1350X**	SPL30-1350XC**
	F-350 Super Duty	V8 6.2L; XLT; Crew Cab; 141.8" WB; 1-Piece Driveshaft	0	5,6	5-178X*	5-1350-1X* 5-1350X**	SPL30-1350XC**
	F-350 Super Duty	V8 6.2L; XLT; Extended Cab; 137.0" WB; 1-Piece Driveshaft; Dual Rear Wheels	0	5,6	5-178X*	5-1350-1X* 5-1350X**	SPL30-1350XC**
	F-350 Super Duty	V8 6.2L; XLT; Extended Cab; 141.8" WB; 1-Piece Driveshaft	0	5,6	5-178X*	5-1350-1X* 5-1350X**	SPL30-1350XC**
	F-350 Super Duty	V8 6.2L; XLT; Standard Cab; 137.0" WB; 1-Piece Driveshaft; Dual Rear Wheels	0	5,6	5-178X*	5-1350-1X* 5-1350X**	SPL30-1350XC**
	F-350 Super Duty	V8 6.2L; XLT; Standard Cab; 141.8" WB; 1-Piece Driveshaft	0	5,6	5-178X*	5-1350-1X* 5-1350X**	SPL30-1350XC**

\* GREASEABLE \*\* NON-GREASEABLE

4  
W  
D

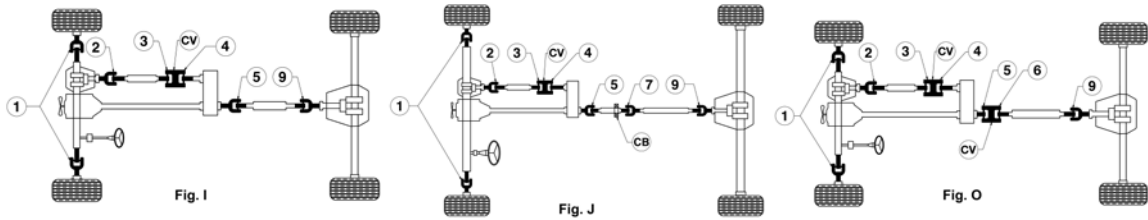
**Ford (Cont'd)**

Year	Model	Description	Fig.	Location	Spicer Part #	SPL (Uncoated) Part #	SPL (Coated) Part #
2016	F-350 Super Duty	V8 6.7L; Lariat; Crew Cab; 1-Piece Driveshaft	0	5,6	5-178X*	5-1350-1X* 5-1350X**	SPL30-1350XC**
	F-350 Super Duty	V8 6.7L; Lariat; Extended Cab; 1-Piece Driveshaft	0	5,6	5-178X*	5-1350-1X* 5-1350X**	SPL30-1350XC**
	F-350 Super Duty	V8 6.7L; Platinum; Crew Cab; 1-Piece Driveshaft; Dual Rear Wheels	0	5,6	5-178X*	5-1350-1X* 5-1350X**	SPL30-1350XC**
	F-350 Super Duty	V8 6.7L; XL; Crew Cab; 137.0" WB; 1-Piece Driveshaft; Dual Rear Wheels	0	5,6	5-178X*	5-1350-1X* 5-1350X**	SPL30-1350XC**
	F-350 Super Duty	V8 6.7L; XL; Crew Cab; 141.8" WB; 1-Piece Driveshaft	0	5,6	5-178X*	5-1350-1X* 5-1350X**	SPL30-1350XC**
	F-350 Super Duty	V8 6.7L; XL; Extended Cab; 137.0" WB; 1-Piece Driveshaft; Dual Rear Wheels	0	5,6	5-178X*	5-1350-1X* 5-1350X**	SPL30-1350XC**
	F-350 Super Duty	V8 6.7L; XL; Extended Cab; 141.8" WB; 1-Piece Driveshaft	0	5,6	5-178X*	5-1350-1X* 5-1350X**	SPL30-1350XC**
	F-350 Super Duty	V8 6.7L; XL; Standard Cab; 137.0" WB; 1-Piece Driveshaft; Dual Rear Wheels	0	5,6	5-178X*	5-1350-1X* 5-1350X**	SPL30-1350XC**
	F-350 Super Duty	V8 6.7L; XL; Standard Cab; 141.8" WB; 1-Piece Driveshaft	0	5,6	5-178X*	5-1350-1X* 5-1350X**	SPL30-1350XC**
	F-350 Super Duty	V8 6.7L; XLT; Crew Cab; 137.0" WB; 1-Piece Driveshaft; Dual Rear Wheels	0	5,6	5-178X*	5-1350-1X* 5-1350X**	SPL30-1350XC**
	F-350 Super Duty	V8 6.7L; XLT; Crew Cab; 141.8" WB; 1-Piece Driveshaft	0	5,6	5-178X*	5-1350-1X* 5-1350X**	SPL30-1350XC**
	F-350 Super Duty	V8 6.7L; XLT; Extended Cab; 137.0" WB; 1-Piece Driveshaft; Dual Rear Wheels	0	5,6	5-178X*	5-1350-1X* 5-1350X**	SPL30-1350XC**
	F-350 Super Duty	V8 6.7L; XLT; Extended Cab; 141.8" WB; 1-Piece Driveshaft	0	5,6	5-178X*	5-1350-1X* 5-1350X**	SPL30-1350XC**
	F-350 Super Duty	V8 6.7L; XLT; Standard Cab; 137.0" WB; 1-Piece Driveshaft; Dual Rear Wheels	0	5,6	5-178X*	5-1350-1X* 5-1350X**	SPL30-1350XC**
	F-350 Super Duty	V8 6.7L; XLT; Standard Cab; 141.8" WB; 1-Piece Driveshaft	0	5,6	5-178X*	5-1350-1X* 5-1350X**	SPL30-1350XC**
	F-350 Super Duty	V8 6.2L; Lariat; Crew Cab; 1-Piece Driveshaft	0	9	5-160X*	5-1410-1X* 5-1410X**	
	F-350 Super Duty	V8 6.2L; Lariat; Extended Cab; 1-Piece Driveshaft	0	9	5-160X*	5-1410-1X* 5-1410X**	
	F-350 Super Duty	V8 6.2L; Platinum; Crew Cab; 1-Piece Driveshaft; Dual Rear Wheels	0	9	5-160X*	5-1410-1X* 5-1410X**	
	F-350 Super Duty	V8 6.2L; XL; Crew Cab; 137.0" WB; 1-Piece Driveshaft; Dual Rear Wheels	0	9	5-160X*	5-1410-1X* 5-1410X**	
	F-350 Super Duty	V8 6.2L; XL; Crew Cab; 141.8" WB; 1-Piece Driveshaft	0	9	5-160X*	5-1410-1X* 5-1410X**	
	F-350 Super Duty	V8 6.2L; XL; Extended Cab; 137.0" WB; 1-Piece Driveshaft; Dual Rear Wheels	0	9	5-160X*	5-1410-1X* 5-1410X**	
	F-350 Super Duty	V8 6.2L; XL; Extended Cab; 141.8" WB; 1-Piece Driveshaft	0	9	5-160X*	5-1410-1X* 5-1410X**	
	F-350 Super Duty	V8 6.2L; XL; Standard Cab; 137.0" WB; 1-Piece Driveshaft; Dual Rear Wheels	0	9	5-160X*	5-1410-1X* 5-1410X**	
	F-350 Super Duty	V8 6.2L; XL; Standard Cab; 141.8" WB; 1-Piece Driveshaft	0	9	5-160X*	5-1410-1X* 5-1410X**	
	F-350 Super Duty	V8 6.2L; XLT; Crew Cab; 137.0" WB; 1-Piece Driveshaft; Dual Rear Wheels	0	9	5-160X*	5-1410-1X* 5-1410X**	
	F-350 Super Duty	V8 6.2L; XLT; Crew Cab; 141.8" WB; 1-Piece Driveshaft	0	9	5-160X*	5-1410-1X* 5-1410X**	
	F-350 Super Duty	V8 6.2L; XLT; Extended Cab; 137.0" WB; 1-Piece Driveshaft; Dual Rear Wheels	0	9	5-160X*	5-1410-1X* 5-1410X**	
	F-350 Super Duty	V8 6.2L; XLT; Extended Cab; 141.8" WB; 1-Piece Driveshaft	0	9	5-160X*	5-1410-1X* 5-1410X**	
	F-350 Super Duty	V8 6.2L; XLT; Standard Cab; 137.0" WB; 1-Piece Driveshaft; Dual Rear Wheels	0	9	5-160X*	5-1410-1X* 5-1410X**	
	F-350 Super Duty	V8 6.2L; XLT; Standard Cab; 141.8" WB; 1-Piece Driveshaft	0	9	5-160X*	5-1410-1X* 5-1410X**	
	F-350 Super Duty	V8 6.7L; Lariat; Crew Cab; 1-Piece Driveshaft	0	9	5-160X*	5-1410-1X* 5-1410X**	
	F-350 Super Duty	V8 6.7L; Lariat; Extended Cab; 1-Piece Driveshaft	0	9	5-160X*	5-1410-1X* 5-1410X**	

\* GREASEABLE \*\* NON-GREASEABLE

4  
W  
D





**Ford (Cont'd)**

Year	Model	Description	Fig.	Location	Spicer Part #	SPL (Uncoated) Part #	SPL (Coated) Part #
2016	F-350 Super Duty	V8 6.7L; Platinum; Crew Cab; 1-Piece Driveshaft; Dual Rear Wheels	0	9	5-160X*	5-1410-1X* 5-1410X**	
	F-350 Super Duty	V8 6.7L; XL; Crew Cab; 137.0" WB; 1-Piece Driveshaft; Dual Rear Wheels	0	9	5-160X*	5-1410-1X* 5-1410X**	
	F-350 Super Duty	V8 6.7L; XL; Crew Cab; 141.8" WB; 1-Piece Driveshaft	0	9	5-160X*	5-1410-1X* 5-1410X**	
	F-350 Super Duty	V8 6.7L; XL; Extended Cab; 137.0" WB; 1-Piece Driveshaft; Dual Rear Wheels	0	9	5-160X*	5-1410-1X* 5-1410X**	
	F-350 Super Duty	V8 6.7L; XL; Extended Cab; 141.8" WB; 1-Piece Driveshaft	0	9	5-160X*	5-1410-1X* 5-1410X**	
	F-350 Super Duty	V8 6.7L; XL; Standard Cab; 137.0" WB; 1-Piece Driveshaft; Dual Rear Wheels	0	9	5-160X*	5-1410-1X* 5-1410X**	
	F-350 Super Duty	V8 6.7L; XL; Standard Cab; 141.8" WB; 1-Piece Driveshaft	0	9	5-160X*	5-1410-1X* 5-1410X**	
	F-350 Super Duty	V8 6.7L; XLT; Crew Cab; 137.0" WB; 1-Piece Driveshaft; Dual Rear Wheels	0	9	5-160X*	5-1410-1X* 5-1410X**	
	F-350 Super Duty	V8 6.7L; XLT; Crew Cab; 141.8" WB; 1-Piece Driveshaft	0	9	5-160X*	5-1410-1X* 5-1410X**	
	F-350 Super Duty	V8 6.7L; XLT; Extended Cab; 137.0" WB; 1-Piece Driveshaft; Dual Rear Wheels	0	9	5-160X*	5-1410-1X* 5-1410X**	
	F-350 Super Duty	V8 6.7L; XLT; Extended Cab; 141.8" WB; 1-Piece Driveshaft	0	9	5-160X*	5-1410-1X* 5-1410X**	
	F-350 Super Duty	V8 6.7L; XLT; Standard Cab; 137.0" WB; 1-Piece Driveshaft; Dual Rear Wheels	0	9	5-160X*	5-1410-1X* 5-1410X**	
	F-350 Super Duty	V8 6.7L; XLT; Standard Cab; 141.8" WB; 1-Piece Driveshaft	0	9	5-160X*	5-1410-1X* 5-1410X**	
2017	F-350 Super Duty	Platinum; Crew Cab; 1-Piece Driveshaft; Dual Rear Wheels	I	5	5-160X*	5-1410-1X* 5-1410X**	
	F-350 Super Duty	XL; Cab & Chassis; 1-Piece Driveshaft; Dual Rear Wheels	I	5,9	5-188X*	SPL55-1X* SPL55X**	
	F-350 Super Duty	XLT; Cab & Chassis; 1-Piece Driveshaft; Dual Rear Wheels	I	5,9	5-188X*	SPL55-1X* SPL55X**	
	F-350 Super Duty	2-Piece Driveshaft	J	1		SPL55-3X** SPL55-4X*	SPL55-1480XC**
	F-350 Super Duty	King Ranch; 2-Piece Driveshaft	J	2	5-160X*	5-1410-1X* 5-1410X**	
	F-350 Super Duty	Lariat; 2-Piece Driveshaft	J	2	5-160X*	5-1410-1X* 5-1410X**	
	F-350 Super Duty	Platinum; 2-Piece Driveshaft	J	2	5-178X*	5-1350-1X* 5-1350X**	SPL30-1350XC**
	F-350 Super Duty	XL; 2-Piece Driveshaft	J	2	5-178X*	5-1350-1X* 5-1350X**	SPL30-1350XC**
	F-350 Super Duty	XLT; 2-Piece Driveshaft	J	2	5-160X*	5-1410-1X* 5-1410X**	
	F-350 Super Duty	Exc. Cab & Chassis; 2-Piece Driveshaft	J	5,7	5-160X*	5-1410-1X* 5-1410X**	
	F-350 Super Duty	Cab & Chassis; 2-Piece Driveshaft	J	5,7,9	5-188X*	SPL55-1X* SPL55X**	
	F-350 Super Duty	Exc. XLT; Exc. Cab & Chassis; 2-Piece Driveshaft	J	9	5-160X*	5-1410-1X* 5-1410X**	
	F-350 Super Duty	XLT; Exc. Cab & Chassis; 2-Piece Driveshaft	J	9	5-160X*	5-1410-1X* 5-1410X**	
	F-350 Super Duty	1-Piece Driveshaft	0	1		SPL55-4X*	

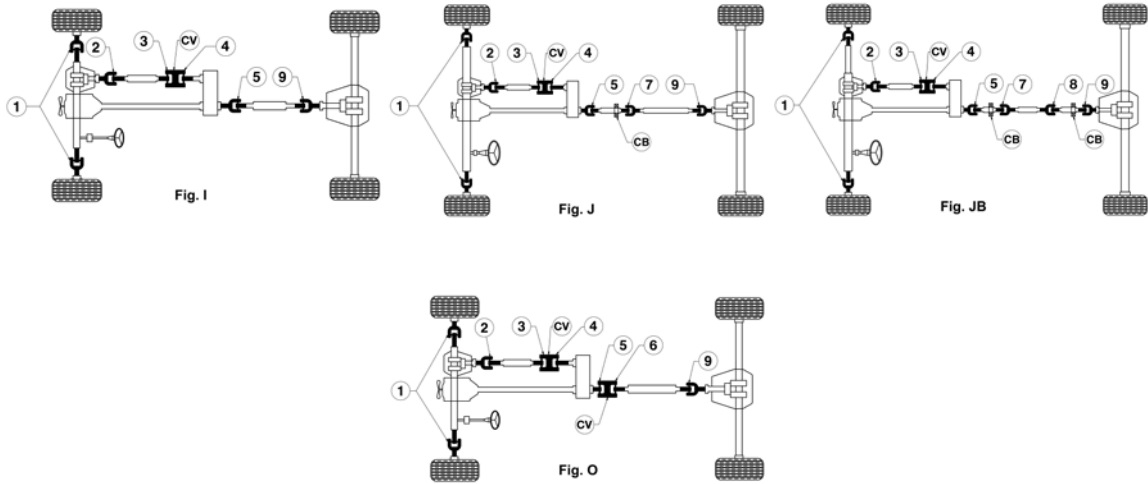
\* GREASEABLE \*\* NON-GREASEABLE

4  
W  
D

**Ford (Cont'd)**

Year	Model	Description	Fig.	Location	Spicer Part #	SPL (Uncoated) Part #	SPL (Coated) Part #
2017	F-350 Super Duty	Lariat; 1-Piece Driveshaft	0	1		SPL55-3X**	SPL55-1480XC**
	F-350 Super Duty	Platinum; 1-Piece Driveshaft	0	1		SPL55-3X**	SPL55-1480XC**
	F-350 Super Duty	XL; 1-Piece Driveshaft	0	1		SPL55-3X**	SPL55-1480XC**
	F-350 Super Duty	XLT; 1-Piece Driveshaft	0	1		SPL55-3X**	SPL55-1480XC**
	F-350 Super Duty	Lariat; 1-Piece Driveshaft	0	2	5-160X*	5-1410-1X* 5-1410X**	
	F-350 Super Duty	Platinum; 1-Piece Driveshaft	0	2	5-160X*	5-1410-1X* 5-1410X**	
	F-350 Super Duty	XL; 1-Piece Driveshaft	0	2	5-160X*	5-1410-1X* 5-1410X**	
	F-350 Super Duty	XLT; 1-Piece Driveshaft	0	2	5-160X*	5-1410-1X* 5-1410X**	
	F-350 Super Duty	Lariat; Crew Cab; 1-Piece Driveshaft	0	5,6	5-178X*	5-1350-1X* 5-1350X**	SPL30-1350XC**
	F-350 Super Duty	Lariat; Extended Cab; 1-Piece Driveshaft	0	5,6	5-178X*	5-1350-1X* 5-1350X**	SPL30-1350XC**
	F-350 Super Duty	Platinum; Crew Cab; 1-Piece Driveshaft; Dual Rear Wheels	0	5,6	5-178X*	5-1350-1X* 5-1350X**	SPL30-1350XC**
	F-350 Super Duty	Lariat; Crew Cab; 1-Piece Driveshaft	0	9	5-160X*	5-1410-1X* 5-1410X**	
	F-350 Super Duty	Lariat; Extended Cab; 1-Piece Driveshaft	0	9	5-160X*	5-1410-1X* 5-1410X**	
	F-350 Super Duty	Platinum; Crew Cab; 1-Piece Driveshaft; Dual Rear Wheels	0	9	5-160X*	5-1410-1X* 5-1410X**	
1999-2004	F-450 Super Duty	1-Piece Driveshaft	I	1		SPL55-3X** SPL55-4X*	SPL55-1480XC**
	F-450 Super Duty	1-Piece Driveshaft	I	2,3,4	5-178X*	5-1350-1X* 5-1350X**	SPL30-1350XC**
	F-450 Super Duty	2-Piece Driveshaft	J	1		SPL55-3X** SPL55-4X*	SPL55-1480XC**
	F-450 Super Duty	2-Piece Driveshaft	J	2,3,4	5-178X*	5-1350-1X* 5-1350X**	SPL30-1350XC**
1999-2017	F-450 Super Duty	1-Piece Driveshaft	I	5,9	5-188X*	SPL55-1X* SPL55X**	
	F-450 Super Duty	2-Piece Driveshaft	J	5,7,9	5-188X*	SPL55-1X* SPL55X**	
2000-2004	F-450 Super Duty	3-Piece Driveshaft	JB	1		SPL55-3X** SPL55-4X*	SPL55-1480XC**
	F-450 Super Duty	3-Piece Driveshaft	JB	2,3,4	5-178X*	5-1350-1X* 5-1350X**	SPL30-1350XC**
2000-2017	F-450 Super Duty	3-Piece Driveshaft	JB	5,7,8,9	5-188X*	SPL55-1X* SPL55X**	
2005-2008	F-450 Super Duty	1-Piece Driveshaft	I	2	5-178X*	5-1350-1X* 5-1350X**	SPL30-1350XC**
	F-450 Super Duty	2-Piece Driveshaft	J	2	5-178X*	5-1350-1X* 5-1350X**	SPL30-1350XC**
	F-450 Super Duty	3-Piece Driveshaft	JB	2	5-178X*	5-1350-1X* 5-1350X**	SPL30-1350XC**
2005-2017	F-450 Super Duty	1-Piece Driveshaft	I	1		SPL70-4X*	SPL70-1550XC**
	F-450 Super Duty	2-Piece Driveshaft	J	1		SPL70-4X*	SPL70-1550XC**
	F-450 Super Duty	3-Piece Driveshaft	JB	1		SPL70-4X*	SPL70-1550XC**
2010	F-450 Super Duty	V10 6.8L; 1-Piece Driveshaft	I	2	5-160X*	5-1410-1X* 5-1410X**	
	F-450 Super Duty	V8 6.4L; 1-Piece Driveshaft	I	2	5-160X*	5-1410-1X* 5-1410X**	
	F-450 Super Duty	V10 6.8L; 2-Piece Driveshaft	J	2	5-160X*	5-1410-1X* 5-1410X**	
	F-450 Super Duty	V8 6.4L; 2-Piece Driveshaft	J	2	5-160X*	5-1410-1X* 5-1410X**	
	F-450 Super Duty	V10 6.8L; 3-Piece Driveshaft	JB	2	5-160X*	5-1410-1X* 5-1410X**	
	F-450 Super Duty	V8 6.4L; 3-Piece Driveshaft	JB	2	5-160X*	5-1410-1X* 5-1410X**	

\* GREASEABLE \*\* NON-GREASEABLE



**Ford (Cont'd)**

Year	Model	Description	Fig.	Location	Spicer Part #	SPL (Uncoated) Part #	SPL (Coated) Part #
2011-2017	F-450 Super Duty	1-Piece Driveshaft	I	2	5-160X*	5-1410-1X* 5-1410X**	
	F-450 Super Duty	2-Piece Driveshaft	J	2	5-160X*	5-1410-1X* 5-1410X**	
	F-450 Super Duty	3-Piece Driveshaft	JB	2	5-160X*	5-1410-1X* 5-1410X**	
1999-2004	F-550 Super Duty	1-Piece Driveshaft	I	1		SPL55-3X** SPL55-4X*	SPL55-1480XC**
	F-550 Super Duty	2-Piece Driveshaft	J	1		SPL55-3X** SPL55-4X*	SPL55-1480XC**
1999-2017	F-550 Super Duty	1-Piece Driveshaft	I	5,9	5-188X*	SPL55-1X* SPL55X**	
	F-550 Super Duty	2-Piece Driveshaft	J	5,7,9	5-188X*	SPL55-1X* SPL55X**	
2000	F-550 Super Duty	3-Piece Driveshaft	JB	5,9	5-188X*	SPL55-1X* SPL55X**	
	F-550 Super Duty	V10 6.8L; 3-Piece Driveshaft	JB	7,8	5-188X*	SPL55-1X* SPL55X**	
	F-550 Super Duty	V8 7.3L; 3-Piece Driveshaft	JB	7,8	5-188X*	SPL55-1X* SPL55X**	
2000-2002	F-550 Super Duty	V10 6.8L; 1-Piece Driveshaft	I	3,4	5-178X*	5-1350-1X* 5-1350X**	SPL30-1350XC**
	F-550 Super Duty	V8 7.3L; 1-Piece Driveshaft	I	3,4	5-178X*	5-1350-1X* 5-1350X**	SPL30-1350XC**
	F-550 Super Duty	V10 6.8L; 2-Piece Driveshaft	J	3,4	5-178X*	5-1350-1X* 5-1350X**	SPL30-1350XC**
	F-550 Super Duty	V8 7.3L; 2-Piece Driveshaft	J	3,4	5-178X*	5-1350-1X* 5-1350X**	SPL30-1350XC**
	F-550 Super Duty	V10 6.8L; 3-Piece Driveshaft	JB	3,4	5-178X*	5-1350-1X* 5-1350X**	SPL30-1350XC**
	F-550 Super Duty	V8 7.3L; 3-Piece Driveshaft	JB	3,4	5-178X*	5-1350-1X* 5-1350X**	SPL30-1350XC**
2000-2004	F-550 Super Duty	3-Piece Driveshaft	JB	1		SPL55-3X** SPL55-4X*	SPL55-1480XC**
2001-2017	F-550 Super Duty	3-Piece Driveshaft	JB	5,7,8,9	5-188X*	SPL55-1X* SPL55X**	
2003-2004	F-550 Super Duty	1-Piece Driveshaft	I	2,3,4	5-178X*	5-1350-1X* 5-1350X**	SPL30-1350XC**
	F-550 Super Duty	2-Piece Driveshaft	J	2,3,4	5-178X*	5-1350-1X* 5-1350X**	SPL30-1350XC**
	F-550 Super Duty	3-Piece Driveshaft	JB	2,3,4	5-178X*	5-1350-1X* 5-1350X**	SPL30-1350XC**

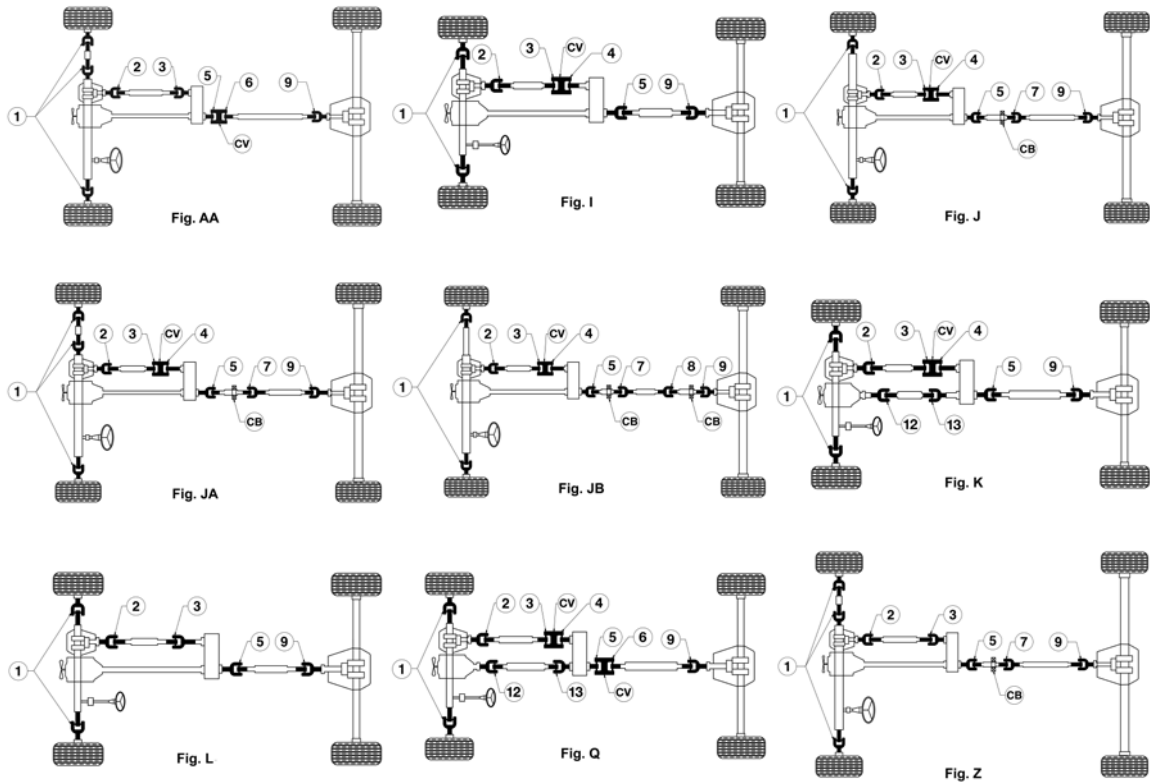
\* GREASEABLE \*\* NON-GREASEABLE

4  
W  
D

**Ford (Cont'd)**

Year	Model	Description	Fig.	Location	Spicer Part #	SPL (Uncoated) Part #	SPL (Coated) Part #
2005-2007	F-550 Super Duty	1-Piece Driveshaft	I	2	5-178X*	5-1350-1X* 5-1350X**	SPL30-1350XC**
	F-550 Super Duty	2-Piece Driveshaft	J	2	5-178X*	5-1350-1X* 5-1350X**	SPL30-1350XC**
	F-550 Super Duty	3-Piece Driveshaft	JB	2	5-178X*	5-1350-1X* 5-1350X**	SPL30-1350XC**
2005-2017	F-550 Super Duty	1-Piece Driveshaft	I	1		SPL70-4X*	SPL70-1550XC**
	F-550 Super Duty	2-Piece Driveshaft	J	1		SPL70-4X*	SPL70-1550XC**
	F-550 Super Duty	3-Piece Driveshaft	JB	1		SPL70-4X*	SPL70-1550XC**
2008-2017	F-550 Super Duty	1-Piece Driveshaft	I	2	5-160X*	5-1410-1X* 5-1410X**	
	F-550 Super Duty	2-Piece Driveshaft	J	2	5-160X*	5-1410-1X* 5-1410X**	
	F-550 Super Duty	3-Piece Driveshaft	JB	2	5-160X*	5-1410-1X* 5-1410X**	
1983-1984	Ranger		AA	2	5-153X*	5-1310-1X* 5-1310X**	
	Ranger	Auto Trans	AA	3	5-443X*		
	Ranger	Standard Trans; 4-Speed	AA	3	5-443X*		
	Ranger	Standard Trans; 5-Speed	AA	3	5-153X*	5-1310-1X* 5-1310X**	
1983-1985	Ranger		AA	5,6,9	5-443X*		
	Ranger	108.0" WB; 72.0" Bed	AA	CV	211342X		
1983-1986	Ranger		AA	1	5-3215X**		
1985-1986	Ranger		AA	2,3	5-153X*	5-1310-1X* 5-1310X**	
	Ranger	125.0" WB; 5-Speed	AA	5,6	5-213X*	5-1330-1X* 5-1330X**	
1986	Ranger	108.0" WB; 114.0" WB	AA	5,6,9	5-443X*		
	Ranger	125.0" WB; 4-Speed	AA	5,6,9	5-443X*		
	Ranger	125.0" WB; 5-Speed	AA	9	5-1204X*	5-7438X**	
	Ranger	Custom; S; XLT; 2-Piece Driveshaft	Z	2,3	5-153X*	5-1310-1X* 5-1310X**	
1987	Ranger	STX; 2-Piece Driveshaft	Z	2,3	5-443X*		
	Ranger	108.0" WB; 2-Piece Driveshaft	AA	5,6,9	5-443X*		
1987-1988	Ranger	2-Piece Driveshaft	Z	1	5-3215X**		
1987-1989	Ranger	114.0" WB; 125.0" WB; 2-Piece Driveshaft	Z	5,9	5-443X*		
	Ranger	125.0" WB; 2-Piece Driveshaft	Z	7	5-443X*		
	Ranger	2-Piece Driveshaft; w/ 2.750" O.D. Yoke	Z	2,3	5-443X*		
1988-1989	Ranger	2-Piece Driveshaft; w/ 3.500" O.D. Yoke	Z	2,3	5-153X*	5-1310-1X* 5-1310X**	
	Ranger	108.0" WB; 2-Piece Driveshaft	AA	5,6,9	5-153X*	5-1310-1X* 5-1310X**	
1990-1992	Ranger	2-Piece Driveshaft; w/ Dana Model 28 Axle	JA	1	5-3215X**		
	Ranger	2-Piece Driveshaft; w/ Dana Model 35 Axle	JA	1	5-3226X*	5-760X**	5-760XC**
	Ranger	2-Piece Driveshaft	JA	2,3,4	5-153X*	5-1310-1X* 5-1310X**	
1990-1994	Ranger	114.0" WB; 2-Piece Driveshaft	JA	5,9	5-153X*	5-1310-1X* 5-1310X**	
1990-1997	Ranger	125.0" WB; Extended Cab; 2-Piece Driveshaft	JA	5,7,9	5-153X*	5-1310-1X* 5-1310X**	
1993-1997	Ranger	2-Piece Driveshaft; w/o Double Cardan CV Joint	AA	1	5-3226X*	5-760X**	5-760XC**
	Ranger	2-Piece Driveshaft; w/o Double Cardan CV Joint	AA	2	5-153X*	5-1310-1X* 5-1310X**	
	Ranger	2-Piece Driveshaft	AA	3	5-153X*	5-1310-1X* 5-1310X**	
	Ranger	2-Piece Driveshaft; w/ Double Cardan CV Joint	JA	1	5-3226X*	5-760X**	5-760XC**
	Ranger	2-Piece Driveshaft; w/ Double Cardan CV Joint	JA	2	5-153X*	5-1310-1X* 5-1310X**	
	Ranger	2-Piece Driveshaft	JA	3,4	5-153X*	5-1310-1X* 5-1310X**	

\* GREASEABLE \*\* NON-GREASEABLE



4  
W  
D

**Ford (Cont'd)**

Year	Model	Description	Fig.	Location	Spicer Part #	SPL (Uncoated) Part #	SPL (Coated) Part #
1995-1997	Ranger	114.0" WB; 2-Piece Driveshaft	JA	5,9	5-213X*	5-1330-1X* 5-1330X**	
	Ranger	4-Speed; 125.0" WB	JA	CB	211590-1X		
1998-2011	Ranger		L	2	5-153X*	5-1310-1X* 5-1310X**	
	Ranger		L	5,9	5-213X*	5-1330-1X* 5-1330X**	

**Geo**

Year	Model	Description	Fig.	Location	Spicer Part #	SPL (Uncoated) Part #	SPL (Coated) Part #
1989-1997	Tracker		L	2,3,5,9	5-1503X*		

**GMC**

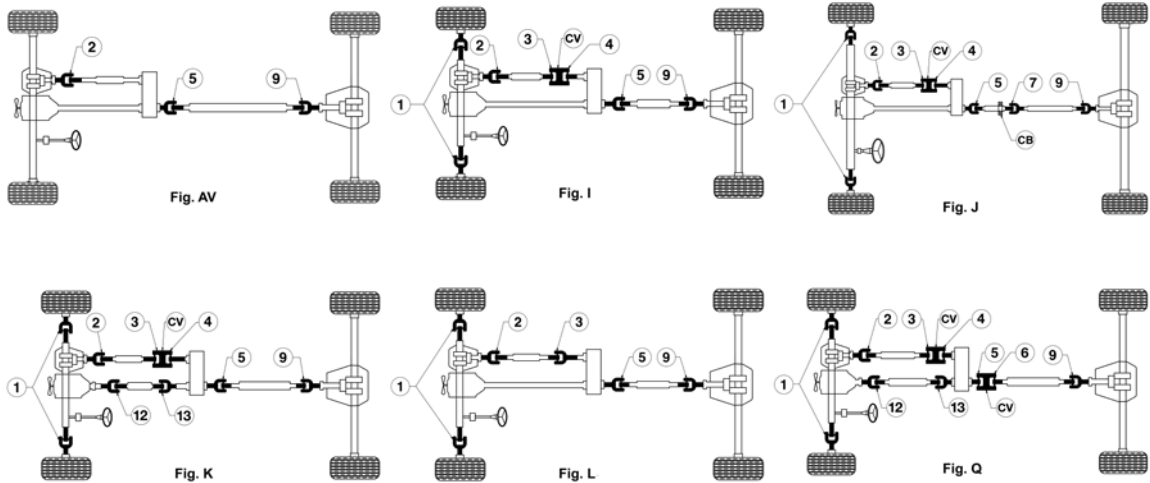
Year	Model	Description	Fig.	Location	Spicer Part #	SPL (Uncoated) Part #	SPL (Coated) Part #
2005-2009	C4500 Topkick	1-Piece Driveshaft	K	1		SPL70-4X*	SPL70-1550XC**
	C4500 Topkick	1-Piece Driveshaft	K	12,13	5-188X*	SPL55-1X* SPL55X**	
	C4500 Topkick	1-Piece Driveshaft	K	2	5-160X*	5-1410-1X* 5-1410X**	
	C4500 Topkick	1-Piece Driveshaft	K	3,4	5-178X*	5-1350-1X* 5-1350X**	SPL30-1350XC**
	C4500 Topkick	1-Piece Driveshaft	K	5,9	5-188X*	SPL55-1X* SPL55X**	
	C4500 Topkick	2-Piece Driveshaft	Q	1		SPL70-4X*	SPL70-1550XC**
	C4500 Topkick	2-Piece Driveshaft	Q	12,13	5-188X*	SPL55-1X* SPL55X**	
	C4500 Topkick	2-Piece Driveshaft	Q	2	5-160X*	5-1410-1X* 5-1410X**	

\* GREASEABLE \*\* NON-GREASEABLE

**GMC (Cont'd)**

Year	Model	Description	Fig.	Location	Spicer Part #	SPL (Uncoated) Part #	SPL (Coated) Part #
2005-2009	C4500 Topkick	2-Piece Driveshaft	Q	3,4	5-178X*	5-1350-1X* 5-1350X**	SPL30-1350XC**
	C4500 Topkick	2-Piece Driveshaft	Q	5,6,9	5-188X*	SPL55-1X* SPL55X**	
2005-2009	C5500 Topkick	1-Piece Driveshaft	K	1		SPL70-4X*	SPL70-1550XC**
	C5500 Topkick	1-Piece Driveshaft	K	12,13	5-188X*	SPL55-1X* SPL55X**	
	C5500 Topkick	1-Piece Driveshaft	K	2	5-160X*	5-1410-1X* 5-1410X**	
	C5500 Topkick	1-Piece Driveshaft	K	3,4	5-178X*	5-1350-1X* 5-1350X**	SPL30-1350XC**
	C5500 Topkick	1-Piece Driveshaft	K	5,9	5-188X*	SPL55-1X* SPL55X**	
	C5500 Topkick	2-Piece Driveshaft	Q	1		SPL70-4X*	SPL70-1550XC**
	C5500 Topkick	2-Piece Driveshaft	Q	12,13	5-188X*	SPL55-1X* SPL55X**	
	C5500 Topkick	2-Piece Driveshaft	Q	2	5-160X*	5-1410-1X* 5-1410X**	
	C5500 Topkick	2-Piece Driveshaft	Q	3,4	5-178X*	5-1350-1X* 5-1350X**	SPL30-1350XC**
	C5500 Topkick	2-Piece Driveshaft	Q	5,6,9	5-188X*	SPL55-1X* SPL55X**	
2004-2012	Canyon	1-Piece Driveshaft	AV	2	5-153X*	5-1310-1X* 5-1310X**	
	Canyon	1-Piece Driveshaft	AV	5	5-213X*	5-1330-1X* 5-1330X**	
	Canyon	1-Piece Driveshaft	AV	9	5-212X*	5-793X**	
2015-2016	Canyon	1-Piece Driveshaft	AV	2,5,9	5-178X*	5-1350-1X* 5-1350X**	SPL30-1350XC**
2002-2009	Envoy	1-Piece Driveshaft	AV	2	5-3213X*		
	Envoy	1-Piece Driveshaft	AV	5,9	5-3147X*	5-795X**	
2002-2006	Envoy XL	1-Piece Driveshaft	AV	2	5-3213X*		
	Envoy XL	1-Piece Driveshaft	AV	5,9	5-3147X*	5-795X**	
2004-2005	Envoy XUV	1-Piece Driveshaft	AV	2	5-3213X*		
	Envoy XUV	1-Piece Driveshaft	AV	5,9	5-3147X*	5-795X**	
1970-1972	Jimmy	1.062" Bearing Cup Dia.	I	1	5-260X**		
	Jimmy	1.188" Bearing Cup Dia.	I	1	5-3226X*	5-760X**	5-760XC**
	Jimmy		I	2,3,4,5,9	5-153X*	5-1310-1X* 5-1310X**	
1973-1977	Jimmy		I	1,2,3,4,5,9	5-153X*	5-1310-1X* 5-1310X**	
1978	Jimmy	w/ Inside Snap Rings	I	2,3,4	5-3147X*	5-795X**	
	Jimmy	w/ Outside Snap Rings	I	2,3,4	5-153X*	5-1310-1X* 5-1310X**	
	Jimmy	w/ Inside Snap Rings	I	CV	211009X		
1978-1981	Jimmy		I	5,9	5-153X*	5-1310-1X* 5-1310X**	
1978-1991	Jimmy		I	1	5-3226X*	5-760X**	5-760XC**
1979-1986	Jimmy		I	CV	211009X		
1979-1991	Jimmy		I	2	5-153X*	5-1310-1X* 5-1310X**	
	Jimmy		I	3,4	5-3147X*	5-795X**	
1982	Jimmy	3-Speed	I	5,9	5-3147X*	5-795X**	
	Jimmy	Auto Trans; 4-Speed	I	5,9	5-3147X*	5-795X**	
	Jimmy	Standard Trans; 4-Speed	I	5,9	5-178X*	5-1350-1X* 5-1350X**	SPL30-1350XC**
1983-1991	Jimmy	w/ Inside Snap Rings	I	5,9	5-3147X*	5-795X**	
	Jimmy	w/ Outside Snap Rings	I	5,9	5-178X*	5-1350-1X* 5-1350X**	SPL30-1350XC**
1992-1994	Jimmy	w/ Press-on Slip Yoke Seal	L	2,3	5-153X*	5-1310-1X* 5-1310X**	
	Jimmy	w/ Screw-on Slip Yoke Seal	L	2,3	5-3213X*		

\* GREASEABLE \*\* NON-GREASEABLE



**GMC (Cont'd)**

Year	Model	Description	Fig.	Location	Spicer Part #	SPL (Uncoated) Part #	SPL (Coated) Part #
1995-1999	Jimmy	2 Door; w/ ZR2 High Wider Sport Package	L	5,9	5-178X*	5-1350-1X* 5-1350X**	SPL30-1350XC**
	Jimmy	2 Door; w/o ZR2 High Wider Sport Package	L	5,9	5-3147X*	5-795X**	
	Jimmy	4 Door	L	5,9	5-3147X*	5-795X**	
2000-2001	Jimmy	1-Piece Driveshaft	AV	2	5-3213X*		
	Jimmy	1-Piece Driveshaft	AV	5,9	5-3147X*	5-795X**	
2002-2005	Jimmy		L	2	5-3213X*		
	Jimmy		L	5,9	5-3147X*	5-795X**	
1975-1976	K15	w/ Inside Snap Rings	K	1	5-260X**		
	K15	w/ Outside Snap Rings	K	1	5-178X*	5-1350-1X* 5-1350X**	SPL30-1350XC**
	K15		K	2,3,4,5,9,12,13	5-153X*	5-1310-1X* 5-1310X**	
1977-1978	K15	1-Piece Driveshaft	I	1	5-3226X*	5-760X**	5-760XC**
	K15	1-Piece Driveshaft	I	2,3,4,5,9	5-153X*	5-1310-1X* 5-1310X**	
	K15	2-Piece Driveshaft	J	1	5-3226X*	5-760X**	5-760XC**
	K15	2-Piece Driveshaft	J	2,3,4,5	5-3147X*	5-795X**	
	K15	2-Piece Driveshaft	J	7,9	5-178X*	5-1350-1X* 5-1350X**	SPL30-1350XC**
	K15	2 Piece Driveshaft	J	CV	211009X		
1975-1976	K15 Suburban		K	1	5-3226X*	5-760X**	5-760XC**
	K15 Suburban		K	2,3,4,5,9,12,13	5-153X*	5-1310-1X* 5-1310X**	
1977-1978	K15 Suburban	1-Piece Driveshaft	I	1	5-3226X*	5-760X**	5-760XC**
	K15 Suburban	1-Piece Driveshaft; w/ Inside Snap Rings	I	2,3,4	5-3147X*	5-795X**	
	K15 Suburban	1-Piece Driveshaft; w/ Outside Snap Rings	I	2,3,4	5-153X*	5-1310-1X* 5-1310X**	
	K15 Suburban	1-Piece Driveshaft	I	5,9	5-153X*	5-1310-1X* 5-1310X**	
	K15 Suburban	2-Piece Driveshaft	J	1	5-3226X*	5-760X**	5-760XC**
	K15 Suburban	2-Piece Driveshaft	J	2,3,4,5	5-3147X*	5-795X**	
	K15 Suburban	2-Piece Driveshaft	J	7,9	5-178X*	5-1350-1X* 5-1350X**	SPL30-1350XC**
	K15 Suburban	2 Piece Driveshaft	J	CV	211009X		

\* GREASEABLE \*\* NON-GREASEABLE

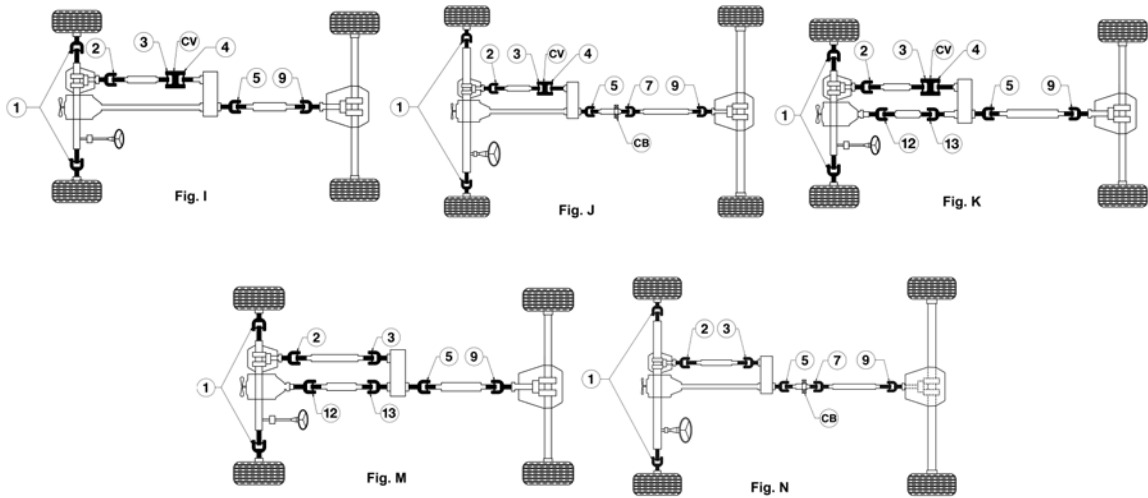
4  
W  
D

**GMC (Cont'd)**

Year	Model	Description	Fig.	Location	Spicer Part #	SPL (Uncoated) Part #	SPL (Coated) Part #
1966	K15/K1500 Pickup	w/ Inside Snap Rings	M	1	5-260X**		
	K15/K1500 Pickup	w/ Outside Snap Rings	M	1	5-178X*	5-1350-1X* 5-1350X**	SPL30-1350XC**
	K15/K1500 Pickup	Standard Trans; 3-Speed	M	12	5-153X*	5-1310-1X* 5-1310X**	
	K15/K1500 Pickup	Standard Trans; 4-Speed	M	12	5-178X*	5-1350-1X* 5-1350X**	SPL30-1350XC**
	K15/K1500 Pickup	Standard Trans; 3-Speed; 4-Speed	M	2,3,13	5-153X*	5-1310-1X* 5-1310X**	
	K15/K1500 Pickup	Standard Trans; 3-Speed; 4-Speed	M	5,9	5-178X*	5-1350-1X* 5-1350X**	SPL30-1350XC**
1967-1974	K15/K1500 Pickup	w/ Inside Snap Rings	K	1	5-260X**		
	K15/K1500 Pickup	w/ Outside Snap Rings	K	1	5-178X*	5-1350-1X* 5-1350X**	SPL30-1350XC**
	K15/K1500 Pickup		K	2,3,4,5,9,12,13	5-153X*	5-1310-1X* 5-1310X**	
1967-1969	K15/K1500 Suburban	w/ Inside Snap Rings	K	1	5-260X**		
	K15/K1500 Suburban	w/ Outside Snap Rings	K	1	5-178X*	5-1350-1X* 5-1350X**	SPL30-1350XC**
1967-1974	K15/K1500 Suburban		K	2,3,4,5,9,12,13	5-153X*	5-1310-1X* 5-1310X**	
1970-1971	K15/K1500 Suburban		K	1	5-260X**		
1972	K15/K1500 Suburban	1.062" Bearing Cup Dia.	K	1	5-260X**		
	K15/K1500 Suburban	1.188" Bearing Cup Dia.	K	1	5-3226X*	5-760X**	5-760XC**
1973-1974	K15/K1500 Suburban		K	1	5-3226X*	5-760X**	5-760XC**
1979-1981	K1500	1-Piece Driveshaft	I	1	5-3226X*	5-760X**	5-760XC**
	K1500	1-Piece Driveshaft	I	2	5-153X*	5-1310-1X* 5-1310X**	
	K1500	1-Piece Driveshaft	I	3,4	5-3147X*	5-795X**	
	K1500	1-Piece Driveshaft	I	5,9	5-153X*	5-1310-1X* 5-1310X**	
	K1500	1 Piece Driveshaft; w/ Inside Snap Rings	I	CV	211009X		
	K1500	2-Piece Driveshaft	J	1	5-3226X*	5-760X**	5-760XC**
	K1500	2-Piece Driveshaft	J	2	5-153X*	5-1310-1X* 5-1310X**	
	K1500	2-Piece Driveshaft	J	3,4	5-3147X*	5-795X**	
	K1500	2-Piece Driveshaft	J	5,7,9	5-178X*	5-1350-1X* 5-1350X**	SPL30-1350XC**
	K1500	2 Piece Driveshaft; w/ Inside Snap Rings	J	CV	211009X		
1982-1986	K1500		I	1	5-3226X*	5-760X**	5-760XC**
	K1500		I	2	5-153X*	5-1310-1X* 5-1310X**	
	K1500		I	3,4	5-3147X*	5-795X**	
	K1500	w/ Inside Snap Rings	I	5,9	5-3147X*	5-795X**	
	K1500	w/ Outside Snap Rings	I	5,9	5-178X*	5-1350-1X* 5-1350X**	SPL30-1350XC**
	K1500		I	CV	211009X		
1988-1991	K1500	Extended Cab; Standard Cab; Standard Trans	N	2	5-212X*	5-793X**	
	K1500	Extended Cab; Standard Cab; Auto Trans	N	2,3	5-3147X*	5-795X**	
	K1500	Extended Cab; Standard Cab; Standard Trans; w/ Aluminum Yoke	N	3		5-3614X**	
	K1500	Extended Cab; Standard Cab; Standard Trans; w/ Steel Yoke	N	3	5-213X*	5-1330-1X* 5-1330X**	
	K1500	Extended Cab; Auto Trans; w/ Aluminum Yoke	N	5,7		5-3614X**	
	K1500	Extended Cab; Auto Trans; w/ Steel Yoke	N	5,7	5-213X*	5-1330-1X* 5-1330X**	
	K1500	Extended Cab; Standard Trans; w/ Aluminum Shaft	N	5,7,9		5-3615X**	
K1500	Extended Cab; Standard Trans; w/ Steel Shaft	N	5,7,9	5-178X*	5-1350-1X* 5-1350X**	SPL30-1350XC**	

\* GREASEABLE \*\* NON-GREASEABLE





**GMC (Cont'd)**

Year	Model	Description	Fig.	Location	Spicer Part #	SPL (Uncoated) Part #	SPL (Coated) Part #
1988-1991	K1500	Standard Cab; Standard Trans; w/ Aluminum Shaft	N	5,9		5-3615X**	
	K1500	Standard Cab; Standard Trans; w/ Steel Shaft	N	5,9	5-178X*	5-1350-1X* 5-1350X**	SPL30-1350XC**
	K1500	Extended Cab; Auto Trans	N	9	5-212X*	5-793X**	
1988-1993	K1500	Standard Cab; Auto Trans	N	5,9	5-3147X*	5-795X**	
1992-1993	K1500	Extended Cab; Auto Trans; Exc. F44 HD Chassis; w/ Aluminum Yoke	N	5		5-3614X**	
	K1500	Extended Cab; Auto Trans; Exc. F44 HD Chassis; w/ Steel Yoke	N	5	5-213X*	5-1330-1X* 5-1330X**	
	K1500	Extended Cab; Exc. F44 HD Chassis; w/ Aluminum Yoke	N	7		5-3614X**	
	K1500	Extended Cab; Exc. F44 HD Chassis; w/ Steel Yoke	N	7	5-213X*	5-1330-1X* 5-1330X**	
	K1500	Extended Cab; w/ F44 HD Chassis; w/ Aluminum Shaft	N	7		5-3615X**	
	K1500	Extended Cab; w/ F44 HD Chassis; w/ Steel Shaft	N	7	5-178X*	5-1350-1X* 5-1350X**	SPL30-1350XC**
	K1500	Extended Cab; Auto Trans; Exc. F44 HD Chassis	N	9	5-212X*	5-793X**	
1993	K1500	Extended Cab; Standard Cab	N	2,3	5-3147X*	5-795X**	
	K1500	Extended Cab; Standard Trans; MT8; w/ F44 HD Chassis; w/ Aluminum Shaft	N	5,9		5-3615X**	
	K1500	Extended Cab; Standard Trans; MT8; w/ F44 HD Chassis; w/ Steel Shaft	N	5,9	5-178X*	5-1350-1X* 5-1350X**	SPL30-1350XC**
	K1500	Standard Cab; Standard Trans; MT8; w/ Aluminum Shaft	N	5,9		5-3615X**	
	K1500	Standard Cab; Standard Trans; MT8; w/ Steel Shaft	N	5,9	5-178X*	5-1350-1X* 5-1350X**	SPL30-1350XC**
1994-1995	K1500	Extended Cab; w/ F44 HD Chassis; 1.188" Bearing Cup Dia.; w/ Aluminum Shaft	N	5		5-3615X**	
	K1500	Extended Cab; w/ F44 HD Chassis; 1.188" Bearing Cup Dia.; w/ Steel Shaft	N	5	5-178X*	5-1350-1X* 5-1350X**	SPL30-1350XC**
	K1500	w/ Aluminum Shaft	N	7		5-3615X**	
	K1500	w/ Aluminum Yoke	N	7		5-3614X**	
	K1500	w/ Steel Shaft	N	7	5-178X*	5-1350-1X* 5-1350X**	SPL30-1350XC**
	K1500	w/ Steel Yoke	N	7	5-213X*	5-1330-1X* 5-1330X**	
	K1500	Extended Cab; Standard Trans; w/ F44 HD Chassis; w/ Aluminum Shaft	N	9		5-3615X**	

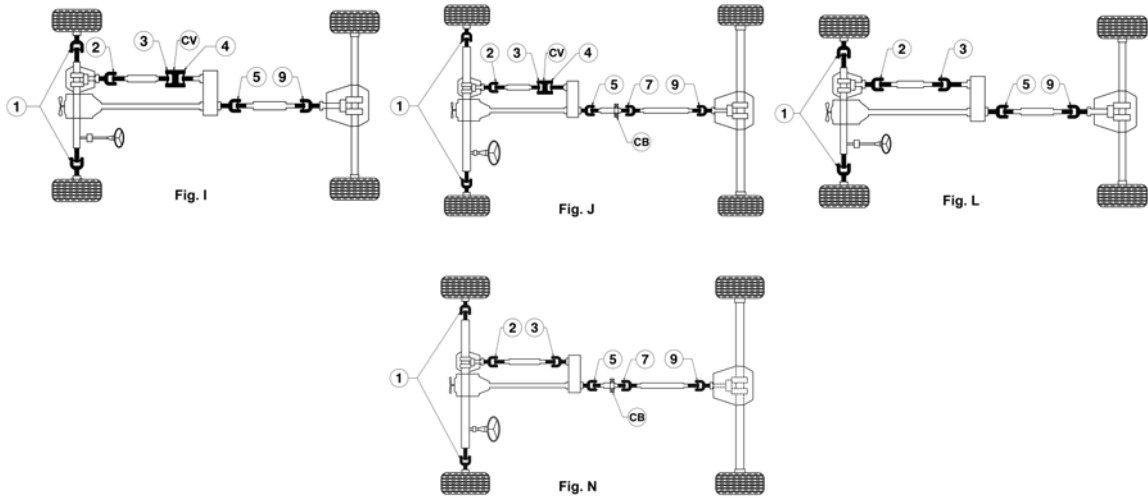
\* GREASEABLE \*\* NON-GREASEABLE

4  
W  
D

**GMC (Cont'd)**

Year	Model	Description	Fig.	Location	Spicer Part #	SPL (Uncoated) Part #	SPL (Coated) Part #
1994-1995	K1500	Extended Cab; Standard Trans; w/ F44 HD Chassis; w/ Steel Shaft	N	9	5-178X*	5-1350-1X* 5-1350X**	SPL30-1350XC**
	K1500	Standard Cab; 1.188" Bearing Cup Dia.; w/ Aluminum Shaft	N	9		5-3615X**	
	K1500	Standard Cab; 1.188" Bearing Cup Dia.; w/ Steel Shaft	N	9	5-178X*	5-1350-1X* 5-1350X**	SPL30-1350XC**
1994-1996	K1500	Extended Cab; Exc. F44 HD Chassis; 1.062" Bearing Cup Dia.; w/ Aluminum Shaft	N	5		5-3614X**	
	K1500	Extended Cab; Exc. F44 HD Chassis; 1.062" Bearing Cup Dia.; w/ Steel Shaft	N	5	5-213X*	5-1330-1X* 5-1330X**	
	K1500	Standard Cab; 1.125" Bearing Cup Dia.	N	5,9	5-3147X*	5-795X**	
1995	K1500	Gas; Standard Cab	N	2,3	5-3147X*	5-795X**	
	K1500	Diesel; Standard Cab	N	3	5-213X*	5-1330-1X* 5-1330X**	
1996	K1500	Diesel; Extended Cab; Standard Cab	N	2	5-212X*	5-793X**	
	K1500	Gas; Extended Cab; Standard Cab	N	2,3	5-3147X*	5-795X**	
	K1500	Diesel; Extended Cab; Standard Cab	N	3	5-213X*	5-1330-1X* 5-1330X**	
	K1500	Extended Cab; w/ F44 HD Chassis; 1.188" Bearing Cup Dia.; w/ Aluminum Shaft	N	5,9		5-3615X**	
	K1500	Extended Cab; w/ F44 HD Chassis; 1.188" Bearing Cup Dia.; w/ Steel Shaft	N	5,9	5-178X*	5-1350-1X* 5-1350X**	SPL30-1350XC**
	K1500	1.188" Bearing Cup Dia.; w/ Aluminum Shaft	N	7		5-3615X**	
	K1500	1.188" Bearing Cup Dia.; w/ Steel Shaft	N	7	5-178X*	5-1350-1X* 5-1350X**	SPL30-1350XC**
	K1500	Extended Cab; Exc. F44 HD Chassis; 1.062" Bearing Cup Dia.	N	9	5-212X*	5-793X**	
1997	K1500	Standard Cab; 1.125" Bearing Cup Dia.	N	5	5-3147X*	5-795X**	
1997-1998	K1500		N	2,3	5-3147X*	5-795X**	
	K1500	Gas; Extended Cab; Exc. F44 HD Chassis; 1.062" Bearing Cup Dia.; w/ Aluminum Shaft	N	5		5-3614X**	
	K1500	Gas; Extended Cab; Exc. F44 HD Chassis; 1.062" Bearing Cup Dia.; w/ Steel Shaft	N	5	5-213X*	5-1330-1X* 5-1330X**	
	K1500	Diesel; Extended Cab; w/ F44 HD Chassis; 1.188" Bearing Cup Dia.; w/ Aluminum Shaft	N	5,9		5-3615X**	
	K1500	Diesel; Extended Cab; w/ F44 HD Chassis; 1.188" Bearing Cup Dia.; w/ Steel Shaft	N	5,9	5-178X*	5-1350-1X* 5-1350X**	SPL30-1350XC**
	K1500	Extended Cab; Exc. F44 HD Chassis; 1.062" Bearing Cup Dia.; w/ Aluminum Shaft	N	7		5-3614X**	
	K1500	Extended Cab; Exc. F44 HD Chassis; 1.062" Bearing Cup Dia.; w/ Steel Shaft	N	7	5-213X*	5-1330-1X* 5-1330X**	
	K1500	Extended Cab; w/ F44 HD Chassis; 1.188" Bearing Cup Dia.; w/ Aluminum Shaft	N	7		5-3615X**	
	K1500	Extended Cab; w/ F44 HD Chassis; 1.188" Bearing Cup Dia.; w/ Steel Shaft	N	7	5-178X*	5-1350-1X* 5-1350X**	SPL30-1350XC**
	K1500	Gas; Extended Cab; Exc. F44 HD Chassis; 1.062" Bearing Cup Dia.	N	9	5-212X*	5-793X**	
1998	K1500	1.125" Bearing Cup Dia.	N	5	5-3147X*	5-795X**	
1999	K1500	Extended Cab; Short Bed	L	2,3	5-3147X*	5-795X**	
	K1500	Extended Cab; Short Bed; w/ Aluminum Yoke	L	5		5-3614X**	
	K1500	Extended Cab; Short Bed; w/ Steel Yoke	L	5	5-213X*	5-1330-1X* 5-1330X**	
	K1500	Extended Cab; Short Bed	L	9	5-212X*	5-793X**	
1979-1981	K1500 Suburban	1-Piece Driveshaft	I	1	5-3226X*	5-760X**	5-760XC**
	K1500 Suburban	1-Piece Driveshaft	I	2	5-153X*	5-1310-1X* 5-1310X**	
	K1500 Suburban	1-Piece Driveshaft	I	3,4	5-3147X*	5-795X**	
	K1500 Suburban	1-Piece Driveshaft	I	5,9	5-153X*	5-1310-1X* 5-1310X**	
	K1500 Suburban	w/ Inside Snap Rings	I	CV	211009X		
	K1500 Suburban	2-Piece Driveshaft	J	1	5-3226X*	5-760X**	5-760XC**

\* GREASEABLE \*\* NON-GREASEABLE



**GMC (Cont'd)**

Year	Model	Description	Fig.	Location	Spicer Part #	SPL (Uncoated) Part #	SPL (Coated) Part #
1979-1981	K1500 Suburban	2-Piece Driveshaft	J	2	5-153X*	5-1310-1X* 5-1310X**	
	K1500 Suburban	2-Piece Driveshaft	J	3,4	5-3147X*	5-795X**	
	K1500 Suburban	2-Piece Driveshaft	J	5,7,9	5-178X*	5-1350-1X* 5-1350X**	SPL30-1350XC**
1982-1986	K1500 Suburban		I	1	5-3226X*	5-760X**	5-760XC**
	K1500 Suburban		I	2	5-153X*	5-1310-1X* 5-1310X**	
	K1500 Suburban		I	3,4	5-3147X*	5-795X**	
	K1500 Suburban	w/ Inside Snap Rings	I	5,9	5-3147X*	5-795X**	
	K1500 Suburban	w/ Outside Snap Rings	I	5,9	5-178X*	5-1350-1X* 5-1350X**	SPL30-1350XC**
	K1500 Suburban		I	CV	211009X		
1992-1994	K1500 Suburban		L	2,3,5,9	5-3147X*	5-795X**	
1995-1996	K1500 Suburban	Diesel	L	2	5-212X*	5-793X**	
	K1500 Suburban	Gas	L	2,3	5-3147X*	5-795X**	
	K1500 Suburban	Diesel	L	3	5-213X*	5-1330-1X* 5-1330X**	
1997-1999	K1500 Suburban		L	5,9	5-3147X*	5-795X**	
	K1500 Suburban	w/ Inside Snap Rings	L	5,9	5-3147X*	5-795X**	
	K1500 Suburban	w/ Outside Snap Rings	L	5,9	5-178X*	5-1350-1X* 5-1350X**	SPL30-1350XC**
1975-1976	K25	1-Piece Driveshaft	I	2,3,4	5-153X*	5-1310-1X* 5-1310X**	
	K25	1-Piece Driveshaft; w/ Full Time Transfer Case	I	5,9	5-153X*	5-1310-1X* 5-1310X**	
	K25	1-Piece Driveshaft; w/ Part Time Transfer Case	I	5,9	5-178X*	5-1350-1X* 5-1350X**	SPL30-1350XC**
	K25	2-Piece Driveshaft	J	2,3,4	5-153X*	5-1310-1X* 5-1310X**	
	K25	2-Piece Driveshaft; w/ Part Time Transfer Case	J	5,7,9	5-178X*	5-1350-1X* 5-1350X**	SPL30-1350XC**
	K25	2-Piece Driveshaft; w/ Full Time Transfer Case	J	5,9	5-153X*	5-1310-1X* 5-1310X**	
1975-1978	K25	1-Piece Driveshaft	I	1	5-3226X*	5-760X**	5-760XC**
	K25	2-Piece Driveshaft	J	1	5-3226X*	5-760X**	5-760XC**
1977-1978	K25	1-Piece Driveshaft; w/ Inside Snap Rings	I	2,3,4	5-3147X*	5-795X**	
	K25	1-Piece Driveshaft; w/ Outside Snap Rings	I	2,3,4	5-153X*	5-1310-1X* 5-1310X**	

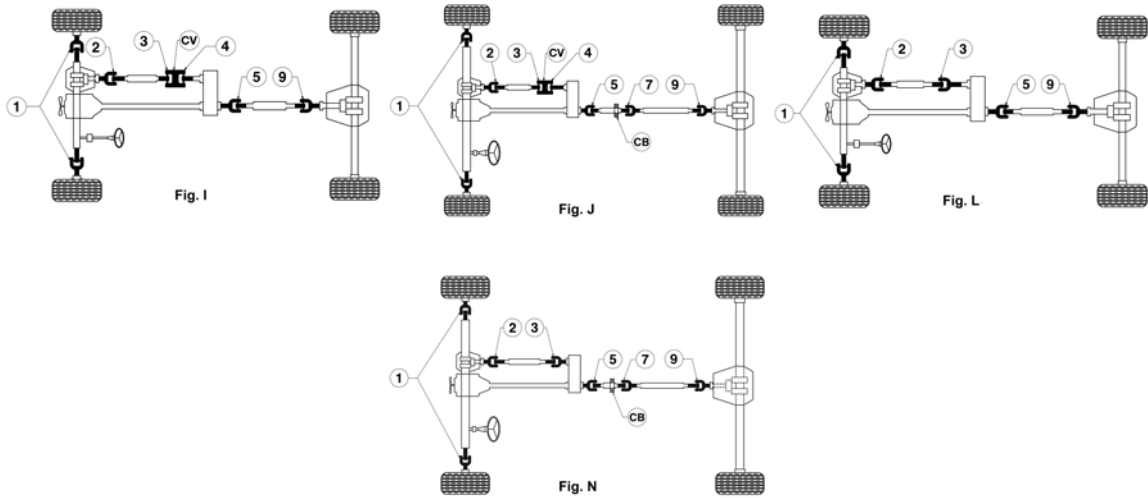
\* GREASEABLE \*\* NON-GREASEABLE

4  
W  
D

**GMC (Cont'd)**

Year	Model	Description	Fig.	Location	Spicer Part #	SPL (Uncoated) Part #	SPL (Coated) Part #
1977-1978	K25	1-Piece Driveshaft	I	5	5-153X*	5-1310-1X* 5-1310X**	
	K25	1-Piece Driveshaft	I	9	5-178X*	5-1350-1X* 5-1350X**	SPL30-1350XC**
	K25	1 Piece Driveshaft; w/ Inside Snap Rings	I	CV	211009X		
	K25	2-Piece Driveshaft; w/ Inside Snap Rings	J	2,3,4	5-3147X*	5-795X**	
	K25	2-Piece Driveshaft; w/ Outside Snap Rings	J	2,3,4	5-153X*	5-1310-1X* 5-1310X**	
	K25	2-Piece Driveshaft	J	5,7,9	5-178X*	5-1350-1X* 5-1350X**	SPL30-1350XC**
	K25	2 Piece Driveshaft; w/ Inside Snap Rings	J	CV	211009X		
1967-1969	K25/K2500 Pickup	w/ Inside Snap Rings	I	1	5-260X**		
	K25/K2500 Pickup	w/ Outside Snap Rings	I	1	5-178X*	5-1350-1X* 5-1350X**	SPL30-1350XC**
1967-1972	K25/K2500 Pickup		I	2,3,4,5,9	5-153X*	5-1310-1X* 5-1310X**	
1970-1971	K25/K2500 Pickup		I	1	5-260X**		
1972	K25/K2500 Pickup	1.062" Bearing Cup Dia.	I	1	5-260X**		
	K25/K2500 Pickup	1.188" Bearing Cup Dia.	I	1	5-3226X*	5-760X**	5-760XC**
1973-1974	K25/K2500 Pickup		I	1	5-3226X*	5-760X**	5-760XC**
	K25/K2500 Pickup		I	2,3,4	5-153X*	5-1310-1X* 5-1310X**	
	K25/K2500 Pickup		I	5,9	5-178X*	5-1350-1X* 5-1350X**	SPL30-1350XC**
1979-1981	K2500	1-Piece Driveshaft	I	1	5-3226X*	5-760X**	5-760XC**
	K2500	1-Piece Driveshaft	I	2	5-153X*	5-1310-1X* 5-1310X**	
	K2500	1-Piece Driveshaft	I	3,4	5-3147X*	5-795X**	
	K2500	1-Piece Driveshaft	I	5	5-153X*	5-1310-1X* 5-1310X**	
	K2500	1-Piece Driveshaft	I	9	5-178X*	5-1350-1X* 5-1350X**	SPL30-1350XC**
	K2500	1 Piece Driveshaft	I	CV	211009X		
	K2500	2-Piece Driveshaft	J	1	5-3226X*	5-760X**	5-760XC**
	K2500	2-Piece Driveshaft	J	2	5-153X*	5-1310-1X* 5-1310X**	
	K2500	2-Piece Driveshaft	J	3,4	5-3147X*	5-795X**	
	K2500	2-Piece Driveshaft	J	5,7,9	5-178X*	5-1350-1X* 5-1350X**	SPL30-1350XC**
	K2500	2 Piece Driveshaft	J	CV	211009X		
1982-1986	K2500		I	1	5-3226X*	5-760X**	5-760XC**
	K2500		I	2	5-153X*	5-1310-1X* 5-1310X**	
	K2500		I	3,4	5-3147X*	5-795X**	
	K2500		I	5,9	5-178X*	5-1350-1X* 5-1350X**	SPL30-1350XC**
	K2500		I	CV	211009X		
1988-1991	K2500	w/ Inside & Outside Snap Rings	N	2	5-212X*	5-793X**	
	K2500	w/ Inside Snap Rings	N	2,3	5-3147X*	5-795X**	
	K2500	w/ Outside Snap Rings	N	3	5-213X*	5-1330-1X* 5-1330X**	
	K2500	w/ Aluminum Shaft	N	5,7,9		5-3615X**	
	K2500	w/ Steel Shaft	N	5,7,9	5-178X*	5-1350-1X* 5-1350X**	SPL30-1350XC**
1992-1996	K2500	1-Piece Driveshaft	L	1	5-3226X*	5-760X**	5-760XC**
	K2500	1 Piece Rear Aluminum Driveshaft	L	5,9		5-3615X**	
	K2500	1-Piece Driveshaft; Steel Driveshaft	L	5,9	5-178X*	5-1350-1X* 5-1350X**	SPL30-1350XC**
	K2500	2-Piece Driveshaft	N	1	5-3226X*	5-760X**	5-760XC**
	K2500	2-Piece Driveshaft	N	2,3	5-3147X*	5-795X**	
1994	K2500	Diesel; 2-Piece Driveshaft	N	5,7,9	5-213X*	5-1330-1X* 5-1330X**	

\* GREASEABLE \*\* NON-GREASEABLE



**GMC (Cont'd)**

Year	Model	Description	Fig.	Location	Spicer Part #	SPL (Uncoated) Part #	SPL (Coated) Part #
1994	K2500	Gas; 2-Piece Driveshaft; Steel Driveshaft	N	5,7,9	5-178X*	5-1350-1X* 5-1350X**	SPL30-1350XC**
1995-1996	K2500	2-Piece Driveshaft; Steel Driveshaft	N	5,7,9	5-178X*	5-1350-1X* 5-1350X**	SPL30-1350XC**
1997-1999	K2500		N	1	5-3226X*	5-760X**	5-760XC**
	K2500		N	2,3	5-3147X*	5-795X**	
	K2500		N	5,7,9	5-178X*	5-1350-1X* 5-1350X**	SPL30-1350XC**
2000	K2500	1-Piece Driveshaft	L	2,3	5-3147X*	5-795X**	
	K2500	V8 5.7L; 1-Piece Driveshaft	L	5,9	5-178X*	5-1350-1X* 5-1350X**	SPL30-1350XC**
	K2500	V8 6.5L; 1-Piece Driveshaft	L	5,9	5-160X*	5-1410-1X* 5-1410X**	
	K2500	V8 7.4L; 1-Piece Driveshaft	L	5,9	5-160X*	5-1410-1X* 5-1410X**	
1992-1999	K2500 Suburban		L	2,3	5-3147X*	5-795X**	
	K2500 Suburban		L	5,9	5-178X*	5-1350-1X* 5-1350X**	SPL30-1350XC**
1977-1978	K35		N	1		SPL55-3X** SPL55-4X*	SPL55-1480XC**
	K35		N	2,3	5-153X*	5-1310-1X* 5-1310X**	
	K35		N	5,7,9	5-178X*	5-1350-1X* 5-1350X**	SPL30-1350XC**
1979	K3500		J	2,3,4	5-153X*	5-1310-1X* 5-1310X**	
	K3500	Auto Trans	J	5	5-153X*	5-1310-1X* 5-1310X**	
	K3500	Standard Trans	J	5	5-178X*	5-1350-1X* 5-1350X**	SPL30-1350XC**
	K3500		J	7,9	5-178X*	5-1350-1X* 5-1350X**	SPL30-1350XC**
1979-1986	K3500		J	1		SPL55-3X** SPL55-4X*	SPL55-1480XC**
1980-1986	K3500	1 Piece Driveshaft	I	CV	211009X		
	K3500		J	2	5-153X*	5-1310-1X* 5-1310X**	
	K3500		J	3,4	5-3147X*	5-795X**	
	K3500		J	5,7,9	5-178X*	5-1350-1X* 5-1350X**	SPL30-1350XC**
	K3500	2 Piece Driveshaft	J	CV	211009X		

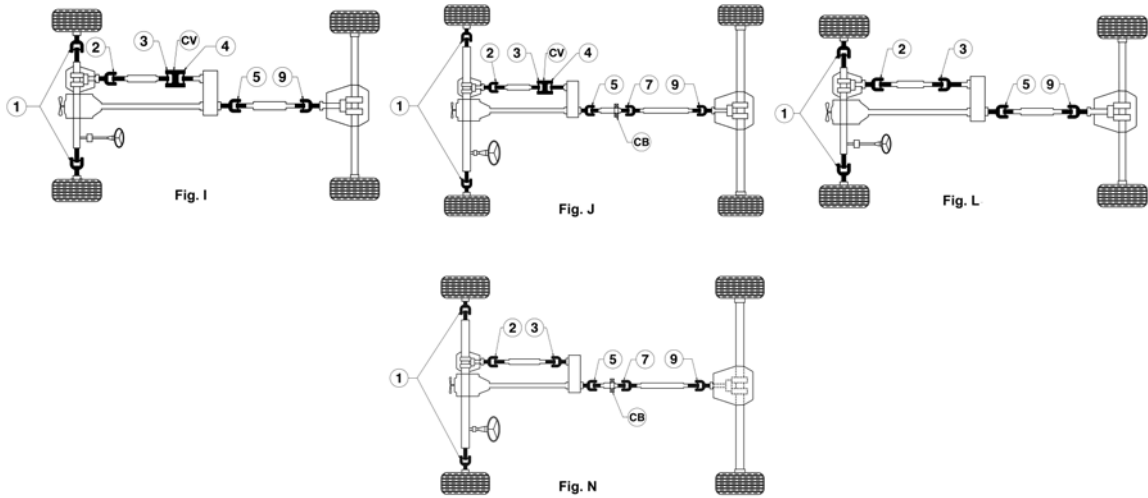
\* GREASEABLE \*\* NON-GREASEABLE

4  
W  
D

**GMC (Cont'd)**

Year	Model	Description	Fig.	Location	Spicer Part #	SPL (Uncoated) Part #	SPL (Coated) Part #
1988-1989	K3500	1-Piece Driveshaft	I	1		SPL55-4X*	
	K3500	1-Piece Driveshaft; w/ CV at Transfer Case	I	1		SPL55-3X**	SPL55-1480XC**
	K3500	1-Piece Driveshaft; w/ CV at Transfer Case	I	3,4	5-3147X*	5-795X**	
	K3500	1-Piece Driveshaft; w/ CV at Transfer Case; w/ Aluminum Shaft	I	5,9		5-3615X**	
	K3500	1-Piece Driveshaft; w/ CV at Transfer Case; w/ Steel Shaft	I	5,9	5-178X*	5-1350-1X* 5-1350X**	SPL30-1350XC**
	K3500	2-Piece Driveshaft	J	1		SPL55-4X*	
	K3500	2-Piece Driveshaft; w/ CV at Transfer Case	J	1		SPL55-3X**	SPL55-1480XC**
	K3500	2-Piece Driveshaft; w/ CV at Transfer Case	J	3,4	5-3147X*	5-795X**	
	K3500	2-Piece Driveshaft; w/ CV at Transfer Case; w/ Aluminum Shaft	J	5,7,9		5-3615X**	
	K3500	2-Piece Driveshaft; w/ CV at Transfer Case; w/ Steel Shaft	J	5,7,9	5-178X*	5-1350-1X* 5-1350X**	SPL30-1350XC**
	K3500	1-Piece Driveshaft; w/ Outside Snap Rings; w/o CV at Transfer Case	L	2	5-212X*	5-793X**	
	K3500	1-Piece Driveshaft; w/ Inside Snap Rings; w/o CV at Transfer Case	L	2,3	5-3147X*	5-795X**	
	K3500	1-Piece Driveshaft; w/ Outside Snap Rings; w/ Aluminum Yoke; w/o CV at Transfer Case	L	3		5-3614X**	
	K3500	1-Piece Driveshaft; w/ Outside Snap Rings; w/ Steel Yoke; w/o CV at Transfer Case	L	3	5-213X*	5-1330-1X* 5-1330X**	
	K3500	1-Piece Driveshaft; w/ Aluminum Shaft; w/o CV at Transfer Case	L	5,9		5-3615X**	
	K3500	1-Piece Driveshaft; w/ Steel Shaft; w/o CV at Transfer Case	L	5,9	5-178X*	5-1350-1X* 5-1350X**	SPL30-1350XC**
	K3500	2-Piece Driveshaft; w/ Outside Snap Rings; w/o CV at Transfer Case	N	2	5-212X*	5-793X**	
	K3500	2-Piece Driveshaft; w/ Inside Snap Rings; w/o CV at Transfer Case	N	2,3	5-3147X*	5-795X**	
	K3500	2-Piece Driveshaft; w/ Outside Snap Rings; w/ Aluminum Yoke; w/o CV at Transfer Case	N	3		5-3614X**	
	K3500	2-Piece Driveshaft; w/ Outside Snap Rings; w/ Steel Yoke; w/o CV at Transfer Case	N	3	5-213X*	5-1330-1X* 5-1330X**	
K3500	2-Piece Driveshaft; w/ Aluminum Shaft; w/o CV at Transfer Case	N	5,7,9		5-3615X**		
K3500	2-Piece Driveshaft; w/ Steel Shaft; w/o CV at Transfer Case	N	5,7,9	5-178X*	5-1350-1X* 5-1350X**	SPL30-1350XC**	
1990-1991	K3500	1-Piece Driveshaft; w/ Inside Snap Rings	L	2,3	5-3147X*	5-795X**	
	K3500	1-Piece Driveshaft; w/ Outside Snap Rings; w/ Aluminum Yoke	L	2,3		5-3614X**	
	K3500	1-Piece Driveshaft; w/ Outside Snap Rings; w/ Steel Yoke	L	2,3	5-213X*	5-1330-1X* 5-1330X**	
	K3500	2-Piece Driveshaft; w/ Inside Snap Rings	N	2,3	5-3147X*	5-795X**	
	K3500	2-Piece Driveshaft; w/ Outside Snap Rings; w/ Aluminum Yoke	N	2,3		5-3614X**	
	K3500	2-Piece Driveshaft; w/ Outside Snap Rings; w/ Steel Yoke	N	2,3	5-213X*	5-1330-1X* 5-1330X**	
1990-1996	K3500	1-Piece Driveshaft; w/ Aluminum Shaft	L	5,9		5-3615X**	
	K3500	1-Piece Driveshaft; w/ Steel Shaft	L	5,9	5-178X*	5-1350-1X* 5-1350X**	SPL30-1350XC**
	K3500	2-Piece Driveshaft; w/ Aluminum Shaft	N	5,7,9		5-3615X**	
	K3500	2-Piece Driveshaft; w/ Steel Shaft	N	5,7,9	5-178X*	5-1350-1X* 5-1350X**	SPL30-1350XC**
1992-1996	K3500	2-Piece Driveshaft	N	2,3	5-3147X*	5-795X**	
1997-1998	K3500	Cab & Chassis; 135.5" WB; 159.5" WB; 168.5" WB	N	5,9	5-160X*	5-1410-1X* 5-1410X**	
1997-1999	K3500		N	2,3	5-3147X*	5-795X**	
	K3500	Crew Cab; Extended Cab; Standard Cab; w/ Aluminum Shaft	N	5,9		5-3615X**	
	K3500	Crew Cab; Extended Cab; Standard Cab; w/ Steel Shaft	N	5,9	5-178X*	5-1350-1X* 5-1350X**	SPL30-1350XC**

\* GREASEABLE \*\* NON-GREASEABLE



**GMC (Cont'd)**

Year	Model	Description	Fig.	Location	Spicer Part #	SPL (Uncoated) Part #	SPL (Coated) Part #
1997-1999	K3500	Cab & Chassis; 159.5" WB; 168.5" WB	N	7	5-160X*	5-1410-1X* 5-1410X**	
	K3500	Crew Cab; Extended Cab; w/ Aluminum Shaft	N	7		5-3615X**	
	K3500	Crew Cab; Extended Cab; w/ Steel Shaft	N	7	5-178X*	5-1350-1X* 5-1350X**	SPL30-1350XC**
1999	K3500	Cab & Chassis; 135.5" WB; 141.5" WB; 159.5" WB; 168.5" WB	N	5,9	5-160X*	5-1410-1X* 5-1410X**	
2000	K3500	1-Piece Driveshaft	L	2,3	5-3147X*	5-795X**	
	K3500	V8 5.7L; 1-Piece Driveshaft	L	5,9	5-178X*	5-1350-1X* 5-1350X**	SPL30-1350XC**
	K3500	V8 6.5L; 1-Piece Driveshaft	L	5,9	5-160X*	5-1410-1X* 5-1410X**	
	K3500	V8 7.4L; 1-Piece Driveshaft	L	5,9	5-160X*	5-1410-1X* 5-1410X**	
1983-1987	S15	1-Piece Driveshaft	L	2,3	5-3213X*		
	S15	2-Piece Driveshaft	N	2,3	5-3213X*		
1983-1990	S15	1-Piece Driveshaft	L	5,9	5-3147X*	5-795X**	
	S15	2-Piece Driveshaft	N	5,7,9	5-3147X*	5-795X**	
1988-1990	S15	1-Piece Driveshaft; w/ Press-on Slip Yoke Seal	L	2	5-3249X*		
	S15	1-Piece Driveshaft; w/ Screw-on Slip Yoke Seal	L	2,3	5-3213X*		
	S15	1-Piece Driveshaft; w/ Press-on Slip Yoke Seal	L	3	5-153X*	5-1310-1X* 5-1310X**	
	S15	2-Piece Driveshaft; w/ Press-on Slip Yoke Seal	N	2	5-3249X*		
	S15	2-Piece Driveshaft; w/ Screw-on Slip Yoke Seal	N	2,3	5-3213X*		
	S15	2-Piece Driveshaft; w/ Press-on Slip Yoke Seal	N	3	5-153X*	5-1310-1X* 5-1310X**	
1983-1987	S15 Jimmy		L	2,3	5-3213X*		
1983-1991	S15 Jimmy		L	5,9	5-3147X*	5-795X**	
1988-1991	S15 Jimmy	w/ Press-on Slip Yoke Seal	L	2	5-3249X*		
	S15 Jimmy	w/ Screw-on Slip Yoke Seal	L	2,3	5-3213X*		
	S15 Jimmy	w/ Press-on Slip Yoke Seal	L	3	5-153X*	5-1310-1X* 5-1310X**	
1990-2002	Safari		L	2,5	5-3147X*	5-795X**	
	Safari	w/ Aluminum Shaft	L	9		5-3615X**	
	Safari	w/ Steel Shaft	L	9	5-178X*	5-1350-1X* 5-1350X**	SPL30-1350XC**

\* GREASEABLE \*\* NON-GREASEABLE

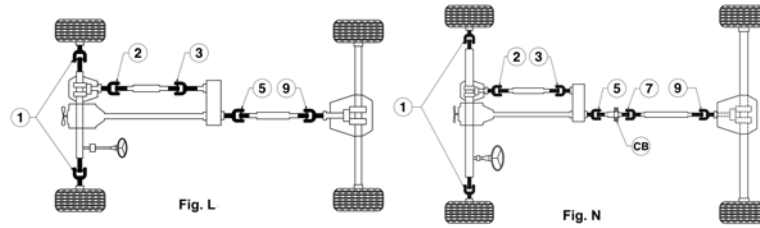
4  
W  
D

**GMC (Cont'd)**

Year	Model	Description	Fig.	Location	Spicer Part #	SPL (Uncoated) Part #	SPL (Coated) Part #
2003-2005	Safari		L	2,5,9	5-3147X*	5-795X**	
2007-2013	Savana 1500	V8 5.3L; Base; 1-Piece Driveshaft	L	2,3,5,9	5-3147X*	5-795X**	
	Savana 1500	V8 5.3L; LS; 1-Piece Driveshaft	L	2,3,5,9	5-3147X*	5-795X**	
	Savana 1500	V8 5.3L; LT; 1-Piece Driveshaft	L	2,3,5,9	5-3147X*	5-795X**	
2014	Savana 1500	V8 5.3L; 1-Piece Driveshaft	L	2,3,5,9	5-3147X*	5-795X**	
1999-2001	Sierra 1500	Extended Cab; Standard Bed; 1-Piece Driveshaft	L	5	5-213X*	5-1330-1X* 5-1330X**	
	Sierra 1500	Extended Cab; Standard Bed; 1-Piece Driveshaft	L	9	5-212X*	5-793X**	
1999-2004	Sierra 1500	Standard Cab; 1-Piece Driveshaft	L	5,9	5-3147X*	5-795X**	
	Sierra 1500	Extended Cab; Long Bed; 2-Piece Driveshaft	N	5,7	5-213X*	5-1330-1X* 5-1330X**	
	Sierra 1500	Extended Cab; Long Bed; 2-Piece Driveshaft	N	9	5-212X*	5-793X**	
1999-2006	Sierra 1500	1-Piece Driveshaft	L	2,3	5-3147X*	5-795X**	
	Sierra 1500	2-Piece Driveshaft	N	2,3	5-3147X*	5-795X**	
2002-2004	Sierra 1500	Extended Cab; Standard Bed; 1-Piece Driveshaft; w/o QuadraSteer	L	5	5-213X*	5-1330-1X* 5-1330X**	
	Sierra 1500	Extended Cab; Standard Bed; 1-Piece Driveshaft; w/ QuadraSteer	L	5,9	5-178X*	5-1350-1X* 5-1350X**	SPL30-1350XC**
	Sierra 1500	Extended Cab; Standard Bed; 1-Piece Driveshaft; w/o QuadraSteer	L	9	5-212X*	5-793X**	
2004	Sierra 1500	Crew Cab; 2-Piece Driveshaft	N	5,7,9	5-178X*	5-1350-1X* 5-1350X**	SPL30-1350XC**
2005	Sierra 1500	Crew Cab; 1-Piece Driveshaft; w/o QuadraSteer	L	5,9	5-178X*	5-1350-1X* 5-1350X**	SPL30-1350XC**
	Sierra 1500	Crew Cab; Extended Cab; 1-Piece Driveshaft; w/ QuadraSteer	L	5,9	5-178X*	5-1350-1X* 5-1350X**	SPL30-1350XC**
	Sierra 1500	Extended Cab; Standard Bed; 1-Piece Driveshaft; w/o QuadraSteer	L	5,9	5-178X*	5-1350-1X* 5-1350X**	SPL30-1350XC**
	Sierra 1500	Standard Cab; 1-Piece Driveshaft; w/ Inside Snap Rings	L	5,9	5-3147X*	5-795X**	
	Sierra 1500	Standard Cab; 1-Piece Driveshaft; w/ Outside Snap Rings	L	5,9	5-178X*	5-1350-1X* 5-1350X**	SPL30-1350XC**
	Sierra 1500	Extended Cab; Long Bed; 2-Piece Driveshaft; w/ 1.062" Bearing Cup Dia.	N	5,7	5-213X*	5-1330-1X* 5-1330X**	
	Sierra 1500	Extended Cab; Long Bed; 2-Piece Driveshaft; w/ 1.188" Bearing Cup Dia.; w/o QuadraSteer	N	5,7,9	5-178X*	5-1350-1X* 5-1350X**	SPL30-1350XC**
	Sierra 1500	Extended Cab; Long Bed; 2-Piece Driveshaft; w/ 1.062" & 1.125" Bearing Cup Dia.	N	7	5-212X*	5-793X**	
2006	Sierra 1500	Crew Cab; Standard Cab; 1-Piece Driveshaft	L	5,9	5-178X*	5-1350-1X* 5-1350X**	SPL30-1350XC**
	Sierra 1500	Extended Cab; Standard Bed; 1-Piece Driveshaft	L	5,9	5-178X*	5-1350-1X* 5-1350X**	SPL30-1350XC**
	Sierra 1500	Extended Cab; Long Bed; 2-Piece Driveshaft	N	5,7,9	5-178X*	5-1350-1X* 5-1350X**	SPL30-1350XC**
2007-2013	Sierra 1500		L	2,3	5-3147X*	5-795X**	
	Sierra 1500		L	5,9	5-178X*	5-1350-1X* 5-1350X**	SPL30-1350XC**
2014-2016	Sierra 1500	V8 5.3L; 1-Piece Driveshaft	L	2,3	5-3147X*	5-795X**	
	Sierra 1500	V8 6.2L; 1-Piece Driveshaft	L	2,3	5-3147X*	5-795X**	
	Sierra 1500	V8 5.3L; 1-Piece Driveshaft	L	5,9	5-160X*	5-1410-1X* 5-1410X**	
	Sierra 1500	V8 6.2L; 1-Piece Driveshaft	L	5,9	5-160X*	5-1410-1X* 5-1410X**	
2007	Sierra 1500 Classic	1-Piece Driveshaft	L	2,3	5-3147X*	5-795X**	
	Sierra 1500 Classic	Crew Cab; 1-Piece Driveshaft; w/ Aluminum Yoke	L	5,9		5-3615X**	
	Sierra 1500 Classic	Crew Cab; 1-Piece Driveshaft; w/ Steel Yoke	L	5,9	5-178X*	5-1350-1X* 5-1350X**	SPL30-1350XC**
	Sierra 1500 Classic	Extended Cab; 78.0" Bed; 1-Piece Driveshaft; w/ Aluminum Yoke	L	5,9		5-3615X**	

\* GREASEABLE \*\* NON-GREASEABLE





**GMC (Cont'd)**

Year	Model	Description	Fig.	Location	Spicer Part #	SPL (Uncoated) Part #	SPL (Coated) Part #
2007	Sierra 1500 Classic	Extended Cab; 78.0" Bed; 1-Piece Driveshaft; w/ Steel Yoke	L	5,9	5-178X*	5-1350-1X* 5-1350X**	SPL30-1350XC**
	Sierra 1500 Classic	Extended Cab; 96.0" Bed; 1-Piece Driveshaft; w/ Aluminum Yoke	L	5,9		5-3615X**	
	Sierra 1500 Classic	Extended Cab; 96.0" Bed; 1-Piece Driveshaft; w/ Steel Yoke	L	5,9	5-178X*	5-1350-1X* 5-1350X**	SPL30-1350XC**
	Sierra 1500 Classic	Standard Cab; 1-Piece Driveshaft	L	5,9	5-3208X**		
	Sierra 1500 Classic	2-Piece Driveshaft	N	2,3	5-3147X*	5-795X**	
	Sierra 1500 Classic	Extended Cab; 96.0" Bed; 2-Piece Driveshaft; w/ Aluminum Yoke	N	5,7,9		5-3615X**	
	Sierra 1500 Classic	Extended Cab; 96.0" Bed; 2-Piece Driveshaft; w/ Steel Yoke	N	5,7,9	5-178X*	5-1350-1X* 5-1350X**	SPL30-1350XC**
	Sierra 1500 Classic	Crew Cab; 2-Piece Driveshaft; w/ Aluminum Yoke	N	5,9		5-3615X**	
	Sierra 1500 Classic	Crew Cab; 2-Piece Driveshaft; w/ Steel Yoke	N	5,9	5-178X*	5-1350-1X* 5-1350X**	SPL30-1350XC**
	Sierra 1500 Classic	Extended Cab; 78.0" Bed; 2-Piece Driveshaft; w/ Aluminum Yoke	N	5,9		5-3615X**	
	Sierra 1500 Classic	Extended Cab; 78.0" Bed; 2-Piece Driveshaft; w/ Steel Yoke	N	5,9	5-178X*	5-1350-1X* 5-1350X**	SPL30-1350XC**
	Sierra 1500 Classic	Standard Cab; 2-Piece Driveshaft	N	5,9	5-3208X**		
2001	Sierra 1500 HD		N	5,7	5-213X*	5-1330-1X* 5-1330X**	
	Sierra 1500 HD		N	9	5-212X*	5-793X**	
2001-2003	Sierra 1500 HD		N	2,3	5-3147X*	5-795X**	
2002-2003	Sierra 1500 HD		N	5,7,9	5-178X*	5-1350-1X* 5-1350X**	SPL30-1350XC**
2005	Sierra 1500 HD		L	5,9	5-178X*	5-1350-1X* 5-1350X**	SPL30-1350XC**
2005-2006	Sierra 1500 HD		L	2,3	5-3147X*	5-795X**	
2006	Sierra 1500 HD	w/ Aluminum Yoke	L	5,9		5-3615X**	
	Sierra 1500 HD	w/ Steel Yoke	L	5,9	5-178X*	5-1350-1X* 5-1350X**	SPL30-1350XC**
2007	Sierra 1500 HD Classic	w/ Aluminum Shaft	N	2,3	5-3147X*	5-795X**	
	Sierra 1500 HD Classic	w/ Aluminum Shaft	N	5,7,9		5-3615X**	
1999-2000	Sierra 2500	Auto Trans; w/ Aluminum Yoke	N	5,7,9		5-3615X**	
	Sierra 2500	Auto Trans; w/ Steel Yoke	N	5,7,9	5-178X*	5-1350-1X* 5-1350X**	SPL30-1350XC**
	Sierra 2500	Standard Trans; w/ Aluminum Yoke	N	5,9		5-3616X**	
	Sierra 2500	Standard Trans; w/ Steel Yoke	N	5,9	5-160X*	5-1410-1X* 5-1410X**	
2001-2003	Sierra 2500		L	2,3	5-3147X*	5-795X**	
	Sierra 2500	w/ Aluminum Yoke	L	5,9		5-3615X**	
	Sierra 2500	w/ Steel Yoke	L	5,9	5-178X*	5-1350-1X* 5-1350X**	SPL30-1350XC**
2004	Sierra 2500		N	2,3	5-3147X*	5-795X**	
	Sierra 2500	Crew Cab; Extended Cab; Standard Cab; w/ Aluminum Yoke	N	5,9		5-3615X**	
	Sierra 2500	Crew Cab; Extended Cab; Standard Cab; w/ Steel Yoke	N	5,9	5-178X*	5-1350-1X* 5-1350X**	SPL30-1350XC**

\* GREASEABLE \*\* NON-GREASEABLE

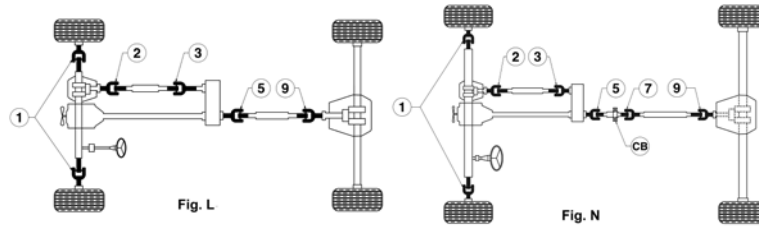
4  
W  
D

**GMC (Cont'd)**

Year	Model	Description	Fig.	Location	Spicer Part #	SPL (Uncoated) Part #	SPL (Coated) Part #
2004	Sierra 2500	Crew Cab; w/ Aluminum Yoke	N	7		5-3615X**	
	Sierra 2500	Crew Cab; w/ Steel Yoke	N	7	5-178X*	5-1350-1X* 5-1350X**	SPL30-1350XC**
2001-2004	Sierra 2500 HD	1-Piece Driveshaft; w/ AAM 1415 Series	L	5,9	5-3207X**		
	Sierra 2500 HD	1-Piece Driveshaft; w/ Spicer 1410 Series	L	5,9	5-160X*	5-1410-1X* 5-1410X**	
	Sierra 2500 HD	1-Piece Driveshaft; w/ Spicer 1480 Series	L	5,9	5-188X*	SPL55-1X* SPL55X**	
	Sierra 2500 HD	2-Piece Driveshaft; w/ AAM 1415 Series	N	5,7,9	5-3207X**		
	Sierra 2500 HD	2-Piece Driveshaft; w/ Spicer 1410 Series	N	5,7,9	5-160X*	5-1410-1X* 5-1410X**	
	Sierra 2500 HD	2-Piece Driveshaft; w/ Spicer 1480 Series	N	5,7,9	5-188X*	SPL55-1X* SPL55X**	
	Sierra 2500 HD	2-Piece Driveshaft; w/ Spicer 1410 Series	N	5,7,9	5-160X*	5-1410-1X* 5-1410X**	
2005	Sierra 2500 HD	Crew Cab; Standard Trans; 6-Speed; 1-Piece Driveshaft	L	5,9	5-188X*	SPL55-1X* SPL55X**	
	Sierra 2500 HD	Extended Cab; 78.0" Bed; Auto Trans; 5-Speed; 1-Piece Driveshaft	L	5,9	5-188X*	SPL55-1X* SPL55X**	
	Sierra 2500 HD	Extended Cab; 78.0" Bed; Standard Trans; 6-Speed; 1-Piece Driveshaft	L	5,9	5-188X*	SPL55-1X* SPL55X**	
	Sierra 2500 HD	Extended Cab; 96.0" Bed; Standard Trans; 6-Speed; 1-Piece Driveshaft	L	5,9	5-188X*	SPL55-1X* SPL55X**	
	Sierra 2500 HD	Standard Cab; Auto Trans; 5-Speed; 1-Piece Driveshaft	L	5,9	5-188X*	SPL55-1X* SPL55X**	
	Sierra 2500 HD	Standard Cab; Standard Trans; 6-Speed; 1-Piece Driveshaft	L	5,9	5-188X*	SPL55-1X* SPL55X**	
	Sierra 2500 HD	Crew Cab; Standard Trans; 6-Speed; 2-Piece Driveshaft	N	5,7,9	5-188X*	SPL55-1X* SPL55X**	
	Sierra 2500 HD	Extended Cab; 78.0" Bed; Auto Trans; 5-Speed; 2-Piece Driveshaft	N	5,7,9	5-188X*	SPL55-1X* SPL55X**	
	Sierra 2500 HD	Extended Cab; 78.0" Bed; Standard Trans; 6-Speed; 2-Piece Driveshaft	N	5,7,9	5-188X*	SPL55-1X* SPL55X**	
	Sierra 2500 HD	Extended Cab; 96.0" Bed; Standard Trans; 6-Speed; 2-Piece Driveshaft	N	5,7,9	5-188X*	SPL55-1X* SPL55X**	
	Sierra 2500 HD	Standard Cab; Auto Trans; 5-Speed; 2-Piece Driveshaft	N	5,7,9	5-188X*	SPL55-1X* SPL55X**	
	Sierra 2500 HD	Standard Cab; Standard Trans; 6-Speed; 2-Piece Driveshaft	N	5,7,9	5-188X*	SPL55-1X* SPL55X**	
	2005-2006	Sierra 2500 HD	Crew Cab; Auto Trans; 1-Piece Driveshaft	L	5,9	5-160X*	5-1410-1X* 5-1410X**
Sierra 2500 HD		Crew Cab; Standard Trans; 5-Speed; 1-Piece Driveshaft	L	5,9	5-160X*	5-1410-1X* 5-1410X**	
Sierra 2500 HD		Extended Cab; 78.0" Bed; Auto Trans; 4-Speed; 1-Piece Driveshaft	L	5,9	5-160X*	5-1410-1X* 5-1410X**	
Sierra 2500 HD		Extended Cab; 78.0" Bed; Standard Trans; 5-Speed; 1-Piece Driveshaft	L	5,9	5-160X*	5-1410-1X* 5-1410X**	
Sierra 2500 HD		Extended Cab; 96.0" Bed; Auto Trans; 1-Piece Driveshaft	L	5,9	5-160X*	5-1410-1X* 5-1410X**	
Sierra 2500 HD		Extended Cab; 96.0" Bed; Standard Trans; 5-Speed; 1-Piece Driveshaft	L	5,9	5-160X*	5-1410-1X* 5-1410X**	
Sierra 2500 HD		Standard Cab; Auto Trans; 4-Speed; 1-Piece Driveshaft; w/ AAM 1415 Series	L	5,9	5-3207X**		
Sierra 2500 HD		Standard Cab; Standard Trans; 5-Speed; 1-Piece Driveshaft; w/ AAM 1415 Series	L	5,9	5-3207X**		
Sierra 2500 HD		Crew Cab; Auto Trans; 2-Piece Driveshaft	N	5,7,9	5-160X*	5-1410-1X* 5-1410X**	
Sierra 2500 HD		Crew Cab; Standard Trans; 5-Speed; 2-Piece Driveshaft	N	5,7,9	5-160X*	5-1410-1X* 5-1410X**	
Sierra 2500 HD		Extended Cab; 78.0" Bed; Auto Trans; 4-Speed; 2-Piece Driveshaft	N	5,7,9	5-160X*	5-1410-1X* 5-1410X**	
Sierra 2500 HD		Extended Cab; 78.0" Bed; Standard Trans; 5-Speed; 2-Piece Driveshaft	N	5,7,9	5-160X*	5-1410-1X* 5-1410X**	
Sierra 2500 HD		Extended Cab; 96.0" Bed; Auto Trans; 2-Piece Driveshaft	N	5,7,9	5-160X*	5-1410-1X* 5-1410X**	

\* GREASEABLE \*\* NON-GREASEABLE

4  
W  
D



**GMC (Cont'd)**

Year	Model	Description	Fig.	Location	Spicer Part #	SPL (Uncoated) Part #	SPL (Coated) Part #
2005-2006	Sierra 2500 HD	Extended Cab; 96.0" Bed; Standard Trans; 5-Speed; 2-Piece Driveshaft	N	5,7,9	5-160X*	5-1410-1X* 5-1410X**	
	Sierra 2500 HD	Standard Cab; Auto Trans; 4-Speed; 2-Piece Driveshaft; w/ AAM 1415 Series	N	5,7,9	5-3207X**		
	Sierra 2500 HD	Standard Cab; Standard Trans; 5-Speed; 2-Piece Driveshaft; w/ AAM 1415 Series	N	5,7,9	5-3207X**		
2006	Sierra 2500 HD	Diesel; 1-Piece Driveshaft	L	2,3	5-3147X*	5-795X**	
	Sierra 2500 HD	Gas; 1-Piece Driveshaft	L	2,3	5-3147X*	5-795X**	
	Sierra 2500 HD	Crew Cab; Standard Trans; 6-Speed; 1-Piece Driveshaft	L	5		SPL55-1X* SPL55X**	
	Sierra 2500 HD	Diesel; 6.6L; 133.0" WB; 143.5" WB; 1-Piece Driveshaft	L	5		SPL55-1X* SPL55X**	
	Sierra 2500 HD	Exc Cab & Chassis; Auto Trans; 5-Speed; 1-Piece Driveshaft	L	5	5-188X*		
	Sierra 2500 HD	Exc Cab & Chassis; Standard Trans; 6-Speed; 1-Piece Driveshaft	L	5	5-188X*		
	Sierra 2500 HD	Extended Cab; 78.0" Bed; Auto Trans; 5-Speed; 1-Piece Driveshaft	L	5		SPL55-1X* SPL55X**	
	Sierra 2500 HD	Extended Cab; 78.0" Bed; Standard Trans; 6-Speed; 1-Piece Driveshaft	L	5		SPL55-1X* SPL55X**	
	Sierra 2500 HD	Extended Cab; 96.0" Bed; Standard Trans; 6-Speed; 1-Piece Driveshaft	L	5		SPL55-1X* SPL55X**	
	Sierra 2500 HD	Gas; 8.1L; 133.0" WB; 143.5" WB; 1-Piece Driveshaft	L	5		SPL55-1X* SPL55X**	
	Sierra 2500 HD	Standard Cab; Auto Trans; 5-Speed; 1-Piece Driveshaft	L	5		SPL55-1X* SPL55X**	
	Sierra 2500 HD	Standard Cab; Standard Trans; 6-Speed; 1-Piece Driveshaft	L	5		SPL55-1X* SPL55X**	
	Sierra 2500 HD	Diesel; 6.6L; Auto Trans; 153.0" WB; 157.5" WB; 1-Piece Driveshaft	L	5,9	5-160X*	5-1410-1X* 5-1410X**	
	Sierra 2500 HD	Gas; 6.0L; 133.0" WB; 1-Piece Driveshaft	L	5,9	5-160X*	5-1410-1X* 5-1410X**	
	Sierra 2500 HD	Gas; 6.0L; 143.5" WB; 1-Piece Driveshaft	L	5,9	5-160X*	5-1410-1X* 5-1410X**	
	Sierra 2500 HD	Gas; 6.0L; Auto Trans; 153.0" WB; 157.5" WB; 1-Piece Driveshaft	L	5,9	5-160X*	5-1410-1X* 5-1410X**	
	Sierra 2500 HD	Gas; 8.1L; Auto Trans; 153.0" WB; 157.5" WB; 1-Piece Driveshaft	L	5,9	5-160X*	5-1410-1X* 5-1410X**	
	Sierra 2500 HD	Crew Cab; Standard Trans; 6-Speed; 1-Piece Driveshaft	L	9	5-188X*	SPL55-1X* SPL55X**	
	Sierra 2500 HD	Diesel; 6.6L; 133.0" WB; 143.5" WB; 1-Piece Driveshaft	L	9	5-188X*	SPL55-1X* SPL55X**	
	Sierra 2500 HD	Extended Cab; 78.0" Bed; Auto Trans; 5-Speed; 1-Piece Driveshaft	L	9	5-188X*	SPL55-1X* SPL55X**	
	Sierra 2500 HD	Extended Cab; 78.0" Bed; Standard Trans; 6-Speed; 1-Piece Driveshaft	L	9	5-188X*	SPL55-1X* SPL55X**	
Sierra 2500 HD	Extended Cab; 96.0" Bed; Standard Trans; 6-Speed; 1-Piece Driveshaft	L	9	5-188X*	SPL55-1X* SPL55X**		
Sierra 2500 HD	Gas; 8.1L; 133.0" WB; 143.5" WB; 1-Piece Driveshaft	L	9	5-188X*	SPL55-1X* SPL55X**		
Sierra 2500 HD	Standard Cab; Auto Trans; 5-Speed; 1-Piece Driveshaft	L	9	5-188X*	SPL55-1X* SPL55X**		

\* GREASEABLE \*\* NON-GREASEABLE

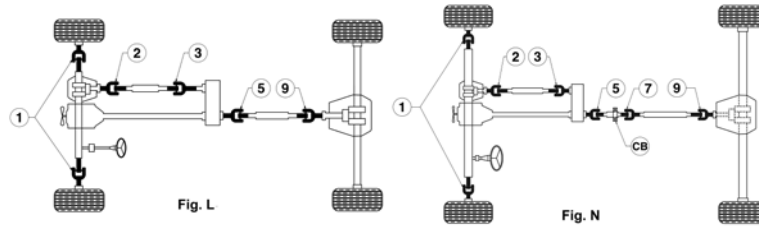
4  
W  
D

**GMC (Cont'd)**

Year	Model	Description	Fig.	Location	Spicer Part #	SPL (Uncoated) Part #	SPL (Coated) Part #
2006	Sierra 2500 HD	Standard Cab; Standard Trans; 6-Speed; 1-Piece Driveshaft	L	9	5-188X*	SPL55-1X* SPL55X**	
	Sierra 2500 HD	Diesel; 2-Piece Driveshaft	N	2,3	5-3147X*	5-795X**	
	Sierra 2500 HD	Gas; 2-Piece Driveshaft	N	2,3	5-3147X*	5-795X**	
	Sierra 2500 HD	Crew Cab; Standard Trans; 6-Speed; 2-Piece Driveshaft	N	5		SPL55-1X* SPL55X**	
	Sierra 2500 HD	Diesel; 6.6L; Standard Trans; 153.0" WB; 157.5" WB; 2-Piece Driveshaft	N	5		SPL55-1X* SPL55X**	
	Sierra 2500 HD	Diesel; 6.6L; Standard Trans; 167.0" WB; 2-Piece Driveshaft	N	5		SPL55-1X* SPL55X**	
	Sierra 2500 HD	Exc Cab & Chassis; Auto Trans; 5-Speed; 2-Piece Driveshaft	N	5	5-188X*		
	Sierra 2500 HD	Exc Cab & Chassis; Standard Trans; 6-Speed; 2-Piece Driveshaft	N	5	5-188X*		
	Sierra 2500 HD	Extended Cab; 78.0" Bed; Auto Trans; 5-Speed; 2-Piece Driveshaft	N	5		SPL55-1X* SPL55X**	
	Sierra 2500 HD	Extended Cab; 78.0" Bed; Standard Trans; 6-Speed; 2-Piece Driveshaft	N	5		SPL55-1X* SPL55X**	
	Sierra 2500 HD	Extended Cab; 96.0" Bed; Standard Trans; 6-Speed; 2-Piece Driveshaft	N	5		SPL55-1X* SPL55X**	
	Sierra 2500 HD	Gas; 8.1L; Standard Trans; 153.0" WB; 157.5" WB; 2-Piece Driveshaft	N	5		SPL55-1X* SPL55X**	
	Sierra 2500 HD	Gas; 8.1L; Standard Trans; 167.0" WB; 2-Piece Driveshaft	N	5		SPL55-1X* SPL55X**	
	Sierra 2500 HD	Standard Cab; Auto Trans; 5-Speed; 2-Piece Driveshaft	N	5		SPL55-1X* SPL55X**	
	Sierra 2500 HD	Standard Cab; Standard Trans; 6-Speed; 2-Piece Driveshaft	N	5		SPL55-1X* SPL55X**	
	Sierra 2500 HD	Diesel; 6.6L; Auto Trans; 167.0" WB; 2-Piece Driveshaft	N	5,7,9	5-160X*	5-1410-1X* 5-1410X**	
	Sierra 2500 HD	Gas; 6.0L; 167.0" WB; 2-Piece Driveshaft	N	5,7,9	5-160X*	5-1410-1X* 5-1410X**	
	Sierra 2500 HD	Gas; 6.0L; Standard Trans; 153.0" WB; 157.5" WB; 2-Piece Driveshaft	N	5,7,9	5-160X*	5-1410-1X* 5-1410X**	
	Sierra 2500 HD	Gas; 8.1L; Auto Trans; 167.0" WB; 2-Piece Driveshaft	N	5,7,9	5-160X*	5-1410-1X* 5-1410X**	
	Sierra 2500 HD	Crew Cab; Standard Trans; 6-Speed; 2-Piece Driveshaft	N	7,9	5-188X*	SPL55-1X* SPL55X**	
	Sierra 2500 HD	Diesel; 6.6L; Standard Trans; 153.0" WB; 157.5" WB; 2-Piece Driveshaft	N	7,9	5-188X*	SPL55-1X* SPL55X**	
	Sierra 2500 HD	Diesel; 6.6L; Standard Trans; 167.0" WB; 2-Piece Driveshaft	N	7,9	5-188X*	SPL55-1X* SPL55X**	
	Sierra 2500 HD	Extended Cab; 78.0" Bed; Auto Trans; 5-Speed; 2-Piece Driveshaft	N	7,9	5-188X*	SPL55-1X* SPL55X**	
	Sierra 2500 HD	Extended Cab; 78.0" Bed; Standard Trans; 6-Speed; 2-Piece Driveshaft	N	7,9	5-188X*	SPL55-1X* SPL55X**	
	Sierra 2500 HD	Extended Cab; 96.0" Bed; Standard Trans; 6-Speed; 2-Piece Driveshaft	N	7,9	5-188X*	SPL55-1X* SPL55X**	
	Sierra 2500 HD	Gas; 8.1L; Standard Trans; 153.0" WB; 157.5" WB; 2-Piece Driveshaft	N	7,9	5-188X*	SPL55-1X* SPL55X**	
	Sierra 2500 HD	Gas; 8.1L; Standard Trans; 167.0" WB; 2-Piece Driveshaft	N	7,9	5-188X*	SPL55-1X* SPL55X**	
	Sierra 2500 HD	Standard Cab; Auto Trans; 5-Speed; 2-Piece Driveshaft	N	7,9	5-188X*	SPL55-1X* SPL55X**	
	Sierra 2500 HD	Standard Cab; Standard Trans; 6-Speed; 2-Piece Driveshaft	N	7,9	5-188X*	SPL55-1X* SPL55X**	
	2009	Sierra 2500 HD		L	2	5-3147X*	
Sierra 2500 HD			L	2		5-795X**	
Sierra 2500 HD			L	3	5-3147X*		
Sierra 2500 HD			L	3		5-795X**	
Sierra 2500 HD		6.0L	L	5		5-1410-1X*	
Sierra 2500 HD		6.0L	L	5		5-1410X**	
Sierra 2500 HD		6.0L	L	5	5-160X*		
Sierra 2500 HD		6.6L	L	5,9	5-3206X**		

\* GREASEABLE \*\* NON-GREASEABLE

4  
W  
D



**GMC (Cont'd)**

Year	Model	Description	Fig.	Location	Spicer Part #	SPL (Uncoated) Part #	SPL (Coated) Part #
2009	Sierra 2500 HD	6.0L	L	9		5-1410-1X*	
	Sierra 2500 HD	6.0L	L	9		5-1410X**	
	Sierra 2500 HD	6.0L	L	9	5-160X*		
	Sierra 2500 HD		N	2	5-3147X*		
	Sierra 2500 HD		N	2		5-795X**	
	Sierra 2500 HD		N	3	5-3147X*		
	Sierra 2500 HD		N	3		5-795X**	
	Sierra 2500 HD	6.0L	N	5		5-1410-1X*	
	Sierra 2500 HD	6.0L	N	5		5-1410X**	
	Sierra 2500 HD	6.0L	N	5	5-160X*		
	Sierra 2500 HD	6.6L	N	5,7,9	5-3206X**		
	Sierra 2500 HD	6.0L	N	7	5-160X*	5-1410-1X*	5-1410X**
	Sierra 2500 HD	6.0L	N	9		5-1410-1X*	
	Sierra 2500 HD	6.0L	N	9		5-1410X**	
2010	Sierra 2500 HD	6.0L; 1-Piece Driveshaft	L	5,9	5-160X*	5-1410-1X*	5-1410X**
	Sierra 2500 HD	6.6L; 1-Piece Driveshaft; w/ AAM 1485 Series	L	5,9	5-3206X**		
	Sierra 2500 HD	6.0L; 2-Piece Driveshaft	N	5,7,9	5-160X*	5-1410-1X*	5-1410X**
	Sierra 2500 HD	6.6L; 2-Piece Driveshaft; w/ AAM 1485 Series	N	5,7,9	5-3206X**		
2011	Sierra 2500 HD	w/ AAM 1415 Series	N	5,7,9	5-3207X**		
	Sierra 2500 HD	w/ AAM 1485 Series	N	5,7,9	5-3206X**		
	Sierra 2500 HD	w/ Spicer Driveshaft	N	5,7,9	5-160X*	5-1410-1X*	5-1410X**
2011-2013	Sierra 2500 HD		N	2,3	5-3147X*	5-795X**	
2012-2013	Sierra 2500 HD	6.0L; w/ AAM 1415 Series	N	5,7,9	5-3207X**		
	Sierra 2500 HD	6.6L; w/ AAM 1485 Series	N	5,7,9	5-3206X**		
2014	Sierra 2500 HD	V8 6.0L; WT; 1-Piece Driveshaft	L	5,9	5-160X*	5-1410-1X*	5-1410X**
	Sierra 2500 HD	V8 6.6L; WT; 133.6" WB; 1-Piece Driveshaft	L	5,9	5-188X*	SPL55-1X*	SPL55X**
	Sierra 2500 HD	V8 6.0L; WT; 2-Piece Driveshaft	N	7,9	5-160X*	5-1410-1X*	5-1410X**
	Sierra 2500 HD	V8 6.6L; WT; 153.7" WB; 2-Piece Driveshaft	N	7,9	5-188X*	SPL55-1X*	SPL55X**
	Sierra 2500 HD	V8 6.6L; WT; 167.7" WB; 2-Piece Driveshaft	N	7,9	5-188X*	SPL55-1X*	SPL55X**
2014-2015	Sierra 2500 HD	V8 6.0L; Denali; 2-Piece Driveshaft	N	7,9	5-160X*	5-1410-1X*	5-1410X**
	Sierra 2500 HD	V8 6.0L; SLE; 2-Piece Driveshaft	N	7,9	5-160X*	5-1410-1X*	5-1410X**
	Sierra 2500 HD	V8 6.0L; SLT; 2-Piece Driveshaft	N	7,9	5-160X*	5-1410-1X*	5-1410X**
	Sierra 2500 HD	V8 6.6L; SLE; 153.7" WB; 2-Piece Driveshaft	N	7,9	5-188X*	SPL55-1X*	SPL55X**
	Sierra 2500 HD	V8 6.6L; SLE; 167.7" WB; 2-Piece Driveshaft	N	7,9	5-188X*	SPL55-1X*	SPL55X**

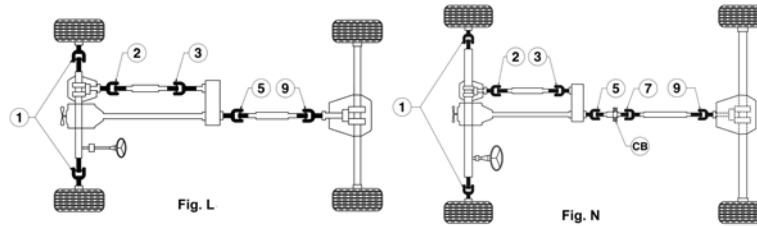
\* GREASEABLE \*\* NON-GREASEABLE

4  
W  
D

**GMC (Cont'd)**

Year	Model	Description	Fig.	Location	Spicer Part #	SPL (Uncoated) Part #	SPL (Coated) Part #
2014-2015	Sierra 2500 HD	V8 6.6L; SLT; 2-Piece Driveshaft	N	7,9	5-188X*	SPL55-1X* SPL55X**	
	Sierra 2500 HD	V8 6.6L; Denali; 2-Piece Driveshaft	N	9	5-188X*	SPL55-1X* SPL55X**	
2014-2016	Sierra 2500 HD	1-Piece Driveshaft	L	2,3	5-3147X*	5-795X**	
	Sierra 2500 HD	V8 6.0L; Denali; 1-Piece Driveshaft	L	5,9	5-160X*	5-1410-1X* 5-1410X**	
	Sierra 2500 HD	V8 6.0L; SLE; 1-Piece Driveshaft	L	5,9	5-160X*	5-1410-1X* 5-1410X**	
	Sierra 2500 HD	V8 6.0L; SLT; 1-Piece Driveshaft	L	5,9	5-160X*	5-1410-1X* 5-1410X**	
	Sierra 2500 HD	V8 6.6L; SLE; 133.6" WB; 1-Piece Driveshaft	L	5,9	5-188X*	SPL55-1X* SPL55X**	
2015	Sierra 2500 HD	2-Piece Driveshaft	N	2,3	5-3147X*	5-795X**	
	Sierra 2500 HD	V8 6.0L; Base; 2-Piece Driveshaft	N	7,9	5-160X*	5-1410-1X* 5-1410X**	
	Sierra 2500 HD	V8 6.6L; Base; 2-Piece Driveshaft	N	7,9	5-160X*	5-1410-1X* 5-1410X**	
	Sierra 2500 HD	V8 6.6L; SLE; 144.2" WB; 2-Piece Driveshaft	N	7,9	5-188X*	SPL55-1X* SPL55X**	
2015-2016	Sierra 2500 HD	V8 6.6L; SLE; 158.1" WB; 2-Piece Driveshaft	N	7,9	5-188X*	SPL55-1X* SPL55X**	
	Sierra 2500 HD	V8 6.0L; Base; 1-Piece Driveshaft	L	5,9	5-160X*	5-1410-1X* 5-1410X**	
2016	Sierra 2500 HD	V8 6.6L; Base; 1-Piece Driveshaft	L	5,9	5-160X*	5-1410-1X* 5-1410X**	
	Sierra 2500 HD	2-Piece Driveshaft; with 1480 Series	N	7		SPL55-1X* SPL55X**	
	Sierra 2500 HD	V8 6.0L; 2-Piece Driveshaft	N	7	5-160X*		
	Sierra 2500 HD	V8 6.6L; 2-Piece Driveshaft	N	7	5-160X*		
	Sierra 2500 HD	V8 6.6L; Exc. 133.6" WB; 2-Piece Driveshaft	N	7	5-188X*		
	Sierra 2500 HD	V8 6.0L; Base; 2-Piece Driveshaft	N	9	5-160X*		
	Sierra 2500 HD	V8 6.0L; Base; 2-Piece Driveshaft; 1410 Series	N	9		5-1410-1X* 5-1410X**	
	Sierra 2500 HD	V8 6.0L; Denali; 2-Piece Driveshaft	N	9	5-160X*		
	Sierra 2500 HD	V8 6.0L; Denali; 2-Piece Driveshaft; 1410 Series	N	9		5-1410-1X* 5-1410X**	
	Sierra 2500 HD	V8 6.0L; SLE; 2-Piece Driveshaft	N	9	5-160X*		
	Sierra 2500 HD	V8 6.0L; SLE; 2-Piece Driveshaft; 1410 Series	N	9		5-1410-1X* 5-1410X**	
	Sierra 2500 HD	V8 6.0L; SLT; 2-Piece Driveshaft	N	9	5-160X*		
	Sierra 2500 HD	V8 6.0L; SLT; 2-Piece Driveshaft; 1410 Series	N	9		5-1410-1X* 5-1410X**	
	Sierra 2500 HD	V8 6.6L; Base; 2-Piece Driveshaft	N	9	5-160X*		
	Sierra 2500 HD	V8 6.6L; Base; 2-Piece Driveshaft; 1410 Series	N	9		5-1410-1X* 5-1410X**	
	Sierra 2500 HD	V8 6.6L; Denali; 2-Piece Driveshaft	N	9	5-188X*		
	Sierra 2500 HD	V8 6.6L; Denali; 2-Piece Driveshaft; 1410 Series	N	9		SPL55-1X* SPL55X**	
	Sierra 2500 HD	V8 6.6L; SLE; 144.2" WB; 2-Piece Driveshaft	N	9	5-188X*		
	Sierra 2500 HD	V8 6.6L; SLE; 144.2" WB; 2-Piece Driveshaft; 1410 Series	N	9		SPL55-1X* SPL55X**	
	Sierra 2500 HD	V8 6.6L; SLE; 153.7" WB; 2-Piece Driveshaft	N	9	5-188X*		
	Sierra 2500 HD	V8 6.6L; SLE; 153.7" WB; 2-Piece Driveshaft; 1410 Series	N	9		SPL55-1X* SPL55X**	
	Sierra 2500 HD	V8 6.6L; SLE; 158.1" WB; 2-Piece Driveshaft	N	9	5-188X*		
	Sierra 2500 HD	V8 6.6L; SLE; 158.1" WB; 2-Piece Driveshaft; 1410 Series	N	9		SPL55-1X* SPL55X**	
	Sierra 2500 HD	V8 6.6L; SLE; 167.7" WB; 2-Piece Driveshaft	N	9	5-188X*		
	Sierra 2500 HD	V8 6.6L; SLE; 167.7" WB; 2-Piece Driveshaft; 1410 Series	N	9		SPL55-1X* SPL55X**	
	Sierra 2500 HD	V8 6.6L; SLT; 2-Piece Driveshaft	N	9	5-188X*		

\* GREASEABLE \*\* NON-GREASEABLE



**GMC (Cont'd)**

Year	Model	Description	Fig.	Location	Spicer Part #	SPL (Uncoated) Part #	SPL (Coated) Part #
2016	Sierra 2500 HD	V8 6.6L; SLT; 2-Piece Driveshaft; 1410 Series	N	9		SPL55-1X* SPL55X**	
2001-2005	Sierra 3500	Standard Cab; 1-Piece Driveshaft; w/ AAM 1415 Series	L	5,9	5-3207X**		
	Sierra 3500	Standard Cab; 2-Piece Driveshaft; w/ AAM 1415 Series	N	5,9	5-3207X**		
2001-2006	Sierra 3500	1-Piece Driveshaft	L	2,3	5-3147X*	5-795X**	
	Sierra 3500	Cab & Chassis; Crew Cab; Extended Cab; 1-Piece Driveshaft; w/ Spicer 1410 Series; w/ Aluminum Yoke	L	5,9		5-3616X**	
	Sierra 3500	Cab & Chassis; Crew Cab; Extended Cab; 1-Piece Driveshaft; w/ Spicer 1410 Series; w/ Steel Yoke	L	5,9	5-160X*	5-1410-1X* 5-1410X**	
	Sierra 3500	Cab & Chassis; Crew Cab; Extended Cab; Standard Cab; 1-Piece Driveshaft; w/ Spicer 1480 Series	L	5,9	5-188X*	SPL55-1X* SPL55X**	
	Sierra 3500	2-Piece Driveshaft	N	2,3	5-3147X*	5-795X**	
	Sierra 3500	Cab & Chassis; Crew Cab; Extended Cab; 2-Piece Driveshaft; w/ Spicer 1410 Series; w/ Aluminum Yoke	N	5,7,9		5-3616X**	
	Sierra 3500	Cab & Chassis; Crew Cab; Extended Cab; 2-Piece Driveshaft; w/ Spicer 1410 Series; w/ Steel Yoke	N	5,7,9	5-160X*	5-1410-1X* 5-1410X**	
	Sierra 3500	Cab & Chassis; Crew Cab; Extended Cab; Standard Cab; 2-Piece Driveshaft; w/ Spicer 1480 Series	N	5,9	5-188X*	SPL55-1X* SPL55X**	
	Sierra 3500	Cab & Chassis; Crew Cab; Extended Cab; 2-Piece Driveshaft; w/ Spicer 1480 Series	N	7	5-188X*	SPL55-1X* SPL55X**	
	2007	Sierra 3500 Classic	1-Piece Driveshaft	L	2,3	5-3147X*	5-795X**
Sierra 3500 Classic		Cab & Chassis; 137.0" WB; 161.5" WB; Auto Trans; 4-Speed; 1-Piece Driveshaft; w/ Aluminum Yoke	L	5,9		5-3616X**	
Sierra 3500 Classic		Cab & Chassis; 137.0" WB; 161.5" WB; Auto Trans; 4-Speed; 1-Piece Driveshaft; w/ Steel Yoke	L	5,9	5-160X*	5-1410-1X* 5-1410X**	
Sierra 3500 Classic		Cab & Chassis; 137.0" WB; 161.5" WB; Auto Trans; 6-Speed; 1-Piece Driveshaft	L	5,9	5-188X*	SPL55-1X* SPL55X**	
Sierra 3500 Classic		Cab & Chassis; 137.0" WB; 161.5" WB; Standard Trans; 5-Speed; 1-Piece Driveshaft; w/ Aluminum Yoke	L	5,9		5-3616X**	
Sierra 3500 Classic		Cab & Chassis; 137.0" WB; 161.5" WB; Standard Trans; 5-Speed; 1-Piece Driveshaft; w/ Steel Yoke	L	5,9	5-160X*	5-1410-1X* 5-1410X**	
Sierra 3500 Classic		Crew Cab; Extended Cab; 1-Piece Driveshaft; w/ Aluminum Yoke	L	5,9		5-3616X**	
Sierra 3500 Classic		Crew Cab; Extended Cab; 1-Piece Driveshaft; w/ Steel Yoke	L	5,9	5-160X*	5-1410-1X* 5-1410X**	
Sierra 3500 Classic		Standard Cab; Standard Trans; 5-Speed; 1-Piece Driveshaft; w/ AAM 1415 Series	L	5,9	5-3207X**		
Sierra 3500 Classic		2-Piece Driveshaft	N	2,3	5-3147X*	5-795X**	
Sierra 3500 Classic		Cab & Chassis; 137.0" WB; 161.5" WB; Auto Trans; 4-Speed; 2-Piece Driveshaft; w/ Aluminum Yoke	N	5,7,9		5-3616X**	

\* GREASEABLE \*\* NON-GREASEABLE

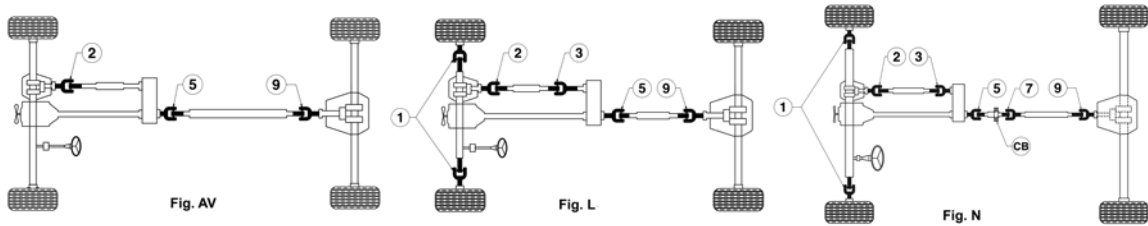
4  
W  
D

**GMC (Cont'd)**

Year	Model	Description	Fig.	Location	Spicer Part #	SPL (Uncoated) Part #	SPL (Coated) Part #	
2007	Sierra 3500 Classic	Cab & Chassis;137.0" WB; 161.5" WB; Auto Trans; 4-Speed; 2-Piece Driveshaft; w/ Steel Yoke	N	5,7,9	5-160X*	5-1410-1X* 5-1410X**		
	Sierra 3500 Classic	Cab & Chassis;137.0" WB; 161.5" WB; Auto Trans; 6-Speed; 2-Piece Driveshaft	N	5,7,9	5-188X*	SPL55-1X* SPL55X**		
	Sierra 3500 Classic	Cab & Chassis;137.0" WB; 161.5" WB; Standard Trans; 5-Speed; 2-Piece Driveshaft; w/ Aluminum Yoke	N	5,7,9		5-3616X**		
	Sierra 3500 Classic	Cab & Chassis;137.0" WB; 161.5" WB; Standard Trans; 5-Speed; 2-Piece Driveshaft; w/ Steel Yoke	N	5,7,9	5-160X*	5-1410-1X* 5-1410X**		
	Sierra 3500 Classic	Crew Cab; Extended Cab; 2-Piece Driveshaft; w/ Aluminum Yoke	N	5,7,9		5-3616X**		
	Sierra 3500 Classic	Crew Cab; Extended Cab; 2-Piece Driveshaft; w/ Steel Yoke	N	5,7,9	5-160X*	5-1410-1X* 5-1410X**		
	Sierra 3500 Classic	Standard Cab; Standard Trans; 5-Speed; 2-Piece Driveshaft; w/ AAM 1415 Series	N	5,9	5-3207X**			
2007-2013	Sierra 3500 HD	1-Piece Driveshaft; w/ AAM 1485 Series	L	5,9	5-3206X**			
	Sierra 3500 HD	2-Piece Driveshaft; w/ AAM 1485 Series	N	5,7,9	5-3206X**			
2007-2016	Sierra 3500 HD	1-Piece Driveshaft	L	2,3	5-3147X*	5-795X**		
	Sierra 3500 HD	2-Piece Driveshaft	N	2,3	5-3147X*	5-795X**		
2014	Sierra 3500 HD	V8 6.0L; WT; 133.6" WB; 1-Piece Driveshaft	L	5,9	5-188X*	SPL55-1X* SPL55X**		
	Sierra 3500 HD	V8 6.6L; WT; 133.6" WB; 1-Piece Driveshaft	L	5,9	5-188X*	SPL55-1X* SPL55X**		
	Sierra 3500 HD	V8 6.0L; WT; 137.5" WB; 2-Piece Driveshaft	N	7,9	5-188X*	SPL55-1X* SPL55X**		
	Sierra 3500 HD	V8 6.0L; WT; 153.7" WB; 2-Piece Driveshaft	N	7,9	5-188X*	SPL55-1X* SPL55X**		
	Sierra 3500 HD	V8 6.0L; WT; 162.0" WB; 2-Piece Driveshaft	N	7,9	5-188X*	SPL55-1X* SPL55X**		
	Sierra 3500 HD	V8 6.0L; WT; 167.7" WB; 2-Piece Driveshaft	N	7,9	5-188X*	SPL55-1X* SPL55X**		
	Sierra 3500 HD	V8 6.0L; WT; 171.5" WB; 2-Piece Driveshaft	N	7,9	5-188X*	SPL55-1X* SPL55X**		
	Sierra 3500 HD	V8 6.6L; WT; 137.5" WB; 2-Piece Driveshaft	N	7,9	5-188X*	SPL55-1X* SPL55X**		
	Sierra 3500 HD	V8 6.6L; WT; 153.7" WB; 2-Piece Driveshaft	N	7,9	5-188X*	SPL55-1X* SPL55X**		
	Sierra 3500 HD	V8 6.6L; WT; 162.0" WB; 2-Piece Driveshaft	N	7,9	5-188X*	SPL55-1X* SPL55X**		
	Sierra 3500 HD	V8 6.6L; WT; 167.7" WB; 2-Piece Driveshaft	N	7,9	5-188X*	SPL55-1X* SPL55X**		
	Sierra 3500 HD	V8 6.6L; WT; 171.5" WB; 2-Piece Driveshaft	N	7,9	5-188X*	SPL55-1X* SPL55X**		
	2014-2016	Sierra 3500 HD	V8 6.0L; SLE; 133.6" WB; 1-Piece Driveshaft	L	5,9	5-188X*	SPL55-1X* SPL55X**	
		Sierra 3500 HD	V8 6.6L; SLE; 133.6" WB; 1-Piece Driveshaft	L	5,9	5-188X*	SPL55-1X* SPL55X**	
		Sierra 3500 HD	V8 6.0L; Denali; 2-Piece Driveshaft	N	7,9	5-188X*	SPL55-1X* SPL55X**	
Sierra 3500 HD		V8 6.0L; SLE; 137.5" WB; 2-Piece Driveshaft	N	7,9	5-188X*	SPL55-1X* SPL55X**		
Sierra 3500 HD		V8 6.0L; SLE; 153.7" WB; 2-Piece Driveshaft	N	7,9	5-188X*	SPL55-1X* SPL55X**		
Sierra 3500 HD		V8 6.0L; SLE; 162.0" WB; 2-Piece Driveshaft	N	7,9	5-188X*	SPL55-1X* SPL55X**		
Sierra 3500 HD		V8 6.0L; SLE; 167.7" WB; 2-Piece Driveshaft	N	7,9	5-188X*	SPL55-1X* SPL55X**		
Sierra 3500 HD		V8 6.0L; SLE; 171.5" WB; 2-Piece Driveshaft	N	7,9	5-188X*	SPL55-1X* SPL55X**		
Sierra 3500 HD		V8 6.0L; SLT; 2-Piece Driveshaft	N	7,9	5-188X*	SPL55-1X* SPL55X**		
Sierra 3500 HD		V8 6.6L; Denali; 2-Piece Driveshaft	N	7,9	5-188X*	SPL55-1X* SPL55X**		

\* GREASEABLE \*\* NON-GREASEABLE





**GMC (Cont'd)**

Year	Model	Description	Fig.	Location	Spicer Part #	SPL (Uncoated) Part #	SPL (Coated) Part #
2014-2016	Sierra 3500 HD	V8 6.6L; SLE; 137.5" WB; 2-Piece Driveshaft	N	7,9	5-188X*	SPL55-1X* SPL55X**	
	Sierra 3500 HD	V8 6.6L; SLE; 153.7" WB; 2-Piece Driveshaft	N	7,9	5-188X*	SPL55-1X* SPL55X**	
	Sierra 3500 HD	V8 6.6L; SLE; 162.0" WB; 2-Piece Driveshaft	N	7,9	5-188X*	SPL55-1X* SPL55X**	
	Sierra 3500 HD	V8 6.6L; SLE; 167.7" WB; 2-Piece Driveshaft	N	7,9	5-188X*	SPL55-1X* SPL55X**	
	Sierra 3500 HD	V8 6.6L; SLE; 171.5" WB; 2-Piece Driveshaft	N	7,9	5-188X*	SPL55-1X* SPL55X**	
	Sierra 3500 HD	V8 6.6L; SLT; 2-Piece Driveshaft	N	7,9	5-188X*	SPL55-1X* SPL55X**	
2015-2016	Sierra 3500 HD	V8 6.0L; Base; 1-Piece Driveshaft	L	5,9	5-160X*	5-1410-1X* 5-1410X**	
	Sierra 3500 HD	V8 6.6L; Base; 1-Piece Driveshaft	L	5,9	5-160X*	5-1410-1X* 5-1410X**	
	Sierra 3500 HD	V8 6.0L; Base; 2-Piece Driveshaft	N	7,9	5-160X*	5-1410-1X* 5-1410X**	
	Sierra 3500 HD	V8 6.0L; SLE; 158.1" WB; 2-Piece Driveshaft	N	7,9	5-188X*	SPL55-1X* SPL55X**	
	Sierra 3500 HD	V8 6.6L; Base; 2-Piece Driveshaft	N	7,9	5-160X*	5-1410-1X* 5-1410X**	
	Sierra 3500 HD	V8 6.6L; SLE; 158.1" WB; 2-Piece Driveshaft	N	7,9	5-188X*	SPL55-1X* SPL55X**	
1991-1993	Sonoma	w/ Press-on Slip Yoke Seal	N	2	5-3249X*		
	Sonoma	w/ Screw-on Slip Yoke Seal	N	2,3	5-3213X*		
	Sonoma	w/ Press-on Slip Yoke Seal	N	3	5-153X*	5-1310-1X* 5-1310X**	
	Sonoma	Extended Cab; Standard Cab	N	5,9	5-3147X*	5-795X**	
	Sonoma	Extended Cab	N	7	5-3147X*	5-795X**	
1994-1999	Sonoma		L	2	5-3213X*		
1995-1996	Sonoma	w/ ZR2 Sport Package; w/ Aluminum Yoke	L	5		5-3614X**	
	Sonoma	w/ ZR2 Sport Package; w/ Steel Yoke	L	5	5-213X*	5-1330-1X* 5-1330X**	
	Sonoma	w/o ZR2 Sport Package	L	5,9	5-3147X*	5-795X**	
	Sonoma	w/ ZR2 Sport Package; w/ Steel Yoke	L	9	5-212X*	5-793X**	
1997-1999	Sonoma		L	5,9	5-3147X*	5-795X**	
2000	Sonoma	1-Piece Driveshaft; Electronic Controlled Transfer Case	AV	2	5-3213X*		
	Sonoma	1-Piece Driveshaft; Exc. Electronic Controlled Transfer Case	AV	2	5-3147X*	5-795X**	
2000-2004	Sonoma	1-Piece Driveshaft	AV	5,9	5-3147X*	5-795X**	
2001-2004	Sonoma	1-Piece Driveshaft	AV	2	5-3213X*		

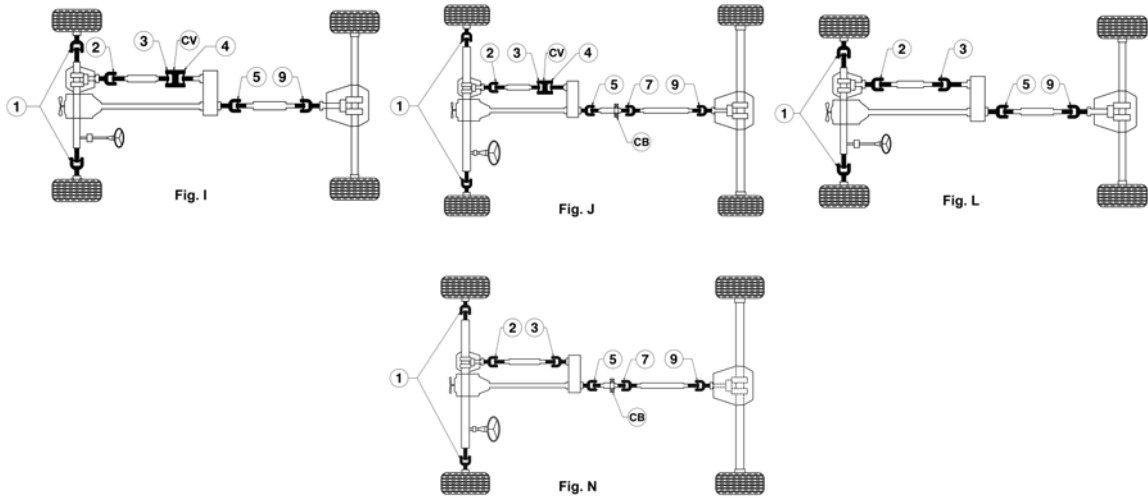
\* GREASEABLE \*\* NON-GREASEABLE

4  
W  
D

**GMC (Cont'd)**

Year	Model	Description	Fig.	Location	Spicer Part #	SPL (Uncoated) Part #	SPL (Coated) Part #	
1991	Syclone	w/ 2.688" O.D. Yoke	I	3,4	5-443X*			
	Syclone	w/ 3.469" O.D. Yoke	I	3,4	5-153X*	5-1310-1X* 5-1310X**		
	Syclone		I	5,9	5-3147X*	5-795X**		
1992-1993	Typhoon	w/ 2.688" O.D. Yoke	I	3,4	5-443X*			
	Typhoon	w/ 3.469" O.D. Yoke	I	3,4	5-153X*	5-1310-1X* 5-1310X**		
	Typhoon		I	5,9	5-3147X*	5-795X**		
1987	V1500		I	1	5-3226X*	5-760X**	5-760XC**	
	V1500		I	2	5-153X*	5-1310-1X* 5-1310X**		
	V1500		I	3,4	5-3147X*	5-795X**		
	V1500	w/ Inside Snap Rings	I	5,9	5-3147X*	5-795X**		
	V1500	w/ Outside Snap Rings	I	5,9	5-178X*	5-1350-1X* 5-1350X**	SPL30-1350XC**	
1987-1991	V1500 Suburban		I	1	5-3226X*	5-760X**	5-760XC**	
	V1500 Suburban		I	2	5-153X*	5-1310-1X* 5-1310X**		
	V1500 Suburban		I	3,4	5-3147X*	5-795X**		
	V1500 Suburban	w/ Inside Snap Rings	I	5,9	5-3147X*	5-795X**		
	V1500 Suburban	w/ Outside Snap Rings	I	5,9	5-178X*	5-1350-1X* 5-1350X**	SPL30-1350XC**	
	V1500 Suburban		I	CV	211009X			
1987	V2500	1-Piece Driveshaft	L	1	5-3226X*	5-760X**	5-760XC**	
	V2500	Standard Trans; 1-Piece Driveshaft	L	2	5-213X*	5-1330-1X* 5-1330X**		
	V2500	Auto Trans; 1-Piece Driveshaft	L	2,3	5-3147X*	5-795X**		
	V2500	Standard Trans; 1-Piece Driveshaft	L	3	5-212X*	5-793X**		
	V2500	1-Piece Driveshaft; w/ Aluminum Shaft	L	5,9		5-3615X**		
	V2500	1-Piece Driveshaft; w/ Steel Shaft	L	5,9	5-178X*	5-1350-1X* 5-1350X**	SPL30-1350XC**	
	V2500	2-Piece Driveshaft	N	1	5-3226X*	5-760X**	5-760XC**	
	V2500	Standard Trans; 2-Piece Driveshaft	N	2	5-213X*	5-1330-1X* 5-1330X**		
	V2500	Auto Trans; 2-Piece Driveshaft	N	2,3	5-3147X*	5-795X**		
	V2500	Standard Trans; 2-Piece Driveshaft	N	3	5-212X*	5-793X**		
	V2500	2-Piece Driveshaft	N	5,7,9	5-178X*	5-1350-1X* 5-1350X**	SPL30-1350XC**	
	1987-1988	V2500 Suburban	Standard Trans; 1-Piece Driveshaft	L	2	5-213X*	5-1330-1X* 5-1330X**	
		V2500 Suburban	Auto Trans; 1-Piece Driveshaft	L	2,3	5-3147X*	5-795X**	
V2500 Suburban		Standard Trans; 1-Piece Driveshaft	L	3	5-212X*	5-793X**		
V2500 Suburban		Standard Trans; 2-Piece Driveshaft	N	2	5-213X*	5-1330-1X* 5-1330X**		
V2500 Suburban		Auto Trans; 2-Piece Driveshaft	N	2,3	5-3147X*	5-795X**		
V2500 Suburban		Standard Trans; 2-Piece Driveshaft	N	3	5-212X*	5-793X**		
1987-1991	V2500 Suburban	1-Piece Driveshaft	L	1	5-3226X*	5-760X**	5-760XC**	
	V2500 Suburban	1-Piece Driveshaft; w/ Aluminum Shaft	L	5,9		5-3615X**		
	V2500 Suburban	1-Piece Driveshaft; w/ Steel Shaft	L	5,9	5-178X*	5-1350-1X* 5-1350X**	SPL30-1350XC**	
	V2500 Suburban	2-Piece Driveshaft	N	1	5-3226X*	5-760X**	5-760XC**	
	V2500 Suburban	2-Piece Driveshaft	N	5,7,9	5-178X*	5-1350-1X* 5-1350X**	SPL30-1350XC**	
1989-1991	V2500 Suburban	1-Piece Driveshaft	L	2,3	5-3147X*	5-795X**		
	V2500 Suburban	2-Piece Driveshaft	N	2,3	5-3147X*	5-795X**		
1987-1991	V3500	1-Piece Driveshaft	I	1		SPL55-3X** SPL55-4X*	SPL55-1480XC**	
	V3500	1-Piece Driveshaft	I	2	5-153X*	5-1310-1X* 5-1310X**		
	V3500	1-Piece Driveshaft	I	3,4	5-3147X*	5-795X**		
	V3500	1-Piece Driveshaft	I	5,9	5-178X*	5-1350-1X* 5-1350X**	SPL30-1350XC**	

\* GREASEABLE \*\* NON-GREASEABLE



**GMC (Cont'd)**

Year	Model	Description	Fig.	Location	Spicer Part #	SPL (Uncoated) Part #	SPL (Coated) Part #
1987-1991	V3500	1 Piece Driveshaft	I	CV	211009X		
	V3500	2-Piece Driveshaft	J	1		SPL55-3X** SPL55-4X*	SPL55-1480XC**
	V3500	2-Piece Driveshaft	J	2	5-153X*	5-1310-1X* 5-1310X**	
	V3500	2-Piece Driveshaft	J	3,4	5-3147X*	5-795X**	
	V3500	2-Piece Driveshaft	J	5,7,9	5-178X*	5-1350-1X* 5-1350X**	SPL30-1350XC**
	V3500	2 Piece Driveshaft	J	CV	211009X		
1992-1999	Yukon		L	2,3,5,9	5-3147X*	5-795X**	
2000-2007	Yukon	1-Piece Driveshaft	L	2,3,5,9	5-3147X*	5-795X**	
2008	Yukon	1-Piece Driveshaft	L	5,9	5-178X* 5-3147X*	5-1350-1X* 5-1350X** 5-795X**	SPL30-1350XC**
2008-2016	Yukon	1-Piece Driveshaft	L	2,3	5-3147X*	5-795X**	
2009-2016	Yukon	1-Piece Driveshaft	L	5,9	5-178X*	5-1350-1X* 5-1350X**	SPL30-1350XC**
2015-2016	Yukon XL	1-Piece Driveshaft	L	2,3	5-3147X*	5-795X**	
	Yukon XL	1-Piece Driveshaft	L	5,9	5-160X*	5-1410-1X* 5-1410X**	
2000-2008	Yukon XL 1500	1-Piece Driveshaft	L	2,3,5,9	5-3147X*	5-795X**	
2007-2008	Yukon XL 1500	V8 5.3L; 1-Piece Driveshaft	L	5,9	5-3147X*	5-795X**	
	Yukon XL 1500	V8 6.0L; 1-Piece Driveshaft	L	5,9	5-178X*	5-1350-1X* 5-1350X**	SPL30-1350XC**
2009-2014	Yukon XL 1500	1-Piece Driveshaft	L	2,3	5-3147X*	5-795X**	
	Yukon XL 1500	1-Piece Driveshaft	L	5,9	5-178X*	5-1350-1X* 5-1350X**	SPL30-1350XC**
2000-2013	Yukon XL 2500	1-Piece Driveshaft	L	2,3	5-3147X*	5-795X**	
2001-2006	Yukon XL 2500	V8 6.0L; 1-Piece Driveshaft	L	5,9	5-178X*	5-1350-1X* 5-1350X**	SPL30-1350XC**
	Yukon XL 2500	V8 8.1L; 1-Piece Driveshaft	L	5,9	5-160X*	5-1410-1X* 5-1410X**	
2007	Yukon XL 2500	1-Piece Driveshaft	L	5,9	5-178X*	5-1350-1X* 5-1350X**	SPL30-1350XC**
2008-2013	Yukon XL 2500	1-Piece Driveshaft	L	5,9	5-160X*	5-1410-1X* 5-1410X**	

**Honda**

Year	Model	Description	Fig.	Location	Spicer Part #	SPL (Uncoated) Part #	SPL (Coated) Part #
1994-1997	Passport		N	2,3	5-1515X*		

\* GREASEABLE \*\* NON-GREASEABLE

4  
W  
D

**Honda (Cont'd)**

Year	Model	Description	Fig.	Location	Spicer Part #	SPL (Uncoated) Part #	SPL (Coated) Part #
1994-1997	Passport		N	5,7,9	5-153X*	5-1310-1X* 5-1310X**	
1998-2002	Passport	2-Piece Driveshaft	L	2,3,5	5-153X*	5-1310-1X* 5-1310X**	
	Passport	1-Piece Driveshaft	L	9	5-153X*	5-1310-1X* 5-1310X**	

**Hummer**

Year	Model	Description	Fig.	Location	Spicer Part #	SPL (Uncoated) Part #	SPL (Coated) Part #
2006	H1	1-Piece Driveshaft	IA	2,3,4	5-213X*	5-1330-1X* 5-1330X**	
	H1	1-Piece Driveshaft	IA	5,9	5-178X*	5-1350-1X* 5-1350X**	SPL30-1350XC**
2003-2009	H2	1-Piece Driveshaft	L	2,3	5-3147X*	5-795X**	
	H2	1-Piece Driveshaft	L	5,9	5-178X*	5-1350-1X* 5-1350X**	SPL30-1350XC**
2006-2010	H3	1-Piece Driveshaft	AV	2	5-3213X*		
	H3	1-Piece Driveshaft	AV	5,9	5-178X*	5-1350-1X* 5-1350X**	SPL30-1350XC**
2009-2010	H3T	1-Piece Driveshaft	AV	2	5-3213X*		
	H3T	1-Piece Driveshaft	AV	5,9	5-178X*	5-1350-1X* 5-1350X**	SPL30-1350XC**

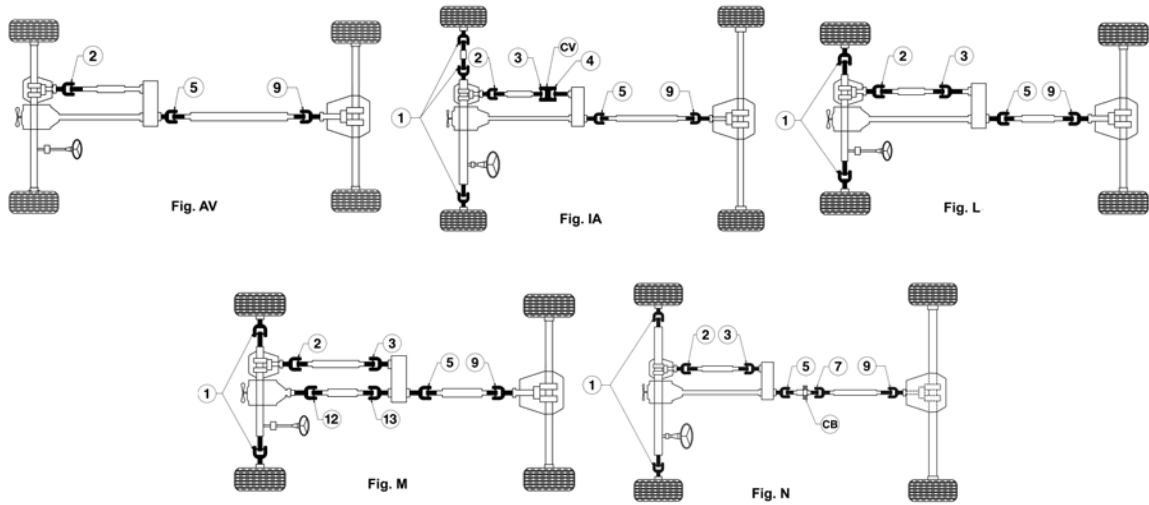
**Infiniti**

Year	Model	Description	Fig.	Location	Spicer Part #	SPL (Uncoated) Part #	SPL (Coated) Part #
1997-1999	QX4		L	2,3	5-3218X*		
	QX4		L	5,9	5-1505X*		
2000-2003	QX4	1-Piece Driveshaft	L	2	5-3218X*		
	QX4	1-Piece Driveshaft	L	5,9	5-1505X*		
2004-2006	QX56	1-Piece Driveshaft	IA	5	5-178X*	5-1350-1X* 5-1350X**	SPL30-1350XC**
2010	QX56	1-Piece Driveshaft	IA	2	5-153X*	5-1310-1X* 5-1310X**	
	QX56	1-Piece Driveshaft	IA	5	5-160X*	5-1410-1X* 5-1410X**	

**International**

Year	Model	Description	Fig.	Location	Spicer Part #	SPL (Uncoated) Part #	SPL (Coated) Part #
1966	1000A	w/ Inside Snap Rings	M	1	5-260X**		
	1000A	w/ Outside Snap Rings	M	1	5-178X*	5-1350-1X* 5-1350X**	SPL30-1350XC**
	1000A		M	2,3,5,9,12,13	5-153X*	5-1310-1X* 5-1310X**	
1967	1000B	w/ Inside Snap Rings	M	1	5-260X**		
	1000B	w/ Outside Snap Rings	M	1	5-178X*	5-1350-1X* 5-1350X**	SPL30-1350XC**
	1000B		M	2,3,5,9,12,13	5-153X*	5-1310-1X* 5-1310X**	
1968	1000C	w/ Inside Snap Rings	M	1	5-260X**		
	1000C	w/ Outside Snap Rings	M	1	5-178X*	5-1350-1X* 5-1350X**	SPL30-1350XC**
	1000C		M	2,3,5,9,12,13	5-153X*	5-1310-1X* 5-1310X**	
1969	1000D	w/ Inside Snap Rings	M	1	5-260X**		
	1000D	w/ Outside Snap Rings	M	1	5-178X*	5-1350-1X* 5-1350X**	SPL30-1350XC**
1969-1970	1000D		M	2,3,5,9,12,13	5-153X*	5-1310-1X* 5-1310X**	
1970	1000D		M	1	5-260X**		
1966	1200A	w/ Inside Snap Rings	M	1	5-260X**		

\* GREASEABLE \*\* NON-GREASEABLE



**International (Cont'd)**

Year	Model	Description	Fig.	Location	Spicer Part #	SPL (Uncoated) Part #	SPL (Coated) Part #
1966	1200A	w/ Outside Snap Rings	M	1	5-178X*	5-1350-1X* 5-1350X**	SPL30-1350XC**
	1200A		M	2,3,5,9,12,13	5-153X*	5-1310-1X* 5-1310X**	
1967	1200B	w/ Inside Snap Rings	M	1	5-260X**		
	1200B	w/ Outside Snap Rings	M	1	5-178X*	5-1350-1X* 5-1350X**	SPL30-1350XC**
	1200B		M	2,3,5,9,12,13	5-153X*	5-1310-1X* 5-1310X**	
1968	1200C	w/ Inside Snap Rings	M	1	5-260X**		
	1200C	w/ Outside Snap Rings	M	1	5-178X*	5-1350-1X* 5-1350X**	SPL30-1350XC**
	1200C		M	2,3,5,9,12,13	5-153X*	5-1310-1X* 5-1310X**	
1969	1200D	w/ Inside Snap Rings	M	1	5-260X**		
	1200D	w/ Outside Snap Rings	M	1	5-178X*	5-1350-1X* 5-1350X**	SPL30-1350XC**
1969-1970	1200D		M	2,3,5,9,12,13	5-153X*	5-1310-1X* 5-1310X**	
1970	1200D		M	1	5-260X**		
1971-1973	1210		M	1	5-260X**		
	1210		M	2,3,5,9,12,13	5-153X*	5-1310-1X* 5-1310X**	
1966	1300A		M	1		SPL55-3X** SPL55-4X*	SPL55-1480XC**
	1300A		M	2,3,5,9,12,13	5-153X*	5-1310-1X* 5-1310X**	
1967	1300B		M	1		SPL55-3X** SPL55-4X*	SPL55-1480XC**
	1300B		M	2,3,5,9,12,13	5-153X*	5-1310-1X* 5-1310X**	
1968	1300C		M	1		SPL55-3X** SPL55-4X*	SPL55-1480XC**
	1300C		M	2,3,5,9,12,13	5-153X*	5-1310-1X* 5-1310X**	
1969-1970	1300D		M	1		SPL55-3X** SPL55-4X*	SPL55-1480XC**
	1300D		M	2,3,5,9,12,13	5-153X*	5-1310-1X* 5-1310X**	
1966-1967	900A	w/ Inside Snap Rings	M	1	5-260X**		

\* GREASEABLE \*\* NON-GREASEABLE

4  
W  
D

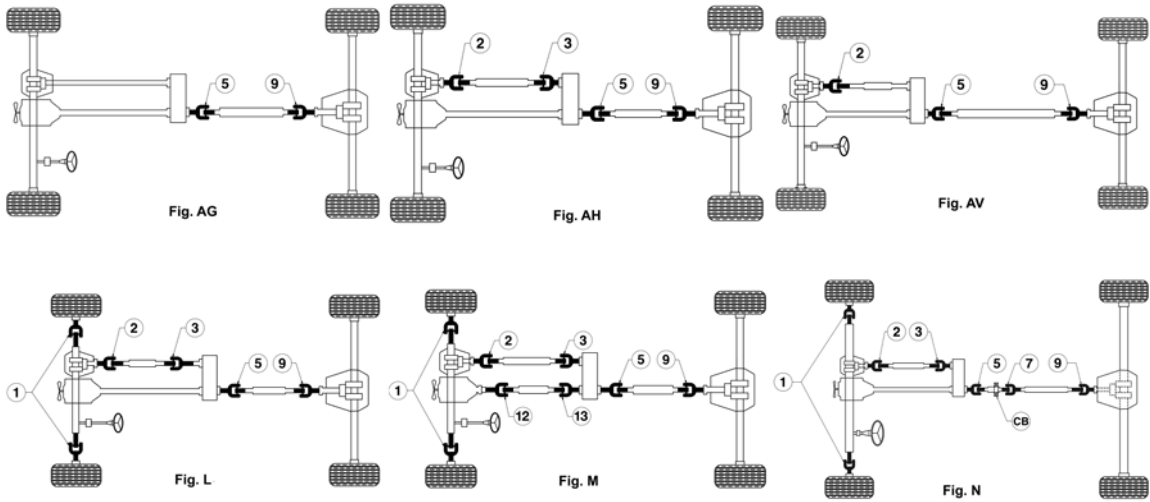
**International (Cont'd)**

Year	Model	Description	Fig.	Location	Spicer Part #	SPL (Uncoated) Part #	SPL (Coated) Part #
1966-1967	900A	w/ Outside Snap Rings	M	1	5-178X*	5-1350-1X* 5-1350X**	SPL30-1350XC**
	900A		M	2,3,5,9,12,13	5-153X*	5-1310-1X* 5-1310X**	
1961-1966	Scout		L	2,3,5,9	5-2140X*		
1961-1971	Scout		L	1	5-260X**		
1967-1971	Scout		L	2,3,5,9	5-153X*	5-1310-1X* 5-1310X**	
1971-1973	Scout II		L	1	5-260X**		
1971-1980	Scout II		L	2,3,5,9	5-153X*	5-1310-1X* 5-1310X**	
1974-1980	Scout II		L	1	5-3226X*	5-760X**	5-760XC**

**ISUZU**

Year	Model	Description	Fig.	Location	Spicer Part #	SPL (Uncoated) Part #	SPL (Coated) Part #
1989-1994	Amigo		AH	2,3,5,9	5-1515X*		
1998-1999	Amigo	w/ Aluminum Yoke	AH	2,3,5,9		5-3613X**	
	Amigo	w/ Steel Yoke	AH	2,3,5,9	5-153X*	5-1310-1X* 5-1310X**	
2000	Amigo	Auto Trans; 1-Piece Driveshaft	L	2,3	5-153X*	5-1310-1X* 5-1310X**	
	Amigo	Standard Trans; 1-Piece Driveshaft	L	2,3	5-153X*	5-1310-1X* 5-1310X**	
	Amigo	1-Piece Driveshaft	L	5,9	5-153X*	5-1310-1X* 5-1310X**	
2003-2007	Ascender	1-Piece Driveshaft	AV	2	5-3213X*		
	Ascender	1-Piece Driveshaft	AV	5,9	5-3147X*	5-795X**	
2008	Ascender	1-Piece Driveshaft	AV	2,5,9	5-3147X*	5-795X**	
2002-2004	Axiom	1-Piece Driveshaft	AG	5,9	5-153X*	5-1310-1X* 5-1310X**	
1998-1999	Hombre		AH	2	5-3213X*		
	Hombre		AH	5,9	5-3147X*	5-795X**	
2000	Hombre	1-Piece Driveshaft	AV	2	5-3213X*		
	Hombre	1-Piece Driveshaft	AV	5,9	5-3147X*	5-795X**	
2006	i-350	1-Piece Driveshaft	AV	2	5-153X*	5-1310-1X* 5-1310X**	
	i-350	1-Piece Driveshaft	AV	5	5-213X*	5-1330-1X* 5-1330X**	
	i-350	1-Piece Driveshaft	AV	9	5-212X*	5-793X**	
2007-2008	i-370	1-Piece Driveshaft	AV	2	5-153X*	5-1310-1X* 5-1310X**	
	i-370	1-Piece Driveshaft	AV	5	5-213X*	5-1330-1X* 5-1330X**	
	i-370	1-Piece Driveshaft	AV	9	5-212X*	5-793X**	
1981-1985	Pickup		N	2,5,7,9	5-101X**		
1986-1987	Pickup		N	2,5,7	5-101X**		
1988	Pickup	From 12/87	N	2	5-1515X*		
	Pickup	To 11/87	N	2	5-101X**		
	Pickup		N	3,5,7,9	5-1515X*		
1989	Pickup		N	2,3,5,7,9	5-1515X*		
1990	Pickup	To 10/90	N	2,3,5,7,9	5-1515X*		
1991	Pickup	U.S.A. Built; Vin Starts 4S1; From 11/90	N	2,3	5-1515X*		
	Pickup	Japan Built; Vin Starts JAA; From 11/90	N	2,3,5,7,9	5-1515X*		
1992-1995	Pickup	U.S.A. Built; Vin Starts 4S1	N	2,3	5-1515X*		
	Pickup	Japan Built; Vin Starts JAA	N	2,3,5,7,9	5-1515X*		
1991-1997	Rodeo		N	2,3	5-1515X*		
	Rodeo		N	5,7,9	5-153X*	5-1310-1X* 5-1310X**	
1998-1999	Rodeo	w/ Aluminum Yoke	L	2,3,5,9		5-3613X**	
	Rodeo	w/ Steel Yoke	L	2,3,5,9	5-153X*	5-1310-1X* 5-1310X**	

\* GREASEABLE \*\* NON-GREASEABLE



**Isuzu (Cont'd)**

Year	Model	Description	Fig.	Location	Spicer Part #	SPL (Uncoated) Part #	SPL (Coated) Part #
2000-2002	Rodeo	Auto Trans; 1-Piece Driveshaft	L	2,3	5-153X*	5-1310-1X* 5-1310X**	
	Rodeo	Standard Trans; 1-Piece Driveshaft	L	2,3	5-153X*	5-1310-1X* 5-1310X**	
	Rodeo	1-Piece Driveshaft	L	5,9	5-153X*	5-1310-1X* 5-1310X**	
2003-2004	Rodeo	Auto Trans; 1-Piece Driveshaft	L	2,3,5,9	5-153X*	5-1310-1X* 5-1310X**	
	Rodeo	Standard Trans; 1-Piece Driveshaft	L	2,3,5,9	5-153X*	5-1310-1X* 5-1310X**	
2001-2002	Rodeo Sport	Auto Trans; 1-Piece Driveshaft	L	2,3	5-153X*	5-1310-1X* 5-1310X**	
	Rodeo Sport	Standard Trans; 1-Piece Driveshaft	L	2,3	5-153X*	5-1310-1X* 5-1310X**	
	Rodeo Sport	1-Piece Driveshaft	L	5,9	5-153X*	5-1310-1X* 5-1310X**	
2003	Rodeo Sport	Auto Trans; 1-Piece Driveshaft	L	2,3,5,9	5-153X*	5-1310-1X* 5-1310X**	
	Rodeo Sport	Standard Trans; 1-Piece Driveshaft	L	2,3,5,9	5-153X*	5-1310-1X* 5-1310X**	
1984-1986	Trooper		N	2	5-101X**		
	Trooper		N	3	5-1515X*		
	Trooper		N	5,7,9	5-101X**		
1987	Trooper	1-Piece Driveshaft; From 7/87	L	2,5,9	5-1515X*		
	Trooper	1-Piece Driveshaft; To 6/87	L	2,5,9	5-101X**		
	Trooper	1-Piece Driveshaft	L	3	5-1515X*		
	Trooper	2-Piece Driveshaft; From 7/87	N	2,5,7,9	5-1515X**		
	Trooper	2-Piece Driveshaft; To 6/87	N	2,5,7,9	5-101X**		
	Trooper	2-Piece Driveshaft	N	3	5-1515X*		
1988-1997	Trooper	1-Piece Driveshaft	L	2,3,5,9	5-1515X*		
	Trooper	2-Piece Driveshaft	N	2,3,5,7,9	5-1515X*		
1998-1999	Trooper	w/o Torque on Demand	L	2,3	5-1515X*		
	Trooper		L	5,9	5-3259-1X*		
2000-2002	Trooper	1-Piece Driveshaft; Torque On Demand	AG	5,9	5-3259-1X*		
	Trooper	1-Piece Driveshaft; Exc. Torque On Demand	L	2,3	5-1515X*		
	Trooper	1-Piece Driveshaft; Exc. Torque On Demand	L	5,9	5-3259-1X*		
2001	VehiCROSS		L	5,9	5-1515X*		

\* GREASEABLE \*\* NON-GREASEABLE

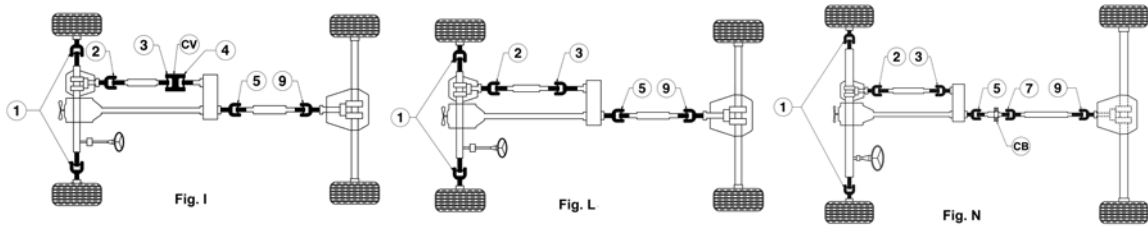
4  
W  
D

**Jeep**

Year	Model	Description	Fig.	Location	Spicer Part #	SPL (Uncoated) Part #	SPL (Coated) Part #
1974-1980	Cherokee	Hydra-Matic Trans	I	5	5-153X*	5-1310-1X* 5-1310X**	
	Cherokee	Auto Trans	I	9	5-153X*		
	Cherokee	Hydra-Matic Trans	I	9		5-1310-1X* 5-1310X**	
	Cherokee	Standard Trans	I	9	5-3228X*	5-789X**	
1981	Cherokee		I	2,3,4,5	5-153X*	5-1310-1X* 5-1310X**	
1982-1983	Cherokee		I	2,3,4,5,9	5-153X*	5-1310-1X* 5-1310X**	
1984	Cherokee	1.062" Bearing Cup Dia.	L	1	5-260X**		
	Cherokee	1.188" Bearing Cup Dia.	L	1	5-3226X*	5-760X**	5-760XC**
	Cherokee		L	2,3,5,9	5-153X*	5-1310-1X* 5-1310X**	
1985-1993	Cherokee	1.062" Bearing Cup Dia.; w/ CV Front Driveshaft	I	1	5-260X**		
	Cherokee	1.188" Bearing Cup Dia.; w/ CV Front Driveshaft	I	1	5-3226X*	5-760X**	5-760XC**
	Cherokee	w/ CV Front Driveshaft	I	2,3,4,5,9	5-153X*	5-1310-1X* 5-1310X**	
	Cherokee	1.062" Bearing Cup Dia.; w/o CV Front Driveshaft	L	1	5-260X**		
	Cherokee	1.188" Bearing Cup Dia.; w/o CV Front Driveshaft	L	1	5-3226X*	5-760X**	5-760XC**
	Cherokee	w/o CV Front Driveshaft	L	2,3,5,9	5-153X*	5-1310-1X* 5-1310X**	
1994	Cherokee	1.062" Bearing Cup Dia.	I	1	5-260X**		
	Cherokee	1.188" Bearing Cup Dia.	I	1	5-3226X*	5-760X**	5-760XC**
1994-1998	Cherokee		I	2,3,4	5-153X*	5-1310-1X* 5-1310X**	
	Cherokee	w/ Inside & Outside Snap Rings	I	5,9		5-788X**	
	Cherokee	w/ Inside Snap Rings; w/ 7290 Series Rear Driveshaft	I	5,9	5-1309X*	5-811X**	
	Cherokee	w/ Outside Snap Rings	I	5,9	5-153X*	5-1310-1X* 5-1310X**	
1995-1999	Cherokee		I	1	5-3226X*	5-760X**	5-760XC**
1999	Cherokee		I	2,3,4,9	5-153X*	5-1310-1X* 5-1310X**	
	Cherokee	Auto Trans	I	5	5-153X*	5-1310-1X* 5-1310X**	
	Cherokee	Standard Trans	I	5	5-213X*	5-1330-1X* 5-1330X**	
2000-2001	Cherokee	1-Piece Driveshaft	I	1	5-3226X*	5-760X**	5-760XC**
	Cherokee	1-Piece Driveshaft	I	2,3,4	5-153X*	5-1310-1X* 5-1310X**	
	Cherokee	Standard Trans; 1-Piece Driveshaft; Dana Axle	I	5	5-213X*	5-1330-1X* 5-1330X**	
	Cherokee	Auto Trans; 1-Piece Driveshaft	I	5,9	5-153X*	5-1310-1X* 5-1310X**	
	Cherokee	Standard Trans; 1-Piece Driveshaft; Exc. Dana Axle	I	5,9	5-153X*	5-1310-1X* 5-1310X**	
	Cherokee	Standard Trans; 1-Piece Driveshaft; Dana Axle	I	9	5-153X*	5-1310-1X* 5-1310X**	
1959-1966	CJ5	w/ Outside Snap Rings	N	2,3,5,7,9	5-153X*	5-1310-1X* 5-1310X**	
1963-1966	CJ5		N	1	5-260X**		
1967-1978	CJ5		L	1	5-260X**		
	CJ5		L	2,3,5,9	5-153X*	5-1310-1X* 5-1310X**	
1979-1983	CJ5	w/ CV Front Driveshaft	I	1	5-260X**		
	CJ5	w/ CV Front Driveshaft	I	2,3,4,5,9	5-153X*	5-1310-1X* 5-1310X**	
	CJ5	w/o CV Front Driveshaft	L	1	5-260X**		

\* GREASEABLE \*\* NON-GREASEABLE





**Jeep (Cont'd)**

Year	Model	Description	Fig.	Location	Spicer Part #	SPL (Uncoated) Part #	SPL (Coated) Part #
1979-1983	CJ5	w/o CV Front Driveshaft	L	2,3,5,9	5-153X*	5-1310-1X* 5-1310X**	
1959-1966	CJ6	w/ Outside Snap Rings	N	2,3,5,7,9	5-153X*	5-1310-1X* 5-1310X**	
1963-1966	CJ6		N	1	5-260X**		
1967-1975	CJ6		L	1	5-260X**		
	CJ6		L	2,3,5,9	5-153X*	5-1310-1X* 5-1310X**	
1976-1978	CJ7		L	1	5-260X**		
	CJ7		L	2,3,5,9	5-153X*	5-1310-1X* 5-1310X**	
1979-1986	CJ7	w/ CV Front Driveshaft	I	1	5-260X**		
	CJ7	w/ CV Front Driveshaft	I	2,3,4,5,9	5-153X*	5-1310-1X* 5-1310X**	
	CJ7	w/o CV Front Driveshaft	L	1	5-260X**		
	CJ7	w/o CV Front Driveshaft	L	2,3,5,9	5-153X*	5-1310-1X* 5-1310X**	
1986-1987	Comanche	w/ CV Front Driveshaft; w/ Part Time 4WD	I	1	5-260X**		
	Comanche	w/ CV Front Driveshaft	I	2,3,4,5,9	5-153X*	5-1310-1X* 5-1310X**	
	Comanche	w/o CV Front Driveshaft; w/ Part Time 4WD	L	1	5-260X**		
	Comanche	w/o CV Front Driveshaft	L	2,3,5,9	5-153X*	5-1310-1X* 5-1310X**	
1988-1992	Comanche	w/ Part Time 4WD	I	1	5-260X**		
	Comanche		I	2,3,4,5,9	5-153X*	5-1310-1X* 5-1310X**	
1967-1969	Commando		L	2,3	5-248X*		
	Commando		L	5,9	5-153X*	5-1310-1X* 5-1310X**	
1967-1973	Commando		L	1	5-260X**		
1970-1973	Commando		L	2,3,5,9	5-153X*	5-1310-1X* 5-1310X**	
1963-1967	Gladiator		L	1	5-260X**		
	Gladiator		L	2,3,5,9	5-153X*	5-1310-1X* 5-1310X**	
1968-1969	Gladiator	w/ CV Front Driveshaft	I	1	5-260X**		
	Gladiator	w/ CV Front Driveshaft	I	2	5-2140X*		
	Gladiator	w/ CV Front Driveshaft; Front half of double cardon	I	3,4	5-3219-1X*		
	Gladiator	w/ CV Front Driveshaft	I	5,9	5-153X*	5-1310-1X* 5-1310X**	
	Gladiator	w/o CV Front Driveshaft	L	1	5-260X**		
	Gladiator	w/o CV Front Driveshaft	L	2,3,5,9	5-153X*	5-1310-1X* 5-1310X**	
1993	Grand Cherokee	w/ Part Time 4WD	I	1	5-260X**		
1994-1996	Grand Cherokee	4 Inside Snap Rings	I	5,9	5-1309X*	5-811X**	
1994-1998	Grand Cherokee	4 Inside Snap Rings	I	1	5-3226X*	5-760X**	5-760XC**
	Grand Cherokee	4 Outside Snap Rings	I	2,3,4,5,9	5-153X*	5-1310-1X* 5-1310X**	
	Grand Cherokee	2 Inside & 2 Outside Snap Rings	I	5,9		5-788X**	
1997-1998	Grand Cherokee	4 Inside Snap Rings; w/ 7290 Series	I	5,9	5-1309X*	5-811X**	

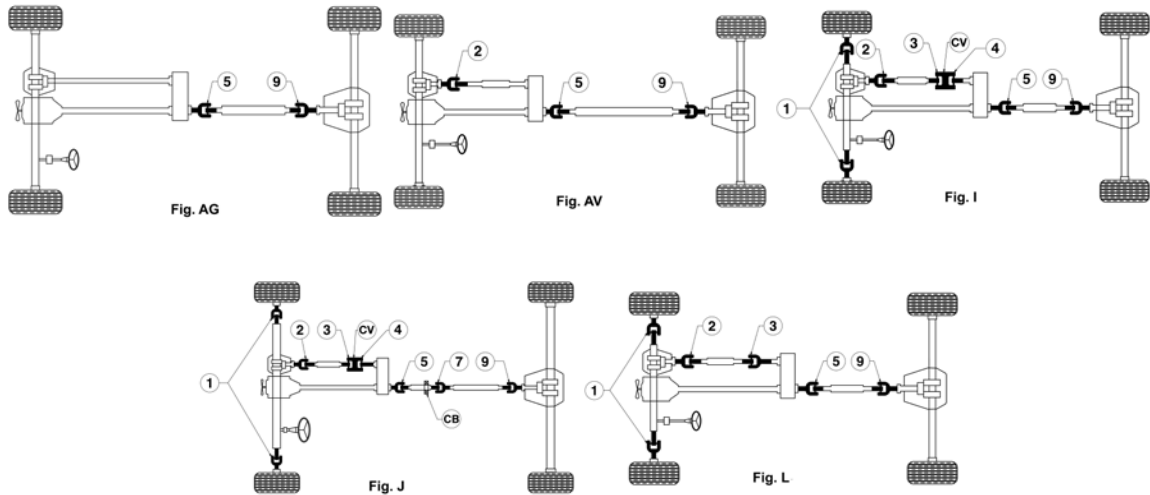
\* GREASEABLE \*\* NON-GREASEABLE

4  
W  
D

**Jeep (Cont'd)**

Year	Model	Description	Fig.	Location	Spicer Part #	SPL (Uncoated) Part #	SPL (Coated) Part #
1999	Grand Cherokee		I	1	5-3226X*	5-760X**	5-760XC**
	Grand Cherokee		I	2,3,4,5,9	5-153X*	5-1310-1X* 5-1310X**	
2000-2001	Grand Cherokee	L6 4.0L; 1-Piece Driveshaft	AG	5,9	5-153X*	5-1310-1X* 5-1310X**	
2000-2004	Grand Cherokee	V8 4.7L; 1-Piece Driveshaft	I	2,3,4	5-153X*	5-1310-1X* 5-1310X**	
	Grand Cherokee	V8 4.7L; 1-Piece Driveshaft; Selec-Trac Transfer Case	I	5	5-213X*	5-1330-1X* 5-1330X**	
	Grand Cherokee	V8 4.7L; 1-Piece Driveshaft; Exc. Selec-Trac Transfer Case	I	5,9	5-153X*	5-1310-1X* 5-1310X**	
	Grand Cherokee	V8 4.7L; 1-Piece Driveshaft; Selec-Trac Transfer Case	I	9	5-153X*	5-1310-1X* 5-1310X**	
2002-2004	Grand Cherokee	L6 4.0L; 1-Piece Driveshaft	AV	2,5,9	5-153X*	5-1310-1X* 5-1310X**	
1984-1991	Grand Wagoneer		I	1	5-3226X*	5-760X**	5-760XC**
	Grand Wagoneer		I	2,3,4,5,9	5-153X*	5-1310-1X* 5-1310X**	
1982-1988	J10		I	1	5-3226X*	5-760X**	5-760XC**
	J10		I	2,3,4,5,9	5-153X*	5-1310-1X* 5-1310X**	
1974-1988	J20		I	1	5-3226X*	5-760X**	5-760XC**
	J20		I	2,3,4,5,9	5-153X*	5-1310-1X* 5-1310X**	
1968-1969	J-2600	2-Piece Driveshaft	J	2	5-2140X*		
	J-2600	2-Piece Driveshaft; Front CV	J	3	5-3219-1X*		
	J-2600	1-Piece Driveshaft	L	1	5-260X**		
	J-2600	1-Piece Driveshaft	L	2,3,5,9	5-153X*	5-1310-1X* 5-1310X**	
1970-1973	J-2600		L	1	5-260X**		
	J-2600		L	2,3,5,9	5-153X*	5-1310-1X* 5-1310X**	
1968-1969	J-2700	2-Piece Driveshaft	J	2	5-2140X*		
	J-2700	2-Piece Driveshaft; Front CV	J	3	5-3219-1X*		
	J-2700	1-Piece Driveshaft	L	1	5-260X**		
	J-2700	1-Piece Driveshaft	L	2,3,5,9	5-153X*	5-1310-1X* 5-1310X**	
1970	J-2700		L	1	5-260X**		
	J-2700		L	2,3,5,9	5-153X*	5-1310-1X* 5-1310X**	
1965-1967	J-2800		L	1	5-260X**		
	J-2800		L	2,3,5,9	5-153X*	5-1310-1X* 5-1310X**	
1968	J-2800	2-Piece Driveshaft	J	2	5-2140X*		
	J-2800	2-Piece Driveshaft; Front CV	J	3	5-3219-1X*		
	J-2800	1-Piece Driveshaft	L	1	5-260X**		
	J-2800	1-Piece Driveshaft	L	2,3,5,9	5-153X*	5-1310-1X* 5-1310X**	
1968-1969	J-3500	2-Piece Driveshaft	J	2	5-2140X*		
	J-3500	2-Piece Driveshaft; Front CV	J	3	5-3219-1X*		
	J-3500	1-Piece Driveshaft	L	1	5-260X**		
	J-3500	1-Piece Driveshaft	L	2,3,5,9	5-153X*	5-1310-1X* 5-1310X**	
1970	J-3500		L	1	5-260X**		
	J-3500		L	2,3,5,9	5-153X*	5-1310-1X* 5-1310X**	
1968-1969	J-3600	2-Piece Driveshaft	J	2	5-2140X*		
	J-3600	2-Piece Driveshaft; Front CV	J	3	5-3219-1X*		
	J-3600	1-Piece Driveshaft	L	1	5-260X**		
	J-3600	1-Piece Driveshaft	L	2,3,5,9	5-153X*	5-1310-1X* 5-1310X**	
1970	J-3600		L	1	5-260X**		

\* GREASEABLE \*\* NON-GREASEABLE



**Jeep (Cont'd)**

Year	Model	Description	Fig.	Location	Spicer Part #	SPL (Uncoated) Part #	SPL (Coated) Part #
1970	J-3600		L	2,3,5,9	5-153X*	5-1310-1X* 5-1310X**	
1968-1969	J-3700	2-Piece Driveshaft	J	2	5-2140X*		
	J-3700	2-Piece Driveshaft; Front CV	J	3	5-3219-1X*		
	J-3700	1-Piece Driveshaft	L	1	5-260X**		
	J-3700	1-Piece Driveshaft	L	2,3,5,9	5-153X*	5-1310-1X* 5-1310X**	
1970	J-3700		L	1	5-260X**		
	J-3700		L	2,3,5,9	5-153X*	5-1310-1X* 5-1310X**	
1968-1969	J-3800	2-Piece Driveshaft	J	2	5-2140X*		
	J-3800	2-Piece Driveshaft; Front CV	J	3	5-3219-1X*		
	J-3800	1-Piece Driveshaft	L	1	5-260X**		
	J-3800	1-Piece Driveshaft	L	2,3,5,9	5-153X*	5-1310-1X* 5-1310X**	
1970-1971	J-3800		L	1	5-260X**		
	J-3800		L	2,3,5,9	5-153X*	5-1310-1X* 5-1310X**	
1967-1969	Jeepster		L	2,3	5-248X*		
	Jeepster		L	5,9	5-153X*	5-1310-1X* 5-1310X**	
1967-1971	Jeepster		L	1	5-260X**		
1970-1971	Jeepster		L	2,3,5,9	5-153X*	5-1310-1X* 5-1310X**	
2002	Liberty	2.4L	L	5,9	5-153X*	5-1310-1X* 5-1310X**	
	Liberty	3.7L	L	5,9	5-213X*	5-1330-1X* 5-1330X**	
2003	Liberty	3.500" O.D. Yoke	L	5,9	5-153X*	5-1310-1X* 5-1310X**	
	Liberty	4.000" O.D. Yoke	L	5,9	5-213X*	5-1330-1X* 5-1330X**	
2004	Liberty		L	5,9	5-153X*	5-1310-1X* 5-1310X**	
2005-2007	Liberty	Auto Trans	L	5	5-153X*	5-1310-1X* 5-1310X**	
	Liberty	Standard Trans	L	5	5-213X*	5-1330-1X* 5-1330X**	
	Liberty		L	9	5-153X*	5-1310-1X* 5-1310X**	
1981	Scrambler		I	1	5-260X**		

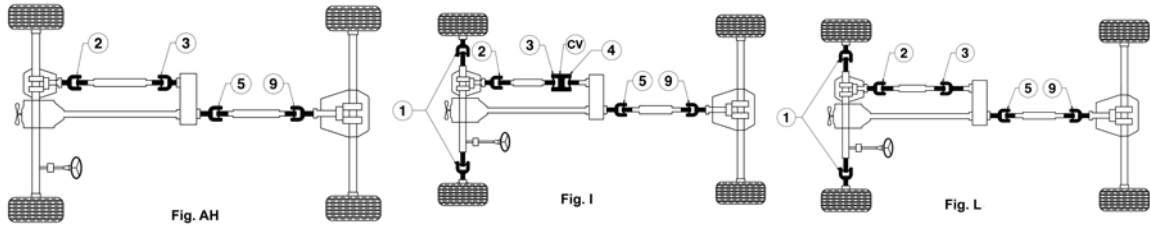
\* GREASEABLE \*\* NON-GREASEABLE

4  
W  
D

**Jeep (Cont'd)**

Year	Model	Description	Fig.	Location	Spicer Part #	SPL (Uncoated) Part #	SPL (Coated) Part #
1981	Scrambler		I	2,3,4,5,9	5-153X*	5-1310-1X* 5-1310X**	
1982-1985	Scrambler		L	1	5-260X**		
	Scrambler		L	2,3,5,9	5-153X*	5-1310-1X* 5-1310X**	
1997	TJ		L	1	5-3226X*	5-760X**	5-760XC**
	TJ		L	2,3,5,9	5-153X*	5-1310-1X* 5-1310X**	
1998	TJ		I	2,3,5,9	5-153X*	5-1310-1X* 5-1310X**	
1998-2006	TJ		I	1	5-3226X*	5-760X**	5-760XC**
1999-2002	TJ		I	2,3,4,5,9	5-153X*	5-1310-1X* 5-1310X**	
2003-2004	TJ	Rubicon	I	5	5-3147X*	5-795X**	
	TJ	Rubicon	I	9	5-212X*	5-793X**	
2003-2006	TJ	Rubicon	I	2	5-212X*	5-793X**	
	TJ	Exc. Rubicon	I	2,3,4,5,9	5-153X*	5-1310-1X* 5-1310X**	
	TJ	Rubicon	I	3,4	5-213X*	5-1330-1X* 5-1330X**	
2005-2006	TJ	Rubicon; w/ Shaft #410AD	I	5	5-3147X*	5-795X**	
	TJ	Rubicon; w/ Shaft #410AD	I	9	5-212X*	5-793X**	
1963-1969	Wagoneer	Exc. J164 Model	L	2,3	5-105X*		
	Wagoneer	J164 Model	L	2,3	5-153X*	5-1310-1X* 5-1310X**	
	Wagoneer	Auto Trans	L	5,9	5-153X*	5-1310-1X* 5-1310X**	
	Wagoneer	Standard Trans	L	5,9	5-3228X*	5-789X**	
1963-1974	Wagoneer		L	1	5-260X**		
1970-1974	Wagoneer	w/ Inside Snap Rings	L	2,3,5,9	5-248X*		
	Wagoneer	w/ Outside Snap Rings	L	2,3,5,9	5-153X*	5-1310-1X* 5-1310X**	
1975-1979	Wagoneer		I	2,3,4	5-153X*	5-1310-1X* 5-1310X**	
	Wagoneer	Auto Trans	I	5,9	5-153X*	5-1310-1X* 5-1310X**	
	Wagoneer	Standard Trans	I	9	5-3228X*	5-789X**	
1975-1983	Wagoneer		I	1	5-3226X*	5-760X**	5-760XC**
1984-1985	Wagoneer	1.062" Bearing Cup Dia.	L	1	5-3226X*		
	Wagoneer	1.188" Bearing Cup Dia.	L	1	5-260X**	5-760X**	5-760XC**
	Wagoneer		L	2,3,5,9	5-153X*	5-1310-1X* 5-1310X**	
1986-1987	Wagoneer	1.188" Bearing Cup Dia.	I	1		5-760X**	5-760XC**
	Wagoneer	w/ CV Front Driveshaft; 1.062" Bearing Cup Dia. Wheel Joint	I	1	5-3226X*		
	Wagoneer	w/ CV Front Driveshaft; 1.188" Bearing Cup Dia. Wheel Joint	I	1	5-260X**		
	Wagoneer	w/ CV Front Driveshaft	I	2,3,4,5,9	5-153X*	5-1310-1X* 5-1310X**	
	Wagoneer	w/o CV Front Driveshaft; 1.062" Bearing Cup Dia. Wheel Joint	L	1	5-3226X*		
	Wagoneer	w/o CV Front Driveshaft; 1.188" Bearing Cup Dia. Wheel Joint	L	1	5-260X**		
	Wagoneer	w/o CV Front Driveshaft	L	2,3,5,9	5-153X*	5-1310-1X* 5-1310X**	
1988-1990	Wagoneer	1.062" Bearing Cup Dia.	I	1	5-260X**		
	Wagoneer	1.188" Bearing Cup Dia.	I	1	5-3226X*	5-760X**	5-760XC**
	Wagoneer		I	2,3,4,5,9	5-153X*	5-1310-1X* 5-1310X**	
1987-1992	Wrangler		L	1	5-260X**		
1993-1995	Wrangler	1.062" Bearing Cup Dia.	L	1	5-260X**		
	Wrangler	1.188" Bearing Cup Dia.	L	1	5-3226X*	5-760X**	5-760XC**

\* GREASEABLE \*\* NON-GREASEABLE



**Jeep (Cont'd)**

Year	Model	Description	Fig.	Location	Spicer Part #	SPL (Uncoated) Part #	SPL (Coated) Part #
1993-1995	Wrangler		L	2,3	5-153X*	5-1310-1X* 5-1310X**	
	Wrangler	w/ 3.469" O.D. Yoke	L	5	5-153X*	5-1310-1X* 5-1310X**	
	Wrangler	w/ 3.875" O.D. Yoke	L	9	5-213X*	5-1330-1X* 5-1330X**	
1997-1998	Wrangler		L	1	5-3226X*	5-760X**	5-760XC**
	Wrangler		L	2,3,5,9	5-153X*	5-1310-1X* 5-1310X**	
1999-2002	Wrangler		I	2,3,4,5,9	5-153X*	5-1310-1X* 5-1310X**	
1999-2006	Wrangler		I	1	5-3226X*	5-760X**	5-760XC**
2003-2004	Wrangler	Exc. Rubicon	I	2,3,4,5,9	5-153X*	5-1310-1X* 5-1310X**	
2005	Wrangler	Rubicon; w/ Shaft #410AD	I	2	5-212X*	5-793X**	
	Wrangler	Unlimited Rubicon; w/ Shaft #585AA	I	2	5-212X*	5-793X**	
	Wrangler	Rubicon; w/ Shaft #410AD	I	3,4	5-213X*	5-1330-1X* 5-1330X**	
	Wrangler	Unlimited Rubicon; w/ Shaft #585AA	I	3,4	5-213X*	5-1330-1X* 5-1330X**	
	Wrangler	Rubicon; w/ Shaft #410AD	I	5	5-3147X*	5-795X**	
	Wrangler	Unlimited Rubicon; w/ Shaft #585AA	I	5,9	5-153X*	5-1310-1X* 5-1310X**	
	Wrangler	Rubicon; w/ Shaft #410AD	I	9	5-212X*	5-793X**	
	Wrangler	Exc. Rubicon Models	I	2,3,4,5,9	5-153X*	5-1310-1X* 5-1310X**	
2006	Wrangler	Rubicon	I	2	5-212X*	5-793X**	
	Wrangler	Unlimited Rubicon	I	2	5-212X*	5-793X**	
	Wrangler	Rubicon	I	3,4	5-213X*	5-1330-1X* 5-1330X**	
	Wrangler	Unlimited Rubicon	I	3,4	5-213X*	5-1330-1X* 5-1330X**	
	Wrangler	Rubicon	I	5	5-3147X*	5-795X**	
	Wrangler	Unlimited Rubicon	I	5,9	5-153X*	5-1310-1X* 5-1310X**	
	Wrangler	Rubicon	I	9	5-212X*	5-793X**	
	Wrangler	Exc. Rubicon Models	I	1	5-3226X*	5-760X**	5-760XC**
2007-2011	Wrangler	Rubicon Models	I	1		5-7166X**	SPL30-7166XC**
	Wrangler	w/ Aftermarket 1350 Driveshaft; w/ CV Front Driveshaft	I	3,4,5,9	5-178X*	5-1350-1X* 5-1350X**	
	Wrangler		I	1			
2012-2016	Wrangler	w/ Aftermarket 1310 Driveshaft	I	2,3,4,5,9	5-153X*	5-1310-1X* 5-1310X**	
	Wrangler	w/ Aftermarket 1350 Driveshaft	I	2,3,4,5,9	5-178X*	5-1350-1X* 5-1350X**	SPL30-1350XC**
2012-2018	Wrangler		I	1		5-7166X**	SPL30-7166XC**

**Kia**

Year	Model	Description	Fig.	Location	Spicer Part #	SPL (Uncoated) Part #	SPL (Coated) Part #
1995-1999	Sportage	1-Piece Driveshaft	AH	2,3,5,9	5-3245-1X*		
2000-2001	Sportage	1-Piece Driveshaft	L	2,3,5,9	5-3245-1X*		

\* GREASEABLE \*\* NON-GREASEABLE

4  
W  
D

**Kia (Cont'd)**

Year	Model	Description	Fig.	Location	Spicer Part #	SPL (Uncoated) Part #	SPL (Coated) Part #
2007-2010	Sportage	2-Piece Driveshaft	AT	5	5-3245-1X*		

**Land Rover**

Year	Model	Description	Fig.	Location	Spicer Part #	SPL (Uncoated) Part #	SPL (Coated) Part #
1993	Defender 110		L	2,3,5,9	5-3214X*		
1997	Defender 90		L	2,3,5,9	5-3214X*		
1994-1998	Discovery		L	2,3,5,9	5-3214X*		
1999	Discovery		L	2,3,5	5-3214X*		
2000-2004	Discovery	1-Piece Driveshaft	W	2,3,4,5	5-3214X*		
2002-2005	Freelander	3-Piece Driveshaft	CA	8,9	5-3214X*		
1948-1961	Land Rover		L	2,3,5,9	5-3214X*		
1962-1969	Land Rover		L	2,3	5-153X*	5-1310-1X* 5-1310X**	
	Land Rover	3.250" Yoke	L	5,9	5-3214X*		
	Land Rover	3.500" Yoke	L	5,9	5-153X*	5-1310-1X* 5-1310X**	
1970-1974	Land Rover		L	2,3,5,9	5-153X*	5-1310-1X* 5-1310X**	
1987-1995	Range Rover		L	2,3,5,9	5-3214X*		
1996-2002	Range Rover		L	2,3,5	5-3214X*		

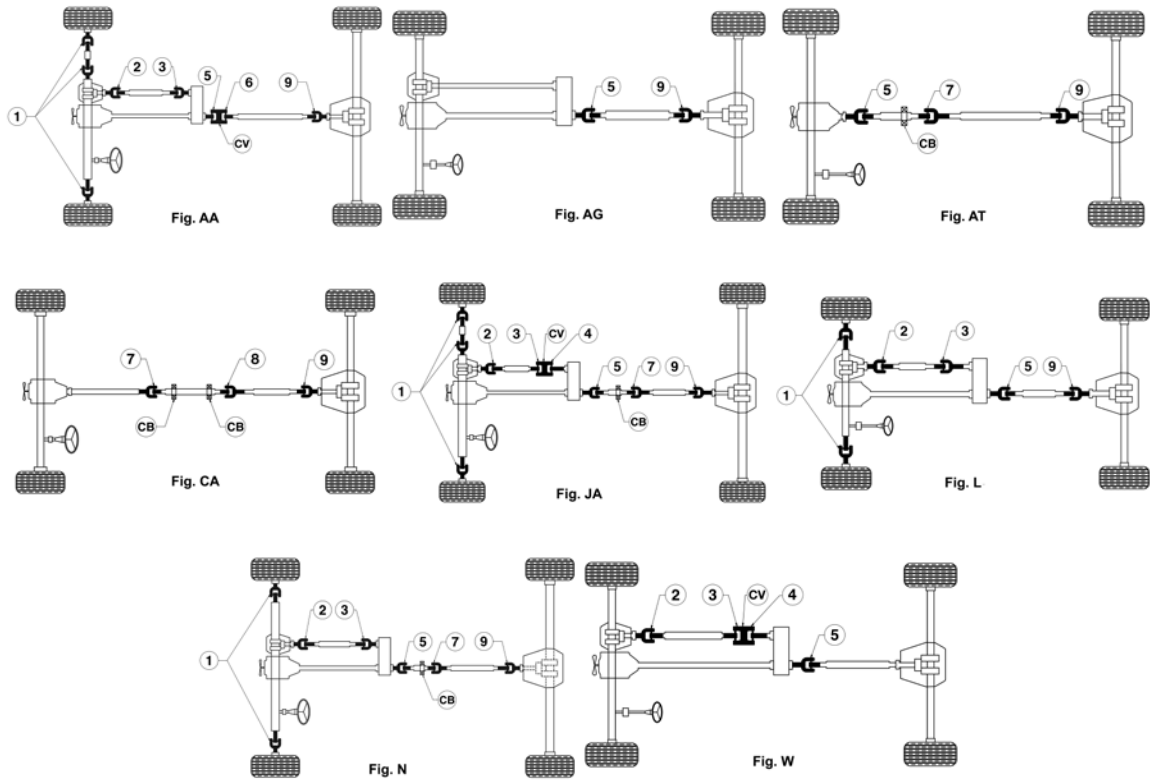
**Lexus**

Year	Model	Description	Fig.	Location	Spicer Part #	SPL (Uncoated) Part #	SPL (Coated) Part #
2010-2017	GX460	1-Piece Driveshaft	L	2,3,5,9	5-1510X*		
2003-2009	GX470	1-Piece Driveshaft	L	2,3,5,9	5-1510X*		
1996-1997	LX450		L	2,3	5-1510X*		
	LX450		L	5,9	5-3221X*		
2005	LX470	1-Piece Driveshaft; From 05/2005	L	2,3	5-1510X*		
	LX470	1-Piece Driveshaft; From 11/2004; To 05/2005	L	2,3	5-1510X*		
	LX470	1-Piece Driveshaft; To 11/2004	L	2,3	5-1510X*		
	LX470	1-Piece Driveshaft	L	5,9	5-1510X*		
2006-2007	LX470	1-Piece Driveshaft	L	2,3,5,9	5-1510X*		
2013-2017	LX570	1-Piece Driveshaft	L	2,3,5,9	5-1510X*		

**Lincoln**

Year	Model	Description	Fig.	Location	Spicer Part #	SPL (Uncoated) Part #	SPL (Coated) Part #
2003-2005	Aviator		L	2	5-153X*	5-1310-1X* 5-1310X**	
	Aviator		L	5,9	5-213X*	5-1330-1X* 5-1330X**	
2006	Mark LT	2-Piece Driveshaft	N	5,7,9	5-3203X**		
2006-2007	Mark LT	1-Piece Driveshaft	L	2,3	5-213X*	5-1330-1X* 5-1330X**	
	Mark LT	1-Piece Driveshaft; Includes Snap Ring Retainers	L	5,9	5-178X*	5-1350-1X* 5-1350X**	SPL30-1350XC**
	Mark LT	1-Piece Driveshaft; Staked Retainers	L	5,9	5-3203X**		
	Mark LT	2-Piece Driveshaft	N	2,3	5-213X*	5-1330-1X* 5-1330X**	
2007	Mark LT	2-Piece Driveshaft	N	5,7,9	5-178X*	5-1350-1X* 5-1350X**	SPL30-1350XC**
2008	Mark LT	1-Piece Driveshaft	L	2,3,5,9	5-178X*	5-1350-1X* 5-1350X**	SPL30-1350XC**
	Mark LT	2-Piece Driveshaft	N	2,3,5,7,9	5-178X*	5-1350-1X* 5-1350X**	SPL30-1350XC**
1998-1999	Navigator		L	2,3	5-213X*	5-1330-1X* 5-1330X**	
	Navigator		L	5,9	5-178X*	5-1350-1X* 5-1350X**	SPL30-1350XC**

\* GREASEABLE \*\* NON-GREASEABLE



4  
W  
D

**Lincoln (Cont'd)**

Year	Model	Description	Fig.	Location	Spicer Part #	SPL (Uncoated) Part #	SPL (Coated) Part #
2000-2006	Navigator	1-Piece Driveshaft	L	2,3	5-213X*	5-1330-1X* 5-1330X**	
	Navigator	1-Piece Driveshaft	L	5,9	5-178X*	5-1350-1X* 5-1350X**	SPL30-1350XC**
2007-2017	Navigator	1-Piece Driveshaft	AG	5,9	5-178X*	5-1350-1X* 5-1350X**	SPL30-1350XC**

**Mazda**

Year	Model	Description	Fig.	Location	Spicer Part #	SPL (Uncoated) Part #	SPL (Coated) Part #
1995-1996	B2300	w/o Double Cardan CV Joint	AA	2,3	5-153X*	5-1310-1X* 5-1310X**	
	B2300	108.0" WB	AA	5,9	5-153X*	5-1310-1X* 5-1310X**	
	B2300		JA	1	5-3226X*	5-760X**	5-760XC**
	B2300	w/ Double Cardan CV Joint	JA	2,3,4	5-153X*	5-1310-1X* 5-1310X**	
	B2300	125.0" WB	JA	5,7,9	5-153X*	5-1310-1X* 5-1310X**	
	B2300	114.0" WB	JA	5,9	5-213X*	5-1330-1X* 5-1330X**	
1987-1993	B2600		N	2,3	5-3245-1X*		
	B2600		N	5,7,9	5-3216X*		
1994-1996	B3000	Extended Cab; 125.0" WB	JA	5,7,9	5-153X*	5-1310-1X* 5-1310X**	
1994-1997	B3000	w/o Double Cardan CV Joint	AA	2,3	5-153X*	5-1310-1X* 5-1310X**	
	B3000		JA	1	5-3226X*	5-760X**	5-760XC**
	B3000	w/ Double Cardan CV Joint	JA	2,3,4	5-153X*	5-1310-1X* 5-1310X**	

\* GREASEABLE \*\* NON-GREASEABLE

**Mazda (Cont'd)**

Year	Model	Description	Fig.	Location	Spicer Part #	SPL (Uncoated) Part #	SPL (Coated) Part #
1997	B3000	108.0" WB	AA	5,9	5-153X*	5-1310-1X* 5-1310X**	
	B3000	114.0" WB	JA	5,9	5-213X*	5-1330-1X* 5-1330X**	
1998-2001	B3000	Extended Cab	AH	5	5-213X*	5-1330-1X* 5-1330X**	
	B3000		AH	9	5-213X*	5-1330-1X* 5-1330X**	
1998-2002	B3000		AH	2	5-153X*	5-1310-1X* 5-1310X**	
2002	B3000		AH	5,9	5-213X*	5-1330-1X* 5-1330X**	
1994	B4000	125.0" WB	JA	5,7,9	5-153X*	5-1310-1X* 5-1310X**	
	B4000	114.0" WB	JA	5,9	5-213X*	5-1330-1X* 5-1330X**	
1994-1997	B4000	w/o Double Cardan CV Joint	AA	2,3	5-153X*	5-1310-1X* 5-1310X**	
	B4000	108.0" WB	AA	5,9	5-153X*	5-1310-1X* 5-1310X**	
	B4000		JA	1	5-3226X*	5-760X**	5-760XC**
	B4000	w/ Double Cardan CV Joint	JA	2,3,4	5-153X*	5-1310-1X* 5-1310X**	
1995-1997	B4000	Extended Cab; 125.0" WB	JA	5,7,9	5-153X*	5-1310-1X* 5-1310X**	
1998-2009	B4000		AH	2	5-153X*	5-1310-1X* 5-1310X**	
	B4000		AH	5,9	5-213X*	5-1330-1X* 5-1330X**	
1989-1995	MPV		AH	2,3	5-3245-1X*		
	MPV		AH	5,9	5-3216X*		
1991-1992	Navajo	1.062" Bearing Cup Dia.	JA	1	5-3215X**		
	Navajo	1.188" Bearing Cup Dia.	JA	1	5-3226X*	5-760X**	5-760XC**
1991-1994	Navajo		JA	2,3,4,5,9	5-153X*	5-1310-1X* 5-1310X**	
1993-1994	Navajo		JA	1	5-3226X*	5-760X**	5-760XC**
2001-2006	Tribute		S	7,9	5-153X*	5-1310-1X* 5-1310X**	

**Mercedes-Benz**

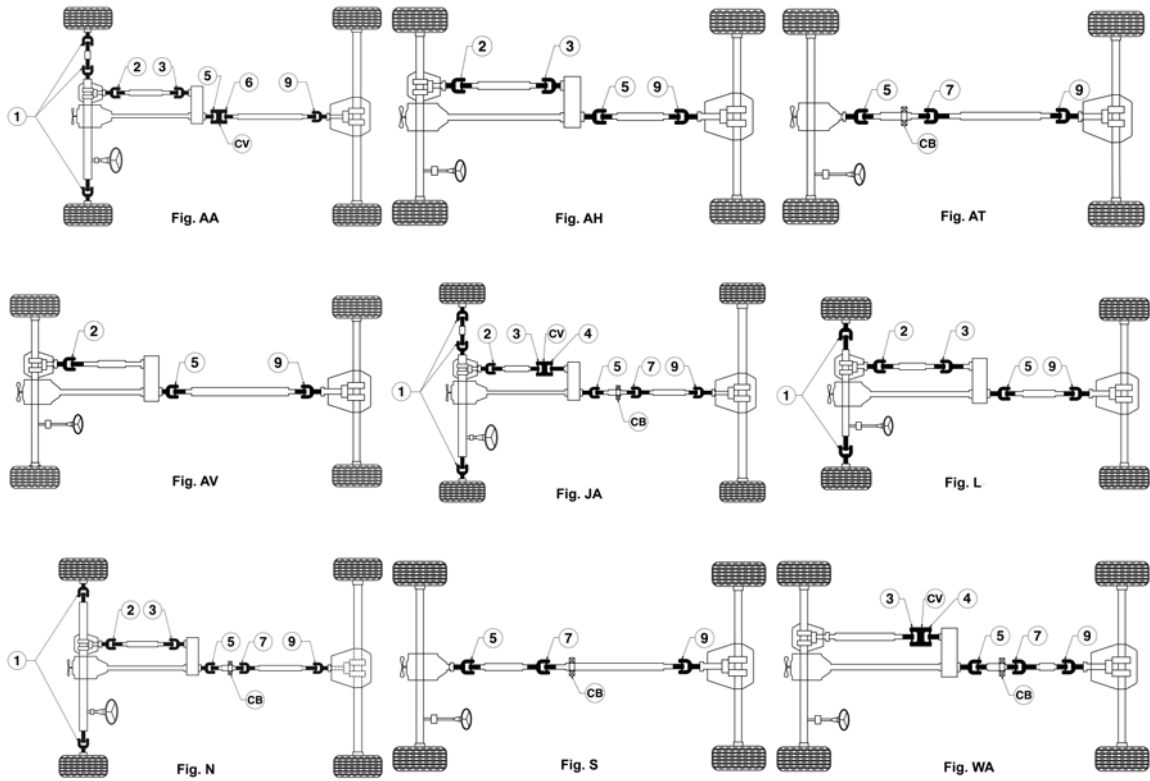
Year	Model	Description	Fig.	Location	Spicer Part #	SPL (Uncoated) Part #	SPL (Coated) Part #
2001-2003	ML320	2-Piece Driveshaft	WA	7	5-153X*	5-1310-1X* 5-1310X**	
2003-2005	ML350	2-Piece Driveshaft	WA	7	5-153X*	5-1310-1X* 5-1310X**	
2000	ML430	V8 4.3L; 2-Piece Driveshaft	WA	7	5-153X*	5-1310-1X* 5-1310X**	
2001	ML430	2-Piece Driveshaft	WA	7	5-153X*	5-1310-1X* 5-1310X**	
2002-2005	ML500	2-Piece Driveshaft	WA	7	5-153X*	5-1310-1X* 5-1310X**	
2000-2003	ML55 AMG	2-Piece Driveshaft	WA	7	5-153X*	5-1310-1X* 5-1310X**	

**Mercury**

Year	Model	Description	Fig.	Location	Spicer Part #	SPL (Uncoated) Part #	SPL (Coated) Part #
2008-2011	Mariner	2-Piece Driveshaft	AT	7,9	5-153X*	5-1310-1X* 5-1310X**	
1997-1999	Mountaineer		L	2	5-153X*	5-1310-1X* 5-1310X**	
	Mountaineer		L	5,9	5-213X*	5-1330-1X* 5-1330X**	

\* GREASEABLE \*\* NON-GREASEABLE





4  
W  
D

**Mercury (Cont'd)**

Year	Model	Description	Fig.	Location	Spicer Part #	SPL (Uncoated) Part #	SPL (Coated) Part #
2000-2003	Mountaineer	1-Piece Driveshaft	AV	2	5-153X*	5-1310-1X* 5-1310X**	
	Mountaineer	1-Piece Driveshaft	AV	5,9	5-213X*	5-1330-1X* 5-1330X**	
2009-2010	Mountaineer	V6 4.0L; 1-Piece Driveshaft	AV	2	5-153X*	5-1310-1X* 5-1310X**	
	Mountaineer	V8 4.6L; 1-Piece Driveshaft	AV	2	5-153X*	5-1310-1X* 5-1310X**	
	Mountaineer	V6 4.0L; 1-Piece Driveshaft	AV	5,9	5-178X*	5-1350-1X* 5-1350X**	SPL30-1350XC**
	Mountaineer	V8 4.6L; 1-Piece Driveshaft	AV	5,9	5-178X*	5-1350-1X* 5-1350X**	SPL30-1350XC**

**Mitsubishi**

Year	Model	Description	Fig.	Location	Spicer Part #	SPL (Uncoated) Part #	SPL (Coated) Part #
1983-1989	Mighty Max		L	2,3	5-1503X*		
	Mighty Max		L	5,9	5-3217X*		
1990-1994	Mighty Max		N	2,3	5-1503X*		
	Mighty Max		N	5,7,9	5-3243X*		
1983-1988	Montero		L	5,9	5-3217X*		
1983-1993	Montero		L	2,3	5-1503X*		
1989	Montero	2.6L	L	5,9	5-3217X*		
	Montero	3.0L	L	5,9	5-3243X*		
1994	Montero	From 12/2/93	L	5,9	5-3243X*		
1994-1996	Montero	3.0L	L	2,3	5-1503X*		
	Montero	3.5L	L	2,3	5-3217X*		
1995-1996	Montero		L	5,9	5-3243X*		
1997-1998	Montero		L	2,3	5-3217X*		

\* GREASEABLE \*\* NON-GREASEABLE

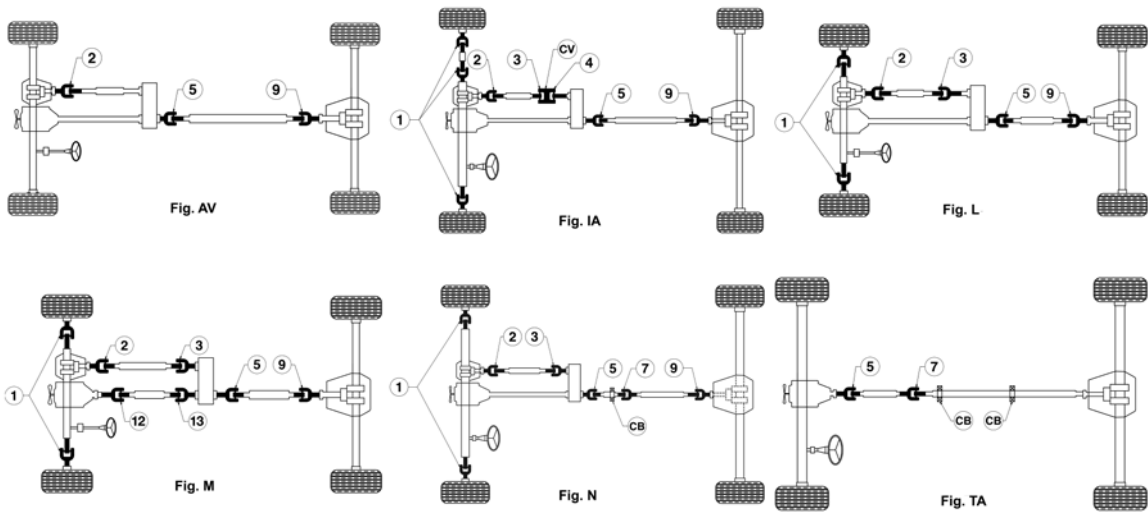
**Mitsubishi (Cont'd)**

Year	Model	Description	Fig.	Location	Spicer Part #	SPL (Uncoated) Part #	SPL (Coated) Part #
1997-1999	Montero	Auto Trans	L	9	5-3243X*		
1999	Montero		L	2	5-1503X*		
2000-2002	Montero	1-Piece Driveshaft	AV	2	5-1503X*		
1997-1998	Montero Sport		L	2	5-1503X*		
1997-1999	Montero Sport		L	5,9	5-3243X*		
1999	Montero Sport	Limited	L	2	5-3217X*		
	Montero Sport	LS; XLS	L	2	5-1503X*		
2000-2004	Montero Sport	1-Piece Driveshaft	AV	2	5-1503X*		
	Montero Sport	1-Piece Driveshaft	AV	5,9	5-3243X*		
2003-2006	Outlander	3-Piece Driveshaft	TA	5,7	5-1503X*		
2006-2009	Raider	1-Piece Driveshaft	AV	2	5-153X*	5-1310-1X* 5-1310X**	
	Raider	1-Piece Driveshaft	AV	5,9	5-213X*	5-1330-1X* 5-1330X**	

**Nissan**

Year	Model	Description	Fig.	Location	Spicer Part #	SPL (Uncoated) Part #	SPL (Coated) Part #
1980-1981	720		M	2,3,5,9,12,13	5-1501X*		
1982-1983	720	From 11/82	M	2,3,5,9,12,13	5-1505X*		
	720	To 10/82	M	2,3,5,9,12,13	5-1501X*		
1984	720		M	2,3,5,9,12,13	5-1505X*		
1985-1986	720	To 10/85	M	2,3,5,9,12,13	5-1505X*		
2005-2006	Armada	1-Piece Driveshaft	IA	5	5-178X*	5-1350-1X* 5-1350X**	SPL30-1350XC**
2005-2015	Armada	1-Piece Driveshaft	IA	2	5-153X*	5-1310-1X* 5-1310X**	
2007-2015	Armada	1-Piece Driveshaft	IA	5	5-160X*	5-1410-1X* 5-1410X**	
1986	D21	Japan Built; To 10/85	M	2,3,5,9,12,13	5-1505X*		
	D21	Japan Built; To 11/85	N	2,3	5-3218X*		
	D21	American Built; From 1/86	N	2,3,5,9	5-153X*	5-1310-1X* 5-1310X**	
	D21	Japan Built; To 11/85	N	5,9	5-1505X*		
	D21	Japan Built; From 11/85	N	7	5-1505X*		
1988-1989	D21	2.4L; Japan Built; Vin starts JN6	N	2,3	5-1501X*		
	D21	3.0L; Japan Built; Vin starts JN6	N	2,3	5-3218X*		
	D21	3.0L; American Built; Vin starts 1N6	N	2,3,5,9	5-153X*	5-1310-1X* 5-1310X**	
	D21	2.4L; Japan Built; Vin starts JN6	N	5,7,9	5-3218X*		
1988-1989	D21	3.0L; Japan Built; Vin starts JN6	N	5,7,9	5-1505X*		
	D21	3.0L; American Built; Vin starts 1N6	L	2,3,5,9	5-153X*	5-1310-1X* 5-1310X**	
1998-1999	Frontier		N	2,3	5-153X*	5-1310-1X* 5-1310X**	
1998-1999	Frontier	w/ Outside Snap Rings	N	5,7,9	5-153X*	5-1310-1X* 5-1310X**	
2000-2004	Frontier	V6 3.3L; 1-Piece Driveshaft	L	2,3,5,9	5-153X*	5-1310-1X* 5-1310X**	
	Frontier	V6 3.3L; 2-Piece Driveshaft	N	2,3,5,7,9	5-153X*	5-1310-1X* 5-1310X**	
2005-2017	Frontier	V6 4.0L; 1-Piece Driveshaft	IA	2,3,4	5-153X*	5-1310-1X* 5-1310X**	
	Frontier	V6 4.0L; 1-Piece Driveshaft	IA	5,9	5-213X*	5-1330-1X* 5-1330X**	
1988	Pathfinder	2.4L	L	2,3	5-1501X*		
	Pathfinder	3.0L	L	2,3	5-3218X*		
	Pathfinder	2.4L	L	5,9	5-3218X*		
	Pathfinder	3.0L	L	5,9	5-1505X*		
1989	Pathfinder		L	5,9	5-1505X*		
1989-1999	Pathfinder		L	2,3	5-3218X*		
1990-1999	Pathfinder	w/ Inside Snap Rings	L	5,9	5-1505X*		

\* GREASEABLE \*\* NON-GREASEABLE



**Nissan (Cont'd)**

Year	Model	Description	Fig.	Location	Spicer Part #	SPL (Uncoated) Part #	SPL (Coated) Part #
1990-1999	Pathfinder	w/ Outside Snap Rings	L	5,9	5-153X*	5-1310-1X* 5-1310X**	
2004	Pathfinder	1-Piece Driveshaft	L	2,3	5-3218X*		
	Pathfinder	1-Piece Driveshaft	L	5,9	5-1505X*		
2005-2007	Pathfinder	1-Piece Driveshaft	IA	5	5-213X*	5-1330-1X* 5-1330X**	
2005-2012	Pathfinder	1-Piece Driveshaft	IA	2	5-153X*	5-1310-1X* 5-1310X**	
2008	Pathfinder	Exc. SE Off-Road; 1-Piece Driveshaft	IA	5	5-213X*	5-1330-1X* 5-1330X**	
	Pathfinder	SE Off-Road; 1-Piece Driveshaft	IA	5	5-213X*	5-1330-1X* 5-1330X**	
2009-2011	Pathfinder	1-Piece Driveshaft	IA	5	5-178X*	5-1350-1X* 5-1350X**	SPL30-1350XC**
2012	Pathfinder	1-Piece Driveshaft	IA	5	5-213X*	5-1330-1X* 5-1330X**	
2004	Pathfinder Armada	1-Piece Driveshaft	IA	2,3,4	5-153X*	5-1310-1X* 5-1310X**	
	Pathfinder Armada	1-Piece Driveshaft	IA	5,9	5-178X*	5-1350-1X* 5-1350X**	SPL30-1350XC**
1995-1997	Pickup	1-Piece Driveshaft; American Built; Vin starts 1N6	L	2,3,5,9	5-153X*	5-1310-1X* 5-1310X**	
	Pickup	2-Piece Driveshaft; American Built; Vin starts 1N6	N	2,3,5,7,9	5-153X*	5-1310-1X* 5-1310X**	
2004	Titan	1-Piece Driveshaft	IA	2	5-178X*	5-1350-1X* 5-1350X**	SPL30-1350XC**
	Titan	1-Piece Driveshaft	IA	5	5-153X*	5-1310-1X* 5-1310X**	
2005	Titan	Flex-Fuel; 1-Piece Driveshaft	IA	2	5-178X*	5-1350-1X* 5-1350X**	SPL30-1350XC**
	Titan	Gas; 1-Piece Driveshaft	IA	2	5-153X*	5-1310-1X* 5-1310X**	
2005-2006	Titan	1-Piece Driveshaft	IA	5	5-178X*	5-1350-1X* 5-1350X**	SPL30-1350XC**
2006-2015	Titan	1-Piece Driveshaft	IA	2	5-153X*	5-1310-1X* 5-1310X**	
2007-2015	Titan	1-Piece Driveshaft	IA	5	5-160X*	5-1410-1X* 5-1410X**	
2017	Titan	1-Piece Driveshaft	IA	2	5-160X*	5-1410-1X* 5-1410X**	
2016-2017	Titan XD	1-Piece Driveshaft	IA	2,5	5-213X*	5-1330-1X* 5-1330X**	

\* GREASEABLE \*\* NON-GREASEABLE

4  
W  
D

**Nissan (Cont'd)**

Year	Model	Description	Fig.	Location	Spicer Part #	SPL (Uncoated) Part #	SPL (Coated) Part #
2000-2003	Xterra	3.3L	L	2,3,5,9	5-153X*	5-1310-1X* 5-1310X**	
2004	Xterra		L	5,9	5-153X*	5-1310-1X* 5-1310X**	
2005-2011	Xterra	1-Piece Driveshaft	IA	5	5-213X*	5-1330-1X* 5-1330X**	
2005-2015	Xterra	1-Piece Driveshaft	IA	2	5-153X*	5-1310-1X* 5-1310X**	
2012-2015	Xterra	PRO-4X; 1-Piece Driveshaft	IA	5	5-213X*	5-1330-1X* 5-1330X**	
	Xterra	S; 1-Piece Driveshaft	IA	5	5-213X*	5-1330-1X* 5-1330X**	
	Xterra	X; 1-Piece Driveshaft	IA	5	5-213X*	5-1330-1X* 5-1330X**	

**Oldsmobile**

Year	Model	Description	Fig.	Location	Spicer Part #	SPL (Uncoated) Part #	SPL (Coated) Part #
1991-1994	Bravada	w/ 2.750" Yoke	L	3	5-443X*		
	Bravada	w/ 3.500" Yoke	L	3	5-153X*	5-1310-1X* 5-1310X**	
1996-1997	Bravada		L	3,5,9	5-3147X*	5-795X**	
1998-2004	Bravada		L	2	5-3213X*		
	Bravada		L	5,9	5-3147X*	5-795X**	

**Plymouth**

Year	Model	Description	Fig.	Location	Spicer Part #	SPL (Uncoated) Part #	SPL (Coated) Part #
1974-1976	Trailduster		I	2,5	5-3228X*	5-789X**	
	Trailduster	w/ Inside Snap Rings	I	3,4	5-3147X*	5-795X**	
	Trailduster	w/ Outside Snap Rings	I	3,4	5-153X*	5-1310-1X* 5-1310X**	
1974-1977	Trailduster	w/ Inside Snap Rings	I	CV	211009X		
1974-1981	Trailduster		I	1	5-3226X*	5-760X**	5-760XC**
	Trailduster	w/ 2.125" Snap Ring	I	9	5-3228X*	5-789X**	
	Trailduster	w/ 2.625" Snap Ring	I	9	5-1309X*	5-811X**	
1977-1981	Trailduster		I	2	5-3228X*	5-789X**	
	Trailduster		I	3,4	5-3147X*	5-795X**	
	Trailduster		I	5	5-3228X*	5-789X**	
1978-1981	Trailduster		I	CV	211009X		

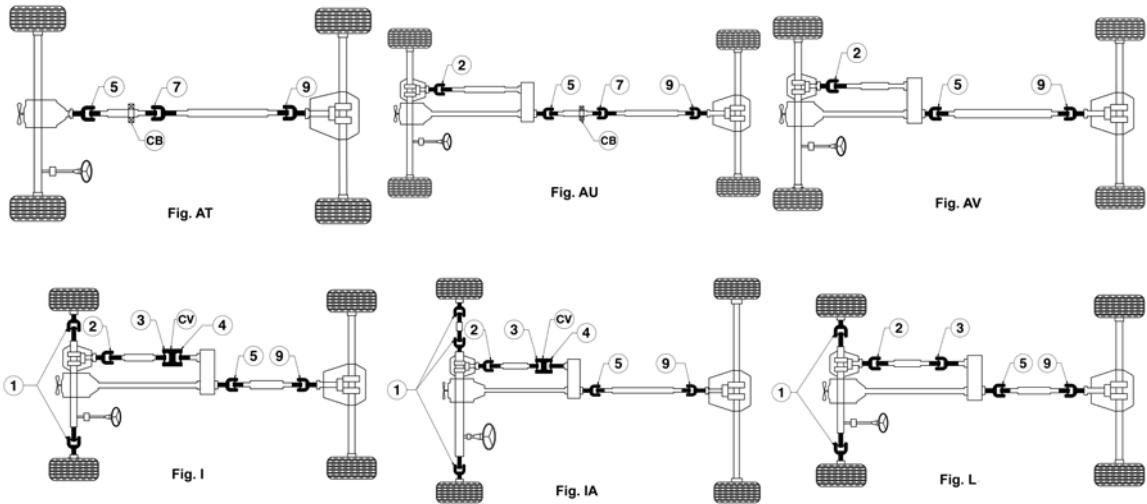
**Pontiac**

Year	Model	Description	Fig.	Location	Spicer Part #	SPL (Uncoated) Part #	SPL (Coated) Part #
2006	Torrent	2-Piece Driveshaft	AT	7,9	5-3241X*		

**Ram**

Year	Model	Description	Fig.	Location	Spicer Part #	SPL (Uncoated) Part #	SPL (Coated) Part #
2011	1500	V8 4.7L; 2-Piece Driveshaft	AU	2	5-213X*	5-1330-1X* 5-1330X**	
	1500	V8 5.7L; 2-Piece Driveshaft	AU	2	5-213X*	5-1330-1X* 5-1330X**	
	1500	V8 4.7L; Exc. Big Horn & SXT; 2-Piece Driveshaft	AU	5,7,9	5-213X*	5-1330-1X* 5-1330X**	
	1500	V8 5.7L; Exc. Big Horn & SXT; 2-Piece Driveshaft	AU	5,7,9	5-213X*	5-1330-1X* 5-1330X**	
	1500	V8 4.7L; Exc. Big Horn & SXT; 1-Piece Driveshaft	AV	5,9	5-178X*	5-1350-1X* 5-1350X**	SPL30-1350XC**
	1500	V8 5.7L; Exc. Big Horn & SXT; 1-Piece Driveshaft	AV	5,9	5-178X*	5-1350-1X* 5-1350X**	SPL30-1350XC**
2011-2012	1500	V8 4.7L; 1-Piece Driveshaft	AV	2	5-213X*	5-1330-1X* 5-1330X**	

\* GREASEABLE \*\* NON-GREASEABLE



**Ram (Cont'd)**

Year	Model	Description	Fig.	Location	Spicer Part #	SPL (Uncoated) Part #	SPL (Coated) Part #
2011-2012	1500	V8 5.7L; 1-Piece Driveshaft	AV	2	5-213X*	5-1330-1X* 5-1330X**	
2012	1500	V8 4.7L; 2-Piece Driveshaft	AU	2,5,7,9	5-213X*	5-1330-1X* 5-1330X**	
	1500	V8 5.7L; 2-Piece Driveshaft	AU	2,5,7,9	5-213X*	5-1330-1X* 5-1330X**	
	1500	V8 4.7L; 1-Piece Driveshaft	AV	5,9	5-178X*	5-1350-1X* 5-1350X**	SPL30-1350XC**
	1500	V8 5.7L; 1-Piece Driveshaft	AV	5,9	5-178X*	5-1350-1X* 5-1350X**	SPL30-1350XC**
2013	1500	Exc. ST & SXT; 2-Piece Driveshaft	AU	5,7,9	5-213X*	5-1330-1X* 5-1330X**	
2013-2014	1500	Exc. ST & SXT; 1-Piece Driveshaft	AV	5,9	5-178X*	5-1350-1X* 5-1350X**	SPL30-1350XC**
2014	1500	Exc. ST & SXT; 2-Piece Driveshaft	AU	5,7,9	5-178X*	5-1350-1X* 5-1350X**	SPL30-1350XC**
2015-2017	1500	V6 3.6L; Exc. ST & SXT; 2-Piece Driveshaft	AU	5,7,9	5-178X*	5-1350-1X* 5-1350X**	SPL30-1350XC**
	1500	V8 5.7L; Exc. ST & SXT; 2-Piece Driveshaft	AU	5,7,9	5-178X*	5-1350-1X* 5-1350X**	SPL30-1350XC**
	1500	V6 3.6L; Exc. ST & SXT; 1-Piece Driveshaft	AV	5,9	5-178X*	5-1350-1X* 5-1350X**	SPL30-1350XC**
	1500	V8 5.7L; Exc. ST & SXT; 1-Piece Driveshaft	AV	5,9	5-178X*	5-1350-1X* 5-1350X**	SPL30-1350XC**
2011	2500	Exc. Outdoorsman & SXT; 1-Piece Driveshaft	I	2,3,4	5-178X*	5-1350-1X* 5-1350X**	SPL30-1350XC**
	2500	L6 6.7L; Exc. Outdoorsman & SXT; 1-Piece Driveshaft	I	5,9	5-3206X**		
	2500	V8 5.7L; Exc. Outdoorsman & SXT; 1-Piece Driveshaft	I	5,9	5-3207X**		

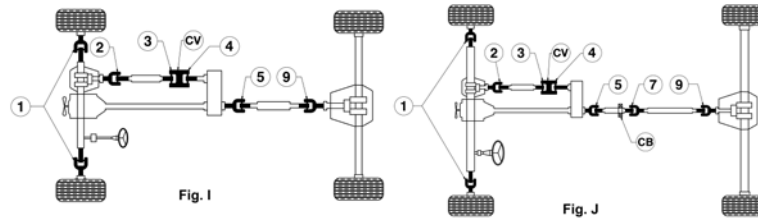
\* GREASEABLE \*\* NON-GREASEABLE

4  
W  
D

**Ram (Cont'd)**

Year	Model	Description	Fig.	Location	Spicer Part #	SPL (Uncoated) Part #	SPL (Coated) Part #
2011	2500	Exc. Outdoorsman & SXT	J	1	5-3212X**		
	2500	Exc. Outdoorsman & SXT; 2-Piece Driveshaft	J	2,3,4	5-178X*	5-1350-1X* 5-1350X**	SPL30-1350XC**
	2500	L6 6.7L; Exc. Outdoorsman & SXT; 2-Piece Driveshaft	J	5,7,9	5-3206X**		
	2500	V8 5.7L; Exc. Outdoorsman & SXT; 2-Piece Driveshaft	J	5,7,9	5-3207X**		
2012	2500	1-Piece Driveshaft	I	2,3,4	5-178X*	5-1350-1X* 5-1350X**	SPL30-1350XC**
	2500	L6 6.7L; 1-Piece Driveshaft	I	5,9	5-3206X**		
	2500	V8 5.7L; 1-Piece Driveshaft	I	5,9	5-3207X**		
	2500		J	1	5-3212X**		
	2500	2-Piece Driveshaft	J	2,3,4	5-178X*	5-1350-1X* 5-1350X**	SPL30-1350XC**
	2500	L6 6.7L; 2-Piece Driveshaft	J	5,7,9	5-3206X**		
2013	2500	V8 5.7L; 2-Piece Driveshaft	J	5,7,9	5-3207X**		
	2500	Exc. SXT; 1-Piece Driveshaft	I	2	5-160X*	5-1410-1X* 5-1410X**	
	2500	Exc. SXT; 1-Piece Driveshaft	I	5,9	5-3207X**		
	2500	Exc. SXT	J	1	5-3212X**		
	2500	Exc. SXT; 2-Piece Driveshaft	J	2	5-160X*	5-1410-1X* 5-1410X**	
2014-2017	2500	Exc. SXT; 2-Piece Driveshaft	J	5,7,9	5-155X*	SPL70-1X* SPL70X**	
	2500	Exc. ST; 1-Piece Driveshaft	I	2	5-160X*	5-1410-1X* 5-1410X**	
	2500	Exc. ST; 1-Piece Driveshaft	I	5,9	5-3207X**		
	2500	Exc. ST	J	1	5-3212X**		
	2500	Exc. ST; 2-Piece Driveshaft	J	2	5-160X*	5-1410-1X* 5-1410X**	
2011	2500	Exc. ST; 2-Piece Driveshaft	J	5,7,9	5-155X*	SPL70-1X* SPL70X**	
	3500	Exc. SXT; 1-Piece Driveshaft	I	2,3,4	5-178X*	5-1350-1X* 5-1350X**	SPL30-1350XC**
	3500	L6 6.7L; Laramie Longhorn; 1-Piece Driveshaft; Dual Rear Wheels	I	5,9	5-3230X**		
	3500	L6 6.7L; Laramie Longhorn; 1-Piece Driveshaft; Single Rear Wheels	I	5,9	5-3206X**		
	3500	Exc. SXT; 2-Piece Driveshaft	J	2,3,4	5-178X*	5-1350-1X* 5-1350X**	SPL30-1350XC**
	3500	L6 6.7L; Laramie Longhorn; 2-Piece Driveshaft; Dual Rear Wheels	J	5,7,9	5-3230X**		
	3500	L6 6.7L; Laramie Longhorn; 2-Piece Driveshaft; Single Rear Wheels	J	5,7,9	5-3206X**		
	3500	L6 6.7L; Laramie; Cab & Chassis; 2-Piece Driveshaft; Dual Rear Wheels	J	5,7,9	5-3230X**		
	3500	L6 6.7L; Laramie; Cab & Chassis; 2-Piece Driveshaft; Single Rear Wheels	J	5,7,9	5-3206X**		
	3500	L6 6.7L; Laramie; Crew Cab; 2-Piece Driveshaft; Dual Rear Wheels	J	5,7,9	5-3230X**		
	3500	L6 6.7L; Laramie; Crew Cab; 2-Piece Driveshaft; Single Rear Wheels	J	5,7,9	5-3206X**		
	3500	L6 6.7L; Laramie; Extended Crew Cab; 2-Piece Driveshaft; Dual Rear Wheels	J	5,7,9	5-3230X**		
	3500	L6 6.7L; Laramie; Extended Crew Cab; 2-Piece Driveshaft; Single Rear Wheels	J	5,7,9	5-3206X**		
	3500	L6 6.7L; SLT; Cab & Chassis; 2-Piece Driveshaft; Dual Rear Wheels	J	5,7,9	5-3230X**		
	3500	L6 6.7L; SLT; Cab & Chassis; 2-Piece Driveshaft; Single Rear Wheels	J	5,7,9	5-3206X**		
	3500	L6 6.7L; SLT; Crew Cab; 2-Piece Driveshaft; Dual Rear Wheels	J	5,7,9	5-3230X**		
	3500	L6 6.7L; SLT; Crew Cab; 2-Piece Driveshaft; Single Rear Wheels	J	5,7,9	5-3206X**		

\* GREASEABLE \*\* NON-GREASEABLE



**Ram (Cont'd)**

Year	Model	Description	Fig.	Location	Spicer Part #	SPL (Uncoated) Part #	SPL (Coated) Part #
2011	3500	L6 6.7L; SLT; Extended Crew Cab; 2-Piece Driveshaft; Dual Rear Wheels	J	5,7,9	5-3230X**		
	3500	L6 6.7L; SLT; Extended Crew Cab; 2-Piece Driveshaft; Single Rear Wheels	J	5,7,9	5-3206X**		
	3500	L6 6.7L; SLT; Standard Cab; 2-Piece Driveshaft; Dual Rear Wheels	J	5,7,9	5-3230X**		
	3500	L6 6.7L; SLT; Standard Cab; 2-Piece Driveshaft; Single Rear Wheels	J	5,7,9	5-3206X**		
	3500	L6 6.7L; ST; Cab & Chassis; 2-Piece Driveshaft; Dual Rear Wheels	J	5,7,9	5-3230X**		
	3500	L6 6.7L; ST; Cab & Chassis; 2-Piece Driveshaft; Single Rear Wheels	J	5,7,9	5-3206X**		
	3500	L6 6.7L; ST; Crew Cab; 2-Piece Driveshaft; Dual Rear Wheels	J	5,7,9	5-3230X**		
	3500	L6 6.7L; ST; Crew Cab; 2-Piece Driveshaft; Single Rear Wheels	J	5,7,9	5-3206X**		
	3500	L6 6.7L; ST; Standard Cab; 2-Piece Driveshaft; Dual Rear Wheels	J	5,7,9	5-3230X**		
	3500	L6 6.7L; ST; Standard Cab; 2-Piece Driveshaft; Single Rear Wheels	J	5,7,9	5-3206X**		
	3500	V8 5.7L; Laramie; 2-Piece Driveshaft; Dual Rear Wheels	J	5,7,9	5-3230X**		
	3500	V8 5.7L; Laramie; 2-Piece Driveshaft; Single Rear Wheels	J	5,7,9	5-3206X**		
	3500	V8 5.7L; SLT; 2-Piece Driveshaft; Dual Rear Wheels	J	5,7,9	5-3230X**		
	3500	V8 5.7L; SLT; 2-Piece Driveshaft; Single Rear Wheels	J	5,7,9	5-3206X**		
	3500	V8 5.7L; ST; 2-Piece Driveshaft; Dual Rear Wheels	J	5,7,9	5-3230X**		
3500	V8 5.7L; ST; 2-Piece Driveshaft; Single Rear Wheels	J	5,7,9	5-3206X**			
2011-2012	3500	L6 6.7L; Laramie; Cab & Chassis; Auto Trans; 1-Piece Driveshaft	I	5,9	5-3230X**		
	3500	L6 6.7L; Laramie; Cab & Chassis; Standard Trans; 1-Piece Driveshaft	I	5,9	5-3230X**		
	3500	L6 6.7L; Laramie; Crew Cab; 1-Piece Driveshaft; Dual Rear Wheels	I	5,9	5-3230X**		
	3500	L6 6.7L; Laramie; Crew Cab; 1-Piece Driveshaft; Single Rear Wheels	I	5,9	5-3206X**		
	3500	L6 6.7L; Laramie; Extended Crew Cab; 1-Piece Driveshaft; Dual Rear Wheels	I	5,9	5-3230X**		
	3500	L6 6.7L; Laramie; Extended Crew Cab; 1-Piece Driveshaft; Single Rear Wheels	I	5,9	5-3206X**		
	3500	L6 6.7L; SLT; Cab & Chassis; Auto Trans; 1-Piece Driveshaft	I	5,9	5-3230X**		
	3500	L6 6.7L; SLT; Cab & Chassis; Standard Trans; 1-Piece Driveshaft	I	5,9	5-3230X**		
	3500	L6 6.7L; SLT; Crew Cab; 1-Piece Driveshaft; Dual Rear Wheels	I	5,9	5-3230X**		
	3500	L6 6.7L; SLT; Crew Cab; 1-Piece Driveshaft; Single Rear Wheels	I	5,9	5-3206X**		

\* GREASEABLE \*\* NON-GREASEABLE

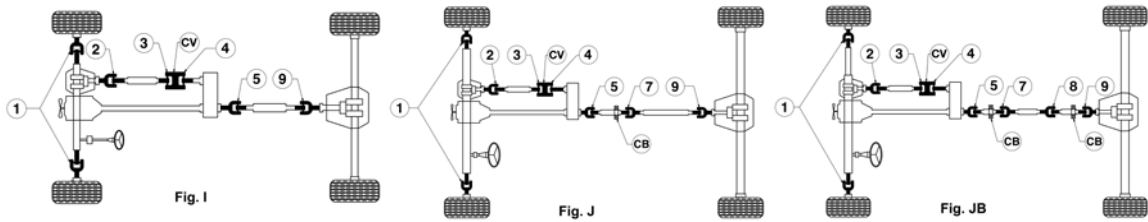
4  
W  
D

**Ram (Cont'd)**

Year	Model	Description	Fig.	Location	Spicer Part #	SPL (Uncoated) Part #	SPL (Coated) Part #
2011-2012	3500	L6 6.7L; SLT; Extended Crew Cab; 1-Piece Driveshaft; Dual Rear Wheels	I	5,9	5-3230X**		
	3500	L6 6.7L; SLT; Extended Crew Cab; 1-Piece Driveshaft; Single Rear Wheels	I	5,9	5-3206X**		
	3500	L6 6.7L; SLT; Standard Cab; 1-Piece Driveshaft; Dual Rear Wheels	I	5,9	5-3230X**		
	3500	L6 6.7L; SLT; Standard Cab; 1-Piece Driveshaft; Single Rear Wheels	I	5,9	5-3206X**		
	3500	L6 6.7L; ST; Cab & Chassis; Auto Trans; 1-Piece Driveshaft	I	5,9	5-3230X**		
	3500	L6 6.7L; ST; Cab & Chassis; Standard Trans; 1-Piece Driveshaft	I	5,9	5-3230X**		
	3500	L6 6.7L; ST; Crew Cab; 1-Piece Driveshaft; Dual Rear Wheels	I	5,9	5-3230X**		
	3500	L6 6.7L; ST; Crew Cab; 1-Piece Driveshaft; Single Rear Wheels	I	5,9	5-3206X**		
	3500	L6 6.7L; ST; Standard Cab; 1-Piece Driveshaft; Dual Rear Wheels	I	5,9	5-3230X**		
	3500	L6 6.7L; ST; Standard Cab; 1-Piece Driveshaft; Single Rear Wheels	I	5,9	5-3206X**		
	3500	V8 5.7L; Laramie; 1-Piece Driveshaft	I	5,9	5-3230X**		
	3500	V8 5.7L; SLT; 1-Piece Driveshaft	I	5,9	5-3230X**		
	3500	V8 5.7L; ST; 1-Piece Driveshaft	I	5,9	5-3230X**		
2012	3500	1-Piece Driveshaft	I	2,3,4	5-178X*	5-1350-1X* 5-1350X**	SPL30-1350XC**
	3500	Laramie Longhorn; 1-Piece Driveshaft; Dual Rear Wheels	I	5,9	5-3230X**		
	3500	Laramie Longhorn; 1-Piece Driveshaft; Single Rear Wheels	I	5,9	5-3206X**		
	3500		J	1	5-3212X**		
	3500	2-Piece Driveshaft	J	2,3,4	5-178X*	5-1350-1X* 5-1350X**	SPL30-1350XC**
	3500	2-Piece Driveshaft; Dual Rear Wheels	J	5,7	5-3230X**		
	3500	2-Piece Driveshaft; Single Rear Wheels	J	5,7	5-3206X**		
	3500	L6 6.7L; Laramie; Cab & Chassis; 2-Piece Driveshaft; Dual Rear Wheels	J	9	5-3230X**		
	3500	L6 6.7L; Laramie; Cab & Chassis; 2-Piece Driveshaft; Single Rear Wheels	J	9	5-3206X**		
	3500	L6 6.7L; Laramie; Crew Cab; 2-Piece Driveshaft; Dual Rear Wheels	J	9	5-3230X**		
	3500	L6 6.7L; Laramie; Crew Cab; 2-Piece Driveshaft; Single Rear Wheels	J	9	5-3206X**		
	3500	L6 6.7L; Laramie; Extended Crew Cab; 2-Piece Driveshaft; Dual Rear Wheels	J	9	5-3230X**		
	3500	L6 6.7L; Laramie; Extended Crew Cab; 2-Piece Driveshaft; Single Rear Wheels	J	9	5-3206X**		
	3500	L6 6.7L; SLT; Cab & Chassis; 2-Piece Driveshaft; Dual Rear Wheels	J	9	5-3230X**		
	3500	L6 6.7L; SLT; Cab & Chassis; 2-Piece Driveshaft; Single Rear Wheels	J	9	5-3206X**		
	3500	L6 6.7L; SLT; Crew Cab; 2-Piece Driveshaft; Dual Rear Wheels	J	9	5-3230X**		
	3500	L6 6.7L; SLT; Crew Cab; 2-Piece Driveshaft; Single Rear Wheels	J	9	5-3206X**		
	3500	L6 6.7L; SLT; Extended Crew Cab; 2-Piece Driveshaft; Dual Rear Wheels	J	9	5-3230X**		
	3500	L6 6.7L; SLT; Extended Crew Cab; 2-Piece Driveshaft; Single Rear Wheels	J	9	5-3206X**		
	3500	L6 6.7L; SLT; Standard Cab; 2-Piece Driveshaft; Dual Rear Wheels	J	9	5-3230X**		
	3500	L6 6.7L; SLT; Standard Cab; 2-Piece Driveshaft; Single Rear Wheels	J	9	5-3206X**		
	3500	L6 6.7L; ST; Cab & Chassis; 2-Piece Driveshaft; Dual Rear Wheels	J	9	5-3230X**		

\* GREASEABLE \*\* NON-GREASEABLE





**Ram (Cont'd)**

Year	Model	Description	Fig.	Location	Spicer Part #	SPL (Uncoated) Part #	SPL (Coated) Part #
2012	3500	L6 6.7L; ST; Cab & Chassis; 2-Piece Driveshaft; Single Rear Wheels	J	9	5-3206X**		
	3500	L6 6.7L; ST; Crew Cab; 2-Piece Driveshaft; Dual Rear Wheels	J	9	5-3230X**		
	3500	L6 6.7L; ST; Crew Cab; 2-Piece Driveshaft; Single Rear Wheels	J	9	5-3206X**		
	3500	L6 6.7L; ST; Standard Cab; 2-Piece Driveshaft; Dual Rear Wheels	J	9	5-3230X**		
	3500	L6 6.7L; ST; Standard Cab; 2-Piece Driveshaft; Single Rear Wheels	J	9	5-3206X**		
	3500	Laramie Longhorn; 2-Piece Driveshaft; Dual Rear Wheels	J	9	5-3230X**		
	3500	Laramie Longhorn; 2-Piece Driveshaft; Single Rear Wheels	J	9	5-3206X**		
	3500	V8 5.7L; Laramie; 2-Piece Driveshaft; Dual Rear Wheels	J	9	5-3230X**		
	3500	V8 5.7L; Laramie; 2-Piece Driveshaft; Single Rear Wheels	J	9	5-3206X**		
	3500	V8 5.7L; SLT; 2-Piece Driveshaft; Dual Rear Wheels	J	9	5-3230X**		
	3500	V8 5.7L; SLT; 2-Piece Driveshaft; Single Rear Wheels	J	9	5-3206X**		
	3500	V8 5.7L; ST; 2-Piece Driveshaft; Dual Rear Wheels	J	9	5-3230X**		
	3500	V8 5.7L; ST; 2-Piece Driveshaft; Single Rear Wheels	J	9	5-3206X**		
	2013	3500	Exc. SXT; 1-Piece Driveshaft	I	2	5-160X*	5-1410-1X* 5-1410X**
3500		Exc. SXT; 1-Piece Driveshaft	I	5,9	5-155X*	SPL70-1X* SPL70X**	
3500		Exc. SXT	J	1	5-3212X**		
3500		Exc. SXT; 2-Piece Driveshaft	J	2	5-160X*	5-1410-1X* 5-1410X**	
3500		Exc. SXT; 2-Piece Driveshaft	J	5,7,9	5-155X*	SPL70-1X* SPL70X**	
2014-2017	3500	Exc. ST; 1-Piece Driveshaft	I	2	5-160X*	5-1410-1X* 5-1410X**	
	3500	Exc. ST; 1-Piece Driveshaft	I	5,9	5-155X*	SPL70-1X* SPL70X**	
	3500	Exc. ST	J	1	5-3212X**		
	3500	Exc. ST; 2-Piece Driveshaft	J	2	5-160X*	5-1410-1X* 5-1410X**	
	3500	Exc. ST; 2-Piece Driveshaft	J	5,7,9	5-155X*	SPL70-1X* SPL70X**	
2011	4500	1-Piece Driveshaft	I	5,9	5-155X*	SPL70-1X* SPL70X**	
	4500	3-Piece Driveshaft	JB	2,3,4	5-178X*	5-1350-1X* 5-1350X**	SPL30-1350X**
	4500	3-Piece Driveshaft	JB	5,7,8,9	5-155X*	SPL70-1X* SPL70X**	
2011-2012	4500	1-Piece Driveshaft	I	2,3,4	5-178X*	5-1350-1X* 5-1350X**	SPL30-1350X**

\* GREASEABLE \*\* NON-GREASEABLE

4  
W  
D

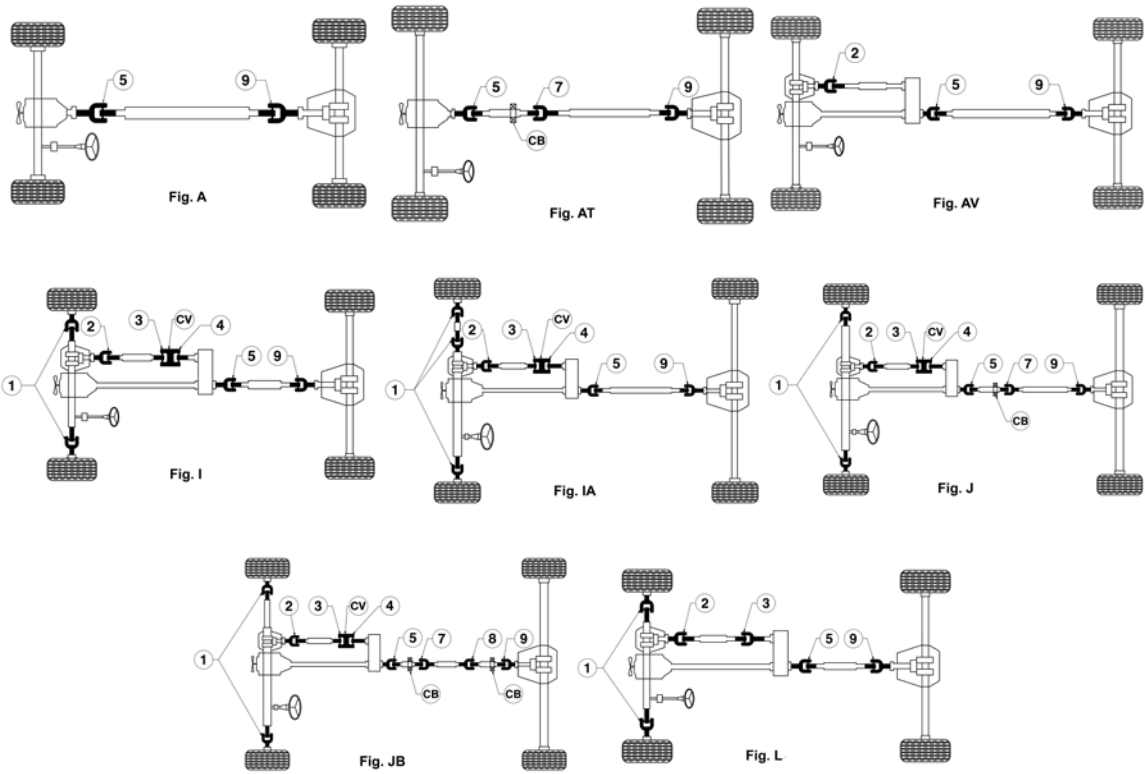
**Ram (Cont'd)**

Year	Model	Description	Fig.	Location	Spicer Part #	SPL (Uncoated) Part #	SPL (Coated) Part #
2011-2012	4500	2-Piece Driveshaft	J	2,3,4	5-178X*	5-1350-1X* 5-1350X**	SPL30-1350XC**
2012	4500	1-Piece Driveshaft	I	5,9	5-3230X**		
2014-2015	4500	Exc. ST; 1-Piece Driveshaft	I	1	5-3212X**		
	4500	Exc. ST; 1-Piece Driveshaft	I	2	5-160X*	5-1410-1X* 5-1410X**	
	4500	Exc. ST; 1-Piece Driveshaft	I	5,9	5-155X*	SPL70-1X* SPL70X**	
	4500	Exc. ST; 2-Piece Driveshaft	J	1	5-3212X**		
	4500	Exc. ST; 2-Piece Driveshaft	J	2	5-160X*	5-1410-1X* 5-1410X**	
	4500	Exc. ST; 2-Piece Driveshaft	J	5,7,9	5-155X*	SPL70-1X* SPL70X**	
2016-2017	4500	1-Piece Driveshaft	I	1	5-3212X**		
	4500	1-Piece Driveshaft	I	2	5-160X*	5-1410-1X* 5-1410X**	
	4500	1-Piece Driveshaft	I	5,9	5-155X*	SPL70-1X* SPL70X**	
	4500	2-Piece Driveshaft	J	1	5-3212X**		
	4500	2-Piece Driveshaft	J	2	5-160X*	5-1410-1X* 5-1410X**	
	4500	2-Piece Driveshaft	J	5,7,9	5-155X*	SPL70-1X* SPL70X**	
2011	5500	1-Piece Driveshaft	I	5,9	5-155X*	SPL70-1X* SPL70X**	
	5500	3-Piece Driveshaft	JB	2,3,4	5-178X*	5-1350-1X* 5-1350X**	SPL30-1350XC**
	5500	3-Piece Driveshaft	JB	5,7,8,9	5-155X*	SPL70-1X* SPL70X**	
2011-2012	5500	1-Piece Driveshaft	I	2,3,4	5-178X*	5-1350-1X* 5-1350X**	SPL30-1350XC**
	5500	2-Piece Driveshaft	J	2,3,4	5-178X*	5-1350-1X* 5-1350X**	SPL30-1350XC**
2012	5500	1-Piece Driveshaft	I	5,9	5-3230X**		
2015	5500	Exc. ST; 1-Piece Driveshaft	I	1	5-3212X**		
	5500	Exc. ST; 1-Piece Driveshaft	I	2	5-160X*	5-1410-1X* 5-1410X**	
	5500	Exc. ST; 1-Piece Driveshaft	I	5,9	5-155X*	SPL70-1X* SPL70X**	
	5500	Exc. ST; 2-Piece Driveshaft	J	1	5-3212X**		
	5500	Exc. ST; 2-Piece Driveshaft	J	2	5-160X*	5-1410-1X* 5-1410X**	
	5500	Exc. ST; 2-Piece Driveshaft	J	5,7,9	5-155X*	SPL70-1X* SPL70X**	
2016-2017	5500	1-Piece Driveshaft	I	1	5-3212X**		
	5500	1-Piece Driveshaft	I	2	5-160X*	5-1410-1X* 5-1410X**	
	5500	1-Piece Driveshaft	I	5,9	5-155X*	SPL70-1X* SPL70X**	
	5500	2-Piece Driveshaft	J	1	5-3212X**		
	5500	2-Piece Driveshaft	J	2	5-160X*	5-1410-1X* 5-1410X**	
	5500	2-Piece Driveshaft	J	5,7,9	5-155X*	SPL70-1X* SPL70X**	
2011	Dakota	1-Piece Driveshaft	AV	2	5-153X*	5-1310-1X* 5-1310X**	
	Dakota	1-Piece Driveshaft	AV	5,9	5-213X*	5-1330-1X* 5-1330X**	

**Saab**

Year	Model	Description	Fig.	Location	Spicer Part #	SPL (Uncoated) Part #	SPL (Coated) Part #
2005	9-7x	1-Piece Driveshaft	AV	2	5-3213X*		
	9-7x	1-Piece Driveshaft	AV	5,9	5-3147X*	5-795X**	

\* GREASEABLE \*\* NON-GREASEABLE



**Saab (Cont'd)**

Year	Model	Description	Fig.	Location	Spicer Part #	SPL (Uncoated) Part #	SPL (Coated) Part #
2006-2007	9-7x	1-Piece Driveshaft	AV	2,5,9	5-3147X*	5-795X**	
2008-2009	9-7x	1-Piece Driveshaft	AV	2,5	5-3213X*		
	9-7x	1-Piece Driveshaft	AV	9	5-178X*	5-1350-1X* 5-1350X**	SPL30-1350C**

**Saturn**

Year	Model	Description	Fig.	Location	Spicer Part #	SPL (Uncoated) Part #	SPL (Coated) Part #
2002-2007	Vue	2-Piece Driveshaft	AT	7,9	5-3241X*		

**Subaru**

Year	Model	Description	Fig.	Location	Spicer Part #	SPL (Uncoated) Part #	SPL (Coated) Part #
1978-1987	Brat		A	5,9	5-1501X*		

**Suzuki**

Year	Model	Description	Fig.	Location	Spicer Part #	SPL (Uncoated) Part #	SPL (Coated) Part #
2009-2012	Equator	1-Piece Driveshaft	IA	2	5-153X*	5-1310-1X* 5-1310X**	
	Equator	1-Piece Driveshaft	IA	3,4	5-213X*	5-1330-1X* 5-1330X**	
	Equator	1-Piece Driveshaft	IA	5,9	5-153X*	5-1310-1X* 5-1310X**	
1999	Grand Vitara		L	2,3	5-1503X*		
	Grand Vitara	Auto Trans	L	5,9	5-1503X*		
	Grand Vitara	Standard Trans	L	5,9	5-3257X*		
2000-2005	Grand Vitara	1-Piece Driveshaft	L	2,3	5-1503X*		
	Grand Vitara	Auto Trans; 1-Piece Driveshaft	L	5,9	5-1503X*		
	Grand Vitara	Standard Trans; 1-Piece Driveshaft	L	5,9	5-3257X*		

\* GREASEABLE \*\* NON-GREASEABLE

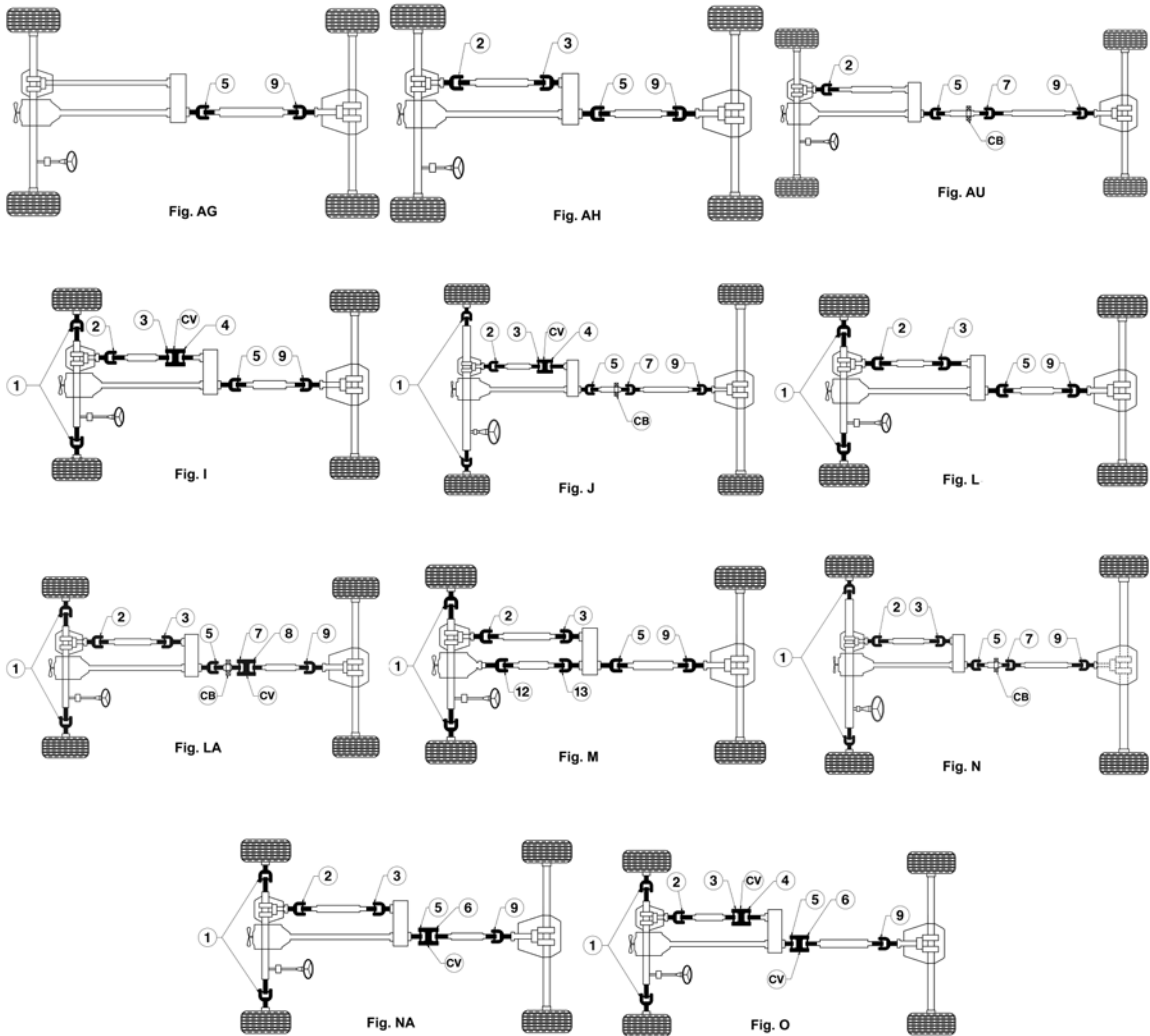
**Suzuki (Cont'd)**

Year	Model	Description	Fig.	Location	Spicer Part #	SPL (Uncoated) Part #	SPL (Coated) Part #
2006-2013	Grand Vitara	1-Piece Driveshaft	AG	5,9	5-3257X*		
1985-1995	Samurai		M	2,3,5,9,12,13	5-1503X*		
1989-1998	Sidekick		L	2,3,5,9	5-1503X*		
1999	Vitara		L	2,3,5,9	5-1503X*		
2000-2003	Vitara	1-Piece Driveshaft	L	2,3,5,9	5-1503X*		
2004	Vitara	1-Piece Driveshaft	L	2,3	5-1503X*		
	Vitara	Auto Trans; 1-Piece Driveshaft	L	5,9	5-1503X*		
	Vitara	Standard Trans; 1-Piece Driveshaft	L	5,9	5-3257X*		
2002-2006	XL-7	1-Piece Driveshaft	AH	2,3	5-1503X*		
	XL-7	1-Piece Driveshaft	AH	5	5-3257X*		

**Toyota**

Year	Model	Description	Fig.	Location	Spicer Part #	SPL (Uncoated) Part #	SPL (Coated) Part #
1984-1987	4Runner	1-Piece Driveshaft; w/ CV at Transfer Case	I	2	5-1510X*		
	4Runner	1-Piece Driveshaft; w/ CV at Transfer Case	I	3,4	5-3219-1X*		
	4Runner	1-Piece Driveshaft; w/ CV at Transfer Case	I	5,9	5-1510X*		
	4Runner	1-Piece Driveshaft; w/o CV at Transfer Case	L	2,3,5,9	5-1510X*		
	4Runner	2-Piece Driveshaft	O	2	5-1510X*		
	4Runner	2-Piece Driveshaft	O	3,4	5-3219-1X*		
	4Runner	2-Piece Driveshaft	O	5,6,9	5-1510X*		
1988-1999	4Runner		I	2,4,5,9	5-1510X*		
2000-2017	4Runner	1-Piece Driveshaft	L	2,3,5,9	5-1510X*		
2007-2014	FJ Cruiser	1-Piece Driveshaft	L	2,3,5,9	5-1510X*		
1965-1976	Land Cruiser		M	2,3,12,13	5-3224X*		
1977-1980	Land Cruiser		L	2,3,5,9	5-3221X*		
1981-1990	Land Cruiser	w/ CV at Transfer Case	I	2,5,9	5-3221X*		
	Land Cruiser	w/o CV at Transfer Case	L	2,3,5,9	5-3221X*		
1991-1997	Land Cruiser	w/ CV at Transfer Case	I	5,9	5-3221X*		
	Land Cruiser	w/o CV at Transfer Case	L	2,3	5-1510X*		
	Land Cruiser	w/o CV at Transfer Case	L	5,9	5-3221X*		
1998-2002	Land Cruiser		L	5,9	5-1510X*		
2013-2015	Land Cruiser		L	2,3,5,9	5-1510X*		
2016-2017	Land Cruiser	1-Piece Driveshaft	L	2,3,5,9	5-1510X*		
1979-1985	Pickup	2-Piece Driveshaft	J	2	5-1510X*		
	Pickup	2-Piece Driveshaft	J	3,4	5-3219-1X*		
	Pickup	2-Piece Driveshaft	J	5,7,9	5-1510X*		
	Pickup	1-Piece Driveshaft	L	2,3,5,9	5-1510X*		
1986-1988	Pickup		L	2	5-1510X*		
	Pickup		L	3	5-3219-1X*		
	Pickup		L	5,9	5-1510X*		
1989-1995	Pickup		N	2	5-1510X*		
	Pickup		N	3	5-3219-1X*		
	Pickup		N	5,9	5-1510X*		
	Pickup	Extended Cab; w/ Long Bed	N	7	5-3219-1X*		
1991-1992	Previa	Auto	L	3,5	5-1510X*		
2001-2004	Sequoia	1-Piece Driveshaft	L	2,3	5-153X*	5-1310-1X* 5-1310X**	
	Sequoia	1-Piece Driveshaft	L	5,9	5-1510X*		
2005-2007	Sequoia	1-Piece Driveshaft	L	5,9	5-3221X*		
2008-2017	Sequoia	1-Piece Driveshaft	L	2,3	5-213X*	5-1330-1X* 5-1330X**	
	Sequoia	1-Piece Driveshaft	L	5,9	5-178X*	5-1350-1X* 5-1350X**	SPL30-1350XC**
1993-1998	T100		L	2,5,9	5-1510X*		
1995-1999	Tacoma		L	2,3	5-1510X*		
	Tacoma	Extended Cab	L	5	5-1510X*		
	Tacoma	Extended Cab; Standard Cab	L	9	5-1510X*		
2000	Tacoma	L4 2.7L; SR5; 1-Piece Driveshaft	NA	2,3,9	5-1510X*		

\* GREASEABLE \*\* NON-GREASEABLE



4  
W  
D

**Toyota (Cont'd)**

Year	Model	Description	Fig.	Location	Spicer Part #	SPL (Uncoated) Part #	SPL (Coated) Part #
2000-2002	Tacoma	L4 2.7L; Base; 1-Piece Driveshaft	NA	2,3,9	5-1510X*		
2001-2003	Tacoma	V6 3.4L; Base; 2-Piece Driveshaft	LA	2,3,5,9	5-1510X*		
2003	Tacoma	L4 2.7L; Base; 2-Piece Driveshaft; Extra Cab	LA	2,3,5,9	5-1510X*		
	Tacoma	L4 2.7L; Base; Standard Cab; 1-Piece Driveshaft	NA	2,3,9	5-1510X*		
2004	Tacoma	L4 2.7L; 2-Piece Driveshaft; Extra Cab	LA	2,3,5,9	5-1510X*		
	Tacoma	V6 3.4L; 2-Piece Driveshaft	LA	2,3,5,9	5-1510X*		
	Tacoma	L4 2.7L; Standard Cab; 1-Piece Driveshaft	NA	2,3,9	5-1510X*		
2005-2014	Tacoma	V6 4.0L; 2-Piece Driveshaft	AU	5,7,9	5-213X*	5-1330-1X* 5-1330X**	
2009	Tacoma	L4 2.7L; 1-Piece Driveshaft	AG	5,9	5-213X*	5-1330-1X* 5-1330X**	
2010-2014	Tacoma	L4 2.7L; Standard Cab; 1-Piece Driveshaft	AG	5,9	5-213X*	5-1330-1X* 5-1330X**	
	Tacoma	L4 2.7L; Crew Cab; 2-Piece Driveshaft	AU	5,7,9	5-213X*	5-1330-1X* 5-1330X**	
	Tacoma	L4 2.7L; Extended Cab; 2-Piece Driveshaft	AU	5,7,9	5-213X*	5-1330-1X* 5-1330X**	

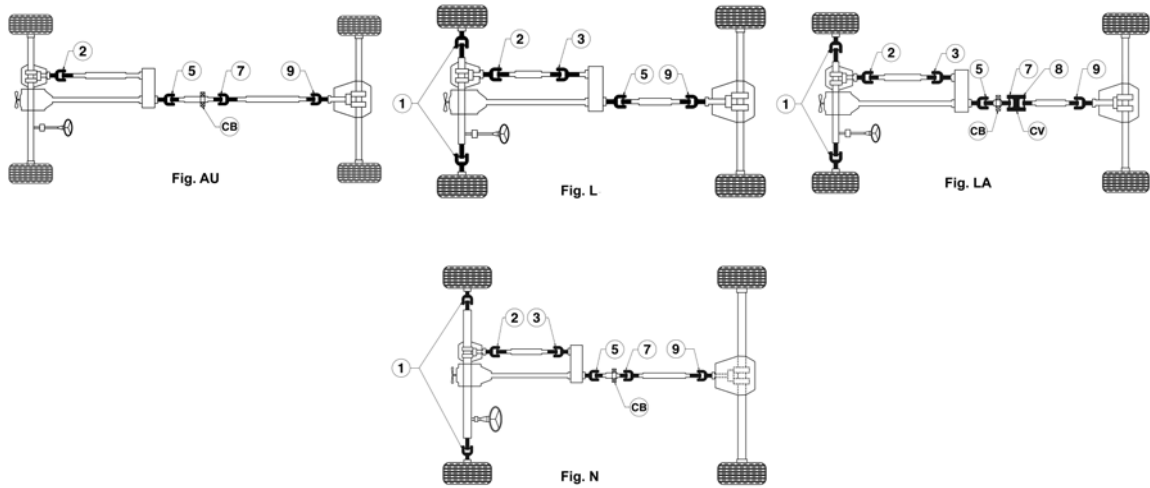
\* GREASEABLE \*\* NON-GREASEABLE

**Toyota (Cont'd)**

Year	Model	Description	Fig.	Location	Spicer Part #	SPL (Uncoated) Part #	SPL (Coated) Part #	
2015	Tacoma	2-Piece Driveshaft	AU	5,7,9	5-213X*	5-1330-1X* 5-1330X**		
2016-2017	Tacoma	V6 3.5L; 2-Piece Driveshaft	AU	5,7,9	5-178X*	5-1350-1X* 5-1350X**	SPL30-1350XC**	
2000-2004	Tundra	2-Piece Driveshaft	LA	5,9	5-1510X*			
2000-2006	Tundra	2-Piece Driveshaft	LA	2,3	5-153X*	5-1310-1X* 5-1310X**		
2005	Tundra	2-Piece Driveshaft	LA	5	5-1510X*			
2005-2006	Tundra	V8 4.7L; 2-Piece Driveshaft	LA	5,9	5-1510X*			
2007-2009	Tundra	V8 4.7L; 1-Piece Driveshaft	L	5,9	5-178X*	5-1350-1X* 5-1350X**	SPL30-1350XC**	
	Tundra	V8 5.7L; 1-Piece Driveshaft	L	5,9	5-178X*	5-1350-1X* 5-1350X**	SPL30-1350XC**	
	Tundra	V8 4.7L; 2-Piece Driveshaft	N	5,7,9	5-178X*	5-1350-1X* 5-1350X**	SPL30-1350XC**	
	Tundra	V8 5.7L; 2-Piece Driveshaft	N	5,7,9	5-178X*	5-1350-1X* 5-1350X**	SPL30-1350XC**	
2012-2013	Tundra	V8 4.6L; Base; 1-Piece Driveshaft	L	2,3	5-213X*	5-1330-1X* 5-1330X**		
	Tundra	V8 5.7L; Base; Flex-Fuel; 1-Piece Driveshaft	L	2,3	5-213X*	5-1330-1X* 5-1330X**		
	Tundra	V8 5.7L; Base; Gas; 1-Piece Driveshaft	L	2,3	5-213X*	5-1330-1X* 5-1330X**		
	Tundra	V8 4.6L; Base; 1-Piece Driveshaft	L	5,9	5-178X*	5-1350-1X* 5-1350X**	SPL30-1350XC**	
	Tundra	V8 5.7L; Base; Flex-Fuel; 1-Piece Driveshaft	L	5,9	5-178X*	5-1350-1X* 5-1350X**	SPL30-1350XC**	
	Tundra	V8 5.7L; Base; Gas; 1-Piece Driveshaft	L	5,9	5-178X*	5-1350-1X* 5-1350X**	SPL30-1350XC**	
	Tundra	V8 4.6L; Base; 2-Piece Driveshaft	N	2,3	5-213X*	5-1330-1X* 5-1330X**		
	Tundra	V8 5.7L; Base; Flex-Fuel; 2-Piece Driveshaft	N	2,3	5-213X*	5-1330-1X* 5-1330X**		
	Tundra	V8 5.7L; Base; Gas; 2-Piece Driveshaft	N	2,3	5-213X*	5-1330-1X* 5-1330X**		
	Tundra	V8 4.6L; Base; 2-Piece Driveshaft	N	5,7,9	5-178X*	5-1350-1X* 5-1350X**	SPL30-1350XC**	
	Tundra	V8 5.7L; Base; Flex-Fuel; 2-Piece Driveshaft	N	5,7,9	5-178X*	5-1350-1X* 5-1350X**	SPL30-1350XC**	
	Tundra	V8 5.7L; Base; Gas; 2-Piece Driveshaft	N	5,7,9	5-178X*	5-1350-1X* 5-1350X**	SPL30-1350XC**	
	2012-2015	Tundra	V8 5.7L; Limited; Flex-Fuel; 1-Piece Driveshaft	L	2,3	5-213X*	5-1330-1X* 5-1330X**	
		Tundra	V8 5.7L; Limited; Gas; 1-Piece Driveshaft	L	2,3	5-213X*	5-1330-1X* 5-1330X**	
Tundra		V8 5.7L; Limited; Flex-Fuel; 1-Piece Driveshaft	L	5,9	5-178X*	5-1350-1X* 5-1350X**	SPL30-1350XC**	
Tundra		V8 5.7L; Limited; Gas; 1-Piece Driveshaft	L	5,9	5-178X*	5-1350-1X* 5-1350X**	SPL30-1350XC**	
Tundra		V8 5.7L; Limited; Flex-Fuel; 2-Piece Driveshaft	N	2,3	5-213X*	5-1330-1X* 5-1330X**		
Tundra		V8 5.7L; Limited; Gas; 2-Piece Driveshaft	N	2,3	5-213X*	5-1330-1X* 5-1330X**		
Tundra		V8 5.7L; Limited; Flex-Fuel; 2-Piece Driveshaft	N	5,7,9	5-178X*	5-1350-1X* 5-1350X**	SPL30-1350XC**	
2013-2015	Tundra	V8 5.7L; Platinum; Flex-Fuel; 1-Piece Driveshaft	L	2,3	5-213X*	5-1330-1X* 5-1330X**		
	Tundra	V8 5.7L; Platinum; Gas; 1-Piece Driveshaft	L	2,3	5-213X*	5-1330-1X* 5-1330X**		
	Tundra	V8 5.7L; Platinum; Flex-Fuel; 1-Piece Driveshaft	L	5,9	5-178X*	5-1350-1X* 5-1350X**	SPL30-1350XC**	

\* GREASEABLE \*\* NON-GREASEABLE

4  
W  
D

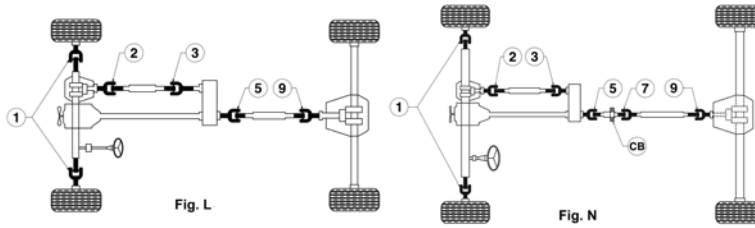


**Toyota (Cont'd)**

Year	Model	Description	Fig.	Location	Spicer Part #	SPL (Uncoated) Part #	SPL (Coated) Part #
2013-2015	Tundra	V8 5.7L; Platinum; Gas; 1-Piece Driveshaft	L	5,9	5-178X*	5-1350-1X* 5-1350X**	SPL30-1350XC**
	Tundra	V8 5.7L; Platinum; Flex-Fuel; 2-Piece Driveshaft	N	2,3	5-213X*	5-1330-1X* 5-1330X**	
	Tundra	V8 5.7L; Platinum; Gas; 2-Piece Driveshaft	N	2,3	5-213X*	5-1330-1X* 5-1330X**	
	Tundra	V8 5.7L; Platinum; Flex-Fuel; 2-Piece Driveshaft	N	5,7,9	5-178X*	5-1350-1X* 5-1350X**	SPL30-1350XC**
	Tundra	V8 5.7L; Platinum; Gas; 2-Piece Driveshaft	N	5,7,9	5-178X*	5-1350-1X* 5-1350X**	SPL30-1350XC**
2014-2015	Tundra	V8 4.6L; 1-Piece Driveshaft	L	2,3	5-213X*	5-1330-1X* 5-1330X**	
	Tundra	V8 5.7L; 1794 Edition; Flex-Fuel; 1-Piece Driveshaft	L	2,3	5-213X*	5-1330-1X* 5-1330X**	
	Tundra	V8 5.7L; 1794 Edition; Gas; 1-Piece Driveshaft	L	2,3	5-213X*	5-1330-1X* 5-1330X**	
	Tundra	V8 5.7L; SR; Flex-Fuel; 1-Piece Driveshaft	L	2,3	5-213X*	5-1330-1X* 5-1330X**	
	Tundra	V8 5.7L; SR; Gas; 1-Piece Driveshaft	L	2,3	5-213X*	5-1330-1X* 5-1330X**	
	Tundra	V8 5.7L; SR5; Flex-Fuel; 1-Piece Driveshaft	L	2,3	5-213X*	5-1330-1X* 5-1330X**	
	Tundra	V8 5.7L; SR5; Gas; 1-Piece Driveshaft	L	2,3	5-213X*	5-1330-1X* 5-1330X**	
	Tundra	V8 4.6L; 1-Piece Driveshaft	L	5,9	5-178X*	5-1350-1X* 5-1350X**	SPL30-1350XC**
	Tundra	V8 5.7L; 1794 Edition; Flex-Fuel; 1-Piece Driveshaft	L	5,9	5-178X*	5-1350-1X* 5-1350X**	SPL30-1350XC**
	Tundra	V8 5.7L; 1794 Edition; Gas; 1-Piece Driveshaft	L	5,9	5-178X*	5-1350-1X* 5-1350X**	SPL30-1350XC**
	Tundra	V8 5.7L; SR; Flex-Fuel; 1-Piece Driveshaft	L	5,9	5-178X*	5-1350-1X* 5-1350X**	SPL30-1350XC**
	Tundra	V8 5.7L; SR; Gas; 1-Piece Driveshaft	L	5,9	5-178X*	5-1350-1X* 5-1350X**	SPL30-1350XC**
	Tundra	V8 5.7L; SR5; Flex-Fuel; 1-Piece Driveshaft	L	5,9	5-178X*	5-1350-1X* 5-1350X**	SPL30-1350XC**
	Tundra	V8 5.7L; SR5; Gas; 1-Piece Driveshaft	L	5,9	5-178X*	5-1350-1X* 5-1350X**	SPL30-1350XC**
	Tundra	V8 4.6L; 2-Piece Driveshaft	N	2,3	5-213X*	5-1330-1X* 5-1330X**	
	Tundra	V8 5.7L; 1794 Edition; Flex-Fuel; 2-Piece Driveshaft	N	2,3	5-213X*	5-1330-1X* 5-1330X**	

\* GREASEABLE \*\* NON-GREASEABLE

4  
W  
D



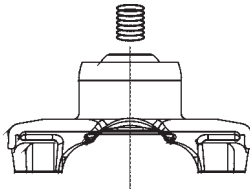
**Toyota (Cont'd)**

Year	Model	Description	Fig.	Location	Spicer Part #	SPL (Uncoated) Part #	SPL (Coated) Part #
2014-2015	Tundra	V8 5.7L; 1794 Edition; Gas; 2-Piece Driveshaft	N	2,3	5-213X*	5-1330-1X* 5-1330X**	
	Tundra	V8 5.7L; SR; Flex-Fuel; 2-Piece Driveshaft	N	2,3	5-213X*	5-1330-1X* 5-1330X**	
	Tundra	V8 5.7L; SR; Gas; 2-Piece Driveshaft	N	2,3	5-213X*	5-1330-1X* 5-1330X**	
	Tundra	V8 5.7L; SR5; Flex-Fuel; 2-Piece Driveshaft	N	2,3	5-213X*	5-1330-1X* 5-1330X**	
	Tundra	V8 5.7L; SR5; Gas; 2-Piece Driveshaft	N	2,3	5-213X*	5-1330-1X* 5-1330X**	
	Tundra	V8 4.6L; 2-Piece Driveshaft	N	5,7,9	5-178X*	5-1350-1X* 5-1350X**	SPL30-1350XC**
	Tundra	V8 5.7L; 1794 Edition; Flex-Fuel; 2-Piece Driveshaft	N	5,7,9	5-178X*	5-1350-1X* 5-1350X**	SPL30-1350XC**
	Tundra	V8 5.7L; 1794 Edition; Gas; 2-Piece Driveshaft	N	5,7,9	5-178X*	5-1350-1X* 5-1350X**	SPL30-1350XC**
	Tundra	V8 5.7L; SR; Flex-Fuel; 2-Piece Driveshaft	N	5,7,9	5-178X*	5-1350-1X* 5-1350X**	SPL30-1350XC**
	Tundra	V8 5.7L; SR; Gas; 2-Piece Driveshaft	N	5,7,9	5-178X*	5-1350-1X* 5-1350X**	SPL30-1350XC**
	Tundra	V8 5.7L; SR5; Flex-Fuel; 2-Piece Driveshaft	N	5,7,9	5-178X*	5-1350-1X* 5-1350X**	SPL30-1350XC**
	Tundra	V8 5.7L; SR5; Gas; 2-Piece Driveshaft	N	5,7,9	5-178X*	5-1350-1X* 5-1350X**	SPL30-1350XC**
2015	Tundra	V8 5.7L; TRD Pro; Flex-Fuel; 1-Piece Driveshaft	L	2,3	5-213X*	5-1330-1X* 5-1330X**	
	Tundra	V8 5.7L; TRD Pro; Gas; 1-Piece Driveshaft	L	2,3	5-213X*	5-1330-1X* 5-1330X**	
	Tundra	V8 5.7L; TRD Pro; Flex-Fuel; 1-Piece Driveshaft	L	5,9	5-178X*	5-1350-1X* 5-1350X**	SPL30-1350XC**
	Tundra	V8 5.7L; TRD Pro; Gas; 1-Piece Driveshaft	L	5,9	5-178X*	5-1350-1X* 5-1350X**	SPL30-1350XC**
	Tundra	V8 5.7L; TRD Pro; Flex-Fuel; 2-Piece Driveshaft	N	2,3	5-213X*	5-1330-1X* 5-1330X**	
	Tundra	V8 5.7L; TRD Pro; Gas; 2-Piece Driveshaft	N	2,3	5-213X*	5-1330-1X* 5-1330X**	
	Tundra	V8 5.7L; TRD Pro; Flex-Fuel; 2-Piece Driveshaft	N	5,7,9	5-178X*	5-1350-1X* 5-1350X**	SPL30-1350XC**
	Tundra	V8 5.7L; TRD Pro; Gas; 2-Piece Driveshaft	N	5,7,9	5-178X*	5-1350-1X* 5-1350X**	SPL30-1350XC**
2016-2017	Tundra	1-Piece Driveshaft	L	2,3	5-213X*	5-1330-1X* 5-1330X**	
	Tundra	1-Piece Driveshaft	L	5,9	5-178X*	5-1350-1X* 5-1350X**	SPL30-1350XC**
	Tundra	2-Piece Driveshaft	N	2,3	5-213X*	5-1330-1X* 5-1330X**	
	Tundra	2-Piece Driveshaft	N	5,7,9	5-178X*	5-1350-1X* 5-1350X**	SPL30-1350XC**

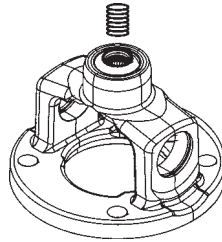
\* GREASEABLE \*\* NON-GREASEABLE

4  
W  
D

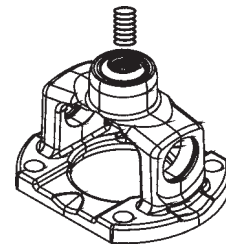




**Figure 1**



**Figure 2**



**Figure 3**

**CHECKER**

Year	Model	Note(s)	Figure	Spicer Part #
1947-1951	Taxi		1	211355X
1947-1951	Station Wagon		1	211355X
1962-1974	Aerobus		1	211355X

**CHEVROLET**

Year	Model	Note(s)	Figure	Spicer Part #
1975 -1976	K10		1	211355X
1977-1978	K10	w/ outside snap rings	1	211355X
1967-1974	K10 Pickup		1	211355X
1968-1976	K10 Suburban		1	211355X
1977 -1978	K10 Suburban	2 joint driveshaft; w/ outside snap rings	1	211355X
1977 -1978	K10 Suburban	3 joint driveshaft; w/ outside snap rings	1	211355X
1977-1978	K20	w/ outside snap rings	1	211355X
1967-1974	K20 Pickup		1	211355X
1975-1977	K5 Blazer	4WD	1	211355X
1978	K5 Blazer	4WD; w/ outside snap rings	1	211355X
1979	K30		1	211355X

**DODGE**

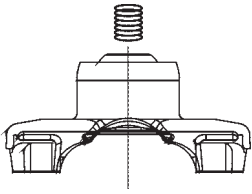
Year	Model	Note(s)	Figure	Spicer Part #
1988-1999	Dakota	4WD	1	211355X
1974-1977	Ramcharger	4WD; w/ outside snap rings	1	211355X
1975-1977	W100	w/ outside snap rings	1	211355X
1977	W150	w/ outside snap rings	1	211355X
1975-1977	W200	2 joint driveshaft; w/ outside snap rings	1	211355X
1975-1977	W300	2 joint driveshaft; w/ outside snap rings	1	211355X
1975-1977	W300	3 joint driveshaft; w/ outside snap rings	1	211355X

**FORD**

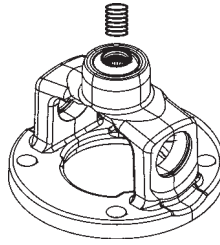
Year	Model	Note(s)	Figure	Spicer Part #
1966-1970	Bronco	4WD; to serial # G70, 001	1	211355X
1970-1974	Bronco	4WD; from serial # G70, 001	1	211355X
1975-1977	Bronco	From serial # G70, 001	1	211355X
1978	Bronco		1	211355X
1979	Bronco	1.062" and 1.125" bearing cap diameter	1	211179X
1980-1981	Bronco		1	211179X
1982-1986	Bronco	3 joint driveshaft	1	211179X
1987	Bronco	w/ outside snap rings; w/ Cleveland steel	1	211179X
1988-1989	Bronco	Automatic trans	1	211179X
1988-1989	Bronco	Standard trans; 4-Speed; exc. overdrive	1	211179X
1984	Bronco II		1	211342X
1975-1976	F-100	Full time 4WD	1	211355X
1976-1978	F-150	Full time 4WD; w/ 3.875" outside yoke	1	211355X
1979	F-150	Full time 4WD; part time 4WD	1	211179X
1975-1977	F-250	Full time 4WD	1	211355X
1978	F-250	Full time 4WD; part time 4WD	1	211355X
1979	F-250	Full time 4WD; 1.062" and 1.125" bearing cap diameter	1	211179X
1979	F-250	Part time 4WD	1	211179X
1979	F-350	Full time 4WD; part time 4WD	1	211179X
1983-1985	Ranger	4WD; 108.0" wheelbase; 72.0" bed length	1	211342X
1980-1982	Thunderbird		3	211229X

Note: Individual components not sold separately.

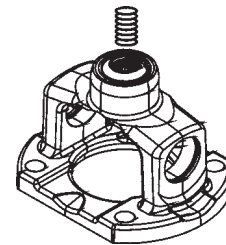
For more information on Spicer products, visit [SpicerParts.com](http://SpicerParts.com). For our e-catalog and parts locator, visit [DanaAftermarket.com](http://DanaAftermarket.com).



**Figure 1**



**Figure 2**



**Figure 3**

**GMC**

Year	Model	Note(s)	Figure	Spicer Part #
1978	Jimmy	4WD; w/ outside snap rings	1	211355X
1970-1977	Jimmy	4WD	1	211355X
1975-1976	K15		1	211355X
1977-1978	K15	w/ outside snap rings	1	211355X
1967-1974	K15/K1500 Pickup		1	211355X
1967-1974	K15/K1500 Suburban		1	211355X
1975-1976	K15 Suburban		1	211355X
1977-1978	K15 Suburban	w/ outside snap rings	1	211355X
1975-1976	K25		1	211355X
1977-1978	K25	2 joint driveshaft; w/ outside snap rings	1	211355X
1977-1978	K25	3 joint driveshaft; w/ outside snap rings	1	211355X
1967-1974	K25/K2500 Pickup		1	211355X
1979	K3500		1	211355X

**JEEP**

Year	Model	Note(s)	Figure	Spicer Part #
1974	Cherokee		1	211355X
1981-1983	Cherokee		1	211355X
1986-1987	Cherokee	4WD; HD	1	211355X
1988-1993	Cherokee	4WD	1	211355X
1979-1981	CJ5		1	211355X
1979-1981	CJ7		1	211355X
1986-1987	Comanche	4WD; HD	1	211355X
1988-1992	Comanche	4WD	1	211355X
1993	Grand Cherokee	4WD	1	211355X
1984-1991	Grand Wagoneer		1	211355X
1982-1988	J10		1	211355X
1979-1988	J20		1	211355X
1981	Scrambler		1	211355X
1978-1983	Wagoneer		1	211355X
1986-1987	Wagoneer	HD	1	211355X
1988	Wagoneer		1	211355X
1989	Wagoneer	4WD	1	211355X
1990	Wagoneer		1	211355X

**LINCOLN**

Year	Model	Note(s)	Figure	Spicer Part #
1982-1983	Continental		3	211229X
1979	Versailles	w/ 3.469" outside yoke	2	211198X
1980	Versailles		2	211198X

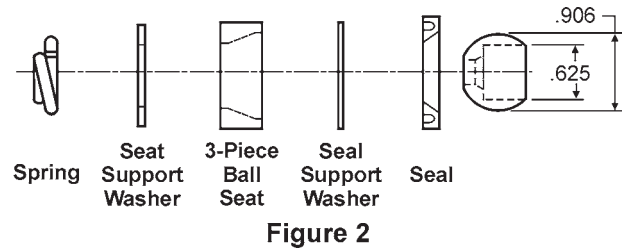
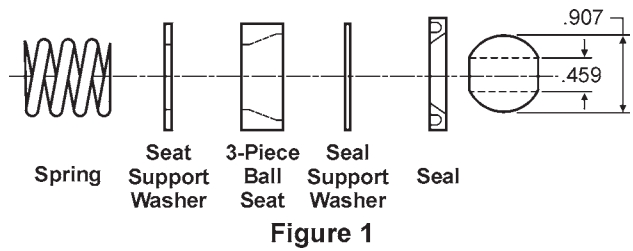
**MERCURY**

Year	Model	Note(s)	Figure	Spicer Part #
1980-1982	Cougar		3	211229X

**PLYMOUTH**

Year	Model	Note(s)	Figure	Spicer Part #
1974-1977	Trailduster	4WD; w/ outside snap rings	1	211355X

Note: Individual components not sold separately.



**BUICK**

Year	Model	Note(s)	Figure	Part #
1979	Century	3 joint driveshaft	1	211009X
1961-1963	Electra	Exc. wagon; w/ inside snap rings	2	211011X
1964-1965	Electra	Exc. wagon	2	211011X
1973-1974	Electra	Exc. wagon	1	211009X
1975-1981	Electra	3 joint driveshaft	1	211009X
1961-1963	LeSabre	Exc. wagon; w/ inside snap rings	2	211011X
1964-1965	LeSabre	Exc. wagon	2	211011X
1973-1974	LeSabre	Exc. wagon	1	211009X
1975-1981	LeSabre	3 joint driveshaft	1	211009X
1979	Regal	3 joint driveshaft	1	211009X
1964-1970	Riviera		2	211011X
1973-1978	Riviera		1	211009X
1962-1963	Wildcat	w/ inside snap rings	2	211011X
1964-1965	Wildcat		2	211011X

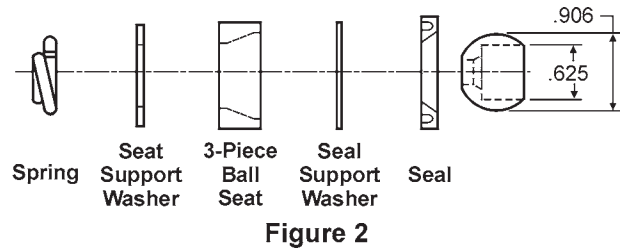
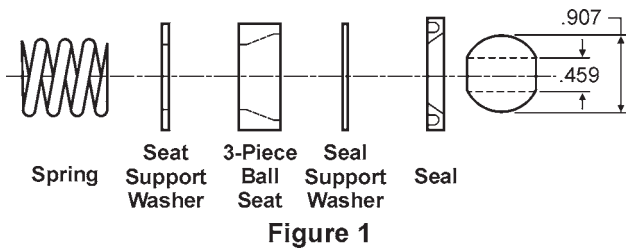
**CADILLAC**

Year	Model	Note(s)	Figure	Part #
1991-1992	Brougham	3.73 gear ratio; armored body	1	211009X
1963-1967	Commercial Chassis		2	211011X
1973-1979	Commercial Chassis		1	211009X
1980-1984	Commercial Chassis		1	211009X
1992-1996	Commercial Chassis	3.73 gear ratio; armored body	1	211009X
1965-1967	Fleetwood	Exc. 75 series; 4-joint driveshaft	2	211011X
1965-1967	Fleetwood	75 series	2	211011X
1965-1967	Fleetwood	Exc. 75 series; 3 joint driveshaft	2	211011X
1973-1979	Fleetwood	75 series	1	211009X
1973-1979	Fleetwood	Exc. 75 series	1	211009X
1980-1984	Fleetwood		1	211009X
1993-1996	Fleetwood	3.73 gear ratio; armored body	1	211009X
1963-1964	Series 75 Fleetwood		2	211011X

**CHEVROLET**

Year	Model	Note(s)	Figure	Part #
1973-1975	Bel Air	Exc. wagon; w/ inside snap rings	1	211009X
1987-1991	Blazer		1	211009X
1973-1976	Caprice	Exc. wagon; w/ inside snap rings	1	211009X
1979	Caprice		1	211009X
1973-1976	Impala	Exc. wagon; w/ inside snap rings	1	211009X
1979	Impala		1	211009X
1977-1978	K10	w/ inside snap rings	1	211009X
1979-1986	K10		1	211009X
1977-1978	K10 Suburban	2 joint driveshaft; w/ inside snap rings	1	211009X
1977-1978	K10 Suburban	3 joint driveshaft; w/ inside snap rings	1	211009X
1979-1981	K10 Suburban	2 joint driveshaft	1	211009X
1979-1981	K10 Suburban	3 joint driveshaft	1	211009X

Note: Individual components not sold separately.



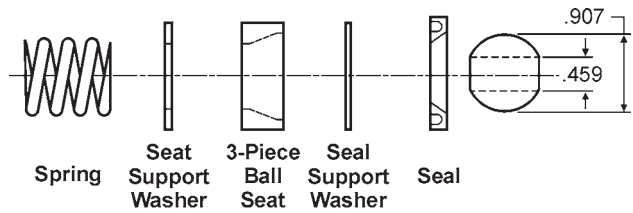
**CHEVROLET (CONTINUED)**

Year	Model	Note(s)	Figure	Part #
1982-1986	K10 Suburban		1	211009X
1977-1978	K20	w/ inside snap rings	1	211009X
1979-1986	K20		1	211009X
1980-1986	K30	4WD; 2 joint driveshaft	1	211009X
1980-1986	K30	4WD; 3 joint driveshaft	1	211009X
1978	K5 Blazer	4WD; w/ inside snap rings	1	211009X
1979-1984	K5 Blazer	4WD	1	211009X
1985-1986	K5 Blazer		1	211009X
1987	V10		1	211009X
1987-1988	V10 Suburban		1	211009X
1989-1991	V1500 Suburban		1	211009X
1987-1988	V20 Suburban		1	211009X
1989-1991	V2500 Suburban		1	211009X
1987-1988	V30	2 joint driveshaft	1	211009X
1987-1988	V30	3 joint driveshaft	1	211009X
1989-1991	V3500	2 joint driveshaft	1	211009X
1989-1990	V3500	3 joint driveshaft	1	211009X

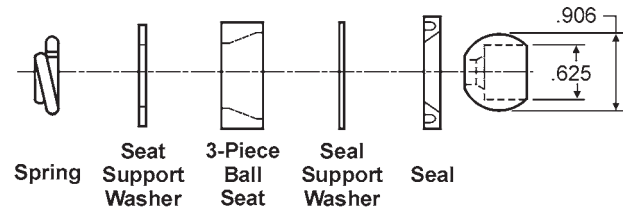
**DODGE**

Year	Model	Note(s)	Figure	Part #
1978-1993	Ramcharger	4WD	1	211009X
1974-1977	Ramcharger	4WD; w/ inside snap rings	1	211009X
1975-1977	W100	w/ inside snap rings	1	211009X
1986-1988	W100	2 joint driveshaft	1	211009X
1986-1988	W100	3 joint driveshaft	1	211009X
1989	W100	2 joint driveshaft; w/ 7290 series	1	211009X
1989	W100	3 joint driveshaft; w/ 7290 series	1	211009X
1977	W150	w/ inside snap rings	1	211009X
1978-1988	W150	2 joint driveshaft	1	211009X
1978-1988	W150	3 joint driveshaft	1	211009X
1989-1993	W150	2 joint driveshaft; w/ 7290 series	1	211009X
1989-1993	W150	3 joint driveshaft; w/ 7290 series	1	211009X
1975-1977	W200	2 joint driveshaft; w/ inside snap rings	1	211009X
1978-1980	W200	2 joint driveshaft	1	211009X
1978-1980	W200	3 joint driveshaft	1	211009X
1981	W250	2 joint driveshaft	1	211009X
1981	W250	3 joint driveshaft	1	211009X
1982-1988	W250		1	211009X
1989-1993	W250	2 joint driveshaft; w/ 7290 series	1	211009X
1989-1993	W250	3 joint driveshaft; w/ 7290 series	1	211009X
1975-1977	W300	2 joint driveshaft; w/ inside snap rings	1	211009X
1975-1977	W300	3 joint driveshaft; w/ inside snap rings	1	211009X
1978-1980	W300	2 joint driveshaft	1	211009X
1978-1980	W300	3 joint driveshaft	1	211009X
1981-1993	W350	2 joint driveshaft	1	211009X
1981-1993	W350	3 joint driveshaft	1	211009X

Note: Individual components not sold separately.



**Figure 1**



**Figure 2**

**GMC**

Year	Model	Note(s)	Figure	Part #
1978	Jimmy	4WD; w/ inside snap rings	1	211009X
1979-1984	Jimmy	4WD	1	211009X
1985-1986	Jimmy		1	211009X
1977-1978	K15	3 joint driveshaft	1	211009X
1977-1978	K15 Suburban	3 joint driveshaft	1	211009X
1979-1981	K1500	2 joint driveshaft; w/ inside snap rings	1	211009X
1979-1981	K1500	3 joint driveshaft; w/ inside snap rings	1	211009X
1982-1986	K1500		1	211009X
1982-1986	K1500 Suburban		1	211009X
1979-1981	K1500 Suburban	w/ inside snap rings	1	211009X
1977-1978	K25	2 joint driveshaft; w/ inside snap rings	1	211009X
1977-1978	K25	3 joint driveshaft; w/ inside snap rings	1	211009X
1979-1981	K2500	2 joint driveshaft	1	211009X
1979-1981	K2500	3 joint driveshaft	1	211009X
1982-1986	K2500		1	211009X
1980-1986	K3500	2 joint driveshaft	1	211009X
1980-1986	K3500	3 joint driveshaft	1	211009X
1987-1991	V1500 Suburban		1	211009X
1987-1991	V3500	2 joint driveshaft	1	211009X
1987-1991	V3500	3 joint driveshaft	1	211009X

**LINCOLN**

Year	Model	Note(s)	Figure	Part #
1977	Continental	From 5/1/77	1	211009X
1978-1979	Continental		1	211009X

**OLDSMOBILE**

Year	Model	Note(s)	Figure	Part #
1973-1978	98	Exc. wagon	1	211009X
1979	98	3 joint driveshaft	1	211009X
1973-1978	Delta 88	Royale	1	211009X
1979	Delta 88	3 joint driveshaft; Royale	1	211009X

**PLYMOUTH**

Year	Model	Note(s)	Figure	Part #
1974-1977	Trailduster	4WD; w/ inside snap rings	1	211009X
1978-1981	Trailduster	4WD	1	211009X

**PONTIAC**

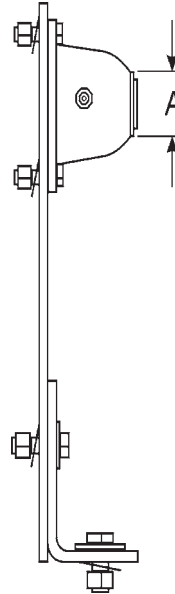
Year	Model	Note(s)	Figure	Part #
1973-1978	Bonneville	Exc. wagon	1	211009X
1979	Bonneville	3 joint driveshaft	1	211009X
1973-1978	Catalina	Exc. wagon	1	211009X
1979	Catalina	3 joint driveshaft	1	211009X
1973-1975	Grandville	Exc. wagon	1	211009X

\* Part has been discontinued † Part is available until supply is exhausted ‡ Not sold separately



Bearing I.D.	Style	Spicer Part #	Center to Center of Mounting Holes	Bracket Width
0.750	1	210330-1X*	~	~
0.875	1	210330-2X*	~	~
1.000	1	210330-4X*	~	~
1.181	7	211872-1X	5.880	1.390
1.181	8	212165-1X*	6.890	1.570
1.181	8	5009385*	6.890	1.570
1.181	8	5009385-1	6.890	1.570
1.181	32	211019-1XV	7.520	1.575
1.181	8	212166-1X	6.890	1.570
1.181	12	5016911	5.906	2.244
1.181	9	212244-1X	3.937	~
1.181	10	210527X	1.500	3.000
1.181	10	210527XV	1.500	3.000
1.181	11	211590-1X	5.880	1.310
1.181	12	5002007	5.906	2.244
1.181	12	5002334	5.906	2.362
1.181	2	212187-1X	3.700	1.181
1.181	3	211406X*	~	~
1.181	3	211514X	~	~
1.181	4	211502X*	~	~
1.181	5	211589-1X*	3.700	~
1.181	6	211750-1X	5.910	~
1.181	35	211020-1XV	7.346	1.898
1.250	1	210330-6X†	~	~
1.259	12	211571X*	5.880	1.420
1.260	11	211431X*	5.880	1.450
1.375	14	5001874	6.625	~
1.375	33	211015-1XV	6.622	1.472
1.378	15	210088-1XV	6.620	1.520
1.378	11	211175X	6.620	1.520
1.378	11	211175XV	6.620	1.520
1.378	11	211193X‡	6.620	1.726
1.378	11	211819-1X*	6.620	1.520
1.378	13	211985X*	6.620	1.520
1.378	14	212088-1X*	6.625	~
1.378	15	5015387	6.620	1.520
1.378	15	210088-1X	6.620	1.520
1.378	15	210090-1X	6.620	1.520
1.375	15	211275X‡	6.620	1.520
1.378	15	210367-1X	6.620	1.520
1.378	15	210370-1X	6.620	1.520
1.378	15	211212X	6.620	1.520
1.378	15	211415X	6.620	1.520
1.378	14	211018-1XV	6.625	1.472
1.574	11	211499X	6.620	1.520
1.574	11	211500X	6.620	1.726
1.574	11	211748-3X*	6.620	1.520
1.574	11	212053-1X	6.620	1.520
1.574	12	5017406	6.622	1.586
1.574	13	5003684	6.620	1.520
1.574	13	5017283	6.620	1.520
1.574	15	210866-1X	6.620	1.520
1.574	15	210866-1XV	6.620	1.520
1.574	15	210873-1X	6.620	1.520
1.574	15	211260X	6.620	1.520
1.574	15	5008025*	6.620	1.520
1.574	15	211359X	6.620	1.520
1.574	15	211379X	6.620	1.520
1.574	15	211735-3X	6.620	1.520
1.574	15	211793-1X	6.620	1.520
1.574	15	212093-1XV	6.620	1.520
1.574	16	211848-1X	3.380	1.500
1.574	16	211848-1XV	3.380	1.500
1.574	16	211963-1X	3.380	1.500

Bearing I.D.	Style	Spicer Part #	Center to Center of Mounting Holes	Bracket Width
1.574	17	212028-1X	6.620	1.520
1.574	18	212032-1X	6.620	1.520
1.574	19	5002103	6.693	1.520
1.574	19	5016003	6.693	1.520
1.574	19	212030-1X	6.620	1.520
1.574	19	212030-1XV	6.620	1.520
1.574	19	212031-1X	6.620	1.520
1.574	19	212031X*	6.620	1.520
1.574	19	212258-1X	6.700	1.520
1.574	19	212276-1X	6.620	1.520
1.574	20	210140-1X*	6.620	2.000
1.574	20	210144-1X*	6.620	2.000
1.574	20	210391-1X	6.620	2.000
1.574	20	210391-1XV	6.620	2.000
1.574	20	211098-1X‡	6.620	2.000
1.574	20	210433-1X	6.620	2.000
1.574	20	210433-1XV	6.620	2.000
1.574	20	211037-1X	6.620	2.000
1.574	20	211605-1X	6.620	2.030
1.574	27	5017405	6.622	0.992
1.574	27	5009792*	6.622	0.992
1.574	27	5017404*	6.622	0.992
1.574	27	5017407	6.622	0.992
1.574	27	5017410	6.622	0.992
1.574	27	5017950	6.622	0.992
1.574	27	5012704-1X	6.622	0.992
1.574	28	212144-1X	6.620	1.520
1.574	7	10001752	6.533	2.850
1.574	20	210979X*	6.620	2.000
1.574	14	211016-1XV	6.625	1.472
1.750	21	211304X*	~	~
1.771	20	210084-2X	7.620	2.250
1.771	20	210084-2XV	7.620	2.250
1.771	20	210207-1X	7.620	2.250
1.771	20	210207-1XV	7.620	2.250
1.771	20	210969-1X	7.620	2.250
1.771	20	211172-1X	7.620	2.250
1.771	22	212134-1X	7.622	2.250
1.771	22	212135-1X	7.622	2.689
1.771	22	212261-1X	7.622	2.250
1.771	23	212145-1X	7.620	2.250
1.772	34	211017-1XV	6.638	2.038
1.968	20	210881-1X	7.620	2.250
1.968	20	211625-1X	7.620	2.250
1.968	22	212142-1X	7.620	2.250
1.968	23	212153-1X*	7.620	2.250
1.968	24	212156-1X	7.620	2.250
1.968	20	210121-1X	7.620	2.250
1.968	20	210121-1XV	7.620	2.250
1.968	20	210323-1X	7.620	2.250
2.000	29	612824000	7.250	5.000
2.362	25	5003323	8.622	2.917
2.362	25	5003326	8.622	2.917
2.362	25	5003628	8.622	2.917
2.362	26	210661-1X*	8.620	2.530
2.362	26	210661-1XV	8.620	2.530
2.362	26	210875-1X*	8.620	2.530
2.362	26	210989-1X*	8.620	2.530
2.362	26	212066-1X*	8.620	2.530
2.362	26	210875-1XV	8.620	2.530
2.437	30	232373	7.385	2.380
2.559	31	212265X	5.125	3.860
2.756	25	5019571‡	8.622	2.917
2.756	25	350CB0001X	8.622	2.917
1.574	7	5023815	6.533	2.850



**STYLE 1**

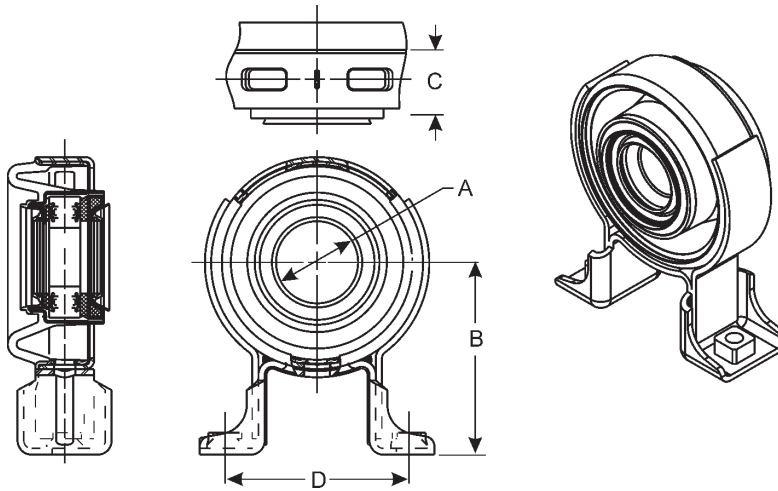
Parts not sold separately—shown for informational purposes only.

Center Bearing Assembly Part #	B Centerline to Mounting Surface	C Bracket Width	Center Bearing Major Parts			Front Slinger Part #	Rear Slinger Part #	Retainers		Notes
			Bracket Part #	Rubber Cushion Part #	Bearing and Retainer Assembly			Bottom	Top	
A = 0.750 Bearing I.D.										
210330-1X*	Max. 8"	~	230512	~	230514-1	~	~	~	~	PTO adjustable bearing hanger, variable centerline to mounting surface, max. 8"
			230513							
A = 0.875 Bearing I.D.										
210330-2X*	Max. 8"	~	230512	~	230514-2	~	~	~	~	PTO adjustable bearing hanger, variable centerline to mounting surface, max. 8"
			230513							
A = 1.000 Bearing I.D.										
210330-4X*	Max. 8"	~	230512	~	230514-4	~	~	~	~	PTO adjustable bearing hanger, variable centerline to mounting surface, max. 8"
			230513							
A = 1.250 Bearing I.D.										
210330-6X†	Max. 8"	~	230512	~	230514-6	~	~	~	~	PTO adjustable bearing hanger, variable centerline to mounting surface, max. 8"
			230513							



**IMPORTANT:** See Safety Information in General Information Section.

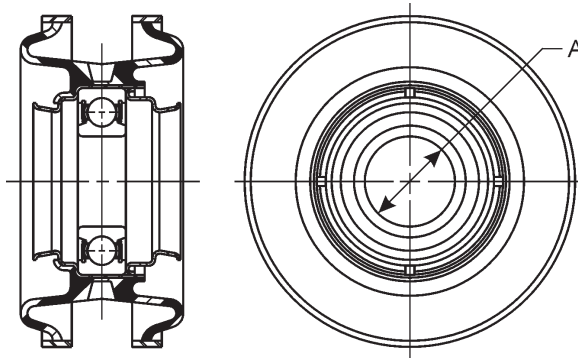
\* Part has been discontinued † Part is available until supply is exhausted ‡ Not sold separately



**STYLE 2**

Parts not sold separately—shown for informational purposes only.

Center Bearing Assembly Part #	B Centerline to Mounting Surface	C Bracket Width	Center Bearing Major Parts			Front Slinger Part #	Rear Slinger Part #	Retainers		Notes
			Bracket Part #	Rubber Cushion Part #	Bearing and Retainer Assembly			Bottom	Top	
A = 1.181 Bearing I.D.      D = 3.700      Bolt Hole/Stud Size = M12 X 1.75TH (nut)										
212187-1X	3.976	1.181	~	~	~	~	~	~	~	(2) nuts attached to bracket



**STYLE 3**

Parts not sold separately—shown for informational purposes only.

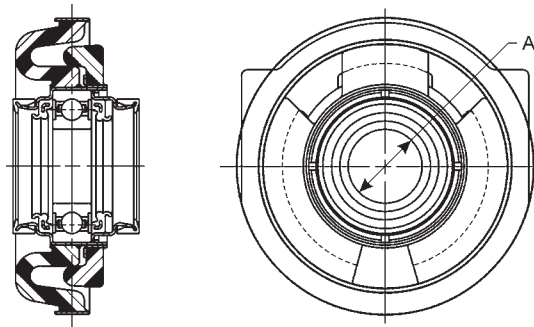
Center Bearing Assembly Part #	B Centerline to Mounting Surface	C Bracket Width	Center Bearing Major Parts			Front Slinger Part #	Rear Slinger Part #	Retainers		Notes
			Bracket Part #	Rubber Cushion Part #	Bearing and Retainer Assembly			Bottom	Top	
A = 1.181 Bearing I.D.										
211406X*	~	~	~	231653	580914-2	231563	~	~	~	211406X was replaced by 211514X
211514X	~	~	~	231653	580914-2	231563	~	~	~	Has the 211406X included, with washer 230123-12 and nut 231781



**IMPORTANT:** See Safety Information in General Information Section.

\* Part has been discontinued    † Part is available until supply is exhausted    ‡ Not sold separately

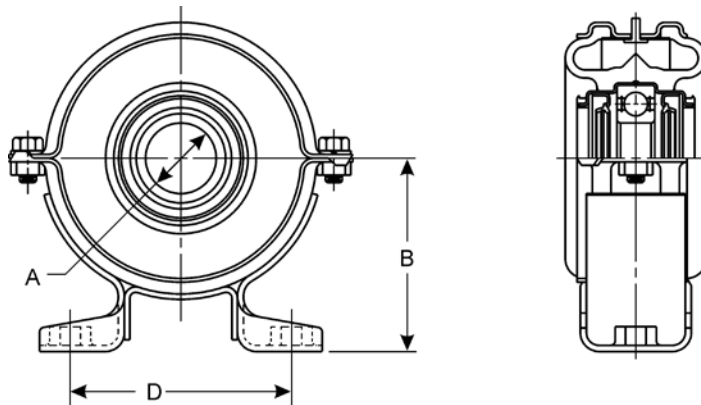




**STYLE 4**

Parts not sold separately—shown for informational purposes only.

Center Bearing Assembly Part #	B Centerline to Mounting Surface	C Bracket Width	Center Bearing Major Parts			Front Slinger Part #	Rear Slinger Part #	Retainers		Notes
			Bracket Part #	Rubber Cushion Part #	Bearing and Retainer Assembly			Bottom	Top	
A = 1.181 Bearing I.D.										
211502X*	~	~	~	231855	580914-3	~	231563	~	~	No bracket, dust cap 231811



**STYLE 5**

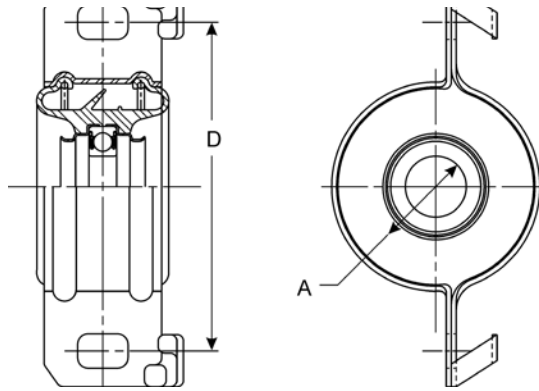
Parts not sold separately—shown for informational purposes only.

Center Bearing Assembly Part #	B Centerline to Mounting Surface	C Bracket Width	Center Bearing Major Parts			Front Slinger Part #	Rear Slinger Part #	Retainers		Notes
			Bracket Part #	Rubber Cushion Part #	Bearing and Retainer Assembly			Bottom	Top	
A = 1.181 Bearing I.D.      D = 3.700 Threaded Hole										
211589-1X*	3.230	~	~	~	~	~	~	~	~	(2) nuts attached to bracket



**IMPORTANT:** See Safety Information in General Information Section.

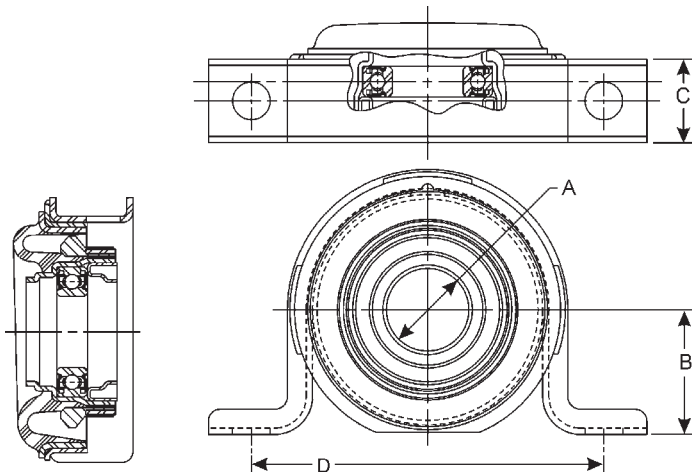
\* Part has been discontinued    † Part is available until supply is exhausted    ‡ Not sold separately



**STYLE 6**

Parts not sold separately—shown for informational purposes only.

Center Bearing Assembly Part #	B Centerline to Mounting Surface	C Bracket Width	Center Bearing Major Parts			Front Slinger Part #	Rear Slinger Part #	Retainers		Notes
			Bracket Part #	Rubber Cushion Part #	Bearing and Retainer Assembly			Bottom	Top	
A = 1.181 Bearing I.D.		D = 5.910								
211750-1X	~	~	~	~	~	~	~	~	~	



**STYLE 7**

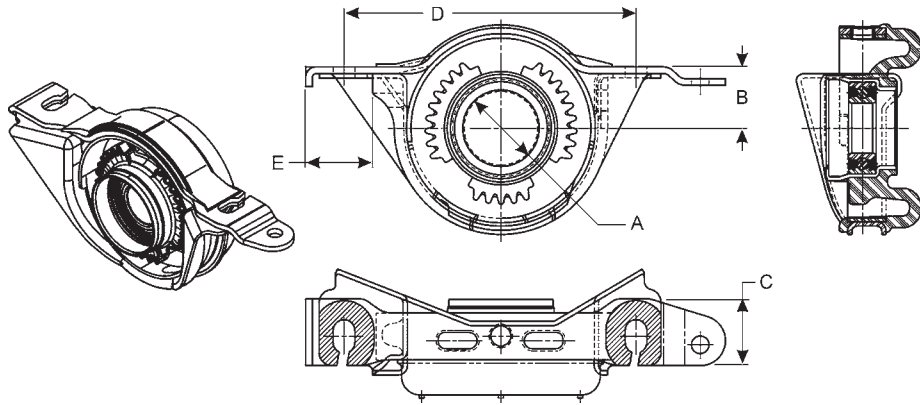
Parts not sold separately—shown for informational purposes only.

Center Bearing Assembly Part #	B Centerline to Mounting Surface	C Bracket Width	Center Bearing Major Parts			Front Slinger Part #	Rear Slinger Part #	Retainers		Notes
			Bracket Part #	Rubber Cushion Part #	Bearing and Retainer Assembly			Bottom	Top	
A = 1.181 Bearing I.D.		D = 5.880		Bolt Hole/Stud Size = 0.630 (H)						
211872-1X	2.080	1.390	211976X	211983X	580921	~	~	~	~	232520 retainer lock
A = 1.574 Bearing I.D.		D = 6.533		Bolt Hole/Stud Size = 0.504 x 0.661 (H)						
10001752	2.752	2.850	~	~	~	~	~	~	~	10017996 boot can
5023815	2.752	2.850	~	~	~	~	~	~	~	



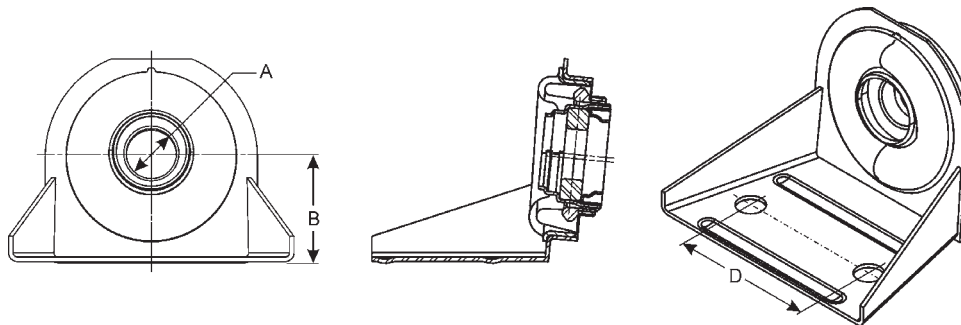
**IMPORTANT:** See Safety Information in General Information Section.

\* Part has been discontinued † Part is available until supply is exhausted ‡ Not sold separately



**STYLE 8**

Center Bearing Assembly Part #	B Centerline to Mounting Surface	C Bracket Width	Parts not sold separately—shown for informational purposes only.							Notes
			Center Bearing Major Parts			Front Slinger Part #	Rear Slinger Part #	Retainers		
			Bracket Part #	Rubber Cushion Part #	Bearing and Retainer Assembly			Bottom	Top	
A = 1.181 Bearing I.D.		D = 6.890		Bolt Hole/Stud Size = 0.787 X 0.512 (H)						
212166-1X	1.440	1.570	~	212164X	580931	~	~	~	~	E = 1.693
212165-1X*	1.440	1.570	~	212163X	580931	~	~	~	~	E = 2.087; 212165-1X was replaced by 5009385-1
5009385*	1.440	1.570	~	5009383	580931	~	~	~	~	E = 2.087; 5009385 was replaced by 5009385-1
5009385-1	1.440	1.570	~	5009383	580931	~	~	~	~	E = 2.087



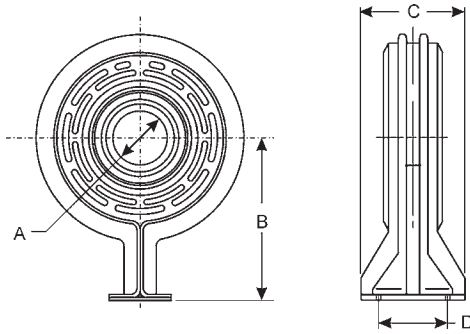
**STYLE 9**

Center Bearing Assembly Part #	B Centerline to Mounting Surface	C Bracket Width	Parts not sold separately—shown for informational purposes only.							Notes
			Center Bearing Major Parts			Front Slinger Part #	Rear Slinger Part #	Retainers		
			Bracket Part #	Rubber Cushion Part #	Bearing and Retainer Assembly			Bottom	Top	
A = 1.181 Bearing I.D.		D = 3.937		Bolt Hole/Stud Size = 0.750 (H)						
212244-1X	2.480	~	233031	211983X	580921-1	~	~	232520	~	



IMPORTANT: See Safety Information in General Information Section.

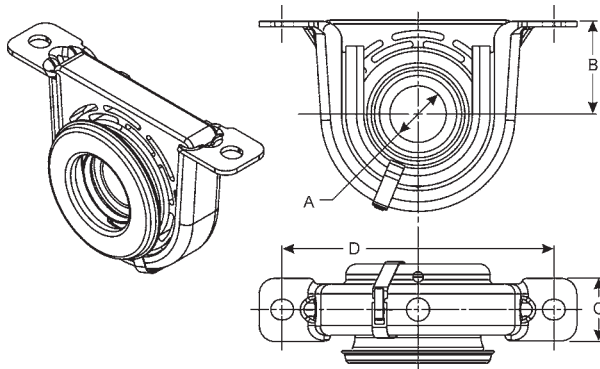
\* Part has been discontinued † Part is available until supply is exhausted ‡ Not sold separately



**STYLE 10**

Parts not sold separately—shown for informational purposes only.

Center Bearing Assembly Part #	B Centerline to Mounting Surface	C Bracket Width	Center Bearing Major Parts			Front Slinger Part #	Rear Slinger Part #	Retainers		Notes
			Bracket Part #	Rubber Cushion Part #	Bearing and Retainer Assembly			Bottom	Top	
A = 1.181 Bearing I.D.		D = 1.500 (2) Threaded Holes								
210527X	3.560	3.000	210580X	550735	230318	~	~	~	~	



**STYLE 11**

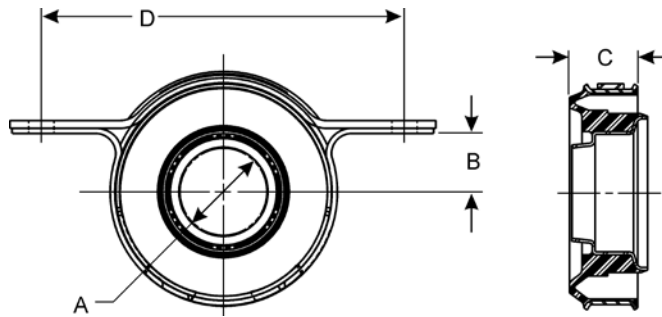
Parts not sold separately—shown for informational purposes only.

Center Bearing Assembly Part #	B Centerline to Mounting Surface	C Bracket Width	Center Bearing Major Parts			Front Slinger Part #	Rear Slinger Part #	Retainers		Notes
			Bracket Part #	Rubber Cushion Part #	Bearing and Retainer Assembly			Bottom	Top	
A = 1.181 Bearing I.D.		D = 5.880		Bolt Hole/Stud Size = 0.630 (H)						
211590-1X	1.310	1.310	5007512	231695	211554X	231696	~	3-95-139	~	
A = 1.260 Bearing I.D.		D = 5.880		Bolt Hole/Stud Size = 0.630 (H)						
211431X*	1.940	1.310	231694	231695	211409-1X	231696	~	3-95-139	~	
A = 1.378 Bearing I.D.		D = 6.620		Bolt Hole/Stud Size = 0.560 (H)						
211175X	2.250	1.520	231285	231212	210086X	231286	231256	3-95-99	~	
211193X‡	2.250	1.520	231285	231212	210086X	~	~	3-95-99	~	Not sold separately, use 211175X
211819-1X*	2.250	1.520	231285	232181	210086-3X	231286	231256	3-95-99	~	
A = 1.574 Bearing I.D.		D = 6.620		Bolt Hole/Stud Size = 0.560 (H)						
211499X	2.250	1.520	231285	231212	210865-1X	231286	231834	3-95-99	~	
211500X	2.250	1.520	231285	231212	210865-1X	~	~	3-95-99	~	
211748-3X*	2.250	1.520	231285	232181	210865-1X	231286	231834	3-95-99	~	
212053-1X	2.250	1.520	231285	231212	210865-1X	231286	~	3-95-99	~	



**IMPORTANT:** See Safety Information in General Information Section.

\* Part has been discontinued † Part is available until supply is exhausted ‡ Not sold separately



**STYLE 12**

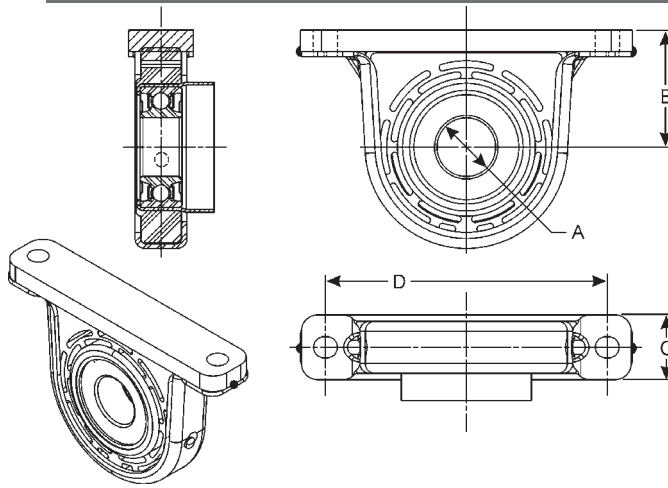
Parts not sold separately—shown for informational purposes only.

Center Bearing Assembly Part #	B Centerline to Mounting Surface	C Bracket Width	Center Bearing Major Parts			Front Slinger Part #	Rear Slinger Part #	Retainers		Notes
			Bracket Part #	Rubber Cushion Part #	Bearing and Retainer Assembly			Bottom	Top	
A = 1.181 Bearing I.D.      D = 5.906			Bolt Hole/Stud Size = 1.201 X 0.551 (H)							
5002007	0.244	2.244	~	~	~	~	~	~	~	
A = 1.181 Bearing I.D.      D = 5.906			Bolt Hole/Stud Size = 1.201 X 0.539 (H)							
5002334	0.244	2.362	~	~	~	~	~	~	~	
A = 1.181 Bearing I.D.      D = 5.906			Bolt Hole/Stud Size = 1.732 x 0.551 (H)							
5016911	1.136	2.244	~	~	~	~	~	~	~	
A = 1.259 Bearing I.D.      D = 5.880			Bolt Hole/Stud Size = 0.500 (H)							
211571X*	1.690	1.420	211478-1X	580917	231000	231596	~	~	~	
A = 1.574 Bearing I.D.      D = 6.622			Bolt Hole/Stud Size = 0.503 X 0.559 (H)							
5017406	1.472	1.586	5014397	~	5016002	~	231000	~	~	



**IMPORTANT:** See Safety Information in General Information Section.

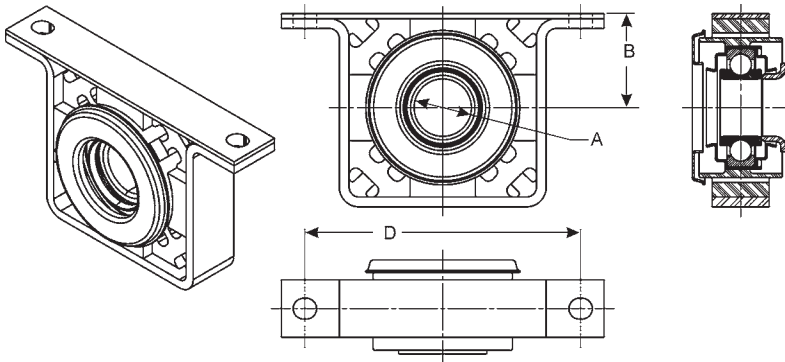
\* Part has been discontinued    † Part is available until supply is exhausted    ‡ Not sold separately



**STYLE 13**

Parts not sold separately—shown for informational purposes only.

Center Bearing Assembly Part #	B Centerline to Mounting Surface	C Bracket Width	Center Bearing Major Parts			Front Slinger Part #	Rear Slinger Part #	Retainers		Notes
			Bracket Part #	Rubber Cushion Part #	Bearing and Retainer Assembly			Bottom	Top	
A = 1.378 Bearing I.D.      D = 6.620			Bolt Hole/Stud Size = 0.560 (H)							
211985X*	2.750	1.520	231247	232615	580923	~	~	~	~	Restricted to Ford; has a 1/2" spacer attached to bracket, rubber cushion w/canister
A = 1.574 Bearing I.D.      D = 6.620			Bolt Hole/Stud Size = 0.560 (H)							
5003684	2.750	1.520	231247	212027X	580924	~	~	~	~	Has a 1/2" spacer attached to bracket, rubber cushion w/canister; less boot can
A = 1.574 Bearing I.D.      D = 6.620			Bolt Hole/Stud Size = 0.503 X 0.559 (H)							
5017283	2.750	1.520	231247	212027X	5016002	~	231000	~	~	Has a 1/2" spacer attached to bracket



**STYLE 14**

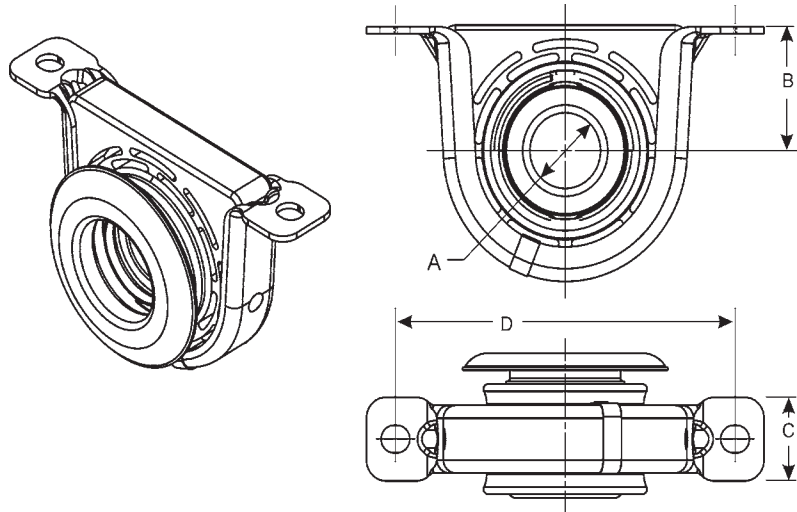
Parts not sold separately—shown for informational purposes only.

Center Bearing Assembly Part #	B Centerline to Mounting Surface	C Bracket Width	Center Bearing Major Parts			Front Slinger Part #	Rear Slinger Part #	Retainers		Notes
			Bracket Part #	Rubber Cushion Part #	Bearing and Retainer Assembly			Bottom	Top	
A = 1.378 Bearing I.D.      D = 6.625			Bolt Hole/Stud Size = 0.560 (H)							
212088-1X*	2.250	~	212087X	231286	231256	~	~	~	~	Square bracket w/thin plate
A = 1.378 Bearing I.D.      D = 6.625			Bolt Hole/Stud Size = 0.512 x 0.570 (H)							
211018-1XV	2.252	1.472	~	~	~	~	~	~	~	
A = 1.375 Bearing I.D.      D = 6.625			Bolt Hole/Stud Size = 1.142 X 0.503 (H)							
5001874	2.250	~	~	~	~	231286	231256	~	~	Square bracket w/thin plate
A = 1.574 Bearing I.D.      D = 6.625			Bolt Hole/Stud Size = 0.512 x 0.570 (H)							
211016-1XV	2.252	1.472	~	~	~	~	~	~	~	



**IMPORTANT:** See Safety Information in General Information Section.

\* Part has been discontinued    † Part is available until supply is exhausted    ‡ Not sold separately



**STYLE 15**

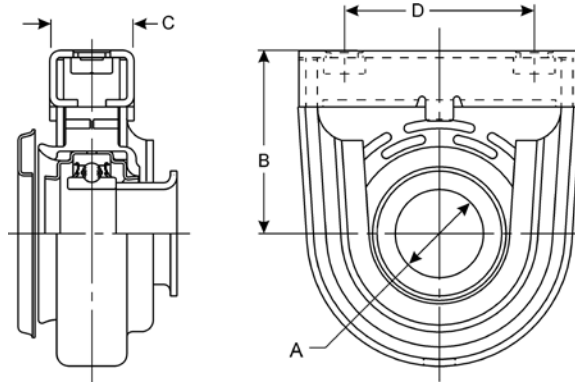
Parts not sold separately—shown for informational purposes only.

Center Bearing Assembly Part #	B Centerline to Mounting Surface	C Bracket Width	Center Bearing Major Parts			Front Slinger Part #	Rear Slinger Part #	Retainers		Notes
			Bracket Part #	Rubber Cushion Part #	Bearing and Retainer Assembly			Bottom	Top	
A = 1.378 Bearing I.D.      D = 6.620      Bolt Hole/Stud Size = 0.503 X 0.559 (H)										
5015387	2.250	1.520	231247	232165	210086X	230118	230118	~	3-95-139	
A = 1.378 Bearing I.D.      D = 6.620      Bolt Hole/Stud Size = 0.560 (H)										
210088-1X	2.250	1.520	231247	230119-1	210086X	230118	230121	3-95-139	~	
210090-1X	2.250	1.520	231247	230119-1	210086X	230118	230118	3-95-139	~	
211212X	2.250	1.520	231247	230119-1	210086X	~	~	3-95-139	~	
211275X†	2.250	1.520	231247	230119-1	210086X	~	~	3-95-139	~	Not sold separately, use 210367-1X or 210370-1X
210367-1X	2.250	1.520	231247	230119-1	210228X	230982	98-1473	3-95-139	~	
210370-1X	2.250	1.520	231247	230119-1	210228X	230982	230104	3-95-139	~	Has 98-1473 shield
211415X	2.250	1.520	231247	231709	211414X	231286	230121	3-95-139	~	
210088-1XV	2.250	1.520	~	~	~	~	~	~	~	
A = 1.574 Bearing I.D.      D = 6.620      Bolt Hole/Stud Size = 0.560 (H)										
210866-1X	2.250	1.520	231247	230119-1	210865-1X	231004	231000	3-95-139	~	
210873-1X	2.250	1.520	231247	230119-1	210865-1X	231004	231004	3-95-139	~	
211260X	2.250	1.520	231247	230119-1	210865-1X	~	~	3-95-139	~	
5008025*	2.250	1.520	231247	231212	210865-1X	~	231000	3-95-139	~	5008025 was replaced by 211359X
211359X	2.250	1.520	231247	231212	210865-1X	231286	231000	3-95-139	~	
211379X	2.250	1.520	231247	231212	210865-1X	~	~	3-95-139	~	
211735-3X	2.250	1.520	231247	232165	210865-1X	231286	231000	3-95-139	~	
211793-1X	2.250	1.520	231247	230119-1	210865-1X	231286	231000	3-95-139	~	
211793-1XV	2.250	1.520	~	~	~	231286	231000	~	~	



**IMPORTANT:** See Safety Information in General Information Section.

\* Part has been discontinued      † Part is available until supply is exhausted      ‡ Not sold separately



**STYLE 16**

Parts not sold separately—shown for informational purposes only.

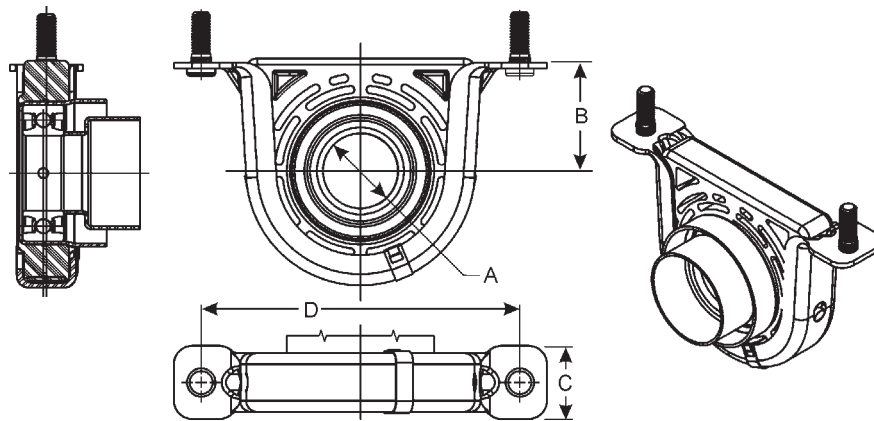
Center Bearing Assembly Part #	B Centerline to Mounting Surface	C Bracket Width	Center Bearing Major Parts			Front Slinger Part #	Rear Slinger Part #	Retainers		Notes
			Bracket Part #	Rubber Cushion Part #	Bearing and Retainer Assembly			Bottom	Top	
A = 1.574 Bearing I.D.      D = 3.380			Bolt Hole/Stud Size = 0.437 X 14TH (nut)							
211848-1X	3.250	1.500	232465	231212	210865-1X	231286	232662	~	~	Nuts are incorporated in bracket
A = 1.574 Bearing I.D.      D = 3.380			Bolt Hole/Stud Size = M10 X 1.5TH (nut)							
211963-1X	3.250	1.500	232683	231212	210865-1X	231286	232662	~	~	Nuts are incorporated in bracket



**IMPORTANT:** See Safety Information in General Information Section.

\* Part has been discontinued    † Part is available until supply is exhausted    ‡ Not sold separately

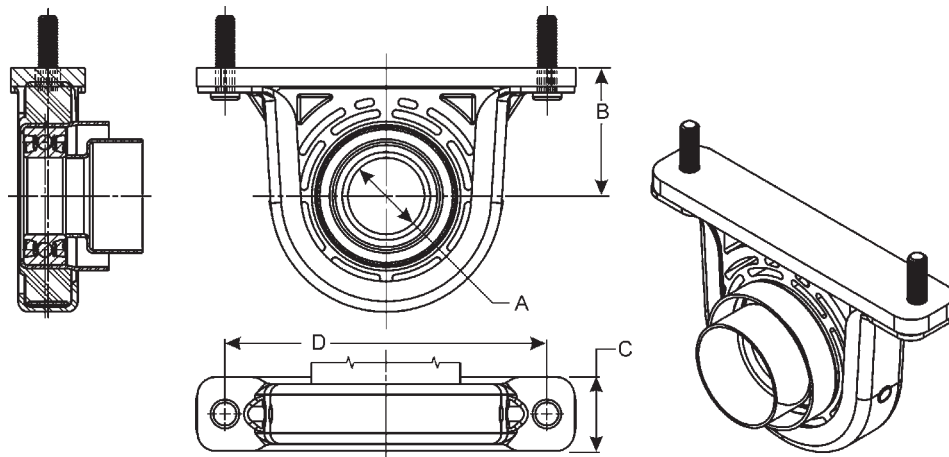




**STYLE 17**

Parts not sold separately—shown for informational purposes only.

Center Bearing Assembly Part #	B Centerline to Mounting Surface	C Bracket Width	Center Bearing Major Parts			Front Slinger Part #	Rear Slinger Part #	Retainers		Notes
			Bracket Part #	Rubber Cushion Part #	Bearing and Retainer Assembly			Bottom	Top	
A = 1.574 Bearing I.D.      D = 6.620      Bolt Hole/Stud Size = M10 X 1.5TH (stud)										
212028-1X	2.250	1.520	232820	212027X	580924	~	~	3-95-139	~	Rubber cushion w/canister studs in bracket; 232817 boot can



**STYLE 18**

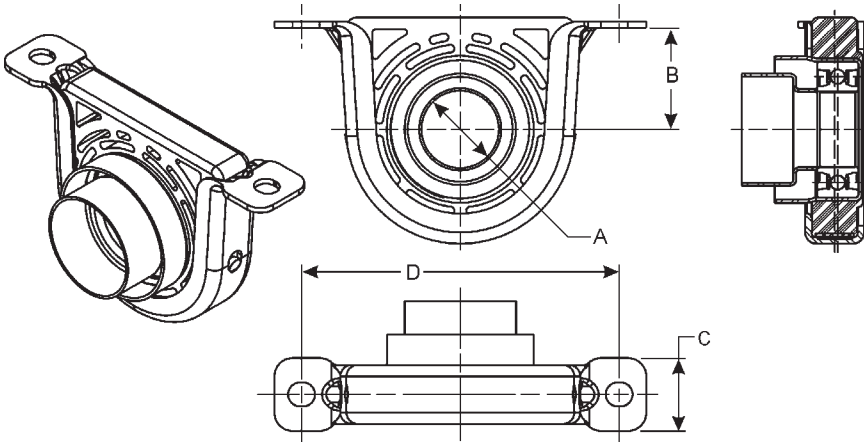
Parts not sold separately—shown for informational purposes only.

Center Bearing Assembly Part #	B Centerline to Mounting Surface	C Bracket Width	Center Bearing Major Parts			Front Slinger Part #	Rear Slinger Part #	Retainers		Notes
			Bracket Part #	Rubber Cushion Part #	Bearing and Retainer Assembly			Bottom	Top	
A = 1.574 Bearing I.D.      D = 6.620      Bolt Hole/Stud Size = M10 - 1.50TH (stud)										
212032-1X	2.630	1.520	232820	212027X	580924	~	~	~	~	Has a 0.380" spacer, rubber cushion w/canister, studs in bracket; 232817 boot can



**IMPORTANT:** See Safety Information in General Information Section.

\* Part has been discontinued    † Part is available until supply is exhausted    ‡ Not sold separately



**STYLE 19**

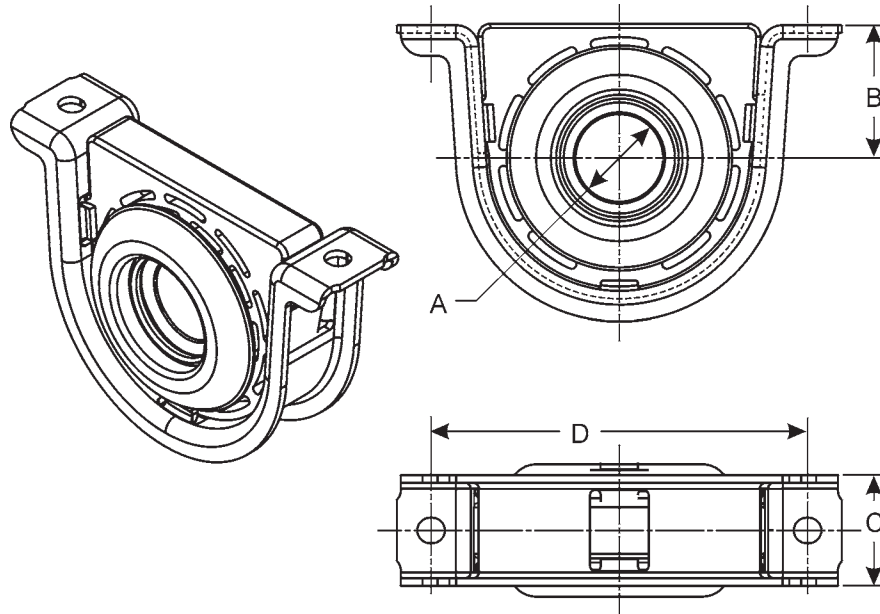
Parts not sold separately—shown for informational purposes only.

Center Bearing Assembly Part #	B Centerline to Mounting Surface	C Bracket Width	Center Bearing Major Parts			Front Slinger Part #	Rear Slinger Part #	Retainers		Notes
			Bracket Part #	Rubber Cushion Part #	Bearing and Retainer Assembly			Bottom	Top	
A = 1.574 Bearing I.D.			D = 6.620			Bolt Hole/Stud Size = 0.560 (H)				
212030-1X	2.250	1.520	231247	212027X	580924	~	~	~	~	Rubber cushion w/canister; 232817 boot can
212276-1X	2.250	1.520	231247	212027X	580924	231286	231000	~	~	No boot can used
A = 1.574 Bearing I.D.			D = 6.620			Bolt Hole/Stud Size = 1.180 X 0.430 (H)				
212031X*	2.250	1.520	232824	212027X	580924	~	~	~	~	Rubber cushion w/canister; less boot can; 212031X was replaced by 212031-1X
212031-1X	2.250	1.520	232824	212027X	580924	~	~	~	~	Rubber cushion w/canister; 232817 boot can
A = 1.574 Bearing I.D.			D = 6.693			Bolt Hole/Stud Size = 0.413 (H)				
5002103	2.250	1.520	233052	212027X	580924	~	~	~	~	Rubber cushion w/canister; 232817 boot can
5016003	2.250	1.520	233052	212027X	5016002	~	~	~	~	Rubber cushion w/canister; 232817 boot can
A = 1.574 Bearing I.D.			D = 6.700			Bolt Hole/Stud Size = 0.470 (H)				
212258-1X	2.250	1.520	233052	5001377	580924	~	~	~	~	Rubber cushion w/canister; 232817 boot can



**IMPORTANT:** See Safety Information in General Information Section.

\* Part has been discontinued † Part is available until supply is exhausted ‡ Not sold separately



**STYLE 20**

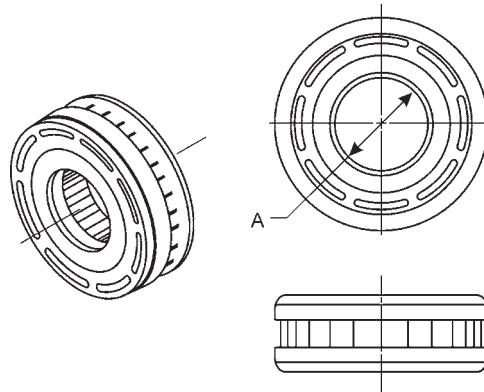
Parts not sold separately—shown for informational purposes only.

Center Bearing Assembly Part #	B Centerline to Mounting Surface	C Bracket Width	Center Bearing Major Parts			Front Slinger Part #	Rear Slinger Part #	Retainers		Notes
			Bracket Part #	Rubber Cushion Part #	Bearing and Retainer Assembly			Bottom	Top	
A = 1.574 Bearing I.D.		D = 6.620		Bolt Hole/Stud Size = 0.560 (H)						
210140-1X*	2.440	2.000	230549	230126-1	210119-1X	230207	232208	~	~	
210144-1X*	2.440	2.000	230549	230126-1	210119-1X	230207	230207	~	~	
210391-1X	2.440	2.000	230549	230126-1	210085-1X	230124	230124	~	~	
211098-1X‡	2.440	2.000	230549	230126-1	210085-1X	~	~	~	~	Not sold separately, use 210433-1X or 211037-1
210433-1X	2.440	2.000	230549	230126-1	210085-1X	230124	230209	~	~	
211037-1X	2.440	2.000	230549	230126-1	210085-1X	230124	230209	~	~	
211605-1X	2.440	2.250	230148	213997	210085-1X	230124	~	~	~	Solid rubber cushion
210979X*	2.440	2.000	230549	210119-1X	230126-1	~	~	~	~	
A = 1.771 Bearing I.D.		D = 7.620		Bolt Hole/Stud Size = 0.560 (H)						
210084-2X	2.690	2.250	230148	230147-3	210092-1X	230151	230151	~	~	
210207-1X	2.690	2.250	230148	230147-3	210092-1X	230151	230363	~	~	
210969-1X	2.690	2.250	230148	230147-3	210091-1X	~	~	~	~	
211172-1X	2.690	2.250	230148	230147-3	210092-1X	230151	230151	~	~	Includes additional slinger 230363
25-210084-2X	2.690	2.250	230148	230147-3	210092-1X	230151	230151	~	~	Spicer Select
A = 1.968 Bearing I.D.		D = 7.620		Bolt Hole/Stud Size = 0.620 (H)						
210121-1X	2.780	2.250	230164	230167-1	210120-1X	230166	230166	~	~	
210323-1X	2.780	2.250	230164	230958-1	210120-1X	~	~	~	~	
210881-1X	2.780	2.250	230164	230958-1	210120-1X	230166	230166	~	~	
211625-1X	2.780	2.250	230164	230167-1	210120-1X	230166	231994	~	~	
25-210121-1X	2.780	2.250	230164	230167-1	210120-1X	230166	230166	~	~	Spicer Select



**IMPORTANT:** See Safety Information in General Information Section.

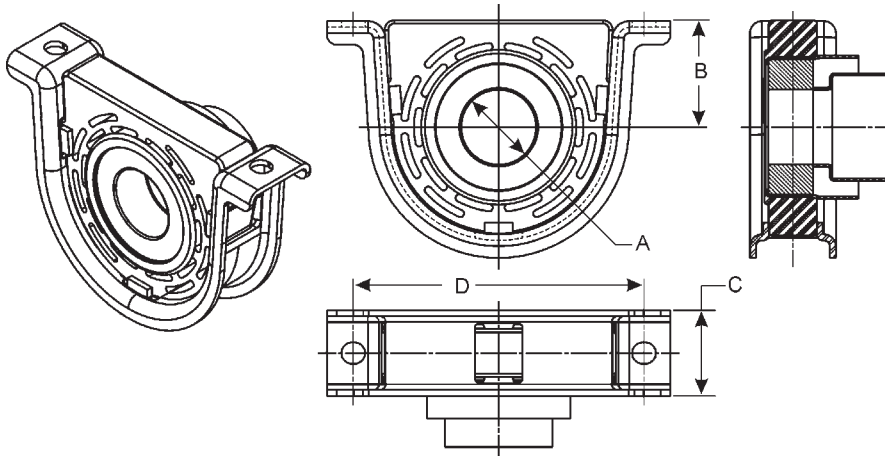
\* Part has been discontinued    † Part is available until supply is exhausted    ‡ Not sold separately



**STYLE 21**

Parts not sold separately—shown for informational purposes only.

Center Bearing Assembly Part #	B Centerline to Mounting Surface	C Bracket Width	Center Bearing Major Parts			Front Slinger Part #	Rear Slinger Part #	Retainers		Notes
			Bracket Part #	Rubber Cushion Part #	Bearing and Retainer Assembly			Bottom	Top	
A = 1.750 Bearing I.D.										
211304X*	~	~	~	~	~	~	~	~	~	



**STYLE 22**

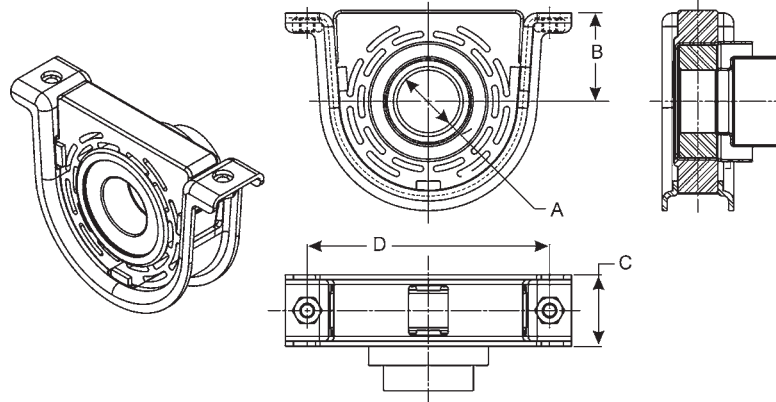
Parts not sold separately—shown for informational purposes only.

Center Bearing Assembly Part #	B Centerline to Mounting Surface	C Bracket Width	Center Bearing Major Parts			Front Slinger Part #	Rear Slinger Part #	Retainers		Notes
			Bracket Part #	Rubber Cushion Part #	Bearing and Retainer Assembly			Bottom	Top	
A = 1.771 Bearing I.D.      D = 7.622      Bolt Hole/Stud Size = 0.560 (H)										
212135-1X	2.690	2.250	230148	212133X	580932	~	~	~	~	232930 boot can; rubber cushion with canister
A = 1.771 Bearing I.D.      D = 7.622      Bolt Hole/Stud Size = 0.620 (H)										
212134-1X	2.689	2.250	230148	212133X	580932	~	~	~	~	Less boot can
212261-1X	2.690	2.250	233077	212133X	580932	~	~	~	~	Less boot can; rubber cushion with canister
A = 1.968 Bearing I.D.      D = 7.622      Bolt Hole/Stud Size = 0.622 (H)										
212142-1X	2.780	2.250	230164	212141X	580933	~	~	~	~	232944 boot can; rubber cushion with canister



**IMPORTANT:** See Safety Information in General Information Section.

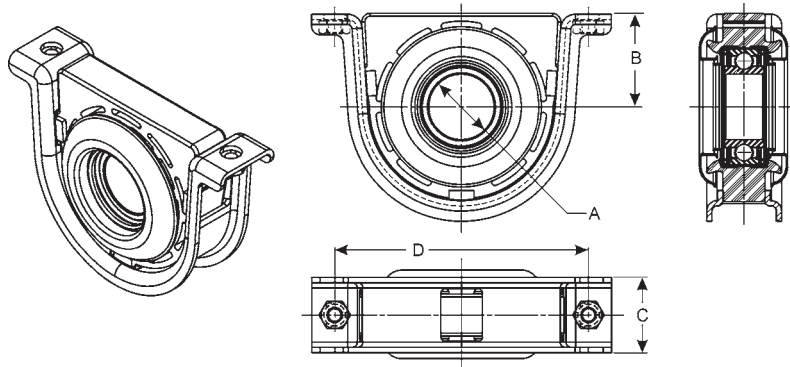
\* Part has been discontinued    † Part is available until supply is exhausted    ‡ Not sold separately



**STYLE 23**

Parts not sold separately—shown for informational purposes only.

Center Bearing Assembly Part #	B Centerline to Mounting Surface	C Bracket Width	Center Bearing Major Parts			Front Slinger Part #	Rear Slinger Part #	Retainers		Notes
			Bracket Part #	Rubber Cushion Part #	Bearing and Retainer Assembly			Bottom	Top	
A = 1.771 Bearing I.D.      D = 7.620      Bolt Hole/Stud Size = M12 X 1.75TH (nut)										
212145-1X	2.689	2.250	232947	212133X	580932	~	~	~	~	232930 boot can; rubber cushion with canister; nuts attach to bracket
A = 1.968 Bearing I.D.      D = 7.620      Bolt Hole/Stud Size = M12 X 1.75TH (nut)										
212153-1X*	2.780	2.250	232953	212141X	580933	~	~	~	~	232944 boot can; rubber cushion with canister; nuts attach to bracket



**STYLE 24**

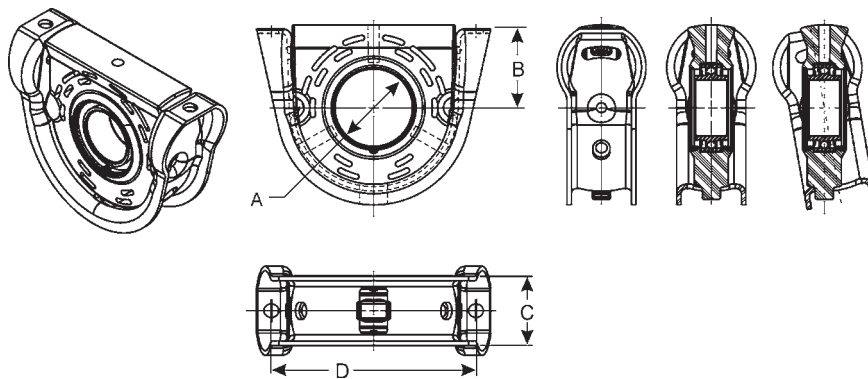
Parts not sold separately—shown for informational purposes only.

Center Bearing Assembly Part #	B Centerline to Mounting Surface	C Bracket Width	Center Bearing Major Parts			Front Slinger Part #	Rear Slinger Part #	Retainers		Notes
			Bracket Part #	Rubber Cushion Part #	Bearing and Retainer Assembly			Bottom	Top	
A = 1.968 Bearing I.D.      D = 7.620      Bolt Hole/Stud Size = M12 X 1.75TH (nut)										
212156-1X	2.780	2.250	232953	230167-1	550788	230166	230166	~	~	212229X consists of 232953 bracket and (2) nuts attach to bracket



**IMPORTANT:** See Safety Information in General Information Section.

\* Part has been discontinued      † Part is available until supply is exhausted      ‡ Not sold separately



**STYLE 25**

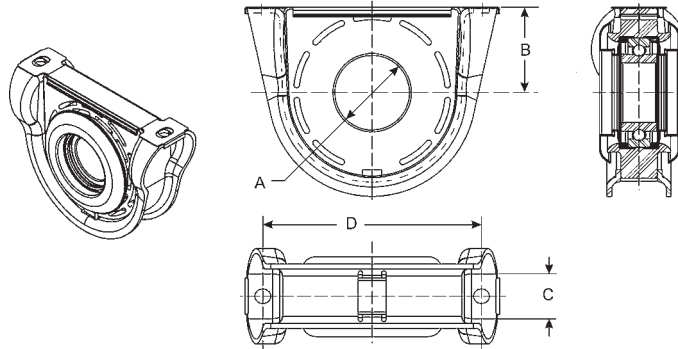
Parts not sold separately—shown for informational purposes only.

Center Bearing Assembly Part #	B Centerline to Mounting Surface	C Bracket Width	Center Bearing Major Parts			Front Slinger Part #	Rear Slinger Part #	Retainers		Notes
			Bracket Part #	Rubber Cushion Part #	Bearing and Retainer Assembly			Bottom	Top	
A = 2.362 Bearing I.D.		D = 8.622		Bolt Hole/Stud Size = 0.618 (H)						
5003323	3.330	2.917	5003324	5003325	5001950	~	~	~	~	Replaces 210661-1X, 210987-1X, 212066-1X, 212129-1X
5003326	3.300	2.917	5003324	5002433	5001950	~	~	~	~	Solid rubber, replaces 210875-1X, 210989-1X
5003328	3.300	2.917	5003627**	5003325	5001950	~	~	~	~	Semi slotted rubber, replaces 212155-1X; **bracket has nuts welded to it
A = 2.756 Bearing I.D.		D = 8.622		Bolt Hole/Stud Size = 0.559 (H)						
5019571‡	2.331	2.917	5003324	5019924	10001778	~	~	~	~	Not sold separately, use 350CB0001X
A = 2.756 Bearing I.D.		D = 8.622		Bolt Hole/Stud Size = 0.618 (H)						
350CB0001X	3.330	2.917	5003324	5019924	10001778	~	~	~	~	



IMPORTANT: See Safety Information in General Information Section.

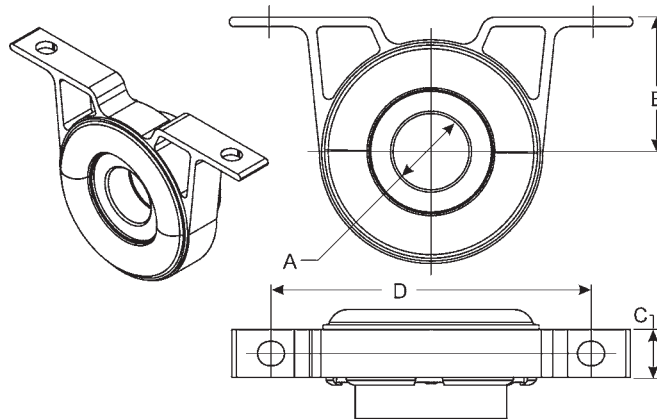
\* Part has been discontinued † Part is available until supply is exhausted ‡ Not sold separately



**STYLE 26**

Parts not sold separately—shown for informational purposes only.

Center Bearing Assembly Part #	B Centerline to Mounting Surface	C Bracket Width	Center Bearing Major Parts			Front Slinger Part #	Rear Slinger Part #	Retainers		Notes
			Bracket Part #	Rubber Cushion Part #	Bearing and Retainer Assembly			Bottom	Top	
A = 2.362 Bearing I.D.		D = 8.620		Bolt Hole/Stud Size = 0.560 (H)						
210661-1X*	3.380	2.530	230750	230749-1	210660-1X	230746	230746	~	8-95-49	210661-1X was replaced by 5003323
210875-1X*	3.380	2.530	230750	231008-1	210660-1X	230746	230746	~	8-95-49	Solid rubber; 210875-1X was replaced by 5003326
210875-1XV	3.380	2.530	~	~	~	~	~	~	~	Solid rubber
210989-1X*	3.380	2.530	230750	231008-1	210660-1X	~	~	~	8-95-49	Solid rubber; 210989-1X was replaced by 5003326
212066-1X*	3.380	2.530	230750	232853	210660-1X	230746	230746	~	8-95-49	212066-1X was replaced by 5003323
25-210661-1X	3.380	2.530	230750	230749-1	210660-1X	230746	230746	~	8-95-49	Spicer Select
25-210875-1X	3.380	2.530	230750	231008-1	210660-1X	230746	230746	~	8-95-49	Spicer Select



**STYLE 27**

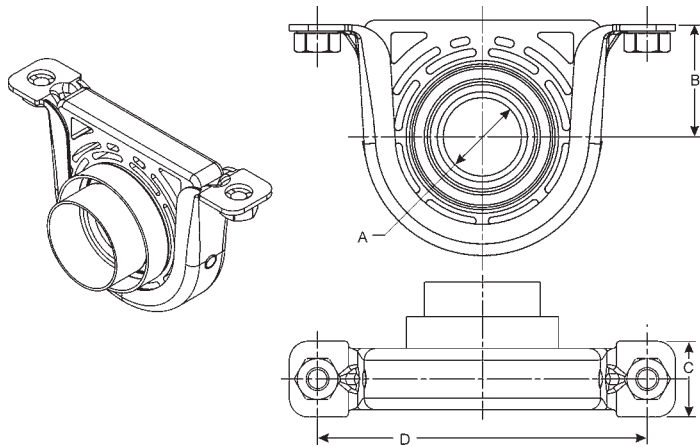
Parts not sold separately—shown for informational purposes only.

Center Bearing Assembly Part #	B Centerline to Mounting Surface	C Bracket Width	Center Bearing Major Parts			Front Slinger Part #	Rear Slinger Part #	Retainers		Notes
			Bracket Part #	Rubber Cushion Part #	Bearing and Retainer Assembly			Bottom	Top	
A = 1.574 Bearing I.D.		D = 6.622		Bolt Hole/Stud Size = 0.559 (H)						
5017405	2.524	0.992	5014400	~	5016002	~	~	~	~	
5009792*	2.748	0.992	5009488	~	580924	~	231000	~	~	5009792 was replaced by 5017407
5017404*	2.748	0.992	5014398	~	5016002-1	~	~	~	~	5017404 was replaced by 5017407
5017407	2.748	0.992	5014398	~	5016002	~	231000	~	~	
5017410	2.524	0.992	5014400	~	5016002	~	~	~	~	Boot can 232817
5017950	2.524	0.992	5014400	~	5016002	~	231000	~	~	
5012704-1X	2.524	0.992	5012692	~	580924	~	231000	~	~	Boot can 232817



**IMPORTANT:** See Safety Information in General Information Section.

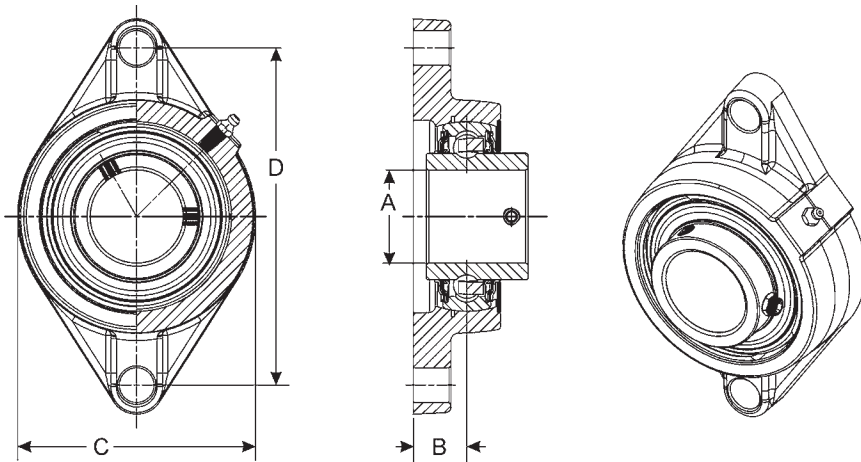
\* Part has been discontinued † Part is available until supply is exhausted ‡ Not sold separately



**STYLE 28**

Parts not sold separately—shown for informational purposes only.

Center Bearing Assembly Part #	B Centerline to Mounting Surface	C Bracket Width	Center Bearing Major Parts			Front Slinger Part #	Rear Slinger Part #	Retainers		Notes
			Bracket Part #	Rubber Cushion Part #	Bearing and Retainer Assembly			Bottom	Top	
A = 1.574 Bearing I.D.      D = 6.620      Bolt Hole/Stud Size = M12 X 1.75TH (nut)										
212144-1X	2.248	1.520	232945	212027X	580924	~	~	~	~	



**STYLE 29**

Parts not sold separately—shown for informational purposes only.

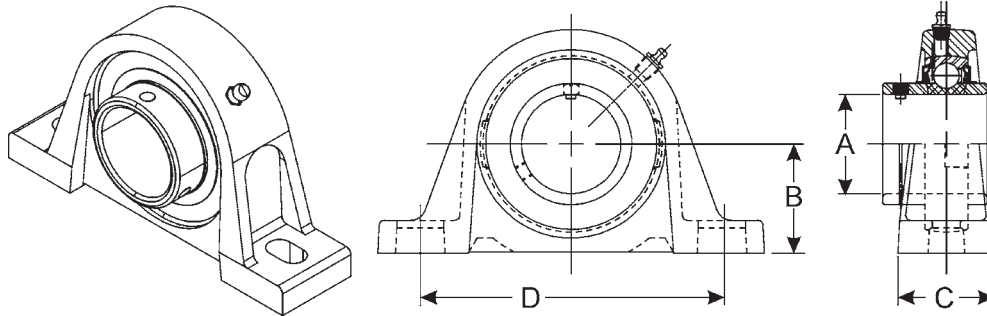
Center Bearing Assembly Part #	B Centerline to Mounting Surface	C Bracket Width	Center Bearing Major Parts			Front Slinger Part #	Rear Slinger Part #	Retainers		Notes
			Bracket Part #	Rubber Cushion Part #	Bearing and Retainer Assembly			Bottom	Top	
A = 2.000 Bearing I.D.      D = 7.250      Bolt Hole/Stud Size = 0.748 (H)										
612824000	1.156	5.000	~	~	~	~	~	~	~	



**IMPORTANT:** See Safety Information in General Information Section.

\* Part has been discontinued    † Part is available until supply is exhausted    ‡ Not sold separately

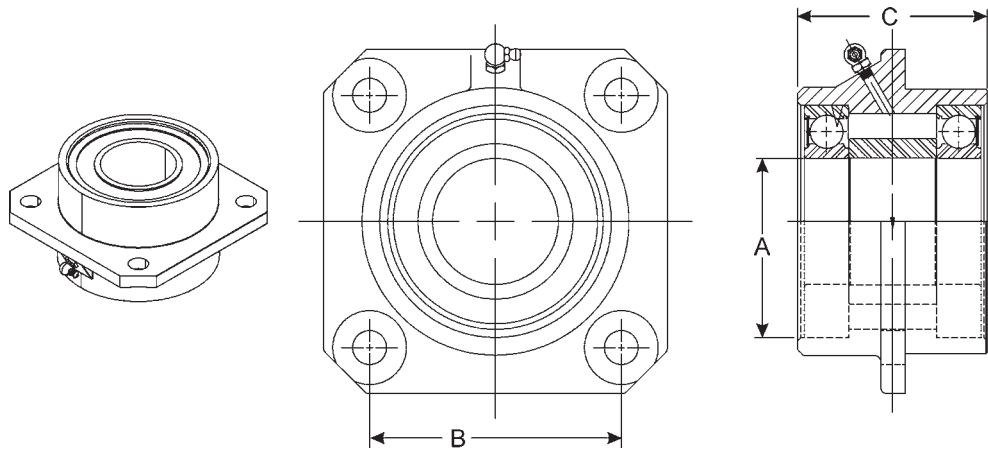




**STYLE 30**

Parts not sold separately—shown for informational purposes only.

Center Bearing Assembly Part #	B Centerline to Mounting Surface	C Bracket Width	Center Bearing Major Parts			Front Slinger Part #	Rear Slinger Part #	Retainers		Notes
			Bracket Part #	Rubber Cushion Part #	Bearing and Retainer Assembly			Bottom	Top	
A = 2.437 Bearing I.D.      D = 7.385      Bolt Hole/Stud Size = 1.160 X 0.690 (H)										
232373	2.688	2.380	~	~	~	~	~	~	~	~



**STYLE 31**

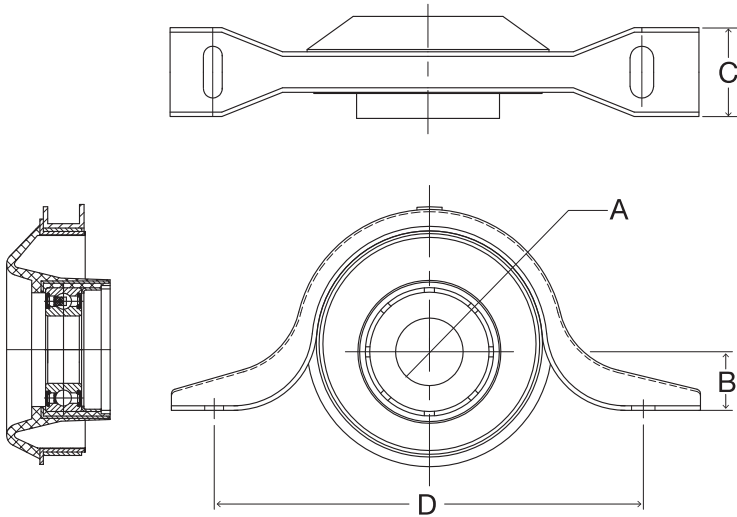
Parts not sold separately—shown for informational purposes only.

Center Bearing Assembly Part #	B Centerline to Mounting Surface	C Bracket Width	Center Bearing Major Parts			Front Slinger Part #	Rear Slinger Part #	Retainers		Notes
			Bracket Part #	Rubber Cushion Part #	Bearing and Retainer Assembly			Bottom	Top	
A = 2.559 Bearing I.D.      D = 5.125      Bolt Hole/Stud Size = 0.689 (H)										
212265X	2.530	3.860	~	~	~	~	~	~	~	~



**IMPORTANT:** See Safety Information in General Information Section.

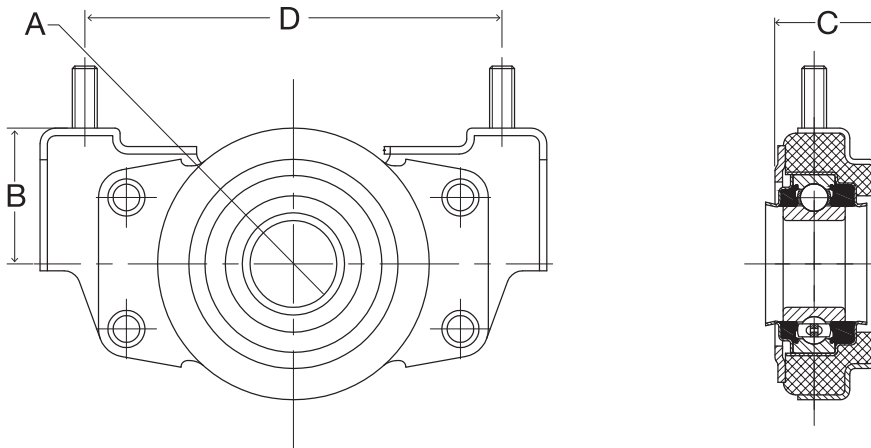
\* Part has been discontinued    † Part is available until supply is exhausted    ‡ Not sold separately



**STYLE 32**

Parts not sold separately—shown for informational purposes only.

Center Bearing Assembly Part #	B Centerline to Mounting Surface	C Bracket Width	Center Bearing Major Parts			Front Slinger Part #	Rear Slinger Part #	Retainers		Notes
			Bracket Part #	Rubber Cushion Part #	Bearing and Retainer Assembly			Bottom	Top	
A = 1.181 Bearing I.D.      D = 7.484      Bolt Hole/Stud Size = 0.905 x 0.355 (H)										
211019-1XV	1.039	1.575	~	~	~	~	~	~	~	~



**STYLE 33**

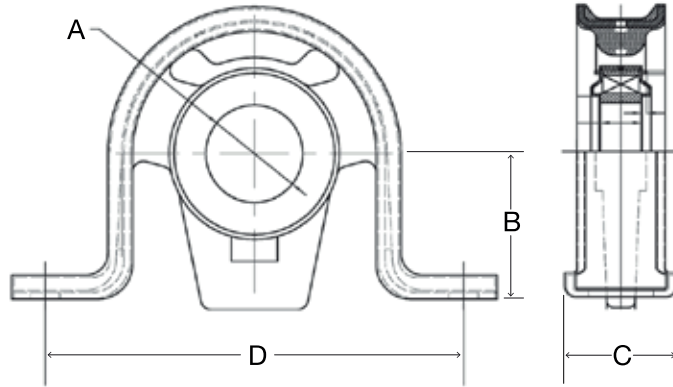
Parts not sold separately—shown for informational purposes only.

Center Bearing Assembly Part #	B Centerline to Mounting Surface	C Bracket Width	Center Bearing Major Parts			Front Slinger Part #	Rear Slinger Part #	Retainers		Notes
			Bracket Part #	Rubber Cushion Part #	Bearing and Retainer Assembly			Bottom	Top	
A = 1.378 Bearing I.D.      D = 6.622      Bolt Hole/Stud Size = M10 x 1.5 (stud)										
211015-1XV	2.200	1.457	~	~	~	~	~	~	~	~



**IMPORTANT:** See Safety Information in General Information Section.

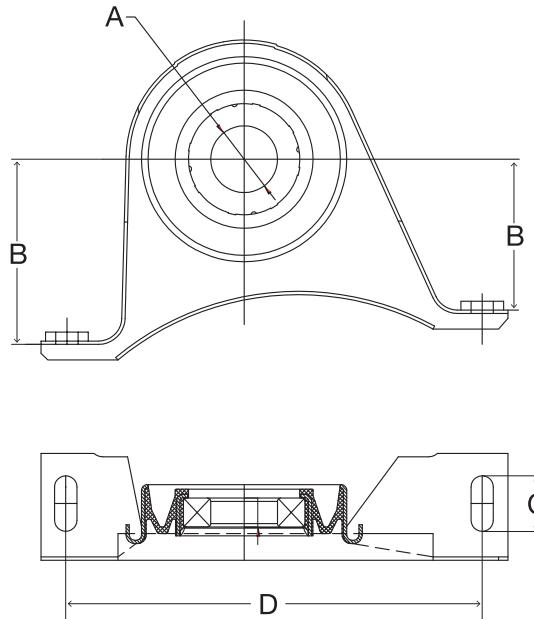
\* Part has been discontinued    † Part is available until supply is exhausted    ‡ Not sold separately



**STYLE 34**

Parts not sold separately—shown for informational purposes only.

Center Bearing Assembly Part #	B Centerline to Mounting Surface	C Bracket Width	Center Bearing Major Parts			Front Slinger Part #	Rear Slinger Part #	Retainers		Notes
			Bracket Part #	Rubber Cushion Part #	Bearing and Retainer Assembly			Bottom	Top	
A = 1.772 Bearing I.D.      D = 6.638      Bolt Hole/Stud Size = 0.528 x 1.190 (H)										
211017-1XV	2.638	2.038	~	~	~	~	~	~	~	Has rear slinger



**STYLE 35**

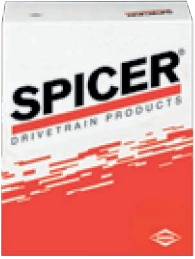
Parts not sold separately—shown for informational purposes only.

Center Bearing Assembly Part #	B Centerline to Mounting Surface	C Bracket Width	Center Bearing Major Parts			Front Slinger Part #	Rear Slinger Part #	Retainers		Notes
			Bracket Part #	Rubber Cushion Part #	Bearing and Retainer Assembly			Bottom	Top	
A = 1.181 Bearing I.D.      D = 7.346      Bolt Hole/Stud Size = 0.388 x 0.984 (H)										
211020-1XV	3.276/2.587	1.898	~	~	~	~	~	~	~	



**IMPORTANT:** See Safety Information in General Information Section.

\* Part has been discontinued    † Part is available until supply is exhausted    ‡ Not sold separately



**Trust Spicer® lubricant to protect your universal joint and slip assemblies.** Lack of proper lubrication is the most common cause of premature failure in u-joint kits and slip assemblies. Properly sized Spicer® u-joints that are adequately lubricated at recommended intervals will normally meet or exceed fleet operational requirements. Inadequate lube cycles, and failure to lubricate the u-joints and slip splines properly, will not only cause premature u-joint kit failures, but may lead to other problems, such as slip spline seizures. Relubrication at recommended intervals (**see Chart 5**) flushes abrasive contaminants from the u-joints and slip components, helping to optimize the life of the driveshaft.

**There Is No Substitute for Spicer Products – Including Spicer® Lubrication.**

Spicer products are manufactured to original equipment specifications, and Spicer ultra-premium synthetic grease is specifically engineered to complement Spicer® universal joints. You can rely on Spicer products to deliver the premium performance that keeps your vehicle on the road.

Dana recommends lubrication with Spicer ultra-premium synthetic grease or Chevron Ultra-Duty EP-2 or a compatible lithium-based grease meeting N.L.G.I. Grade 2 specifications as well as ASTM D4950 LB specifications. Spicer ultra-premium synthetic grease is compatible with all NLGI-2 greases, and delivers professional-grade quality, even at high temperatures. Spicer ultra-premium synthetic grease is available in 10-packs of 14-oz. tubes (SPL1051), and 1-gal. pails (SPL1052).



**⚠ WARNING:** Inadequate lubrication can cause driveline failure, which can result in separation of the driveline from the vehicle. A separated driveline can result in serious injury or death.

In order to minimize the potential for driveline failure, including driveline separation, you must:

1. Carefully review the lubrication specifications in this brochure and lube manual located at [www.SpicerParts.com/literature/library](http://www.SpicerParts.com/literature/library).
2. Make sure you use only approved lubricants. We recommend Spicer® ultra-premium synthetic grease.
3. Make sure you lubricate at recommended intervals.



Visit [www.SpicerParts.com/videos](http://www.SpicerParts.com/videos) to see how-to videos on proper u-joint kit lubrication procedures.

## U-Joint Kit Lube Procedures

**⚠ WARNING:** To prevent serious eye injury, always wear safety glasses when lubricating or servicing a driveshaft. Failure to wear safety glasses could result in serious injury and/or partial or permanent vision loss.

Spicer® greasable u-joint kits contain only enough grease to provide needle bearing protection during storage. Prior to installing a new u-joint into the driveshaft, you must:

1. Remove each bearing assembly and pack each journal cross lube reservoir with grease.
2. Wipe a liberal coating of the same grease into each bearing assembly, filling all of the cavities between the needle rollers.
3. Apply a liberal coating of grease into the bottom of each bearing cup.

After installation into a driveshaft, and prior to being placed into service, you must (with the exception of Service-Free u-joints) lubricate each u-joint kit in accordance with the following recommendations:

- Apply grease gun pressure to each u-joint until fresh grease appears at each bearing seal. This purging action not only assures that every bearing has been properly greased, but flushes out any moisture and abrasive contaminants that may have worked their way past the seals.

**IMPORTANT:** The premium seal design of Spicer u-joints may, on occasion, prevent one or more bearings from purging. If that should ever happen, try one of these purging procedures to relieve seal tension:

1. Push up on the driveshaft, from the side opposite the bearing that will not purge, while applying gun pressure to the lube fitting. This might create a slightly greater clearance around the bearing's sealing surface and may allow the bearing to purge (**see Photo 1**).
2. Using a brass hammer and wearing safety glasses, sharply strike lug ear of the inboard yoke once to firmly seat the bearing against the retainer (retainer may be a snap ring, bearing plate or spring tab). Striking the yoke ear may relieve tension across the span. Rotate shaft 180 degrees and repeat procedure on opposite lug ear. Apply grease gun pressure. If the problem still persists move on to steps 3 and 4.
3. Depending on the type of yoke design in your driveshaft, release pressure on the affected bearing(s) as follows:

**A.** On full round Spicer® 10 Series™ closed hole yokes with self-locking bolts and bearing plates (**see Figures A and B**):

- Release seal pressure by loosening the bolts that retain the non-purging bearing cap(s) in the yoke ear(s). Apply grease gun pressure to purge the bearing or bearings.
- If loosening the bolts does not allow purging, remove the bearing(s) to determine the cause of blockage. (Refer to Bolt Installation Procedures section covering the reinstallation of any loosened or removed bolts.)



Photo 1

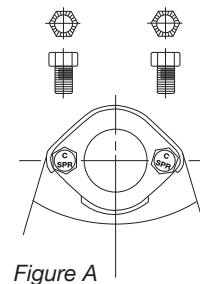


Figure A

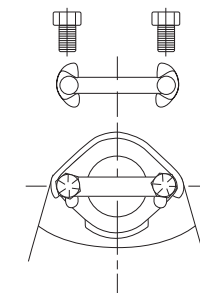


Figure B

## U-Joint Kit Lube Procedures (continued)

**B.** On full round Spicer Life Series® or SPL® closed hole style yokes with inboard bearings that are retained by spring tabs, you should never loosen the spring tabs to release seal pressure on the bearing seals (**see Figure C**). SPL® u-joint kits with bearings that will not purge must be removed and replaced with a new kit.

- Refer to **Chart 1** for bolt torque for spring tab bolts.

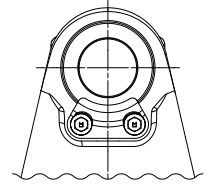


Figure C

### Spring Tab Bolt Torques - Chart 1

SERIES	SPRING TAB KIT P/N	BOLT P/N	THREAD SIZE	BOLT TORQUE (Lb. Ft.)	BOLT TORQUE (NM)
SPL140/SPL170/SPL250	211941X	8-73-114M	M8X1.00-6G	28	38

**NOTE:** If you must remove the u-joint kit from the driveshaft yoke and replace it with a new kit, refer to SPL® Service Manual No. DSSM 0100 for u-joint kit installation instructions. Service manual DSSM 0100 can be found at: [www.SpicerParts.com/literature/library](http://www.SpicerParts.com/literature/library), keyword search: DSSM 0100.

**C.** For light-duty Spicer® 10 series™ and SPL350 series using full round yokes with snap rings on the inboard bearings, the u-joint kit must be removed from the driveshaft and replaced. Releasing seal pressure cannot be done safely without removal of the u-joint kit.

**CAUTION:** ALWAYS replace any loosened or removed bolts with a NEW BOLT. Refer to Bolt Installation Procedures section for instructions.

**4.** On half round type yokes with bearing retainers or bearing straps:

- Release pressure by removing the retainer or strap and unhooking the end of the driveshaft from the yoke ears.

**CAUTION:** Driveshafts are extremely heavy. Always use a restraining strap to prevent them from falling out of the vehicle.

- With the driveshaft hanging on the restraining strap, install a C-clamp around the non-purging bearings and apply grease gun pressure until they purge. Loosen the C-clamp as necessary to force purging. If the bearing(s) still fail to purge, remove the u-joint kit from the driveshaft and replace it.

**IMPORTANT:** Vehicles in service MUST be re-lubed at specific intervals. Refer to the lube interval chart on the back of this brochure for recommendations regarding lube cycles vs. specific applications.

New Spicer® Service-Free (SF) light-duty and medium-duty u-joints are shipped pre-lubed, with the bearings installed on the cross trunnions. It is not necessary to grease them after installation.

Spicer Life Series® (also referred to as SPL®) heavy-duty service-free u-joint kits (SPL 170, SPL250, SPL350 series part numbers with a SF suffix - i.e. SPL250-SF3X) are supplied with a predetermined amount of Spicer synthetic grease, which must be added to the journal cross and bearing caps prior to assembly into the driveshaft yokes.

**PROCEDURE:** Fill each journal cross with grease. Wipe the remaining grease into each bearing cap, filling the cavities between the needle bearings. Wipe a liberal amount of grease on the bottom of each bearing.

**CAUTION:** When you remove the SF bearings from the cross trunnions, some grease may be sucked out of the cross reservoir. ALWAYS make sure you reinstall the same bearing back onto the same cross trunnion when installing the u-joint into the driveshaft yoke.

## Bolt Installation Procedures

(Refer to **Charts 1, 2, 3, and 4** for kit numbers, bolt part numbers, and recommended torques.)

**CAUTION:** If you have removed or loosened any bearing cap fasteners, ALWAYS replace them with new fasteners and torque them to the recommended torque shown on **Charts 2, 3, and 4**. If your 10 Series™ retention method was a stamped bearing strap, ALWAYS replace the used bearing strap with a new bearing strap. (**NOTE:** Bearing retainers used with Spicer Life Series® or SPL® driveshafts can be reused if they are not damaged. Refer to **Chart 2** and **Figure E** for recommendations on the proper tightening sequence for bearing strap and retainer bolts.)

### Bearing Strap and Bearing Retainer Bolt Torques - Chart 2

SERIES	STRAP/RETAINER KIT P/N	BOLT P/N	THREAD SIZE	BOLT TORQUE (Lb. Ft.)	BOLT TORQUE (NM)
1310,1330	2-70-18X	231401	250-28	15	20
1350,1410	3-70-28X	231142	.312-24	32	43
1480,1550, SPL55,SPL70	3-70-38X	6-73-412	.375-24	52	70
1610	5-70-28X	6-73-412	.375-24	52	70
1710,1760, 1810	6.5-70-18X	8-73-316	.500-20	125	170
1710,1760, 1810	212214X*	8-73-316	.500-20	125	170
SPL®100	90-70-28X	6-73-412	.375-24	52	70
SPL®140	140-70-18X	5007417	M12x1.25-6g	115	156
SPL®170	170-70-18X	5007417	M12x1.25-6g	115	156
SPL®250	250-70-18X	5007417	M12x1.25-6g	115	156
SPL®350	350-70-18X	5019836	M14x1.25-6g	188	255

\* Retainer kit with cast retainer

Spicer® 10 Series™ and SPL® driveshafts are usually retained in the vehicle with either bearing strap kits or bearing retainer kits that utilize self-locking bolts, which have a lock patch (see **Figure D** and **Chart 2**).

On some Spicer® 10 Series™ u-joint kits, the bearing assemblies use a bearing plate welded to the bearing assembly and bolted to the yoke ear with self-locking bolts that have a serrated head and a lock patch (see **Figure A**). Serrated head and a lock patch installation procedure: Loosely install the NEW bolts, and then tighten them to the torque shown in **Chart 3** (see **Warning**).

### Serrated Head Style Bolt Torques - Chart 3

SERIES	BOLT P/N	THREAD SIZE	BOLT TORQUE (Lb. Ft.)	BOLT TORQUE (NM)
1610	5-73-709	.312-24	30	41
1710	6-73-209	.375-24	43	58
1760	6-73-209	.375-24	43	58
1810	6-73-209	.375-24	43	58
1880	7-73-315	.438-20	65	88

For maximum performance, the torque specifications and sequences should be followed during the original installation and re-installation of components. Dana recommends using new hardware during any service procedure.

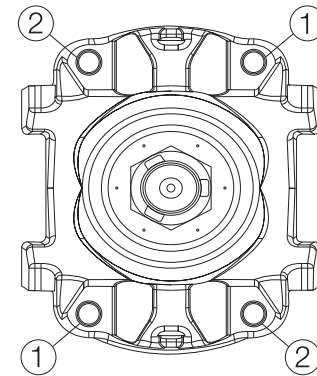


Figure E

Torque bolts in a counter clockwise sequence starting with either position 1.

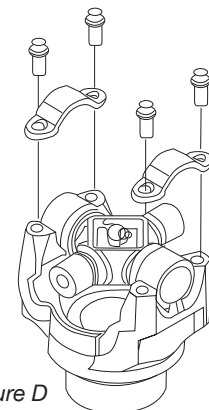


Figure D

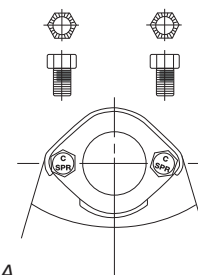


Figure A

## Bolt Installation Procedures (continued)

Some are retained with self-locking bolts that have a non-serrated head and lock patch and use a lock strap (see **Figure B**). Non-Serrated head with lock patch and lock strap installation procedure: Loosely install the NEW bolts, and then tighten them to the torque shown in **Chart 4**. After tightening to the proper torque, bend the tabs of the lock straps up against the bolt heads to lock the bolts in place (see **Warning**).

**Non-Serrated Head Style Bolt Torques - Chart 4**

SERIES	BOLT P/N	LOCK STRAP PART #	THREAD SIZE	BOLT TORQUE (Lb. Ft.)	BOLT TORQUE (NM)
1610	5-73-109	98-741	.312-24	20	27
1710	6-73-109	230323	.375-24	36	49
1760	6-73-109	230323	.375-24	36	49
1800	6-73-109	98-743	.375-24	36	49
1810	6-73-109	230323	.375-24	36	49
1880	7-73-115	231009	.438-20	58	79

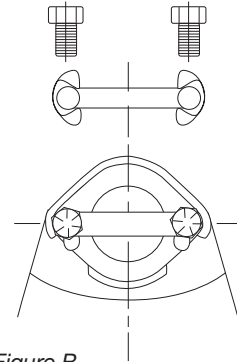


Figure B

Refer to Spicer Driveshaft Service Manual (DSSM-3264 or newer) for additional installation instructions.

**⚠ WARNING:** Failure to replace self-locking and/or serrated head bolts and/or failure to properly torque any retaining bolt, or failure to properly bend the lock tabs on lock strap-style installations could cause the driveshaft to loosen and separate from the vehicle or machine, which could cause loss of control and result in personal injury or death.

## Additional Lubrication Procedures

### Spicer 10 Series™ Slip Assemblies

- Re-lube slip assemblies at the same intervals, and with the same lube, as u-joint kits.
- Apply grease gun pressure until fresh grease appears at the pressure relief hole in the slip yoke plug (see **Photo 2**).
- Cover the hole in the plug with your finger and continue applying grease gun pressure until fresh grease appears at the slip yoke seal (see **Photo 3**).
- **NOTE:** In cold winter months, new grease in a slip assembly can stiffen and cause the slip yoke plug to pop out of the slip yoke bore.
  - Activate the slip spline by driving the vehicle enough to displace a little grease out of the pressure relief hole.
  - Failure to complete this recommendation can lead to premature failure of the slip assembly if the slip yoke plug is lost.

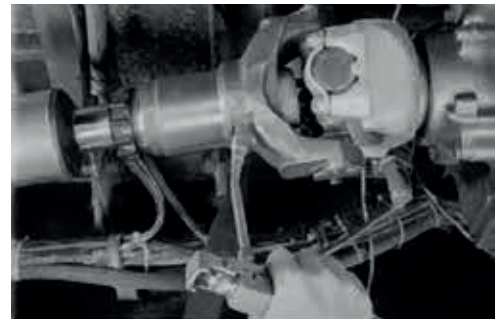


Photo 2



Photo 3



## Additional Lubrication Procedures (continued)

### SPL® Slip Assemblies (with boots):

- SPL® slip assemblies are lubed for life and do not require additional lube.
- Any damage to the boot, or any loss or damage to any of the boot clamps, will require the replacement of the entire boot kit assembly. Refer to SPL® service manual DSSM 0100 for instructions on cleaning and re-greasing the slip assembly and installation of the new boot.
- SPL® boot kits come with a sealed package of grease containing the 4 ounces of Chevron Ultra-Duty EP-2 lubricant. No additional grease needs to be added.



### Center Bearing Assemblies:

- Lubrication of the bearing itself takes place during its manufacturing process and no attempt should be made to add or change the grease within the bearing itself.

### Spicer® XC™ Center Bearings:

- Driveshafts with Spicer® XC™ center bearing assemblies do not require any lubrication within the bearing or to the bearing outer surface due to the maintenance-free double lip seal within the bearing itself. Please refer to bulletin JOI-TEC-56 for installation procedures which can be found at [www.SpicerParts.com/literature](http://www.SpicerParts.com/literature).



**WARNING:** Rotating shafts can be dangerous. You can snag clothes, skin, hair, hands, etc. This can cause injury or death. Do not go under the vehicle when the engine is running.

## Spicer® Driveshaft Lubrication Intervals - Chart 5

Series	City	On-Highway	Linehaul	On/Off-Highway
<b>Spicer® 10 Series™</b> (1310 thru 1810) Slip members also require lubrication.	5,000/8,000 mi. (8,000/12,800 km) or 3 months (whichever comes first)	10,000/15,000 mi. (16,000/24,000 km) or 3 months (whichever comes first)	10,000/15,000 mi. (16,000/24,000 km) or 3 months (whichever comes first)	5,000/8,000 mi. (8,000/12,800 km) or 3 months (whichever comes first)
<b>Spicer Life Series®: Light-Duty</b> (1310 thru 1410) Slip members are booted and permanently lubricated. Always inspect boots and clamps at every lube interval.	15,000 mi. (24,000 km) or 6 months (whichever comes first)	15,000 mi. (24,000 km) or 6 months (whichever comes first)	15,000 mi. (24,000 km) or 6 months (whichever comes first)	15,000 mi. (24,000 km) or 6 months (whichever comes first)
<b>Spicer Life Series®: Medium-Duty*</b> (SPL55, SPL70 & SPL100) Slip members are booted and permanently lubricated. Always inspect boots and clamps at every lube interval.	25,000 mi. (40,000 km) or 6 months (whichever comes first)	25,000 mi. (40,000 km) or 6 months (whichever comes first)	25,000 mi. (40,000 km) or 6 months (whichever comes first)	25,000 mi. (40,000 km) or 6 months (whichever comes first)
<b>Spicer Life Series®: (OE Production SPICER LIFE XL Driveshafts ONLY) (SPL170, SPL250, SPL350 ONLY)</b> <b>FIRST LUBE CYCLE = 350,000 miles or 3 Years (whichever comes first).</b> Slip members are booted and permanently lubricated. Always inspect boots and clamps at every lube interval.				
<b>Spicer Life Series®: Heavy-Duty*</b> (SPL140 - All Lube Intervals) (SPL170, SPL250, SPL350 - All Lube Intervals after the First Lube cycle listed above) Slip members are booted and permanently lubricated. Always inspect boots and clamps at every lube interval.	25,000 mi. (40,000 km) or 6 months (whichever comes first)	100,000 mi. (160,000 km) or 6 months (whichever comes first)	100,000 mi. (160,000 km) or 6 months (whichever comes first)	25,000 mi. (40,000 km) or 6 months (whichever comes first)

## Spicer Life® SF™ Lubrication Cycle

**Spicer Life SF™: Service-Free**  
 (Spicer u-joint part numbers with a "SF" in the suffix... i.e. SPL250-SF3X)

Permanently lubricated for the life of the product.

\* We require relubrication with Spicer® ultra-premium synthetic grease or Chevron Ultra-Duty EP-2 or compatible lithium-based grease meeting N.L.G.I. Grade 2 specifications as well as ASTM D4950 "LB" specifications.



**APPLICATION DEFINITIONS:** **City** is defined as all applications that require a minimum of 90% of operation time within the city limits. **On-Highway** is defined as all applications requiring less than 10% of operating time on gravel dirt or unpaved roads. **Linehaul** is defined as 100% of operation time on smooth concrete or asphalt. **On/Off-Highway** is defined as all applications operating primarily on paved roads, but requiring more than 10% of operating time on gravel, dirt, or unpaved roads.

**Visit our website at [www.SpicerParts.com/videos](http://www.SpicerParts.com/videos) to see how-to videos on proper u-joint kit lubrication procedures.**

Vehicle Type	Driveshaft Series	Spicer® Service Kit (Greaseable unless noted)	Spicer Life® OE Kit (Greaseable)	Spicer Life® OE Kit (Non-Greaseable)
<b>Light &amp; Medium Vehicles</b>	1210	5-443X	-	-
	1310	5-153X	5-1310-1X**	5-1310X
	1310 aluminum	-	-	5-3613X†
	1310/7260*	-	-	5-788X
	1310 (Wheel Joint)	-	-	5-760X
	1310SPEC	5-1201X	-	5-7439X
	1330	5-213X	5-1330-1X**	5-1330X
	1330 aluminum	-	-	5-3614X†
	1330SPEC	5-1204X	-	5-7438X
	1330/S44*	5-212X	-	5-793X
	1330/7290*	-	-	5-7437X
	1350	5-178X	5-1350-1X**	5-1350X
	1350 (Wheel Joint)*	-	-	5-7166X
	1350/SPL30 aluminum	-	-	5-3615X†
	1350 x S44*	5-3205X	-	-
	1355 AAM*	5-3208X***	-	-
	1410	5-160X	5-1410-1X**	5-1410X
	1410 aluminum	-	-	5-3616X†
	1415 AAM*	5-3207X***	-	-
	1480/SPL55	5-188X	SPL55-1X	SPL55X
	1480/SPL55 (Wheel Joint)*	-	SPL55-4X	SPL55-3X
	1485 AAM*	5-3206X***	-	-
	1485 AAM (Wheel Joint)*	-	-	5006813
	1550/SPL70	5-155X	SPL70-1X	SPL70X
	SPL70 (Wheel Joint)*	-	SPL70-4X	-
	7260*	5-1306X	-	5-789X
	7290*	5-1309X	-	5-811X
	S44*	5-3147X	-	5-795X
<b>Commercial Vehicles</b>	SPL90/SPL100	-	SPL100-1X	-
	SPL140	-	SPL140X	-
	SPL170	-	SPL170-4X	SPL170-SF4X
	SPL250	-	SPL250-3X	SPL250-SF3X
	SPL350	-	SPL350X	SPL350SFX
	1610 (Full Round)	5-279X	-	-
	1610 (Half Round)	5-674X	-	-
	1650	5-165X	-	-
	1710 (Full Round)	5-280X	-	-
	1710 (Half Round)	5-675X	-	-
	1760 (Full Round)	5-407X	-	-
	1760 (Half Round)	5-677X	-	-
	1800 (Full Round)	5-124X	-	-
	1810 (Full Round)	5-281X	-	-
	1810 (Half Round)	5-676X	-	-
	1880 (Full Round)	5-308X	-	-

\* Wheel joint or non-Spicer series - will not be on yoke ruler. Identify u-joint kit using Spicer K-350 Catalog. \*\* Zerk in Cap \*\*\*Non-Greaseable  
† Used in aluminum driveshafts. U-joint has coated caps.

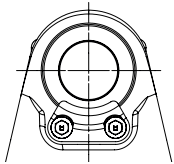
## BEARING STRAP



**!** WARNING: Always replace all attaching hardware.

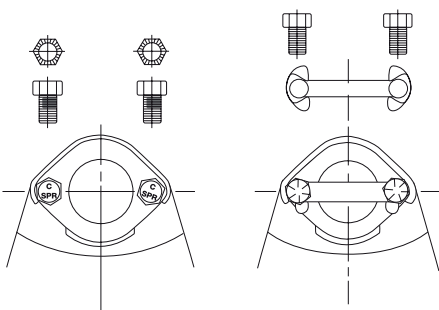
Series	Strap Kit Assy	Attaching Bolt Part #	Recommended Bolt Torque (Lb.Ft.)	Recommended Bolt Torque (NM)
1210	2-70-18X	231401	15	20
1310/SPL22	2-70-18X	231401	15	20
1330/SPL25	2-70-18X	231401	15	20
3R/S44	2-70-48X	Not Sold Separate	30-35	41-47
7290	2-70-58X	Not Sold Separate	13-18	18-24
7260	2-70-68X	Not Sold Separate	13-18	18-24
1350/SPL30	3-70-28X	231142	32	43
1350SPEC**	3-70-48X	231402	25-30	34-41
1410/SPL36	3-70-28X	231142	32	43
1350/1410 (GM)	3-70-58X	Not Sold Separate	30-35	41-47
1485 (GM)	3-70-68X	Not Sold Separate	30-35	41-47
1480/SPL55	3-70-38X	6-73-412	52	70
1550/SPL70	3-70-38X	6-73-412	52	70
SPL90	90-70-28X	6-73-412	52	70
1610	5-70-28X	6-73-412	52	70
1710	6.5-70-18X	8-73-316	125	170
1710	212214X†	8-73-316	125	170
1760	6.5-70-18X	8-73-316	125	170
1760	212214X†	8-73-316	125	170
1810	6.5-70-18X	8-73-316	125	170
1810	212214X†	8-73-316	125	170
SPL140	140-70-18X	5007417	115	156
SPL170	170-70-18X	5007417	115	156
SPL250	250-70-18X	5007417	115	156
SPL350	350-70-18X	5019836	188	255

## SPL SPRING TAB



Series	Spring Tab Kit	Attaching Bolt Part #	Recommended Bolt Torque (Lb.Ft.)	Recommended Bolt Torque (NM)
SPL140	211941X	8-73-114M	28	38
SPL170	211941X	8-73-114M	28	38
SPL250	211941X	8-73-114M	28	38

## BEARING PLATE



Series	Bolt Part #	Lockstrap Part #	Recommended Bolt Torque (Lb.Ft.)	Recommended Bolt Torque (NM)
1610	5-73-709*	N.A.	30	41
1710	6-73-209*	N.A.	43	58
1760	6-73-209*	N.A.	43	58
1810	6-73-209*	N.A.	43	58
1880	7-73-315*	N.A.	65	88
1610	5-73-109	98-741	20	27
1710	6-73-109	230323	36	27
1760	6-73-109	230323	36	27
1800	6-73-109	98-743	36	27
1810	6-73-109	230323	36	27
1880	7-73-115	231009	58	79

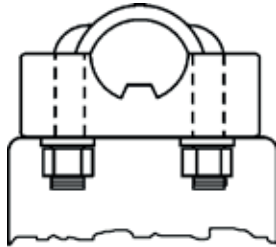
\* Bolts contain serrations under bolt head with lock patch on threads

\*\* Strap kit 1350 series "Special" for Corvette with metric bolts (3-70-48X (torque 25 -30 Lbs Ft / 34-41 Nm) also fits some Dodge Viper

† Kit has "cast retainer" style strap

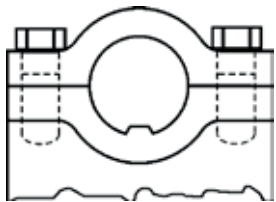
‡ For reference only; these driveline series are not serviced by Dana Aftermarket Group

## U-BOLT



Series	U-Bolt Assy	Recommended Bolt Torque (Lb.Ft.)	Recommended Bolt Torque (NM)
1310/SPL22	2-94-28X	14-17	19-23
1330/SPL25	2-94-28X	14-17	19-23
1350/SPL30	3-94-18X	20-24	17-33
1410/SPL36	3-94-18X	20-24	17-33
1480/SPL55	3-94-28X	32-37	43-50
1550/SPL70	3-94-28X	32-37	43-50

## CAP AND BOLT



Series	Cap and Bolt Assy	Recommended Bolt Torque (Lb.Ft.)	Recommended Bolt Torque (NM)
1650‡	5-70-18X	77-103	104-140
1850‡	8-70-18X	110-147	149-199
1850‡	8-70-18X	110-147	149-199
1910‡	Not Sold Separate	110-147	149-199
1950‡	9-70-18X	271-362	367-491
2010‡	Not Sold Separate	102-118	138-160
2050‡	9-70-28X	744-844	1009-1144
2110‡	Not Sold Separate	171-197	232-267
2150‡	9-70-38X	744-844	1008-1144
2210‡	Not Sold Separate	260-298	253-404

\* Bolts contain serrations under bolt head with lock patch on threads

\*\* Strap kit 1350 series "Special" for Corvette with metric bolts (3-70-48X (torque 25 -30 Lbs Ft / 34-41 Nm) also fits some Dodge Viper

† Kit has "cast retainer" style strap

‡ For reference only; these driveline series are not serviced by Dana Aftermarket Group

**LUBE FITTINGS**



Style 1



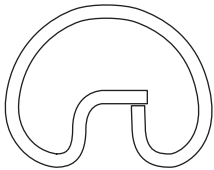
Style 2



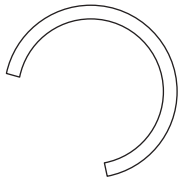
Style 3

Style	Thread Size	Hex	Overall Length	Spicer Part #	Notes
1	0.125-27NPT	0.438	0.660	500168-2	
1	0.250-28	0.312	0.540	500174-1	
1	0.250-28	0.312	0.680	500174-2	
2	0.250-28	0.312	0.406	231209	
2	#10-32		0.344	230977	Installs w/ screwdriver
3	0.125-27NPTF	0.500	0.843	232830	Use pliers to tighten
3	0.250-28	0.312	0.406	500175-2	65° fitting
3	M6X1	0.276	0.355	5001182	Thread forming thread
1	M8X1-6h	0.433	1.014	052133703	45° fitting
1	M10X1-6h	0.433	2.315	052242703	
3	M10X1-6h	0.433	0.886	052261703	
1	M6X1-6h	0.276	0.532	052702703	
1	M8X1-6h	0.354	0.669	052703703	
1	M10X1-6h	0.433	0.610	052728703	
1	M6X1-6h	0.433	1.024	052802703	45° fitting
1	M10X1-6h	0.433	1.024	052819703	45° fitting
2	M8X1-6h	0.157	0.315	815060005	Hex socket plug
1	M10X1-6h	0.433	0.799	816300008	90° fitting

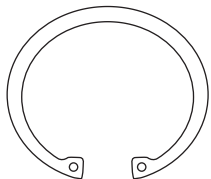
**SNAP RINGS**



Style 1



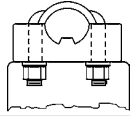
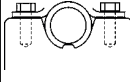


Style 2



Style 3

Style	Fits Bearing Diameter	Thick (+ or - 0.0005)	Color	Spicer Part #	Notes
1	0.938	0.058	NONE	1-7-29	
1	1.062	0.055	GREEN	2-7-469	
1	1.062	0.057	PURPLE	2-7-329†	
1	1.062	0.058	NONE	2-7-4	
1	1.062	0.059	COPPER	2-7-29	
1	1.062	0.060	SILVER	2-7-49	
1	1.062	0.063	YELLOW	2-7-449	
1	1.062	0.065	BLUE	2-7-459	
1	1.188	0.058	NONE	3-7-39	
1	1.188	0.059	BLACK	3-7-229	Coated for use in aluminum yokes
1	1.188	0.059	COPPER	3-7-4	
1	1.188	0.061	WHITE	3-7-49	
1	1.188	0.064	PINK	5011183	
1	1.375	0.058	NONE	3-7-89	
1	1.375	0.060	COPPER	3-7-109	
1	1.375	0.062	YELLOW	4-7-69	
2	0.938	0.058	NONE	10-7-29	
2	1.062	0.058	NONE	2-7-99	Spec for use w/ wheel jt.
2	1.062	0.060	NONE	2-7-299	
2	1.102	0.060	COPPER	2-7-369	
2	1.188	0.058	NONE	3-7-99	
2	1.375	0.060	NONE	3-7-129	
3	2.559	0.108	NONE	350-7-10018754	
1	1.623	0.094	COPPER	5-7-29-3	
1	1.623	0.095	SILVER	5-7-29-4	

† Part is available until supply is exhausted

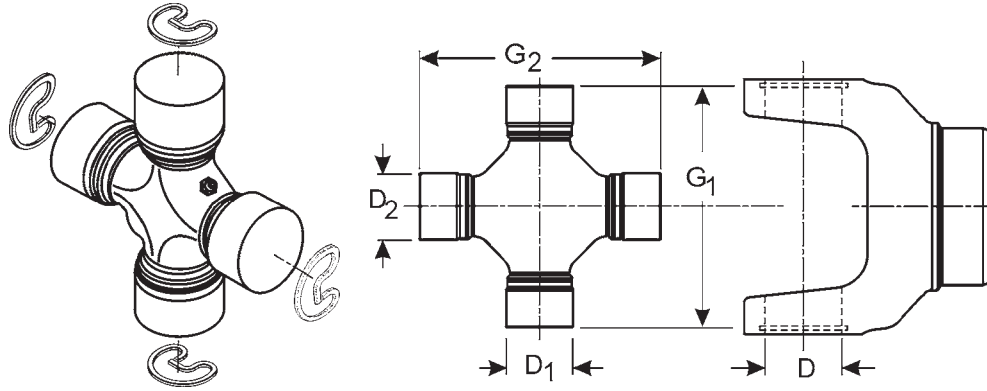
Spicer Part Number	Original Equipment		Bearing Diameter	Spicer Part Number			
	Mfg.	Series		U-Bolt 	Strap Kit 	Outside Snap Ring 	Inside Snap Ring 
5-101X	Spicer	1110	.938"	-	-	1-7-29	-
5-103X	Spicer	1000SG	.938"	-	-	-	10-7-29
5-105X	Spicer	1100/1110	1.000"	-	-	-	230093
5-111X	Spicer	1100	.938"	-	-	1-7-29	-
5-129X	Spicer	1240	1.126"	-	-	2-7-149	-
5-134X	Spicer	1310/1330	1.063"	2-94-28X	2-70-18X	2-7-29	-
5-153X	Spicer	1310	1.063"	2-94-28X	2-70-18X	2-7-29	-
5-155X	Spicer	1550	1.375"	3-94-28X	3-70-38X	3-7-109	-
5-160X	Spicer	1410	1.188"	3-94-18X	3-70-28X	3-7-38	-
5-170X	Spicer	1000	.938"	-	-	-	10-7-29
5-178X	Spicer	1350	1.188"	3-94-18X	3-70-28X	3-7-38	-
5-188X	Spicer	1480	1.375"	3-94-28X	3-70-38X	3-7-89	-
5-200X	Spicer	1280	1.063"	2-94-28X	2-70-18X	2-7-29	-
5-212X	Mechanics / Spicer	3RL/1330	1.063" x 1.125"	-	2-70-18X	2-7-29	2-7-299
5-213X	Spicer	1330	1.063"	2-94-28X	2-70-18X	2-7-29	-
5-260X	Spicer	1310WJ	1.063"	-	-	-	2-7-99
5-297X	Spicer	1310WJ	1.188"	-	-	-	3-7-99
5-332X	Spicer	1480WJ	1.375"	-	-	-	3-7-129
5-350X	Spicer	1310	1.063"	2-94-28X	-	-	2-7-99
5-353X	Spicer / Detroit	1310/7260	1.063" X 1.078"	-	-	2-7-29	2-7-99
5-433-1X	Spicer	1310	1.063"	2-94-28X	-	2-7-29	-
5-443X	Spicer	1210	1.063"	2-94-28X	2-70-18X	2-7-29	-
5-541X	Mechanics / Spicer	3RL/1330	1.063" X 1.125"	-	2-70-18X	2-7-29	2-7-299
5-1200X	Cleveland / Spicer	S55/1310	1.063"	2-94-28X	-	2-7-29	2-7-99
5-1201X	Cleveland	S55	1.063" X 1.125"	2-94-58X	-	2-7-29	2-7-99
5-1203X	Cleveland / Spicer	P55/1330	1.063"	2-94-28X	-	2-7-29	2-7-99
5-1204X	Cleveland / Spicer	P55/1330	1.063" X 1.125"	2-94-58X	-	2-7-29	2-7-99
5-1205X	Cleveland / Spicer	R55/1350	1.188"	3-94-18X	3-70-28X	3-7-39	3-7-99
5-1206X	Cleveland / Spicer	O55/1410	1.188"	3-94-18X	3-70-28X	3-7-39	3-7-99
5-1306X	Detroit	7260	1.078"	-	2-70-38X	-	2-7-99
5-1309X	Detroit	7290	1.125"	-	-	-	2-7-299
5-2011X	Mechanics	2R	1.000"	-	2-70-18X	-	230093
5-3011X	Mechanics	3R	1.125"	-	2-70-28X	-	2-7-299
5-3022X	Mechanics	3R	1.063" X 1.125"	-	-	2-7-29	2-7-299
5-3147X	Saginaw / Mechanics	3R	1.125"	-	2-70-48X	-	2-7-299



Conversion Kit Number	Series Joined	Converts Yokes Using Kit Number	Greasable	Page Number
			Y=Yes N=No	
5-134X	Spicer 1310 to Spicer 1330	5-153X and 5-213X	Y	262
5-186X*	Spicer 1850 to Mechanics 9C (HWD)	5-85X and 5-9111X	Y	271
5-187X*	Spicer 1850 to Mechanics 9C(HWT)	5-182X and 5-9122X	Y	271
5-212X	Mechanics S44 to Spicer 1330/Cleveland S55	5-3147X and 5-1203X	Y	270
5-220X*	Spicer 1550 to Mechanics 6C (LWT)	5-155X and 5-6144X	Y	271
5-221X*	Spicer 1550 to Mechanics 6BL	5-155X and 5-6006X	Y	271
5-248X	Spicer 1110 to Mechanics 2CL	5-111X and 5-2173X	Y	269
5-291X	Spicer 1310 to Mechanics 2C (LWT)	5-153X and 5-2002X	Y	271
5-324X	Spicer 1810 to Mechanics 9C (HWD)	5-281X and 5-9111X	Y	279
5-326X	Spicer 1880 to Mechanics 9C (HWD)	5-328X and 5-9111X	Y	279
5-327X	Spicer 1880 to Mechanics 9C (HWT)	5-328X and 5-9122X	Y	279
5-328X	Spicer 1550 to Rockwell 58WB (HWD)	5-155X and 5-5800X	Y	271
5-329X*	Spicer 1550 to Rockwell 58WB (LWT)	5-155X and 5-5801X	Y	271
5-330X	Spicer 1650 to Mechanics 7C (HWD)	5-165X and 5-7111X	Y	271
5-331X*	Spicer 1650 to Mechanics 7C (LWT)	5-165X and 5-7000X	Y	271
5-345X	Spicer 1410 to Mechanics 4C (HWD)	5-160X and 5-4111X	Y	271
5-346X*	Spicer 1410 to Mechanics 4C (LWT)	5-160X and 5-4144X	Y	271
5-347X*	Spicer 1480 to Mechanics 5C (HWD)	5-188X and 5-5111X	Y	271
5-348X*	Spicer 1480 to Mechanics 5C (HWT)	5-188X and 5-5000X	Y	271
5-353X*	Spicer 1310 to Detroit 7260	5-153X and 5-1306X	Y	269
5-354X*	Spicer 1310 to Detroit 7290	5-153X and 5-1309X	Y	270
5-355X*	Spicer 1310 to Detroit 7290	5-1203X and 5-1309X	Y	
5-356X*	Spicer 1310 to Mechanics 3CL (LWT)	5-153X and 5-3144X	Y	271
5-357X	Spicer 1410 to Chrysler 5380	5-1206X and 5-1301X	Y	270
5-430X	Spicer 1000 to Rockwell L6N	5-170X and 5-92X	Y	266
5-460X	Spicer 1310 to Spicer 1350	5-153X and 5-178X	Y	262
5-527X*	Chrysler/Detroit 7260 to Chrysler/Detroit 7290	5-1306X and 5-1309X	Y	266
5-541X*	Saginaw S44 to Spicer 1330/Cleveland S55	5-3147X and 5-1203X	Y	269
5-544X*	Spicer 1310 to Saginaw S44	5-153X and 5-3147X	N	
5-648X	Spicer 1330 to Spicer 1350	5-213X and 5-178X	Y	264
5-1312X*	Saginaw S44 to Cleveland P55-55-675	5-3147X and 5-1204X	Y	270
5-1313X*	Spicer 1350 to Cleveland P55-55-675	5-178X and 5-1204X	Y	264, 270
5-3022X*	Spicer 1310 to Saginaw S44	5-153X and 5-3147X	Y	269
5-3163X*	Chrysler/Detroit 7260 to and Saginaw S44	5-1309X and 5-3147X	N	268
5-7437X	Spicer 1330 to Detroit 7290	5-213X and 5-1309X	N	270
5-599X*	Spicer 1330 to Detroit 7260	5-213X and 5-1306X	N	269
5-7436X	Spicer 1330 to Detroit 7260	5-213X and 5-1306X	N	269
5-3248X	Spicer 1350 to Spicer Cleveland P55-55-675	5-178X and 5-1204X	N	264
5-3222X	Spicer 1310 to Detroit 7290	5-153X and 5-1309X	Y	270
5-3249X	Spicer 1310 to Spicer 1310WJ	5-153X and 5-260X	Y	269
5-3255X	Cleveland P55-55-675 to Saginaw S44	5-1204X and 5-3147X	Y	270
5-3246X	Spicer 1330 to Detroit 7260	5-213X and 5-1306X	Y	269
5-796X*	Spicer 1330 to Detroit 7290	5-213X and 5-1309X	N	270
6C-5X	Spicer 1550 to Mechanics 6C (LWT)	5-155X and 5-6144X	Y	271
6C-3X	Spicer 1550 to Mechanics 6BL	5-155X and 5-6006X	Y	271
5-3022-1X	Spicer 1310 to Saginaw S44	5-153X and 5-3147X	Y	269
5C-3X	Spicer 1480 to Mechanics 5C/5BL	5-188X and 5-5111X	Y	271
5C-5X	Spicer 1480 to Mechanics 5C/5BL	5-188X and 5-5000X	Y	271
5-788X	Spicer 1310 to Detroit 7260	5-153X and 5-1306X	Y	269
5-3244X	Chrysler/Detroit 7260 to Chrysler/Detroit 7290	5-1306X and 5-1309X	Y	266
5-621X	Spicer 1330/Cleveland S55 and Saginaw S44	5-1203X and 5-3147X	Y	269
5-3247X	Spicer 1310 to Mechanics 2.5R	5-153X and 5-3219-1X	Y	269
15-134X	Spicer 1310 to Spicer 1330	5-153X and 5-213X	Y	262
15-324X	Spicer 1810 to Mechanics 9C (HWD)	5-281X and 5-9111X	Y	279
15-353X	Spicer 1310 to Detroit 7260	5-153X and 5-1306X	Y	269
5-2140X	Spicer 1310 to Mechanics 2R	5-153X and 5-2011X	Y	269
5-3205X	Spicer 1350 to Saginaw S44	5-178X and 5-3147X	Y	270
5-3227X	Spicer 1330 to Detroit 7290	5-213X and 5-1309X	Y	270
5-450X	Spicer 1610 to Bradley WB	5-279X and Bradley WB	Y	279
5-642X	Spicer 1880 to Mechanics 9C (HWD)	5-308X and 5-9111X	Y	279
5-793X	Spicer 1330 to Saginaw S44	5-213X and 5-3147X	Y	270
5003097*	Spicer 1310 to Saginaw S44	5-153X and 5-3147X	N	269

\* Part has been discontinued

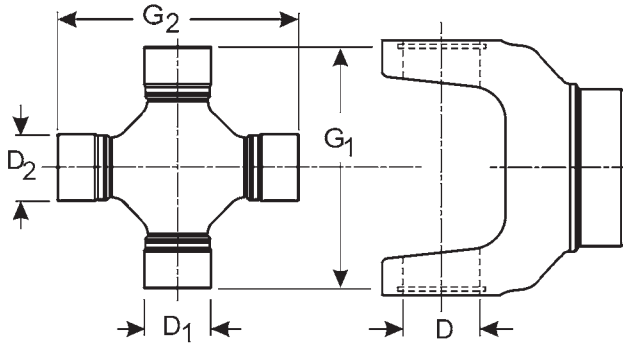
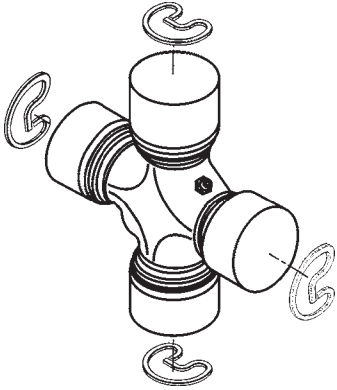




**OUTSIDE SNAP RING (OSR) STYLE**

G1 Over Caps	D1 Inside Bearing Cap Diameter	G2 Over Caps	D2 Outside Bearing Cap Diameter	OE Manufacturer	OE Series	Converts		Greasable Y=Yes N=No	Spicer Part #	Notes
						From This Series	To This Series Part			
1.732	0.811	1.732	0.811	Spicer Italcardano	44-B			N	050576000	
1.850	0.732	1.850	0.732	Spicer Italcardano	47-B			Y	050560000	45° Zerk is located in center of cross
1.909	0.748	1.909	0.748		0400SG			N	5-3256X	
2.046	0.750	2.046	0.750	Spicer Italcardano	U-30			Y	050910000	90° Zerk is located in center of cross
2.126	0.866	2.126	0.866	Bondioli Pavesi	Series 1			Y	5-3200X	
2.165	0.787	2.165	0.787		Kubota			Y	5-3258-1X	
2.165	0.866	2.165	0.866	Walterscheid	2100			Y	040116*	040116 was replaced by 5-3233X
2.150	0.866	2.150	0.866	Walterscheid	2100			Y	5-3233X	
2.409	0.938	2.409	0.938	Spicer	1100-SG			Y	5-102X*	
2.411	0.938	2.411	0.938	Spicer Italcardano	61-B or 1100			Y	050701000	
2.411	0.938	2.411	0.938	Spicer	1100			Y	5-111X*	5-111X was replaced by 5-101X
2.411	0.938	2.411	0.938	Spicer	1100			N	5-101X	
2.438	1.062	2.438	1.062	Spicer	1210			N	5-526X*	5-526X was replaced by 5-443X; has metal back seals
2.438	1.062	2.438	1.062	Spicer	1210			N	5-547X*	5-547X was replaced by 5-443X; has spacer in bearing cap; has metal back seals
2.438	1.062	2.438	1.062	Spicer	1210			Y	5-443X	Lube fitting in bearing cap
2.438	1.062	2.438	1.062	Spicer	1210			Y	5-554X*	Lube fitting in bearing cap; has metal back seals
2.438	1.062	2.438	1.062	Spicer	1210			N	5-736X*	
2.456	1.062	2.456	1.062	Spicer	1210WJ			N	5-3215X	
2.498	0.984	2.498	0.984	Dodge Colt	Dodge			Y	5-1503X	
2.648	1.063	2.648	1.063		Saturn			Y	5-3241X	
2.679	1.125	2.679	1.125	Rockwell	L14N/1240			Y	5-129X	
2.755	1.024	2.755	1.024		Suzuki			Y	5-3257X	
2.764	1.063	2.764	1.063	Bondioli Pavesi	Series 3			Y	5-3232X	
2.931	0.882	2.931	0.882	Rockwell	1FR-AG			Y	5-264X	4-round knurled caps; no bearings in bearing cap
2.933	1.063	2.933	1.063	Walterscheid	2300			Y	044444*	
2.937	1.063	2.937	1.063	Bondioli Pavesi	Series 4			Y	5-3204X	
2.938	1.063	2.938	1.063	Spicer	1300			Y	5-4X*	5-4X was replaced by 5-3214X
2.937	1.062	2.937	1.062	Spicer	1300			Y	5-3214X	
2.939	1.062	2.939	1.062	Spicer Italcardano	75-B			Y	050585000	
2.993	1.260	2.993	1.260	Walterscheid	2400			Y	312410*	312410 was replaced by 5-3235X
2.992	1.260	2.992	1.260	Walterscheid	2400			Y	5-3235X	
3.000	0.985	3.000	0.985		Chrysler/ Mitsubishi			Y	5-3217X	
3.059	1.123	3.059	1.123		Toyota			Y	5-3224X	
3.207	1.250	3.207	1.250	Rockwell	35N/1340			Y	5-243X	
3.219	1.062	3.219	1.062	Spicer	1310			N	5-785X*	5-785X was replaced by 5-1310X; Spicer Life Series
3.219	1.062	3.219	1.062	Spicer	1310/SPL22			N	SPL22-1X*	SPL22-1X was replaced by 5-1310X

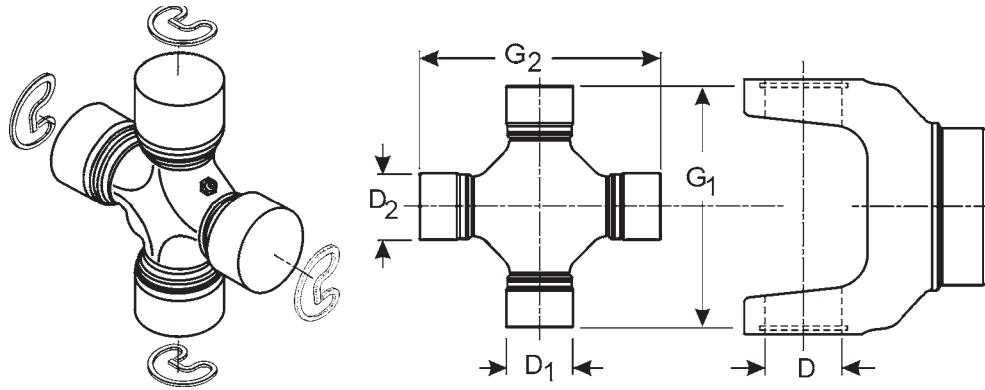
\* Part has been discontinued † Part is available until supply is exhausted ‡ Not sold separately



**OUTSIDE SNAP RING (OSR) STYLE (CONTINUED)**

G1	D1	G2	D2	OE Manufacturer	OE Series	Converts		Greaseable Y=Yes N=No	Spicer Part #	Notes
						From This Series	To This Series Part			
3.219	1.062	3.219	1.062	Spicer	1310/SPL22			N	5-1310X	
3.219	1.062	3.219	1.062	Spicer	1310			Y	5-278X*	5-278X was replaced by 5-153X; flush lube fitting in cross
3.219	1.062	3.219	1.062	Spicer	1310			Y	5-419X†	5-419X will be replaced by 5-153X when supply is exhausted; has metal back seals
3.219	1.062	3.219	1.062	Spicer	1310			Y	5-477X*	5-477X was replaced by 5-153X; has black seals
3.219	1.062	3.219	1.062	Spicer	1310			Y	5-511X*	5-511X was replaced by 5-153X; has long grease Zerk
3.219	1.062	3.219	1.062	Spicer	1310			Y	5-153X	
3.219	1.062	3.219	1.062	Spicer	1310			N	5-611-1X*	Includes various thickness snap rings
3.219	1.062	3.219	1.062	Spicer	1310			N	5-786X*	5-786X was replaced by 5-3613X; coated bearing caps; Spicer Life Series
3.219	1.062	3.219	1.062	Spicer	1310/SPL22			N	SPL22-2X*	SPL22-2X was replaced by 5-3613X; coated bearing caps
3.219	1.062	3.219	1.062	Spicer	1310			N	5-3613X	Coated bearing caps; Spicer Life Series
3.219	1.062	3.219	1.062	Spicer	1310			Y	5-255X*	5-255X was replaced by 5-1310-1X; has metal back seals
3.219	1.062	3.219	1.062	Spicer	1310			Y	5-810X†	5-810X will be replaced by 5-1310-1X when supply is exhausted; lube fitting in bearing cap; Spicer Life Series
3.219	1.062	3.219	1.062	Spicer	1310-CV			Y	5-433-1X*	5-433-1X was replaced by 5-1310-1X; lube fitting in bearing cap
3.219	1.062	3.219	1.062	Spicer	SPL22			Y	SPL22-7X*	SPL22-7X was replaced by 5-1310-1X; Spicer Life Series
3.219	1.062	3.219	1.062	Spicer	1310/SPL22			Y	5-1310-1X	Lube fitting in bearing cap
3.219	1.062	3.219	1.125	Spicer	1310SPEC			Y	5-719X*	
3.219	1.062	3.219	1.125	Spicer	1310SPEC			N	5-787X*	5-787X was replaced by 5-7439X; Spicer Life Series
3.219	1.062	3.219	1.125	Spicer	1310SPEC			Y	5-1201X*	5-1201X was replaced by 5-7439X
3.219	1.062	3.219	1.125	Spicer	1310SPEC/SPL22	S55	SPL22	N	SPL22-3X*	SPL22-3X was replaced by 5-7439X
3.219	1.062	3.219	1.125	Spicer	S55/1310	S55	1310	N	5-7439X	
3.219	1.062	3.625	1.062	Spicer	1310/1330	1310	1330	Y	5-134X	
3.219	1.062	3.625	1.188	Spicer	1310/1350	1310	1350	Y	5-460X	
3.268	1.181	3.268	1.181		ZF			N	5-3262X	
3.496	1.417	3.496	1.417	Walterscheid	Series 2500			Y	5-3237X	
3.503	1.417	3.503	1.417	Walterscheid	2500			Y	312209*	312209 was replaced by 5-3234X
3.150	1.189	3.150	1.189	Bondioli Pavesi	Series 5			Y	5-3234X	
3.607	1.066	3.607	1.066	Visteon	1330			Y	5-3253X	
3.612	1.188	3.612	1.188	AAM	AAM 1355			N	5-3208X	
3.622	1.181	3.622	1.181	Walterscheid	W220			Y	041662*	041662 was replaced by 5-3236X
3.622	1.189	3.622	1.189	Bondioli Pavesi	Series 6			Y	5-3236X	

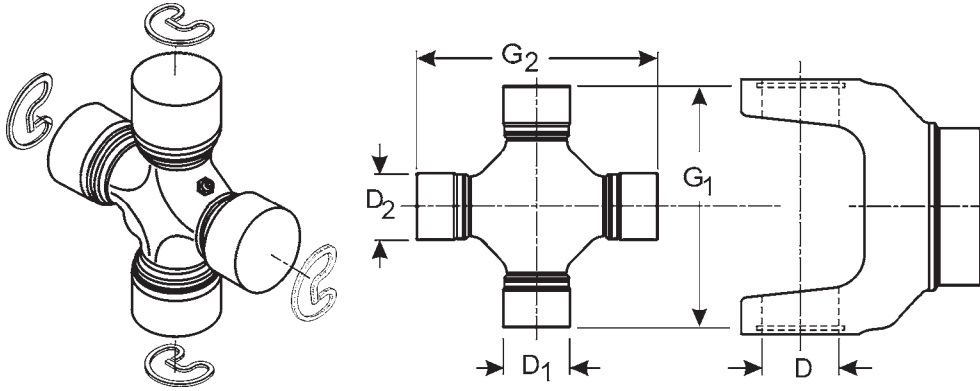
\* Part has been discontinued † Part is available until supply is exhausted ‡ Not sold separately



**OUTSIDE SNAP RING (OSR) STYLE (CONTINUED)**

G1	D1	G2	D2	OE Manufacturer	OE Series	Converts		Greasable Y=Yes N=No	Spicer Part #	Notes
						From This Series	To This Series Part			
3.625	1.062	3.625	1.062	Spicer	1330			Y	5-1203X	
3.625	1.062	3.625	1.062	Spicer	1330			Y	5-273X*	5-273X was replaced by 5-213X; has metal back seals
3.625	1.062	3.625	1.062	Spicer	1330			Y	5-213X	
3.625	1.062	3.625	1.062	Spicer	1330			N	5-791X*	5-791X was replaced by 5-3614X; coated bearing caps; Spicer Life Series
3.625	1.062	3.625	1.062	Spicer	1330/SPL25			N	SPL25-2X*	SPL25-2X was replaced by 5-3614X; coated bearing caps
3.625	1.062	3.625	1.062	Spicer	1330/SPL25			N	5-3614X	Coated bearing caps; Spicer Life Series
3.625	1.062	3.625	1.062	Spicer	1330			N	5-618X*	5-618X was replaced by 5-1330X
3.625	1.062	3.625	1.062	Spicer	1330			N	5-790X*	5-790X was replaced by 5-1330X; Spicer Life Series
3.625	1.062	3.625	1.062	Spicer	SPL25/1330			Y	5-812X*	5-812X was replaced by 5-1330-1X; Spicer Life Series
3.625	1.062	3.625	1.062	Spicer	SPL25			N	5001919*	5001919 was replaced by 5-1330-1X; lube fitting in bearing cap
3.625	1.062	3.625	1.062	Spicer	1330/SPL25			N	SPL25-1X*	SPL25-1X was replaced by 5-1330X
3.625	1.062	3.625	1.062	Spicer	1330/SPL25			N	5-1330X	
3.625	1.062	3.625	1.125	Spicer	1330SPEC			N	5-792X*	5-792X was replaced by 5-7438X; Spicer Life Series
3.625	1.062	3.625	1.125	Spicer	1330SPEC/ SPL25			N	SPL25-3X*	SPL25-3X was replaced by 5-7438X
3.625	1.062	3.625	1.125	Spicer	1330SPEC/ SPL25			N	5-7438X	
3.625	1.062	3.625	1.125	Spicer		1330	1330SPEC	N	5-538X	
3.625	1.062	3.625	1.125	Spicer	1330SPEC			Y	5-1204X	
3.625	1.188	3.625	1.188	Spicer	1350/SPL30			N	SPL30-3X*	2-uncoated, 2-coated bearing caps
3.625	1.188	3.625	1.188	Spicer	1350/SPL30			N	SPL30-4X*	
3.625	1.188	3.625	1.188	Spicer	1350			Y	5-174X	Has metal back seals
3.625	1.188	3.625	1.188	Spicer	1350			Y	5-480X*	5-480X was replaced by 5-178X
3.625	1.188	3.625	1.188	Spicer	1350			Y	5-584X*	5-584X was replaced by 5-178X; same as 5-178X except includes 45° Zerk
3.625	1.188	3.625	1.188	Spicer	1350			Y	5-178X	
3.625	1.188	3.625	1.188	Spicer	1350			Y	15-178X	SVL by Dana
3.625	1.188	3.625	1.188	Spicer	1350			N	5-447X*	5-447X was replaced by 5-3615X; coated bearing caps
3.625	1.188	3.625	1.188	Spicer	1350			N	5-800X*	5-800X was replaced by 5-3615X; coated bearing caps; Spicer Life Series
3.625	1.188	3.625	1.188	Spicer	1350/SPL30			N	SPL30-2X*	SPL30-2X was replaced by 5-3615X; coated bearing caps
3.625	1.188	3.625	1.188	Spicer	1350			N	5-3615X	Coated bearing caps
3.625	1.188	3.625	1.188	Spicer	1350WJ			N	5-282X*	5-282X was replaced by 5-1350X; has metal back seals
3.625	1.188	3.625	1.188	Spicer	1350WJ			N	5-86X*	5-86X was replaced by 5-1350X; used in closed end Spicer front axle; no bearing cap seals

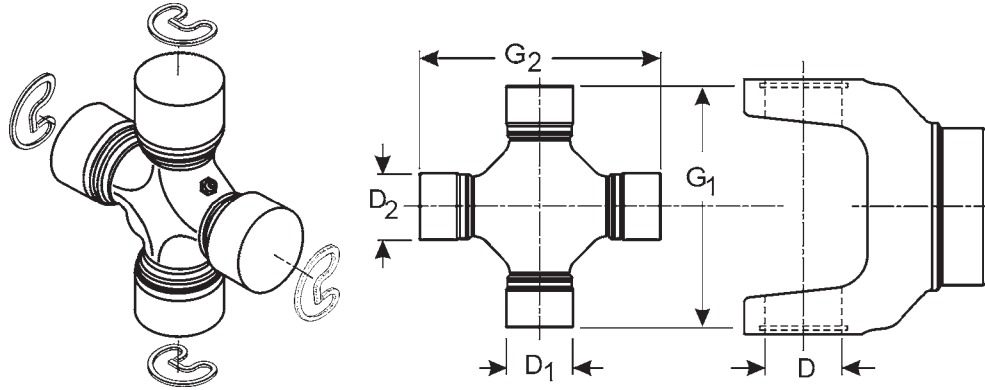
\* Part has been discontinued † Part is available until supply is exhausted ‡ Not sold separately



**OUTSIDE SNAP RING (OSR) STYLE (CONTINUED)**

G1	D1	G2	D2	OE Manufacturer	OE Series	Converts		Greasable Y=Yes N=No	Spicer Part #	Notes
						From This Series	To This Series Part			
3.625	1.188	3.625	1.188	Spicer	1350			N	5-799X*	5-799X was replaced by 5-1350X; Spicer Life Series
3.625	1.188	3.625	1.188	Spicer	1350/SPL30			N	SPL30-1X*	SPL30-1X was replaced by 5-1350X
3.625	1.188	3.625	1.188	Spicer	1350/SPL30			N	5-1350X	
3.625	1.188	3.625	1.188	Spicer	1350			N	5-471X*	5-471X was replaced by 5-1350-1X; has metal back seals - spec for U.S. government
3.625	1.188	3.625	1.188	Spicer	1350			Y	5-542X*	5-542X was replaced by 5-1350-1X; has metal back seals
3.625	1.188	3.625	1.188	Spicer	1350/SPL30			Y	5-1350-1X	Lube fitting in bearing cap
3.625	1.062	3.625	1.062	Spicer	1330/SPL25			Y	5-1330-1X	
3.625	1.062	3.625	1.062	Spicer	1330/SPL25			Y	5-1330-1X	
3.625	1.062	3.625	1.188	Spicer	1330/1350	1330	1350	Y	5-648X	
3.625	1.125	3.625	1.188	Cleveland	P55	1350	P55	Y	5-1313X*	5-1313X was replaced by 5-3248X
3.625	1.125	3.625	1.188	Spicer	1330SPEC/1350	1330SPEC	1350	Y	5-3248X	
3.693	1.374	3.693	1.374	Bondioli Pavesi	Series 7			Y	5-3238X	
3.767	1.260	3.767	1.260	Spicer Italcardan	96-B			Y	050207000	
3.787	1.066	3.787	1.066	Visteon Special	Staked Replacement			N	5-3203X	
3.900	1.005	3.900	1.005	Borg Warner	3DR			Y	5-265X	4-round knurled caps - no hardware included
4.173	1.374	4.173	1.374	Bondioli Pavesi	Series 8			Y	5-3240X	
4.178	1.375	4.178	1.375	AAM	AAM 1485			N	5-3206X	
4.178	1.188	4.178	1.188	AAM	AAM 1415			N	5-3207X	
4.188	1.188	4.188	1.188	Spicer	1410			N	5-641X*	5-641X was replaced by 5-1410X
4.188	1.188	4.188	1.188	Spicer	1410			Y	5-462X*	5-462X was replaced by 5-1410-1X; has metal back seals
4.188	1.188	4.188	1.188	Spicer	1410			N	5-801X*	5-801X was replaced by 5-1410X; Spicer Life Series
4.188	1.188	4.188	1.188	Spicer	1410/SPL36			N	SPL36-1X*	SPL36-1X was replaced by 5-1410X
4.188	1.188	4.188	1.188	Spicer	1410/SPL36			N	SPL36-3X*	SPL36-3X was replaced by 5-1410X
4.188	1.188	4.188	1.188	Spicer	1410/SPL36			N	5-1410X	
4.188	1.188	4.188	1.188	Spicer	1410/SPL36			N	SPL36-2X*	SPL36-2X was replaced by 5-3616X; coated bearing caps
4.188	1.188	4.188	1.188	Spicer	1410			N	5-3616X	Coated bearing caps; Spicer Life Series
4.188	1.188	4.188	1.188	Spicer	1410/SPL36			N	SPL36-4X*	
4.188	1.188	4.188	1.188	Spicer	1410			N	5-429X*	Has metal back seals
4.188	1.188	4.188	1.188	Spicer	1410			Y	5-481X*	5-481X was replaced by 5-160X
4.188	1.188	4.188	1.188	Spicer	1410			Y	5-160X	
4.188	1.375	4.188	1.375	Spicer	1480/SPL55			N	SPL55-2X*	
4.188	1.375	4.188	1.375	Spicer	1480			Y	5-263X*	5-263X was replaced by 5-188X

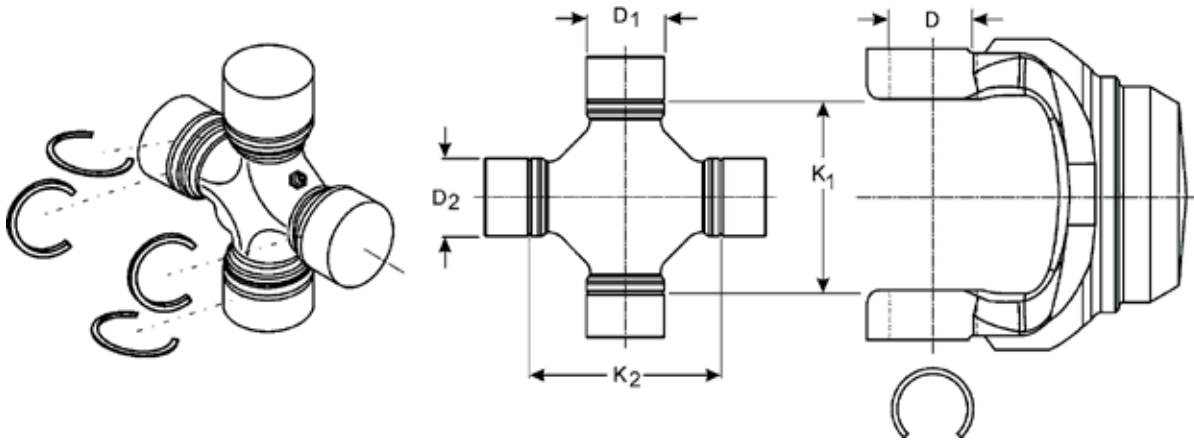
\* Part has been discontinued † Part is available until supply is exhausted ‡ Not sold separately



**OUTSIDE SNAP RING (OSR) STYLE (CONTINUED)**

G1 Over Caps	D1 Inside Bearing Cap Diameter	G2 Over Caps	D2 Outside Bearing Cap Diameter	OE Manufacturer	OE Series	Converts		Greasable Y=Yes N=No	Spicer Part #	Notes
						From This Series	To This Series Part			
4.188	1.375	4.188	1.375	Spicer	1480			Y	5-482X*	5-482X was replaced by 5-188X
4.188	1.375	4.188	1.375	Spicer	1480			Y	5-188X	
4.188	1.375	4.188	1.375	Spicer	1480			N	5-803X*	5-803X was replaced by SPL55X; Spicer Life Series
4.188	1.375	4.188	1.375	Spicer	1480/SPL55			N	SPL55X	
4.188	1.375	4.188	1.375	Spicer	1480			N	5-319X*	5-319X was replaced by SPL55-1X; has metal back seals
4.188	1.375	4.188	1.375	Spicer	SPL55/1480			Y	5-804X*	5-804X was replaced by SPL55-1X; Spicer Life Series
4.188	1.375	4.188	1.375	Spicer	1480/SPL55			Y	SPL55-1X	
4.188	1.188	4.188	1.188	Cleveland	055			Y	5-1206X*	5-1206X was replaced by 5004989
4.188	1.188	4.188	1.188	Cleveland	SPL36/055			N	5004989	
4.188	1.188	4.188	1.188	Spicer	1410/SPL36			Y	5-1410-1X	Lube fitting in bearing cap
4.188	1.375	4.188	1.375	Walterscheid	2200			Y	044439*	
4.232	1.614	4.232	1.614	Bondioli Pavesi	Series 7			Y	5-3239X	
4.312	1.531	4.312	1.531	Rockwell	55N			Y	5-432X*	5-432X was replaced by 5-3225X
4.307	1.533	4.307	1.533	Rockwell	55N			Y	5-3225X	
4.946	1.375	4.946	1.375	AAM	AAM 1555			N	5-3230X	
4.957	1.625	4.957	1.625	Spicer	SPL90			Y	SPL90X*	SPL90X was replaced by SPL100-1X
4.957	1.625	4.957	1.625	Spicer	SPL100			Y	SPL100-1X	Dimensionally same as SPL90X
4.964	1.375	4.964	1.375	Spicer	1550			Y	5-304X*	5-304X was replaced by 5-155X; OEM kit
4.964	1.375	4.964	1.375	Spicer	1550			Y	5-483X*	5-483X was replaced by 5-155X
4.964	1.375	4.964	1.375	Spicer	1550			Y	5-543X*	5-543X was replaced by 5-155X; has metal back seals
4.964	1.375	4.964	1.375	Spicer	1550			Y	5-155X	
4.964	1.375	4.964	1.375	Spicer	1550			Y	5-546X*	2 snap rings and 2 thrust plates w/ metric bolts
4.964	1.375	4.964	1.375	Spicer	1550			N	5-808X*	5-808X was replaced by SPL70X; Spicer Life Series
4.964	1.375	4.964	1.375	Spicer	1550/SPL70			N	SPL70X	
4.964	1.375	4.964	1.375	Spicer	1550			Y	5-275X†	5-275X will be replaced by SPL70-1X when supply is exhausted; has metal back seals
4.964	1.375	4.964	1.375	Spicer	1550			Y	5-778X*	5-778X was replaced by SPL70-1X; same as 5-275X but has 45° Zerk and metal back seals
4.964	1.375	4.964	1.375	Spicer	1550/SPL70			Y	SPL70-1X	
5.590	1.623	5.590	1.623	Spicer	1650			Y	5-165X	
6.011	1.980	6.011	1.980	Spicer Italcardano				Y	050967100	Has 3-hole plates instead of snap rings
6.772	2.559	6.772	2.559	Spicer	SPL350			Y	SPL350X	
6.772	2.559	6.772	2.559	Spicer	SPL350			N	SPL350SFX	
8.092	2.186	8.092	2.186	Spicer	1850			Y	5-185X*	

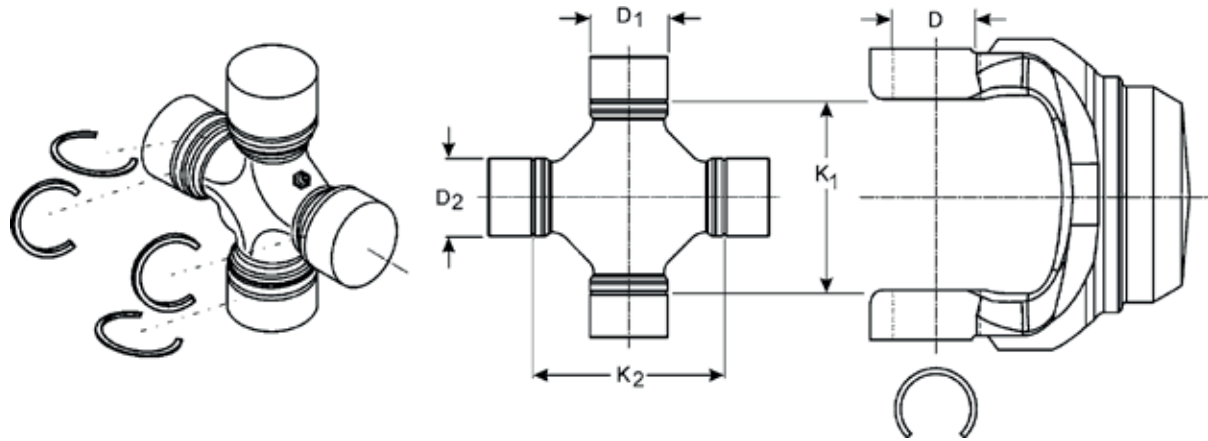
\* Part has been discontinued † Part is available until supply is exhausted ‡ Not sold separately



**INSIDE SNAP RING (ISR) STYLE**

K1 Between Snap Rings	D1 Inside Bearing Cap Diameter	K2 Between Snap Rings	D2 Outside Bearing Cap Diameter	OE Manufacturer	OE Series	Converts		Greasable Y=Yes N=No	Spicer Part #	Notes
						From This Series	To This Series Part			
1.400	0.867	1.400	0.867	Toyota/Nissan	Staked Replacement			Y	5-3202X	Lube fitting in bearing cap
1.445	0.971	1.445	0.971	Rockwell	L6N			Y	5-92X	
1.482	0.886	1.482	0.886	Mazda				N	5-1514X	
1.496	0.787	1.496	0.787	Datsun-Toyota				N	5-1500X	
1.500	0.938	1.445	0.971	Rockwell	L6N	1000	L6N	Y	5-430X	
1.500	0.938	1.500	0.938	Spicer	1000			N	5-110X	
1.500	0.938	1.500	0.938	Spicer	1000SG			Y	5-755X*	Used in aluminum steering shafts
1.500	0.938	1.500	0.938	Spicer	1000			Y	5-170X	Used in PTO shafts
1.500	0.938	1.500	0.938	Spicer	1000			Y	5-170-1X	Lube fitting in bearing cap
1.500	0.938	1.500	0.938	Spicer	1000SG			Y	5-103X	Used in steel steering shafts
1.640	1.062	1.640	1.062	Spicer	1210WJ			N	5-456X*	5-456X was replaced by 5-3215X
1.629	1.062	1.629	1.062	Spicer	1210WJ			N	5-3215X	
1.718	1.000	1.718	1.000	Spicer	1100			Y	5-105X	
1.721	0.984	1.721	0.984	Mazda				Y	5-3229X	
1.723	0.984	1.723	0.984	Mazda				N	5-1504X*	
1.734	0.984	1.734	0.984	Datsun				N	5-1501X	
1.828	1.062	1.828	1.062	Rockwell	L12N	1140	L12N	Y	5-242X	
1.830	1.126	1.830	1.126		Howes 14			Y	5-3265X	
1.843	1.024	1.843	1.024	Toyota				Y	5-3223X	
1.900	0.947	1.900	0.947	BMW/Mazda	Staked Replacement			Y	5-3201X	Lube fitting in bearing cap
1.923	1.062	1.923	1.062		Nissan/Infiniti			Y	5-3218X	
1.980	1.044	1.980	1.044		Kia/Mazda			Y	5-3245-1X	
2.000	1.228	2.000	1.228	Detroit	5160			Y	5-3251X	
2.047	1.142	2.047	1.142	Toyota				Y	5-1510X	
2.080	1.142	2.080	1.142	Chev Luv				Y	5-1515X	
2.118	1.125	2.118	1.125		Mechanics 2.5			Y	5-3219-1X	
2.120	1.079	2.120	1.079	Detroit	7260			Y	5-3228X	
2.125	1.078	2.125	1.078	Detroit	7260			Y	5-1306X*	5-1306X was replaced by 5-789X
2.125	1.078	2.125	1.078	Detroit	7260			Y	5-1306-1X*	5-1306-1X was replaced by 5-789X; lube fitting in bearing cap
2.125	1.078	2.125	1.078	Detroit	7260			N	SPL22-8X*	SPL22-8X was replaced by 5-789X
2.125	1.078	2.125	1.078	Detroit	7260			N	5-789X	Spicer Life Series
2.125	1.078	2.125	1.078	Mercuriser	7260			Y	5-589X*	Mercuriser kit
2.125	1.078	2.625	1.125	Detroit	7260	7260	7290	Y	5-527X*	5-527X was replaced by 5-3244X
2.125	1.078	2.625	1.125	Detroit		7290	7260	Y	5-3244X	
2.140	1.251	2.140	1.251		Howse 15			Y	5-3266X	

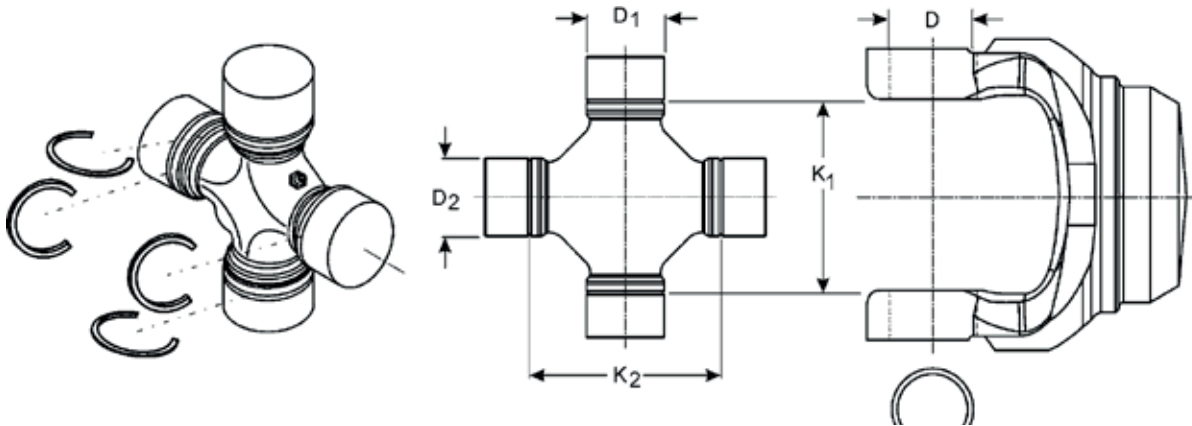
\* Part has been discontinued † Part is available until supply is exhausted ‡ Not sold separately



**INSIDE SNAP RING (ISR) STYLE (CONTINUED)**

K1 Between Snap Rings	D1 Inside Bearing Cap Diameter	K2 Between Snap Rings	D2 Outside Bearing Cap Diameter	OE Manufacturer	OE Series	Converts		Greaseable Y=Yes N=No	Spicer Part #	Notes
						From This Series	To This Series Part			
2.188	1.062	2.188	1.062	Spicer	1310WJ			N	5-74X*	5-74X was replaced by 5-260X; used in closed end; Spicer front axle
2.188	1.062	2.188	1.062	Spicer	1310WJ			Y	5-260-1X*	5-260-1X was replaced by 5-260X; lube fitting in bearing cap
2.188	1.062	2.188	1.062	Spicer	1310WJ			N	5-260X	
2.188	1.188	2.188	1.188	Spicer	1310WJ			Y	5-297-1X*	5-297-1X was replaced by 5-3226X; lube fitting in bearing cap
2.188	1.188	2.188	1.188	Spicer	1310WJ			Y	5-3226X	
2.188	1.188	2.188	1.188	Spicer	1310WJ			N	5-297X*	5-297X was replaced by 5-760X
2.188	1.188	2.188	1.188	Spicer	1310WJ			N	5-760X	
2.200	1.025	2.200	1.025	Toyota				Y	5-1508X	
2.208	1.102	2.208	1.102	Datsun				Y	5-1505X	
2.282	1.181	2.282	1.181		Mitsubishi			Y	5-3243X	
2.288	1.188	2.288	1.188	Spicer	SPL30			N	5004891*	5004891 was replaced by 5-7166X
2.406	1.188	2.406	1.188	Spicer	1350WJ			N	5-7166X	
2.315	1.102	2.315	1.102					Y	5-3216X	
2.337	1.000	2.337	1.000	Mechanics	2RL			Y	5-3263X	
2.337	1.000	2.337	1.000		Mechanics 2			Y	5-3242X	
2.343	1.062	2.343	1.062	Spicer	1310			Y	5-350X*	5-350X was replaced by 5-3254X
2.344	1.000	2.344	1.000	Mechanics	2R			Y	5-2011X*	5-2011X was replaced by 5-3242X
2.340	1.062	2.340	1.062	Spicer	1310			Y	5-3254X	
2.375	1.062	2.375	1.062	Cleveland	S55			Y	5-718X*	Coated bearing caps
2.375	1.062	2.375	1.062	Cleveland	S55			Y	5-1200X	
2.453	1.497	2.453	1.497	Mercedes				Y	5-1506X*	
2.520	1.260	2.520	1.260	Toyota				Y	5-1511X*	5-1511X was replaced by 5-3221X
2.520	1.260	2.520	1.260	Toyota				Y	5-3221X	
2.556	1.125	2.556	1.125	Mechanics	S44			Y	5-3147X	
2.556	1.125	2.556	1.125	Mechanics	S44			N	SPL25-6X*	SPL25-6X was replaced by 5-795X
2.556	1.125	2.556	1.125	Spicer	SPL25/S44			N	5-795X	Spicer Life Series

\* Part has been discontinued † Part is available until supply is exhausted ‡ Not sold separately

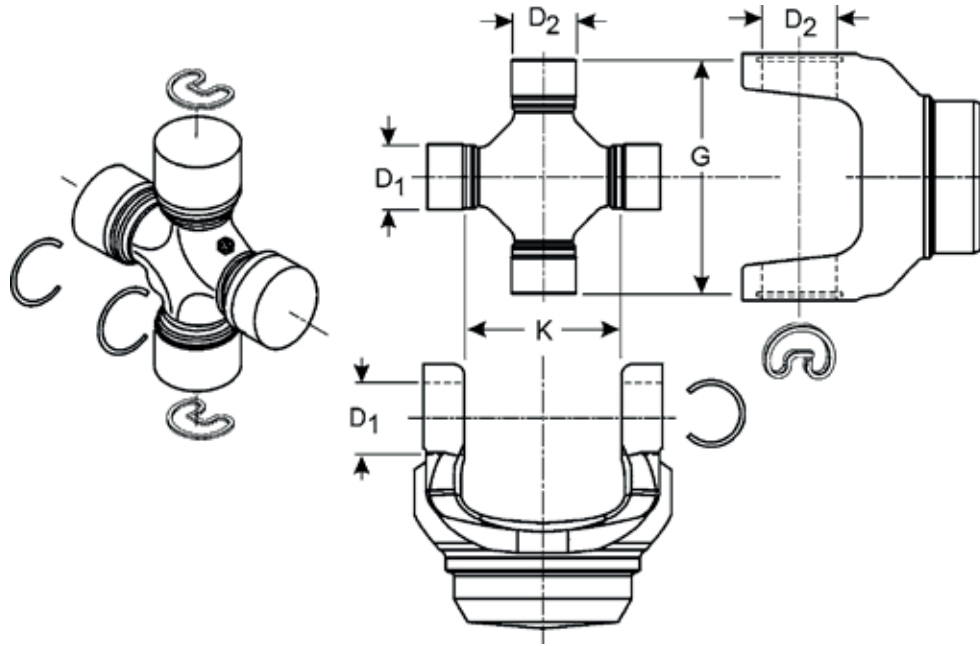


**INSIDE SNAP RING (ISR) STYLE (CONTINUED)**

K1 Between Snap Rings	D1 Inside Bearing Cap Diameter	K2 Between Snap Rings	D2 Outside Bearing Cap Diameter	OE Manufacturer	OE Series	Converts		Greasable Y=Yes N=No	Spicer Part #	Notes
						From This Series	To This Series Part			
2.563	1.188	2.563	1.188	Cleveland	R55			Y	5-1205X*	5-1205X was replaced by 5-3250X
2.587	1.125	2.587	1.125		AAM 1344			N	5-3211X	
2.625	1.125	2.625	1.125	Detroit	7290			N	SPL25-9X*	SPL25-9X was replaced by 5-811X
2.625	1.125	2.625	1.125	Detroit	7290			N	5-811X	Spicer Life Series
2.625	1.125	2.625	1.125	Detroit	7290			Y	5-1309X	
2.635	1.125	2.556	1.125	Detroit/ Mechanics	7290/S44	7290	S44	N	5-3163X*	
2.781	1.312	2.781	1.312	Rockwell	44R			Y	5-431X	
2.798	1.062	2.798	1.062	Spicer	1330			Y	5-1203X	
2.831	1.142	2.831	1.142		Acura/Isuzu			Y	5-3259-1X	
2.920	1.375	2.920	1.375	AAM	1485WJ			N	5006813	Spicer Life Series
2.954	1.375	2.954	1.375	AAM	1485S			N	5-3231X	
3.000	1.231	3.000	1.231	Detroit	5380			Y	5-1301X	
3.000	1.375	3.000	1.375	Spicer	1480WJ			N	5-88X*	5-88X was replaced by SPL55-3X; used in closed end; Spicer front axle
3.000	1.375	3.000	1.375	Spicer	SPL55/ 1480WJ			N	5-806X*	5-806X was replaced by SPL55-3X; wheel joint
3.000	1.375	3.000	1.375	Spicer	1480WJ			N	5-332X*	5-332X was replaced by SPL55-3X; can use 5-806X
3.000	1.375	3.000	1.375	Spicer	SPL55/ 1480WJ			N	SPL55-3X	Wheel joint; same as 5-806X
3.000	1.375	3.000	1.375	Spicer	SPL55/ 1480WJ			Y	5-807X*	5-807X was replaced by SPL55-4X; wheel joint
3.000	1.375	3.000	1.375	Spicer	SPL55/ 1480WJ			Y	SPL55-4X	Wheel joint; same as 5-807X
3.125	1.188	3.125	1.188	Cleveland	O55			Y	5-1206X*	5-1206X was replaced by 5004989
3.125	1.188	3.125	1.188	Spicer	SPL36/O55			N	5004989	Includes 4 inside and 4 outside snap rings
3.250	1.125	3.250	1.125	Mechanics	4R			Y	5-4015X*	
3.737	1.375	3.737	1.375	AAM	AAM 155			N	5-3212X	
3.780	1.375	3.780	1.375	Spicer	SPL70WJ			N	SPL70-3X*	SPL70-3X was replaced by SPL70-4X
3.780	1.375	3.780	1.375	Spicer	SPL70WJ			Y	SPL70-4X	

\* Part has been discontinued † Part is available until supply is exhausted ‡ Not sold separately

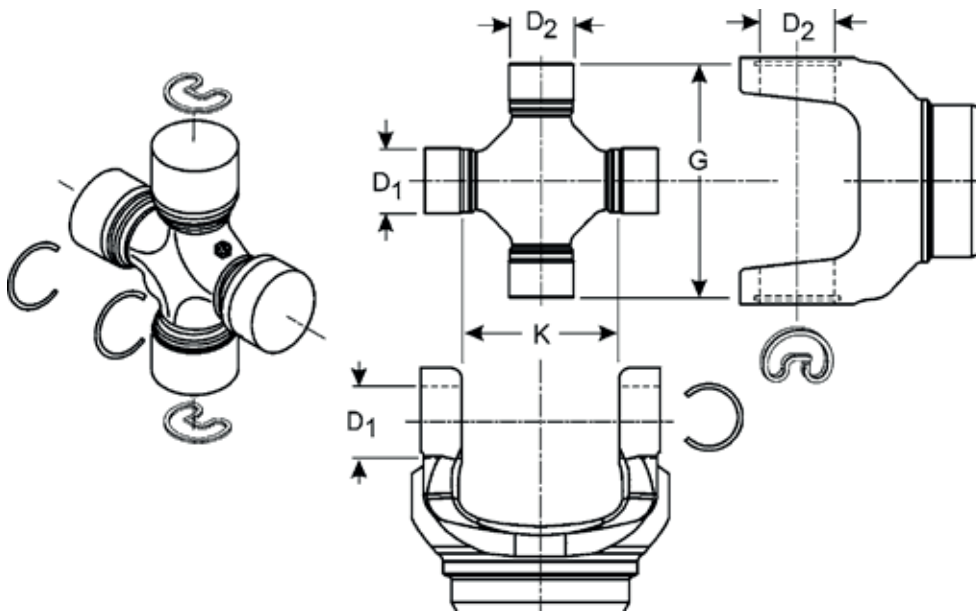




**OUTSIDE SNAP RING/INSIDE SNAP RING (OSR/ISR) STYLE**

K Inside Snap Ring Dimension	D1 Inside Bearing Cap Diameter	G Outside Snap Ring Dimension	D2 Outside Bearing Cap Diameter	OE Manufacturer	OE Series	Converts		Greaseable Y=Yes N=No	Spicer Part #	Notes
						From This Series	To This Series Part			
1.629	1.062	2.456	1.062	Spicer	1210WJ			N	5-3215X	
1.719	1.000	2.438	1.062	Spicer	1110SPEC			Y	5-249X*	5-249X was replaced by 5-248X
1.719	1.000	2.438	1.062	Spicer	1110/1210	1110	1210	Y	5-248X	Grease Zerk in center of cross
2.049	1.142	3.219	1.062	Toyota		Toyota	1310	Y	5-721X*	
2.125	1.078	3.219	1.062	Detroit	7260	7260	1310	Y	5-353X*	5-353X was replaced by 5-788X
2.125	1.078	3.219	1.062	Detroit	7260	7260	1310	N	5-634X*	5-634X was replaced by 5-788X
2.125	1.078	3.220	1.062	Detroit	7260	7260	1310/ SPL22	N	SPL22-4X*	SPL22-4X was replaced by 5-788X
2.125	1.078	3.219	1.062	Detroit	7260	7260	1310	N	5-788X	Spicer Life Series
2.125	1.078	3.219	1.062	Detroit	7260	7260	1310	N	5-647X*	Coated bearing caps
2.125	1.078	3.625	1.062	Detroit	7260	7260	1330	Y	5-599X*	5-599X was replaced by 5-3246X
2.116	1.078	3.625	1.062	Spicer	1330/7290	7290	1330	Y	5-3246X	
2.125	1.125	3.219	1.062	Mechanics		2.5R	1310	N	5-2530X*	5-2530X was replaced by 5-3247X; plug in center of cross; lube fitting not included
2.125	1.125	3.219	1.062	Mechanics		2.5R	1310	Y	5-3247X	Plug in center of cross; lube fitting not included
2.181	1.062	3.219	1.062	Spicer	SPEC			Y	5-3249X	
2.324	1.062	3.219	1.062		1310SPEC			Y	5-3213X	
2.344	1.000	3.219	1.062	Spicer		2R	1310	Y	5-2140X	
2.344	1.000	3.219	1.125	Mechanics	2CL	2CL	1260	Y	5-2173X	
2.375	1.062	3.625	1.062	Cleveland	S55			Y	5-1202X*	
2.556	1.125	3.219	1.062	Mechanics	S44	S44	1310	Y	5-3022X*	5-3022X was replaced by 5-3022-1X
2.556	1.125	3.219	1.062	Mechanics	S44	S44	1310	Y	5-3022-1X	
2.556	1.125	3.625	1.062	Spicer	1330/S44			N	5-541X*	5-541X was replaced by 5-793X
2.556	1.125	3.625	1.062	Mechanics	S44	S44	1330	N	5-619X*	5-619X was replaced by 5-793X
2.556	1.125	3.625	1.062	Mechanics	S44	S44	1330	N	5-621X*	5-621X was replaced by 5-793X
2.556	1.125	3.625	1.062	Mechanics	S44	S44	1330	N	5-794X*	5-794X was replaced by 5-793X; outside snap ring caps are coated; Spicer Life Series
2.556	1.125	3.625	1.062	Mechanics	S44	S44	1330/ SPL25	N	5-7436X*	5-7436X was replaced by 5-793X
2.556	1.125	3.625	1.062				1330	N	5003097†	5003097 will be replaced by 5-793X when supply is exhausted
2.556	1.125	3.625	1.062	Mechanics	S44	S44	1330/ SPL25	N	SPL25-4X*	SPL25-4X was replaced by 5-793X

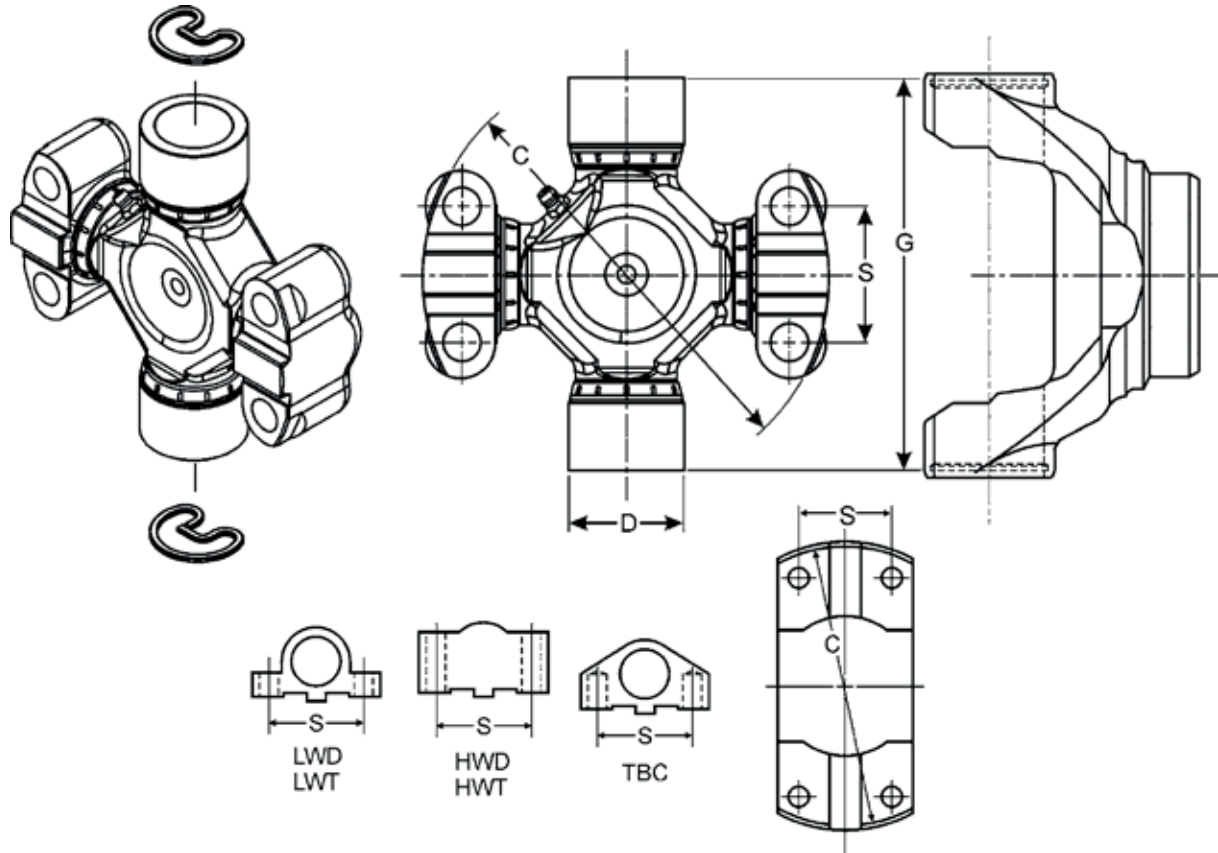
\* Part has been discontinued † Part is available until supply is exhausted ‡ Not sold separately



**OUTSIDE SNAP RING/INSIDE SNAP RING (OSR/ISR) STYLE (CONTINUED)**

K	D1	G	D2	OE Manufacturer	OE Series	Converts		Greaseable Y=Yes N=No	Spicer Part #	Notes
						From This Series	To This Series Part			
2.556	1.125	3.625	1.062	Mechanics	S44	S44	1330/SPL25	N	SPL25-5X*	SPL25-5X was replaced by 5-793X; outside snap ring caps are coated
2.556	1.125	3.625	1.062	Spicer	1330/S44			N	5-793X	Spicer Life Series
2.556	1.125	3.625	1.062	Mechanics	S44	S44	1330	Y	5-212X	
2.556	1.125	3.625	1.125	Cleveland	P55	S44	P55	Y	5-1312X*	5-1312X was replaced by 5-3255X
2.556	1.125	3.625	1.125	Cleveland	P55-55-675			Y	5-3255X	
2.556	1.125	3.625	1.188	Mechanics	1350/S44	S44	1350	Y	5-3205X	
2.563	1.188	3.625	1.188	Cleveland	R55			Y	5-3250X	
2.625	1.125	3.219	1.062	Detroit		7290	1310	Y	5-354X*	5-354X was replaced by 5-3222X
2.613	1.126	3.219	1.062	Spicer			1310	Y	5-3222X	
2.625	1.125	3.625	1.062	Detroit	7290	7290	1330	N	5-637X*	5-637X was replaced by 5-7437X
2.625	1.125	3.625	1.062	Detroit	7290	7290	1330	N	5-672X*	5-672X was replaced by 5-7437X
2.625	1.125	3.625	1.062	Detroit	7290	7290	1330	N	5-796X*	5-796X was replaced by 5-7437X; Spicer Life Series
2.625	1.125	3.625	1.062	Detroit	7290	7290	1330/SPL25	N	SPL25-7X*	SPL25-7X was replaced by 5-7437X
2.625	1.125	3.625	1.062	Detroit	7290	7290	1330/SPL25	N	SPL25-8X*	SPL25-8X was replaced by 5-7437X; coated bearing caps
2.625	1.125	3.625	1.062	Detroit	7290/1330	7290	1330/SPL25	N	5-7437X	
2.625	1.125	1.062		Detroit	7290	7290	1330	Y	5-3227X	
2.767	1.062	3.625	1.125	Spicer		1330	1330SPEC	N	5-538X*	5-538X was replaced by 5-1204X
2.767	1.062	3.625	1.125	Spicer	1330SPEC				5-1204X	
2.767	1.062	3.625	1.125	Spicer	1330SPEC				15-1204X	
2.767	1.125	3.625	1.188	Cleveland	P55	1350	P55	Y	5-1313X*	5-1313X was replaced by 5-3248X
2.798	1.062	3.625	1.062	Spicer	1330			Y	5-1203X	
3.000	1.231	4.188	1.188	Detroit	5380	5380	1410	Y	5-357X	
3.125	1.188	4.188	1.188	Cleveland	O55			Y	5-1206X*	5-1206X was replaced by 5004989
3.125	1.188	4.188	1.188	Cleveland	SPL36/O55			N	5004989	

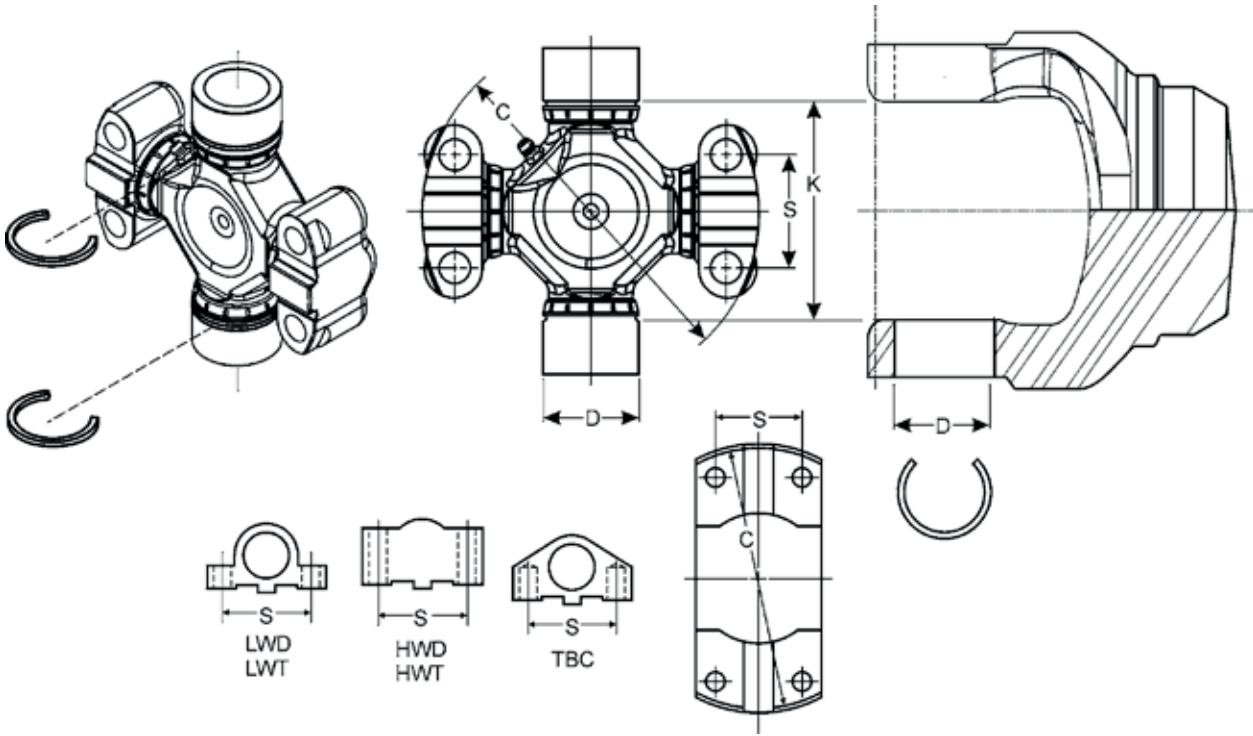
\* Part has been discontinued † Part is available until supply is exhausted ‡ Not sold separately



**OUTSIDE SNAP RING/WING BEARING (OSR/WB) STYLE**

G	D	C	S	WB Cap Style	Converts		Greasable	Spicer Part #	Notes
					From This Series	To This Series Part	Y=Yes N=No		
3.219	1.062	3.125	1.312	TBC	2C	1310	Y	5-291X	
3.219	1.062	3.562	1.438	TBC	3C	1310	Y	5-356X*	
3.625	1.062	3.562	1.438	LWT	3C	1330/P55	Y	5-688X*	
3.625	1.062	3.562	1.438	TBC	3C	1330	Y	5-314X*	
3.625	1.188	3.562	1.438	LWT	3C	1350	Y	5-689X*	
3.625	1.188	3.562	1.438	HWD	3C	1350	Y	5-698X*	
4.188	1.188	4.250	1.438	HWD	4C	1410	Y	5-345X	
4.188	1.188	4.250	1.438	LWT	4C	1410	Y	5-346X*	
4.188	1.375	4.531	1.688	HWD	5C	1480	Y	5-347X*	5-347X was replaced by 5C-3X
4.188	1.375	4.531	1.688	HWD	5C	1480	Y	5C-3X	
4.188	1.375	4.531	1.688	HWT	5C	1480	Y	5-348X*	5-348X was replaced by 5C-5X
4.188	1.375	4.531	1.688	HWT	5C	1480	Y	5C-5X	
4.969	1.375	5.312	1.938	HWD	58WB	1550	Y	5-328X	
4.969	1.375	5.312	1.938	LWT	58WB	1550	Y	5-693X*	
4.969	1.375	5.312	1.938	HWT	58WB	1550	Y	5-329X*	
4.969	1.375	5.531	1.688	HWD	6C/62N	1550	Y	5-221X*	5-221X was replaced by 6C-3X
4.969	1.375	5.531	1.688	HWD	6C/62N	1550	Y	6C-3X	
4.969	1.375	5.531	1.688	HWT	6C/62N	1550	Y	5-220X*	5-220X was replaced by 6C-5X
4.969	1.375	5.531	1.688	HWT	6C/62N	1550	Y	6C-5X	
5.594	1.625	5.844	1.938	HWT	7C/72N/68WB	1650	Y	5-331X*	
5.594	1.625	5.844	1.938	HWD	7C/72N/68WB	1650	Y	5-330X	
8.092	2.186	8.250	2.812	HWT	9C/92N/88WB	1850	Y	5-187X*	
8.092	2.186	8.250	2.812	HWD	9C/92N/88WB	1850	Y	5-186X*	

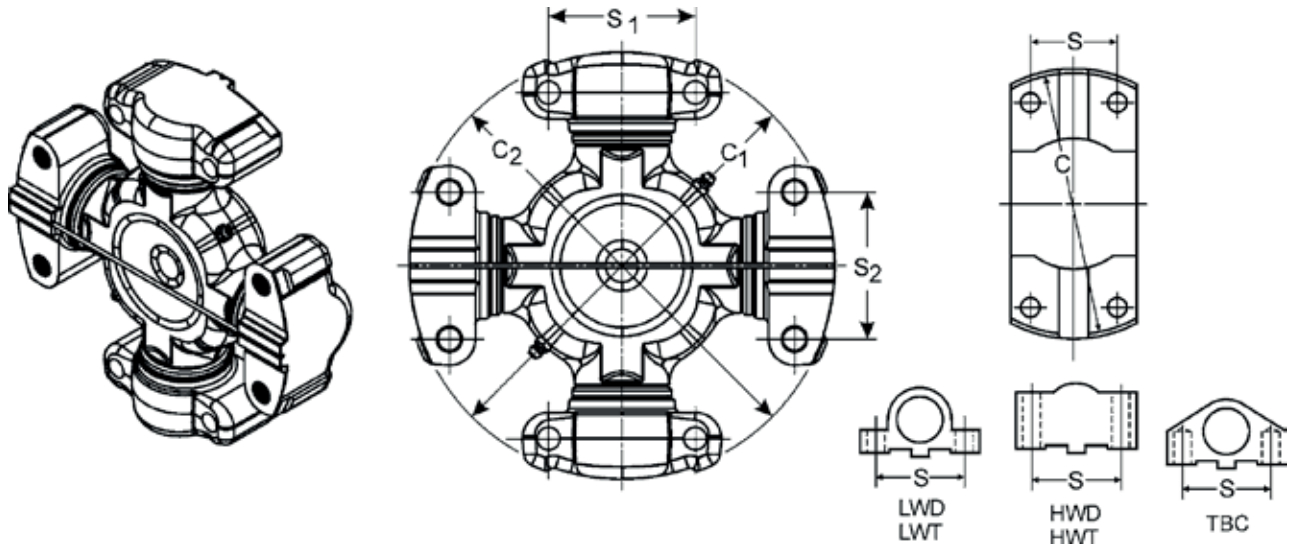
\* Part has been discontinued † Part is available until supply is exhausted ‡ Not sold separately



**INSIDE SNAP RING/WING BEARING (ISR/WB) STYLE**

K Between Snap Rings	D Bearing Cap Diameter	C Pilot Diameter	S Between Bolt Holes	WB Cap Style	Converts		Greaseable Y=Yes N=No	Spicer Part #	Notes
					From This Series	To This Series Part			
2.125	1.078		1.750	LWD	7260	Special	Y	5-1304X*	
2.344	1.000	3.125	1.312	LWD	2CRL	2R	Y	5-2033X*	
2.344	1.000	3.125	1.312	TBC	2CRL	2R	Y	5-2031X	
2.562	1.125	3.562	1.438	TBC	3CRL	S44	Y	5-3012X*	5-3012X was replaced by 5-3264X
2.752	1.125	3.559	1.437	LWT	3CRL	S44	Y	5-3264X	
3.250	1.125	4.250	1.438	LWD	4CRL	4D	Y	5-4014X*	
3.250	1.125	4.250	1.438	LWD	4CSRL	4R	Y	5-4016X*	
3.312	1.312	4.531	1.688	LWD	5CSRL	5R	Y	5-5015X	
3.312	1.312	4.531	1.688	LWT	5CRL	5C	Y	5-5008X*	

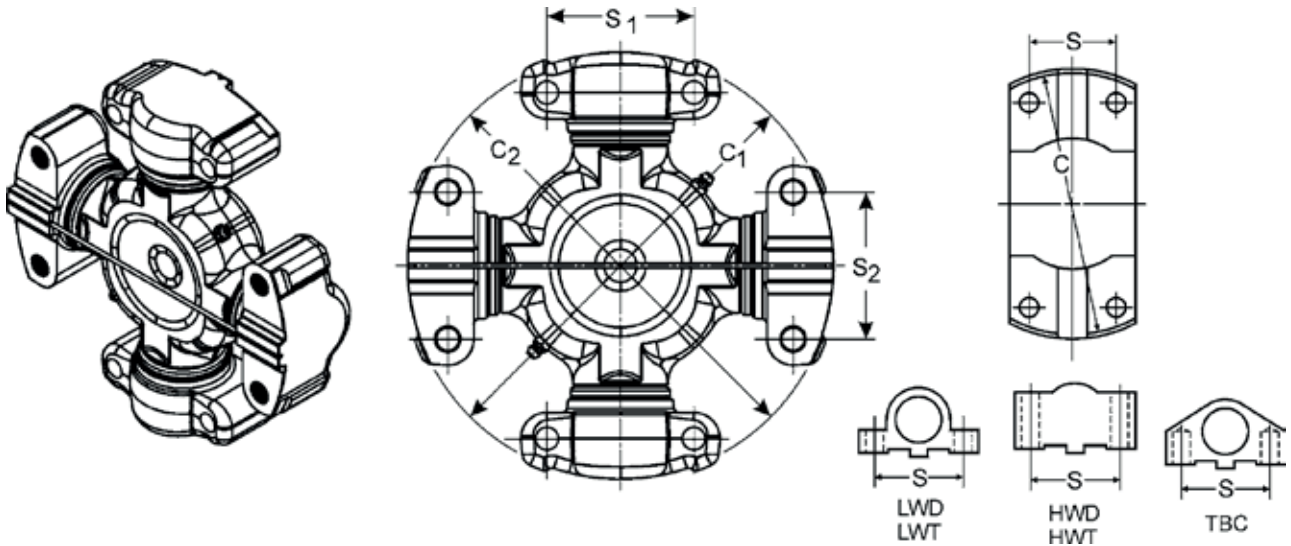
\* Part has been discontinued † Part is available until supply is exhausted ‡ Not sold separately



**WING BEARING (WB) STYLE**

C1	S1	WB1	C2	S2	WB2	OE Manufacturer	OE Series	Greasable Y=Yes N=No	Spicer Part #	Notes
Pilot Diameter	Centerline to Centerline	Cap Type	Pilot Diameter	Centerline to Centerline	Cap Type					
3.125	1.312	LWT	3.125	1.312	LWT	Spicer Italcardano	2C	Y	5-781X*	Lube fitting in bearing cap
3.125	1.312	LWD	3.125	1.312	LWD	Spicer Italcardano	2C	N	050239000*	
3.125	1.312	LWD	3.125	1.312	LWD	Spicer Italcardano	2C	Y	050239010*	Lube fitting in bearing cap
3.125	1.312	LWD	3.125	1.312	LWD	Spicer Italcardano	2C	N	050238000*	
3.125	1.312	LWD	3.125	2.387	TBC	Mechanics	2C	Y	5-2116X*	
3.125	1.312	LWT	3.125	2.687	LWT	Mechanics	2C	N	5-2002X*	
3.562	1.438	LWT	3.562	1.438	LWT	Mechanics	3C	Y	5-3000X†	5-3000X will be replaced by 5-3144X when supply is exhausted
3.562	1.438	LWT	3.562	1.438	LWT	Mechanics/Rockwell	3C	Y	5-3144X	
4.250	1.438	HWD	4.250	1.438	HWD	Mechanics	4C		5-4143X*	5-4143X was replaced by 5-4111X 050742000 will be replaced by 5-4111X when supply is exhausted; OEM kit; bolt part # 81530001, not included
4.250	1.438	HWD	4.250	1.438	HWD	Spicer Italcardano	4C	Y	050742000†	050742010 will be replaced by 5-4111X when supply is exhausted; aftermarket kit; bolt part # 81530001, not included
4.250	1.438	HWD	4.250	1.438	HWD	Spicer Italcardano	4C	Y	050742010†	050742020 was replaced by 5-4211X; OEM kit; bolt part # 81530001, not included
4.250	1.438	HWD	4.250	1.438	HWD	Spicer Italcardano	4C	N	050742020*	
4.250	1.438	HWD	4.250	1.438	HWD	Spicer Italcardano	4C	Y	5-4111X	
4.250	1.438	LWT	4.250	1.438	LWT	Mechanics	4C	Y	5-4002X*	5-4002X was replaced by 5-4144X
4.250	1.438	LWT	4.250	1.438	LWT	Mechanics/Rockwell	4C	Y	5-4144X	
4.250	1.438	HWD	4.250	1.438	HWT	Mechanics	4C	Y	5-4140X†	5-4140X will be replaced by 5-4112X when supply is exhausted
4.250	1.438	HWD	4.250	1.438	HWT	Mechanics/Rockwell	4C	Y	5-4112X	
4.250	1.438	HWD	4.250	1.438	HWD	Spicer Italcardano	4C	N	5-4211X	
4.531	1.688	HWD	4.531	1.688	HWD	Mechanics	5C	Y	5C-1X*	5C-1X was replaced by 5-5111X
4.531	1.688	HWD	4.531	1.688	HWD	Mechanics	5C	Y	5-5177X*	5-5177X was replaced by 5-5111X 050776020 will be replaced by 5-5111X
4.531	1.688	HWD	4.531	1.688	HWD	Spicer Italcardano	5C	Y	050776020†	when supply is exhausted; OEM kit; bolt part # 81530007, not included

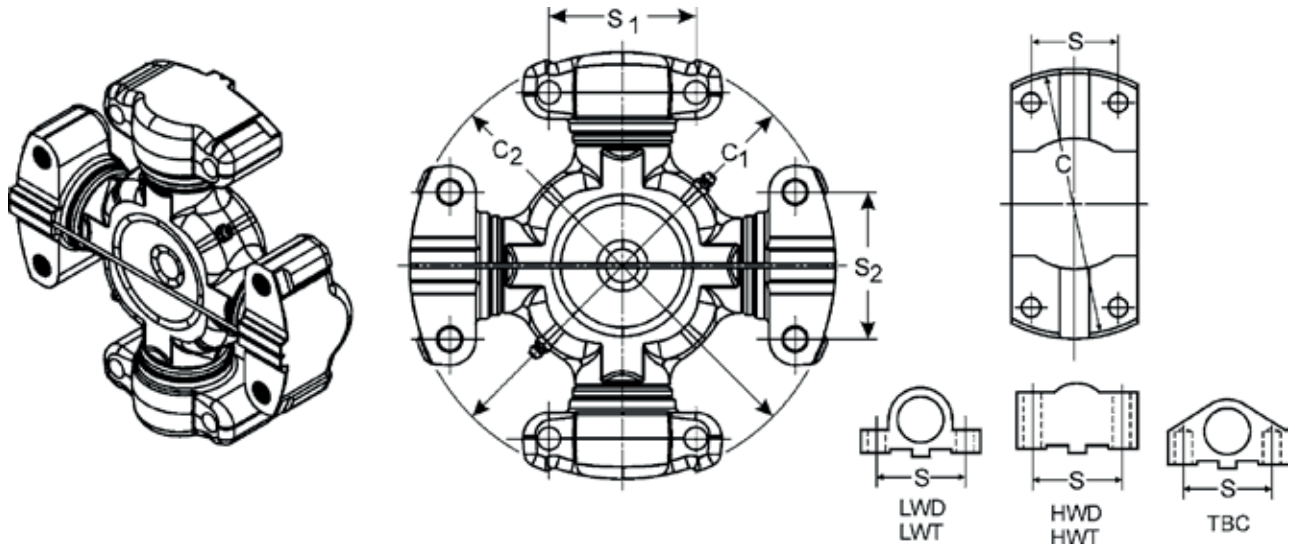
\* Part has been discontinued † Part is available until supply is exhausted ‡ Not sold separately



**WING BEARING (WB) STYLE (CONTINUED)**

C1	S1	WB1	C2	S2	WB2	OE Manufacturer	OE Series	Greasable Y=Yes N=No	Spicer Part #	Notes
Pilot Diameter	Centerline to Centerline	Cap Type	Pilot Diameter	Centerline to Centerline	Cap Type					
4.531	1.688	HWD	4.531	1.688	HWD	Spicer Italcardano	5C	Y	050776010†	050776010 will be replaced by 5-5111X when supply is exhausted; aftermarket kit; bolt part # 81530007, not included
4.531	1.688	HWD	4.531	1.688	HWD	Spicer Italcardano	5C	Y	5-5111X	
4.531	1.688	HWD	4.531	1.688	HWD	Spicer Italcardano	5C	N	050370000†	050370000 will be replaced by 5-5211X or 5-5211XM when supply is exhausted; OEM kit; bolt part # 81530007, not included
4.531	1.688	HWD	4.531	1.688	HWD	Spicer Italcardano	5C	N	5-5211X	
4.531	1.688	LWD	4.531	1.688	LWT	Mechanics	5C	Y	5-5121X*	
4.531	1.688	TBC	4.531	1.688	LWT	Mechanics	5C	Y	5-5000X*	
4.531	1.688	HWD	4.531	1.688	HWD	Spicer Italcardano	5C	N	5-5211XM	Same as 5-5211X but metric bolts
5.118	1.937	HWD	5.118	1.937	HWD	Spicer Italcardano	WS36/670	Y	050544000	
5.312	1.938	HWD	5.312	1.938	HWD	Rockwell	58WB	Y	5-5800X*	
5.531	1.688	LWT	5.531	1.688	LWT	Mechanics/ Rockwell	6C/62N	Y	5-6000X*	
5.531	1.688	LWT	5.531	1.688	HWD	Mechanics/ Rockwell	6C/62N	Y	5-6102X*	
5.531	1.688	LWT	5.531	1.688	HWD	Mechanics/ Rockwell	6C/62N	Y	6C-9X*	
5.531	1.688	HWD	5.531	1.688	HWD	Mechanics/ Rockwell	6C/62N	Y	5-6106X*	5-6106X was replaced by 5-6111X
5.531	1.688	HWD	5.531	1.688	HWD	Spicer Italcardano	6C/62N	Y	050380000*	050380000 was replaced by 5-6111X
5.531	1.688	HWD	5.531	1.688	HWD	Spicer Italcardano	6C/62N	Y	050223000*	050223000 was replaced by 5-6111X
5.531	1.688	HWD	5.531	1.688	HWD	Mechanics/ Rockwell	6C/62N	Y	050138000*	050138000 was replaced by 5-6111X; OEM kit; bolt part # 81530007, not included
5.531	1.688	HWD	5.531	1.688	HWD	Spicer Italcardano	6C/62N	Y	050138010*	050138010 was replaced by 5-6111X; bolt part # 81530007, not included
5.531	1.688	HWD	5.531	1.688	HWD	Mechanics/ Rockwell	6C/62N	Y	5-6111X	
5.531	1.688	HWD	5.531	1.688	HWD	Spicer Italcardano	6C/62N	N	050273000*	050273000 was replaced by 5-6211X; bolt part # 81530007, not included
5.531	1.688	HWD	5.531	1.688	HWD	Spicer Italcardano	6C/62N	N	5-6211X	
5.531	1.688	TBC	5.844	1.938	HWD	Mechanics/ Rockwell	6C/7C	Y	5-6109X*	

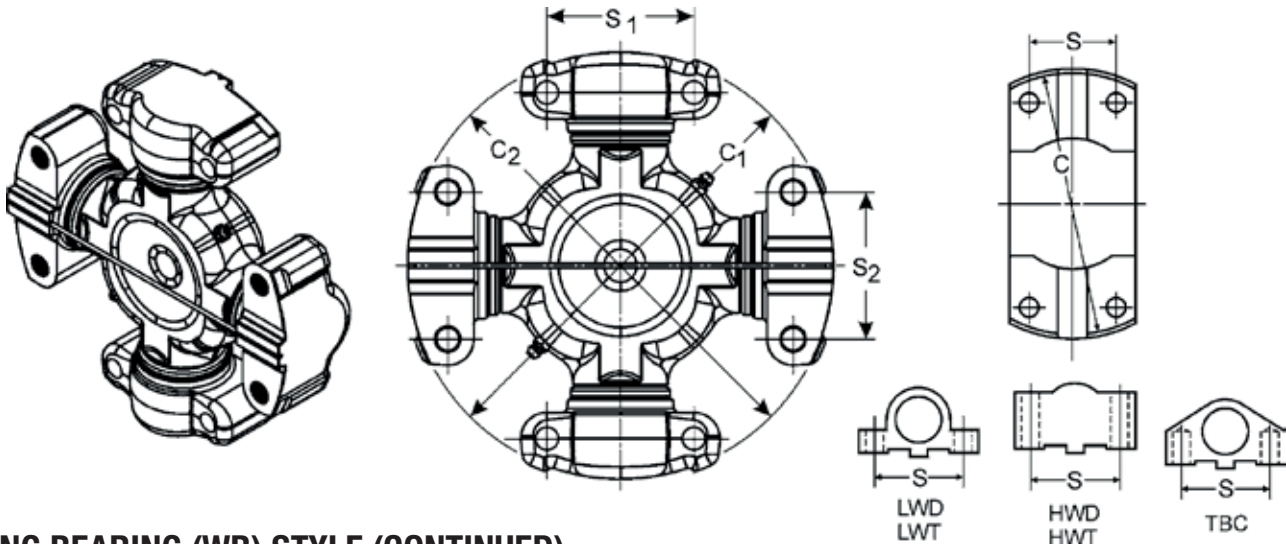
\* Part has been discontinued † Part is available until supply is exhausted ‡ Not sold separately



**WING BEARING (WB) STYLE (CONTINUED)**

C1 Pilot Diameter	S1 Centerline to Centerline	WB1 Cap Type	C2 Pilot Diameter	S2 Centerline to Centerline	WB2 Cap Type	OE Manufacturer	OE Series	Greasable	Spicer Part #	Notes
								Y=Yes N=No		
5.531	1.688	TBC	5.844	1.938	TBC	Mechanics/ Rockwell	6C/7C	Y	5-6108X*	
5.844	1.938	TBC	5.844	1.938	HWD	Mechanics/ Rockwell	7C/72N	Y	5-7202X†	5-7202X will be replaced by 5-7115X when supply is exhausted
5.844	1.938	HWD	5.844	1.938	TBC	Mechanics/ Rockwell	7C/72N	Y	5-7115X	
5.844	1.938	LWT	5.844	1.938	LWT	Mechanics/ Rockwell	7C/72N	Y	5-7000X*	
5.844	1.938	HWD	5.844	1.938	HWD	Spicer Italcardano	7C/72N	N	050915222	
5.844	1.938	HWD	5.844	1.938	HWD	Mechanics/ Rockwell	7C/72N	Y	5-7105X†	5-7105X will be replaced by 5-7111X when supply is exhausted
5.844	1.938	HWD	5.844	1.938	HWD	Spicer Italcardano	7C/72N	Y	050915010*	050915010 was replaced by 5-7111X; aftermarket kit; bolt part # 81530014, not included
5.844	1.938	HWD	5.844	1.938	HWD	Spicer Italcardano	7C/72N	Y	050915000*	050915000 was replaced by 5-7111X; OEM kit; bolt part # 81530014, not included
5.844	1.938	HWD	5.844	1.938	HWD	Spicer Italcardano	7C/72N	N	050280000*	050280000 was replaced by 5-7211X or 5-7211XM50 or 5-7211XM55; bolt part # 81530014, not included
5.844	1.938	HWD	5.844	1.938	HWD	Spicer Italcardano	7C/72N	Y	5-7111X	
5.844	1.938	HWD	5.844	1.938	HWD	Spicer Italcardano	7C/72N	N	5-7211X	
5.844	1.938	HWD	5.844	1.938	HWD	Spicer Italcardano	7C/72N	N	5-7211XM50	Same as 5-7211X but metric bolts
6.500	2.812	HWD	6.500	2.812	HWD	Spicer Italcardano	8.5C	N	050281000*	050281000 was replaced by 5-85211X or 5-85211XM; bolt part # 81530015, not included
6.500	2.812	HWD	6.500	2.812	HWD	Spicer Italcardano	8.5C	N	5-85211X	
6.500	2.812	LWD	6.500	2.812	LWD	Spicer Italcardano	8.5C	Y	050964000*	050964000 was replaced by 5-85133X
6.500	2.812	LWD	6.500	2.812	LWD	Spicer Italcardano	8.5C	Y	5-85133X	
6.500	2.812	HWD	6.500	2.812	HWD	Spicer Italcardano	8.5C	Y	050246000*	050246000 was replaced by 5-85111X; OEM kit; dual Zerk in center of cross
6.500	2.812	HWD	6.500	2.812	HWD	Spicer Italcardano	8.5C	Y	5-85111X	

\* Part has been discontinued † Part is available until supply is exhausted ‡ Not sold separately

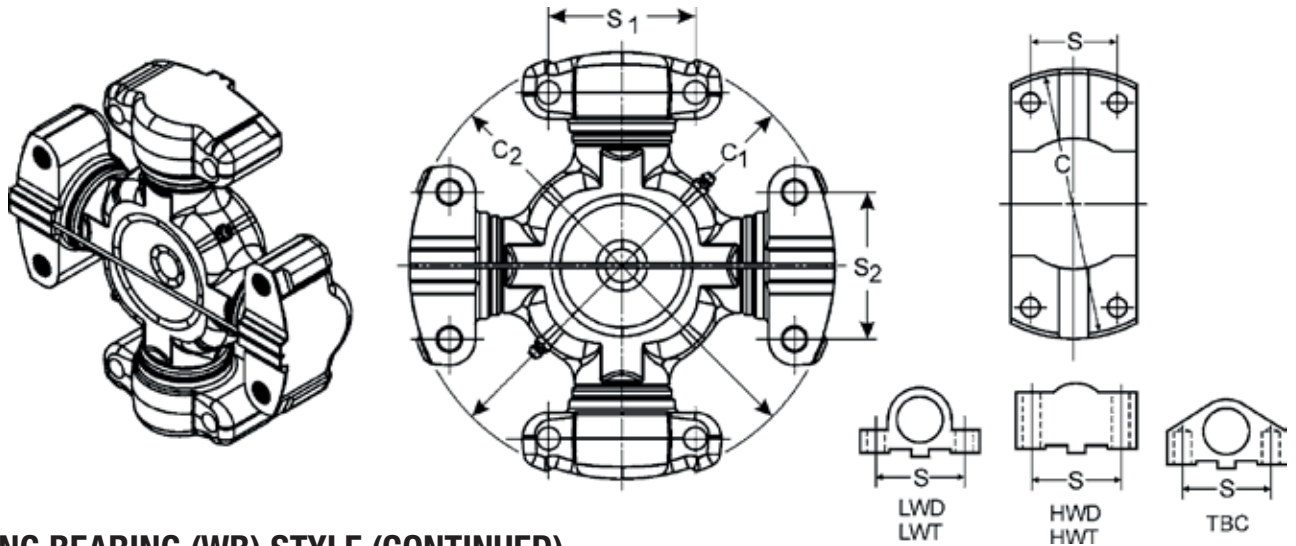


**WING BEARING (WB) STYLE (CONTINUED)**

C1	S1	WB1	C2	S2	WB2	OE Manufacturer	OE Series	Greasable Y=Yes N=No	Spicer Part #	Notes
Pilot Diameter	Centerline to Centerline	Cap Type	Pilot Diameter	Centerline to Centerline	Cap Type					
6.500	2.812	HWD	6.500	2.812	TBC	Spicer Italcardan	8.5C	Y	5-85115X	
6.500	2.812	HWD	6.500	2.812	HWD	Spicer Italcardan	8.5C	N	5-85211XM	Same as 5-85211X but metric bolts
8.125	1.938	LWT	8.125	1.938	LWT	Mechanics/ Rockwell	8C/82N	Y	5-8200X*	
8.125	1.938	TBC	8.125	1.938	HWD	Mechanics/ Rockwell	8C/82N	Y	5-8202X*	
8.125	1.938	HWD	8.125	1.938	HWD	Spicer Italcardan	8C/82N	N	050A64000*	050A64000 was replaced by 5-8211X; OEM kit; bolt part # 81530014, not included
8.125	1.938	HWD	8.125	1.938	HWD	Spicer Italcardan	8C/82N	N	5-8211X	
8.125	1.938	HWD	8.125	1.938	HWD	Mechanics/ Rockwell	8C/82N	Y	5-8105X*	5-8105X was replaced by 5-8111X
8.125	1.938	HWD	8.125	1.938	HWD	Spicer Italcardan	8C/82N	Y	050509000*	050509000 was replaced by 5-8111X; OEM kit; bolt part # 81530014, not included
8.125	1.938	HWD	8.125	1.938	HWD	Spicer Italcardan	8C/82N	Y	050509010†	050509010 will be replaced by 5-8111X when supply is exhausted; aftermarket kit; bolt part # 81530014, not included
8.125	1.938	HWD	8.125	1.938	HWD	Spicer Italcardan	8C/82N	Y	050A62000*	050A62000 was replaced by 5-8111X
8.125	1.938	HWD	8.125	1.938	HWD	Spicer Italcardan	8C/82N	Y	5-8111X	
8.250	2.812	HWD	8.250	2.812	HWD	Mechanics/ Rockwell	9C/92N	Y	5-9001X†	5-9001X will be replaced by 5-9111X when supply is exhausted
8.250	2.812	HWD	8.250	2.812	HWD	Mechanics/ Rockwell	9C/92N	Y	5-643X*	(2) 45° Zerks
8.250	2.812	HWT	8.250	2.812	HWD	Mechanics/ Rockwell	9C/92N	Y	5-9002X*	5-9002X was replaced by 5-9112X
8.250	2.812	HWD	8.250	2.812	HWT	Mechanics/ Rockwell	9C/92N	Y	5-9112X	
8.250	2.812	HWT	8.250	2.812	HWT	Mechanics/ Rockwell	9C/92N	Y	5-9000X*	5-9000X was replaced by 5-9122X
8.250	2.812	HWT	8.250	2.812	HWT	Spicer Italcardan	9C/92N	Y	5-9122X	

\* Part has been discontinued † Part is available until supply is exhausted ‡ Not sold separately

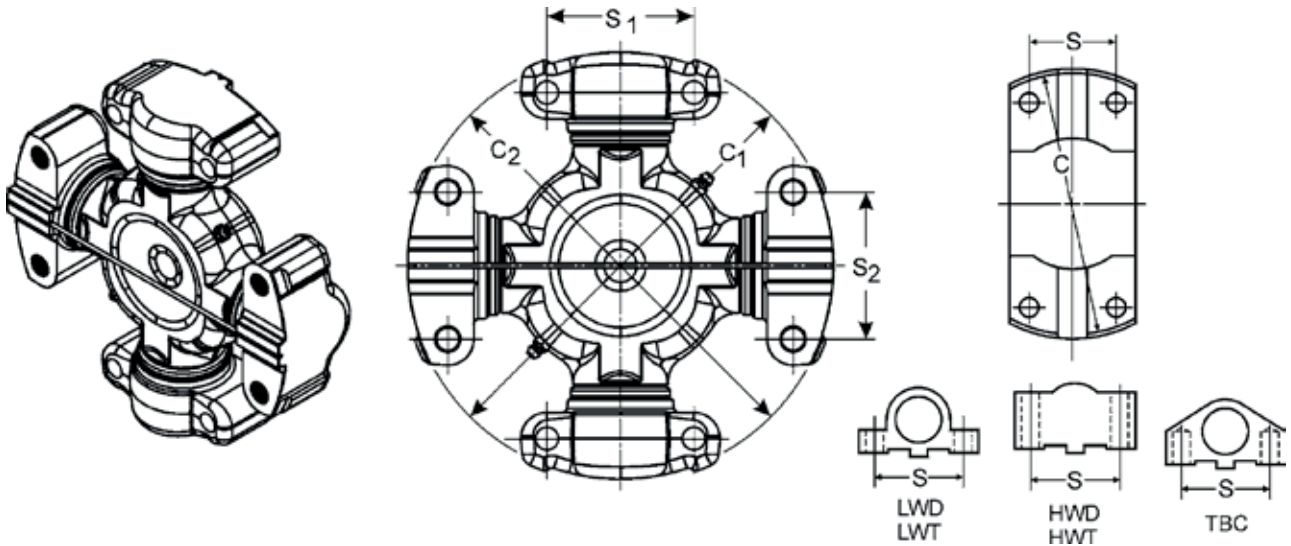




**WING BEARING (WB) STYLE (CONTINUED)**

C1 Pilot Diameter	S1 Centerline to Centerline	WB1 Cap Type	C2 Pilot Diameter	S2 Centerline to Centerline	WB2 Cap Type	OE Manufacturer	OE Series	Greasable	Spicer Part #	Notes
								Y=Yes N=No		
8.250	2.812	HWD	8.250	2.812	HWD	Spicer Italcardano	9C/92N	N	050427000*	050427000 was replaced by 5-9211X; OEM kit; bolt part # 81530015, not included
8.250	2.812	HWD	8.250	2.812	HWD	Spicer Italcardano	9C/92N	N	5-9211X	
8.250	2.812	HWD	8.250	2.812	HWD	Spicer Italcardano	9C/92N	Y	050231000*	050231000 was replaced by 5-9111X; OEM kit; 2 Zerk in cross
8.250	2.812	HWD	8.250	2.812	HWD	Spicer Italcardano	9C/92N	Y	5-9111X	
8.374	3.626	HWD	8.374	3.626	HWD	Spicer Italcardano	10C	N	050417000*	050417000 was replaced by 5-10211X or 5-10211XM
8.374	3.626	HWD	8.374	3.626	HWD	Spicer Italcardano	10C	N	050A53000*	050A53000 was replaced by 5-10211X or 5-10211XM; OEM kit; bolt part # 815300017, not included
8.374	3.626	HWD	8.374	3.626	HWD	Spicer Italcardano	10C	N	5-10211X	
8.374	3.626	HWD	8.374	3.626	HWD	Spicer Italcardano	10C	N	5-10211XM	Same as 5-10211X but metric bolts
8.374	3.626	HWD	8.374	3.626	HWD	Spicer Italcardano	10C	Y	050A58000	(2) 45° Zerk in cross
8.374	3.626	HWD	8.374	3.626	HWD	Spicer Italcardano	10C	Y	050242000†	050242000 will be replaced by 5-10111X when supply is exhausted; OEM kit; 2 Zerk in cross
8.374	3.626	HWD	8.374	3.626	HWD	Spicer Italcardano	10C	Y	050A52000*	050A52000 was replaced by 5-10111X
8.374	3.626	HWD	8.374	3.626	HWD	Spicer Italcardano	10C	Y	5-10111X	
8.750	3.500	HWD	8.750	3.500	HWD	TW Disc	J490	Y	5-10490X*	
8.750	3.500	HWD	8.750	3.500	HWD	Spicer Italcardano	11C	Y	050435000*	050435000 was replaced by 5-11111X; has 2 Zerk in cross
8.750	3.500	HWD	8.750	3.500	HWD	Spicer Italcardano	11C	Y	5-11111X	
8.750	3.500	HWD	8.750	3.500	HWD	Spicer Italcardano	11C	N	050A56000*	050A56000 was replaced by 5-11211X; OEM kit; bolt part # 815300004, not included
8.750	3.500	HWD	8.750	3.500	HWD	Spicer Italcardano	11C	N	5-11211X	
10.235	3.936	HWD	10.235	3.936	HWD	Spicer Italcardano	15C	Y	050523001*	050523001 was replaced by 5-15111X; has 2 Zerk in cross; OEM kit
8.750	3.500	HWD	8.750	3.500	HWD	Spicer Italcardano	11C	Y	050A55000*	050A55000 was replaced by 5-11111X; OEM kit; bolt part # 815300004, not included
10.235	3.936	HWD	10.235	3.936	HWD	Spicer Italcardano	15C	Y	5-15111X	
9.685	3.228	HWD	9.685	3.228	HWD	Spicer Italcardano	246-M210	Y	050781200*	Has 2 Zerk in cross; includes bolts
10.235	3.936	HWD	10.235	3.936	HWD	Spicer Italcardano	15C	N	050A69000*	050A69000 was replaced by 5-15211X

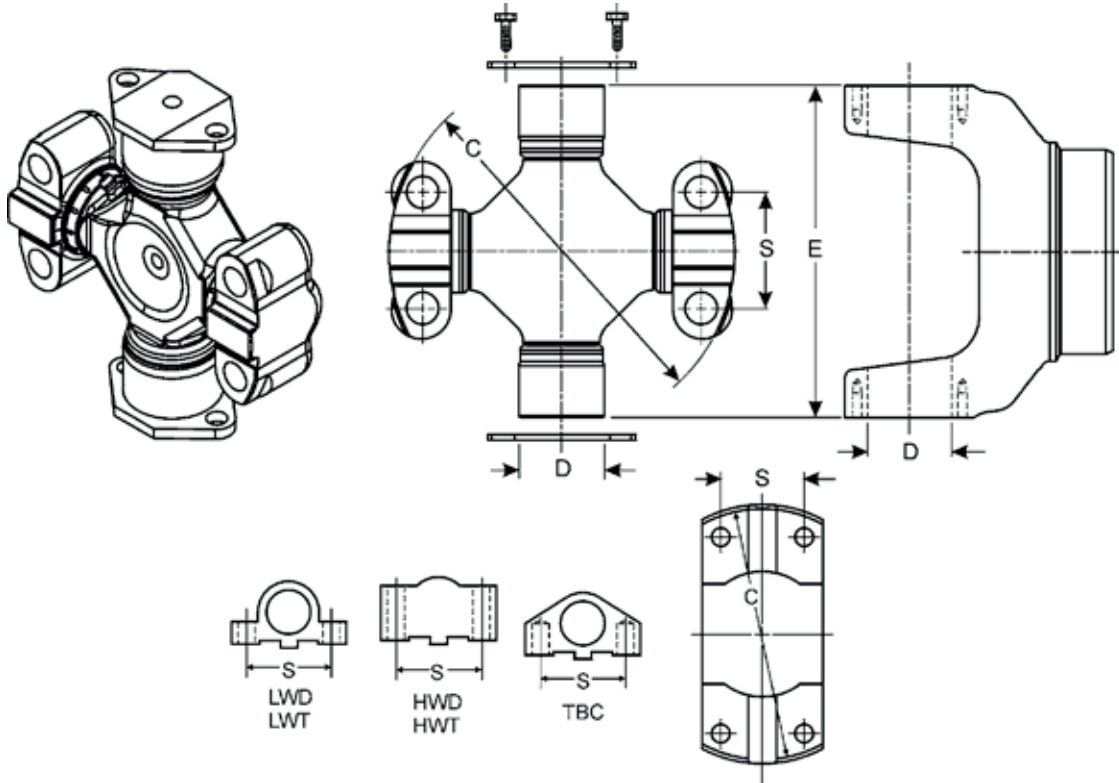
\* Part has been discontinued † Part is available until supply is exhausted ‡ Not sold separately



**WING BEARING (WB) STYLE (CONTINUED)**

C1 Pilot Diameter	S1 Centerline to Centerline	WB1 Cap Type	C2 Pilot Diameter	S2 Centerline to Centerline	WB2 Cap Type	OE Manufacturer	OE Series	Greasable	Spicer Part #	Notes
								Y=Yes N=No		
10.235	3.936	HWD	10.235	3.936	HWD	Spicer Italcardano	15C	N	5-15211X	
11.024	3.622	HWD	11.024	3.622	HWD	Spicer Italcardano	12.5C	Y	050518000*	050518000 was replaced by 5-125111X; OEM kit, 2 Zerks in cross
11.024	3.622	HWD	11.024	3.622	HWD	Spicer Italcardano	12.5C	Y	5-125111X	
11.374	3.326	HWD	11.374	3.326	HWD	Spicer Italcardano	12C	Y	050A89000*	050A89000 was replaced by 5-12111X; low temperature grease; bolt part # 815180001, not included
11.374	3.626	HWD	11.374	3.626	HWD	Spicer Italcardano	12C	Y	050A54000*	050A54000 was replaced by 5-12111X; has 2 Zerks in cross; OEM kit
11.374	3.626	HWD	11.374	3.626	HWD	Spicer Italcardano	12C	N	050111000*	050111000 was replaced by 5-12211X; OEM kit; bolt part # 815180001, not included
11.374	3.626	HWD	11.374	3.626	HWD	Spicer Italcardano	12C	Y	050A68000*	050A68000 was replaced by 5-12111X; (2) 90° Zerks in cross; OEM kit
11.374	3.626	HWD	11.374	3.626	HWD	Spicer Italcardano	12C	Y	5-12111X	
11.374	3.626	HWD	11.374	3.626	HWD	Spicer Italcardano	12C	N	050A84000*	050A84000 was replaced by 5-12211X
11.374	3.626	HWD	11.374	3.626	HWD	Spicer Italcardano	12C	N	5-12211X	
12.204	4.213	HWD	12.204	4.213	HWD	Spicer Italcardano	14.5C	N	050421000†	050421000 will be replaced by 5-145211X when supply is exhausted; OEM kit
12.204	4.213	HWD	12.204	4.213	HWD	Spicer Italcardano	14.5C	N	5-145211X	
13.339	5.310	HWD	13.339	5.310	HWD	Spicer Italcardano	14C	N	050101000*	050101000 was replaced by 5-14211X; bolt part # 81493001, not included
13.339	5.310	HWD	13.339	5.310	HWD	Spicer Italcardano	14C	Y	050A51000*	050A51000 was replaced by 5-14111X; OEM kit; dual Zerk in center of cross
13.339	5.310	HWD	13.339	5.310	HWD	Spicer Italcardano	14C	Y	050A85000*	050A85000 was replaced by 5-14111X; bolt part # 814930001, not included; Zerk in center of cross
13.339	5.310	HWD	13.339	5.310	HWD	Spicer Italcardano	14C	Y	5-14111X	
12.204	4.213	HWD	12.204	4.213	HWD	Spicer Italcardano	14.5C	Y	5-145111X	
13.339	5.310	HWD	13.339	5.310	HWD	Spicer Italcardano	14C	N	5-14211X	

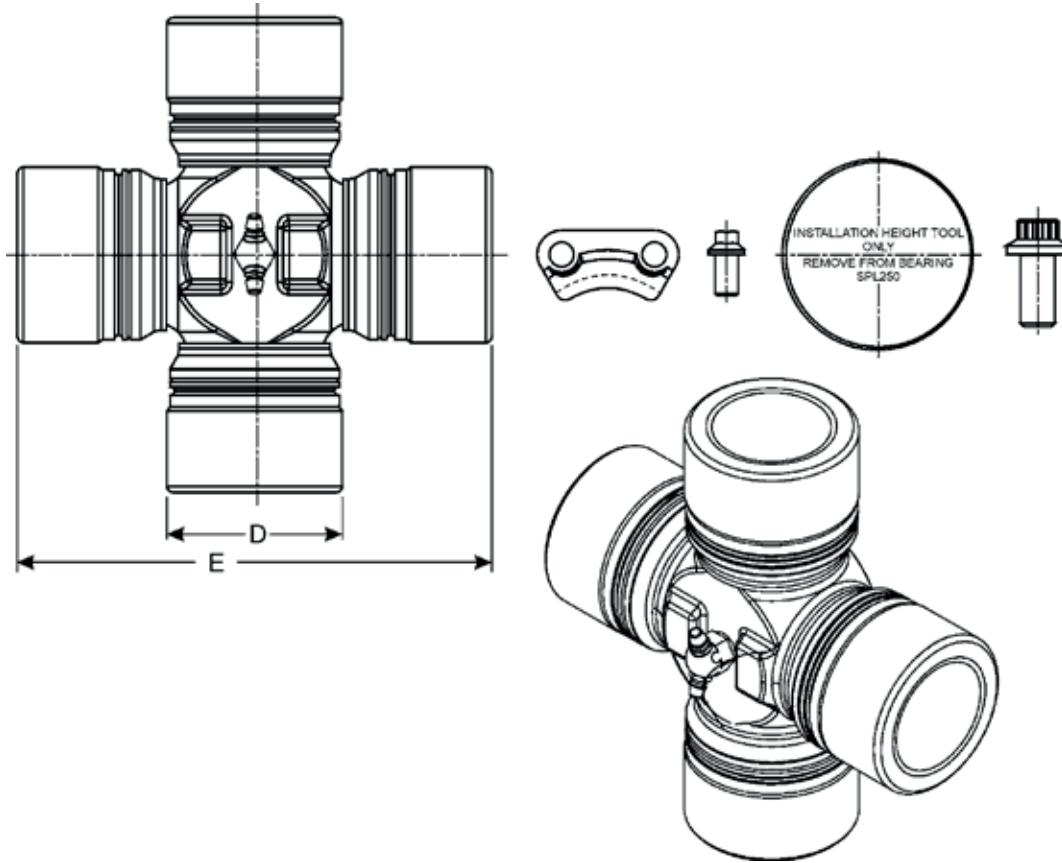
\* Part has been discontinued    † Part is available until supply is exhausted    ‡ Not sold separately



**BEARING PLATE/WING BEARING (BP/WB) STYLE**

E Between Caps	D Bearing Cap Diameter	C Pilot Diameter	S Between Holes	WB Cap Type	Converts		Greasable Y=Yes N=No	Spicer Part #	Notes
					From This Series	To This Series Part			
5.312	1.875	5.606	2.400	HWD	Bradley	1610	Y	5012401	Bradley Military Vehicle (painted)
5.312	1.875	5.606	2.400	HWD	Bradley	1610	Y	5-450X	Bradley Military Vehicle
6.094	1.938	6.375	2.438	HWD	1710	J210	Y	5-705X*	
6.094	1.938	6.500	2.812	HWD	1710	8.5C/85WB	Y	5-704X*	
7.547	1.938	8.250	2.812	LWT	1810	9C/92N	Y	5-696X*	
7.547	1.938	8.250	2.812	HWD	1810	9C/92N	Y	5-727X*	5-727X was replaced by 5-324X
7.547	1.938	8.250	2.812	HWD	1810	9C/92N	Y	5-324X	
8.094	2.188	8.250	2.812	HWD	1880	9C/92N	Y	5-326X	
8.094	2.188	8.250	2.812	HWT	1880	9C/92N	Y	5-327X	
8.094	2.188	8.250	2.812	HWD	1880	9C/92N	Y	5-642X	(2) 45° Zerks

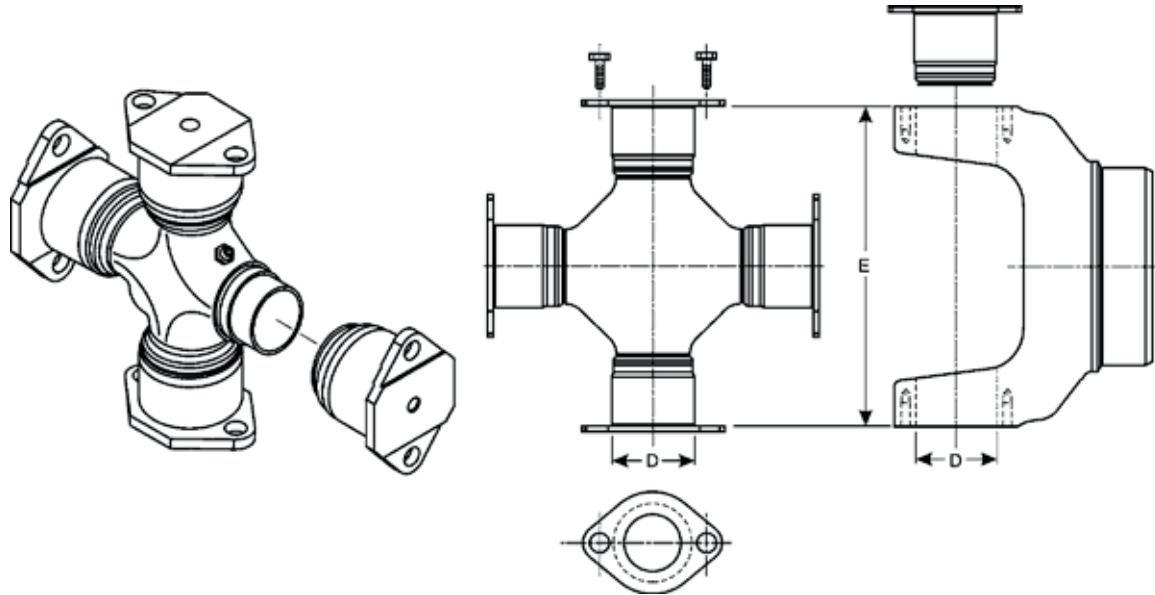
\* Part has been discontinued † Part is available until supply is exhausted ‡ Not sold separately



**SPICER LIFE SERIES™ (SPL) STYLE (SPRING TAB STYLE)**

E Over Caps (mm)	E Over Caps (std)	D Bearing Cap Diameter (mm)	D Bearing Cap Diameter (std)	OE Manufacturer	OE Series	Greasable	Spicer Part #	Notes
						Y=Yes N=No		
138.71	5.461	49.20	1.937	Spicer	SPL140	Y	SPL140X	
164.00	6.456	55.00	2.165	Spicer	SPL170	Y	SPL170-3X*	SPL170-3X was replaced by SPL170-4X
164.00	6.456	55.00	2.165	Spicer	SPL170	Y	SPL170X*	SPL170X was replaced by SPL170-4X
164.00	6.456	55.00	2.165	Spicer	SPL170	Y	SPL170-4X	
164.00	6.456	55.00	2.165	Spicer	SPL170	N	SPL170-SF4X	
163.00	6.417	60.00	2.362	Spicer	SPL250	Y	SPL250X*	SPL250X was replaced by SPL250-3X
163.00	6.417	60.00	2.362	Spicer	SPL250	Y	SPL250-3X	
163.00	6.417	60.00	2.362	Spicer	SPL250	N	SPL250-SF3X	

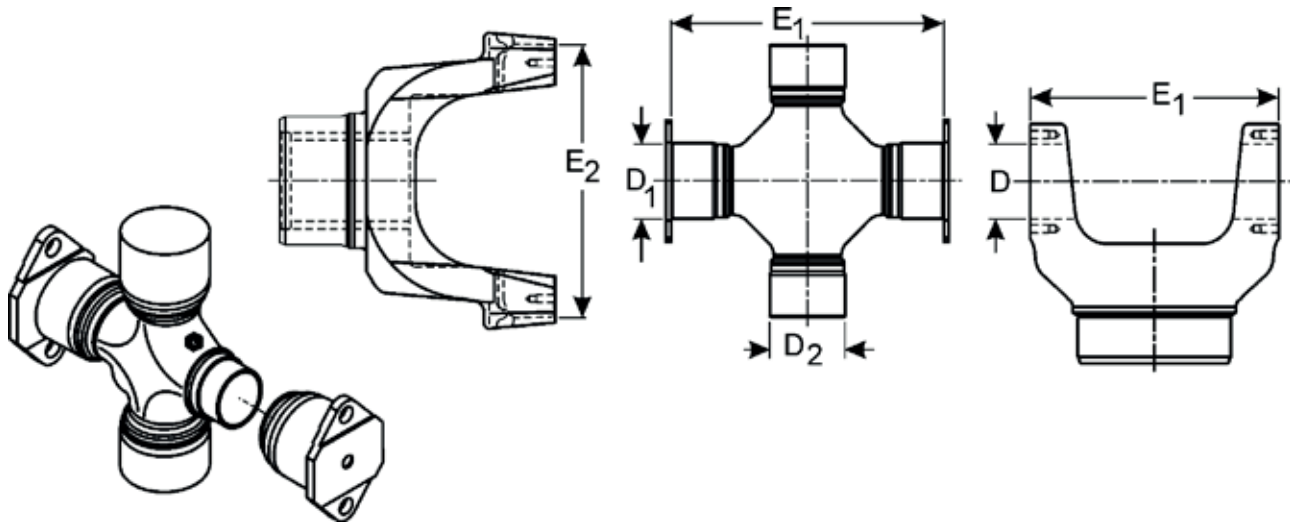
\* Part has been discontinued † Part is available until supply is exhausted ‡ Not sold separately



**BEARING PLATE (BP) STYLE**

E Between Caps	D Bearing Cap Diameter	OE Manufacturer	OE Series	Greasable	Spicer Part #	Spicer Select Part #	Notes
				Y=Yes N=No			
4.562	1.562	Spicer	1500	Y	5-115X*		5-115X was replaced by 5-3252X
4.562	1.562	Spicer	1500	Y	5-3252X		
5.312	1.875	Spicer	1610	Y	5-279X		
5.312	1.875	Spicer	1610	Y		25-279X	Spicer® Select
6.094	1.938	Spicer	1710	Y	5-280-4X*		4 lube fittings in journal
6.094	1.938	Spicer	1710	Y	5-280X		
6.094	1.938	Spicer	1710	Y		25-280X	Spicer® Select
6.594	2.321	Spicer	1800	Y	5-124X*		
7.000	1.938	Spicer	1760	Y	5-407X		
7.000	1.938	Spicer	1760	Y		25-407X	Spicer® Select
7.547	1.938	Spicer	1810	Y	5-281-4X*		Has 4 Zerks in cross
7.547	1.938	Spicer	1810	Y	5-281X		
8.094	2.188	Spicer	1880	Y	5-308X		
8.781	2.812	Spicer	1900	Y	5-54X*		Has 4 bolt holes in bearing plate

\* Part has been discontinued † Part is available until supply is exhausted ‡ Not sold separately

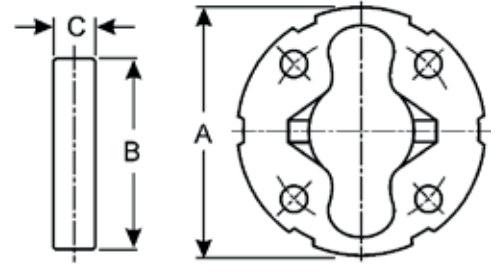
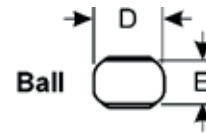
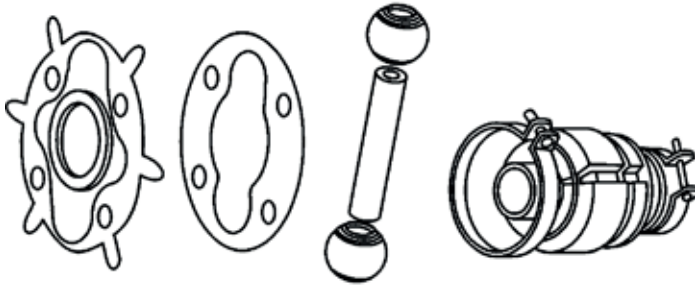


**HALF ROUND (HR) STYLE**

E1 Between Caps	D1 Bearing Cap Diameter	E2 Over Bearing Caps	D2 Bearing Cap Diameter	OE Manufacturer	OE Series	Greasable	Spicer Part #	Spicer Select Part #	Notes
						Y=Yes N=No			
5.312	1.875	5.312	1.875	Spicer	1610	N	5001247		Has 2 plugs in place of the Zerks
5.312	1.875	5.312	1.875	Spicer	1610	N	5-610X*		
5.312	1.875	5.312	1.875	Spicer	1610	Y	5-777X		Same as 5-674X w/o strap kit
5.312	1.875	5.312	1.875	Spicer	1610	Y	5-585XM		Metric bolts w/ lock strap; grease Zerk in center of cross
5.312	1.875	5.312	1.875	Spicer	1610	Y	5-438X*		5-438X was replaced by 5-674X
5.312	1.875	5.312	1.875	Spicer	1610	Y	5-674X		Includes strap kit
5.312	1.875	5.312	1.875	Spicer	1610	Y		25-674X	Spicer® Select
5.312	1.875	5.312	1.875	Spicer	1610	Y	5-423X		Grease Zerk in center of cross
6.094	1.938	6.094	1.938	Spicer	1710	Y	5-746X		Includes metric bolts used on bearing cap
6.094	1.938	6.094	1.938	Spicer	1710	Y	5-773X		Same as 5-675X but uses/includes strap with metric bolts
6.094	1.938	6.094	1.938	Spicer	1710	Y	5-515X*		5-515X was replaced by 5-675X
6.094	1.938	6.094	1.938	Spicer	1710	Y	5-671X†		5-671X will be replaced by 5-675X when supply is exhausted; thrustwashers in bearing cap
6.094	1.938	6.094	1.938	Spicer	1710	Y	5-675X		Includes strap kit
6.094	1.938	6.094	1.938	Spicer	1710	Y		25-675X	Spicer® Select
7.000	1.938	7.000	1.938	Spicer	1760	Y	5-469X*		5-469X was replaced by 5-677X
7.000	1.938	7.000	1.938	Spicer	1760	Y	5-677X		Includes strap kit
7.000	1.938	7.000	1.938	Spicer	1760	Y		25-677X	Spicer® Select
7.547	1.938	5.547	1.938	Spicer	1810	Y	5-510X*		5-510X was replaced by 5-676X
7.547	1.938	7.547	1.938	Spicer	1810	Y	5-676X		Includes strap kit

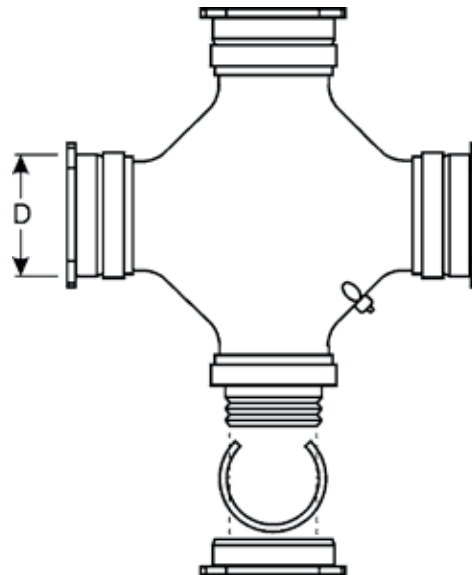
\* Part has been discontinued † Part is available until supply is exhausted ‡ Not sold separately

**Without Body**



**POT (POT) STYLE**

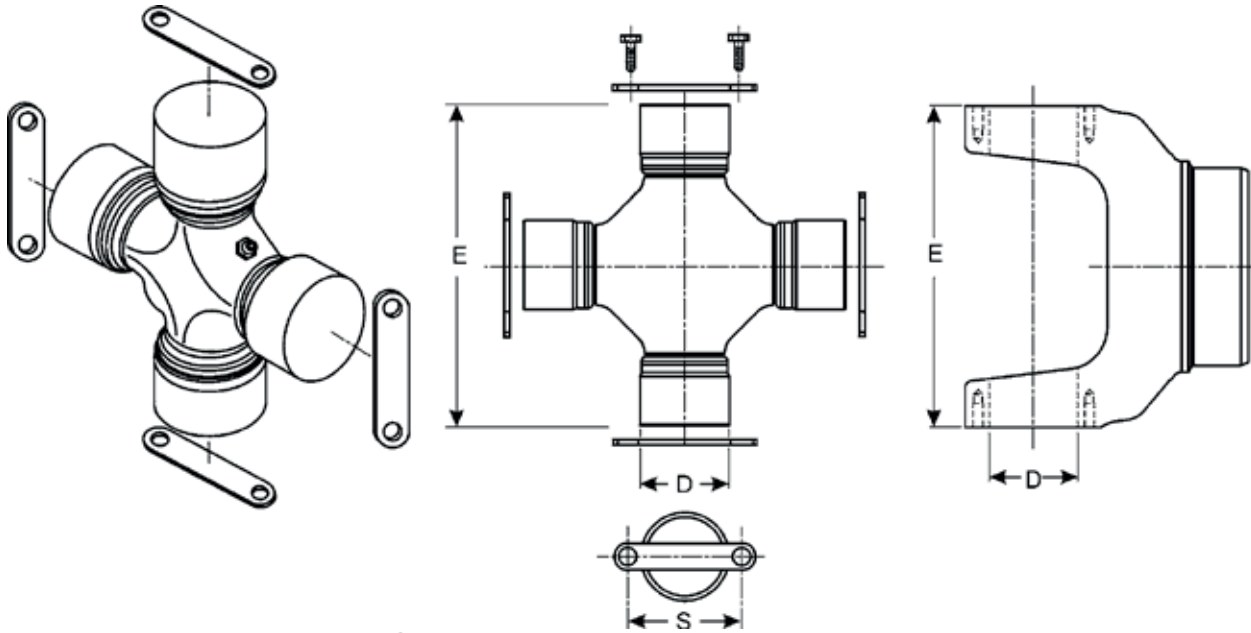
A	B	C	D	E	Spicer Part #
Flange Diameter	Pin Length	Pin Diameter	Ball Diameter	Ball Thickness	
3.625	2.969	0.562	1.031	0.6090	5-1407X*
4.000	2.875	0.562	1.031	0.6090	5-1405X*



**THREADED CAP (THDCAP) STYLE**

Over Caps	D	Thread Size	OE Series	Greasable	Spicer Part #
	Bearing Cap Diameter			Y=Yes N=No	
2.934	1.125	0.938-20	Chev	Y	5-3031X*

\* Part has been discontinued † Part is available until supply is exhausted ‡ Not sold separately



**THREADED PLATE (THDPLT) STYLE**

E Over Caps	D1 Bearing Cap Diameter	S Bolt Hole C-Line to C-Line	OE Manufacturer	OE Series	Greasable	Spicer Part #	Notes
					Y=Yes N=No		
4.188	1.375	1.750	Cleveland	D56	Y	5-1214X*	5-1214X was replaced by 5-3260-1X; bearing plates not supplied with kit
4.188	1.375	1.750	Cleveland	D56-55-2	Y	5-3260-1X	
4.965	1.375	1.750	Cleveland	U56-55-2	Y	5-3261X	

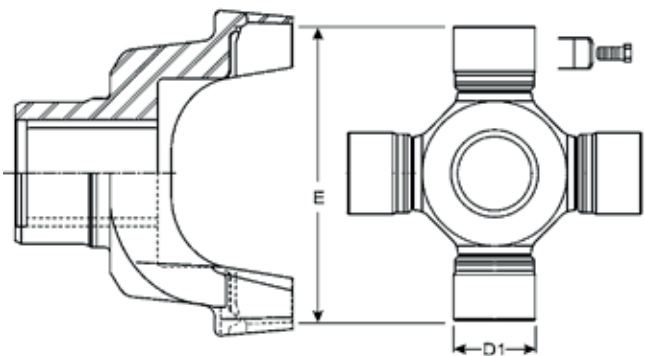


Figure 1

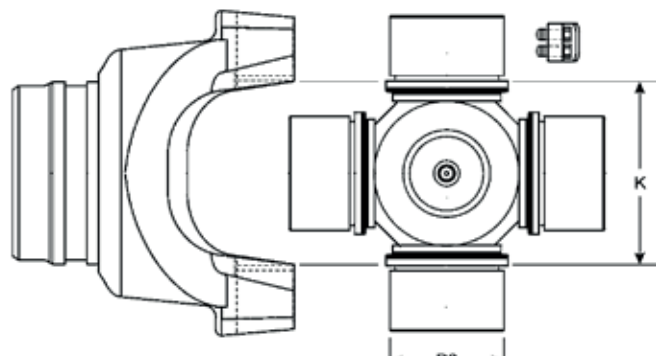


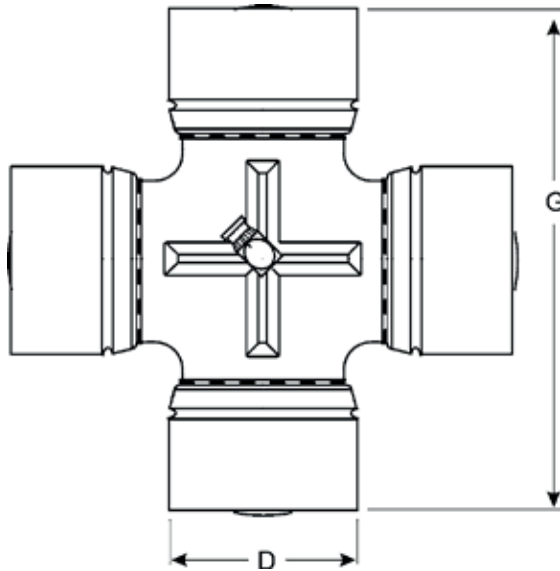
Figure 2

**CAP AND BOLT (CB) STYLE REPLACEMENT KITS**

Figure 1		Figure 2		OE Manufacturer	OE Series	Greasable	Spicer Part #
E	D1	K	D2			Y=Yes N=No	
Over Caps	Bearing Cap Diameter	Bolt Hole C-Line to C-Line	Bearing Cap Diameter				
		5.665	2.565	Spicer	1910	Y	5-316X*
10.046	3.062			Spicer	1950	Y	5-339X*
12.343	3.812			Spicer	2050	Y	5-340X*

\* Part has been discontinued † Part is available until supply is exhausted ‡ Not sold separately





**OUTSIDE SNAP RING (OSR) STYLE GWB REPLACEMENT KITS**

G Over Caps	D Bearing Cap Diameter	OE Manufacturer	OE Series
1.614	0.591	Spicer GWB	473.10
1.937	0.748	Spicer GWB	473.20
1.976	0.866	Spicer GWB	373.20
2.323	0.866	Spicer GWB	473.30
2.409	0.937	Spicer GWB	687.10
2.748	1.024	Spicer GWB	287.00
2.933	1.063	Spicer GWB	687.15
3.220	1.181	Spicer GWB	287.10
3.220	1.189	Spicer GWB	687.20
3.622	1.374	Spicer GWB	687.25
3.811	1.378	Spicer GWB	287.20
3.811	1.378	Spicer GWB	587.10
4.114	1.654	Spicer GWB	587.15
4.165	1.496	Spicer GWB	387.20
4.198	1.374	Spicer GWB	687.30
4.587	1.890	Spicer GWB	587.20

G Over Caps	D Bearing Cap Diameter	OE Manufacturer	OE Series
4.701	1.654	Spicer GWB	687.35
4.913	1.732	Spicer GWB	287.30
5.236	2.047	Spicer GWB	587.30
5.322	1.874	Spicer GWB	687.40
5.669	2.244	Spicer GWB	587.35
5.745	2.047	Spicer GWB	687.45
5.984	2.244	Spicer GWB	687.55
5.987	2.244	Spicer GWB	587.42
6.024	1.969	Spicer GWB	287.40
6.457	2.165	Spicer GWB	387.40
6.602	2.323	Spicer GWB	687.60
6.772	2.559	Spicer GWB	687.65
6.772	2.559	Spicer GWB	587.48
7.283	2.835	Spicer GWB	587.50
8.534	2.913	Spicer GWB	587.55
9.110	3.267	Spicer GWB	587.60

*If you would like more information on GWB driveshafts, visit [www.gwbdriveshaft.com](http://www.gwbdriveshaft.com), [www.dana.com](http://www.dana.com), or call 1.800.621.8084.*

\* Part has been discontinued † Part is available until supply is exhausted ‡ Not sold separately



Obsolete Part #	Series/Model	Status	Replaced By (Where Applicable)
050021000	2C	Obsolete	No replacement
050101000	14C	Superseded	5-14211X
050111000	12C	Superseded	5-12211X
050138000	6C	Superseded	5-6111X
050138010	6C	Superseded	5-6111X
050223000	6C	Superseded	5-6111X
050231000	9C	Superseded	5-9111X
050232	14.5C	Superseded	5-145111X
050232000	14.5C	Superseded	5-145111X
050238000	2C	Obsolete	No replacement
050239000	2C	Obsolete	No replacement
050239010	2C	Obsolete	No replacement
050242000	10C	Superseded	5-10111X
050242020	10C	Superseded	050A58000
050246000	8.5C	Superseded	5-85111X
050261000	8.5C	Superseded	5-85111X
050273000	6C	Superseded	5-6211X
050280000	7C	Obsolete	5-7211X or 5-7211XM50 or 5-7211XM55
050281000	8.5C	Obsolete	5-85211X or 5-85211XM
050370000	5C	Obsolete	5-5211X or 5-5211XM
050380000	6C	Superseded	5-6111X
050417000	10C	Obsolete	5-10211X or 5-10211XM
050421000	14.5C	Superseded	5-145211X
050427000	9C	Superseded	5-9211X
050435000	11C	Superseded	5-11111X
050509000	8C	Superseded	5-8111X
050509010	8C	Superseded	5-8111X
050518	12.5C	Superseded	5-125111X
050518000	12.5C	Superseded	5-125111X
050523001	15C	Superseded	5-15111X
050734010	4C	Superseded	5-4144X
050742000	4C	Superseded	5-4111X
050742010	4C	Superseded	5-4111X
050742020	4C	Superseded	5-4211X
050776010	5C	Superseded	5-5111X
050776020	5C	Superseded	5-5111X
050781200	11.5C	Obsolete	No replacement
050915000	7C	Superseded	5-7111X
050915010	7C	Superseded	5-7111X
050964000	8.5C	Superseded	5-85133X
050A48010	2C	Obsolete	No replacement
050A51000	14C	Superseded	5-14111X
050A52000	10C	Superseded	5-10111X
050A53000	10C	Obsolete	5-10211X or 5-10211XM
050A54000	12C	Superseded	5-12111X
050A55000	11C	Superseded	5-11111X
050A56000	11C	Superseded	5-11211X
050A62000	8C	Superseded	5-8111X
050A64000	8C	Superseded	5-8211X
050A68000	12C	Superseded	5-12111X
050A69000	15C	Superseded	5-15211X
050A84000	12C	Superseded	5-12211X
050A85000	14C	Superseded	5-14111X
050A89000	12C	Superseded	5-12111X
15-103X	1000	Obsolete	No replacement
15-1306X	7260	Obsolete	No replacement

Obsolete Part #	Series/Model	Status	Replaced By (Where Applicable)
15-1309X	7290	Obsolete	No replacement
15-308X	1880	Obsolete	No replacement
15-326X	1880/9C	Obsolete	No replacement
4519302	1310	Superseded	5-3204X
5001919	SPL25	Superseded	5-1330-1X
5002322	1310	Superseded	5-1310X
5003096	1310	Superseded	5-1330X
5003097	1330/3R	Superseded	5-793X
5004891	1350WJ	Superseded	5-7166X
5004947	1330	Superseded	5-1330X
5009484	1350	Superseded	5-1350X
5009485	1350	Superseded	5-1350-1X
5012578	1350	Superseded	5-1350X
5013613	1310	Superseded	5-3613X
5013614	1330	Superseded	5-3614X
5013615	1350	Superseded	5-3615X
5013616	1410	Superseded	5-3616X
5017166	1350WJ	Superseded	5-7166X
5017436	1330/S44	Superseded	5-793X
5018811	1310	Superseded	5-3200X
5018812	BMW/Mazda	Superseded	5-3201X
5018813	1310	Superseded	5-3202X
5018814	1310	Superseded	5-3203X
5018815	S44/1350	Superseded	5-3205X
5019187	1350	Superseded	5-1350X
5-102X	1100SG	Obsolete	No replacement
5-111X	1100	Superseded	5-101X
5-115X	1500	Superseded	5-3252X
5-1201X	S55	Superseded	5-7439X
5-1202X	S55	Obsolete	No replacement
5-1205X	R55	Superseded	5-3250X
5-1206X	1410	Superseded	5004989
5-1214X	Clev.D56	Superseded	5-3260-1X
5-121X	1260	Superseded	5-153X
5-121XU	1310	Superseded	5-153X
5-122X	1310	Superseded	5-153X
5-124X	1800	Obsolete	No replacement
5-125X	1260	Superseded	5-810X
5-1300X	5160	Superseded	5-3251X
5-1304X	7260	Obsolete	No replacement
5-1306-1X	7260	Superseded	5-789X
5-1306X	7260	Superseded	5-789X
5-1306XS	7260	Superseded	5-789X
5-1307X	7260	Superseded	5-789X
5-130X	1330	Superseded	5-213X
5-1312X	1330F-3R3	Superseded	5-3255X
5-132X	1310	Superseded	5-153X
5-138X	1310/1330	Superseded	5-134X
5-1404X	Det Pot	Obsolete	No replacement
5-1405X	Det Pot	Obsolete	No replacement
5-1407X	Det Pot	Obsolete	No replacement
5-1507X	Ford/Maz	Superseded	5-3216X
5-150X	1310/3R	Superseded	5-3022-1X
5-1510-1X	Toyota	Superseded	5-1510X
5-1520X	2.5R	Superseded	5-3219-1X
5-153X25	1310	Superseded	5-153X
5-158X	1550	Superseded	SPL70-1X
5-163X	1310	Superseded	5-153X
5-17166X	1350WJ	Superseded	5-7166X
5-171X	1710	Superseded	5-280X
5-177X	1710	Superseded	5-280X
5-181X	1100	Superseded	5-101X

Obsolete Part #	Series/Model	Status	Replaced By (Where Applicable)
5-185X	1850	Obsolete	No replacement
5-186X	1850/92N	Obsolete	No replacement
5-187X	1880	Obsolete	No replacement
5-2000X	2C	Superseded	5-2031X
5-2002X	2C	Obsolete	No replacement
5-2007X	2C	Superseded	5-3242X
5-200X	1310	Superseded	5-153X
5-2011X	2R	Superseded	5-3242X
5-2033X	2C	Obsolete	No replacement
5-213-X	1330	Superseded	5-213X
5-214X	1410	Superseded	5-160X
5-220X	1550/6C	Superseded	6C-5X
5-221X	1550/6C	Superseded	6C-3X
5-229X	1330	Superseded	5-1330X
5-230X	1330	Superseded	5-213X
5-231X	3RL/1330	Superseded	5-212X
5-233X	1710	Superseded	5-280X
5-249X	1110/1210	Superseded	5-248X
5-251X	1280	Superseded	5-810X
5-252X	1310	Superseded	5-1310X
5-2530X	1310/2.5R	Superseded	5-3247X
5-254X	3RL/1330	Superseded	5-212X
5-255X	1310	Superseded	5-1310-1X
5-256X	1310	Superseded	5-153X
5-260-1X	1310	Superseded	5-260X
5-262X	1410	Superseded	5-1410-1X
5-263X	1480	Superseded	5-188X
5-269X	1100	Obsolete	No replacement
5-273X	1310	Superseded	5-213X
5-275X	1550	Superseded	SPL70-1X
5-278X	1310	Superseded	5-153X
5-282X	1350	Superseded	5-1350X
5-283X	1310	Superseded	5-1310X
5-296X	1350	Superseded	5-1350X
5-297-1X	1310	Superseded	5-3226X
5-297X	1310WJ	Superseded	5-760X
5-3000X	3C	Superseded	5-3144X
5-3012X	S44/3CRL	Superseded	5-3264X
5-3022X	1310/3R	Superseded	5-3022-1X
5-3031X	3R-CV	Obsolete	No replacement
5-303X	1550/6C	Superseded	6C-3X
5-304X	1550	Superseded	5-155X
5-305X	1410	Superseded	5004989
5-306X	1710	Superseded	5-280X
5-315X	1210	Superseded	5-443X
5-3163X	7290/S44	Obsolete	No replacement
5-316X	1910	Obsolete	No replacement
5-319X	1480	Superseded	SPL55-1X
5-325X	1550	Superseded	SPL70X
5-331X	1650/7C	Obsolete	No replacement
5-332X	1480	Superseded	SPL55-3X
5-338X	1880/9C	Superseded	5-326X
5-339X	1850	Obsolete	No replacement
5-340X	2050	Obsolete	No replacement
5-344X	1310/1330	Superseded	5-134X
5-347X	1480/5C	Superseded	5C-3X
5-348X	1480/5C	Superseded	5C-5X
5-350X	1310	Obsolete	5-3254X
5-353X	1310/7260	Superseded	5-788X
5-354X	1310/7290	Superseded	5-3222X
5-372X	193	Obsolete	No replacement
5-373AX	2210	Obsolete	No replacement

Obsolete Part #	Series/Model	Status	Replaced By (Where Applicable)
5-373X	2210	Obsolete	No replacement
5-4002X	4C	Superseded	5-4144X
5-4014X	4C	Obsolete	No replacement
5-4015X	4R	Obsolete	No replacement
5-4016X	4C	Obsolete	No replacement
5-409X	1330	Superseded	5-7438X
5-4140X	4C	Superseded	5-4112X
5-4143X	4C	Superseded	5-4111X
5-418X	1480/5C	Superseded	5C-3X
5-419X	1310	Superseded	5-153X
5-429X	1410	Obsolete	No replacement
5-432X	55N	Superseded	5-3225X
5-433-1X	1310	Superseded	5-1310-1X
5-438X	1610	Superseded	5-674X
5-447X	1350	Superseded	5-3615X
5-456X	1210WJ	Superseded	5-3215X
5-461X	1710	Superseded	5-675X
5-462X	1410	Superseded	5-1410-1X
5-467X	1310	Superseded	5-3613X
5-469X	1760	Superseded	5-677X
5-471X	1350	Superseded	5-1350-1X
5-477X	1310	Superseded	5-153X
5-479X	1330	Superseded	5-213X
5-480X	1350	Superseded	5-178X
5-481X	1410	Superseded	5-160X
5-482X	1480	Superseded	5-188X
5-483X	1550	Superseded	5-155X
5-485X	1480	Superseded	5-188X
5-4X	1300	Superseded	5-3214X
5-5000X	5C	Obsolete	No replacement
5-5008X	5C	Obsolete	No replacement
5-510X	1810	Superseded	5-676X
5-511X	1310	Superseded	5-153X
5-515X	1710	Superseded	5-675X
5-5177X	5C	Superseded	5-5111X
5-517X	1330	Superseded	5-1330X
5-521X	1330	Superseded	5-3614X
5-523X	1550	Superseded	5-275X
5-526X	1210	Superseded	5-443X
5-527X	7260/7290	Superseded	5-3244X
5-529X	1310	Superseded	5-1310X
5-541X	1330/3R	Superseded	5-793X
5-542X	1350	Superseded	5-1350-1X
5-543X	1550	Superseded	5-155X
5-544X	1310/3R	Obsolete	No replacement
5-546X	1550	Obsolete	No replacement
5-547X	1210	Superseded	5-443X
5-54X	1900	Obsolete	No replacement
5-565X	1590	Superseded	SPL100-1X
5-5800X	58WB	Obsolete	No replacement
5-584X	1350	Superseded	5-178X
5-589X	7260	Obsolete	No replacement
5-599X	1330/7260	Superseded	5-3246X
5-6000X	6C	Obsolete	No replacement
5-6102X	6C	Obsolete	No replacement
5-6106X	6C	Superseded	5-6111X
5-6108X	6C/7C	Obsolete	No replacement
5-6109X	6C/7C	Obsolete	No replacement
5-6110X	6C	Superseded	5-6111X
5-611-1X	1310	Obsolete	No replacement
5-617X	1350	Superseded	5-3615X
5-618X	1330	Superseded	5-1330X



Obsolete Part #	Series/Model	Status	Replaced By (Where Applicable)
5-619X	1330/S44	Superseded	5-793X
5-620X	1330	Superseded	5-3614X
5-621X	1330/S44	Superseded	5-793X
5-624X	2C	Obsolete	No replacement
5-625X	1310	Superseded	5-1310X
5-626X	1310	Superseded	5-3613X
5-627X	1350	Superseded	5-1350X
5-631X	1330 Alum	Superseded	5-3614X
5-632X	1310SPEC	Superseded	5-7439X
5-633X	1330	Superseded	5-7438X
5-634X	1310/7260	Superseded	5-788X
5-635X	1330/7290	Superseded	5-7437X
5-636X	7290	Superseded	5-811X
5-637X	1330/7290	Superseded	5-7437X
5-641X	1410	Superseded	5-1410X
5-643X	9C/92N	Obsolete	No replacement
5-647X	1310/7260	Obsolete	No replacement
5-671X	1710	Superseded	5-675X
5-672X	1330/7290	Superseded	5-7437X
5-688X	1330/3C	Obsolete	No replacement
5-689X	1330/3C	Obsolete	No replacement
5-696X	1810/9C	Obsolete	No replacement
5-7000X	7C	Obsolete	No replacement
5-7105X	7C	Superseded	5-7111X
5-718X	S55	Obsolete	No replacement
5-7202X	7C	Superseded	5-7115X
5-7206X	7C	Superseded	5-7115X
5-720X	1330/7260	Superseded	5-3246X
5-721X	1310/Toy	Obsolete	No replacement
5-722X	1410	Superseded	5-1410X
5-723X	1350	Superseded	5-1350X
5-724X	1350 Alum	Superseded	5-3615X
5-726X	1410	Superseded	5-3616X
5-727X	1810/9C	Superseded	5-324X
5-732X	SPL55WJ	Superseded	SPL55-3X
5-733X	SPL55	Superseded	SPL55-4X
5-737X	S44	Superseded	5-795X
5-739X	1410	Superseded	5-1410-1X
5-742X	1330	Superseded	5-1330X
5-7436X	1330/S44	Superseded	5-793X
5-744X	1330	Superseded	5-793X
5-745X	1330	Superseded	5-793X
5-749X	1330/7290	Superseded	5-7437X
5-74X	1310	Superseded	5-260X
5-754X	1330	Superseded	5-811X
5-755X	SPL6	Obsolete	No replacement
5-761X	1410/4C	Superseded	5-345X
5-778X	1550	Superseded	SPL70-1X
5-781X	2C	Obsolete	No replacement
5-785X	1310	Superseded	5-1310X
5-786X	1310	Superseded	5-3613X
5-787X	1310SPEC	Superseded	5-7439X
5-790X	1330	Superseded	5-1330X
5-791X	1330 Alum	Superseded	5-3614X
5-792X	1330-F	Superseded	5-7438X
5-794X	1330/S44	Superseded	5-793X
5-796X	1330/7290	Superseded	5-7437X
5-797X	SPL25	Superseded	5-7437X
5-799X	1350	Superseded	5-1350X
5-800X	1350 Alum	Superseded	5-3615X
5-801X	1410	Superseded	5-1410X
5-802X	1410	Superseded	5-3616X

Obsolete Part #	Series/Model	Status	Replaced By (Where Applicable)
5-803X	1480	Superseded	SPL55X
5-804X	1480	Superseded	SPL55-1X
5-806X	1480WJ	Superseded	SPL55-3X
5-807X	1480WJ	Superseded	SPL55-4X
5-808X	1550	Superseded	SPL70X
5-809X	1550	Superseded	SPL70-1X
5-8105X	8C	Superseded	5-8111X
5-810X	1310	Superseded	5-1310-1X
5-812X	1330	Superseded	5-1330-1X
5-8200X	8C	Obsolete	No replacement
5-8202X	8C	Obsolete	No replacement
5-86X	1350	Superseded	5-1350X
5-88X	1480	Superseded	SPL55-3X
5-9000X	9C	Superseded	5-9122X
5-9001X	9C	Superseded	5-9111X
5-9002X	9C	Superseded	5-9112X
5C-1X	5C	Superseded	5-5111X
600001051	6C	Obsolete	No replacement
6C-1X	6C	Superseded	5-6111X
6C-2X	1550/6C	Obsolete	No replacement
6C-9X	6C	Obsolete	No replacement
7.687.65.06.00.210	SPL350	Superseded	SPL350X
7.687.65.06.00.220	SPL350	Superseded	SPL350SFX
7C-1X	7C	Superseded	5-7111X
7CX	7C	Superseded	5-7211X
SPL100X	SPL100	Superseded	SPL100-1X
SPL170-1X	SPL170	Superseded	SPL170-4X
SPL170-3X	SPL170	Superseded	SPL170-4X
SPL170X	SPL170	Superseded	SPL170-4X
SPL22-1X	SPL22	Superseded	5-1310X
SPL22-2X	SPL22	Superseded	5-3613X
SPL22-3X	SPL22	Superseded	5-7439X
SPL22-4X	SPL22	Superseded	5-788X
SPL22-6X	SPL22	Superseded	5-1310X
SPL22-7X	SPL22	Superseded	5-1310-1X
SPL22-8X	7260	Superseded	5-789X
SPL250-1X	SPL250	Superseded	SPL250-3X
SPL250X	SPL250	Superseded	SPL250-3X
SPL25-10X	SPL25	Superseded	5-1330-1X
SPL25-1X	SPL25	Superseded	5-1330X
SPL25-2X	SPL25	Superseded	5-3614X
SPL25-3X	SPL25	Superseded	5-7438X
SPL25-4X	SPL25	Superseded	5-793X
SPL25-5X	SPL25	Superseded	5-793X
SPL25-6X	1330/S44	Superseded	5-795X
SPL25-7X	SPL25	Superseded	5-7437X
SPL25-8X	SPL25	Superseded	5-7437X
SPL25-9X	SPL25	Superseded	5-811X
SPL30-1X	SPL30	Superseded	5-1350X
SPL30-2X	SPL30	Superseded	5-3615X
SPL30-3X	SPL30	Obsolete	No replacement
SPL30-4X	SPL30	Obsolete	No replacement
SPL36-1X	SPL36	Superseded	5-1410X
SPL36-2X	SPL36	Superseded	5-3616X
SPL36-3X	SPL36	Superseded	5-1410X
SPL36-4X	SPL36	Obsolete	No replacement
SPL36-6X	SPL36	Superseded	5-1410X
SPL55-2X	SPL55	Obsolete	No replacement
SPL55-5X	SPL55	Superseded	SPL55-1X
SPL70-3X	SPL70WJ	Superseded	SPL70-4X
SPL90-1X	SPL90	Superseded	SPL100-1X
SPL90X	SPL90	Superseded	SPL100-1X





# IDENTIFY



# LOCATE



# ORDER



# TRACK



# SIMPLIFIED.



[DanaAftermarket.com](http://DanaAftermarket.com)

**SPICER<sup>®</sup>**



**It's never been easier to do business with Dana.**

You've spoken. We've listened. Easily access the genuine Spicer parts information you need to succeed. Search by part number, product type, product line, keywords, and year-make-model. Place and track your orders. It's all here to help streamline your operations and grow your business.

Experience the new one-stop solution from Spicer today!

Product Information: [SpicerParts.com](https://www.SpicerParts.com) | E-Catalog and parts locator: [DanaAftermarket.com](https://www.DanaAftermarket.com)

**Dana Aftermarket Group**

PO Box 1000 Maumee, Ohio 43537 Warehouse

Distributors: 1.800.621.8084

OE Dealers: 1.877.777.5360

Follow SpicerParts [f](#) [t](#) [@](#) [v](#) [in](#)

© 2018 Dana Limited. All rights reserved. K350-3-DAG-12019

**SPICER**<sup>®</sup>

