

Spicer® Drive Axles

**SPICER**®

---



# Illustrated Parts List

---

**AXIP-0055**

**May 2023**

S130, S132 Model



## Table of Contents

General Information .....	2
How To Use Illustrated Parts List.....	2
Model Identification .....	3-4
Axle Parts Explode.....	5
Axle Parts List.....	6
Changes to Wheel Differential 2005 .....	7
Gear and Pinion Kits .....	8
Pinion Bearing Spacers .....	9
Axle Shafts .....	10
Service Carriers .....	11-12
Axle Housing Parts Explode .....	13
Axle Housings.....	14-15
Yokes & Flanges .....	16
Oil Seal Installation Tools.....	17
Service Kits - Quick Reference List.....	17

## General Information

### How To Use Illustrated Parts List

#### Ordering Parts

- This parts book is organized in sections according to parts servicing requirements. Use the Contents or page headings and coloured tabs to find information.
- Use this book to order parts for your Dana® Spicer® Axle.
- For convenience, part numbers have been included for all pieces of the carrier assembly. Some of these parts, such as the carrier and caps, are serviced only in kits or assemblies. Part numbers are for your reference only. Those parts not serviced separately are identified with NSS.

#### Kits and Assemblies

- Kits and Assemblies contain groups of individual or assembled parts developed for optimal replacement or repair of a service problem.
- Kits and Assemblies are shown with applicable parts groupings in the parts listing.
- See the Appendix for detailed information concerning kits applicable to this model.

#### Abbreviations

- AR - As Required - Parts that vary in quantity with each axle. Example: shims
- NSS - Not Serviced Separately - Items which can only be purchased in sets, kit form or service assemblies. Example: brake shoes.
- RH/LH - Right Hand/Left Hand - Determined as viewed from behind the vehicle looking forward.
- "RTV" - Gasket Compound - Formed-in-place gasket sealer. It is recommended for use on all surfaces requiring a gasket.
- Assy - Assembly
- Brg - Bearing
- Diff - Differential
- Hsg - Housing
- Inv - Involute
- ABS - Antilock Brake System
- N/A - Not Applicable
- Str - Straight

#### Illustrations

- Illustrations show parts in assembly groups.
- Item numbers on illustrations correspond with parts listings on pages that accompany the drawings.
- Notes are included on illustrations where needed.

#### Parts Listings

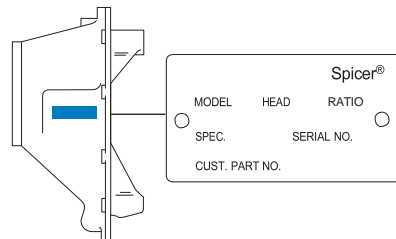
- Parts listings are defined by parts groupings and are broken down by service assemblies.
- Parts Listings identify a part for servicing with the following categories:
  - Item - corresponds with numbers on illustrations for part identification
  - Part Name - specifies part name or description
  - Quantity (Qty) - quantity required for assembly
  - Current Part - service part numbers are broken down by model, type or other applicable information
  - Notes - define unique characteristics or replacement notes
  - Kits / Assy's Where Used - indicates Kits or Assemblies that contain a particular part
  - *Other pertinent information is listed in tables or parts listings as required.*

## Model Identification

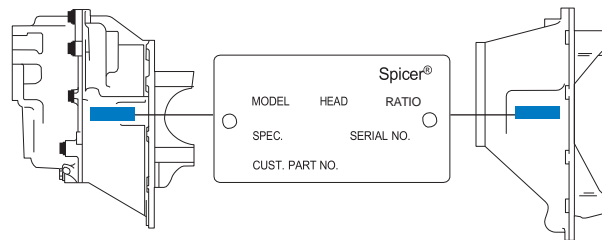
### Locating Model Designation Information

- Axle Model Identification, Part Number and Serial Number are located on a tag at the axle centreline. This information will help to locate information in this book and to identify the correct parts for servicing.

### Drive Axles



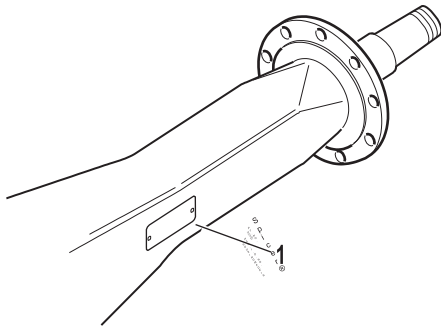
**Single Drive Axles**



**Tandem Drive Axles**

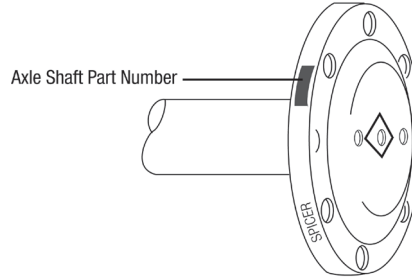
- 1 - Country or origin
- 2 - Axle model identification
- 3 - Specification number assigned to the axle built by Spicer. Identifies all component parts of the axle including special OEM requirements such as yokes or flanges.
- 4 - OEM part number assigned to the axle build
- 5 - Carrier assembly serial number assigned by the manufacturing plant
- 6 - Axle gear ratio
- 7 - Carrier assembly production or service part number

### Axle Housing



1 - ID Tag

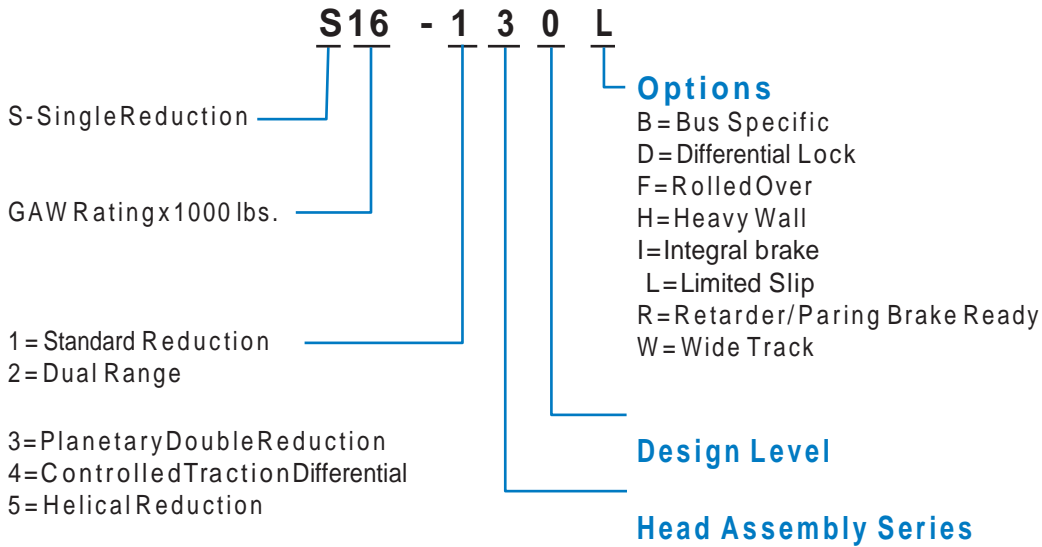
### Axle Shaft



2 - Axle shaft part number

### Using Model Designation to Identify Axle Components

The Axle Model Identification number contains information that is important to understand when purchasing service parts or new components. The Model Identification number provides important vehicle, capacity and application information and model features. Use this guideline to understand your Axle Model Identification. If you need assistance, contact your Dana Aftermarket representative.



### Effectively using a Parts Listing - Example

- Follow the example below to locate and order exactly what is required for servicing.

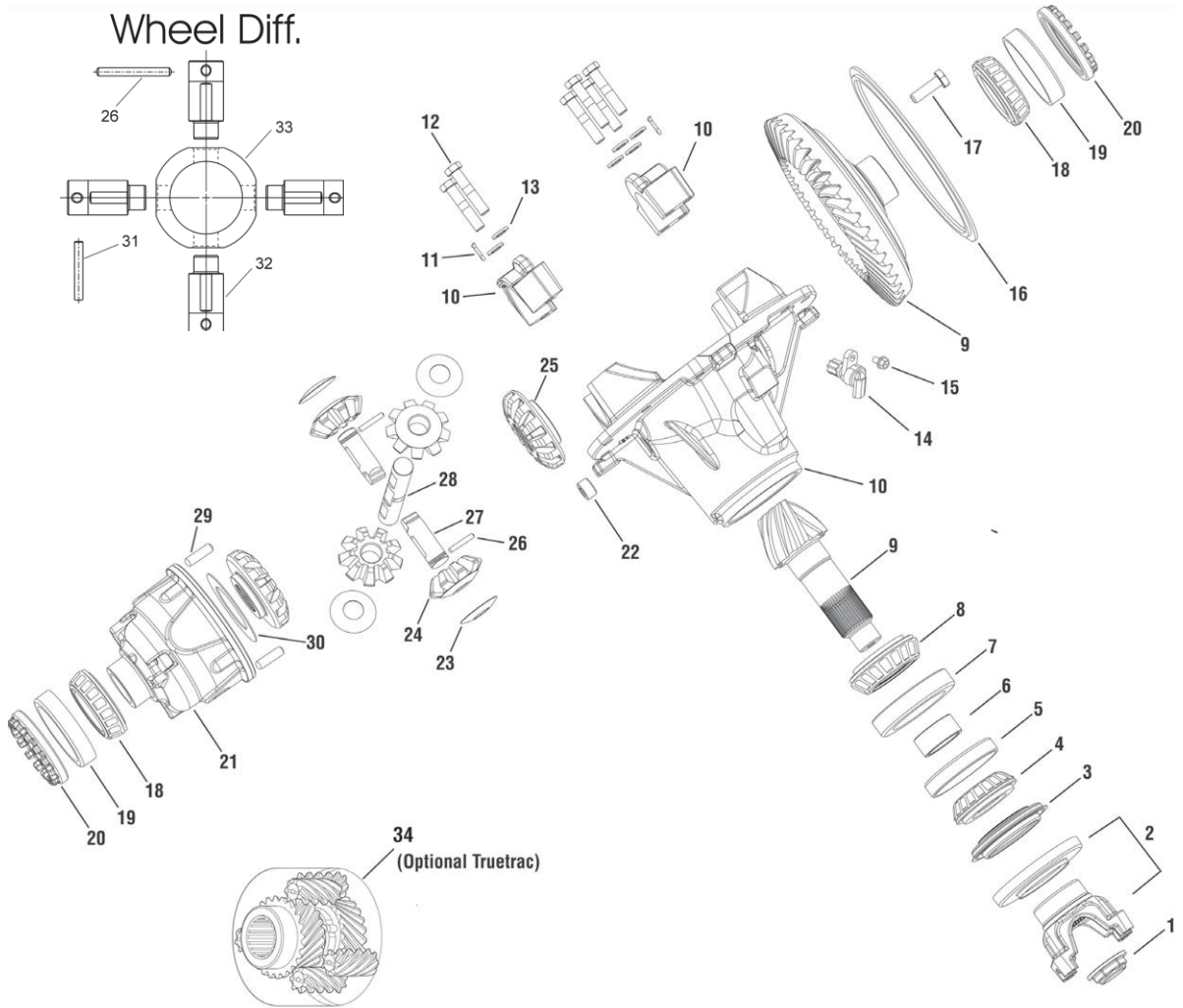
Match to items on illustration	Use to identify Part	Order this quantity for servicing	Order Part Number		Indicated information important to ordering or use
Item	Part Name	Qty	MODEL1	MODEL2	Notes
1	Axle Shaft	2	xxxxxx	xxxxxx	See Axle Shaft Chart
2	Flat Washer	4	xxxxxx	xxxxxx	

#### Kits and Assemblies

Item	Part Name	Qty	MODEL1	MODEL2	Notes
Bearing Kits		1	xxxxxx	xxxxxx	Contents Identified with *

Axle Parts Explode

S132 Model  
Wheel Diff.



## Axle Parts List

Item	Part Name	Qty	S130	S132	Remarks
<b>BEARING KIT (with RTV Sealant)</b>			<b>504068-1 OBS</b>	<b>504068-1 OBS</b>	<b>Replaces 504068; Contents Identified with •</b>
<b>CARRIER BRG REBLDER KIT (no RTV Sealant)</b>			<b>505050</b>	<b>505050</b>	<b>Replaces 504070; 504070-1 Contents with •</b>
1	Pinion Nut	1	130542	130542	
2	End Yoke & Slinger Assy	1			See page 16
3	Pinion Oil Seal	1	10226476 •	10226476 •	Replaces 127591
4	Outer Pinion Bearing Cone	1	134308 •	134308 •	Replaces MJAHB101, 012496
5	Outer Pinion Bearing Cup	1	134295 •	134295 •	Replaces MJAHA101, 012495
6	Bearing Pre-Load Spacer	1			See page 9
7	Inner Pinion Bearing Cup	1	134292 •	134292 •	Replaces 360HA100, 126561
8	Inner Pinion Bearing Cone	1	134306 •	134306 •	was 130598, 129562
9	Ring & Pinion - NSS	1			See Ring Gear & Pinion Kits Page 8
<b>DIFF CARRIER &amp; BRG CAPS KIT - NON ABS</b>			<b>511860</b>	<b>511860</b>	<b>Includes items 10A, 11-13</b>
<b>DIFF CARRIER &amp; BRG CAPS KIT - PARKING BK</b>			-	<b>504044</b>	<b>Includes items 10B, 11-13</b>
<b>DIFF CARRIER &amp; BRG CAPS KIT - ABS MODELS</b>			<b>133958</b>	-	<b>Replaces 514121; Includes items 10C, 11-15</b>
10A	Carr. Sub-Assy. - Non-ABS - NSS	1	130904	-	Replaces 133957, 130994/130500-casting
10B	Carr. Sub-Assy. - PARKING BK - NSS	1	504044	504044	Replaces 133959, 130130739/130737-casting
10C	Carr. Sub-Assy. with ABS	1	133958	-	Replaces 130511/130500-casting
11	Cotter Pin	2	090873	090873	
12	Carrier Cap Bolts	6	130596	130596	
13	Carrier Cap Washer	6	128415HX	128415HX	Replaces 128415
14	Sensor - ABS	1	2011750	-	Replaces 130944, 2006251
15	Capscrew - Sensor	1	48672-1	-	
16	Tone Ring for ratio 5.38 only	1	130647	-	
16	Tone Ring for ratios 4.30 & 4.83	1	130602	-	
17	Ring Gear Bolts	10	134511	134511	Replaces 132820
18	Bearing Cone	2	10079935 •	10079935 •	Replaces HB105
19	Bearing Cup	2	10079936 •	10079936 •	Replaces HA102
20	Diff Bearing Adjuster	2	360HR101	360HR101	
21	Differential Case - Plain Half	1	130769	130761	Models prior to Nov 2005 see page 7
22	Fill Plug	1	054254	054254	3/4" - 14 Thread
<b>WHEEL DIFF SIDE GEAR KIT S130</b>			<b>514374</b>	-	<b>Includes items 23-30</b>
<b>WHEEL DIFF SIDE GEAR KIT S132</b>			-	<b>504040 OBS</b>	<b>Includes items 23-26, 29-33</b>
<b>WHEEL DIFF KIT w/o SIDE GEARS</b>			<b>514373</b>	-	<b>Includes items 23-24, 26-30</b>
23	Side Pinion Thrust Washer	4	129305	129305	
24	Side Pinion	4	133761	133761	Replaces 127364
25	Side Gear - 36 Inv	2	132807	132807	
26	Dowel Pin	2	130605	130605	Models prior to Nov 2005 see page 7
27	Differential Shaft Pin - Short	2	130768	-	Models prior to Nov 2005 see page 7
28	Differential Shaft Pin - Long	1	130767	-	Models prior to Nov 2005 see page 7
29	Dowel Pin	2	132821	132821	Ring Gear to Diff Case
30	Side Gear Thrust Washer	1	127386	127386	
31	Dowel Pin	2	-	130763	
32	Differential Shaft Pin - Short	4	-	130762	
33	Ring - Differential Shaft	1	-	130764	
<b>TRAC-LOK LIMITED SLIP KIT</b>			<b>505005</b>	-	<b>Replaces 513305; Includes items 17-19, 29 &amp; 34</b>
34	Trac-Lok Limited Slip Assy - NSS	1	10101058	-	Replaced 134242; Order kit 505005
35	Shift Label - Truetrac	1	130794 OBS	130794 OBS	Item not illustrated



## Changes to Wheel Differential

### Wheel Differential prior to November 2005

In November 2005, several components of the wheel differential were redesigned. These particular parts are not interchangeable. The tables below show each group of parts. Old parts will remain available until stock is exhausted. When these parts are no longer available, you must upgrade to the new parts listed below.

### Wheel Differential Components PRIOR to November 2005

Item	Part Name	Qty	Part Number	Comments
21	Differential Case	1	130966	No Longer Available
26	Dowel Pin (length 1.63")	2	130969	call for availability
27	Differential Shaft Pin - Short	2	130660	No Longer Available
28	Differential Shaft Pin - Long	1	130659	No Longer Available
	<a href="#">Wheel Diff Side Gear Kit</a>		<a href="#">513003</a>	<a href="#">No Longer Available</a>
	<a href="#">Wheel Diff Side Gear Kit - w/o Side Gears</a>		<a href="#">513004</a>	<a href="#">No Longer Available</a>

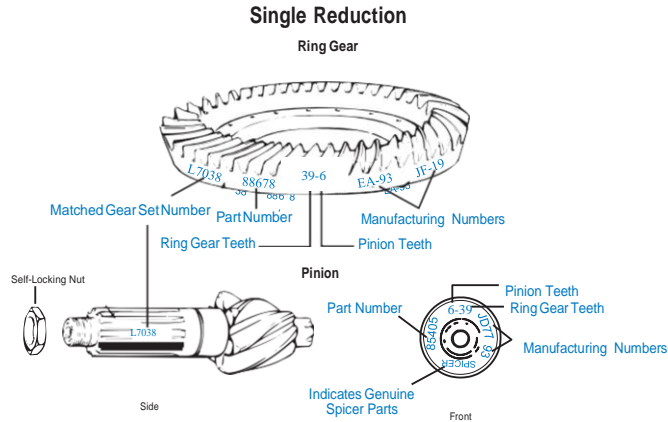
### Wheel Differential Components AFTER November 2005

Item	Part Name	Qty	Part Number	Comments
21	Differential Case-Plain Half	1	130769	
26	Dowel Pin	2	130605	Length: 2.24"
27	Differential Shaft Pin - Short	2	130768	
28	Differential Shaft Pin - Long	1	130767	
	<a href="#">Wheel Diff Side Gear Kit 36 Inv</a>		<a href="#">514374</a>	<a href="#">Includes Items 23-30 (see page 6)</a>
	<a href="#">Wheel Diff Side Gear Kit - w/o Side Gears</a>		<a href="#">514373</a>	<a href="#">Includes Items 23-24, 26-30 (see page 6)</a>

## Ring Gear & Pinion Identification

Dana has highly developed primary axle gearing which is only used in matched sets. These sets are identified by the mating parts listed below. Within any Dana production drive axle or genuine Spicer® Gear & Pinion service kits, these mated part numbers will appear. Because they are developed as a set with precision machining, never mix gears and pinions from different mated sets within an axle. Shortened gearing life, noise and failure may occur. Always use genuine Spicer® products.

- Ring Gear and Drive Pinion are matched parts and must be replaced in sets.
- Identification of mated parts are shown on the drawing below.
- The Service Gear & Pinion kits below include ABS option cut out on ring gear. Tone rings are sold separately.



## Gear and Pinion Kits - S130 / S132 Models

**39 Inv Spline**  
**12.25" (311mm) Hypoid Gearing**  
**Pinion Nut Part-No. 130542**

Ratio	Spicer Kit Part-No	Generation-1		Generation-2		Generation-3 Current		Tooth Combo	Set# Ref Only
		Gear (NSS)	Pinion (NSS)	Gear (NSS)	Pinion (NSS)	Gear (NSS)	Pinion (NSS)		
3.73	504036	-	-	132914	132898	132914	139758	41/11	133982
3.91	504037	-	-	132915	132899	132915	139759	43/11	133983
4.10	514254	130961	130536	132916	132900	132916	139760	41/10	133984
4.30	514147	130960	130534	132917	132901	132917	139761	43/10	133985
4.56	514114	130957	130527	132918	132902	132918	139763	41/9	133987
4.78	514115	130958	130530	132919	132903	132919	139765	43/9	133988
4.88	513978	130959	130533	132920	132904	132920	139765	39/8	133989
5.13	514140	130957	130526	132921	132905	132921	139766	41/8	133980
5.38	514148	130958	130529	132922	132906	132922	139767	43/8	133991
5.57	514251	130959	130532	132923	132907	132923	139768	39/7	133992
5.86	513979	130957	130525	132924	132908	132924	139769	41/7	133993
6.14	514252	130958	130528	132925	132909	132925	139770	43/7	133994
6.50	514253	130959	130531	132926	132910	132926	139771	39/6	133995

## Pinion Bearing Spacers

The pinion bearing spacers shown below come in a variety of different thicknesses for use in re-assembly. All are available individually or customers can order the PINION BRG SPACER SERVICE KIT, which has a selected range of popular bearing spacers.

**PINION BRG SPACER KIT: 504039 (includes items w/\*)**

### Pinion Bearing Spacer Kit P/N: 504039

Part Number	Spacer (mm)	Thickness (inches)
130543	27.23	1.072
130545	27.28	1.074
130547	27.33	1.076
130549	27.39	1.078
130551	27.44	1.080
130553*	27.49	1.082
130555	27.54	1.084
130557	27.59	1.086
130559	27.61	1.087
130561	27.64	1.088
130563*	27.66	1.089
130565*	27.69	1.090
130567*	27.71	1.091

Part Number	Spacer (mm)	Thickness (inches)
130569	27.74	1.092
130571	27.77	1.093
130573*	27.79	1.094
130575*	27.82	1.095
130577*	27.84	1.096
130579	27.87	1.097
130581	27.89	1.098
130583*	27.92	1.099
130587	27.97	1.101
130589	27.99	1.102
130591	28.05	1.104
130593	28.10	1.106

## Axle Shafts

Dana S130 series axle shafts are used in "sets," have unequal shaft lengths and may be "location specific" or "Wheel Equipment specific." When replacing S130 axle shafts, locate the axle shaft part number or select the correct axle shaft from the chart below before placing your order. DO NOT MISPLACE AXLE SHAFTS FROM THEIR INTENDED LOCATION.

Part No.	Qty	Spline	Body O.D.	Shaft Length	Spline Length	Flange O.D.	Bolt Circle	Flange Holes	OEM
132808	1	36	1.61"	37.834"	3.844"	6.223"	5.313"	8 (.781-TPR)	Workhorse
132809	1	36	1.61"	39.842"	3.844"	6.223"	5.313"	8 (.781-TPR)	Workhorse
132823	1	36	1.61"	39.290"	2.559"	6.079"	5.219"	8 (.485-STR)	Ford
132824	1	36	1.61"	41.000"	2.559"	6.079"	5.219"	8 (.485-STR)	Ford
132854	1	36	1.61"	38.740"	2.559"	6.223"	5.313"	8 (.781-TPR)	GMC
132855	1	36	1.61"	40.433"	2.559"	6.223"	5.313"	8 (.781-TPR)	GMC
134074	1	36	1.61"	41.150"	3.228"	6.625"	5.500"	8 (.635-STR)	Nav
134075	1	36	1.61"	39.450"	3.228"	6.625"	5.500"	8 (.635-STR)	Nav
133648	1	36	1.61"	39.173"	2.559"	6.223"	5.219"	8 (.590-STR)	Nav/Paccar/WH
133649	1	36	1.61"	37.480"	2.559"	6.223"	5.219"	8 (.590-STR)	Nav/Paccar/WH
133665	1	36	1.61"	38.125"	2.559"	6.223"	5.313"	8 (.781-TPR)	Monaco
133666	1	36	1.61"	39.500"	2.559"	6.223"	5.313"	8 (.781-TPR)	Monaco
133884 OBS	1	36	1.61"	38.219"	3.228"	6.223"	5.313"	8 (.781-TPR)	Nav/Workhorse
133885 OBS	1	36	1.61"	39.567"	3.228"	6.223"	5.313"	8 (.781-TPR)	Nav/Workhorse
134370	1	36	1.61"	41.150"	3.228"	6.223"	5.250"	12 (.510-TPR)	Tiffen
134371	1	36	1.61"	39.450"	3.228"	6.223"	5.250"	12 (.510-TPR)	Tiffen

## Service Carriers

### S130 - Standard Carrier

36 Involute Spline  
12.25" (311 mm) Hypoid Gearing  
Side Gear # 132807

Ratio	New Carrier Core Free	Old Carrier Part-NLA	Notes
3.73	S130373CF	681263	
3.91	S130391CF	681264	
4.10	S130410CF	681266	Navistar, Workhorse
4.30	S130430CF	681267	GM, Workhorse
4.56	S130456CF	681268	GM
4.78	S130478CF	681269	GM, Monaco
4.88	S130488CF	681270	Ford
5.13	S130513CF	681271	GM, Workhorse
5.38	S130538CF	681272	Ford, GM, Workhorse
5.57	S130557CF	681265	
5.86	S130586CF	681273	Ford, Workhorse
6.14	S130614CF	681274	GM, Workhorse
6.50	S130650CF	681275	GM

### S130L - Limited Slip Carrier

36 Involute Spline  
12.25" (311 mm) Hypoid Gearing  
Limited Slip #10101058

Ratio	New Carrier Core Free	Old Carrier Part-NLA	Notes
4.10	S130TL410CF	676146	S130L410CF - OBS
4.30	S130TL430CF	681446	S130L430CF - OBS
4.56	S130TL456CF	681447	S130L456CF - OBS
4.78	S130TL478CF	681360	S130L478CF - OBS
4.88	S130TL488CF	681619	S130L488CF - OBS
5.13	S130TL513CF	681364	S130L513CF - OBS
5.38	S130TL538CF	681448	S130L538CF - OBS
5.57	S130TL557CF	681365	S130L557CF - OBS
6.50	S130TL650CF	681449	S130L650CF - OBS

### S130FLR - Rolled Over w/ Limited Slip Option

36 Involute Spline  
12.25" (311 mm) Hypoid Gearing  
Limited Slip # 10101058

Ratio	New Carrier Core Free	Old Carrier Part-NLA	Notes
3.73	S130FTLR373CF	681422	S130FLR373CF-OBS
3.91	S130FTLR391CF	681423	S130FLR391CF-OBS
4.10	S130FTLR410CF	681424	S130FLR410CF-OBS
4.30	S130FTLR430CF	681425	S130FLR430CF-OBS
4.56	S130FTLR456CF	681426	S130FLR456CF-OBS
4.78	S130FTLR478CF	681427	S130FLR478CF-OBS
4.88	S130FTLR488CF	681428	S130FLR488CF-OBS
5.13	S130FTLR513CF	681429	S130FLR513CF-OBS
5.38	S130FTLR538CF	681430	S130FLR538CF-OBS
5.57	S130FTLR557CF	681431	S130FLR557CF-OBS
5.86	S130FTLR586CF	681432	S130FLR586CF-OBS
6.14	S130FTLR614CF	681433	S130FLR614CF-OBS
6.50	S130FTLR650CF	681434	S130FLR650CF-OBS

### S130R/S130FR - Rolled Over/Retarder Ready

36 Involute Spline  
12.25" (311 mm) Hypoid Gearing  
Side Gear # 132807

Ratio	New Carrier Core Free	Old Carrier Part-NLA	Notes
3.73	S130FR373CF	681439	
3.91	S130FR391CF	681438	
4.10	S130FR410CF	681395	
4.30	S130FR430CF	681396	
4.56	S130FR456CF	681397	
4.78	S130FR478CF	681278	
4.88	S130FR488CF	681460	
5.13	S130FR513CF	681442	
5.38	S130FR538CF	681398	
5.57	S130FR557CF	681571	
6.14	S130FR614CF	681461	
6.50	S130FR650CF	681399	

## Service Carriers

### S132 - Standard Carrier

36 Involute Spline  
12.25" (311 mm) Hypoid Gearing  
Side Gear # 132807

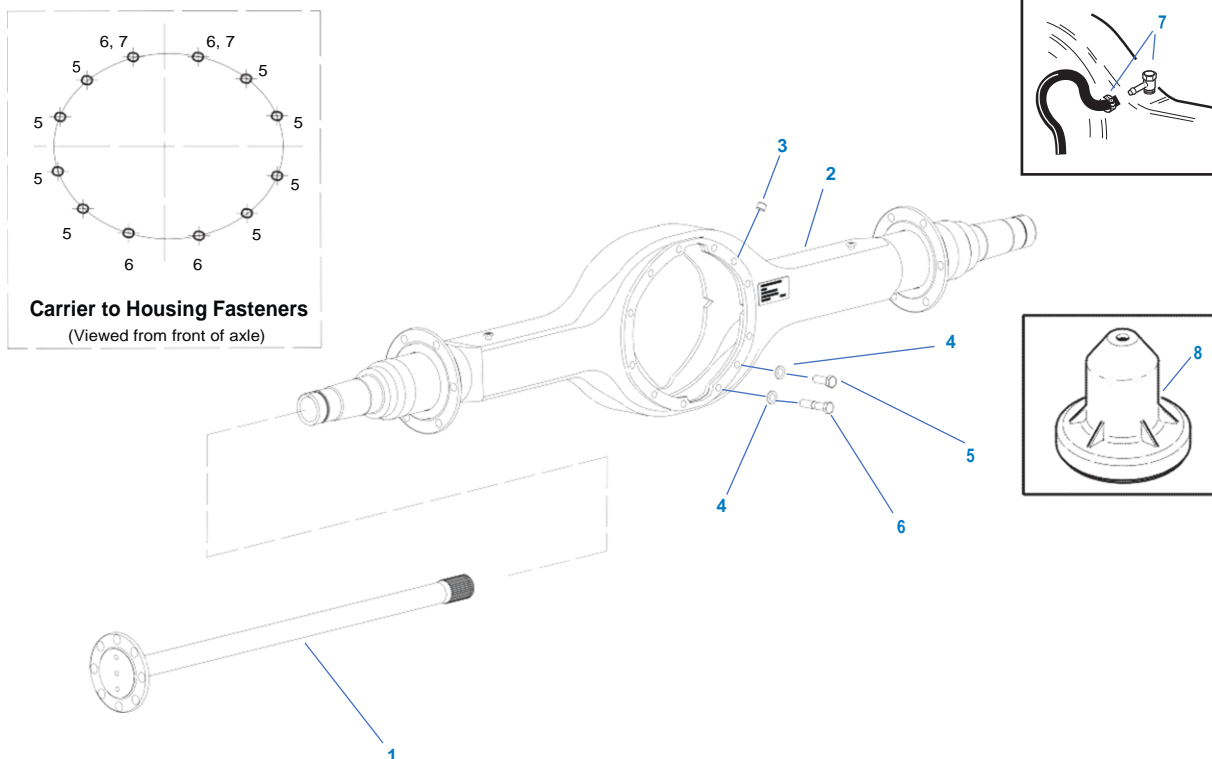
Ratio	New Carrier Core Free	Old Carrier Part-NLA	Notes
3.73	S132373CF	681445	
3.91	S132391CF	681370	
4.10	S132410CF	681371	
4.30	S132430CF	681372	
4.56	S132456CF	681373	
4.78	S132478CF	681374	
4.88	S132488CF	681375	
5.13	S132513CF	681376	
5.38	S132538CF	681377	
5.57	S132557CF	681378	
5.86	S132586CF	681379	
6.14	S132614CF	681380	
6.50	S132650CF	681381	

### S130L - Limited Slip Carrier w/ABS

36 Involute Spline  
12.25" (311 mm) Hypoid Gearing  
Limited Slip # 10101058

Ratio	New Carrier Core Free	Old Carrier Part-NLA	Notes
4.30	S130TLA430CF	681450	S130LA430CF - OBS
4.88	S130TLA488CF	681280	S130LA488CF - OBS

## Axle Housing Parts Explode



## Axle Housing Parts List

Item	Description	Qty	Part No.	Notes
1	Axle Shaft	2		See Axle Shaft Chart page 10
1A	Washers - Axle Shaft	12	215132	Not shown
2	Axle Housing Assy	1		See Axle Housing Chart page 14
3	Plug	1	090897	.375 - 18 Thread, GM only
<b>AXLEHOUSINGHARDWAREKIT</b>		<b>1</b>	<b>514120</b>	<b>Contents Identified with *</b>
4	Washer	12	128415HX*	
5	Capscrew, Carrier to Hsg - Short	8	210115*	40mm - M14 X2
6	Capscrew, Carrier to Hsg - Long	4	210091*	70mm - M14 X2
7	Breather Valve Assy Kit	1	507162	Note 1
7A	Breather Valve	1	809560	Not Shown (.375 - 18 thread), Note 1
8	Seal Driver Tool	1	126917	
9	Magnet	1	129494	Not shown
10	RTV Sealant	1	107276S*	Not shown
11	Thread Adhesive	1	129293*	Not shown

Note 1: Axle housings for Ford applications have a .437 threaded breather hole. Universal breather kit 507162 and the 809560 design valve will not work on these housings.

## AxleHousings

### Housings

Axle Series	PART NUMBER	REPLACED BY	SERVICE P/N - BARE	SERVICE P/N - w/BRACKETS	CUSTOMER
S130	322688 - OBS				
S130	322984 - OBS				Sparten
S130	323502 - OBS				Navistar
S130	323631 - OBS				Navistar
S130	323682 - OBS				Navistar
S130	323787 - OBS				
S130	323813 - OBS				Navistar
S130	323900 - OBS			322876	Ford
S130	S-3103-072 - OBS	324607			Ford
S130	10034636 - OBS				Ford
S130	322690 - OBS				GM
S130	324417 - OBS				Isuzu
S130	324550 - OBS				GM
S130	323314 - OBS				Workhorse
S130	323501 - OBS				Navistar
S130	10064135 - OBS				Navistar
S130	10099518 - OBS				Navistar
S130	323888 - OBS				Navistar
S130	323895 - OBS				Navistar
S130	10063805 - OBS				Ford
S130	10062890			322876	Ford
S130	324511				Jones & Son
S130	322566				
S130	322876			322876	Ford
S130	323082				
S130	323463		502013*		Navistar
S130	323477				
S130	323521			502018*	Navistar
S130	323560		323560		Ford
S130	323628				Navistar
S130	323629				Navistar
S130	323630				Navistar
S130	323663				WORKHORSE
S130	323894				
S130	323896				
S130	323975				VW
S130	323997				Tiffen
S130	324213				Agrale
S130	324217				Ford Brazil
S130	324243				Agrale
S130	324391				Chrysler
S130	324451				Agrale
S130	324479				Ford Brazil
S130	324521				Navistar
S130	324580				Chrysler
S130	324581				Chrysler
S130	324607				Ford
S130	324621				
S130	10004088				Ford
S130	10004089				Ford
S130	10005086				Ford
S130	10010340				Ford
S130	10010546				DINA CAMIONES
S130	10011152				King Buses
S130	10013533				Ford
S130	10036750				Ford
S130	10048986				Navistar



## Axle Housings

### Housings

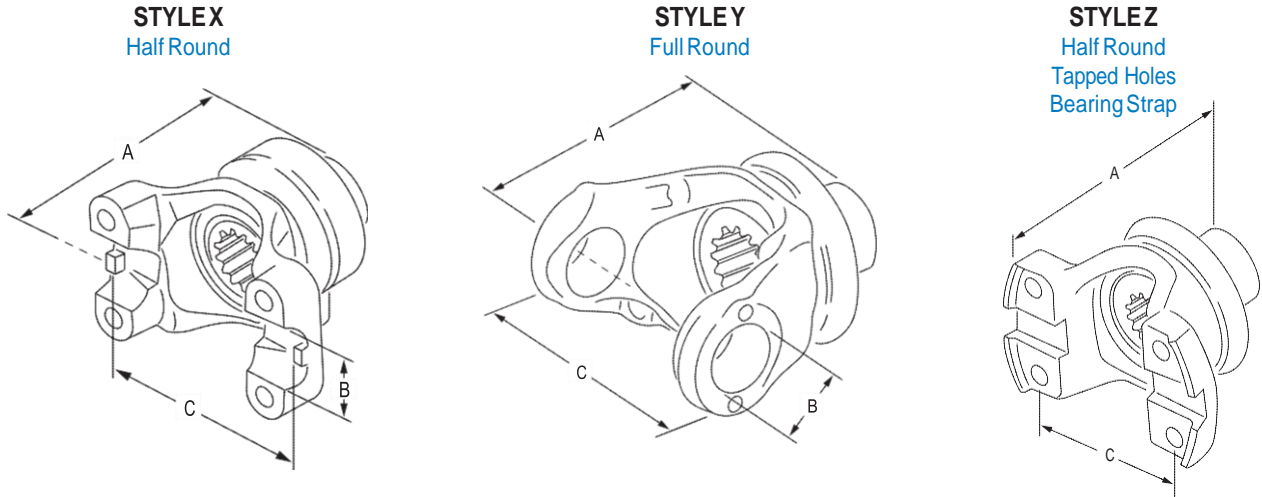
Axle Series	PART NUMBER	REPLACED BY	SERVICE P/N - BARE	SERVICE P/N - w/BRACKETS	CUSTOMER
S130	10063950				Ford
S130	10067905			322876	Ford
S130	10080916				Workhorse
S130	10082580				Ford
S130	10097111				Ford
S130	10097112				Ford
S130	10098115			322876	Ford
S130	10098116				Ford
S130	10098124				Ford
S130	10114267				Navistar
S130	10131577				Navistar
S130	10133473				Navistar
S130	10145402				Workhorse
S130	10154061				Navistar
S130	10166413			322876	Ford
S130	10170290				FCCC
S130	10220817				FCCC
S130	10351935				METALSA

\*These housing kits include the breather parts 129340 & 302706

Note 1: Axle housings for Ford applications have a .437 threaded breather hole. Universal breather kit 507162 and the 809560 design valve will not work on these housings.

## Yokes & Flanges - S130/S132 Models

Spicer yoke part numbers shown below are PRODUCTION part numbers and are for reference only. The part numbers needed for service are also shown. Contact Dana for price & availability of service yokes.



### S130, S132 Series - 39 Inv. Spline

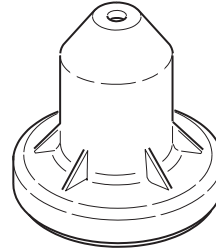
Production Yoke & Slinger	Service Part Number	Series	Joint Angle	Style	Ground Hub Diameter	Dim. A	Dim. B	Dim. C	Notes
5006976	3-4-06976-1X	1480	19	HR	3.00"	3.878"	1.38"	4.19"	Ford, GM
5006977	70-4-06977-1X	SPL70	19	HR	3.00"	3.878"	1.38"	4.97"	Workhorse, Roush; Replaces 70-4-06977X
5006608	100-4-06608-1X	SPL100	15	HR	3.00"	4.150"	1.63"	5.38"	Fabco
5007494	140-4-07494-1X	SPL140	25	HR	3.00"	4.470"	1.94"	5.46"	Fabco; Replaces 140-4-07494X

## Oil Seal Installation Tools

Oil seal installation tools are available for installing drive axle pinion seals. Using these tools ensures proper installation of the seal. Failure to use these tools may result in an improperly installed or damaged seal.

### Oil Seal Driver Installation Tool

126917 (Also included in optional Service Kit 217414)



126917

## Service Kits - Quick Reference List

Description	Part Number	Note(s)
Axle Housing Hardware Kit	514120	
ABS Sensor	2011750	
Bearing Kit - Standard (includes RTV sealant)	504068-1 OBS	Replaces 504068;
Bearing Kit - Carrier Rebuilder (no RTV sealant)	505050	Replaces 504070, 504070-1
Diff Carrier & Bearing Caps Kit - with ABS	133958	Replaces 514121;
Diff Carrier & Bearing Caps Kit - non-ABS	511860	
Diff Carrier & Bearing Caps Kit - Parking Brake	504044	
Limited Slip – Track-Lok Kit (101010158) S130	505005	Replaces 513305
Pinion Bearing Spacer Kit	504039	
Pinion Oil Seal	127591	
Pinion Seal Driver Tool	126917	
RTV Sealant 3oz Tube	107276S	
Side Gear - 36 INV	132807	
U-Tube Breather Kit	507162	
Wheel Diff Side Gear Kit - S130	514374	
Wheel Diff Side Gear Kit - S132	504040 OBS	
Wheel Diff Side Gear Kit - Less Side Gear - S130	514373	





## **SPICER®**

*Drivetrain Products*

Axles  
Driveshafts  
Off-Highway Transmissions

## **LONG®**

*Thermal Products*

Transmission Oil Coolers  
Engine Oil Coolers

## **VICTOR REINZ®**

*Sealing Products*

Gaskets and Seals  
Cylinder-Head Cover Modules  
Thermal-Acoustic Protective Shielding



Dana Aftermarket Group  
PO Box 321  
Toledo, Ohio 43697-0321

Warehouse Distributor: 1.800.621.8084  
OE Dealers: 1.877.777.5360

[www.spicerparts.com](http://www.spicerparts.com)

# **SPICER®**

