

SPICER[®]



AXIP-0172
April 2019

Illustrated Parts List

Spicer[®] Drive Axles

Commercial Vehicle

S21-172, S21-172D, S23-172, S23-172D,

S25-172, S25-172D

IDENTIFY
↓
LOCATE
↓
ORDER
↓
TRACK
↓
SIMPLIFIED.



DanaAftermarket.com

SPICER[®]



It's never been easier to do business with Dana.

You've spoken. We've listened. Easily access the genuine Spicer parts information you need to succeed. Search by part number, product type, product line, keywords, and year-make-model. Place and track your orders. It's all here to help streamline your operations and grow your business.

Experience the new one-stop solution from Spicer today!

General Information.....	2
How to Use Illustrated Parts List.....	2
Model Identification.....	3
Models Covered.....	4
Single Axle Explode S172, S172D.....	5
Single Axle Parts Listing, S172, S172D.....	6
Bill of Materials.....	7
Pinion Bearing Spacers and Shims Listing.....	8
Axle Housing & Fastener Parts.....	9
Axle Shafts & Wheel End Parts.....	10
Ring Gear & Pinion Kits.....	11-12
Service Carriers.....	13
Yokes & Flanges.....	13-14
Oil Seal Installation Tools.....	14

How to Use Illustrated Parts List

ORDERING PARTS

- This parts book is organized in sections according to parts servicing requirements. Use the Contents or page headings and colored tabs to find information.
- Use this book to order parts for your Dana® Spicer® Axle.
- For convenience, part numbers have been included for all pieces of the carrier assembly. Some of these parts, such as the carrier and caps, are serviced only in kits or assemblies. Part numbers are for your reference only. Those parts not serviced separately are identified with NSS.

KITS AND ASSEMBLIES

- Kits and Assemblies contain groups of individual or assembled parts developed for optimal replacement or repair of a service problem.
- See the Appendix for detailed information concerning kits applicable to this model.

ABBREVIATIONS

- ABS - Antilock Brake System
- AR - As Required - Parts that vary in quantity with each axle. Example: shims
- Assy - Assembly
- Brg - Bearing
- Diff - Differential
- Hsg - Housing
- Inv - Involute
- N/A - Not Applicable
- NSS - Not Serviced Separately - Items which can only be purchased in sets, kit form or service assemblies. Example: brake shoes.
- RH/LH - Right Hand/Left Hand - Determined as viewed from behind the vehicle looking forward.
- RTV - Gasket Compound - Formed-in-place gasket sealer. It is recommended for use on all surfaces requiring a gasket.
- Str - Straight

ILLUSTRATIONS

- Illustrations show parts in assembly groups.
- Item numbers on illustrations correspond with parts listings on pages that accompany the drawings.

- Notes are included on illustrations where needed.

PARTS LISTINGS

- Parts listings are defined by parts groupings and are broken down by service assemblies.
- Parts Listings identify a part for servicing with the following categories:
 - Item - corresponds with numbers on illustrations for part identification
 - Part Name - specifies part name or description
 - Quantity (Qty) - quantity required for assembly
 - Current Part - service part numbers are broken down by model, type or other applicable information
 - Notes - define unique characteristics or replacement notes
 - Kits / Assy Where Used - indicates Kits or Assemblies that contain a particular part
- Other pertinent information is listed in tables or parts listings as required.

Effectively Using a Parts Listing - Example

FOLLOW THE EXAMPLE BELOW TO LOCATE AND ORDER EXACTLY WHAT IS REQUIRED FOR SERVICING.

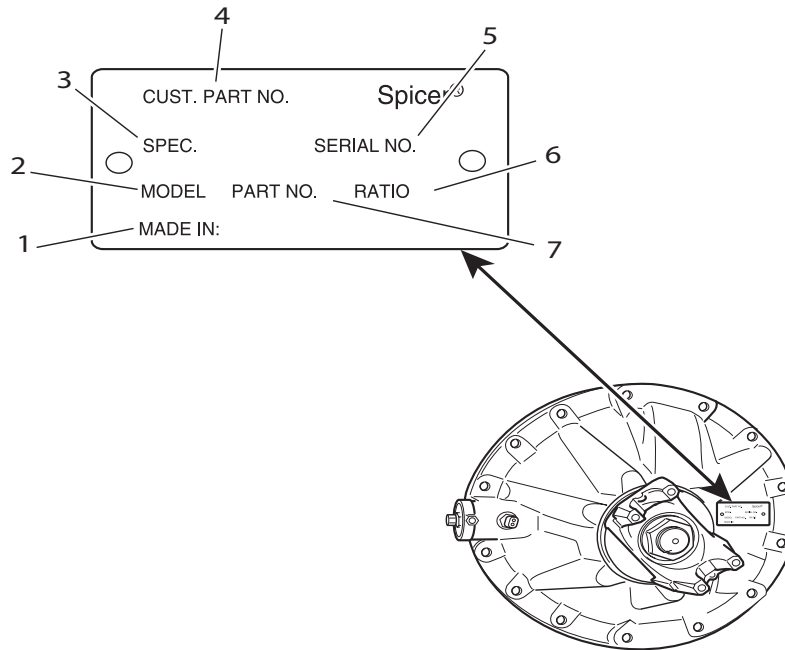
Match to items on illustration	Use to identify Part #	Order this quantity for servicing	Order part # by model indicated		Indicates information important to ordering or use
Item	Description	Qty	DSP40(P)	DDP40(P)	Notes
7	Brg Cup - Plain Half	1	134301•	15092•	134301 replaces 129566
8	Brg Cone - Plain Half	1	134300•	128604•	134300 replaces 129565

SUMMARY OF KITS AND ASSEMBLIES

Oil Seal & Shim Kit	216224	216224	Includes 49-54 & 127592
Basic Overhaul Kit	510393	510393	Contents Identified with *

Model Identification

DRIVE AXLE



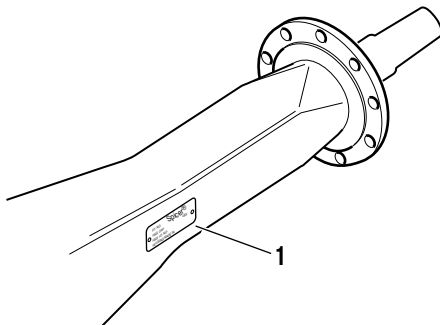
REAR AXLE (TOP VIEW)

- 1 — Country or origin
- 2 — Axle model identification
- 3 — Specification number assigned to the axle built by Spicer.
Identifies all component parts of the axle including special OEM requirements such as yokes or flanges

- 4 — OEM part number assigned to the axle build
- 5 — Carrier assembly serial number assigned by the manufacturing plant
- 6 — Axle gear ratio
- 7 — Carrier assembly production or service part number

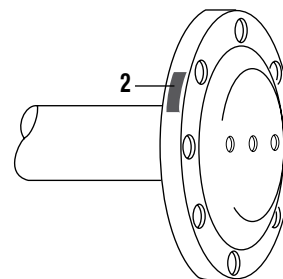
Parts Identification

AXLE HOUSING



- 1 — ID Tag

AXLE SHAFT

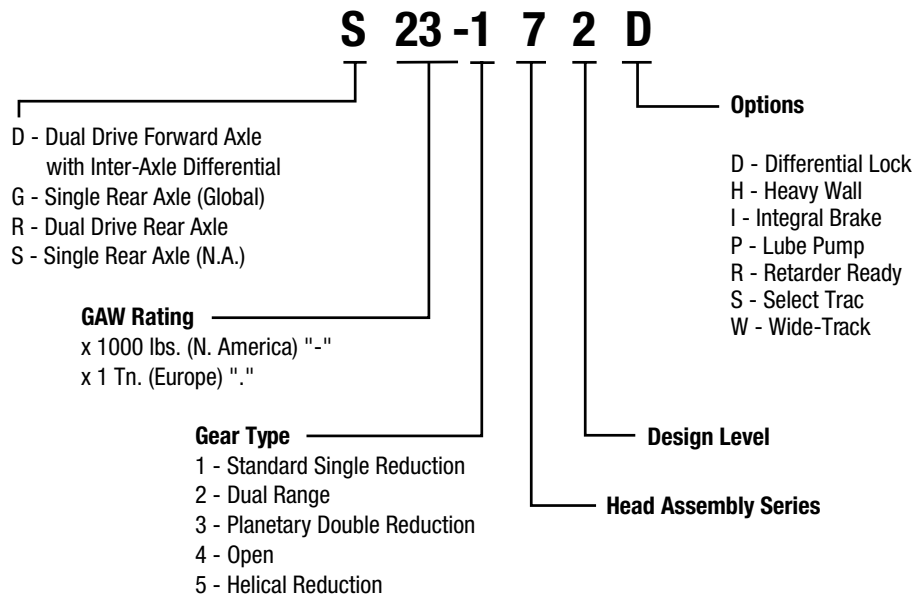


- 2 — Axle shaft part number

Model Identification

USING MODEL DESIGNATION TO IDENTIFY AXLE COMPONENTS

- The Axle Model Identification number contains information that is important to understand when purchasing service parts or new components. The Model Identification number provides important vehicle capacity and application information and model features. Use this guideline to understand your Axle Model Identification. If you need assistance contact your Roadranger representative.



Models

The following models are included in this publication:

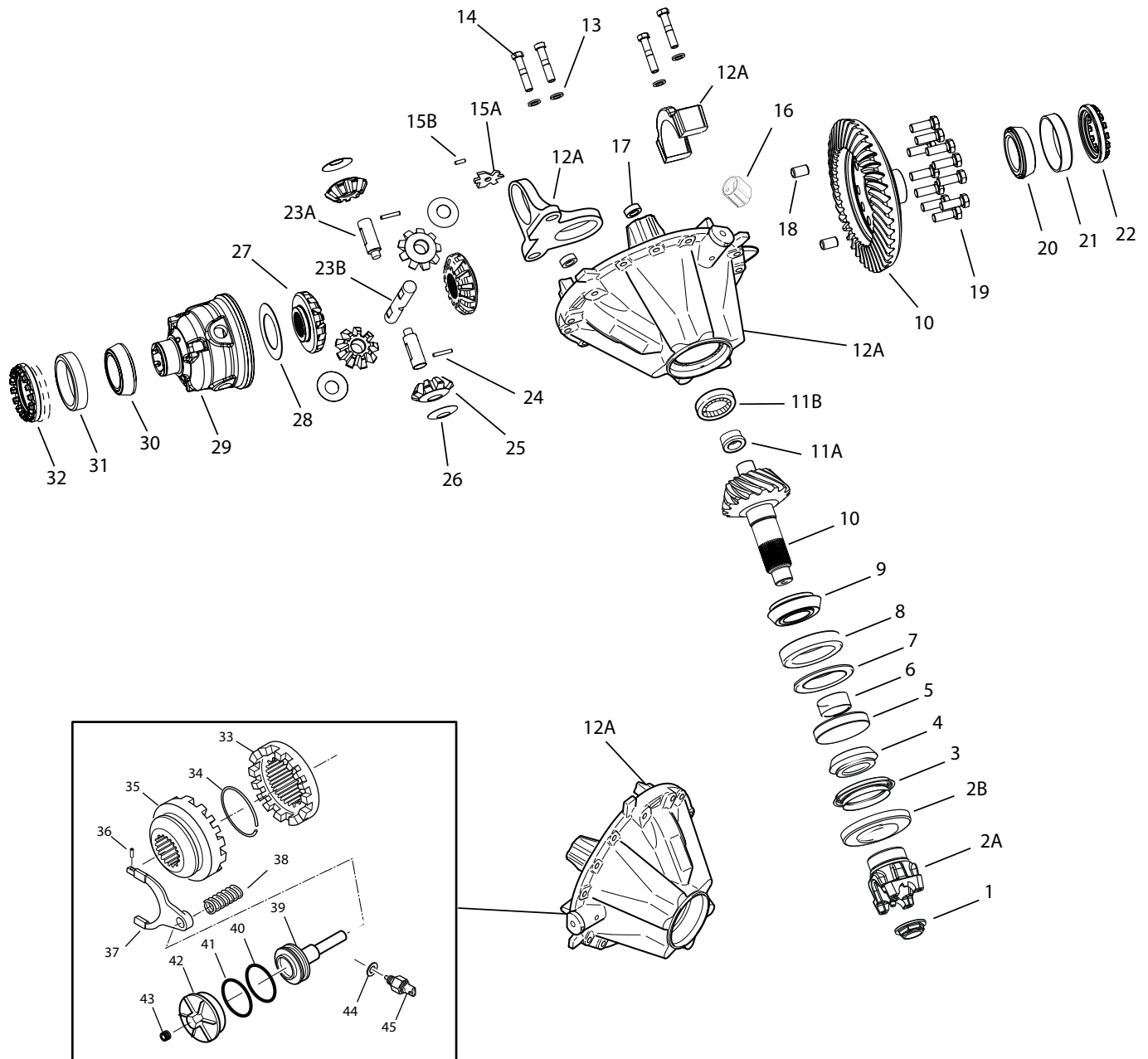
SINGLE REDUCTION MODELS

Rear Axle	Axle Capacity	Gear Size
S25-172	25,000 Lbs	17.3" Hypoid Gear
S23-172	23,000 Lbs	17.3" Hypoid Gear
S21-172	21,000 Lbs	17.3" Hypoid Gear

SINGLE REDUCTION MODELS WITH WHEEL DIFFERENTIAL LOCK

Rear Axle	Axle Capacity	Gear Size
S25-172D	25,000 Lbs	17.3" Hypoid Gear
S23-172D	23,000 Lbs	17.3" Hypoid Gear
S21-172D	21,000 Lbs	17.3" Hypoid Gear

Differential Carrier Assembly - Parts Exploded View



**WHEEL DIFFERENTIAL LOCK
SHIFT PARTS**

SINGLE REDUCTION - SINGLE AXLE MODELS R172, R172D

BILL OF MATERIALS

Item	Description	Qty	R172	R172D	Notes
1	Pinion Nut	1	131095	131095	
2	Yoke & Slinger Assy	1	—	—	See yoke section page 1; Includes 37-46
3	Pinion Oil Seal	1	134583*	134583*	
4	Pinion Bearing Cone - Outer	1	10048108*	10048108*	
5	Pinion Bearing Cup - Outer	1	10037017*	10037017*	
6	Pinion Bearing Spacer	1	Variable	Variable	Reference page 8
7	Pinion Bearing Shim	1	Variable	Variable	Reference page 8
8	Pinion Bearing Cup - Inner	1	10021816*	10021816*	
9	Pinion Bearing Cone - Inner	1	10021815*	10021815*	
11A	Bearing-Pilot Outer	1	10052207*	10052207*	Part is NSS - Purchase Kit
11B	Bearing-Pilot Inner	1	10052208*	10052208*	Part is NSS - Purchase Kit - 4.78 to 6.14 ratios
11B	Bearing-Pilot Inner	1	10054938*	10054938*	Part is NSS - Purchase Kit - 3.07 to 4.56 ratios
12A	Diff Carr Sub-Assy - Standard	1	10052103-nss	—	
12B	Diff Carr Sub-Assy - Diff Lock	1	—	10046553-nss	
13	Washer-Flat	4	134491	134491	
14	Capscrew-Hex	4	134490	134490	
15A	Retainer-Bearing Adjuster Ring	2	10046797	10046797	
15B	Screw-Flange Head	2	10034321	10034321	
16	Restrictor Plug	1	10029474	10029474	
17	Bushing-Dowel	2	134492	134492	
18	Dowel-Gear to Case	2	132821	132821	
19	Ring Gear Bolt (capscrew)	14	10000182	10000182	
20	Bearing Cone-Flange Side	1	10050133*	10050133*	
21	Bearing Cup-Flange Side	1	10050132*	10050132*	
22	Bearing Adjuster-Flange Side	1	10052101	10052101	
23A	Shaft Pin - Differential	2	10021339	10021339	short pin
23B	Shaft Pin - Differential	1	10019723	10019723	long pin
24	Retainer Pin	2	10021349	10021349	
25	Side Pinion	4	10020054	10020054	
26	Thrust Washer - Pinion	4	10019998	10019998	
27	Side Gear - 46 Inv	2	10020053	10020053	
28	Thrust Washer - Side Gear	1	083726	083726	
29	Diff Case - Plain Side	1	10048964	10048962	
30	Bearing Cone-Plain Side	1	10050136*	10050136*	
31	Bearing Cup-Plain Side	1	10050135*	10050135*	
32	Bearing Adjuster-Plain Side	1	10029756	10029756	
33	Fixed Curvic Clutch Gear	1	—	10035340	
34	Snap Ring	1	—	129433	
35	Sliding Curvic Clutch Gear	1	—	10038900	
36	Pin-Roll	1	—	210020	
37	Shift Fork-NSS	1	—	10040379-nss	Order 504376 kit
38	Return Spring	1	131102	131102	
39	Push Rod Assy	1	10021206	10021206	
40	Piston O-Ring	1	210180	210180	
41	Cover O-Ring	1	131665	131665	
42	Diff Lock Cap	1	10019664	10019664	
43	Engagement Plug	1	129946	129946	
44	Washer Switch	1	129034	129034	
45	Selector Switch	1	129035	129035	
46	Thread Adhesive - Loctite 271	AR	129293	129293	
47	RTV - Sealant 3oz	AR	107276S*	107276S*	

NSS - Not Sold Separately

504371

WHEEL DIFF GEAR KIT
MODEL: S172, S172D

Dana Part #	Description	Qty
083726	THRUST WASHER	1
10021339	SHAFT - DIFFERENTIAL (SHORT PIN)	2
10019723	SHAFT - DIFFERENTIAL (LONG PIN)	1
10019998	WASHER THRUST	4
10021349	PIN-DOWEL	2
10020054	PINION - SIDE	4
10020053	SIDE GEAR	2

504374

COMPLETE BEARING REPLACEMENT KIT
MODEL: S172, S172D

Dana Part #	Description	Qty
10021815	Inner Pinion BEARING CONE	1
10021816	Inner Pinion BEARING CUP	1
10052207	Outer Pilot Bearing Race	1
10052208	Inner Pilot Bearing for Axle Ratios 4.78 to 6.14	1
10054938	Inner Pilot Bearing for Axle Ratios 3.07 to 4.56	1
10037017	Outer Pinion BEARING CUP	1
10048108	Outer Pinion BEARING CONE	1
10050133	Flange Half BEARING CONE	1
10050132	Flange Half BEARING CUP	1
10050136	Plain Half BEARING CONE	1
10050135	Plain Half BEARING CUP	1
SHAIS 224	Inner Bearing Differences	1
SHAIS 223	S172 Staking Procedure	1

504375

WHEEL DIFF LOCK REPLACEMENT KIT
MODEL: S172D

Dana Part #	Description	Qty
210020	SPRING PIN	1
131102	SPRING - COMPRESSION	1
10040379	FORK - SHIFT	1
10021206	ROD - PUSH & PISTON	1
210180	O RING	1
131665	O RING	1
10019664	CAP - DIFF LOCK	1

504376

SHIFT FORK AND PIN KIT
MODEL: S172D

Dana Part #	Description	Qty
10040379	FORK - SHIFT	1
210020	SPRING PIN	1

504377

DIFF LOCK REPAIR KIT
MODEL: S172D

Dana Part #	Description	Qty
131102	SPRING - COMPRESSION	1
10021206	ROD - PUSH	1
210180	O RING	1
131665	O RING	1
10019664	CAP - DIFF LOCK	1

504378

PINION PILOT BEARING FOR AXLE RATIOS 4.78 to 6.14 KIT
MODEL: S172, S172D

Dana Part #	Description	Qty
10052207	PILOT BEARING - OUTER	1
10052208	PILOT BEARING - INNER	1

504425

PINION PILOT BEARING FOR AXLE RATIOS 3.07 to 4.56 KIT
MODEL: S172, S172D

Dana Part #	Description	Qty
10052207	PILOT BEARING - OUTER	1
10054938	PILOT BEARING - INNER	1

504320

PINION SEAL AND NUT KIT
MODEL: S172, S172D

Dana Part #	Description	Qty
131095	LOCKNUT - HEX, FLANGED	1
134583	SEAL - OIL	1

504370

FASTENER KIT
MODEL: S172, S172D

Dana Part #	Description	Qty
10000182	RING GEAR BOLT (CAPSCREW)	14

Variable pinion bearing spacers and shims are shown below. Select the proper kit or individual parts to attain the correct settings for the carrier you are working on.

PINION BEARING SPACERS - S172, S172D

Dana Part #	Spacer Thickness (inch/mm)
10032070	17.689
10032071	17.719
10032080	17.869
10032081	17.884
10032085	17.944
10032086*	17.959
10032090	18.019
10032091	18.034
10032092*	18.049
10032096*	18.109
10032097	18.124
10032098	18.139
10032099*	18.154
10032100	18.169
10032101*	18.184
10032102	18.199
10032103	18.214
10032104*	18.229
10032105*	18.244
10032110	18.339
10032112*	18.399

PINION BEARING SHIMS - S172, S172D

Dana Part #	Spacer Thickness (inch/mm)
10023039	.065 / 1.651
10023040*	.066 / 1.677
10023041*	.067 / 1.702
10023042*	.068 / 1.728
10023043*	.069 / 1.753
10023044	.070 / 1.779

PINION BEARING SHIM KITS

504363

PINION BEARING SHIM KIT
 MODEL: S172, S172D

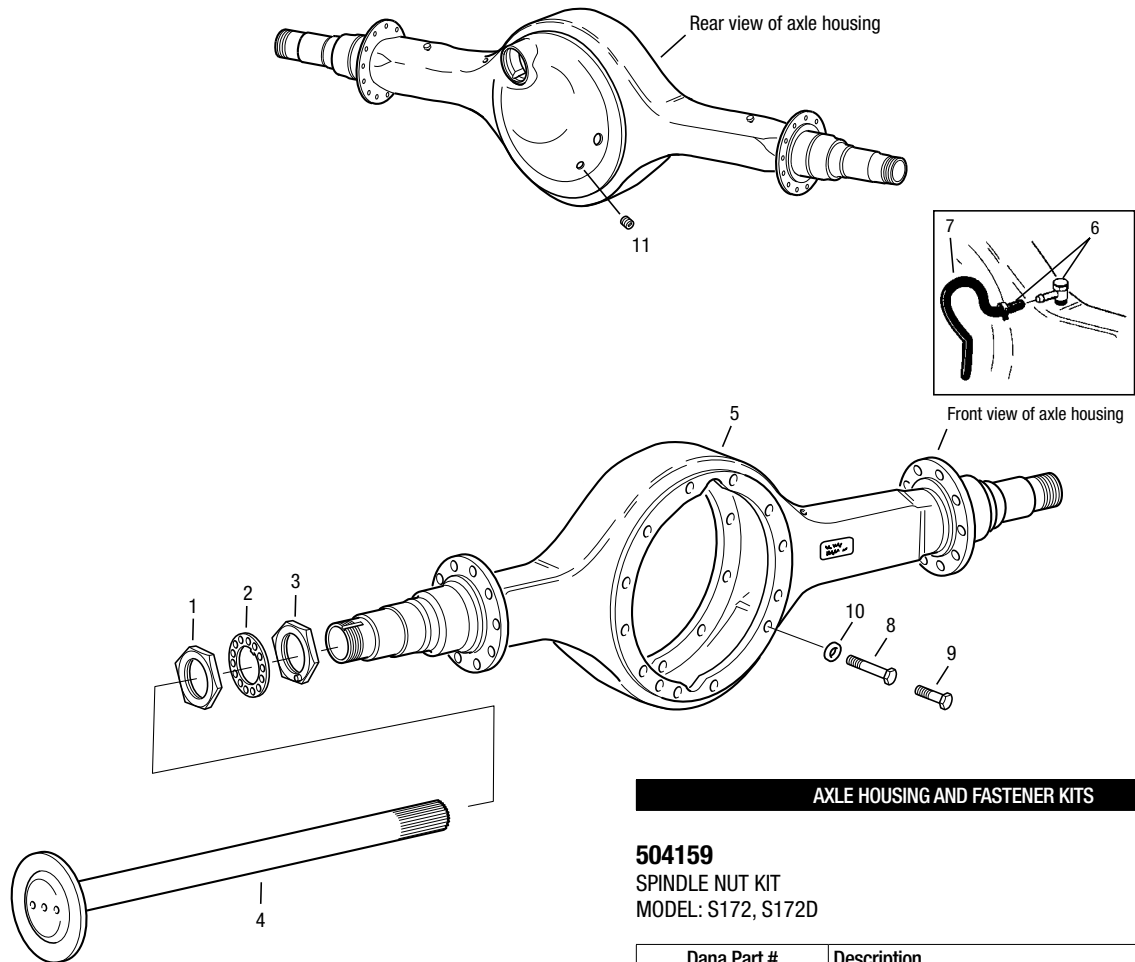
Dana Part #	Description	Qty
10023040	SHIM .066 - BEARING CUP	1
10023041	SHIM .067 - BEARING CUP	1
10023042	SHIM .068 - BEARING CUP	1
10023043	SHIM .069 - BEARING CUP	1

PINION BEARING SPACER KITS

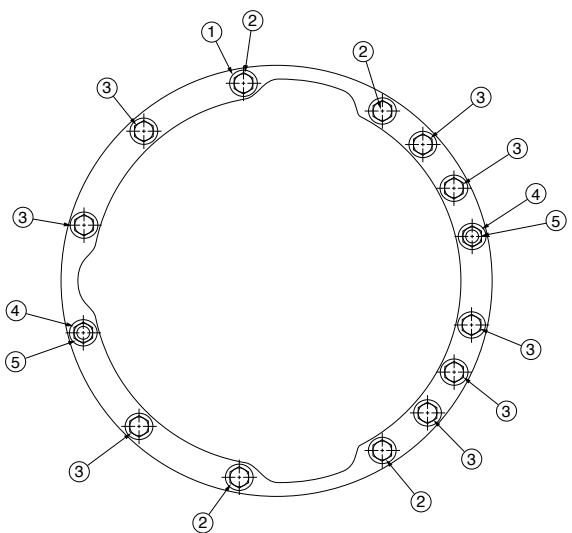
504329

PINION BRG SPACER KIT (INCLUDES ITEMS ABOVE WITH *)
 MODEL: S172, S172D

Dana Part #	Description	Qty
10032112	SPACER - PINION BEARING	1
10032105	SPACER - PINION BEARING	1
10032104	SPACER - PINION BEARING	1
10032101	SPACER - PINION BEARING	1
10032099	SPACER - PINION BEARING	1
10032096	SPACER - PINION BEARING	1
10032092	SPACER - PINION BEARING	1
10032086	SPACER - PINION BEARING	1



AXLE HOUSING AND FASTENER PARTS LIST			
Item	Dana Part #	Description	Qty
1	130877	WASHER - PLAIN	14
2	135016	CAPSCREW - HEX	4
3	135017	CAPSCREW - HEX	8
4	127567	NUTS	2
5	10086320	STUDS	2



AXLE HOUSING AND FASTENER KITS

504159
SPINDLE NUT KIT
MODEL: S172, S172D

Dana Part #	Description	Qty
119881	NUT WHL BRG OUTER	1
119882	NUT WHL BRG INNER	1
119883	WASHER - LOCK NUT WHEEL BRG	1

504369
CARRIER TO HOUSING HARDWARE KIT
MODEL: S172, S172D

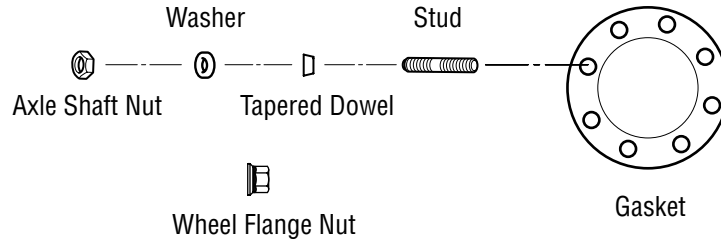
Dana Part #	Description	Qty
135017	CAPSCREW - HEX	8
130877	WASHER - PLAIN	14
135016	CAPSCREW - HEX	4
127567	NUTS	2
10086320	STUDS	2

507162
AXLE HOUSING BREATHER KIT
MODEL: S172, S172D

Dana Part #	Description	Qty
302706	BREATHER ASSY	1
129340	HOSE & CLAMP ASSY	1
129341	BREATHER INSTAL.INST	1

Various Dana model axle shafts are used in “sets,” have unequal shaft lengths and may be “location specific” or “Wheel Equipment specific.” When replacing the axle shafts, locate the axle shaft part number (see Model Identification section) or select the correct axle shaft from the chart below before placing your order.

DO NOT MISPLACE AXLE SHAFTS FROM THEIR INTENDED LOCATION.



Axle Shaft Hardware						
Part #	Description	Qty Used (per side)	Dim. A	Dim. B	Dim. C	Notes
132993	Tapered Dowel	8	1.00"	.630"	.469"	For 5/8" studs
013886	Gasket	1	8 hole			
029804	Washer	8	brake flange washer			
060600	Axle Shaft Nut	8	5/8", 18 thread			
088374	Bolt	8	2.06"	5/8", 18 thread		
10083312	Wheel Nut	2				Not Illustrated - see OEM Build (M22x1.5 6H thread)
818458	Sensor Assembly	1			Chassis Sensor Assy	
818457	Sensor Mounting Clip	1				

NOTE: Various options on parts may not be illustrated - check with your OEM for specific build and part numbers before ordering parts

Dana has highly developed primary axle gearing which is only used in matched sets. These sets are identified by the mating parts listed below. Within any Dana production drive axle or genuine Spicer® Gear & Pinion service kits, these mated part numbers will appear. Because they are developed as a set with precision machining, never mix gears and pinions from different mated sets within an axle. Shortened gearing life, noise and failure may occur. Always use genuine Spicer® products.

- Ring Gear and Drive Pinion are matched parts and must be replaced in sets
- Identification of mated parts are shown on the drawing below
- The Service Gear & Pinion kits below include the latest designs provided in current production

MODELS: S172, S172D

Ring Gear Size: 15.75"
Pinion Nut Part # 131095

Ratios	Spicer Kit	Original Gear (NSS)	Original Pinion (NSS)	Tooth Combo	Ref Set #
3.07	505060	10036919	10036920	43-14	10036918
3.58	504415	10036714	10036715	41-10	10037875
3.73	504416	10038116	10038117	43-10	10035008
3.91	504417	10038024	10038025	43-11	10038023
4.10	504418	10036714	10036715	41-10	10036713
4.30	504419	10038116	10038117	43-10	10038115
4.56	504420	10036998	10036999	41-9	10036997
4.78	504421	10036930	10036931	43-9	10036929
5.25	504422	10038120	10038121	42-8	10038119
5.38	504423	10038125	10038126	43-8	10038124
5.57	504424	10038236	10038237	39-7	10038235
6.14	504428	10036733	10036734	43-7	10036732

RING AND PINION KITS

504415

3.58 RING AND PINION KIT
MODEL: S172, S172D

Dana Part #	Description	Qty
10037875	GP S172 3.58	1
131095	LOCKNUT - HEX, FLANGED	1
SHAIS154	INFO SHEET	1
SHAIS168	INFO SHEET	1

504417

3.91 RING AND PINION KIT
MODEL: S172, S172D

Dana Part #	Description	Qty
10038023	GP R172 3.91	1
131095	LOCKNUT - HEX, FLANGED	1
SHAIS154	INFO SHEET	1
SHAIS168	INFO SHEET	1

504416

3.73 RING AND PINION KIT
MODEL: S172, S172D

Dana Part #	Description	Qty
10035008	GP S172 3.73	1
131095	LOCKNUT - HEX, FLANGED	1
SHAIS154	INFO SHEET	1
SHAIS168	INFO SHEET	1

504418

4.10 RING AND PINION KIT
MODEL: S172, S172D

Dana Part #	Description	Qty
10036713	GP R172 4.10	1
131095	LOCKNUT - HEX, FLANGED	1
SHAIS154	INFO SHEET	1
SHAIS168	INFO SHEET	1

RING AND PINION KITS, CONTINUED

504419
 4.30 RING AND PINION KIT
 MODEL: S172, S172D

Dana Part #	Description	Qty
10038115	GP S172 4.30	1
131095	LOCKNUT - HEX, FLANGED	1
SHAIS154	INFO SHEET	1
SHAIS168	INFO SHEET	1

504423
 5.38 RING AND PINION KIT
 MODEL: S172, S172D

Dana Part #	Description	Qty
10038124	GP S172 5.38	1
131095	LOCKNUT - HEX, FLANGED	1
SHAIS154	INFO SHEET	1
SHAIS168	INFO SHEET	1

504420
 4.56 RING AND PINION KIT
 MODEL: S172, S172D

Dana Part #	Description	Qty
10036997	GP S172 4.56	1
131095	LOCKNUT - HEX, FLANGED	1
SHAIS154	INFO SHEET	1
SHAIS168	INFO SHEET	1

504424
 5.57 RING AND PINION KIT
 MODEL: S172, S172D

Dana Part #	Description	Qty
10038235	GP S172 5.57	1
131095	LOCKNUT - HEX, FLANGED	1
SHAIS154	INFO SHEET	1
SHAIS168	INFO SHEET	1

504421
 4.78 RING AND PINION KIT
 MODEL: S172, S172D

Dana Part #	Description	Qty
10036929	GP S172 4.78	1
131095	LOCKNUT - HEX, FLANGED	1
SHAIS154	INFO SHEET	1
SHAIS168	INFO SHEET	1

504428
 6.14 RING AND PINION KIT
 MODEL: S172, S172D

Dana Part #	Description	Qty
10038235	GP S172 5.57	1
131095	LOCKNUT - HEX, FLANGED	1
SHAIS154	INFO SHEET	1
SHAIS168	INFO SHEET	1

504422
 5.25 RING AND PINION KIT
 MODEL: S172, S172D

Dana Part #	Description	Qty
10038119	GP S172 5.25	1
131095	LOCKNUT - HEX, FLANGED	1
SHAIS154	INFO SHEET	1
SHAIS168	INFO SHEET	1

505060
 3.07 RING AND PINION KIT
 MODEL: S172, S172D

Dana Part #	Description	Qty
10036918	GP S172 3.07	1
131095	LOCKNUT - HEX, FLANGED	1
SHAIS154	INFO SHEET	1
SHAIS168	INFO SHEET	1

R172 - STANDARD CARRIER

46 Involute Spline
Side Gear # 10020053
17.3" Hypoid Gearing
These new carrier units will directly replace models S23-172 with no modifications.

Ratio	Exchange Carrier R172
3.58	R172358EX
3.73	R172373EX
3.91	R172391EX
4.10	R172410EX
4.30	R172430EX
4.56	R172456EX
4.78	R172478EX
5.25	R172529EX
5.38	R172538EX
5.57	R172557EX

R172D - DIFFERENTIAL LOCK CARRIER

46 Involute Spline
Side Gear # 10020053
17.3" Hypoid Gearing
These new carrier units will directly replace models S23-172D with no modifications.

Ratio	Exchange Carrier R172D
3.58	R172D358EX
3.73	R172D373EX
3.91	R172D391EX
4.10	R172D410EX
4.30	R172D430EX
4.56	R172D456EX
4.78	R172D478EX
5.25	R172D529EX
5.38	R172D538EX
5.57	R172D557EX

Carrier Sub-Assy Standard Part Number - **10052103**
Carrier Sub-Assy with Differential Lock Part Number - **10046553**

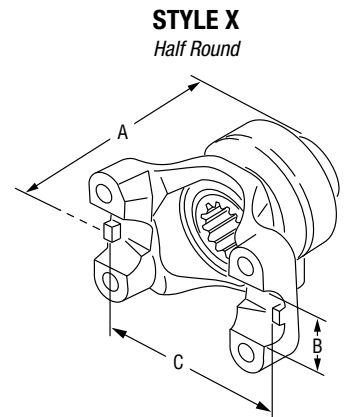
Yokes & Flanges

The following yoke reference information can be used for ordering replacement yoke assemblies for new service carriers. Shown below are SERVICE PART NUMBERS and at the far right side are original production part numbers used in various applications. Always double check part supersession and options before ordering any replacement product.

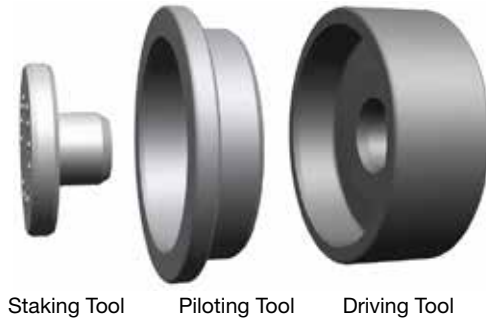
DANA MODELS: S172, S172D

Rear Axle - Input / 49 - 2.544 Involute Spline
Slinger Part Number: 134580

Service Part #	Series	Joint Angle	Style	Dimensions (in inches)			Reference Production Assy Part #
				A	B	C	
170-4-2021-1X	SPL170	25	X	5.530	2.166	6.456	170-4-1891-1



These kits contain pinion pilot bearing staking tools to be utilized when a pinion pilot bearing is replaced or installed in a new drive pinion. Failure to use these tools may result in a premature bearing failure.



505022
S172 Stake (35mm) Ratios 4.78 to 6.14

Dana Part #	Description	Qty
10130404	Driver Tool	1
10130409	S172 Piloting Tool	1
10130411	9-Ball 35mm Stake Tool	
SHAIS 223	Staking Instruction	

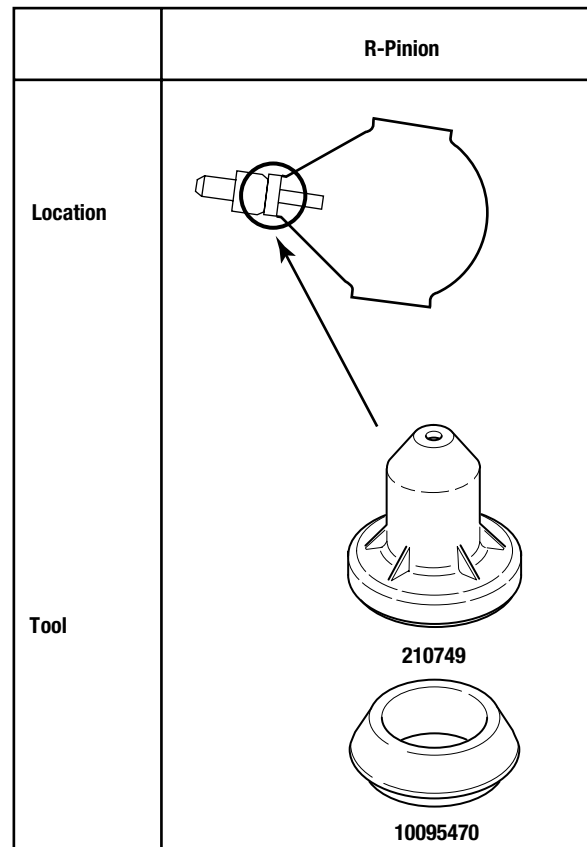
505054
S172 Stake (40mm) Ratios 3.07 to 4.56

Dana Part #	Description	Qty
10130404	Driver Tool	1
10130409	S172 Piloting Tool	1
10130410	9-Ball 40mm Stake Tool	
SHAIS 223	Staking Instruction	

Oil Seal Installation Tools

These kits contains installation tools used for installing driveline oil seals. Using these tools ensures proper installation of the seal. Failure to use these tools may result in an improperly installed or damaged seal.

OIL SEAL DRIVER INSTALLATION TOOL: 10095470



SPICER®



SPICER® U-JOINTS OUTPERFORM THE COMPETITION



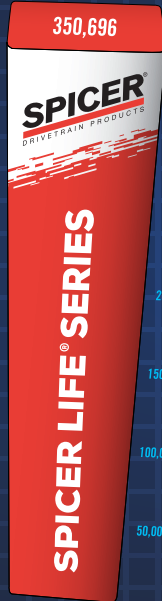
MORE THAN
2X
BETTER THAN
THE CLOSEST
COMPETITOR!



Neapco
Part # 6-1250



Meritor
Part # US250X



Spicer Life Series
Part # SPL250-3X

FATIGUE CYCLES

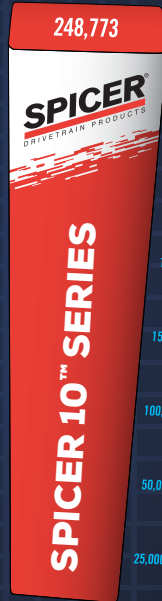
MORE THAN
5X
BETTER THAN
THE CLOSEST
COMPETITOR!



Meritor
Part # M281X



Neapco
Part # 6-0281



Spicer 10™ Series
Part # 5-281X

FATIGUE CYCLES

U-Joint Kit Test Results
Average Cycles to Failure – Based on Samples Tested
FATIGUE TESTING ON 250 SERIES U-JOINTS

U-Joint Kit Test Results
Average Cycles to Failure – Based on Samples Tested
FATIGUE TESTING ON 1810 SERIES U-JOINTS

Tested and Proven. Spicer® U-Joints Outperform the Competition!

You can trust Spicer Life® Series (SPL®) and Spicer 10™ Series u-joints to provide optimal performance. Test results in the above charts show how Spicer u-joints outperform the competition. For more information, visit SpicerParts.com/UJTest.

Demand the best.... Demand genuine Spicer® u-joints!



SPICER®



SpicerParts.com or for our e-catalog, DanaAftermarket.com
#SpicerUJTest

© 2018 Dana Limited. All rights reserved.

Product Information: [SpicerParts.com](https://www.SpicerParts.com) | E-Catalog and parts locator: [DanaAftermarket.com](https://www.DanaAftermarket.com)

Dana Aftermarket Group

PO Box 1000 Maumee, Ohio 43537

Warehouse Distributors: 1.800.621.8084

OE Dealers: 1.877.777.5360

Follow SpicerParts [f](#) [t](#) [@](#) [v](#) [in](#)

© 2019 Dana Limited. All rights reserved. AXIP-0172-42019

SPICER[®]

