

SPICER®



Spicer® Light Vehicle **SPL® Plus U-Joints**



The Best Just Got Better!

The company that invented the u-joint, and that has remained the leader in u-joint quality for over 100 years, now offers another advancement: SPL® Plus u-joints. Building on the superior design, lubrication, and sealing package of our Spicer Life Series® (SPL®) u-joints, SPL® Plus u-joints feature upgraded grease, seal, seal guard, and spacer material for premium performance in the most demanding environments.



NEW! Spicer Life Series® Plus U-Joints

Upgraded Materials Take the Best U-Joint on the Market to the Next Level.

Spicer is always working to incorporate the latest advancements in u-joint material and design, so we can deliver reliable products for customers who demand the best. Global manufacturers already recognize SPL® u-joints as a benchmark in quality. We took this trusted OE product and enhanced the grease, then improved the seal, spacer, and seal guard materials, to create u-joints with unrivaled performance and longevity: Spicer Life Series Plus u-joints.

Exhaust systems on today's vehicles are often placed closer to the driveline, creating greater stress on driveline components due to greater temperature fluctuations. SPL® Plus u-joints offer increased maximum temperature capabilities to provide improved bearing life and overall durability.

SPL® Plus U-Joint Features and Benefits:

Extended U-Joint Life

- Journal cross engineered with a cold-formed body to ensure better wear and overall strength

Enhanced with Synthetic Grease

- The red Spicer Life Series ultra-premium grease of SPL u-joints is replaced with upgraded green synthetic grease
- Significantly improves minimum and maximum temperature capabilities
- Increased bearing life

Enhanced Spacer Material

Bearing Cups

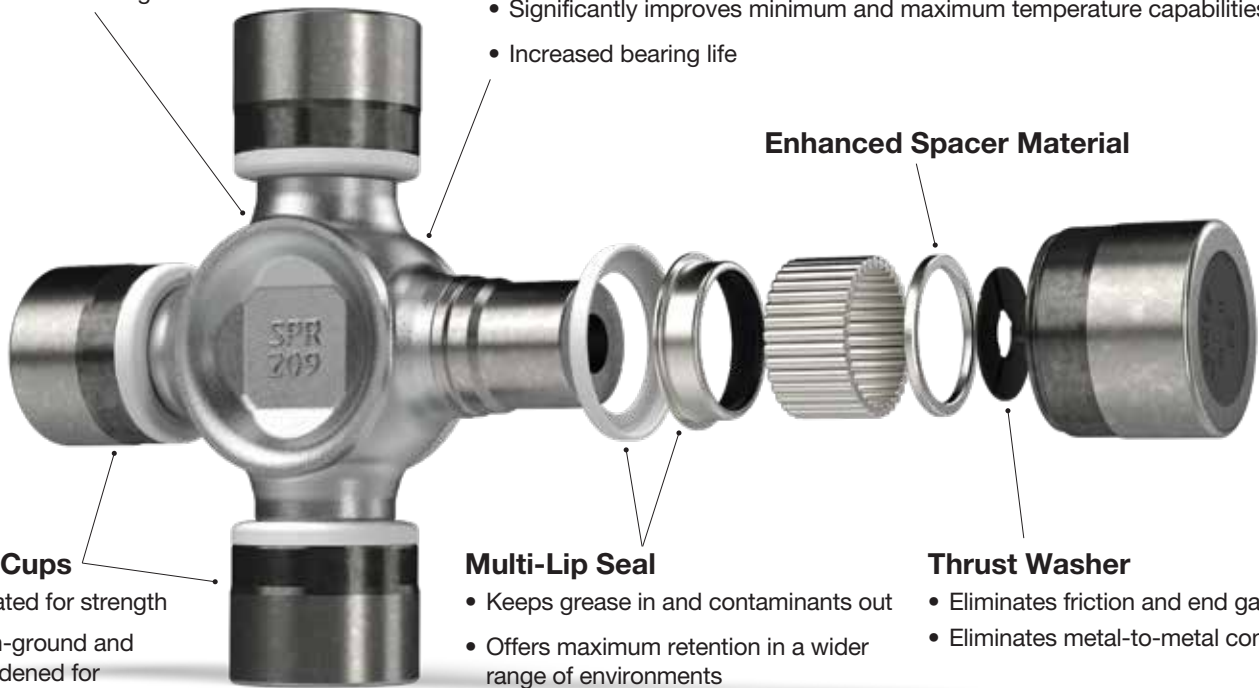
- Heat-treated for strength
- Precision-ground and case-hardened for durability

Multi-Lip Seal

- Keeps grease in and contaminants out
- Offers maximum retention in a wider range of environments
- Enhanced seal and seal guard material

Thrust Washer

- Eliminates friction and end galling
- Eliminates metal-to-metal contact



Description	Spicer Part #
SPL® Plus Series (1350 non-greaseable)	5-1350XP
SPL® Plus Series (1410 non-greaseable)	5-1410XP
SPL® Plus Series (1480/SPL55 non-greaseable)	SPL55XP

For more information on this or any other Spicer driveline products, contact your sales representative or visit SpicerParts.com.

SpicerParts.com/SPL-Plus

Dana Aftermarket Group

PO Box 1000 Maumee, Ohio 43537

Warehouse Distributors: 1.800.621.8084

OE Dealers: 1.877.777.5360

Follow SpicerParts [f](#) [t](#) [@](#) [v](#) [in](#)

© 2020 Dana Limited. All rights reserved. AFT-SP-LV-C001-SPLPLUSUJ-1220

SPICER®

