

Spicer® Drive Axles

SPICER®



Illustrated Parts List

**Spicer® Single Reduction Axle with
Controlled Traction Differentials**

AXIP-0084

November 2004

TABLE OF CONTENTS

How to use Illustrated Parts List 2

Model Identification 3

Single Axle Differential Carrier 4

 Single Reduction w/Controlled Traction Differential
 Models: 17401, 17421, 21421, 224214

 Single Reduction w/Controlled Traction Differential
 Models: 23421, 26421, 23085C, 23105C, 26105C,
 30105C7

Input and Output Yokes 11

 Models: DC341, DC381(P), DC401-P, DC402(P),
 DC451-P, RC341, RC381, RC401,RC402,RC451 ..11

 Forward Axle Models11

 Rear Axle Models11

Tandem Forward Axle Differential Carrier

 Single Reduction w/Controlled Traction Differential
 Models: 17401, 17421, 21421, 224212

 Single Reduction w/Controlled Traction Differential
 Models: RC341, RC381, RC401, RC402, RC451 ...19

Pinion Bearing Spacers 23

**Tandem Forward Axle
Differential Carrier 24**

**Tandem Rear Axle
Differential Carrier 30**

Ring Gear and Pinion Identification . 33

Drive Pinion and Gear Set

 Forward Tandem Axles34

 Rear Tandem Axle35

Differential Lockout (Forward Axle)

Current Production Model..... 36

Differential Carrier Assemblies 38

**Controlled Traction Differential
Shift System 40**

Shift Unit 41

Single Drive Axles 43

Tandem Drive Axles 44

Carrier Assembly Serial Numbers ... 45

How to use Illustrated Parts List

Ordering Spicer® Parts

- This parts book is organized in sections according to parts servicing requirements. Use the Contents or page headings and colored tabs to find information
- Use this book to order parts for your Spicer Axle.
- For convenience, part numbers have been included for all pieces of the carrier assembly. Some of these parts, such as the carrier and caps, are serviced only in kits or assemblies. Part numbers are for your reference only. Those parts not serviced separately are identified with NSS.

Abbreviations

- **AR - As Required** - Parts that vary in quantity with each axle. Example: shims
- **NSS - Not Services Separately** - Items which can only be purchased in sets, kit form or service assemblies. Example: brake shoes.
- **RH/LH - Right Hand/Left Hand** - Determined as viewed from behind the vehicle looking forward.
- **“RTV” - Gasket Compound** - Formed in-place gasket sealer. It is recommended for use on all surfaces requiring a gasket.
- **Assy - Assembly**
- **Brg - Bearing**
- **Diff - Differential**
- **Hsg - Housing**
- **Inv - Involute**

- **IASS - In Axle Speed Sensor**
- **ABS - Antilock Brake System**
- **N/A - Not Applicable**
- **Str - Straight**

Illustrations

- Illustrations show parts in assembly groups.
- Item numbers on illustrations corresponds with part listings on pages that accompany the drawings
- Notes are included on illustrations where additional is needed.

Parts Listings

- Parts listings are defined by parts groupings and are broken down by service assemblies.
- Parts Listings identify a part for servicing with the following categories:
 - **Item** - Corresponds with numbers on illustrations for part identification
 - **Current Part** - Service part numbers are broken down by model, type or other applicable information
 - **Description** - specifies part name or description
 - **Replaced Part** - identifies superseded or replaced part numbers
 - **Quantity (Qty)** - quantity required for assembly
 - **Notes** - define unique characteristics or requirements
 - **Kits/Assy's Where Used** - indicates Kits or Assemblies that contain a particular part
- **Other pertinent information is listed in tables or parts listings as required.**

Effectively using a parts listing — Example

- Follow the example below to locate and order exactly what is required for servicing.

Match to items on illustration Use to identify part Order this quantity for servicing Order Part Number by Model indicated Indicates information important to ordering or use

Item	Description	Qty	DS454-P	DD454-P	Notes
1	Axle Shaft	2	123456	789101	See Axle Shaft Chart
2	Flat Washer	4	246810	121416	

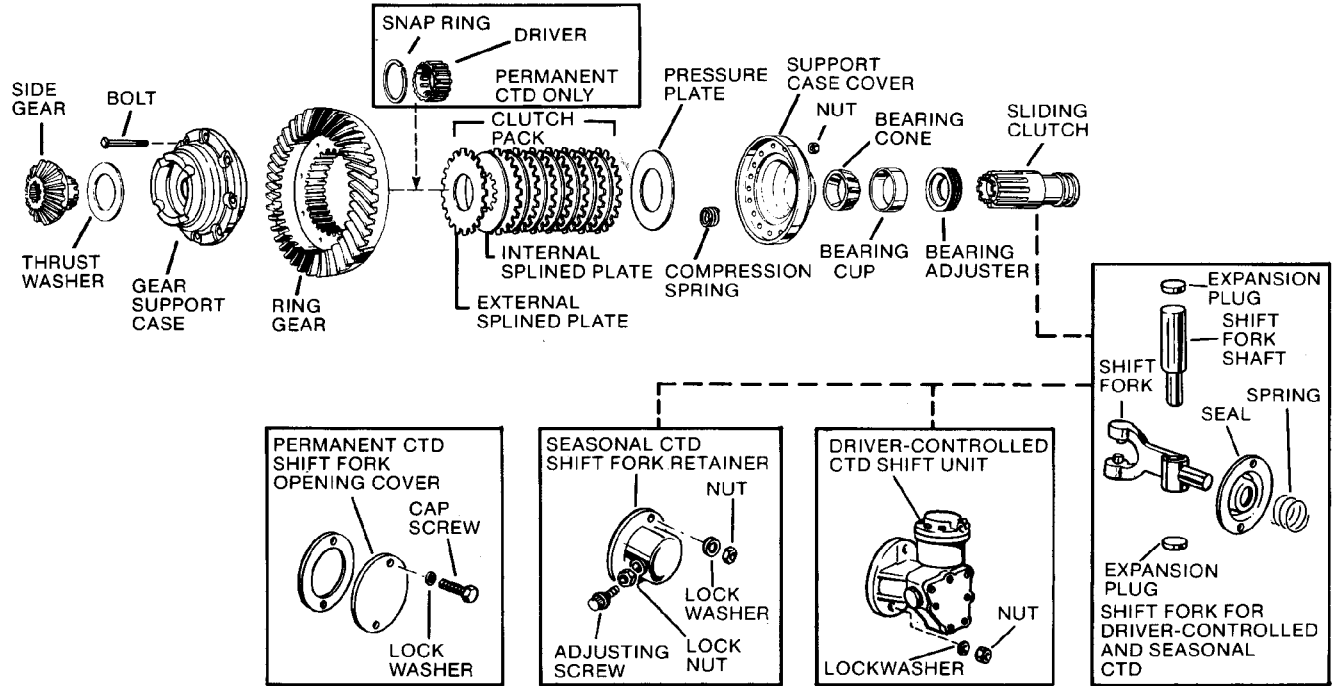
Summary of Kits and Assemblies

Oil Seal & Shim Kit	216225	Includes 29-30, 36
Basic Overhaul Kit	216221	Contents Identified with •

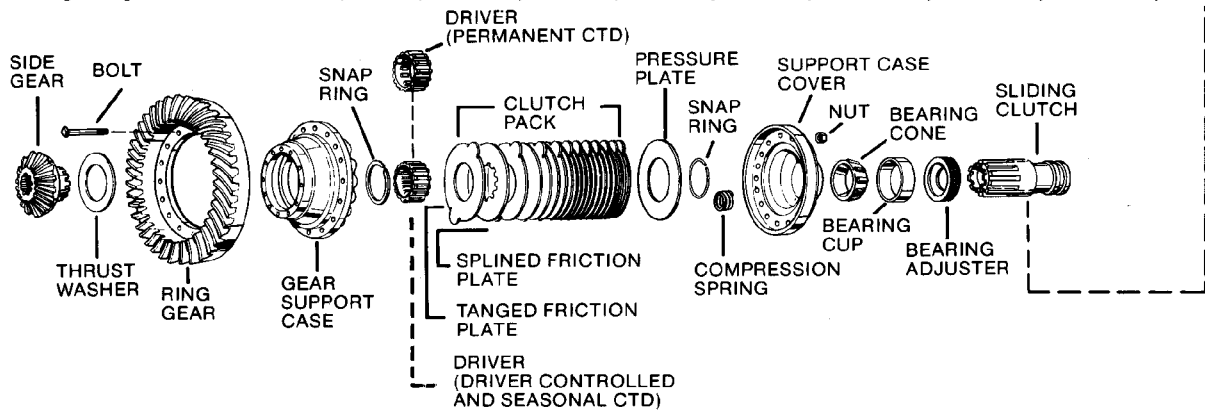
Model Identification

This publication covers axle models with two configurations of single reduction gearing with controlled traction differentials.

Medium-duty on Models: 17401, 17421, 21421, 22421, DC341, DC381(P), DC401-P, DC402(P), DC451-P



Heavy-duty on Models: 23421, 26421, 23085C, 23105C, 26105C, 30105C, DC461-P, DC521-P, DC460-P, DC480-P

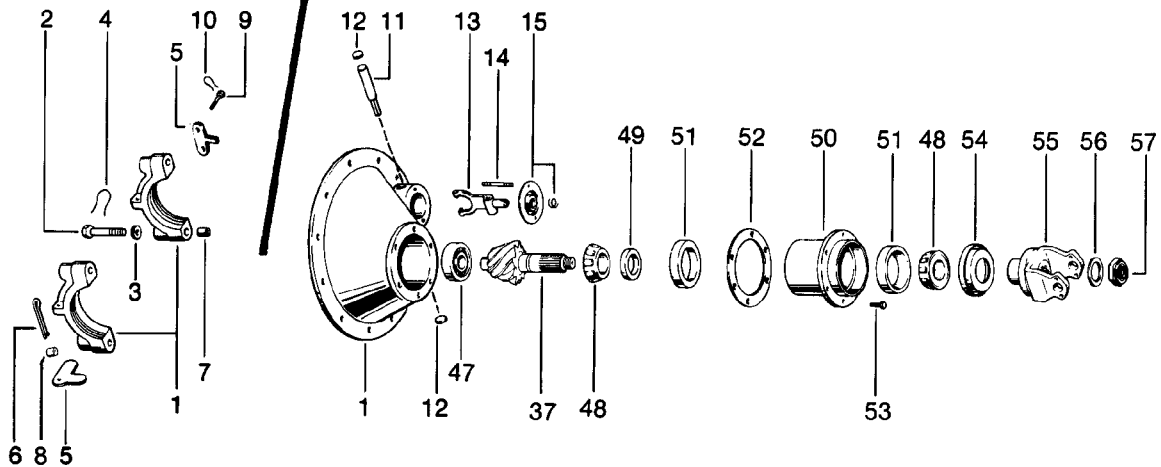
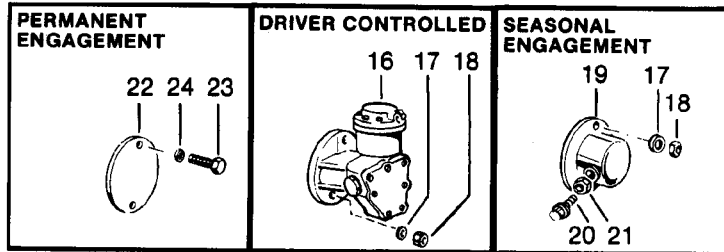
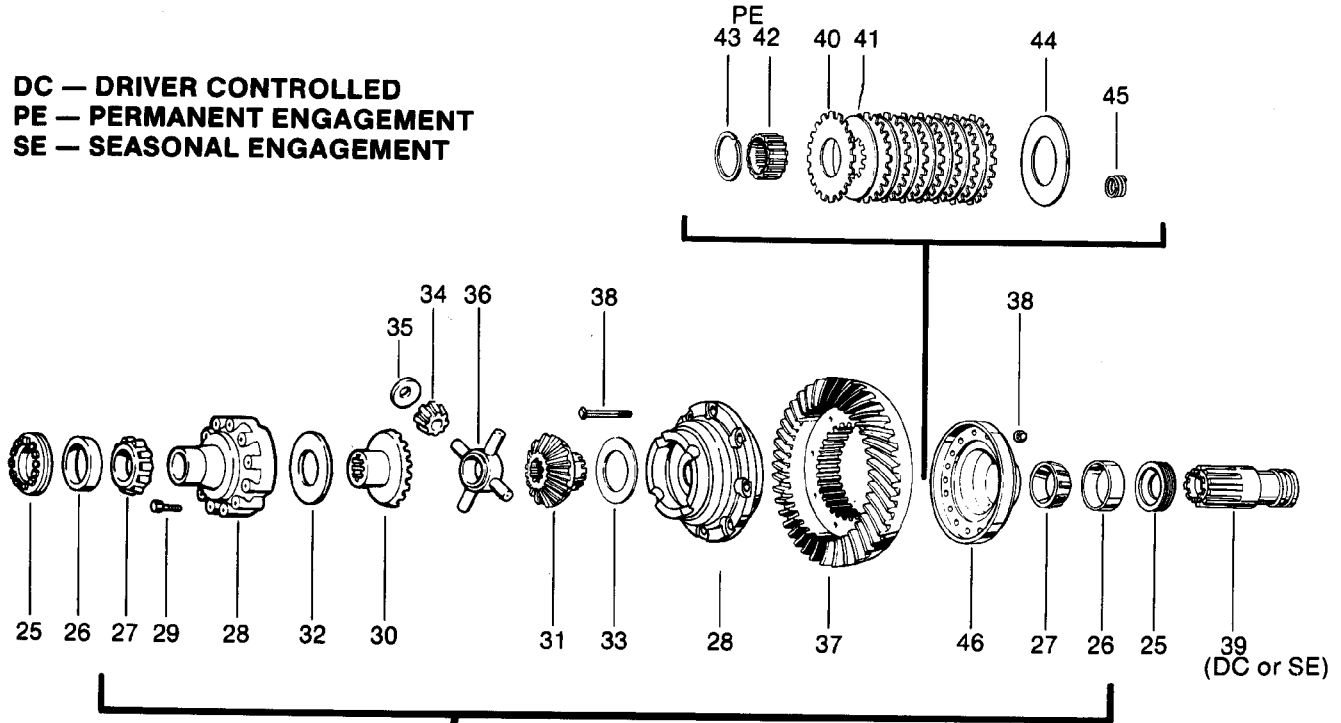


Single Axle Differential Carrier

Single Reduction w/Controlled Traction Differential

Models: 17401, 17421, 21421, 22421

DC — DRIVER CONTROLLED
 PE — PERMANENT ENGAGEMENT
 SE — SEASONAL ENGAGEMENT



Single Axle Differential Carrier

Item	Description	Qty	17401			Notes
			17421	21421	22421	
	BASIC OVERHAUL KIT (Contents identified with*)	1			118688*	
	Diff. Carrier & Bearing Cap Assy	1	67759	67759	109365	Includes 1-4, 7-8, 11-12, 14-15, 17-18, 22 & RTV
	Carrier Casting No. (NSS)		106411	106411	107493	
2	Bearing Cap Screw	4	32732	32732	32732	
3	Flat Washer	4	32912	32912	32912	
4	Lockwire	4	90538	90538	90538	
5	Bearing Cap Adjuster Lock (RH)	1	13377	13377	13377	
	Bearing Cap Adjuster Lock (LH)	1	111120	111120	111120	S.E. & D.C.
	Bearing Cap Adjuster Lock (LH)	1	45448	45448	45448	P.E.
6	Cotter Pin (RH)	1	90813	90873	90873	
7	Dowel Bushing	2	32730	32730	32730	
8	Adjuster Lock Dowel Bushing	2	37746	37746		
9	Cap Screw (LH)	2	12562	12562	12562	
10	Lockwire (LH)	2	12563	12563	12563	
11	Shift Fork Shaft & "O" Ring Assy	1	113801	113801	113801	S.E. & D.C.
12	Upper Expansion Plug	1	30703	30703	30703*	
	Lower Expansion Plug	1	9797	9797	9797*	
13	Shift Fork Assy	1	32613	32613	32613	S.E. & D.C.
14	Shift Unit Stud	2	119863	119863	119863	S.E. & D.C.
15	Shift Fork Seal & Spring Assy	1	119855	119855	119855*	S.E. & D.C.
16	Shift Unit	1	73503	73503	73503	D.C.
17	Flat Washer	2	119857	119857	119857	S.E. & D.C.
18	Stud Nut	2	63028	63028	63028	S.E. & D.C.
19	Shift Fork Cover Retainer Assy	1	83510	83510	83510	S.E.
20	Adjusting Screw (12 pt)	1	83511	83511	83511	S.E.
21	Adjusting Screw Jam Nut	1	59600	59600	59600	S.E.
22	Shift Unit Opening Cover	1	45521	45521	45521	P.E.
23	Cap Screw	2	20807	20807	20807	P.E.
24	Lockwasher	2	90415	90415	90415	P.E.
25	Diff. Bearing Adjuster (RH)	1	110243	110243	110243	
	Diff. Bearing Adjuster (LH)	1	111022	111022	111022	
26	Diff. Bearing Cup (RH)	1	9803	9803	9803*	
	Diff. Bearing Cup (LH)	1	27816	27816	27816*	
27	Diff. Bearing Cone (RH)	1	27813	27813	27813*	
	Diff. Bearing Cone (LH)	1	27817	27817	27817*	
	WHEEL DIFF. CASE KIT	1	124375	124375	124375	Includes Items 28-29
28	Diff. Case (Plain Half) (NSS)	1	210017	210017	210017	
	Diff. & Gear Support Case (NSS)	1	111029	111029	111029	
29	Cap Screw	12	96271	96271	96271	
	WHEEL DIFF. SIDE GEAR & PINION KIT	1	118624	118287	118287	Includes Items 30-36
	WHEEL DIFF. KIT LESS SIDE GEARS	1	120863	120863	120863	Includes Items 32-36
30	Side Gear (RH)(39 Involute Splines)	1	110525			
	Side Gear (RH)(41 Involute Splines)	1		110527	110527	
31	Curvic Side-Gear (LH)	1	111018	111019	111019	
32	Side Gear Thrust Washer (RH)	1	27827	27827	27827*	
33	Curvic Side Gear Thrust Washer (LH)	1	111030	111030	111030*	

Single Axle Differential Carrier

Item	Description	Qty	17401			Notes
			17421	21421	22421	
34	Side Pinion	4	104139	104139	104139	
35	Side Pinion Thrust Washer	4	27810	27810	27810*	
36	Spider	1	38289	38289	38289	
37	RING GEAR & DRIVE PINION SET (Matched Parts) (NSS)					See listing on page 33 Includes Item 57
	RING GEAR BOLT & NUT KIT	1	118290	118290	118290	Includes Item 38
38	Bolt	8	111024	111024	111024	
	Nut	8	84497	84497	84497	
39	Sliding Clutch	1	111021	111021	111021	S.E. & D.C.
	FRICITION PLATE KIT	1	118291	118291	118291	Includes Items 40-41
40	Friction Plate (tanged) (O.D.)	8	111027	111027	111027	
41	Friction Plate (splined)(I.D.)	7	111028	111028	111028	
42	Friction Plate Driver	1	111116	111116	111116	P.E.
43	Driver Snap Ring	1	111115	111115	111115*	P.E.
44	Pressure Plate	1	111025	111025	111025	
	COMPRESSION SPRING KIT	1	118292	118292	118292	Includes Item 45
45	Compression Spring	10	111023	111023	111023	
46	Gear Support Case Cover	1	111026	111026	111026	
47	Pinion Pilot Bearing	1	15828	15828	15828*	
48	Pinion Bearing Cone (Inner)	1	12496	12496	45460*	
	Pinion Bearing Cone (Outer)	1	12496	12496	12496*	
49	Pinion Bearing Spacer	AR				See listing on page 23
50	Pinion Bearing & Cup Assy					Includes Item 51
	17401 (Cage 75107)	1	75108			
	17421 (Cage 75109)	1	75110			
	21421 (Cage 75109)	1				
	3.36, 3.90 - 7.17 (Cage 75107)	1		75110		
	3.55, 3.70	1		75108		
	22421 (Cage 107495)	1			107496	
51	Pinion Bearing Cup (Inner)	1	12495	12495	14217*	
	Pinion Bearing Cup (Outer)	1	12495	12495	12495*	
52	Pinion Bearing Cage Shim	AR				
	.003"		107567	107567	107567*	
	.005"		107568	107568	107568*	
	.010"		107569	107569	107569*	
	.020"		107570	107570	107570*	
	.030"		NLA	NLA	NLA	
53	Bearing Cage Cap Screw	6	113325	113325	113325	
	OIL SEAL & SHIM KIT (S.E. & D.C.)	1	114104	114104	114104	Includes Items 15, 52, 54 & RTV
	OIL SEAL & SHIM KIT (P.E.)	1	114165	114165	114165	Includes Items 52, 54 & RTV
54	Oil Seal	1	119427	119427	119427*	
55	Input Yoke	1				See OEM Catalog
56	Flat Washer	1	4327	56864	56864*	
57	Pinion Nut	1	95205	95206	95206	For 3.70 & 4.11 use 95206 nut
	Gasket Compound (RTV)	AR	107276	107276	107276*	

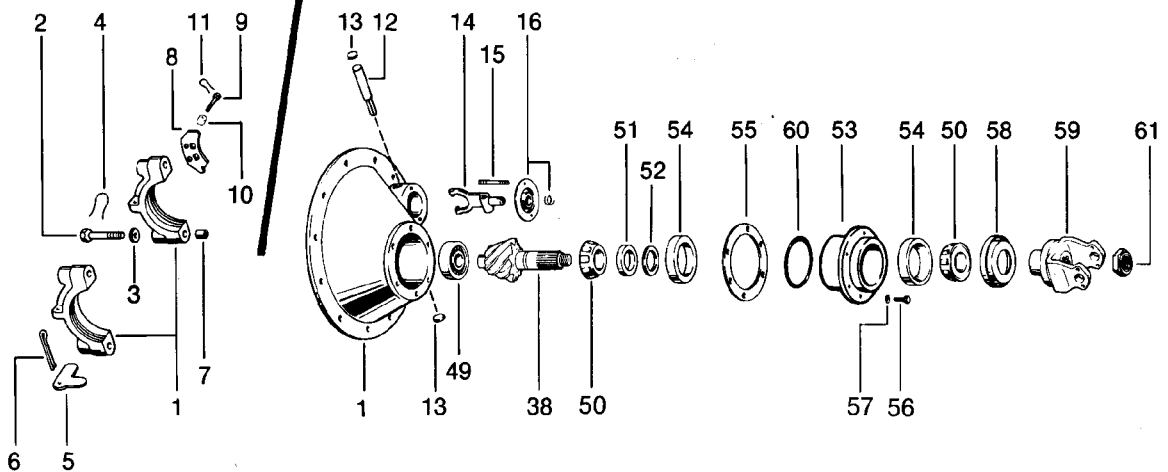
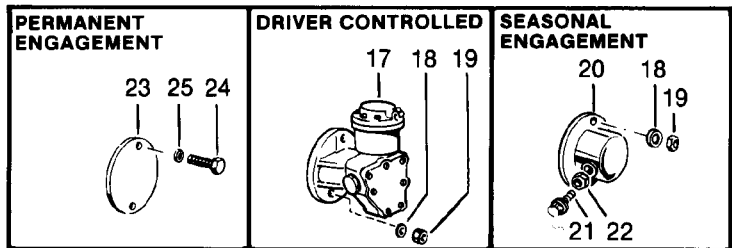
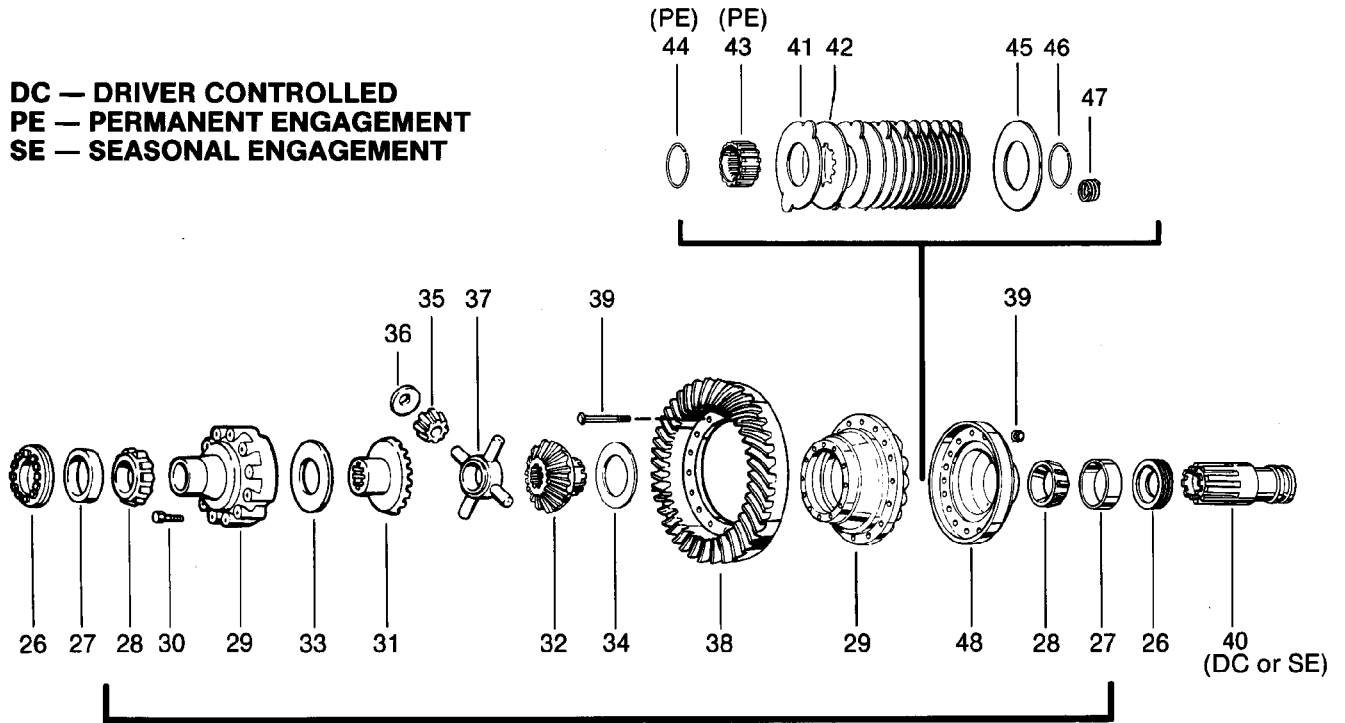
NLA - No Longer Available

Single Axle Differential Carrier

Single Reduction w/Controlled Traction Differential

Models: 23421, 26421, 23085C, 23105C, 26105C, 30105C

DC — DRIVER CONTROLLED
PE — PERMANENT ENGAGEMENT
SE — SEASONAL ENGAGEMENT



Single Axle Differential Carrier

Item	Description	Qty	23105C			Notes
			23421 26421	23085C	26105C 30105C	
	BASIC OVERHAUL KIT	1		122448*	121340*	Contents identified with*
	COMPLETE OVERHAUL KIT	1	115831*			
1	Diff. Carrier & Bearing Cap Assy	1	98590	98590	120981	Includes 1-4, 7, 10, 12-13, 15-16, 18-19, 23 & RTV
	Carrier Casting No. (NSS)		98496	98496	113958	
2	Bearing Cap Screw	2	32732	32732	32732	
		2	32732	32732	127180	
3	Flat Washer	4	32912	32912	32912	
4	Lockwire	4	12563	12563	12563	
5	Bearing Cap Adjuster Lock (RH)	1	14275	14275	14275	
6	Cotter Pin (RH)	1	90876	90876	90876	
7	Dowel Bushing	2	32730	32730	32730	
8	Bearing Cap Adjuster Lock (LH)	1	45448	45448	113976	
9	Cap Screw (LH)	2	12562	12562	12562	
10	Adjuster Dowel Bushing (LH)	2	37746	37746		
11	Lockwire (LH)	2	12563	12563	12563	
12	Shift Fork Shaft & "O" Ring Assy	1	113801	113801	113801	S.E. & D.C.
13	Upper Expansion Plug	1	30703*	30703*	30703*	
	Lower Expansion Plug	1	9797*	9797*	9797*	
14	Shift Fork	1	84508	84508	84508	S.E. & D.C.
15	Shift Unit Stud	2	119863	119863	119863	S.E. & D.C.
16	Shift Fork Seal & Spring Assy	1	119855*	119855*	119855*	S.E. & D.C.
17	Shift Unit	1	73503	73503	73503	D.C.
18	Flat Washer	2	119857	119857	119857	S.E. & D.C.
19	Stud Nut	2	63028	63028	63028	S.E. & D.C.
20	Shift Fork Cover Retainer Assy	1	83510	83510	83510	S.E.
21	Adjusting Screw (12 pt)	1	83511	83511	83511	S.E.
22	Adjusting Screw Jam Nut	1	59600	59600	59600	S.E.
23	Shift Unit Opening Cover	1	45521	45521	45521	P.E.
24	Cap Screw	2	20807	20807	20807	P.E.
25	Lockwasher	2	90415	90415	90415	P.E.
26	Diff. Bearing Adjuster (RH)	1	21637	21637	113885	
	Diff. Bearing Adjuster (LH)	1	82451	82451	119921	
27	Diff. Bearing Cup (RH)	1	15092*	15092*	83824*	
	Diff. Bearing Cup (LH)	1	21632*	21632*	119919*	
28	Diff. Bearing Cone (RH)	1	27876*	27816*	83825*	
	Diff. Bearing Cone (LH)	1	102660*	102660	119918*	
	WHEEL DIFF. CASE KIT	1	98872	98872		Includes Items 29-30
		1			120984	Ratios 3.08-3.90
		1			120982	Ratios 4.11-4.33
		1			120983	Ratios 4.63-6.14
29	Diff. Case (Plain Half) (NSS)	1	86777	86777	113864	
	Diff. & Gear Support Case (NSS)	1	86786	86786		
		1			126205	Ratios 3.08-3.90
		1			126204	Ratios 4.11-4.33
		1			126206	Ratios 4.63-6.14

Single Axle Differential Carrier

Item	Description	Qty	23421	23085C	23105C	Notes
			26421		26105C	
30	Cap Screw	12	88503	88503	88503	
	WHEEL DIFF. SIDE GEAR & PINION KIT	1				Includes Items 31-37
	22 involute splines	1	98942			
	36 involute splines	1	114475	114475		
	39 involute splines	1			107457	
	WHEEL DIFF. LESS SIDE GEARS	1	118749	118749	118749	Includes Items 33, 35-37
31	Side Gear (RH)					
	22 involute splines	1	86784			
	36 involute splines	1	93401*	93401		
	39 involute splines	1			86779	
32	Curvic Side Gear (LH)					
	22 involute splines	1	86787			
	36 involute splines	1	110632*	110632		
	39 involute splines	1			94378	
33	Side Gear Thrust Washer (RH)	1	27274*	27274	27274	
34	Curvic Side Gear Thrust Washer (LH)	1	82442*	82442*	82442*	
35	Side Pinion	4	86780*	86780	86780	
36	Side Pinion Thrust Washer	4	86781*	86781*	86781*	
37	Spider	1	86778*	86778	86778	
38	RING GEAR & DRIVE PINION SET (Matched Parts) (NSS)					See listing on page 33 Includes Item 61
	RING GEAR BOLT & NUT KIT (Includes Item 39)	1	115583	115583		
		1			120987	Ratios 3.08-3.90
		1			120985	Ratios 4.11-4.33
		1			120986	Ratios 4.63-6.14
39	Bolt	16	82454	82454		
		16			113968	Ratios 3.08-3.90
		16			113967	Ratios 4.11-4.33
		16			113969	Ratios 4.63-6.14
	Nut	16	60600	60600	84497	
40	Sliding Clutch	1	86576	86576	113970	
	FRICTION PLATE & DRIVER KIT	1	211360	211360		Includes Items 41-46
	FRICTION PLATE KIT	1	211361	211361	121704	Includes Items 41-42
41	Friction Plate (tanged) (O.D.)	13	82446	82446		
	Friction Plate (tanged) (O.D.)	9			113972	
42	Friction Plate (splined) (I.D.)	12	82445	82445		
	Friction Plate (splined) (I.D.)	8			113971	
43	Friction Plate Driver	1	83565	83565	113998	P.E.
	Friction Plate Driver	1	82449	82449		S.E. & D.C.
44	Driver Snap Ring	1	82444*	82444	113999	P.E.
45	Pressure Plate	1	82447	82447	113973	
46	Pressure Plate Snap Ring	1	82621*	82621		
	COMPRESSION SPRING KIT	1	213377	213377	121528	Includes Item 47
47	Compression Spring	12	82448*	82448		
	Compression Spring	10			119962*	
48	Gear Support Case Cover	1	103190	103190	113974	

Single Axle Differential Carrier

Item	Description	Qty	23421	23085C	23105C	Notes
			26421		26105C	
49	Pinion Pilot Bearing	1	126187*	126187*	120080*	
50	Pinion Bearing Cone (Inner)	1	272398	272398	126286*	
	Pinion Bearing Cone (Outer)	1	14218*	14218*	113868*	
51	Pinion Bearing Spacer	AR				See listing on page 23
52	Pinion Bearing Spacer Washer	1	31366	31366*		
53	Pinion Bearing Cage & Cup Assy	1	79246	79246	126290	Includes Item 54
	Cage (NSS)		79245	79245	126289	
54	Pinion Bearing Cup (Inner)	1	27238*	27238*	126287*	
	Pinion Bearing Cup (Outer)	1	14217*	14217*	113869*	
55	Pinion Bearing Cage Shim	AR				
	.003"		61920*	67920*	113876*	
	.005"		67921*	67921*	113877*	
	.010"		67922*	67922*	113878*	
	.020"		67923*	67923*	113879*	
	.030"		67924*	67924*	113880*	
56	Bearing Cage Cap Screw	6	113327	113327	113867	
57	Lockwasher	6	90422	90422		
	OIL SEAL & SHIM KIT	1	115582	121818		Includes 16, 55, 58 & RTV
	OIL SEAL & SHIM KIT	1	115581	122436	119796	Includes 55, 58 & RTV
58	Oil seal	1	119432*			
	Oil Seal & Retainer Assy	1		113866*	113866*	
59	Input Yoke	1				see OEM Catalog
60	"O" Ring	1			113881*	
61	Pinion Nut	1	95262*	210508	95262	
62	Yoke Spacer (not illustrated)	1			126940*	
63	Pinion Nut Washer (not illustrated)	1		210509		
	Gasket Compound (RTV)	AR	107276*	107276*	107276*	

Input and Output Yokes

Models: DC341, DC381(P), DC401-P, DC402(P), DC451-P, RC341, RC381, RC401, RC402, RC451

During the 4th Quarter of 1990, Spicer began using new seals and yoke & slingers on the above models in this publication. The new seals and slingers are noticeably different from the current seals and will affect interchangeability.

- The upgraded seals can be used on axles originally equipped with the old seals.
- Spicer recommends the replacement of old yoke & slinger assemblies when the new seals are installed; however, the old yokes and slingers will work with the new seals.
- New yoke and slinger assemblies **cannot** be used with the old seal design on the forward tandem axles.
- New yoke and slinger assemblies **can** be used with the old seal on the tandem rear pinions.
- Yoke Assembly & Oil Seal Kits contain oil seal, yoke & slinger and instructions.
- Most non-Spicer aftermarket seals **will not** be compatible with the new Spicer yoke and slinger assemblies.
- Spicer recommends the use of special installation tools conveniently packaged in the single kit (listed below).

Forward Axle Models

New Input (Yoke & Mudslinger Assy.)

44 Involute 2.25" Spline

Yoke Series	Joint Angle	Style	Yoke & Slinger	Oil Seal	Yoke Assy. & Oil Seal Kit
1610	(22°)	B	127750	127719	213172
1710	(27.5°)	C	127754	127719	213169
1710	(27.5°)	B	127752	127719	213174
1760	(30°)	C	127755	127719	213170
1760	(30°)	B	127751	127719	213173
1810	(30°)	C	127753	127719	213168
1810	(30°)	B	127749	127719	213171

Oil Seal Driver Installation Kit 212139 Includes:

- Instruction Sheet
- 128917 Driver Seal (Forward Input & Rear Pinion)
- 127787 Driver Seal Adapter (Forward Input)
- 127786 Driver Seal (Forward Output)

New Output Yoke (Yoke & Mudslinger Assy.)

34 Involute 1.75" Spline

Yoke Series	Joint Angle	Style	Yoke & Slinger	Oil Seal	Yoke Assy. & Oil Seal Kit
1610	(29.5°)	C	127741	127720	213178
1610	(45°)	C	127738	127720	213175
1710	(45°)	C	127740	127720	213177
1710	(33.5°)	C	127739	127720	213176

Rear Axle Models

New Pinion Yoke

New Input (Yoke & Mudslinger Assy.)

39 Involute 1.95" Spline

Yoke Series	Joint Angle	Style	Yoke & Slinger	Oil Seal	Yoke Assy. & Oil Seal Kit
1610	(23°)	C	127746	127721	213183
1610	(35.5°)	C	127745	127721	213182
1610	(45°)	C	127743	127721	213180
1710	(33.5°)	C	127744	127721	213181
1710	(45°)	C	127742	127721	213179

B - Half Round (Brg. Strap - Tapped Holes)

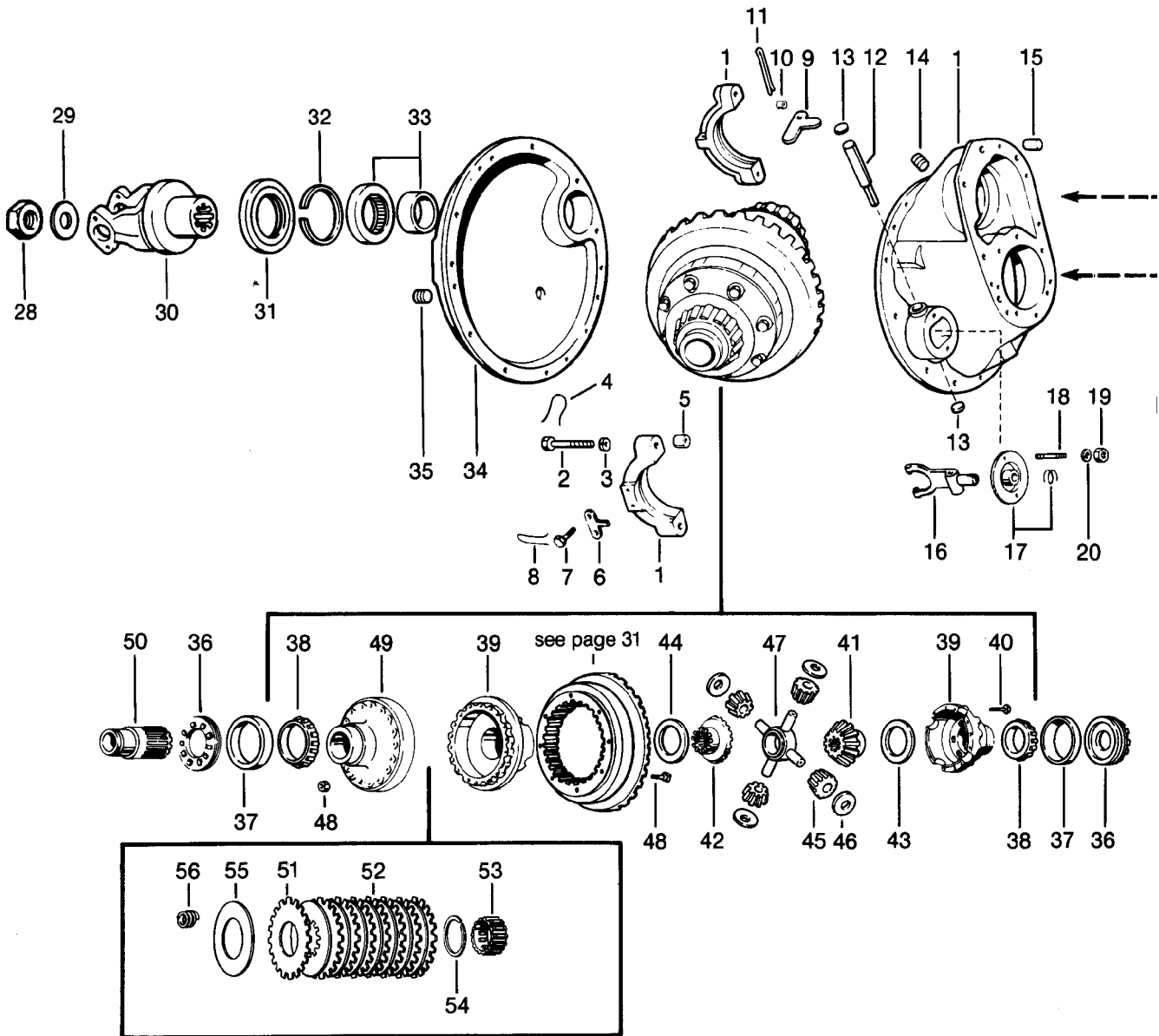
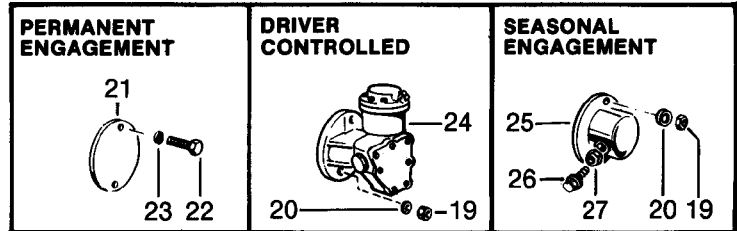
C - Full Round

For more information, see technical service bulletin 90-06.

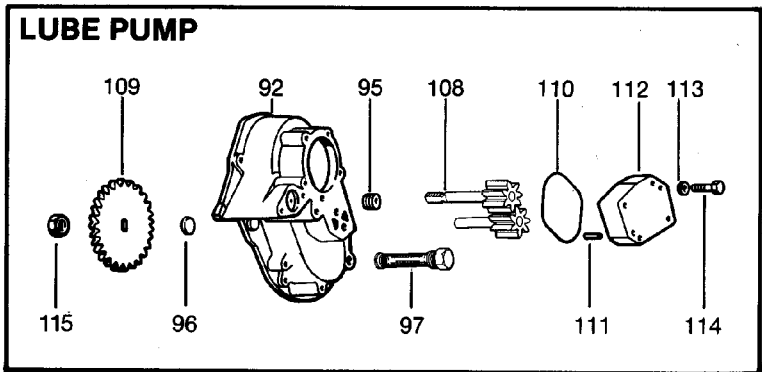
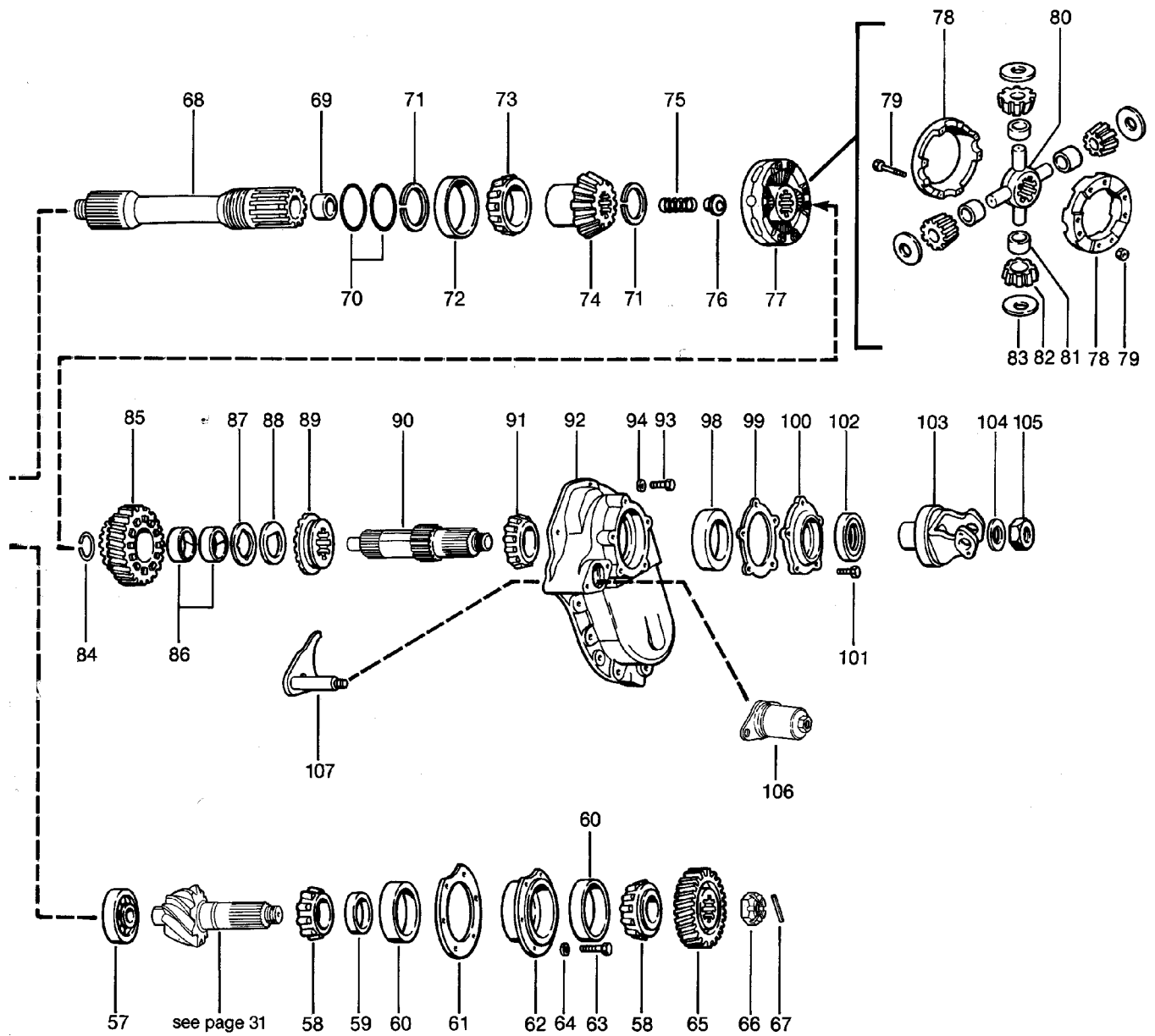
Tandem Forward Axle Differential Carrier

Single Reduction w/Controlled Traction Differential

Models: DC341, DC381(P), DC401-P, DC402(P), DC451-P



Tandem Forward Axle Differential Carrier



Tandem Forward Axle Differential Carrier

DC341
DC381(P)
DC402(P)
DC401-P
DC451-P

Item	Description	Qty	DC341 DC381(P) DC402(P) DC401-P DC451-P	Notes
	BASIC OVERHAUL KIT (Contents identified with *)	1	213422	
1	Diff. Carrier & Bearing Caps Carrier Casting No. (NSS)	1	115825 110816	Includes Items 1-5, 10, 12-15, 17-21 & RTV
2	Bearing Cap Screw	4	32732	
3	Flat Washer	4	32912	
4	Lockwire	4	90538	
5	Dowel Bushing	2	32730	
6	Bearing Cap Adjuster Lock (RH)	1	111120	S.E. & D.C.
	Bearing Cap Adjuster Lock (RH)	1	45448	P.E.
7	Cap Screw (RH)	2	12562	
8	Lockwire (RH)	2	12563	
9	Bearing Cap Adjuster Lock (LH)	1	13377	
10	Adjuster Lock Dowel Bushing (LH)	1	37746	
11	Cotter Pin (LH)	1	90873	
12	Shift Fork Shaft & "O" Ring Assy	1	113801	S.E. & D.C.
13	Upper Expansion Plug	1	30703*	
	Lower Expansion Plug	1	9797*	
14	Filler Plug	1	90325	
15	Carrier Cover Dowel Pin	2	7641	
16	Shift Fork	1	32613	S.E. & D.C.
17	Shift Fork Seal & Spring Assy	1	119855*	S.E. & D.C.
18	Shift Unit Stud	2	119863	S.E. & D.C.
19	Stud Nut	2	63028	S.E. & D.C.
20	Flat Washer	2	119857	S.E. & D.C.
21	Shift Unit Opening Cover	1	45521	P.E.
22	Cap Screw	2	20807	P.E.
23	Lockwasher	2	90415	P.E.
24	Shift Unit	1	73507	D.C.
25	Shift Fork Cover Retainer Assy	1	83510	S.E.
26	Adjuster Screw (12 pt)	1	83511	S.E.
27	Adjuster Screw Jam Nut	1	59600	S.E.
28	End Nut	1	95205	
29	Flat Washer	1	4327*	
30	Yoke (NOTE 1)	1		See Chart on page 11
31	Output Shaft Oil Seal (NOTE 1)	1	127720*	
32	Snap Ring	1	45516*	
33	Bearing & Sleeve Assy	1	46584	
	Inner Bearing Race		118789*	
	Outer Bearing Race		118790*	
34	Axle Housing Cover Assy Cover 127781 (NSS) (Cast # 127708)	1	107320	Includes Items 31, 33, 35

NOTE 1: Please review information on top of page 11 before ordering oil seals.

NOTE 2: 213608 replaces P/N 104509 in pump models only.

Tandem Forward Axle Differential Carrier

Item	Description	Qty	DC341 DC381(P) DC402(P) DC401-P DC451-P	Notes
35	Magnetic Filler Plug 3/4"	1	54254	
	Magnetic Plug 1"	1	75130†	† Included in Kit 107320
	Hole Plug	1	90898†	
36	Diff. Bearing Adjuster RH)	1	111022	
	Diff. Bearing Adjuster LH)	1	110243	
37	Diff. Bearing Cup (RH)	1	27816*	
	Diff. Bearing Cup (LH)	1	9803*	
38	Diff. Bearing Cone (RH)	1	27817*	
	Diff. Bearing Cone (LH)	1	27813*	
	WHEEL DIFF. CASE KIT	1	124375	Includes Items 39-40
39	Diff. Case (Plain Half (NSS)	1	210017	
	Diff. & Gear Support Case (NSS)	1	111029	
40	Cap Screw	12	96271	
	WHEEL DIFF. SIDE GEAR & PINION KIT	1		Includes Items 41-47
	341 (39 involute spline)		118624	
	381, 402 (41 involute spline)		118287	
	401, 451 (33 involute spline)		118417	
	WHEEL DIFF. KIT LESS SIDE GEARS	1	120863	Includes Items 43-47
41	Side Gear (RH)	1		
	341 (39 involute spline)		110525	
	381, 402 (41 involute spline)		110527	
	401, 451 (33 involute spline)		85486	
42	Curvic Side Gear (LH)	1		
	341 (39 involute spline)		111018	
	381, 402 (41 involute spline)		111019	
	401, 451 (33 involute spline)		111020	
43	Side Gear Thrust Washer (RH)	1	27827*	
44	Curvic Side Gear Thrust Washer (LH)	1	111030*	
45	Side Pinion	4	104139	
46	Side Pinion Thrust Washer	4	27810*	
47	Spider	1	38289	
	RING GEAR & DRIVE PINION SET (Matched Parts) (NSS)	1		See listing on page 34 Includes Items 66, 67
	RING GEAR NUT & BOLT KIT	1	118290	Includes Item 48
48	Bolt	8	111024	
	Nut	8	84497	
49	Gear Support Case Cover	1	111026	
50	Sliding Clutch	1	111021	S.E. & D.C.
	FRICTION PLATE KIT	1	118291	Includes Items 51-52
51	Friction Plate (O.D. Splined)	8	111027	
52	Friction Plate (I.D. Splined)	7	111028	
53	Friction Plate Driver	1	111116	P.E.

NOTE 1: Please review information on top of page 11 before ordering oil seals.

NOTE 2: 213608 replaces P/N 104509 in pump models only.

Tandem Forward Axle Differential Carrier

DC341
DC381(P)
DC402(P)
DC401-P
DC451-P

Item	Description	Qty		Notes
54	Driver Snap Ring	1	111115*	P.E.
55	Pressure Plate	1	111025	
	COMPRESSION SPRING KIT	1	118292	Includes Item 56
56	Compression Spring	10	111023	
57	Pinion Pilot Bearing	1	15828*	
58	Pinion Bearing Cone (Inner)	1	85439*	
	Pinion Bearing Cone (Outer)	1	110846*	
59	Pinion Bearing Spacer	AR		See listing on page 23
60	Pinion Bearing Cup (Inner)	1	14217*	
	Pinion Bearing Cup (Outer)	1	35502*	
61	Pinion Bearing Cage Shim	AR		
	.003"		45461*	
	.005"		62829*	
	.010"		45462*	
	.020"		62830*	
	.030"		45463*	
62	Pinion Bearing Cage & Cup Assy			Includes Item 60
	Ratios 3.55-3.70	1	110731	
	Cage		110130	
	Ratios 3.36, 3.90-7.17	1	110733	
	Cage		110732	
63	Bearing Cage Cap Screw	6	62158	
64	Lockwasher	6	37207	
65	Pinion Helical Gear	1	110845	
66	Slotted Nut	1	118806	
67	Roll Pin	1	118807	
68	Output Shaft & Bushing Assy	1	115123	Includes Items 28, 69-70, 75-76
	Shaft (NSS) 34 splines, 1.750" dia.		110818	
69	Output Shaft Bushing	1	48922*	
70	Output Shaft "O" Ring	2	46526*	
71	Side Gear Snap Ring	2	85994*	
72	Output Shaft Bearing Cup	1	110811*	
73	Output Shaft Bearing Cone	1	110812*	
74	Output Shaft Side Gear	1	110810	
75	Output Shaft Spring	1	51238*	
76	Output Shaft Spring Thrust Bearing	1	51228*	
77	Inter-axle Diff. Assy			
	w/Pump Model Includes Items 78-81, 83	1	213608	NOTE 2
	w/o Pump Models Includes Items 78-83	1	104509	

NOTE 1: Please review information on top of page 11 before ordering oil seals.

NOTE 2: 213608 replaces P/N 104509 in pump models only.

Tandem Forward Axle Differential Carrier

Item	Description	Qty	DC341 DC381(P) DC402(P) DC401-P DC451-P	Notes
78	DIFF. CASE KIT Includes Item 79			
	w/o Pump	1	94810	
	w/Pump	1		
	Cases (NSS)			
	w/o Pump	2	102621	
	w/Pump	2	127784	NOTE 2
79	Bolt	8	85438	
	Nut	8	57637	
	DIFF. SIDE PINION & SPIDER KIT Includes Items 80-83	1		
	w/o Pump		96381	
	w/Pump			
80	Spider			
	w/o Pump	1	95216	
	with Pump	1	127783	
81	Side Pinion Bushing			
	w/o Pump	4	95215*	
	with Pump	4		
82	Side Pinion			
	w/o Pump	4	95214	
	with Pump	4	95214	
83	Side Pinion Thrust Washer			
	w/o Pump	4	85437*	
	with Pump	4	127785	NOTE 2
84	Helical Gear Snap Ring	1	85997*	
85	Helical Side Gear & Bushing Assy	1	128042	Includes Item 86
	Side Gear (NSS)		128018	
86	Helical Side Gear Bushing	2	85991*	
87	Helical Side Gear Thrust Washer	1	85429*	
88	Helical Gear "D" Washer	1	45478	
89	Lockout Sliding Clutch	1	128016	
90	Input Shaft & Nut			Includes Items 88, 105
	Models w/o Lube Pump	1	115122	
	Shaft (NSS) 44 splines, 2.250" dia.		110823	
	Models w/Lube Pump	1	115126	
	Shaft (NSS) 44 splines, 2.250" dia.		110805	
91	Input Shaft Bearing Cone	1	91136*	
92	Power Divider Cover Assy			
	Models w/o Lube Pump	1	45481	
	Models w/ Lube Pump	1	102627†	† Includes Items 95-96
	Cover 102606			

NOTE 1: Please review information on top of page 11 before ordering oil seals.

NOTE 2: 213608 replaces P/N 104509 in pump models only.

DC341
DC381(P)
DC402(P)
DC401-P
DC451-P

Item	Description	Qty		Notes
93	Carrier Cover Cap Screw			
	Models w/o Lube Pump	5	90069	
		4	12063	
	Models w/Lube Pump	5	90069	
		4	12063	
94	Lockwasher	9	90417	
95	Pipe Plug	1	00325	
96	Expansion Plug	1	9797	
97	Magnetic Filter Screen	1	102611	
98	Input Bearing Cup	1	98388*	
99	Input Bearing Cover Shim	AR		
	.003"		45498*	
	.005"		70709*	
	.010"		45499*	
	.020"		85406*	
100	Input Bearing Cover, Cup & Seal Assy			Includes Items 98, 102
	(Cover 110825 NSS) w/o lube pump	1	211634	
	(Cover 110807 NSS) w/lube pump	1	211888	
101	Bearing Cover Cap Screw	5	113324	
	OIL SEAL & SHIM KIT	1	114465	Includes Items 31, 61, 99, 102 & RTV
102	Input Shaft Oil Seal (NOTE 1)	1	127719*	
103	Input Yoke (NOTE 1)	1		See Chart on page 11
104	Flat Washer	1	85404*	
105	Input Shaft Nut	1	95207	
106	Lockout Assy	1		See Chart on page 36 Includes Item 107
107	Shift Fork Assy			
	w/o lube pump	1	45859	
	w/lube pump	1	102613	
	LUBE PUMP REPLACEMENT KIT	1	106368	Includes Items 108-115
108	Oil Pump Gear & Shaft Assy (NSS)	1	102625	
	Oil Pump Gear & Shaft Assy (NSS)	1	111779	
109	Oil Pump Drive Gear	1	111448	
110	Cover "O" Ring	1	102620*	
111	Cover Dowel Pin	2	102617	
112	Pump Cover	1	102607	
113	Lockwasher	4	90419	
114	Cap Screw	4	102618	
115	Drive Gear Locknut	1	111451	
	Gasket Compound (RTV)	AR	107276*	

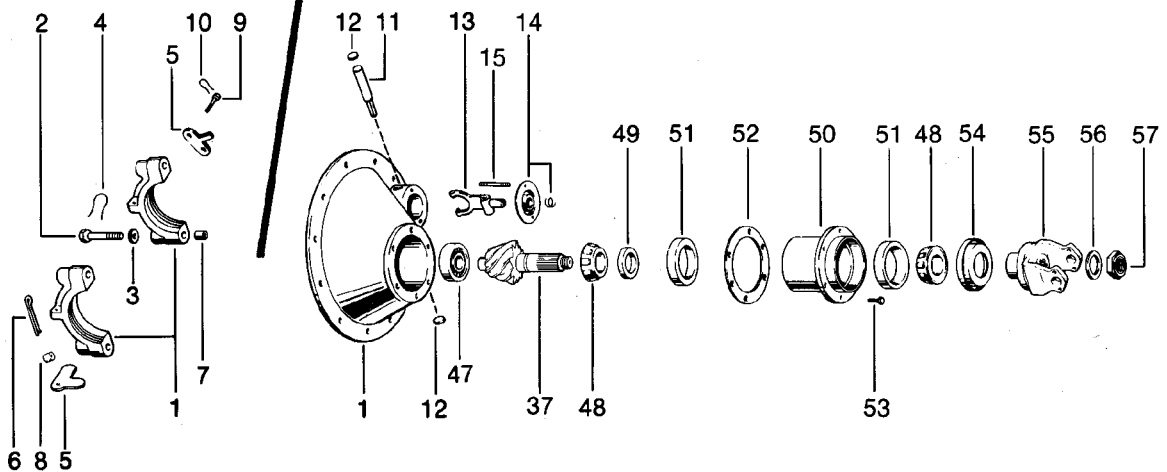
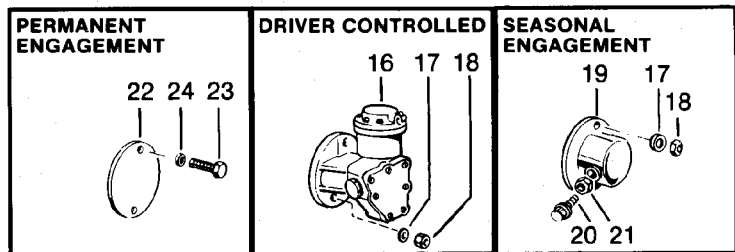
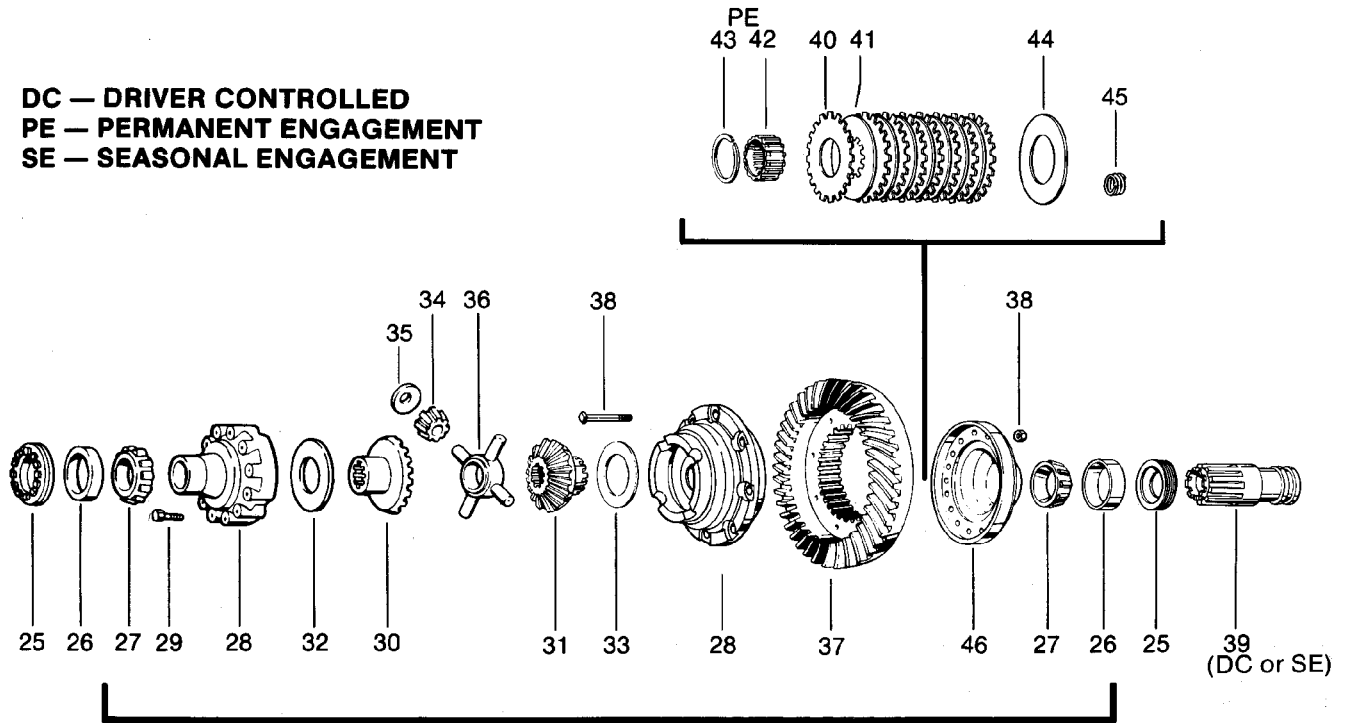
NOTE 1: Please review information on top of page 11 before ordering oil seals.

NOTE 2: 213608 replaces P/N 104509 in pump models only.

Tandem Rear Axle Differential Carrier

Single Reduction w/Controlled Traction Differential
 Models: RC341, RC381, RC401, RC402, RC451

DC — DRIVER CONTROLLED
PE — PERMANENT ENGAGEMENT
SE — SEASONAL ENGAGEMENT



Tandem Rear Axle Differential Carrier

Item	Description	Qty	RC341 RC381 RC401 RC402 RC451	Notes
1	Diff. Carrier & Bearing Caps	1	67759	Includes 1-4, 7, 11-12, 18, 22 & RTV
	Carrier Casting No. (NSS)	1	106411	
2	Bearing Cap Screw	4	32732	
3	Flat Washer	4	32912	
4	Lockwire	2	90538	
5	Bearing Cap Adjuster Lock (RH)	1	13377	
	Bearing Cap Adjuster Lock (LH)	1	111120	S.E. & D.C.
	Bearing Cap Adjuster Lock (LH)	1	45448	P.E.
6	Cotter Pin (RH)	1	90873	
7	Dowel Bushing	2	32730	
8	Adjuster Lock Dowel Bushing	2	37746	
9	Cap Screw (LH)	2	12562	
10	Lockwire (LH)	2	12563	
11	Shift Fork Shaft & "O" Ring Assy	1	113801	S.E. & D.C.
12	Upper Expansion Plug	1	30703	
	Lower Expansion Plug	1	9797	
13	Shift Fork	1	32613	S.E. & D.C.
14	Shift Fork Seal & Spring Assy	1	119855	S.E. & D.C.
15	Shift Unit Stud	2	119863	S.E. & D.C.
16	Shift Unit	1	73503	D.C.
17	Flat Washer	2	119857	S.E. & D.C.
18	Stud Nut	2	63028	S.E. & D.C.
19	Shift Fork Cover Retainer Assy	1	83510	S.E.
20	Adjusting Screw (12 pt)	1	83511	S.E.
21	Adjusting Screw Jam Nut	1	59600	S.E.
22	Shift Unit Opening Cover	1	45521	P.E.
23	Cap Screw	2	20807	P.E.
24	Lockwasher	2	90415	P.E.
25	Diff. Bearing Adjuster (RH)	1	110243	
	Diff. Bearing Adjuster (LH)	1	111022	
26	Diff. Bearing Cup (RH)	1	9803	
	Diff. Bearing Cup (LH)	1	27816	
27	Diff. Bearing Cone (RH)	1	27813	
	Diff. Bearing Cone (LH)	1	27817	
	WHEEL DIFF. CASE KIT	1	124375	Includes Items 28-29
28	Diff. Case (Plain Half (NSS)	1	210017	
	Diff. & Gear Support Case (NSS)	1	111029	
29	Cap Screw	12	96271	
	WHEEL DIFF. SIDE GEAR & PINION KIT	1		Includes Items 30-36
	341 (39 involute spline)		118624	
	381, 402 (41 involute spline)		118287	
	401, 451 (33 involute spline)		118417	

NOTE 1: Please review information on top of page 11 before ordering oil seals.
NLA - No longer available.

Tandem Rear Axle Differential Carrier

Item	Description	Qty	RC341 RC381 RC401 RC402 RC451	Notes
	WHEEL DIFF. KIT LESS SIDE GEARS	1	120863	Includes Items 32-36
30	Side Gear (RH)	1		
	341 (39 involute spline)		110525	
	381, 402 (41 involute spline)		110527	
	401, 451 (33 involute spline)		85486	
31	Curvic Side Gear (LH)	1		
	341 (39 involute spline)		111018	
	381, 402 (41 involute spline)		111019	
	401, 451 (33 involute spline)		111020	
32	Side Gear Thrust Washer (RH)	1	27827	
33	Curvic Side Gear Thrust Washer (LH)	1	111030	
34	Side Pinion	4	104139	
35	Side Pinion Thrust Washer	4	27810	
36	Spider	1	38289	
37	RING GEAR & DRIVE PINION SET (Matched Parts) (NSS)	1		See listing on page 37 Includes Item 57
	RING GEAR NUT & BOLT KIT	1	118290	Includes Item 37
38	Bolt	8	111024	
	Nut	8	84497	
39	Sliding Clutch	1	111021	S.E. & D.C.
	FRICTION PLATE KIT	1	118291	Includes Items 40-41
40	Friction Plate (O.D. Splined)	8	111027	
41	Friction Plate (I.D. Splined)	7	111028	
42	Friction Plate Driver	1	111116	P.E.
43	Driver Snap Ring	1	111115	P.E.
44	Pressure Plate	1	111025	
	COMPRESSION SPRING KIT	1	118292	Includes Item 45
45	Compression Spring	10	111023	
46	Gear Support Case Cover	1	111026	
47	Pinion Pilot Bearing	1	15828	
48	Pinion Bearing Cone (Inner)	1	12496	
	Pinion Bearing Cone (Outer)	1	12496	
49	Pinion Bearing Spacer	AR		See listing on page 23
50	Pinion Bearing Cage & Cup Assy			Includes Item 51
	Ratios 3.55-3.70	1	75108	
	Cage		75107	
	Ratios 3.36, 3.90-7.17	1	75110	
	Cage		75109	
51	Pinion Bearing Cup (Inner)	1	12495	
	Pinion Bearing Cup (Outer)	1	12495	

NOTE 1: Please review information on top of page 11 before ordering oil seals.
NLA - No longer available.

Item	Description	Qty	RC341 RC381 RC401 RC402 RC451	Notes
52	Pinion Bearing Cage Shim	AR		
	.003"		107567	
	.005"		107568	
	.010"		107569	
	.020"		107510	
	.030"		NLA	
53	Bearing Cage Cap Screw	6	113325	
	Oil SEAL & SHIM KIT (NOTE 1) Includes Items 14, 52, 54, & RTV	1	114104	S.E. & D.C.
	Oil SEAL & SHIM KIT (P.E.) (NOTE 1)	1	213764	P.E.
54	Oil Seal (NOTE 1)	1	127721	
55	Yoke (NOTE 1)	1		See Chart on page 11
56	Flat Washer	1	56864	
51	Pinion Nut	1	95206	
	Gasket Compound (RTV)	AR	107276	

NOTE 1: Please review information on top of page 11 before ordering oil seals.

NLA - No longer available.

Pinion Bearing Spacers

Models: 17401, 17421, 21421, 22421, RC341, RC381, RC401, RC402, RC451

.623"-91552	.631"-91560*	.639"-91580*	.647"-91606
.624"-91553	.632"-91561*	.640"-91584*	.648"-91608
.625"-91554	.633"-91562*	.641"-91588*	.649"-91609
.626"-91555	.634"-91564*	.642"-91592*	.650"-91610
.627"-91556	.635"-91566*	.643"-91596*	.651"-91611
.628"-91557	.636"-91568*	.644"-91600*	.652"-91612
.629"-91556	.637"-91572*	.645"-91602*	.653"-91614
.630"-91559	.638"-91576*	.646"-91604*	.654"-91615

Models: 23421, 26421, 23085C, DC481-P, DC521-P, RC461, RC521, DC460-P, DC480-P, RC460, RC480

.167"-91679	.176"-91688	.185"-91702*	.194"-91719*
.168"-91680	.177"-91689	.186"-91704*	.195"-91720*
.169"-91681	.178"-91690	.187"-91706*	.196"-91721
.170"-91682	.179"-91691*	.188"-91708*	.197"-91722
.171"-91683	.180"-91692*	.189"-91710*	.198"-91723
.172"-91684	.181"-91694*	.190"-91712*	.199"-91724
.173"-91685	.182"-91696*	.191"-91714*	.200"-91725
.174"-91686	.183"-91698*	.192"-91716*	.201"-91726
.175"-91687	.184"-91700*	.193"-91718*	.202"-91727

Models: DC341, DC381(P), DC401-P, DC402(P), DC451-P

.472"-110736	.481"-110745*	.490"-110760*	.499"-110792*
.473"-110737	.482"-110746*	.491"-110764*	.500"-110794
.474"-110738	.483"-110747*	.492"-110768*	.501"-110796
.475"-110739	.484"-110748*	.493"-110772*	.502"-110798
.476"-110140	.485"-110749*	.494"-110776*	.503"-110799
.477"-110741	.486"-110750*	.495"-110780*	.504"-110800
.478"-110742	.487"-110752*	.496"-110784*	.505"-110801
.479"-110743	.486"-110754*	.497"-110788*	.506"-110802
.480"-110744	.489"-110756*	.498"-110790*	.507"-110803

*Most popular

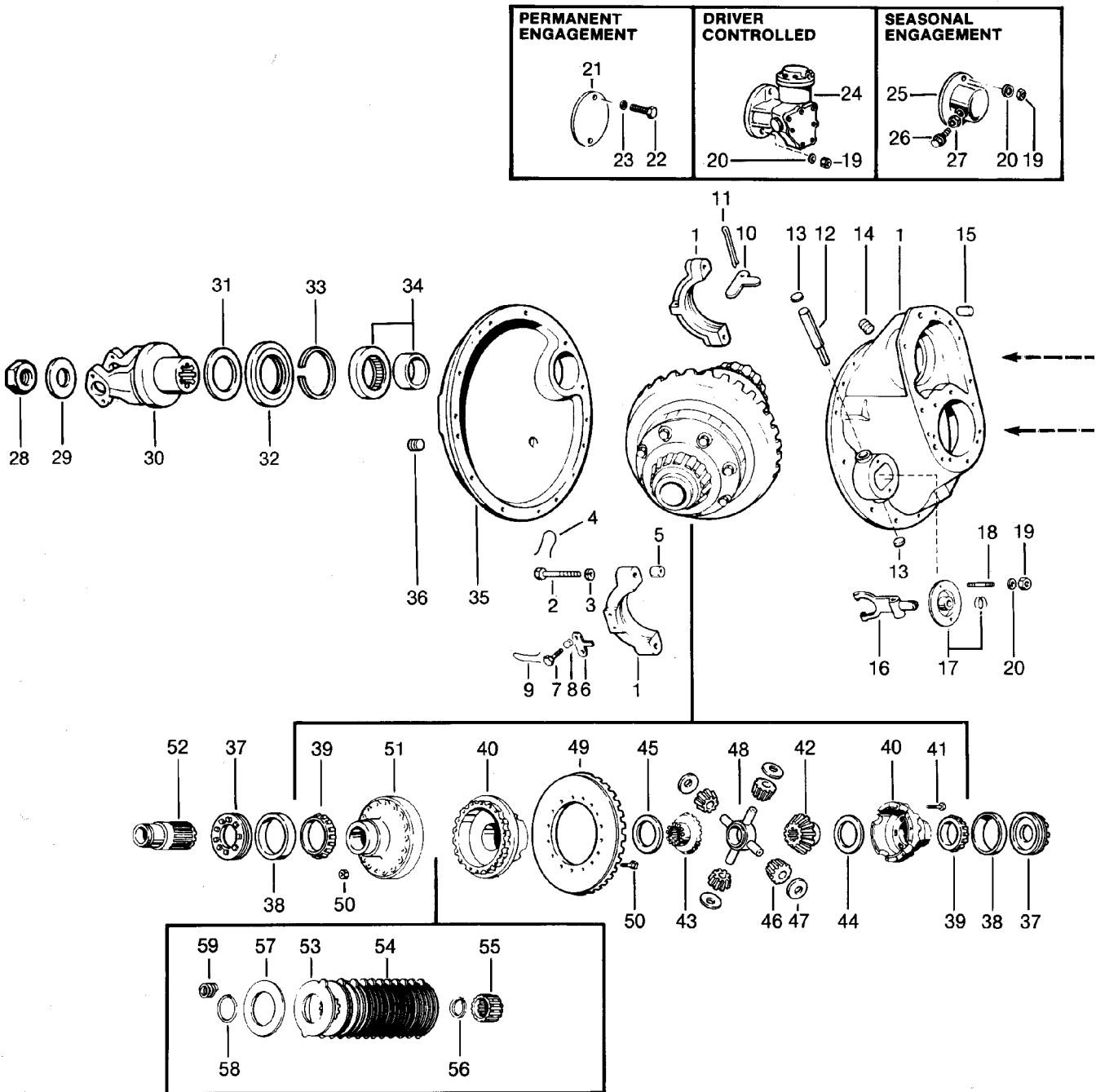
Models: 23105C, 26105C, 30105C

.5063	113898	.5205	113910*
.5075	113899	.5217	113911*
.5087	113900	.5220	113912*
.5098	113901	.5224	113913*
.5110	113902	.5228	113914*
.5122	113903*	.5232	113915*
.5134	113904*	.5236	113916*
.5146	113905*	.5240	113917*
.5157	113906*	.5244	113918
.5169	113907*	.5248	113919
.5181	113908*	.5252	113920
.5193	113909*	.5256	113921
.5260	113922	.5307	113934
.5264	113923	.5311	113935
.5268	113924	.5315	113936
.5272	113925	.5327	113937
.5276	113926	.5339	113938
.5280	113927	.5350	113939
.5283	113928	.5362	113940
.5287	113929	.5374	113941
.5291	113930	.5386	113942
.5295	113931	.5398	113943
.5299	113932	.5409	113944
.5303	113933	.5421	113945

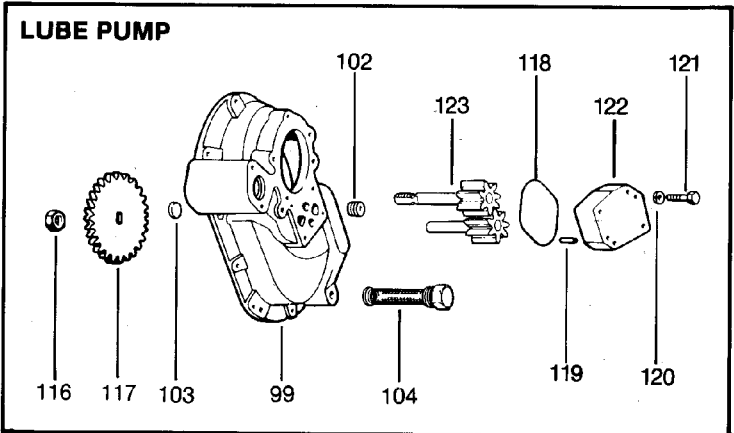
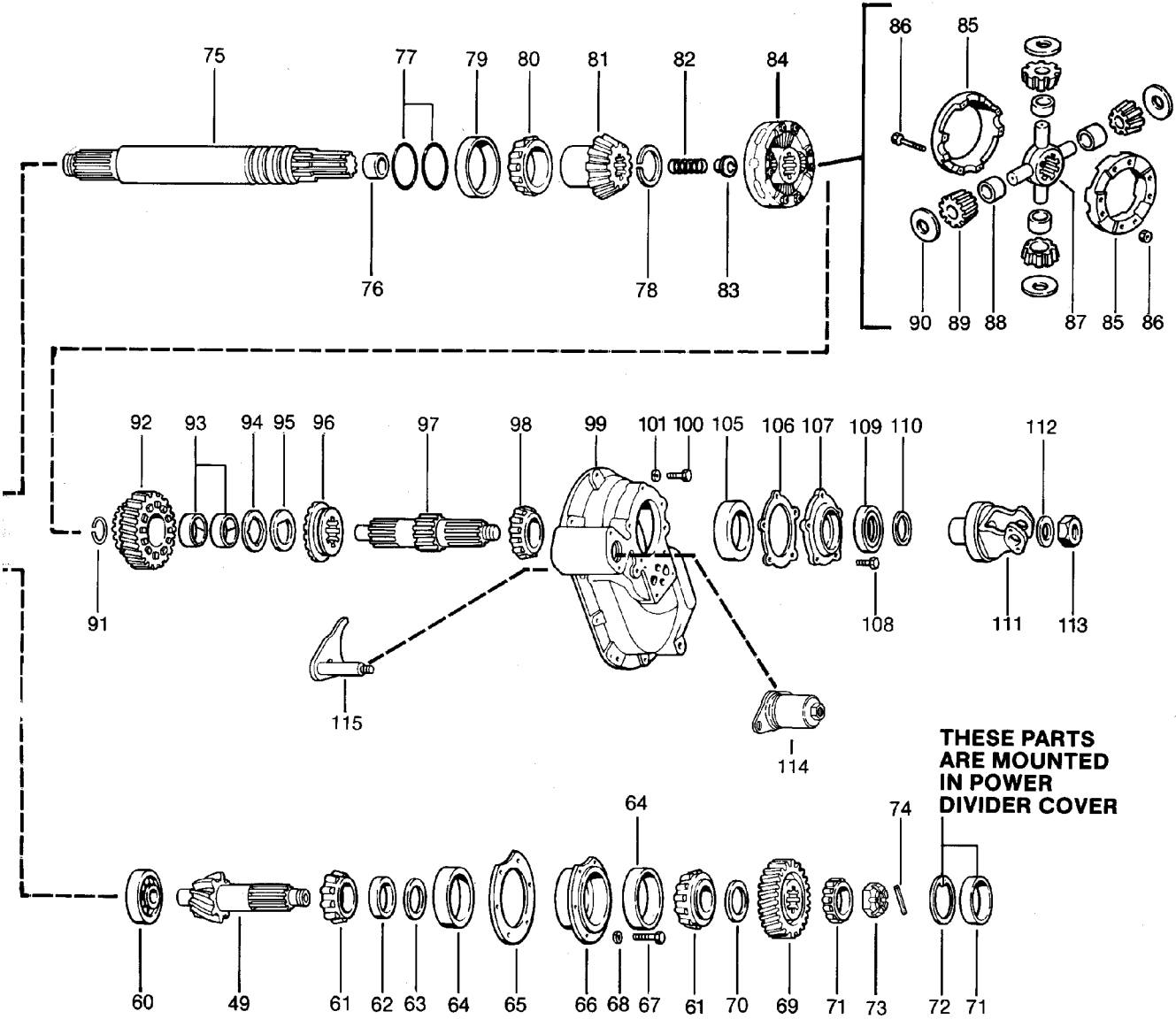
Tandem Forward Axle Differential Carrier

Single Reduction w/Controlled Traction Differential

Models: DC-461-P, DC521-P, DC460-P, DC480-P



Tandem Forward Axle Differential Carrier



Tandem Forward Axle Differential Carrier

Item	Description	Qty	DC461-P DC521-P	DC460-P DC480-P	Notes
	BASIC OVERHAUL KIT (Contents identified with*)	1	122657*	118124*	
1	Diff. Carrier & Bearing Caps Carrier Casting No. (NSS)	1	106710 110500	106710 110500	Includes 1-5, 8,12-15, 17-21, & RTV
2	Bearing Cap Screw	4	32732	32732	
3	Flat Washer	4	32912	32912	
4	Lockwire	4	12563	12563	
5	Dowel Bushing	2	32730	32730	
6	Bearing Cap Adjuster Lock (RH)	1	45448	45448	
7	Cap Screw (RH)	2	210601	12562	
8	Adjuster Lock Dowel Bushing (LH)	2	37746	37746	
9	Lockwire (RH)	2	12563	12563	
10	Bearing Cap Adjuster Lock (LH)	1	14275	14275	
11	Cotter Pin (LH)	1	90876	90876	
12	Shift Fork Shaft & "O" Ring Assy	1	113801	113801	S.E. & D.C.
13	Upper Expansion Plug	1	30703*	30703*	
	Lower Expansion Plug	1	9797*	9797*	
14	Filler Plug	1	90325	90325	
15	Carrier Cover Dowel Pin	2	7641	7641	
16	Shift Fork	1	84508	84508	S.E & D.C.
17	Shift Fork Seal & Spring Assy	1	119855*	119855*	S.E. & D.C.
18	Shift Unit Stud	2	119863	119863	S.E & D.C.
19	Stud Nut	2	63028	63028	S.E. & D.C.
20	Flat Washer	2	119857	119857	S.E & D.C.
21	Shift Unit Opening Cover	1	45521	45521	P.E.
22	Cap Screw	2	20807	20807	P.E.
23	Lockwasher	2	90415	90415	P.E.
24	Shift Unit	1	73057	73057	D.C.
25	Shift Fork Cover Retainer Assy	1	83510	83510	S.E.
26	Adjuster Screw (12 pt)	1	83511	83511	S.E.
27	Adjuster Screw Jam Nut	1	59600	59600	S.E.
28	Output Shaft Nut	1	210508	95262	
29	Output Shaft Washer	1	210509		
30	Output Yoke	1			See OEM Catalog
31	Bearing Retaining Washer	1	78922	78922	
32	Output Shaft Oil Seal	1	119429*	119429*	
33	Bearing Snap Ring	1	78937*	78937*	
34	Output Shaft Bearing & Sleeve Assy	1	78936	78936	
	Inner Bearing Race	1	118788*	118788*	
	Outer Bearing Race	1	118787*	118787*	
35	Axle Housing Cover Assy	1	107863	107863	Includes Items 32-36
	Cover (NSS)		84546	84546	
36	Magnetic Filler Plug	1	75130	75130	
	Hole Plug	1	90898	90898	
37	Diff. Bearing Adjuster (RH)	1	21637	21637	
	Diff. Bearing Adjuster (LH)	1	82451	82451	

Tandem Forward Axle Differential Carrier

Item	Description	Qty	DC461-P DC521-P	DC460-P DC480-P	Notes
38	Diff. Bearing Cup (RH)	1	21632*	21632*	
	Diff. Bearing Cup (LH)	1	15092*	15092*	
39	Diff. Bearing Cone (RH)	1	102660*	102660*	
	Diff. Bearing Cone (LH)	1	27876*	27876*	
	WHEEL DIFF. CASE KIT	1	98872	98872	Includes Items 40-41
40	Diff. Case (Plain Half (NSS))	1	86777	86777	
	Diff. & Gear Support Case (NSS)	1	86786	86786	
41	Cap Screw	12	88503	88503	
	WHEEL DIFF. SIDE GEAR & PINION KIT	1	114475	114475	Includes Items 42-48
	WHEEL DIFF. KIT LESS SIDE GEARS	1	118749	118749	Includes Items 44, 46-48
42	Side Gear (RH)	1	93401	93401	
43	Curvic Side Gear (LH)	1	110632	110632	
44	Side Gear Thrust Washer (RH)	1	27274*	27274*	
45	Curvic Side Gear Thrust Washer (LH)	1	82442*	82442*	
46	Side Pinion	4	86780	86780	
47	Side Pinion Thrust Washer	4	86781*	86781*	
48	Spider	1	86778	86778	
49	RING GEAR AND DRIVE PINION SET (Matched Parts) (NSS)	1			See listing on page 34 Includes Items 73-74
	RING GEAR NUT & BOLT KIT	1	115583	115583	Includes Item 50
50	Bolt	16	82454	82454	
	Nut	16	60600	60600	
51	Gear Support Case Cover	1	103190	103190	
52	Sliding Clutch	1	86576	86576	S.E. & D.C.
	FRICTION PLATE & DRIVER KIT	1	211360	211360	Includes Items 53-58
	FRICTION PLATE KIT	1	211361	211361	Includes Items 53-54
53	Friction Plate (O.D. Splined)	13	82446	82446	
54	Friction Plate (I.D. Splined)	12	82445	82445	
55	Friction Plate Driver	1	83565	83565	P.E.
	Friction Plate Driver	1	82449	82449	S.E. & D.C.
56	Driver Snap Ring	1	82444	82444*	P.E.
51	Pressure Plate	1	82447	82447	
58	Pressure Plate Snap Ring	1	82621	82621*	
59	Compression Spring	12	82448	82448*	
60	Pinion Pilot Bearing	1	126187*	126181*	
61	Pinion Bearing Cone	2	14218*	14218*	
62	Pinion Bearing Spacer Washer	1	78904*	78904*	
63	Pinion Bearing Spacer	AR			See listing on page 23
64	Pinion Bearing Cup	2	14217*	14217*	
65	Pinion Bearing Cage Shim	AR			
	.003"		45461*	45461*	
	.005"		62829*	62829*	
	.010"		45482*	45482*	
	.020"		62830*	62830*	

Tandem Forward Axle Differential Carrier

Item	Description	Qty	DC461-P DC521-P	DC460-P DC480-P	Notes
66	Pinion Bearing Case & Cup Assy 460 (Cage 103533 NSS)	1		103534	Includes Item 64
	460 models w/18" gear use 78914 480 (Cage 78932 NSS)	1	78914	78914	
67	Bearing Cage Cap Screw	6	62158	62158	
68	Lockwasher	6	37207	37207	
69	Pinion Helical Gear	1	119996	113329	
70	Helical Gear Spacer	1		103532†	† 460 only (inner)
71	Outer Pinion Support Bearing & Race	1	78916*	78916*	
72	Bearing Snap Ring	1	78937	78937	
73	Slotted Nut	1	126182	119353	
74	Roll Pin	1	118807	118807	
	OUTPUT SHAFT KIT	1	122419	104456	Includes Items 28-29, 75, 77, 78
75	Output Shaft & Bushing Assy NSS Shaft (NSS) 41 splines, 2.100" dia.	1	126168 119991	78865	Includes Items 76-78
	Shaft (NSS)			78902	
76	Output Shaft Bushing	1	48922*	48922*	
77	Output Shaft "O" Ring	2	78931*	78931*	
78	Side Gear Snap Ring	2	85994*	85994*	
79	Output Shaft Bearing Cup	1	24328*	24328*	
80	Output Shaft Bearing Cone	1	24330*	24330*	
81	Output Shaft Side Gear	1	78911		
82	Output Shaft Compression Spring	1	127095		
83	Output Shaft Thrust Bearing	1	51228		
84	Inter-axle Diff. Assy	1	121681	104597	Includes Items 85-90
85	DIFF. CASE KIT	1	211252	106470	Includes Item 86
	Cases (NSS)		126151	104513	
86	Bolt	8	57636	57636	
	Nut	8	57637	57637	
87	Spider	1	126152	95220	
88	Side Pinion Bushing	4		95219*	
89	Side Pinion	4	95218	95218	
90	Side Pinion Thrust Washer	4	126180*	27810*	
91	Helical Gear Snap Ring	1	78909*	78909*	
92	Helical Side Gear & Bushing Assy Side Gear (NSS)	1	113331 113328	113331 113328	Includes Item 93
93	Helical Side Gear Bushing	2	75063*	75063*	
94	Helical Side Gear Thrust Washer	1	79034*	19034*	
95	Helical Gear "D" Washer	1	56360*	56360*	
96	Lockout Sliding Clutch	1	119948	119948	
97	INPUT SHAFT & NUT KIT	1	122418	121301	Includes Items 113
	Shaft (NSS) 46 splines, 2.350" dia.	1	119990		
	Shaft (NSS)			119947	
98	Input Shaft Bearing Cone	1	98387*	98387*	
99	Power Divider Cover Assy	1	103536	103536	Includes Items 102-103

Tandem Forward Axle Differential Carrier

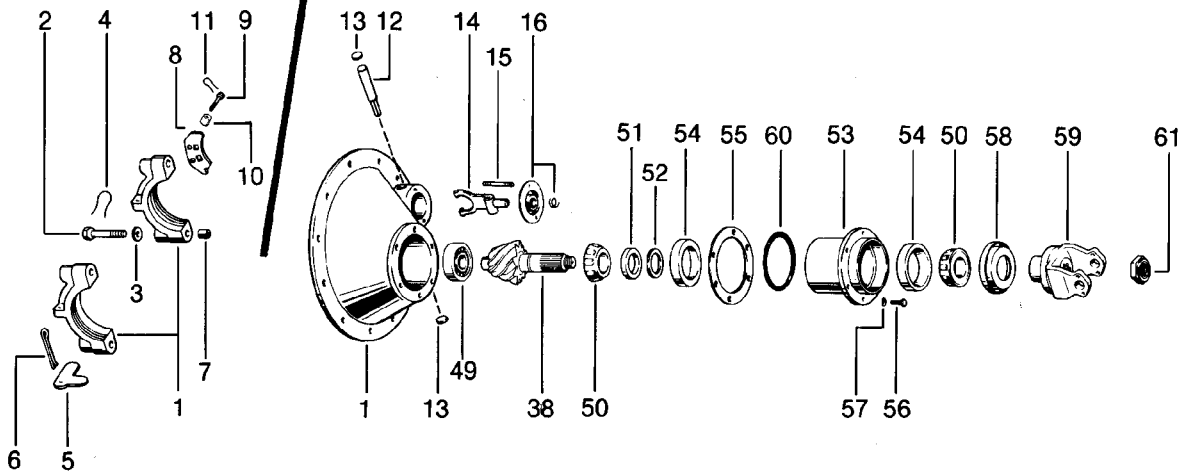
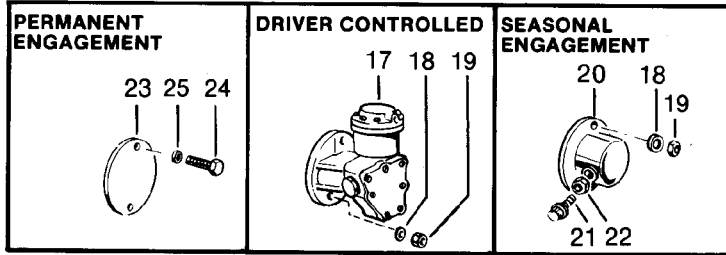
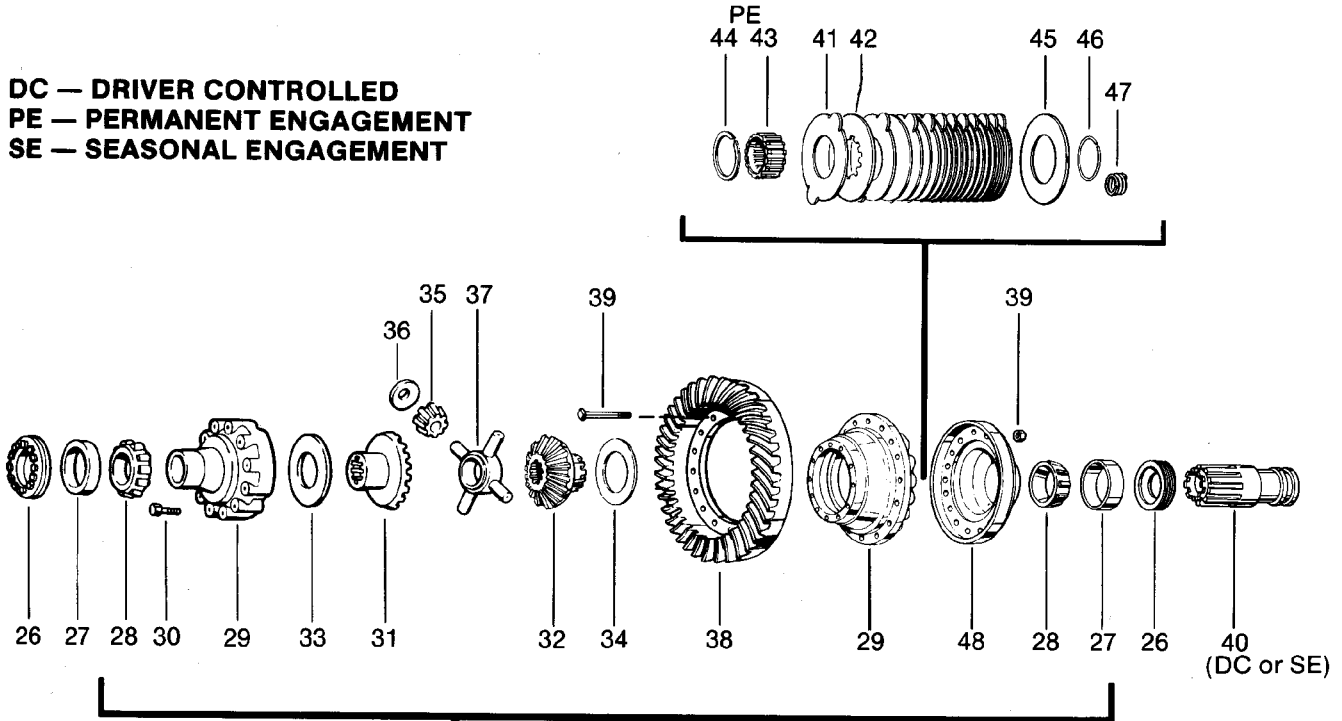
Item	Description	Qty	DC461-P DC521-P	DC460-P DC480-P	Notes
100	Carrier Cover Cap Screw	8	90069	90069	
		1	9309	9309	
		1	81855	81855	
101	Lockwasher	10	90417	90417	
102	Pipe Plug	1	90325	90325	
103	Expansion Plug	1	9797	9797	
104	Magnetic Filter Screen	1	102611*	102611*	
105	Input Bearing Cup	1	98388*	98388*	
106	Input Bearing Cover Shim .003"	AR	78918*	78918*	
			78919*	78919*	
			78920*	78920*	
			113130*	113130*	
107	Input Bearing Cover, Cup & Seal Assy (Cover 111690 NSS)	1	111691	111691	Includes Items 105,109
108	Bearing Cover Cap Screw	5	126243	113324	
	OIL SEAL & SHIM KIT	1	118111	118111	Includes Items 32.65,106, 109 & RTV
109	Input Shaft Oil Seal	1	119430*	119430*	
110	Input Shaft Bearing Spacer Washer	1		111776	
111	Input Yoke	1			See OEM Catalog
112	Input Shaft Nut Washer	1	126242*	79699*	
113	Input Shaft Nut	1	126155	95209	
114	Air Operated Lockout Assy	1	123218	123218	See page 37
115	Shift Fork & Push Rod Assy	1	103529	103529	See page 37
	LUBE PUMP REPLACEMENT KIT	1	121302	121302	Includes Items 116-123
116	Drive Gear Locknut	1	111451	111451	
117	Oil Pump Drive Gear	1	119946	119946	
118	Cover "O" Ring	1	102620*	102620*	
119	Cover Dowel Pin	2	102617	102617	
120	Lockwasher	4	90419	90419	
121	Cap Screw	4	102618	102618	
122	Oil Pump Cover	1	102607	102607	
123	Oil Pump Gear & Shaft Assy (NSS)	1	102625	102625	
	Oil Pump Gear & Shaft Assy (NSS)	1	111779	111779	
	Gasket Compound (RTV)	AR	107276*	107276*	

Tandem Rear Axle Differential Carrier

Single Reduction w/Controlled Traction Differential

Models: RC461, RC521, RC460, RC480

DC — DRIVER CONTROLLED
PE — PERMANENT ENGAGEMENT
SE — SEASONAL ENGAGEMENT



Tandem Rear Axle Differential Carrier

Item	Description	Qty	RC461 RC521	RC460 RC480	Notes
	BASIC OVERHAUL KIT (Contents identified with*)	1	122448*		
1	Diff. Carrier & Bearing Cap Assy Carrier Casting No. (NSS)	1	98590 98496	98590 98496	Includes 1-4, 7, 10-13, 15-16,18-19, 23 & RTV
2	Bearing Cap Screw	4	32732	32732	
3	Flat Washer	4	32912	32912	
4	Lockwire	4	12563	12563	
5	Bearing Cap Adjuster Lock (RH)	1	14275	14275	
6	Cotter Pin (RH)	1	90876	90876	
7	Dowel Bushing	2	32730	32730	
8	Bearing Cap Adjuster Lock (LH)	1	45448	45448	
9	Cap Screw (LH)	2	12562	12562	
10	Adjuster Dowel Bushing (LH)	2	37746	37746	
11	Lockwire (LH)	2	12563	12563	
12	Shift Fork Shaft & "O" Ring Assy	1	113801	113801	S.E. & D.C.
13	Upper Expansion Plug Lower Expansion Plug	1 1	30703* 9791*	30703 9797	
14	Shift Fork	1	84508	84508	S.E. & D.C.
15	Shift Unit Stud	2	119863	119863	S.E. & D.C.
16	Shift Fork Seal & Spring Assy	1	119855*	119855	S.E. & D.C.
17	Shift Unit	1	73503	73503	D.C.
18	Flat Washer	2	119857	119857	S.E. & D.C.
19	Stud Nut	2	63028	63028	S.E. & D.C.
20	Shift Fork Cover Retainer Assy	1	83510	83510	S.E.
21	Adjusting Screw (12 pt)	1	83511	83511	S.E.
22	Adjusting Screw Jam Nut	1	59600	59600	S.E.
23	Shift Unit Opening Cover	1	45521	45521	P.E.
24	Cap Screw	2	20807	20807	P.E.
25	Lockwasher	2	90415	90415	P.E.
26	Diff. Bearing Adjuster (RH) Diff. Bearing Adjuster (LH)	1 1	21637 82451	21637 82451	
27	Diff. Bearing Cup (RH) Diff. Bearing Cup (LH)	1 1	15092* 21632*	15092 21632	
28	Diff. Bearing Cone (RH) Diff. Bearing Cone (LH)	1 1	27876* 102660*	27876 102660	
	WHEEL DIFF. CASE KIT	1	98872	98872	Includes Items 29-30
29	Diff. Case (Plain-Half) (NSS) Diff. & Gear Support Case (NSS)	1 1	86777 86786	86777 86786	
30	Cap Screw	12	88503	88503	
	WHEEL DIFF. SIDE GEAR & PINION KIT	1	114475	114475	Includes Items 31-37
	WHEEL DIFF. LESS SIDE GEARS	1	118749	118749	Includes Items 33, 35-37
31	Side Gear (RH)	1	93401	93401	
32	Curvic Side Gear (LH)	1	110632	110632	
33	Side Gear Thrust Washer (RH)	1	27274	27274	
34	Curvic Side Gear Thrust Washer (LH)	1	82442*	82442	
35	Side Pinion	4	86780	86780	
36	Side Pinion Thrust Washer	4	86781*	86781	

Tandem Rear Axle Differential Carrier

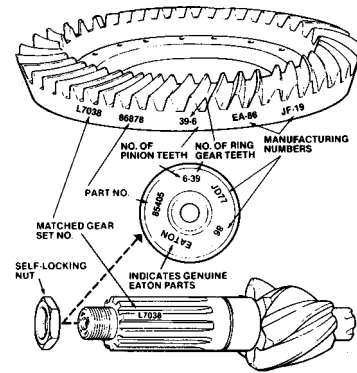
Item	Description	Qty	RC461 RC521	RC460 RC480	Notes
37	Spider	1	86778	86778	
38	RING GEAR & DRIVE PINION SET (Matched Parts) (NSS)				See listing on page 34 Includes Item 61
	RING GEAR BOLT & NUT KIT	1	115583	115583	Includes Item 39
39	Bolt	16	82454	82454	
	Nut	16	60600	60600	
40	Sliding Clutch	1	86576	86576	
	FRICTION PLATE & DRIVER KIT	1	211360	211360	Includes Items 41-46
	FRICTION PLATE KIT	1	211361	211361	Includes Items 41-42
41	Friction Plate (tanged) (O.D.)	13	82446	82446	
42	Friction Plate (splined) (I.D.)	12	82445	82445	
43	Friction Plate Driver	1	83565	83565	P.E.
	Friction Plate Driver	1	82449	82449	S.E. & D.C.
44	Driver Snap Ring	1	82444	82444	P.E.
45	Pressure Plate	1	82447	82447	
46	Pressure Plate Snap Ring	1	82621	82621	
47	Compression Spring	12	82448	82448	
48	Gear Support Case Cover	1	103190	103190	
49	Pinion Pilot Bearing	1	126187*	126187	
50	Pinion Bearing Cone (Inner)	1	27239*	27239	
	Pinion Bearing Cone (Outer)	1	14218*	14218	
51	Pinion Bearing Spacer	AR			See listing on page 23
52	Pinion Bearing Spacer Washer	1	31366*	31366	
53	Pinion Bearing Cage & Cup Assy (Cage 210091 NSS)	1			Includes Item 54
	460 (Cage 114470 NSS)	1	210592	104471	
	460 models w/18" gear use 79246				
	480 (Cage 79245 NSS)			79246	
54	Pinion Bearing Cup (Inner)	1	27238*	27238	
	Pinion Bearing Cup (Outer)	1	14217*	14217	
55	Pinion Bearing Cage Shim	AR			
	.003"		67920*	67920	
	.005"		67921 *	67921	
	.010"		67922*	67922	
	.020"		67923*	67923	
	.030"		67924*	67924	
56	Bearing Cage Cap Screw	6	113327	113327	
51	Lockwasher	6	90422	90422	
	OIL SEAL & SHIM KIT	1	122436	115581	Includes 55, 58 & RTV
	OIL SEAL & SHIM KIT	1	121818	115582	Includes 16, 55, 58 & RTV
58	Oil Seal	1	113866*	119432	
59	Input Yoke	1			See OEM Catalog
60	"O" Ring	1			
61	Pinion Nut	1	210508	95262	
	Pinion Nut Washer (not illustrated)	1	210509		
	Gasket Compound (RTV)	AR	107276*	107276	

Ring Gear and Pinion Identification

Ring Gear and Drive Pinion are matched parts and must be replaced in sets.

Complete identification is stamped on both parts shown in the adjacent drawing.

Order by Spicer "Set No." which includes drive pinion nut.



Drive Pinion and Gear Set

17421

Gear Dia 16 1/2"
Pinion Spline 10, 1.750" Dia

Ratio	Gear Set Part No.	Pinion (NSS)	Ring Gear (NSS)
5.57	118711	127316 (7)	111038 (39)
6.14	118712	66839 (7)	111039 (43)
6.57	118713	113457 (7)	118716 (46)
7.17	119242	119027 (6)	119240 (43)

17401

Gear Dia 16"
Pinion Spline 10, 1.968" Dia

Ratio	Gear Set Part No.	Pinion (NSS)	Ring Gear (NSS)
3.70	118704	53868 (10)	111031 (37)
4.11	118705	53875 (9)	111032 (37)
4.33	118706	47347 (9)	111033 (39)
4.56	118707	48437 (9)	111034 (41)
4.88	118708	38861 (8)	111035 (39)
5.29	118709	62102 (7)	111036 (37)
5.57	118710	38863 (7)	111037 (39)

Models:

21421 Gear Sets Same as RC381 Gear Sets page 34

23421/ 26421 Gear Sets Same as RC480 Gear Sets page 34

23085C Gear Sets Same as RC481 Gear Sets page 34

22421

Gear Dia 17"
Pinion Spline 10, 1.968" Dia

Ratio	Gear Set Part No.	Pinion (NSS)	Ring Gear (NSS)
3.90	118151	107517 (10)	111061 (39)
4.11	118152	107518 (9)	111062 (37)
4.33	118153	107519 (9)	111063 (39)
4.62	118154	107520 (8)	111064 (37)
4.88	118155	107521 (8)	111065 (39)
5.29	118156	107522 (7)	111066 (37)
5.57	118157	107523 (7)	111067 (39)
6.17	118158	107524 (6)	111068 (37)
6.50	118159	107525 (6)	111069 (39)
7.17	118160	107526 (6)	111070 (43)

23105C

Gear Dia 19"
Pinion Spline 44, 2.250" Dia

Ratio	Gear Set Part No.	Pinion (NSS)	Ring Gear (NSS)
3.08	121243	119875 (12)	119874 (37)
3.36	113851	113831 (11)	113821 (37)
3.58	113852	113832 (12)	113822 (43)
3.70	113853	113833 (10)	113823 (37)
3.90	113854	113834 (10)	113824 (39)
4.11	113855	113835 (9)	113825 (37)
4.33	113856	113836 (9)	113826 (39)
4.63	113850	113839 (8)	113829 (37)
5.25	113857	113837 (8)	113827(42)
6.14	113858	113838 (7)	113828 (43)

Drive Pinion and Gear Set

Forward Tandem Axles

DC341, DC381-P, DC401-P, DC402(P), DC451-P

Gear Dia 16 1/2"

Pinion Spline 41, 2.100" Dia

Ratio	Gear Set Part No.	Pinion (NSS)	Ring Gear (NSS)
3.36*	122103	120041 (11)	126276 (37)
3.55*	118035	111139 (11)	111049 (39)
3.70*	118036	111140 (10)	111050 (37)
3.90	118037	111141 (10)	111051 (39)
4.11	118038	111142 (9)	111052 (37)
4.33	118039	111143 (9)	111053 (39)
4.56	118040	111144 (9)	111054 (41)
4.88	118041	111145 (8)	111055 (39)
5.29	118042	111146 (7)	111056 (37)
5.57	118043	111147 (7)	111057 (39)
6.14	118044	111148 (7)	111058 (43)
6.50	118045	111149 (6)	111059 (39)
7.17	118046	111150 (6)	111060 (43)

*Gear Dia 16"

DC480-P

Gear Dia 18"

Pinion Spline 16, 2.120" Dia

Ratio	Gear Set Part No.	Pinion (NSS)	Ring Gear (NSS)
3.70	95576	78831 (10)	78852 (37)
3.90			
4.11	95577	78833 (9)	78854 (37)
4.33	95578	78835 (9)	78856 (39)
4.56	95579	78837 (9)	78858 (41)
4.88	95580	78839 (8)	78860 (39)
5.43	95581	78841 (7)	78862 (38)
6.17	95582	78843 (6)	78864 (37)
6.67			

DC460-P

Gear Dia 17"

Pinion Spline 16, 2.120" Dia

Ratio	Gear Set Part No.	Pinion (NSS)	Ring Gear (NSS)
3.70*	95576	78831 (10)	78852 (37)
3.90	104520	104371 (10)	104370 (39)
4.11	104521	104373 (9)	104372 (37)
4.33	104522	104375 (9)	104374 (39)
4.62	104523	104377 (8)	104376 (37)
5.29	104524	104379 (7)	104378 (37)
6.17	104525	104381 (6)	104380 (37)

*Gear Dia 18"

DC461-P, DC521-P

Gear Dia 18"

Pinion Spline 41, 2.100" Dia

Ratio	Gear Set Part No.	Pinion (NSS)	Ring Gear (NSS)
3.70	123311	126161 (10)	78852 (37)
4.11	123312	126162 (9)	78854 (37)
4.33	122336	126163 (9)	78856 (39)
4.56	122337	126164 (9)	78858 (41)
4.88	122338	126165 (8)	78868 (39)
5.43	122339	126168 (7)	78862 (38)
6.17	122340	126167 (6)	78864 (37)

Rear Tandem Axle

RC341, RC381, RC401, RC402, RC451, (21421)

Gear Dia 16 1/2"

Pinion Spline 39, 2.000" Dia

Ratio	Gear Set Part No.	Pinion (NSS)	Ring Gear (NSS)
3.36*	122080	120044 (11)	126277 (37)
3.55*	118046	111466 (11)	111042 (39)
3.70*	118049	111467 (10)	111031 (37)
3.90	118050	111468 (10)	111043 (39)
4.11	118051	111469 (9)	111044 (37)
4.33	118052	111470 (9)	111045 (39)
4.56	118053	111471 (9)	111046 (41)
4.88	118054	111472 (8)	111047 (39)
5.29	118055	111473 (7)	111048 (37)
5.57	118056	111474 (7)	111038 (39)
6.14	118057	111475 (7)	111039 (43)
6.50	118058	111476 (6)	111040 (39)
7.17	118059	111477 (6)	119240 (43)
5.57†	118978	118980 (7)	118984 (39)

†Heavy Case

*Gear Dia 16"

RC480 (23421, 26421)

Gear Dia 18"

Pinion Spline 16, 2.120" Dia

Ratio	Gear Set Part No.	Pinion (NSS)	Ring Gear (NSS)
3.70	98099	53166 (10)	52995 (37)
3.90	102388	99897 (10)	102386 (39)
4.11	98100	53168 (9)	52997 (37)
4.33	98101	52813 (9)	52999 (39)
4.56	98102	73310 (9)	73312 (41)
4.88	98103	52815 (8)	53001 (39)
5.43	98104	53170 (7)	53003 (38)
6.17	98105	53172 (6)	53005 (37)
6.67	98106	53174 (6)	53007 (40)

RC460

Gear Dia 17"

Pinion Spline 16, 2.120" Dia

Ratio	Gear Set Part No.	Pinion (NSS)	Ring Gear (NSS)
3.70*	98099	53166 (10)	52995 (37)
3.90	104532	104383 (10)	104382 (39)
4.11	104533	104385 (9)	40284 (37)
4.33	104534	104387 (9)	46386 (39)
4.62	104535	104389 (8)	104388 (37)
5.29	104536	104391 (7)	104390 (37)
6.17	104537	104393 (6)	39592 (37)

*Gear Dia 18"

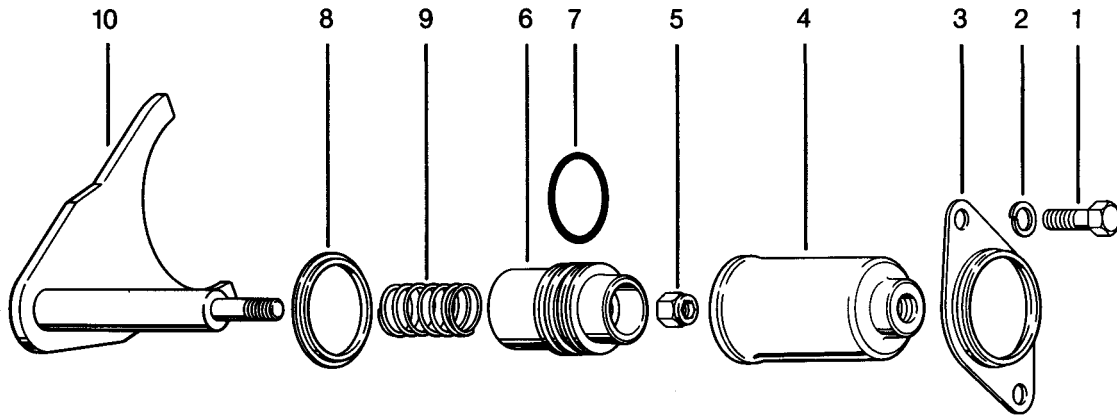
RC461, RC521 (23085C)

Gear Dia 18"

Pinion Spline 41, 2.100" Dia

Ratio	Gear Set Part No.	Pinion (NSS)	Ring Gear (NSS)
3.70	123269	126120 (10)	52995 (37)
3.90	124564	127048 (10)	102386 (39)
4.11	123270	126121 (9)	52997 (37)
4.33	121889	126118 (9)	52999 (39)
4.56	121890	126125 (9)	73312 (41)
4.88	121891	126119 (8)	53001 (39)
5.29	211335	127328 (7)	127338 (37)
5.43	121892	126122 (7)	53003 (38)
6.17	121893	126123 (6)	53005 (37)
6.50	212889	128031 (6)	128030 (39)

**Differential Lockout (Forward Axle) Current Production Model
DC341, DC381(P), DC401-P, DC402(P), DC451-P**

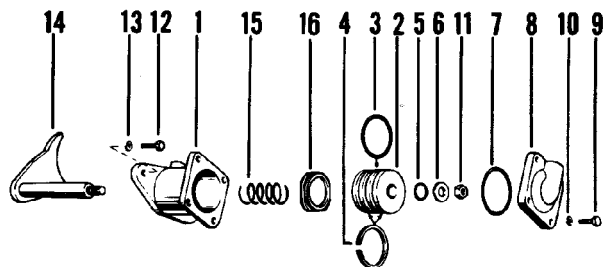


Item	Description	Qty	Part No.	Notes
	Air Operated Lockout Assy.	1	123216	w/lube pump
	Includes Items 1-10	1	123217	w/o lube pump
	REPAIR KIT Includes Items 5-9	1	211197	w/lube pump
			211198	w/o lube pump
1	Cap Screw	2	210381	
2	Lockwasher	2	90415	
	PISTON KIT Includes Items 3-8	1	121332	w/lube pump
		1	121333	w/o lube pump
3	Mounting Bracket	1	127675	
4	Piston Housing	1	119923	
5	Locknut	1	128160	
6	Piston	1	119913	Models w/lube pump
		1	119912	Models w/o lube pump
7	Piston "O" Ring	1	210180	
8	Shoulder Washer	1	210452	
9	Compression Spring	1	31038	
10	Shift Fork & Push Rod Assy.	1	102613	Models w/lube pump
		1	45859	w/o lube pump
	Gasket Compound	AR	107276	

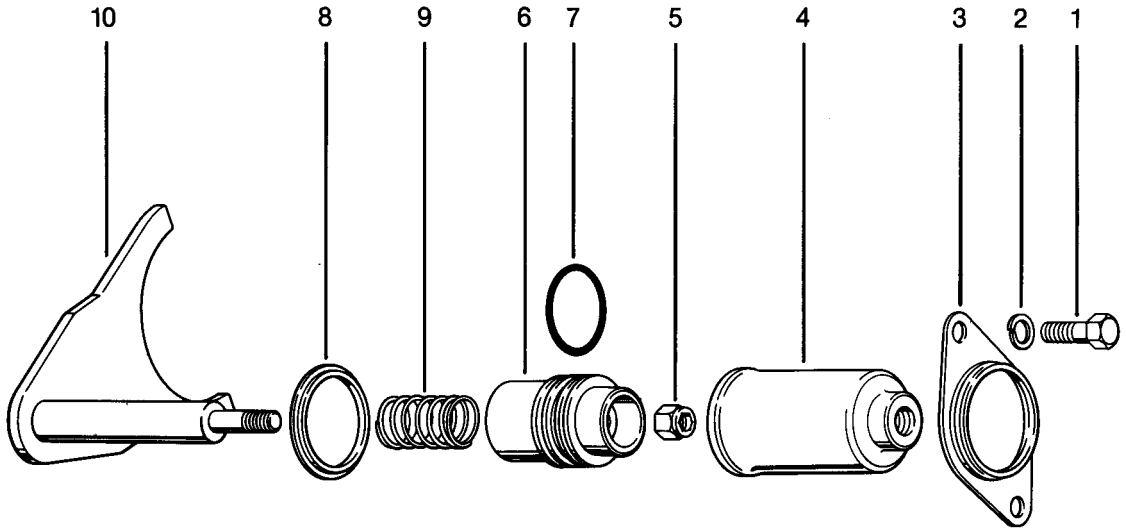
Air Operated Lockout Assembly 104819 is no longer available.
This unit can be serviced with AIR LOCKOUT SERVICE KIT 211201
which contains:

Item	Part No.
3	32832
4	96916
5	32826
6	111406
7	60817
11	90206
15	31038
16	102616

and RTV



**Differential Lockout (Forward Axle) Current Production Model
DC461-P, DC521-P, DC460-P, DC480-P**

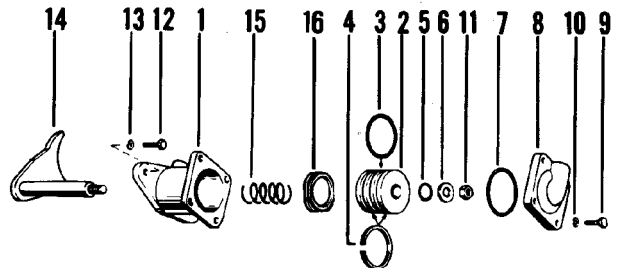


Item	Description	Qty	Part No.	Notes
	Air-operated Lockout Assy. Includes Items 1-10	1	123218	
	REPAIR KIT Includes Items 5-9	1	211198	
1	Cap Screw	2	210381	
2	Lockwasher	2	90415	
	PISTON KIT Includes Items 3-8	1	121333	
3	Mounting Bracket	1	127675	
4	Piston Housing	1	119923	
5	Locknut	1	128160	
6	Piston	1	119912	
7	Piston "O" Ring	1	210180	
8	Shoulder Washer	1	210452	
9	Compression Spring	1	31038	
10	Shift Fork & Push Rod Assy.	1	103529	
	Gasket Compound	AR	107276	

Air Operated Lockout Assembly 104819 is no longer available. This unit can be serviced with AIR LOCKOUT SERVICE KIT 211201 which contains:

Item	Part No.
3	32832
4	96916
5	32826
6	111406
7	60817
11	90206
15	31038
16	102616

and RTV



Differential Carrier Assemblies

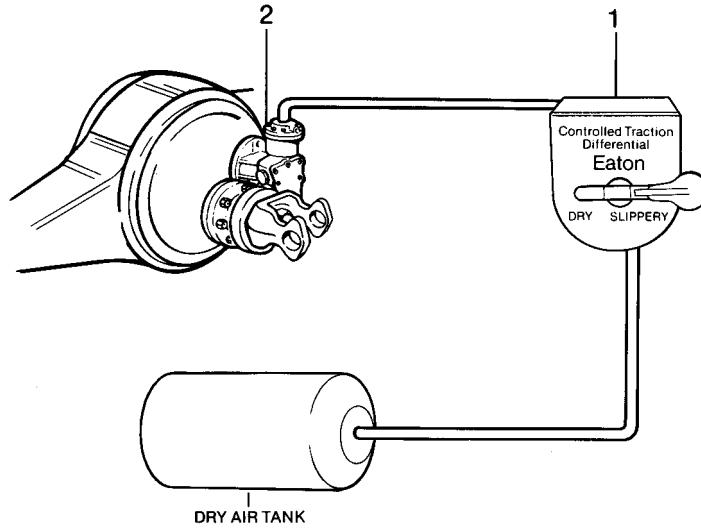
These assemblies are complete, less input yoke and shift unit.

Axle Model	17401	17421	21421	22421	23421 26421	23085C	23105C 26105C 30105C
Side Gear Spline	39	39	41	41	36	36	39
Pinion Spline	10	10	39	10	16	41	44
	1.968"	1.750"	2.000"	1.968"	2.120"	2.100"	2.250"
Gear Ratio							
3.08							951970
3.36							951924
3.58							951925
3.70	951660				951141	674536	951926
3.90				951683	951142		951927
4.11	951661			951684	951143	674537	951928
4.33	951662			951685	951144	674711	951929
4.56	951663				951145	674712	
4.62				951686			
4.63							951975
4.88	951664			951687	951146	674626	
5.25							951930
5.29	951665			951688			
5.43					951147	674713	
5.57	951666	951667		951689			
6.14		951668					951931
6.17				951690	951148		
6.50				951691			
6.57		951669					
6.67					951149		
7.17		951670		951692			

Axle Model	DC341	DC381 DC402	DC381-P DC402-P	DC401-P DC451-P	RC341	RC381 RC402	RC401 RC451
	FORWARD AXLES				REAR AXLES		
Side Gear Spline	39	41	41	33	39	41	33
Pinion Spline	41	41	41	41	39	39	39
	2.100"	2.100"	2.100"	2.100"	2.000"	2.000"	2.000"
Gear Ratio							
3.55		951600	674580	674578		674581	674579
3.70						674631	951649
3.90						674632	951650
4.11		951603	674584	674582		674585	674583
4.33		951604		951640		951628	951652
5.57		951608	674705			674706	

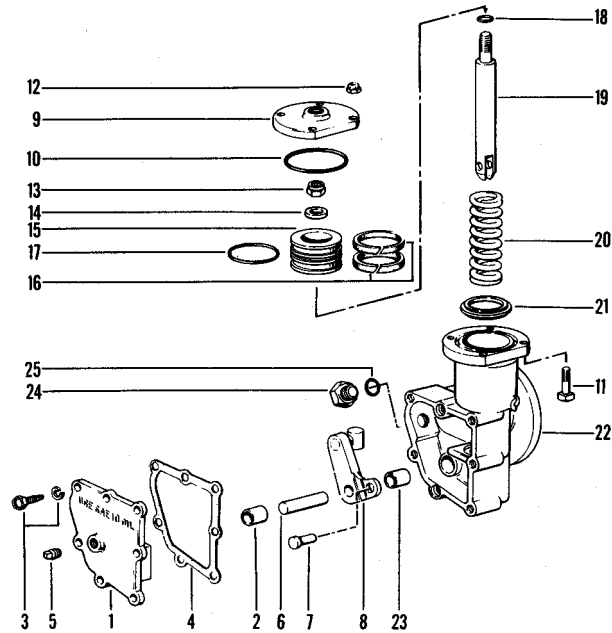
Axle Model	DC461-P DC521-P	DC460-P	DC480-P	RC461 RC521	RC460	RC480
	FORWARD AXLES			REAR AXLES		
Side Gear Spline	36	36	36	36	36	36
Pinion Spline	41	16	16	41	16	16
	2.100"	2.120"	2.120"	2.100"	2.120"	2.120"
3.70	952130			674536		951141
3.90	952131					
4.11	952132	951465		674537	951471	951143
4.33	952133	951466		674711	951472	951144
4.56	952134		951434	674712		951145
4.62		951467			951473	
4.88	952135			674626		951146
5.29		951468			951474	
5.43	952136			674713		951147
6.17	952137		951437			951148

Controlled Traction Differential Shift System



Item	Description	Qty	Part No.	Notes
1	Air Shifter Valve (toggle-type, 2-way)	1	84678	
	Instruction Tag	1	109394	
2	Piston Air-Shift Unit	1	73503	Single Drive Axles Tandem Drive Axles
		1	73507	Forward Axles
		1	73503	Rear Axles

Shift Unit



Item	Description	Qty Per Axle	Unit 73503	Unit 73507
	Piston Air Shift Assy (Electric Over Air or Straight Air) Includes Items 1-26	1	73503	73507
1	Cover Assy (Includes Item 2)	1	73486	73487
	Cover (NSS)		73484	73485
2	Cover Bearing	1	73481	73481
3	Self-tapping Screw & Washer Assy	7	88053	88053
4	Cover Gasket	1	73488	73488
5	Cover Plug	1	28325	28325
6	Actuating Lever Pin	1	73456	73456
7	Clevis Pin	1	73498	73498
8	Actuating Lever, Pin & Block Assy	1	84803	84804
9	Shift Housing Cover	1	73490	73490
10	Seal Ring	1	73492	73492
11	Cover Bolt	4	73491	73491
12	Locknut	4	47641	47641
13	Locknut	4	73496	73496
14	Washer	1	111406	111406
15	Piston	1	73493	73493
16	Felt Piston Oiler (Strip)	2	96916	96916
17	Piston "O" Ring	1	32832	32832
18	Grommet	1	32826	32826
19	Push Rod	1	73497	73497
20	Compression Spring	1	73494	73494
21	Piston Stop	1	73495	73495

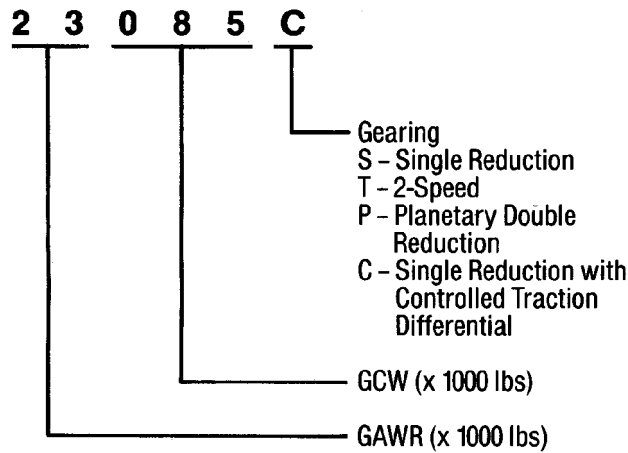
Item	Description	Qty Per Axle	Unit 73503	Unit 73507
22	Housing Assy (Includes Items 3 & 23) Cover (NSS)	1	82428 84797	82429 84798
23	Housing Bearing	1	73481	73481
24	Cap Screw	1	58309	
25	"O" Ring	1	56659	56659

Single Drive Axles

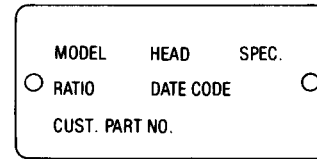
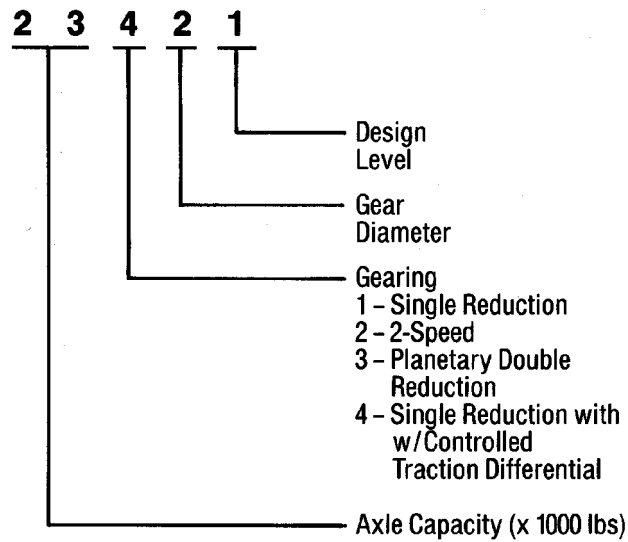
Model Identification

Differential carrier identification is either stamped on the carrier itself or on a metal tag affixed to the carrier. Location on the carrier is the same.

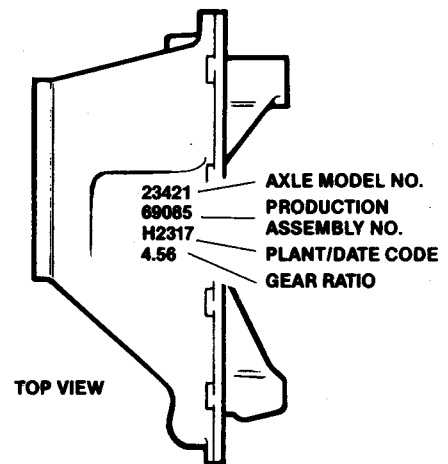
Current Production Sample:



Older Model Sample:



Metal Tag



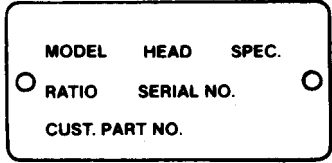
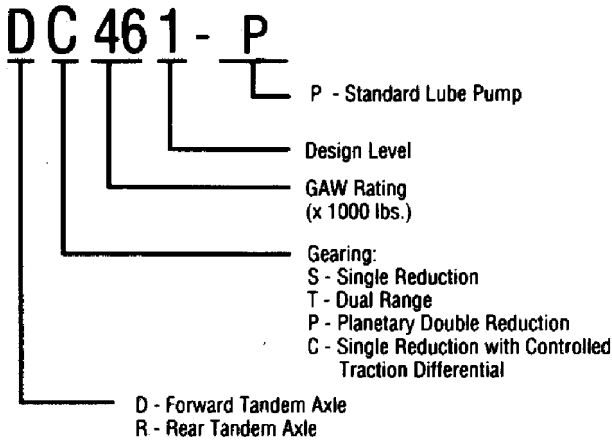
Controlled Traction Differentials can be identified by a CT before the production assembly number on the carrier.

Tandem Drive Axles

Model Identification

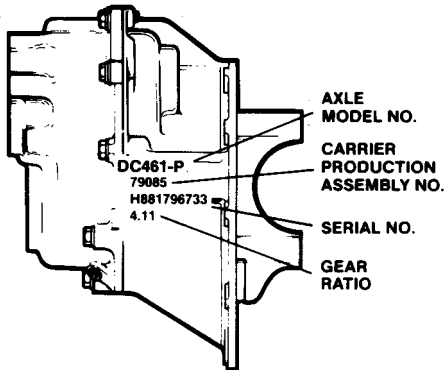
Differential carrier identification is either stamped on the carrier itself or on a metal tag affixed to the carrier. Location on the carrier is the same.

Model Identification



Metal Tag

Tandem Forward Axle

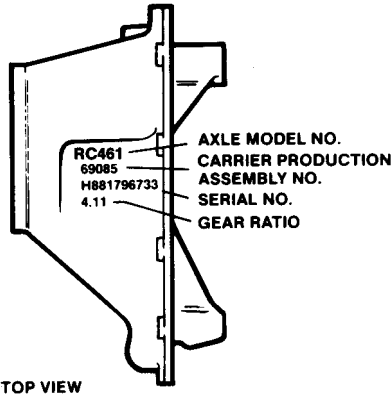


Older Model Sample:

Note: Before 1988 Single Reduction Gearing identification was used with an * following the model number.

Example: DS381-P* or RS381*

Tandem Rear Axle or Single Drive Axle

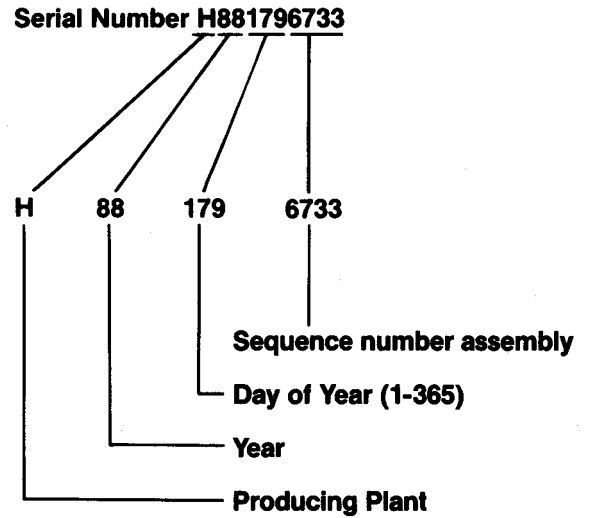


Carrier Assembly Serial Numbers

Units built before May 1987 were identified with a date coding system. Carrier assemblies produced after this date are assigned unique serial numbers. Serial numbers are stamped into the carrier casting or contained on a metal tag attached to the carrier (see illustration).

The carrier assembly serial number contains ten characters; a letter followed by nine numerals. A sample carrier assembly serial number is shown at right.

The letter designation indicates the producing plant; A five digit Julian date code follows, the first two digits indicating the year, and the last three indicating the day of the year. The last four digits are a number unique to each axle.





SPICER®

Drivetrain Products

Axles
Driveshafts
Off-Highway Transmissions

LONG®

Thermal Products

Transmission Oil Coolers
Engine Oil Coolers

VICTOR REINZ®

Sealing Products

Gaskets and Seals
Cylinder-Head Cover Modules
Thermal-Acoustic Protective Shielding



Dana Aftermarket Group
PO Box 321
Toledo, Ohio 43697-0321

Warehouse Distributors: 1.800.621.8084
OE Dealers: 1.877.777.5360

www.spicerparts.com

SPICER®

