

# SPICER®



AXIP-0200-32020  
March 2020

Illustrated Parts List

Supersedes AXIP0200  
Released April 2011

## Commercial Vehicles **Spicer® Drive Axles**

DS344P, DS404P, DS405P, DS454P DD404P,  
DD405P, DD454P DSH40P, DSH41P, DSH44P

17060S, 19060S, 21060S, 23060S 19060D, 21060D, 23060D

# SEARCH



# LOCATE



# ORDER



# TRACK



# SIMPLIFIED.



[SpicerParts.com/Aftermarket](http://SpicerParts.com/Aftermarket)

## **SPICER**<sup>®</sup>



**It's never been easier to do business with Dana.**

You've spoken. We've listened. Easily access the genuine Spicer parts information you need to succeed. Search by part number, product type, product line, keywords, and year-make-model. Place and track your orders. It's all here to help streamline your operations and grow your business.

Experience the new one-stop solution from Spicer today!

©Dana Limited, 2017. All rights reserved. Dana Limited, Spicer<sup>®</sup> is a registered trademark of Dana Limited.

General Information.....	2
How to Use Illustrated Parts List.....	2
Model Identification.....	3
Single Reduction - Single and Tandem Axles - After June 2008 .....	4
Pinion Bearing Spacers .....	9
Single Reduction - Front Axles - Before June 2008 .....	11
Wheel Differential Lock Assembly.....	15
Piston Cover Upgrade Kits .....	16
Wiring Harness Usage by OEM.....	16
Air Lockout Parts - After 11/2/98.....	17
Air Lockout Parts - Before 11/2/98 .....	17
Single Reduction - Rear Axles .....	19
In Axle Speed Sensor .....	22
Output Shaft and Axle Housings .....	23
Carrier Mounting Flange Design Change.....	25
Axle Shafts .....	27
Axle Shafts - Single Reduction Models .....	27
Axle Shafts - Differential Lock Models .....	27
Axle Shafts - Models having IASS .....	28
(In Axle Speed Sensors) for ABS .....	28
Axle Shafts - Wide Track Models .....	28
Gear & Pinion Kits .....	29
Service Carriers - Single Axles .....	31
Service Carriers - Tandem Axles.....	35
DD454/RD454 Carrier Supersession .....	37
Yokes and Flanges .....	39
Oil Seal Installation Tools .....	40
Oil Seal Driver Installation Kit .....	40
Service Kits and Assemblies .....	41
Quick Part Number Replacement Listing.....	42

## How to Use Illustrated Parts List

### ORDERING PARTS

- This parts book is organized in sections according to parts servicing requirements. Use the Contents or page headings and colored tabs to find information.
- Use this book to order parts for your Dana® Spicer® Axle.
- For convenience, part numbers have been included for all pieces of the carrier assembly. Some of these parts, such as the carrier and caps, are serviced only in kits or assemblies. Part numbers are for your reference only. Those parts not serviced separately are identified with NSS.

### KITS AND ASSEMBLIES

- Kits and Assemblies contain groups of individual or assembled parts developed for optimal replacement or repair of a service problem.
- Kits and Assemblies are shown with applicable parts groupings in the parts listing.
- See the Appendix for detailed information concerning kits applicable to this model.

### ABBREVIATIONS

- ABS - Anti-lock Brake System
- AR - As Required - Parts that vary in quantity with each axle. Example: shims
- Assy - Assembly
- Brg - Bearing
- Diff - Differential
- Hsg - Housing
- IASS - In Axle Speed Sensor
- Inv - Involute
- N/a - Not Applicable

- NSS - Not Serviced Separately - Items which can only be purchased in sets kit form or service assemblies. Example: brake shoes.
- RH/LH - Right Hand/Left Hand - Determined as viewed from behind the vehicle looking forward.
- RTV - Gasket Compound - Formed-in-place gasket sealer. It is recommended for use on all surfaces requiring a gasket.
- Str - Straight

### ILLUSTRATIONS

- Illustrations show parts in assembly groups.
- Item numbers on illustrations correspond with parts listings on pages that accompany the drawings.
- Notes are included on illustrations where needed.

### PARTS LISTINGS

- Parts listings are defined by parts groupings and are broken down by service assemblies.
- Parts Listings identify a part for servicing with the following categories:
  - Item - corresponds with numbers on illustrations for part identification
  - Part Name - specifies part name or description
  - Quantity (Qty) - quantity required for assembly
  - Current Part(s) - service part numbers are broken down by model type or other applicable information
  - Notes - define unique characteristics or replacement notes
  - Kits / Assy's Where Used - indicates Kits or Assemblies that contain a particular part
- Other pertinent information is listed in tables or parts listings as required.

## Effectively Using a Parts Listing - Example

**FOLLOW THE EXAMPLE BELOW TO LOCATE AND ORDER EXACTLY WHAT IS REQUIRED FOR SERVICING.**

Match to items on illustration	Use to identify part	Order this quantity for servicing	Order part number by model indicated		Indicates information important to ordering or use
Item	Part Description	Qty	DS404	DD404	Notes
1	Axle Shaft	2	123456	789101	See Axle Shaft Chart
2	Flat Washer	4	246810	121416	

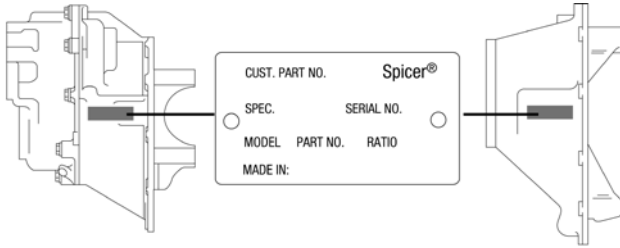
### SUMMARY OF KITS AND ASSEMBLIES

Oil Seal & Shim Kit	216225	Includes 29-30,36
Basic Overhaul Kit	216221	Contents Identified with *

## Model Identification

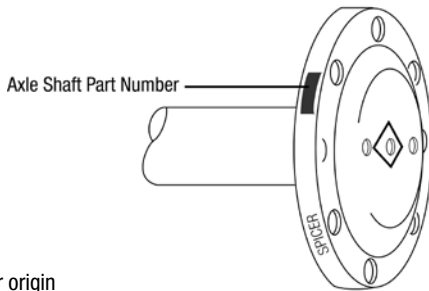
### LOCATING MODEL DESIGNATION INFORMATION

- Axle Model Identification, Part Number and Serial Number are located on a tag at the axle centerline. This information will help to locate information in this book and to identify the correct parts for servicing.



- Model Number, Part Number and Serial Number are located on the data plate on the axle centerline

### DRIVE AXLE ASSEMBLY TAG



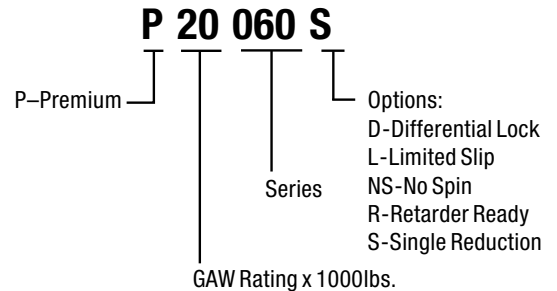
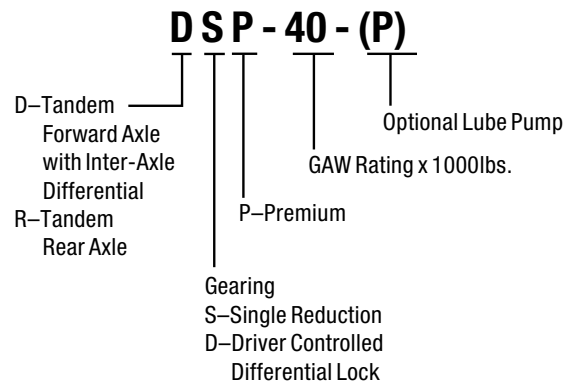
1. Country or origin
2. Axle model identification
3. Specification number assigned to the axle built by Spicer®. Identifies all component parts of the axle including special OEM requirements such as yokes or flanges
4. OEM part number assigned to the axle build
5. Carrier assembly serial number assigned by the manufacturing plant
6. Axle gear ratio
7. Carrier assembly production or service part number

When inquiring about specific information on your axle, write down all of the above information from your tag and call your local OEM dealer or your Dana representative.

*NOTE: The axles illustrated in this book are specified with a variety of different axle shafts, according to OEM specifications. When ordering replacement axle shafts, note the part number stamped into the flange.*

### USING MODEL DESIGNATION TO IDENTIFY AXLE COMPONENTS

The Axle Model Identification number contains information that is important to understand when purchasing service parts or new components. The Model Identification number provides important vehicle, capacity and application information and model features. Use this guideline to understand your Axle Model Identification. If you need assistance, contact your Dana representative.



## Dana Axle Models

The following base models are included in this publication:

### SINGLE REDUCTION SINGLE AXLE MODELS

Single Axle	Axle Capacity	Gear Size
17060S	17,000 Lbs	15.40"/15.70" Hypoid Gear, Nom.
19060S	19,000 Lbs	15.40"/15.70" Hypoid Gear, Nom.
21060S	21,000 Lbs	15.40"/15.70" Hypoid Gear, Nom.
22060S	22,000 Lbs	15.40"/15.70" Hypoid Gear, Nom.

### SINGLE REDUCTION SINGLE AXLE MODELS - BUS COACH GENTECH™ GEARING APPLICATIONS

Single Axle	Axle Capacity	Gear Size
17060S BC	17,000 Lbs	15.40"/15.70" GenTech™ - Hypoid
19060S BC	19,000 Lbs	15.40"/15.70" GenTech™ - Hypoid
21060S BC	21,000 Lbs	15.40"/15.70" GenTech™ - Hypoid
22060S BC	22,000 Lbs	15.40"/15.70" GenTech™ - Hypoid

### SINGLE REDUCTION SINGLE AXLE MODELS WITH WHEEL DIFFERENTIAL LOCK

Single Axle	Axle Capacity	Gear Size
17060D	17,000 Lbs	15.40"/15.70" Hypoid Gear, Nom.
19060D	19,000 Lbs	15.40"/15.70" Hypoid Gear, Nom.
21060D	21,000 Lbs	15.40"/15.70" Hypoid Gear, Nom.
22060D	22,000 Lbs	15.40"/15.70" Hypoid Gear, Nom.

### SINGLE REDUCTION TANDEM MODELS

Forward Axle	Rear Axle	Axle Capacity	Gear Size
DS344	RS344	34,000 Lbs	15.40"/15.70" Hypoid Gear, Nom.
DS404-(P)	RS404	40,000 Lbs	15.40"/15.70" Hypoid Gear, Nom.
DS405-(P)	RS405	40,000 Lbs	15.40"/15.70" Hypoid Gear, Nom.
DS454-(P)-NLA	RS454-NLA	45,000 Lbs	15.40"/15.70" Hypoid Gear, Nom.

### SINGLE REDUCTION TANDEM MODELS WITH WHEEL DIFFERENTIAL LOCK

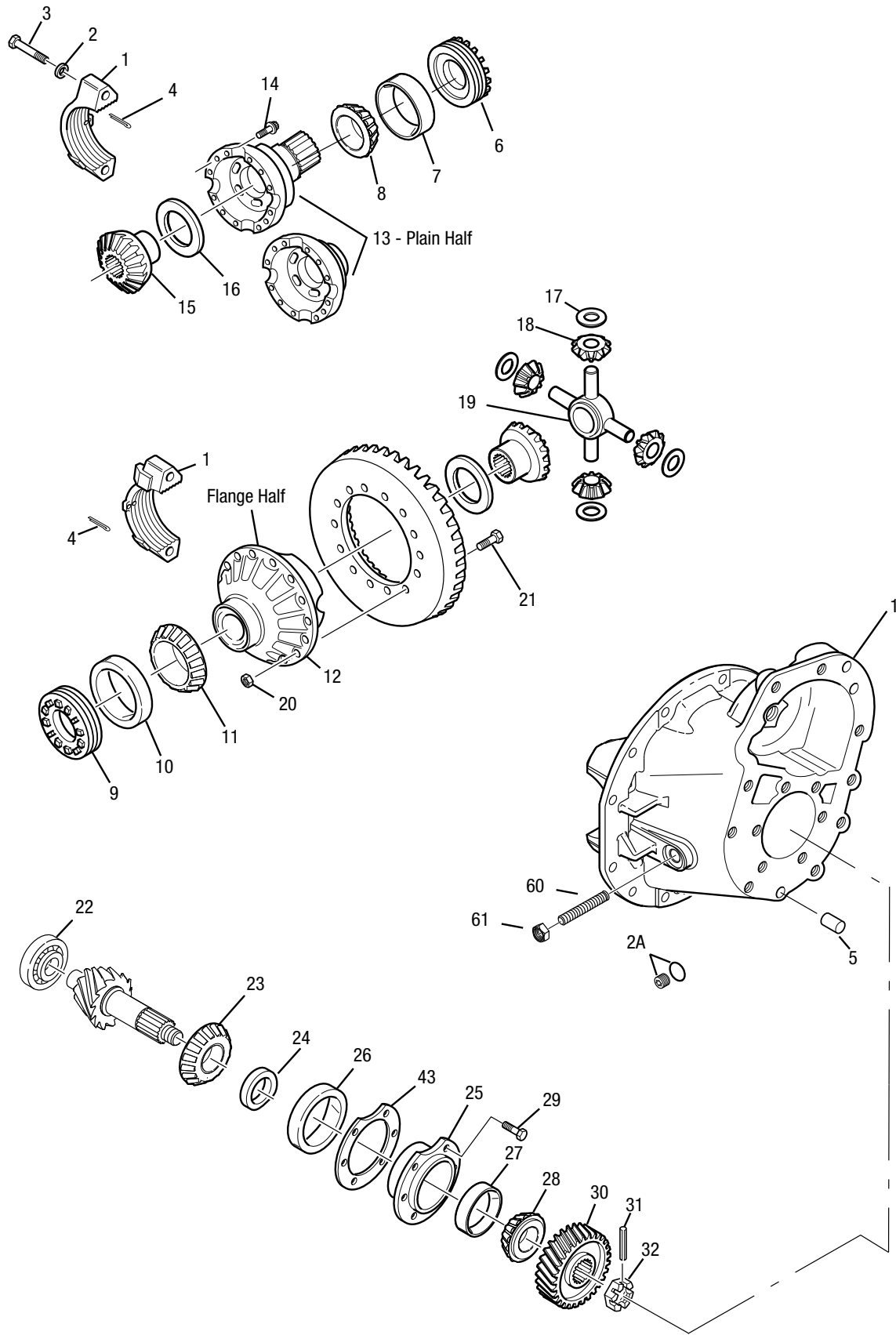
Forward Axle	Rear Axle	Axle Capacity	Gear Size
DD404-(P)	RD404	40,000 Lbs	15.40"/15.70" Hypoid Gear, Nom.
DD405-(P)	RD405	40,000 Lbs	15.40"/15.70" Hypoid Gear, Nom.
DD454-(P)-NLA	RD454-NLA	45,000 Lbs	15.40"/15.70" Hypoid Gear, Nom.

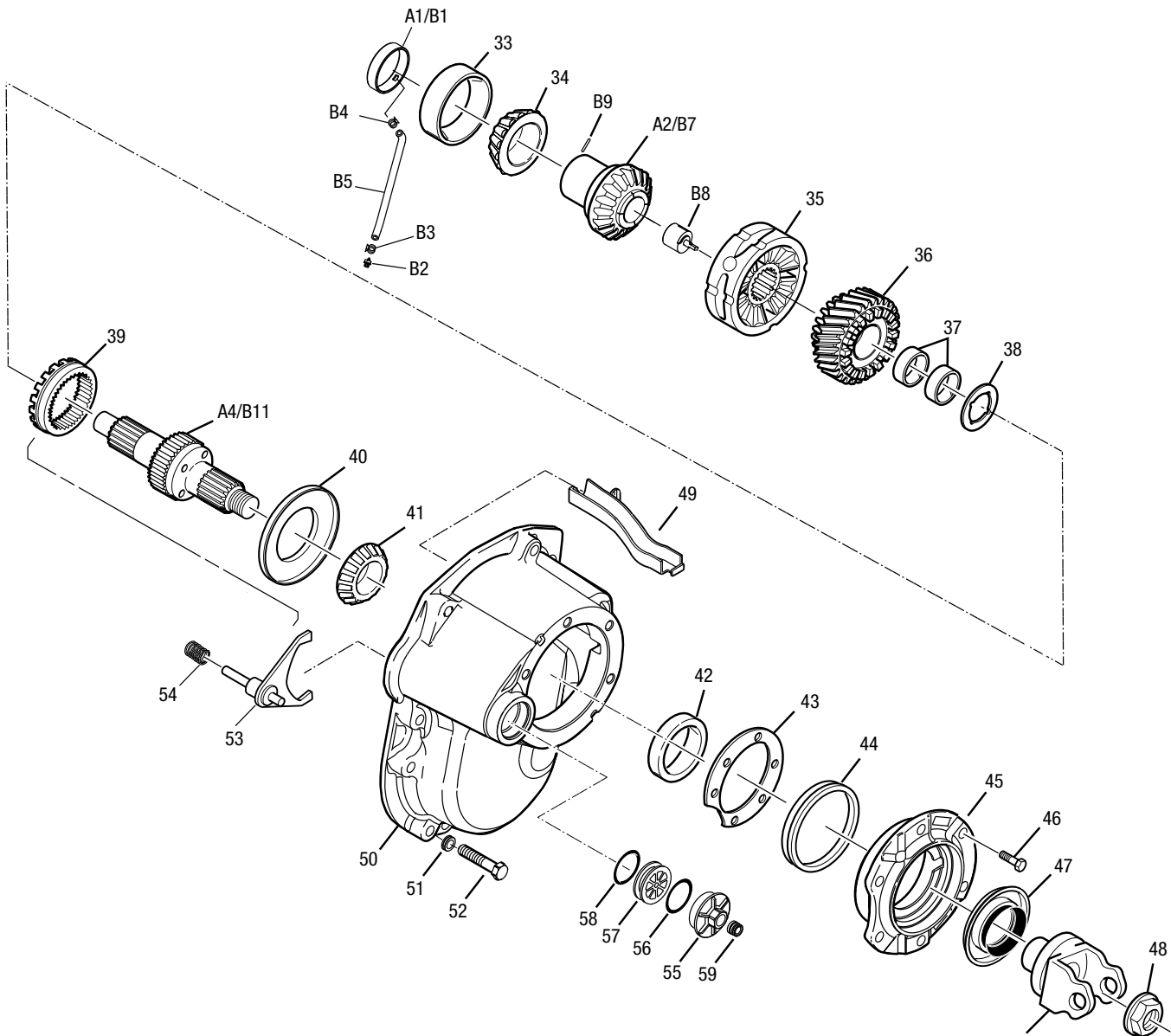
### SINGLE REDUCTION TANDEM MODELS WITH IASS (IN-AXLE SPEED SENSORS)-NLA

Forward Axle	Rear Axle	Axle Capacity	Gear Size
DA344-NLA	RA344-NLA	34,000 Lbs	15.40"/15.70" Hypoid Gear, Nom.
DA404-(P)-NLA	RA404-NLA	40,000 Lbs	15.40"/15.70" Hypoid Gear, Nom.
DA405-(P)-NLA	RA405-NLA	40,000 Lbs	15.40"/15.70" Hypoid Gear, Nom.
DA454-(P)-NLA	RA454-NLA	45,000 Lbs	15.40"/15.70" Hypoid Gear, Nom.

NOTE: The D/R454 and the DA/RA344-404 models no longer produced after 2001.

# Single Reduction-Forward Axles After June 2008







# Single Reduction-Forward Axles After June 2008



Item	Description	Qty	DS344(P)	DS404(P) DS405(P)	DD404(P) D405(P)	Notes	
<b>BASIC OVERHAUL KIT</b>			504030-1	504030-1	504031-1	Contents Identified with *; Replaces 504030 and 504031, Includes oil seal and correct mating slingers; <i>Reference HAXL-PNI-099 for more information</i>	
<b>CARRIER REBUILD BEARING KIT</b>			504033-1	504033-1	504034-1	Contents Identified with †; Replaces 504033 and 504034, Includes oil seal and correct mating slingers; <i>Reference HAXL-PNI-099 for more information; (No O/P BEARINGS RTV or O/P Seal)</i>	
1	Forward Carrier/Cap Sub-Assy					Includes items 2A and 33	
	Standard Mdls 132038-NSS	1	132466	132466	---		
	Diff-Lock Mdls 132043-NSS	1	---	---	132467	Includes items 2A and 33	
2	Flat Washer	4	210288	210288	210288		
2A	Plug, O-Ring	1	131809	131809	131809	O-ring not sold separately	
3	Capscrew	4	134481	134481	134481	Replaces 210095	
4	Cotter Pin	2	090873	090873	090873		
5	Dowel Pin	2	007641	007641	007641		
6	Diff Brg Adjuster - Plain Half	1	134608	134608	128616		
7	Brg Cup - Plain Half	1	134301*†	134301*†	134332*†	134301 replaces part # 009803 & 129566; 134332 replaces 015092; <i>Reference HAXL-PNI-033 for more information; Brg pts must be used in mated sets</i>	
8	Brg Cone - Plain Half	1	134300*†	134300*†	134331*†	134300 replaces part # 129565 & 027813. 134331 replaces 128604; <i>Reference HAXL-PNI-033 for more information; Brg pts must be used in mated sets</i>	
9	Diff Brg Adjuster - Flange Half	1	129128	129128	129128		
10	Brg Cup - Flange Half	1	134298*†	134298*†	134298*†	134298 replaces part # 129564 and 090943; <i>Reference HAXL-PNI-033 for more information; Brg pts must be used in mated sets</i>	
11	Brg Cone - Flange Half	1	134297*†	134297*†	134297*†	134297 replaces part # 129563 and 006082; <i>Reference HAXL-PNI-033 for more information; Brg pts must be used in mated sets</i>	
<b>WHEEL DIFF. CASE KITS</b>						Includes items 12-14	
12	Diff Case-RH (Flg Half)						
	129464	1	508653	508653	508724	Ratios 2.64 to 3.08	
	133738 (was 129465)		508654	508654	508725	Ratios 3.25 to 3.90	
	133739 (was 129466)		508655	508655	508726	Ratios 4.11 to 4.88	
	133740 (was 129467)		508656	508656	508727	Ratios 5.29 to 7.17	
13	Diff Case-LH (Plain Half)-Standard	1	132437	132437	---	Replaces 127498	
13	Diff Case-LH (Plain Half)-Diff Lock	1	---	---	128607HX		
14	Capscrew	12	127465	127465	127465		
<b>WHEEL DIFF SIDE GEAR KIT</b>			217461	510397	510397		
	39 Inv Spline		217461	---	---	Includes items 15-19	
	41 Inv Spline		---	216229	216229	Includes items 15-19	
<b>WHEEL DIFF KIT w/o SIDE GEARS</b>			216228	510397	510396	Includes items 16-19	
15	Side Gear - 39 Inv Spline	2	127367	---	---		
	Side Gear - 41 Inv Spline	2	---	127368	127368		
16	Side Gear Thrust Washer	2	---	127386*†	127386*†		
17	Side Pinion Thrust Washer	4	---	129305*†	129305*†		
18	Side Pinion	4	133761	133784	133784		
19	Diff Spider	1	127359	129599	129599		
<b>RING GEAR NUT &amp; BOLT KIT</b>			1	508652	508652	508652	Includes items 20-21
20	Nut-Ring Gear	16	126216	126216	126216		
21	Bolt-Ring Gear	16	10010020	10010020	10010020	Replaces 129686	
22	Pinion Pilot Brg	1	10038915*†	10038915*†	10038915*†		
23	Pinion Brg Cone - Inner	1	134291*†	134291*†	134291*†	Replaces part # 129560 & 085439. <i>Reference HAXL-PNI-033 for more information; Brg pts must be used in mated sets</i>	
<b>24 PINION BRG SPACER KIT</b>			AR	504043	504043	504043	Individual Pinion Bearing Spacers Listed on pg 21
25a	Pinion Brg Cage & Cup Assy - Current Production	1	134316	134316	134316	Current Production - Cage #127488C Includes item 25b and new design cups 0134292 & 134295; <i>Reference HAXL-PNI-033 for more information; Brgs must be used in sets</i>	
25b	Pinion Brg Cage & Cup Assy - Service Only	1	129767	129767	129767	Svc Only Item - Cage#127488C Includes item 25b and Timken design cups 012495 & 129561; <i>Reference HAXL-PNI-033 for more information; Brgs must be used in sets</i>	
26	Pinion Brg Cup - Inner	1	134292*†	134292*†	134292*†	Replaces part # 129561; <i>Reference HAXL-PNI-033 for more information; Brg pts must be used in mated sets</i>	
27	Pinion Brg Cup - Outer	1	134295*†	134295*†	134295*†	Replaces part # 012495; <i>Reference HAXL-PNI-033 for more information; Brg pts must be used in mated sets</i>	
28	Pinion Brg Cone - Outer	1	134294*†	134294*†	134294*†	Replaces part # 127535; <i>Reference HAXL-PNI-033 for more information; Brg pts must be used in mated sets</i>	

Item	Description	Qty	DS344(P)	DS404(P) DS405(P)	DD404(P) D405(P)	Notes
29	Capscrew	6	210115	210115	210115	
30	Pinion Helical Gear	1	10000336	10000336	10000336	Replaces 127523
31	Roll Pin	1	118807	118807	118807	
32	Slotted Pinion Nut	1	126182	126182	126182	M42-1.5 (65mm socket)
<b>A</b>	<b>MANIFOLD PARTS KIT - NON PUMP</b>	1	513880	513880	513880	<b>NON PUMP - Includes 132435</b>
A1	Seal Manifold Assy - Non Pump #132435-NSS	1	—	—	—	NON PUMP - Must order kit
A2	Output Side Gear - Non Pump	1	10049643	10049643	10049643	Replaces 132443; Reference HAXL-PNI-096 & HAXL-PNI-098 for more information; NON PUMP - Included in Major & Minor Power Divider Kits
<b>A3</b>	<b>INPUT SHAFT KIT - NON PUMP</b>	1	504181	504181	504181	<b>NON PUMP - Includes 132447 &amp; 128049 - replaces 504026</b>
A4	Input Shaft-Non Pump #132447-NSS	1	—	—	—	NON PUMP - Must order kit - Replaces 504026 See HAXL-PNI-073
<b>B</b>	<b>MANIFOLD PARTS KIT - PUMP MODEL</b>	1	504029	504029	504029	<b>PUMP MODELS - Includes 133964,134010,129338,134011,131366</b>
B1	Seal Manifold Assy Pump #131366-NSS	1	—	—	—	PUMP MODELS - Must order kit
B2	Filter Screen Assy	1	133964	133964	133964	PUMP MODELS
B3	Collar Lock	1	134010	134010	134010	PUMP MODELS
B4	Clamp	1	129338	129338	129338	PUMP MODELS
B5	Lube Hose	1	134011	134011	134011	PUMP MODELS
<b>B6</b>	<b>LUBE PUMP KIT</b>	1	504028-1	504028-1	504028-1	<b>PUMP MODELS - Includes 132060,131541,132061,131368; Output side gear removed, Reference HAXL-PNI-096 and HAXL-PNI-098 for more information</b>
B7	Output Side Gear - Pump Model	1	10026796	10026796	10026796	Replaces 132061; Reference HAXL-PNI-096 & HAXL-PNI-098 for more information
B8	Lube Pump-Intregal	1	131368	131368	131368	
B9	Pump Locking Pin	1	131541	131541	131541	PUMP MODELS
<b>B10</b>	<b>INPUT SHAFT KIT - PUMP MODEL</b>	1	504182	504182	504182	<b>PUMP MODELS - Includes 132446 &amp; 128049 replaces 504027</b>
B11	Input Shaft-Pump Model #132446-NSS	1	—	—	—	PUMP MODELS - Must order kit - Input Shafts are included in Major Power Divider kits - Replaces 504027 See HAXL-PNI-073
33	Bearing Race	1	110811*†	110811*†	110811*†	
34	Bearing Cone	1	132060*†	132060*†	132060*†	
35	Inter-Axle Diff Assy	1	10085729	10085729	10085729	REPLACES 134192; Reference HAXL-PNI-096 and HAXL-PNI-098 for more information; Included in Major & Minor Power Divider Kits
36	Helical Side Gear & Bushing Assy Assy Gear Stamp#130906-NSS	1	10000528	10000528	10000528	Replaces 130907 HOWEVER, OLD & NEW DESIGNS CANNOT MIX; Reference HAXL-PNI-096 and HAXL-PNI-098 for more information
37	Bushing - Helical Gear	2	129371	129371	129371	
38	Thrust Washer - Helical Gear	1	132439*†	132439*†	132439*†	Replaces 128702. Included in Major Power Divider Kits
39	Lockout Sliding Clutch	1	127510	127510	127510	
40	Oil Retainer	1	128700	128700	128700	
41	Input Shaft Bearing Cone	1	134303*†	134303*†	134303*†	Replaces part # 129558; Reference Bulletin #HAXL-PNL-33 for more information; Brg pts must be used in mated sets;
42	Bearing Cup	1	134304*†	134304*†	134304*†	Replaces part # 129559 & 1008912 pts; Reference Bulletin #HAXL-PNL-33; Brg pts must be used in mated sets; For PDU Cover & Lockout Details See page 15
<b>OIL SEAL &amp; SHIM KIT</b>		1	216224-1	216224-1	216224-1	<b>Replaces 216224, Includes shims &amp; oil seal and correct mating slingers; Reference HAXL-PNI-099 for more information</b>
<b>PINION CAGE SHIM KIT</b>		1	504032	504032	504032	<b>Includes 5 each of shims below</b>
43	Shim.003"	AR	127595*†	127595*†	127595*†	
	Shim.005"		127596*†	127596*†	127596*†	
	Shim.010"		127597	127597	127597	
	Shim.020"		127598	127598	127598	
	Shim.030"		127599	127599	127599	
44	Oil Seal-V-Ring	1	128703	128703	128703	
45a	Input Brg Cover Assy - Current Production	1	134290	134290	134290	Cast #129574C, Includes item 45a and 134304 cup; Reference Bulletin #HAXL-PNL-33 for more information; Brg pts must be used in mated sets;
45b	Input Brg Cover Assy-Service Only	1	129575	129575	129575	Cast #129574C, Includes item 45b and Timken design Brg Cup 1008912; <i>see Dana bulletin # mated sets</i>
46	Bearing Cover Cap Screw	6	210115	210115	210115	
47	Oil Seal	1	2019185*†	2019185*†	2019185*†	Replaces 127591; Reference HAXL-PNI-099 for more information
48	Locknut	1	128049	128049	128049	Included in 510593 Kit (M42-1.5) - Nut is also included in Major Power Divider Kits
49	Lube Trough	1	129577	129577	129577	

For PDU Cover & Lockout Parts 50-59 - See page 20  
 NSS - Not Sold Separately

## SPICER POWER DIVIDER REBUILD SERVICE KITS

Dana has released Power Divider Service kits in 2012 (refer to bulletin #HAXL-PNI-27) these kits are popular kits to stock for dealers repairing any of the forward carriers listed above. Additionally, there was a modification to improve the gear design in March 2018. These kits have been replaced with new part numbers signified below (refer to bulletins #HAXL-PNI-096 and HAXL-PNI-098).

Power Divider Kit-Minor (pump models)	504404-3G	Replaces 504404-3, Includes items (35-36, AND OUTPUT SIDE GEAR 10026796)	For models designed AFTER June 2008
Power Divider Kit-Major (pump models)	504404-4G	Replaces 504404-4, Includes items (35-36, 38, 48, B7, B8, B11)	For models designed AFTER June 2008
Power Divider Kit-Minor (non pump models)	504404-5G	Replaces 504404-5, Includes items (35-36, A2)	For models designed AFTER June 2008
Power Divider Kit-Major (non pump models)	504404-6G	Replaces 504404-6, Includes items (35-36, 38, 48, A2, A3)	For models designed AFTER June 2008

### D344, D404(P), D405(P), D454(P)

#### PINION BRG SPACER KIT: 504043 (INCLUDES ITEMS WITH \*)

New Spacers	Spacer Thickness
129079	0.797
129080	0.798
129081	0.800
129082	0.801
129083	0.802
129084	0.803
129085	0.804
129086*	0.806
129087	0.807
129088	0.808
129089	0.809
129090*	0.810
129091	0.811
129093	0.812
129097	0.814
129099*	0.815
129101	0.816
129103*	0.817
129105	0.818
129107	0.819
129109*	0.820
129111	0.821
129113	0.822
129115	0.823
129117*	0.824
129119	0.825
129120*	0.826
129121	0.828
129122	0.829
129123	0.830
129124*	0.831
129125	0.832
129126	0.833

### R344, R404, R405, R454, 17,19,21,22060

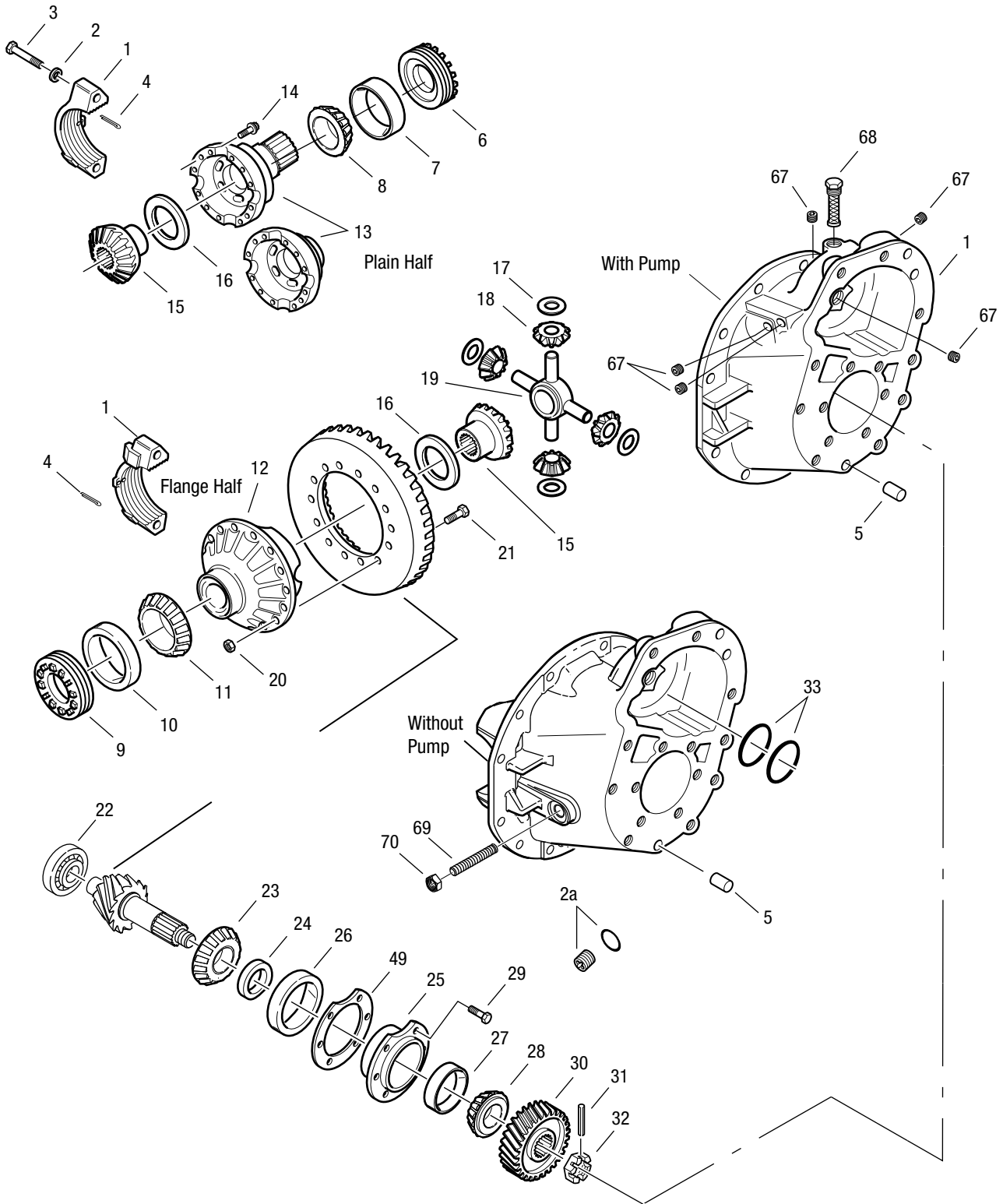
#### PINION BRG SPACER KIT: 504016 (INCLUDES ITEMS WITH \*)

Bearing Spacers Part #	Spacer Thickness
91552*	0.623
91553	0.624
91554	0.625
91555	0.626
91556*	0.627
91557	0.628
91558	0.629
91559*	0.630
91560	0.631
91561	0.632
91562	0.633
91564	0.634
91566	0.635
91568	0.636
91572*	0.637
91576	0.638
91580*	0.639
91584	0.640
91588	0.641
91592	0.642
91596*	0.643
91600	0.644
91602*	0.645
91604	0.646
91606	0.647
91608	0.648
91610	0.649
91611	0.650
91612	0.651
91613	0.652
91614*	0.653
91615	0.654

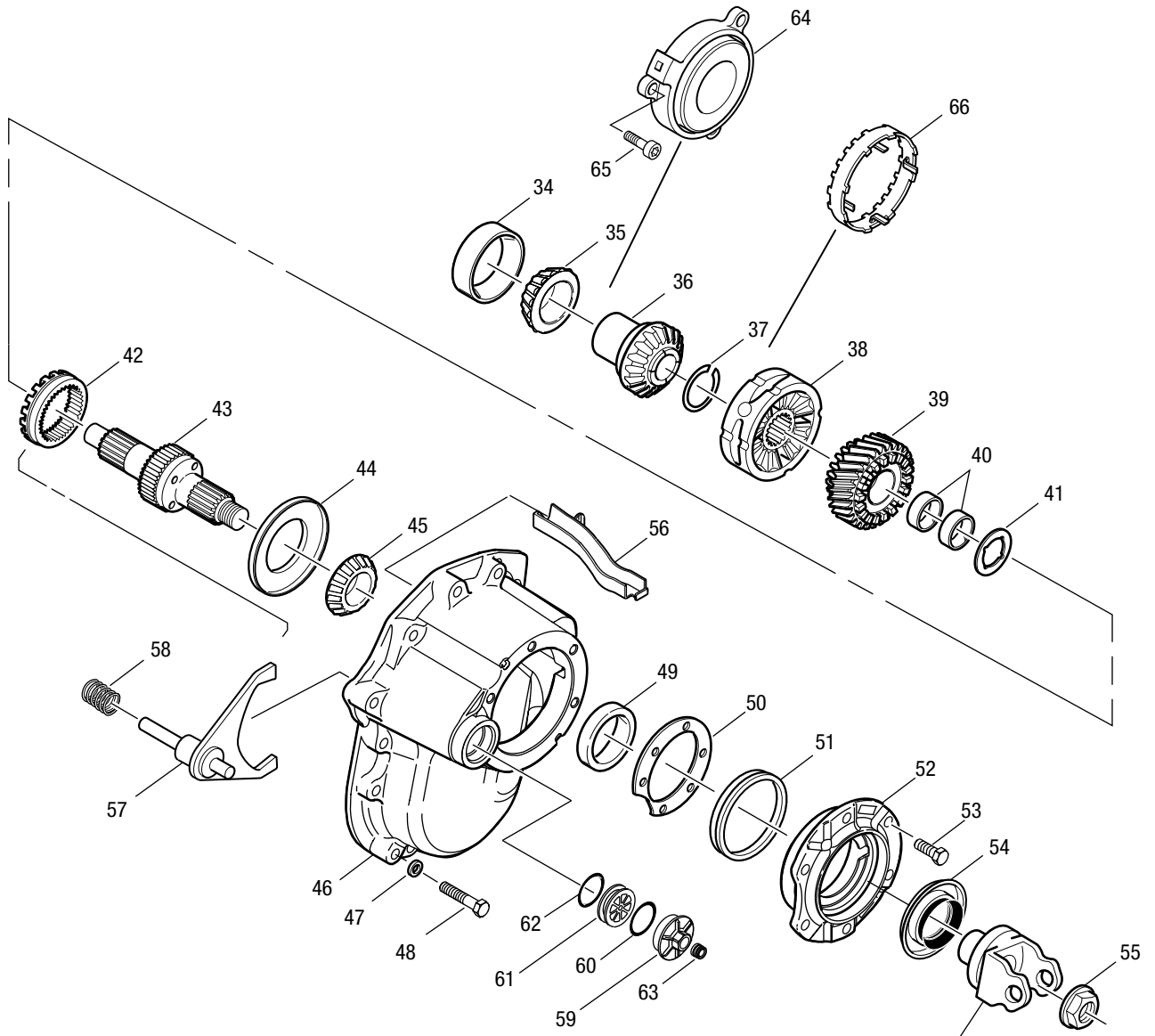
*NOTE: March 1, 1995 – Dana Spicer D344/404/405/454 series axles were built with a thicker variable pinion spacer different from the original design, axles built before this date used a “two” washer setup. This “two” washer setup is comprised of a spacer washer (127565) and a variable pinion bearing spacer (part number by thickness).*

When servicing the above models, select a variable pinion bearing spacer from the list below to attain the correct pinion bearing preload. All procedures on “Pinion Bearing Preload” remain the same and the proper steps should be followed according to your Dana Spicer Service Manual. If you have an existing 127565 spacer washer, do not use it with the new variable pinion bearing spacers listed below.

Spacer washer 127565 is no longer available and has been removed from all service kits. The current variable pinion bearing spacers listed above are sold separately or available in listed pinion bearing spacer kit.



Single Reduction-Forward Axles  
Before June 2008



Item	Description	Qty	DA344 DS344(P) DA404(P) DS404(P) DA405(P) DS405(P)	DA454(P) DS454(P)	DD404(P) DD405(P) DD454(P)	Notes
<b>BASIC OVERHAUL KIT</b>			510393-1	510393-1	510399-1	Contents Identified with * Replaces 216220 and 217463, Includes oil seal; <i>Reference HAXL-PNI-099 for more information</i>
<b>BEARING KIT</b>			512812-1	512812-1	512800-1	Replaces 216234 and 512800, Includes oil seal; <i>Reference HAXL-PNI-099 for more information</i>
<b>CARRIER REBUILD BEARING KIT</b>			504161-1	504161-1	N/a	

1 Diff Carr & Brg Caps Kit NLA - See Chart and Notes Below

Model Type	Part #	Casting #	Notes
DS344/404/405/454	510023-NLA	130809	Replaces 129539, 129540
DS404P/405P/454P	510024-NLA	130819	Replaces 129551
DD404/405/454	510027-NLA	130814	Replaces 129550
DD404P/405P/454P	510028-NLA	130814	Replaces 129550
DA344/404/405/454	510031-NLA	130809	Replaces 129539, 129540
DA404P/405P/454P	510032-NLA	130819	Replaces 129551

Includes 1-3, 5  
D454(P) Models also include items 67-68

*NOTE: All Original Carr/Caps are NLA Must Purchase Complete Carrier. Refer to bulletin abib-0805*

2	Flat Washer	4	210288	210288	210288	
2A	Plug, O-Ring	1	131809	131809	131809	O-ring not sold seperately
3	Capscrew	4	134481	134481	134481	Replaces 210095
4	Cotter Pin	2	090873	090873	090873	Replaces 126156
5	Dowel Pin	2	007641	007641	007641	
6	Diff Brg Adjuster - Plain Half	1	134608	134608	128616	
	DA models see page 22	1	—	—	—	
7	Brg Cup - Plain Half	1	134301*	134301*	134332*	134301 replaces part #009803 & 129566. 134332 replaces 015092, Reference Bulletin #HAXL-PNI-33 for more information; <i>Brg pts must be used in mated sets</i>
8	Brg Cone - Plain Half	1	134300*	134300*	134331*	134300 replaces part #027813 & 129565. 134331 replaces 128604, Reference Bulletin #HAXL-PNI-33 for more information; <i>Brg pts must be used in mated sets</i>
9	Diff Brg Adjuster - Flange Half	1	129128	129128	129128	
	For DA models see page 22	1	—	—	—	
10	Brg Cup - Flange Half	1	134298*	134298*	134298*	134298 replaces part #129564 and 090943, Reference Bulletin #HAXL-PNI-33 for more information; <i>Brg pts must be used in mated sets</i>
11	Brg Cone - Flange Half	1	134297*	134297*	134297*	134297 replaces part #129563 and 006082, Reference Bulletin #HAXL-PNI-33 for more information; <i>Brg pts must be used in mated sets</i>

**WHEEL DIFF. CASE KITS** Includes items 12-14

12	Diff Case-RH (Flg Half)					
	129464	1	508653	508653	508724	Ratios 2.64 to 3.08
	133738 (was 129465)		508654	508654	508725	Ratios 3.25 to 3.90
	133739 (was 129466)		508655	508655	508726	Ratios 4.11 to 4.88
	133740 (was 129467)		508656	508656	508727	Ratios 5.29 to 7.17
13	Diff Case-LH (Plain Half)-Standard	1	132437	132437	—	Replaces 127498
	Diff Case-LH (Plain Half)-Diff Lock		—	—	128607HX	
14	Capscrew	12	127465	127465	128619	

**WHEEL DIFF SIDE GEAR KIT** 217461 510397 510397 Includes items 15-19

	All 344 models-39 Inv		217461	—	—	
	All other models-41 Inv		216229	216229	216229	

**WHEEL DIFF KIT w/o SIDE GEARS** 510396 510396 510396 Includes items 16-19

15	Side Gear					
	39 Inv spline	2	127367	—	—	
	41 Inv spline	2	127368	127368	127368	
16	Side Gear Thrust Washer	2	127386*	127386*	127386*	
17	Side Pinion Thrust Washer	4	129305*	129305*	129305*	
18	Side Pinion	4	133761	133784	133784	133761 replaces 127364
19	Diff Spider	1	127359	127599	127599	

**RING GEAR NUT & BOLT KIT** 508652 508652 508652 Includes items 20-21

20	Nut-Ring Gear	16	126216	126216	126216	
21	Bolt-Ring Gear	16	10010020	10010020	10010020	Replaces 128806, 129686; Reference Bulletin ABIB-9701 for more information

# Single Reduction-Forward Axles Before June 2008



Item	Description	Qty	DA344 DS344(P) DA404(P) DS404(P) DA405(P) DS405(P)	DA454(P) DS454(P)	DD404(P) DD405(P) DD454(P)	Notes
22	Pinion Pilot Brg	1	10038915*	10038915*	10038915*	Will replace 127484 in early 2018
23	Pinion Brg Cone - Inner	1	134291*	134291*	134291*	Replaces part #129560 & 085439, Reference Bulletin #HAXL-PNI-33 for more information; <i>Brg pts must be used in mated sets</i>
<b>24</b>	<b>PINION BRG SPACER (SVC KIT)</b>	<b>AR</b>	<b>504043</b>	<b>504043</b>	<b>504043</b>	<b>Individual Pinion Bearing Spacers Listed on page 9</b>
25a	Pinion Brg Cage & Cup Assy - Current Production	1	134316	134316	134316	Cage #127488C Includes item 25b and new design cups 0134292 & 134295; Reference Bulletin #HAXL-PNI-33 for more information; <i>Brgs must be used in sets</i>
25b	Pinion Brg Cage & Cup Assy - Service Only	1	129767	129767	129767	Cage #127488C Includes item 25b and Timken design cups 012495 & 129561; Reference Bulletin #HAXL-PNI-33 for more information; <i>Brgs must be used in sets</i>
26	Pinion Brg Cup - Inner	1	134292*	134292*	134292*	Replaces part #129561, Reference Bulletin #HAXL-PNI-33 for more information; <i>Brg pts must be used in mated sets</i>
27	Pinion Brg Cup - Outer	1	134295*	134295*	134295*	Replaces part #012495, Reference Bulletin #HAXL-PNI-33 for more information; <i>Brg pts must be used in mated sets</i>
28	Pinion Brg Cone - Outer	1	134294*	134294*	134294*	Replaces part #127535, Reference Bulletin #HAXL-PNI-33 for more information; <i>Brg pts must be used in mated sets</i>
29	Capscrew	6	210115	210115	210115	
30	Pinion Helical Gear	1	10000336	10000336	10000336	Replaces 127523
31	Roll Pin	1	118807	118807	118807	
32	Slotted Pinion Nut	1	126182	126182	126182	
33	Output Shaft O-Ring	2	127545*‡	127545*‡	127545*‡	
34	Output Shaft Brg Cup	1	127536*	127536*	127536*	
35	Output Shaft Brg Cone	1	110812*	110812*	110812*	
36	Output Shaft Side Gear	1	10026797	10026797	10026797	Replaces 127645; Reference HAXL-PNI-096 & HAXL-PNI-098 for more information; O/P Side Gear included in Major & Minor Power Divider Kits
37	Snap Ring	1	085997*	085997*	085997*	The 085997 Snap Ring is used for "Reassembly purposes only" and is not used in models built after June 2008 - it is not a required item.
38	Inter-Axle Diff Assy	1	10085729	10085729	10085729	REPLACES 134192; Reference HAXL-PNI-096 & HAXL-PNI-098 for more information; Included in Major & Minor Power Divider Kits
39	Helical Side Gear & Bushing	1	10000528	10000528	10000528	Replaces 130907 HOWEVER, OLD & NEW DESIGNS CANNOT MIX; Reference HAXL-PNI-096 and HAXL-PNI-098 for more information;
40	Bushing - Helical Gear	2	129371	129371	129371	129371 Replaces 127543
41	Thrust Washer - Helical Gear	1	132439*	132439*	132439*	Replaces 128702. Included in Major Power Divider Kits
42	Lockout Sliding Clutch	1	127510	127510	127510	
43	Input Shaft Kit shaft 132447	1	510593	510593	510593	Includes Items 43 & 58. Included in Major Power Divider Kits. Replaces 216226, 504026 (shaft #128704) & 510593 (shaft #129770); Kit 504181 replaces kits 504026 (shaft#132447), kit 510593 (shaft #129770) & kit 216226 (shaft #128704) in all situations. Reference Bulletins #HAXL-PNI-34 & HAXL-PNI-073
44	Oil Retainer	1	128700	128700	128700	
45	Input Shaft Bearing Cone	1	134303*	134303*	134303*	Replaces part #129558, Reference Bulletin #HAXL-PNI-33; <i>Brg pts must be used in mated sets</i>
46	PDU Cover	1	130823	130823	130823	Replaces 129572
47	Washer	11	128415	128415	128415	
48	Capscrew Long	11	210091	210091	210091	
49	Oil Retainer	1	-	-	-	
50	Bearing Cup	1	134304*	134304*	134304*	Replaces part #129559 & 1008912 pts, Reference Bulletin #HAXL-PNI-33; <i>Brg pts must be used in mated sets</i>
<b>OIL SEAL &amp; SHIM KIT</b>		<b>1</b>	<b>216224-1</b>	<b>216224-1</b>	<b>216224-1</b>	<b>Replaces 216234 and 512800, Includes oil seal. Reference HAXL-PNI-099 for more information. Includes items 51, 57 &amp; 127592 Oil Seal</b>
<b>PINION CAGE SHIM KIT</b>		<b>1</b>	<b>504032</b>	<b>504032</b>	<b>504032</b>	<b>Includes 5 each of shims below</b>
51	Shim.003"	AR	127595*	127595*	127595*	
	Shim.005"		127596*	127596*	127596*	
	Shim.010"		127597*	127597*	127597*	
	Shim.020"		127598*	127598*	127598*	
	Shim.030"		127599*	127599*	127599*	

Item	Description	Qty	DA344 DS344(P) DA404(P) DS404(P) DA405(P) DS405(P)	DA454(P) DS454(P)	DD404(P) DD405(P) DD454(P)	Notes
52	Oil Seal-V-Ring	1	128703*	128703*	128703*	
53a	Input Brg Cover Assy - Current Production		134290	134290	134290	Cage #129574C Includes item 53a and item #50 134304 cup. This is used on all Service Units made after June 2008. <i>Brgs must be used in sets - Reference Bulletin HAXL-PNI-33 for more information</i>
53b	Input Brg Cover Assy - Service Only		129575	129575	129575	Cage #129574C Includes item 53b and Timken design cup item #50 129559; <i>Brgs must be used in sets - Reference Bulletin HAXL-PNI-33 for more information</i>
54c	Input Brg Cover Assy - Before 1988 - Service Only	1	127602	127602	127602	Cage #127490C Includes item 53c and Timken design cup item #50 129559; <i>Brgs must be used in sets - Reference Bulletin HAXL-PNI-33 for more information</i>
55	O-Ring (Refer to Note-55)	1	129576-NLA	129576-NLA	129576-NLA	Used on mdl's made after 11/2/98; This cage o-ring is no longer used in these models and is also no longer required when rebuilding the carrier. RTV can be used as replacement for this o-ring. The o-ring is no longer available through Dana.
56	Bearing Cover Cap Screw	6	210115	210115	210115	
57	Oil Seal	1	2019185*	2019185*	2019185*	Replaces 127591; <i>Reference HAXL-PNI-099 for more information</i>
58	Locknut	1	128049	128049	128049	M42-1.5 Nut is also included in Major Power Divider Kits
59	Plug	1	090325	090325	090325	Reference Bulletin AXIB-9510 for more information
60	Lube Trough	1	129577	129577	129577	
61	Lube Pump Assembly	1	127534	127534	127534	Pump Models Only
62	Capscrew	3	127551	127551	127551	Pump Models Only
63	Drive Coupling - Service	1	128628	128628	128628	Pump Models Only
64	Poppet Valve Plug +C201:C202	1	019411-nla	019411-nla	019411-nla	Pump Models Only; Hole size changed 2/97; Same as 90897
65	Pipe Plug	4	090897	090897	090897	Pump Models Only
66	Filter Screen Assy	1	127649	127649	127649	Pump Models Only
67	Thrust Screw	1	—	126193	—	
68	Jam Nut	1	—	210184	—	
69	RTV - Sealant 3oz	1	107276S	107276S	107276S	Not Illustrated

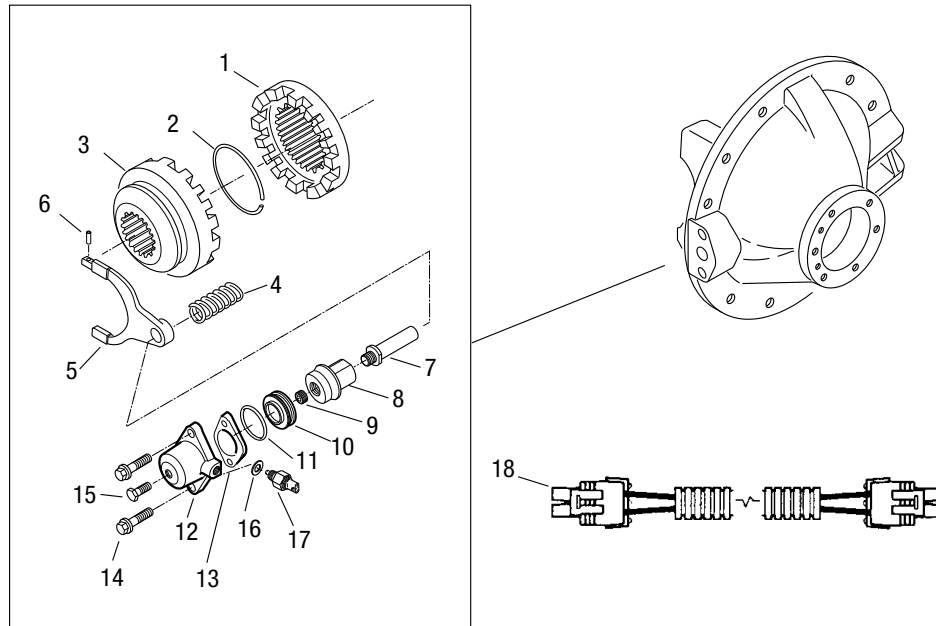
*NSS - Not Sold Separately*

**SPICER POWER DIVIDER REBUILD SERVICE KITS**

Dana has released Power Divider Service kits in 2012 (refer to bulletin #HAXL-PNI-27) these kits are popular kits to stock for dealers repairing any of the forward carriers listed above. Additionally, there was a modification to improve the gear design in March 2018. These kits have been replaced with new part numbers signified below (refer to bulletins #HAXL-PNI-096 and HAXL-PNI-098).

Power Divider Kit-Minor	504394	Replaces 504404-1, Includes items (36, 38-39)	For models designed BEFORE June 2008
Power Divider Kit-Major	504404-2G	Replaces 504404-2, Includes items (36, 38-39, 41, 43, 58)	For models designed BEFORE June 2008





Item	Description	Qty	All Diff Lock Models	Notes
1	Fixed Curvic Clutch Gear	1	128627	
2	Snap Ring	1	129433	Replaces 210299
3	SL Curvic Clutch Gear - 41 Inv spline	1	126840	
4	Compression Spring	1	128614	
<b>SHIFT FORK ASSY</b>			<b>217465</b>	<b>Includes items 5-6</b>
5	Shift Fork - 128611C NSS	1	—	128609 Fork – NSS
6	Spring Pin	1	210020	
7	Push Rod	1	128617	
8	Piston Driver	1	128640	
9	Set Screw	1	128618	Metric M16x2
10	Piston	1	128624	
11	O-Ring	1	210180	
12	Piston Cover (english set screw hole)	1	129425	
13	Gasket	1	128643	
14	Capscrew - Fig Head	2	128744	
15	Capscrew-Engagement	1	128274	Metric - M12 x 1.5
15a	Set Screw-Engagement	1	129946	English - .250-18 threads
16	Washer	1	129034	
17	Switch	1	129035	
18	Wiring Harness	1	—	

After July 1, 1996 (Bulletin ABIB-9609) the diff lock selector switch is located on a piston cover that has a 14 mm threaded hole to accommodate the 129035 switch. The original piston covers are replaced by PISTON COVER UPGRADE KITS and the 129035 selector switch is now included with any Carrier Unit built after July 1, 1996 (date code H96183). When ordering a piston cover upgrade kit, it is important to select a kit that includes the proper wiring harness for the vehicle being repaired — reference charts below.

Item	Parts Used before 7/1/1996	Parts Used after 7/1/1996	Description	Notes	Order Upgrade Kit
1	210280 Note 1	129035	Selector Switch	Note 2	—
2	126618	129034	Nylon Washer - Black		—
3	128146 Note 1	129044	Wiring Harness	Metri-Pack 150 Series	508396
4	128445 Note 1	129046	Wiring Harness	Metri-Pack 280 Series	508291
5	128481 Note 1	129047	Wiring Harness	Weather Pack	508289
6	128641	129425	Piston Cover	Inch Thread Airline Hole	See Below
6	128612* - NLA	129424* - NLA	Piston Cover	Metric Thread Airline Hole	508290 - NLA

NOTE 1: Part is no longer available, you must order upgrade kits

NOTE 2: Service carrier units built after 7/1/96 are built with 129425 Piston Covers and include a new selector switch.

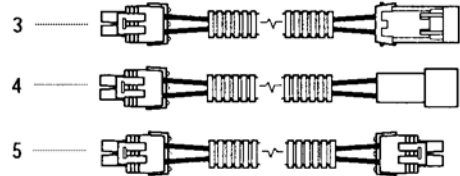
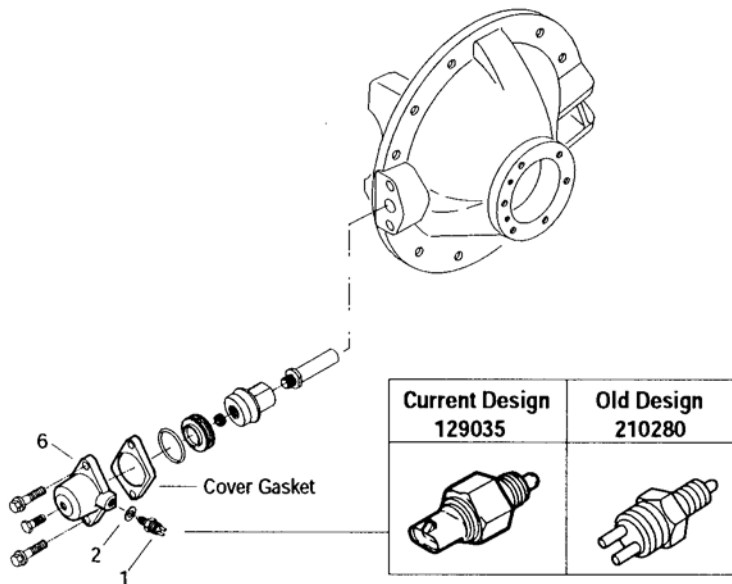
**PISTON COVER UPGRADE KITS**

Description	Kit Contents			
	508289	508290-NLA	508291	508396
1. Selector Switch - 14 MM	129035	129035	129035	129035
2. Nylon Washer	129034	129034	129034	129034
6. Piston Cover*	129425	129424-NLA*	129425	129425
3-5. Wiring Harness	129047	129047	129046	129044
Cover Gasket	128643	128643	128643	128643

\*Cover 129424 and 128612 have metric threaded airline hole for GMC applications - these parts are NLA now.

**WIRING HARNESS USAGE BY OEM**

OEM	Wiring Harness Part Numbers	
	Before 7/1/96	After 7/1/96
5. Volvo, GMC, Navistar, Kenworth, Peterbilt	128481	129047
3. Western Star, Freightliner, Ford	128146	129044
4. Mack	128445	129046



After 11/2/1998

Item	Description	Qty	Integral Shift Cylinder Models	Notes
1	Plastic Shipping Plug	1	599792	
2	Piston Cover Assy	1	129573	Cover 129578, Includes 3
3	O-Ring	1	129579	
4	Piston	1	129580	
5	O-Ring	1	210180	
6	Push Rod Assy	1	N/a	Order Kit 510870
7	Shift Fork Assy	1	129856	Order Kit 510870
8	Compression Spring	1	129859	
9	Shift Fork Assy - Welded	1	129856	Order Kit 510870
10	Compression Spring	1	129859	included in 510870 kit
11	PDU Cover - 9 hole	1	129572-NLA	Note 1
12	PDU Cover - 11 hole	1	130823	Note 1
13	Capscrew			
	After 11/2/98	9	210091	Note 1
	After 2/2/00	11	210091	Note 1
14	Washer - Capscrew	11	128415HX	

NSS - Not Sold Separately

NOTE 1: On June 3, 2002 the design of the power divider cover changed. The original PDU cover (P/N: 129572) had 9 holes and required 9 fasteners. The current design PDU cover (P/N: 130823) has 11 holes and requires the use of 11 long fasteners. The original 129572 covers are no longer available through Dana.

SUMMARY OF KITS AND ASSEMBLIES

Air L/O Kit - Complete	510052	Includes: 1-8
Repair Kit	510053	Includes: 2-5
Shift Fork & Compression Spring Kit	510870	Includes: 9-10

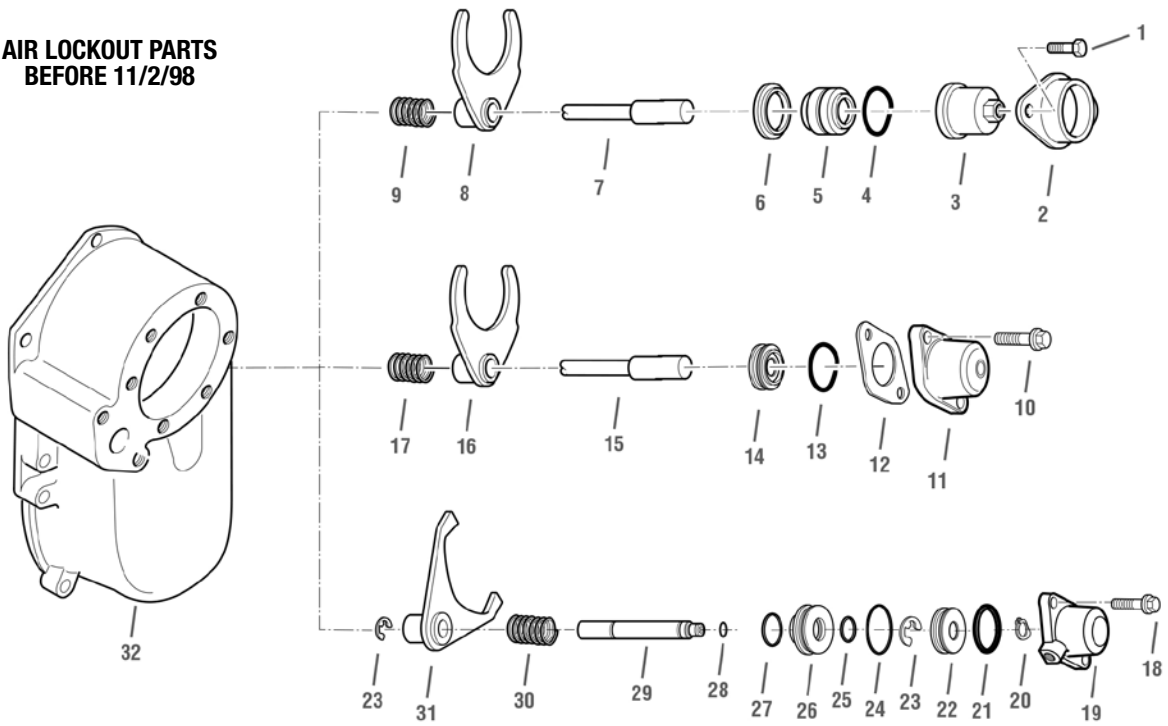
Before 11/2/1998

Item	Description	Qty	Straight Air Before 11/2/1996 (Cylindrical)	Straight Air 11/2/96 to 11/2/1998 (Cast Iron)	Navistar Rev Air	Notes
1	Capscrew	2	210381			
2	Mounting Bracket	1	NLA			Order: 507494
3	Piston Housing	1	NLA			Order: 507494
4	O-Ring	1	210180			
5	Piston	1	NLA			Order: 507494
6	Shoulder Washer	1	NLA			Order: 507494
7	Push Rod	1	127477			
8	Shift Fork Assy	1	129783			Replaces 127506
9	Compression Spring	1	127474			
10	Capscrew	2		128744		
11A	Piston Housing-Standard	1		129005		
11B	Piston Housing - GM Only	1		129004		
12	Gasket	1		128643		
13	O-Ring	1		210180		
14	Piston	1		129290		
15	Push Rod	1		129583-NLA		Replaced by 510840
16	Shift Fork Assy	1		129783		Replaces 127506
17	Compression Spring	1		129584		
18	Capscrew	1			128744	
19	Piston Housing	1			128733	
20	Snap Ring	1			128734	
21	O-Ring	1			210180	
22	Piston	1			128724	
23	Snap Ring	2			128725	
24	O-Ring	1			128728	
25	O-Ring	1			128729-NLA	
26	Pilot Plate	1			128726	
27	O-Ring	1			128727	
28	O-Ring	1			128331	
29	Push Rod	1			128730-NLA	
30	Compression Spring	1			128731	
31	Shift Fork Assy	1			129783	Replaces 127506
32	PDU Cover - Original Design	1	127605-NLA	127605-NLA	127605-NLA	

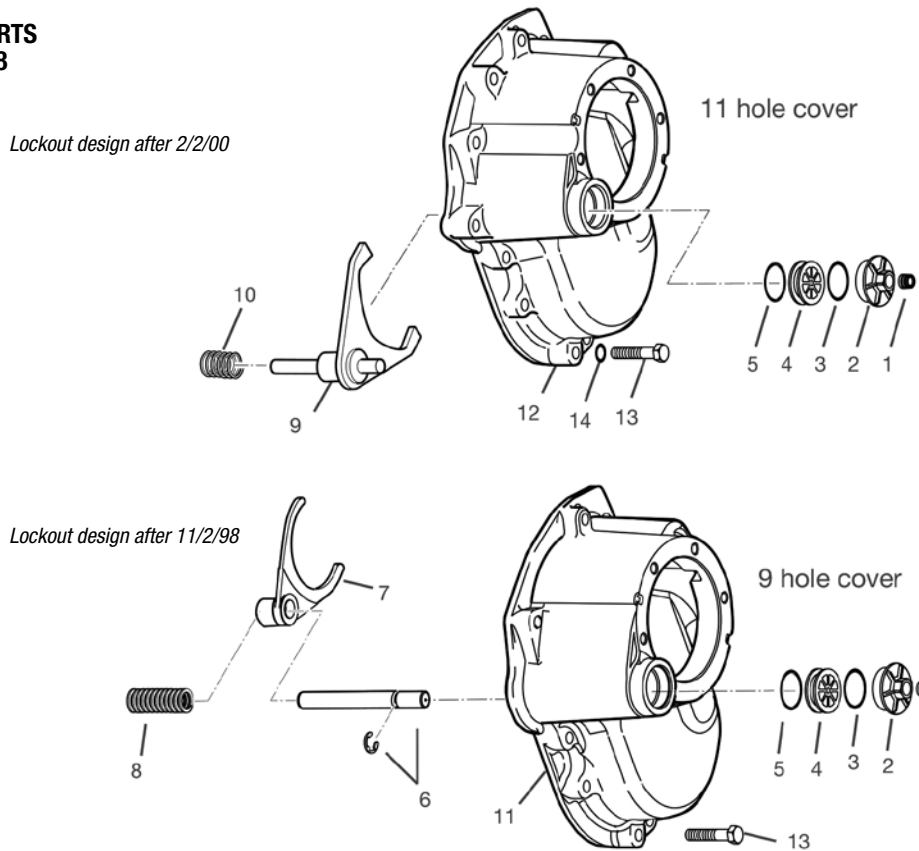
SUMMARY OF KITS AND ASSEMBLIES

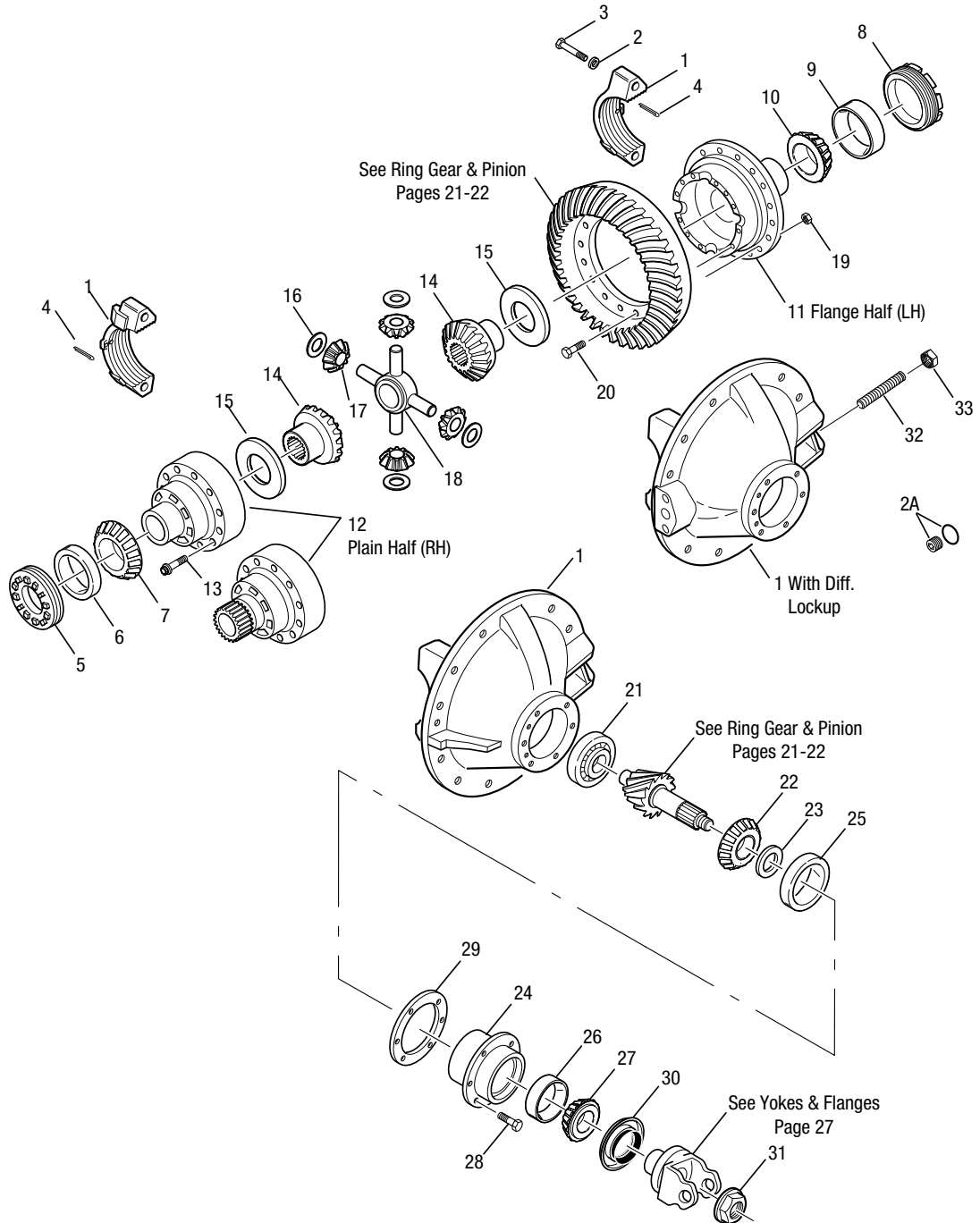
Air L/O Kit w/o Shift Fork	—	507494	—	Includes: 10, 11A, 12-14
Air L/O Kit - Complete	—	508121	—	Includes: 10, 11A, 12-17
Repair Kit	—	507709	—	Includes: 12-14
Air L/O Kit - w/o Shift Fork-NLA	—	—	216048-NLA	Includes: 18-30
Air L/O Kit - Complete - NLA	—	—	128735-NLA	Includes: 18-31

**AIR LOCKOUT PARTS  
 BEFORE 11/2/98**



**AIR LOCKOUT PARTS  
 AFTER 11/2/98**



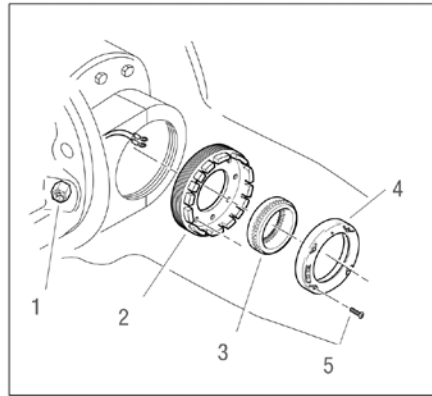


Item	Description	Qty	17060S 19060S 21060S 22060S RA344/RS344 RA404/RS404 RS404/RS405	RS454 RA454	17060D 19060D 21060D 22060D RD404 RD405 RD454	Notes
<b>BASIC OVERHAUL KIT</b>						
			216221-1	216221-1	217464-1	Replaces 216221 and 217464, Contents Identified with *; Includes oil seal; Reference HAXL-PNI-099 for more information
<b>BEARING KIT</b>						
			216248-1	216248-1	512805-1	Replaces 216248 and 512805, Contents Identified with *; Includes oil seal; Reference HAXL-PNI-099 for more information
<b>CARRIER REBUILD BEARING KIT</b>						
			504119-1	504119-1	n/a	Replaces 504119, Contents Identified with †; Reference HAXL-PNI-099 for more information
<b>1 Diff Carr &amp; Brg Caps Kit - See Chart Below</b>						
includes items 1-3, 32 & 33			<b>Model Type</b>	<b>Part #</b>	<b>Casting #</b>	<b>Notes</b>
			RS344/404/405/454	510018	129541C	replaces 216223, 131812
			RA344/404/405/454-NLA	510020-NLA	129541C	replaced 510019
			RD404/405/454	510017	128600C	replaces 217362/131828
2	Flat Washer	4	210288	210288	210288	
2a	Plug & O-Ring Assembly	1	131809	131809	131809	O-ring not sold seperately
3	Capscrew	4	134481	134481	134481	Replaces 210095
4	Cotter Pin	2	090873	090873	090873	Replaces 126156
5	Diff Brg Adjuster - Plain Half	1	134608	134608	128616	
	RA models see page 22		—	—	—	
6	Bearing Cup - Plain Half	1	134301*	134301*	—	Replaces 009803 & 129566
		1	—	—	134332*	Replaces 015092 - Diff Lock
7	Bearing Cone - Plain Half	1	134300*	134300*	—	Replaces 027813 & 129565
			—	—	134331*	Replaces 128604 - Diff Lock
8	Diff Brg Adjuster - Flange Half	1	129128	129128	129128	Replaces 127410
	RA models see page 22		—	—	—	
9	Bearing Cup - Flange Half	1	134298*	134298*	134298*	Replaces 090943 & 129564
10	Bearing Cone - Flange Half	1	134297*	134297*	134297*	Replaces 006082 & 129563
<b>WHEEL DIFF CASE KITS</b>						<b>Includes items 11-13</b>
11	Diff Case-LH (Flg Half)	1				<i>All differential case halves are now available separately. Design enhancements in the diff cases were released in 2007 — Reference Bulletin ABIB-0704 for more information.</i>
	133737 (was 129464)	1	508653	508653	508724	Ratios 2.64 to 3.08
	133738 (was 129465) see note, line 11		508654	508654	508725	Ratios 3.25 to 3.90
	133739 (was 129466) see, line note 11		508655	508655	508726	Ratios 4.11 to 4.88
	133740 (was 129467) see note, line 11		508656	508656	508727	Ratios 5.29 to 7.17
12	Diff Case-RH (Plain Half)	1	132437	132437	—	was 127498 see note, line 11
	Diff Case-RH (Plain Half)	1	—	—	128607HX	
13	Capscrew	12	127465	127465	128619	
<b>WHEEL DIFF SIDE GEAR KIT</b>						<b>Includes items 14-18</b>
	39 Inv Spline		217461	—	217461	39 Inv Spline
	41 Inv Spline		216229	216229	216229	41 Inv Spline
<b>WHEEL DIFF KIT w/o SIDE GEARS</b>						<b>Includes items 15-18</b>
14	Side Gear					
	39 Inv spline	2	127367	—	127367	
	41 Inv spline	2	127368	127368	127368	

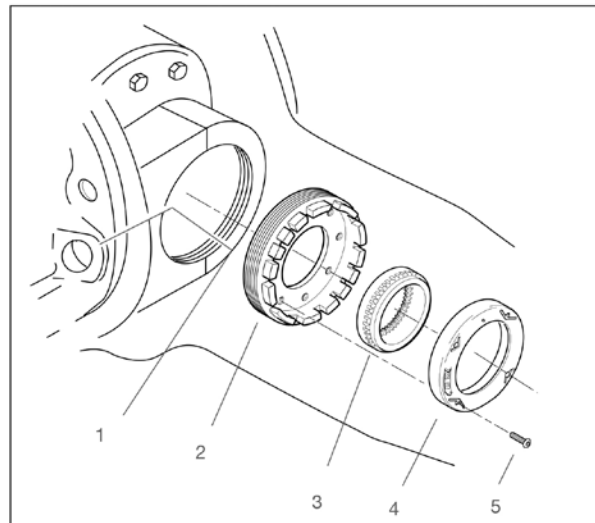
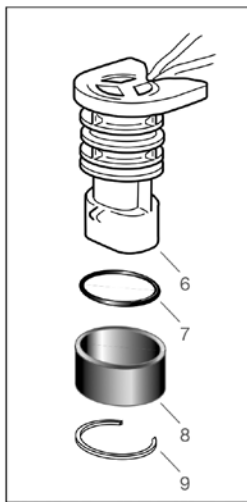
Item	Description	Qty	17060S 19060S 21060S 22060S RA344/RS344 RA404/RS404 RS404/RS405	RS454 RA454	17060D 19060D 21060D 22060D RD404 RD405 RD454	Notes
15	Side Gear Thrust Washer	2	127386*	127386*	127386*	
16	Side Pinion Thrust Washer	4	129305*	129305*	129305*	Replaces 127369
17	Side Pinion	4	133761	133761	133761	Replaces 127364
18	Diff Spider	1	127359	129599	129599	
<b>RING GEAR NUT &amp; BOLT KIT</b>			<b>508652</b>	<b>508652</b>	<b>508652</b>	<b>Includes items 19-20</b>
19	Nut	16	126216	126216	126216	
20	Bolt	16	10010020	10010020	10010020	Replaces 128806, 129686; See bulletin ABIB-9701
21	Pinion Pilot Brg	1	10038914*†	10038914*†	10038914*†	Replaces 127485
22	Pinion Brg Cone - Inner	1	134306*	134306*	134306*	Replaces 14218 & 129562
<b>23 PINION BRG SPACER KIT</b>			<b>AR 504016</b>	<b>504016</b>	<b>504016</b>	<b>Individual Pinion Bearing Spacers Listed on page 21</b>
24	Pinion Brg Cage & Cup Assy	1	134353	134353	134353	current design with 134292/134295 cups
	(includes items 24-26)		129768	129768	129768	early design with 129561/012495 cups
	Cage #129995C NSS		10003017	10003017	10003017	Parking Brake Design Replaces 129996
	Cage #127481C NSS		10002988	10002988	10002988	Standard Design, replaces 129768 & 134353
25	Pinion Brg Cup - Inner	1	134292*	134292*	134292*	Replaces 129561
26	Pinion Brg Cup - Outer	1	134295*	134295*	134295*	Replaces 012495
27	Pinion Brg Cone - Outer	1	134308*	134308*	134308*	Replaces 012496
28	Capscrew	6	210115	210115	210115	
<b>OIL SEAL &amp; SHIM KIT</b>			<b>216225-1</b>	<b>216225-1</b>	<b>216225-1</b>	<b>Includes items 29-30, 34; Replaces 216225; Reference HAXL-PNI-099 for more information</b>
<b>PINION CAGE SHIM KIT</b>			<b>504032</b>	<b>504032</b>	<b>504032</b>	<b>Includes 5 each of shims below</b>
29	Shim.003"	AR	127595*	127595*	127595*	
	Shim.005"		127596*	127596*	127596*	
	Shim.010"		127597*	127597*	127597*	
	Shim.020"		127598*	127598*	127598*	
	Shim.030"		127599*	127599*	127599*	
30	Oil Seal	1	2019185*†	2019185*†	2019185*†	Replaces 127591; Reference HAXL-PNI-099 for more information
31	Pinion Nut	1	127589	127589	127589	M36 x 1.5
32	Thrust Screw	1	126193	126193	126193	
33	Jam Nut	1	210184	210184	210184	
34	RTV - Sealant 3oz	1	107276S*	107276S*	107276S*	Not Illustrated

NSS - Not Sold Separately

**IN AXLE SPEED SENSOR  
BEFORE 11/2/98**



**IN AXLE SPEED SENSOR  
AFTER 11/2/98**



*NOTE: Sensor connector installed up through carrier hole, reference bulletin ABIB-9901.*

Item	Description	Qty	DA344 DA404-(P) DA405-(P) DA454-P (Before 11-2-98)	RA344 RA404 RA405 RA454 (Before 11-2-98)	DA344 DA404-(P) RA405-(P) DA454-P (After 11-2-98)	RA344 RA404 RA405 RA454 (After 11-2-98)	Notes
1	Sensor Connector	2	128713	128713	—	—	See Note below
2	Diff Bearing Adjusters						
	Plain Half - 344 series	1	129056-NLA	129056-NLA	129056-NLA	129056-NLA	See Note below
	Flange Half - 344 series	1	129055-NLA	129055-NLA	129055-NLA	129055-NLA	See Note below
	Plain Half - 404/405/454	1	128429-NLA	128429-NLA	128429-NLA	128429-NLA	See Note below
	Flange Half - 404/405/454	1	128428-NLA	128428-NLA	128428-NLA	128428-NLA	See Note below
3	Rotor Assembly						
	41 spline	2	128081-NLA	128081-NLA	128081-NLA	128081-NLA	All models except D/R344
	39 spline	2	128993-NLA	128993-NLA	128993-NLA	128993-NLA	D/R344 models only
4	Sensor Assembly	2	128082-NLA	128082-NLA	128082-NLA	128082-NLA	See Note below
5	Fasteners	4	128074-NLA	128074-NLA	128074-NLA	128074-NLA	See Note below
6	Sensor Connector Assy	2	—	—	129061-NLA	129061-NLA	Includes Item 7 - see note below
7	O-ring	2	—	—	14033-NLA	14033-NLA	See Note below
8	Bushing Sleeve	2	—	—	129059-NLA	129059-NLA	See Note below
9	Snap Ring	2	—	—	129057-NLA	129057-NLA	See Note below

*NOTE Many IAASS model parts are no longer manufactured. Stock availability of individual items are limited. If key components for these models are not available, retrofitting the vehicle and ABS systems to more conventional system set up will be required. Consult your OEM for engineering help.*



Item	Description	Qty	Part No.	Notes
1	Axle Shaft	2	Axle Shaft Chart page 29	
<b>KIT-SPINDLE NUT 4 PIECE</b>		<b>1</b>	<b>504158</b>	<b>Includes 1 each of items 2-5</b>
2	Outer Bearing Adjuster Nut	2	119881	See Note 2
3	Lockwasher - w/Tab	2	129132	
4	Dowel-Type Lockwasher	2	119883	
5	Inner Bearing Adjuster Nut	2	119882	
6	Axle Housing Assy	1	Note: See page 31	Reference your OEM Catalog
<b>7 KIT-U-TUBE BREATHER</b>		<b>1</b>	<b>507162</b>	<b>Contains items: 129340 &amp; 302706</b>
8	Magnetic Drain Plug - 3/4"	1	054254	All D/R models; Effective May 2018, drain hole plug was removed in housing designs. <i>Reference HAXL-PNI-100 for more information.</i>
9	Stud - Carrier to Hsg	AR	127641	Varies by application & model see pg 18
10	Washer - Carrier to Hsg	AR	130877	Varies by application & model see pg 18
10A	Washer - Carrier to Hsg	AR	029804	Varies by application & model see pg 18
11	Nut - Carrier to Hsg	AR	127567	Varies by application & model see pg 18
12	Capscrew - Long	AR	130837	Varies by application & model see pg 18
12A	Capscrew - Long	AR	130836	Varies by application & model see pg 18
<b>13 Axle Hsg Cover Kit</b>		<b>1</b>	<b>217519-NLA</b>	<b>Includes 13, 15-16, 23-29</b>
Cover casting #127486C NSS				Replaces 129490/127487/129489/129037
Refer to note 13 below				Reference Bulletin ABIB-9709
14	Capscrew - Hsg Cover to Hsg	8	210135	M12 x 1.75
15	Magnetic Plug - 1"	1	075130	Reference Bulletin ABIB-9709
15	Non-Magnetic Plug 3/4"	1	129492	Reference Bulletin ABIB-9709
15	Magnetic Plug - 3/4"	1	129491	Reference Bulletin ABIB-9709
16	Temperature Sensor Plug 1/2"	1	090898	
17	Lube Tag (for 3/4" Plug)	1	129486	Reference Bulletin ABIB-9709, Part - Not Illustrated
17	Lube Tag (for 1" Plug)	1	128288	Reference Bulletin ABIB-9709, Part - Not Illustrated
18	Nut - Hsg Cover to Hsg	4	127569	All Forward Axles
19	Lockwasher - Hsg Cover to Hsg	4	210140	All Forward Axles
20	Stud - Hsg Cover	4	127568	All Forward Axles
21	Dowel Pin - Hsg Cover	1	007641	All Forward Axles
<b>OUTPUT SHAFT KIT</b>		<b>1</b>	<b>216227</b>	<b>Includes Items 22-23</b>
22 Output Shaft - #127646 NSS				
23	Locknut - Hex	1	127588	M39 x 1.5 (55mm socket)
24	Oil Seal	1	2022740*†	Replaces 127592; <i>Reference HAXL-PNI-099 for more information.</i>
25	Snap Ring .103"	1	129594*†	Replaces 127538, 127537
26	Bearing Cup	2	127539*†	
27	Bearing Cone	2	127540*†	
28	Seal Driver	1	126917	In Kit 217414
29	Adapter	1	128706HX	In Kit 217414
30	Loctite Adhesive	1	129293	Not Illustrated, .5 ml Tube
31	RTV - Sealant	1	107276S*	Not Illustrated, 3 oz. Tube

NSS - Not Sold Separately

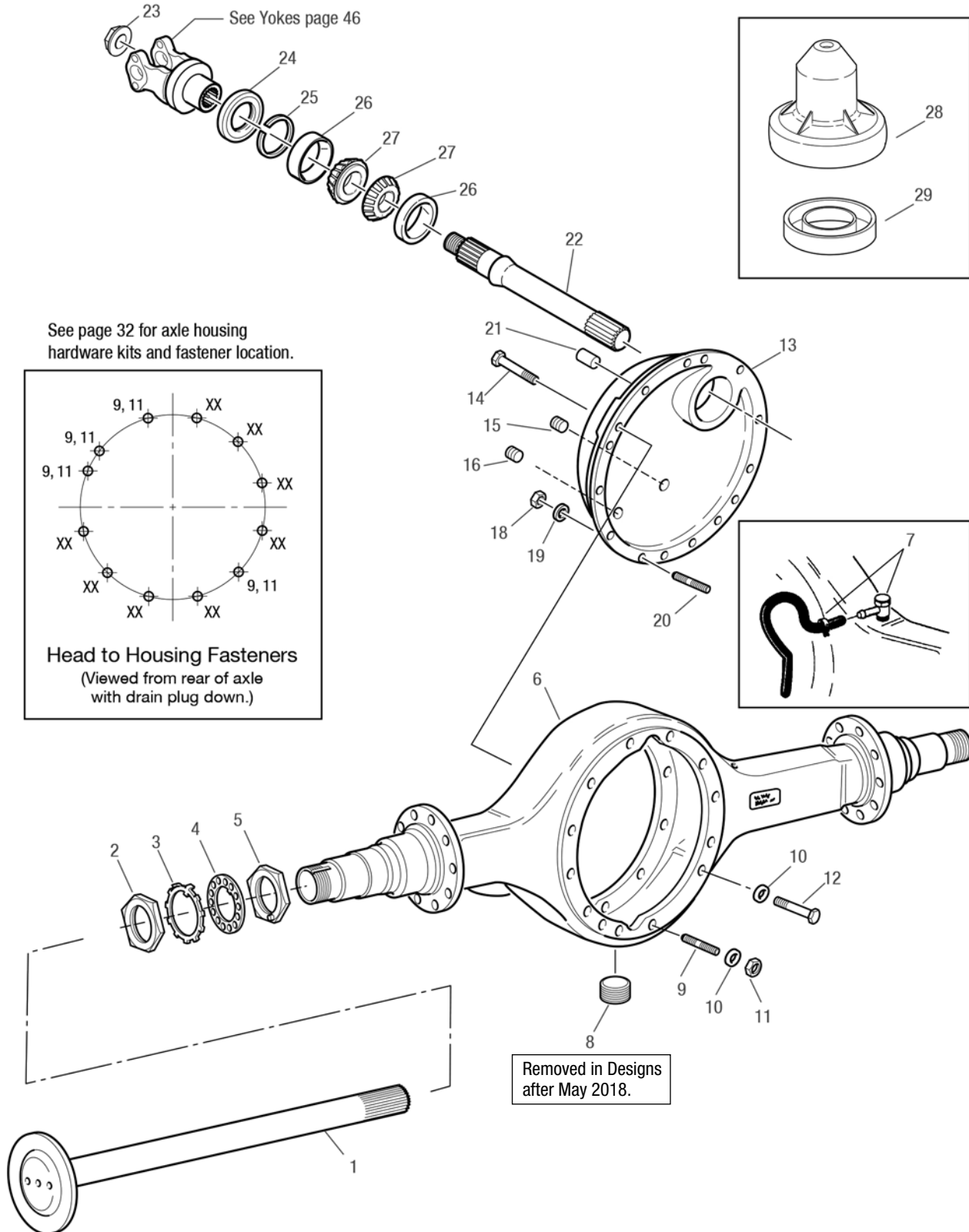
\* included in basic overhaul kit

† included in bearing kit

NOTE 2: All 404/405/454 models except 344. Use part #19186, 30714 for D/R344 series.

NOTE 13: In the 4th qtr of 1998 a design change was made to the FORWARD axle housings in the 404 family axles. The axle housing rear cover is no longer a bolt on cover but is a welded assembly. The bolt up cover are no longer manufactured or offered by Dana.

**OUTPUT SHAFTS AND AXLE HOUSINGS**



Beginning June 3rd, 2002, the nominal thickness of the carrier to housing flange was increased in the DSP40/DSH40/DSH44 Forward & Rear-Rear family of carriers. This change required the use of new fastener parts. A new (45mm) capscrew (Part # 130836) was released as it replaced both 210173 and 130158 old design capscrews. Additionally, a much thicker boss was added to the flange at the 12 & 6 o'clock positions. These new, thicker flange boss carriers require an even longer (70mm) capscrew (Part #130837). A thicker and larger diameter flat washer (Part #130877) was also released as part of this upgrade. The 130877 washer replaces washer 029804. The existing stud (Part #127641) and nut (Part #127567) were not affected by these changes and continue to be used.

### SERVICE CARRIER NOTE:

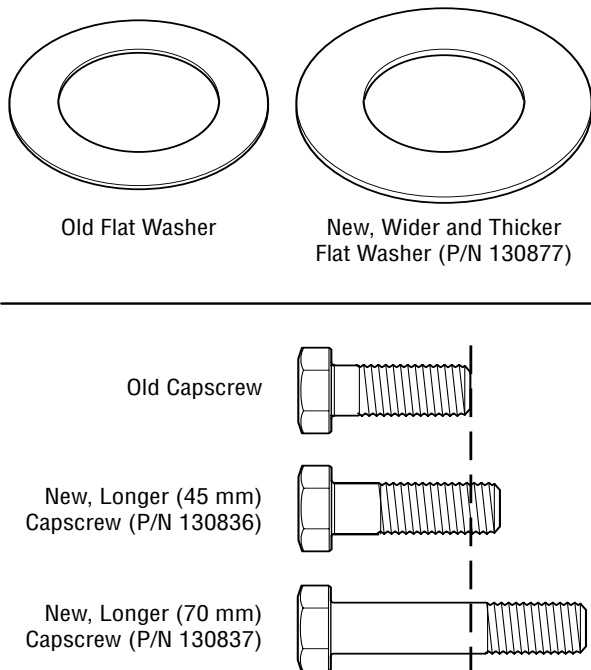
Both "thin" flange and "thick" flange design carriers are still used by various OEM's. If you have a vehicle that was originally equipped with a Dana carrier built with the "Thin Flange" carrier design, it can be universally serviced with a current (Thick Flange) Carrier Assembly. The repairing dealer must simply make sure to use the correct axle housing fasteners/hardware parts when re-installation of the replacement carrier is done. Differentials with "THICK FLANGE" carriers use axle housing hardware kit (Part # 512087)

- Differential Carriers with "THICK FLANGE" carrier use axle housing hardware kit (part #512087)
- Differential Carriers with "THIN FLANGE" carrier use axle housing hardware kit (part #511600)
- GM Vehicles use double-ended capscrews at the housing fastener location. The hardware kits above can be used, but the unique capscrew must be purchased individually.

## New Axle Housing Fasteners

### IMPORTANT!

Dana does not recommend the mixing of various designs carrier-to housing capscrews on the same assembly. Whether mixing or not, torques must be measured using a calibrated torque wrench. Failure to re-torque bolts and nuts to proper specifications may lead to carrier to housing leaks and possible component damage.



## Axle Housing Fasteners

On June 3, 2002 the D/R404 family models were upgraded to the new "Thick Flange" carrier design as fully detailed in Dana bulletin AXIP-0210r1. Shown below are the axle housing hardware kits and fastener locations for both variations. View fastener locations as if installing differential into the axle housing.

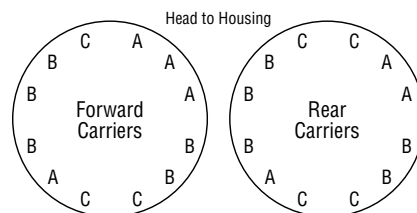
*NOTE: GM Vehicles use double-ended capscrews at the housing fastener location. The hardware kits above can be used, but the unique capscrew must be purchased individually.*

512087 Hardware Kit (Thick Flange)		
Part #	Qty.	Description
107276S	1	RTV Sealant 3 oz. Tube
127567	4	Nut
127641	4	Stud
129293	1	Loctite 271 0.5 ml Tube
130836	8	Capscrew (45 mm) - Short
130837	4	Capscrew (70 mm) - Long
130877	12	Washer
shais136	1	Instruction Sheet - Thick Flange

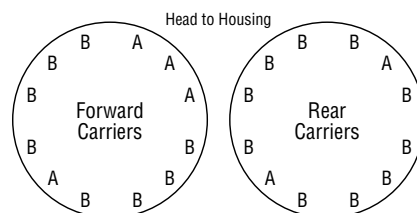
511600 Hardware Kit		
Part #	Qty.	Description
107276S	1	RTV Sealant 3 oz. Tube
127567	4	Nut
127641	4	Stud
129293	1	Loctite 271 0.5 ml Tube
130836	10	Capscrew (was 130158)
130877	12	Washer (was 029804)
shais131	1	Instruction Sheet

514260 Hardware Kit (23060SH models)		
Part #	Qty.	Description
054254	1	Plug - Drain 3/4"
129491	1	Plug - Magnetic 3/4"
130836	8	Capscrew (45 mm) - Short
130837	4	Capscrew (70 mm) - Long
130877	12	Washer
107276S	1	RTV Sealant 3 oz. Tube
shais172	1	Instruction Sheet

### Thick Flange – After 6/3/02



### Original Design Flange – Before 6/3/02\*



A – 127641 Studs & 127567 Nuts  
 B – 130836 Capscrews – Short (45 mm)  
 C – 130837 Capscrews – Long (70 mm)  
 D – 130877 Flat Washers – All Locations

## Casting & Service Parts Cross-Reference Listing

Below are two helpful cross-reference charts. Chart-A shows “casting” numbers that can quickly identify the old design parts versus the new design parts. Chart-B is a “service parts” cross-reference listing. The part numbers in this chart are sorted by part type; refer to the “New Part Description” column.

Chart A: Part Number Cross-Reference - Casting Numbers			
New Casting Part #	Old Casting Part #	Description	Model
130809	129539, 129540	Diff. Carrier Casting	DA344, 404, 405, 454, DS344, 404, 405, 454
130814	129550	Diff. Carrier Casting	DD404, DD404P, DD454, DD454P
130819	129551	Diff. Carrier Casting	DA404P, 405P, 454P, DS404P, 405P, 454P
130822	129571	PDU Cover Casting	All "D" Forward Carriers - 11 hole
130824	129351C, 129541	Diff. Carrier Casting	RA344, 404, 405, 454, RS344, 404, 405, 454
130827	128600	Diff. Carrier Casting	RD404, RD454

Chart B: Part Number Cross-Reference - Service Parts			
Current Service Part #	Replaces Old Service Part #	New Part Description	Notes
511600	None	Axle Hsg hardware Kit - Thin Flange Models	Use only in Models with Thin Flange Carrier Design
512087	None	Axle Hsg hardware Kit - Thick Flange Models	Use only in Models with Thick Flange Carrier Design
130836	130158, 210173	Capscrew - 45 mm	Use in All Models (New & Old Design)
130837	None	Capscrew - 70 mm	Use only in Models with Thick Flange Carrier Design
130158	NLA	Capscrew - 40 mm	Replaced by 130836 Capscrew
210173	NLA	Capscrew - 40 mm	Replaced by 130836 Capscrew
130877	29804	Flat Washer	Use in All Models (New & Old Design)
029804	None	Flat Washer	Was used in various brake assemblies
130823		PDU Cover - 11 hole	All "D" Forward Carriers (new cover uses 11 capscrews)
129572	NLA	PDU Cover - 9 hole	Replaced in production by 130823 PDU Cover
510023	NLA	Carrier & Cap Kit DS344, 404, 405, 454	See note below
510024	NLA	Carrier & Cap Kit DS404P, 405P, 454P	See note below
510027	NLA	Carrier & Cap Kit DD404, 405, 454	See note below
510028	NLA	Carrier & Cap Kit DD404P, 405P, 454P	See note below
510017		Carrier & Cap Kit RD404, 405, 454	
510018		Carrier & Cap Kit RS344, 404, 405, 454	

*NOTE: All Original design “Forward” Carrier & Cap kits (made BEFORE JUNE 2008) are no longer available through Dana. Only New design carrier/cap kits are available and they are not interchangeable. Reference Dana Bulletin ABIB-0801 for more detailed information.*

## Axle Shafts - All Models

Dana Spicer 404 series axle shafts are used in “sets,” have unequal shaft lengths and may be “location specific” or “Wheel Equipment specific.” When replacing 404 axle shafts, locate the axle shaft part number (see Model Identification page 4) or select the correct axle shaft from the chart below, before placing your order.

**DO NOT MISPLACE AXLE SHAFTS FROM THEIR INTENDED LOCATION.**

NOTE: STR - Straight, TPR - Tapered

### AXLE SHAFTS - SINGLE REDUCTION MODELS

Model	Part #	Qty	Spline	Body O.D.	Shaft Length	Spline Length	Flange O.D.	Flange Holes	OEM
17060S, 19060S, RS344	129010	1	39	1.81	38.500	4"	6.223	12 (.781) TPR	2
	129479	1	39	1.81	42.750	4"	6.223	12 (.781) TPR	2
	130911	1	39	1.81	42.875	4"	6.625	8 (.635) STR	10
	130912	1	39	1.81	38.688	4"	6.625	8 (.635) STR	10
	127437	1	41	1.87	38.976	4"	8.500	8 (.635) STR	3, 5, 6
DS404	127438	1	41	1.87	43.307	4"	8.500	8 (.635) STR	3, 5, 6
RS404	128514	1	41	1.87	38.130	4"	8.500	8 (.773) STR	7, 10
DS454	128515	1	41	1.87	42.460	4"	8.500	8 (.773) STR	7, 10
RS454	128516	1	41	1.87	38.976	4"	8.500	8 (.948) TPR	2, 4, 7, 9
	128517HX	1	41	1.87	43.307	4"	8.500	8 (.948) TPR	2, 4, 7, 9
	128521HX	1	41	1.87	38.130	4"	8.500	8 (.948) TPR	1
	128522HX	1	41	1.87	42.460	4"	8.500	8 (.948) TPR	1

- |                  |                  |
|------------------|------------------|
| 1 = Ford         | 6 = Kenworth     |
| 2 = GMC          | 7 = Volvo White  |
| 3 = Freightliner | 8 = Marmon       |
| 4 = Mack         | 9 = Western Star |
| 5 = Peterbilt    | 10 = Navistar    |

### AXLE SHAFTS - DIFF LOCK MODELS

Model	Part #	Qty	Spline	Body O.D.	Shaft Length	Spline Length	Flange O.D.	Flange Holes	OEM
17060D, 19060D, RD344	132872	1	39	1.81	38.500	4"	6.625	8 (.635) STR	10
	132878	1	39	1.87	42.750	11"	6.625	8 (.635) STR	10
	129439	1	39	1.81	38.500	4"	6.223	12 (.566) STR	6
	133659	1	39	1.87	42.750	11"	6.223	12 (.566) STR	6
	127437	1	41	1.87	38.976	4"	8.5	8 (.635) STR	3, 5, 6
	128435	1	41	1.87	43.307	11"	8.5	8 (.635) STR	3, 5, 6
DD404	128514	1	41	1.87	38.130	4"	8.5	8 (.773) STR	7, 10
RD404	128559	1	41	1.87	42.460	11"	8.5	8 (.773) STR	7, 10
DD454	128516HX	1	41	1.87	38.976	4"	8.5	8 (.948) TPR	2, 4, 7, 9
RD454	128561HX	1	41	1.87	43.307	11"	8.5	8 (.948) TPR	2, 4, 7, 9
	128521HX	1	41	1.87	38.130	4"	8.5	8 (.948) TPR	1, 3
	128563	1	41	1.87	42.460	11"	8.5	8 (.948) TPR	1, 3

- |                  |                  |
|------------------|------------------|
| 1 = Ford         | 6 = Kenworth     |
| 2 = GMC          | 7 = Volvo White  |
| 3 = Freightliner | 8 = Marmon       |
| 4 = Mack         | 9 = Western Star |
| 5 = Peterbilt    | 10 = Navistar    |

## Axle Shafts - All Models, continued

Dana Spicer 404 series axle shafts are used in "sets," have unequal shaft lengths and may be "location specific" or "Wheel Equipment specific." When replacing 404 axle shafts, locate the axle shaft part number (see Model Identification page 4) or select the correct axle shaft from the chart below, before placing your order.

**DO NOT MISPLACE AXLE SHAFTS FROM THEIR INTENDED LOCATION.**

NOTE: STR - Straight, TPR - Tapered

### AXLE SHAFTS - MODELS HAVING IAASS (IN AXLE SPEED SENSORS) FOR ABS

Model	Part #	Qty	Spline	Body O.D.	Shaft Length	Spline Length	Flange O.D.	Flange Holes	OEM
RA344	129052-nla	1	39	1.81	38.500	11"	6.125	12 (.748)TPR	2
	129053	1	39	1.87	42.750	11"	6.223	12 (.781)TPR	2
	128434-NLA	1	41	1.87	38.976	11"	8.5	8 (.635) STR	3, 5, 6
DA404	128435	1	41	1.87	43.307	11"	8.5	8 (.635) STR	3, 5, 6
RA404	128558	1	41	1.87	38.130	11"	8.5	8 (.773) STR	7, 10
DA454	128559	1	41	1.87	42.460	11"	8.5	8 (.773) STR	7, 10
RA454	128560	1	41	1.87	38.976	11"	8.5	8 (.948) TPR	2, 4, 7, 9
	128561	1	41	1.87	43.307	11"	8.5	8 (.948) TPR	2, 4, 7, 9
	128562-NLA	1	41	1.87	38.130	11"	8.5	8 (.948) TPR	1
	128563	1	41	1.87	42.460	11"	8.5	8 (.948) TPR	1

1 = Ford	6 = Kenworth
2 = GMC	7 = Volvo White
3 = Freightliner	8 = Marmon
4 = Mack	9 = Western Star
5 = Peterbilt	10 = Navistar

### AXLE SHAFTS - WIDE TRACK MODELS

Model	Part #	Qty	Spline	Body O.D.	Shaft Length	Spline Length	Flange O.D.	Flange Holes	OEM
	129388	1	41	1.87	43.887	4"	8.5	8 (.773) STR	7
DS404	129434-NLA	1	41	1.87	38.976	4"	8.5	8 (.773) STR	7
RS404	129306	1	41	1.87	45.500	4"	8.5	8 (.635) STR	9
DS454	128243	1	41	1.87	40.630	4"	8.5	8 (.635) STR	9
RS454	128914-NLA	1	41	1.87	45.500	4"	8.5	8 (.773) STR	7
	128912	1	41	1.87	41.313	4"	8.5	8 (.773) STR	7
	128910	1	41	1.87	42.460	4"	8.5	8 (.635) STR	5
	126684	1	41	1.87	46.156	4"	8.5	8 (.635) STR	5
DD454	128910	1	41	1.87	42.460	4"	8.5	8 (.635) STR	6
RD454	128504	1	41	1.87	46.156	11"	8.5	8 (.635) STR	6

1 = Ford	6 = Kenworth
2 = GMC	7 = Volvo White
3 = Freightliner	8 = Marmon
4 = Mack	9 = Western Star
5 = Peterbilt	10 = Navistar

## D - Forward Axles

**DS344, DL344, DS404, DS405, DS454, DD404, DD405, DD454**  
**15.4"-15.7" HYPOID**  
**PINION NUT PART #126182**

Ratios	Spicer Kit	Mated Gear/Pinion Set 3-axis		Mated Gear/Pinion Set 2-axis		Tooth Combo	Ring Gear Size (inches)	Set Part #
		Gear (NSS)	Pinion (NSS)	Gear (NSS)	Pinion (NSS)			
2.64	211462	134020	134021	127387 (37)	127439 (14)	37/14	14.90	211428
2.85	211463	NA	NA	127388 (37)	127440 (13)	37/13	15.40	211429
2.93	509423	134194	134198	129532 (41)	129531 (14)	41/14	15.40	509421
3.08	513386	134182	134181	127388 (37)	129716 (12)	37/12	15.40	511272
3.25	513385	134066	134067	127389 (39)	130120 (12)	39/12	15.40	511273
3.36	513384	132234	132304	127388 (37)	130121 (11)	37/11	15.40	132292
3.42	504056	134327	134328	134327 (41)	134328 (12)	41/12	15.40	134330
3.55	513383	132236	132305	127389 (39)	130122 (11)	39/11	15.40	132268
3.70	513382	132238	132207	127388 (37)	130123 (10)	37/10	15.40	132270
3.90	513381	132240	132209	127389 (39)	130124 (10)	39/10	15.40	132272
4.11	513380	132242	132211	127388 (37)	130125 (9)	37/9	15.40	132274
4.33	513379	134056	134057	130201 (39)	130126 (9)	39/9	15.40	511279
4.63	513378	134005	134002	130196 (37)	129733 (8)	37/8	15.65	511280
4.88	513377	132248	132217	130197 (39)	129735 (8)	39/8	15.65	511281
5.29	513376	134006	134003	130196 (37)	129816 (7)	37/7	15.65	511282
5.57	513375	134007	134004	130197 (39)	129820 (7)	39/7	15.65	511283
6.17	513374	134016	134018	127390 (37)	129843 (6)	37/6	15.65	511284
6.50	511571	134017	134019	129736 (39)	127454 (6)	39/6	15.65	511553
7.17	511572	NA	NA	130178 (43)	130177 (6)	43/6	15.65	511554

NSS – Not Sold Separately

NOTE: In mid-2004, the original design gearing kits were replaced by new gearing that contain design enhancements. In some cases when changing ratios or using new design gearing kits to replace original gearing, a differential flange half case change may be required. All flange half differential cases are now available through Dana as individual components.

## R - Rear Axle - Standard Applications

**RS/RD344, 404, 405, 454, 17060, 19060, 21060, 22060S/D/L**  
**15.4"-15.7" HYPOID**  
**SPLINE: 39-1.95" INVOLUTE**  
**PINION NUT PART #127589**

Ratios	Spicer Kit	Mated Gear/Pinion Set 3-axis		Mated Gear/Pinion Set 2-axis		Tooth Combo	Ring Gear Size (Inches)	Set Part #
		Gear (NSS)	Pinion (NSS)	Gear (NSS)	Pinion (NSS)			
2.64	211478	134022	134023	127380 (37)	127420 (14)	37/14	14.90	211444
2.85	211479	NA	NA	127381 (37)	127421 (10)	37/10	15.40	211445
2.93	509424	NA	NA	129534 (41)	129533 (14)	41/14	15.40	509422
3.08	513373	132115	132072	127381 (37)	129737 (12)	37/12	15.40	132150
3.25	513372	134068	134069	127382 (39)	130127 (12)	39/12	15.40	511286
3.36	513371	132119	132076	127381 (37)	130128 (11)	37/11	15.40	132155
3.42	504055	134325	134326	NA	NA	41/12	15.40	134329
3.55	513370	132121	132080	127382 (39)	130129 (11)	39/11	15.40	132159
3.70	513369	132123	132083	127381 (37)	130130 (10)	37/10	15.40	132162
3.90	513368	132125	132086	127382 (39)	130131 (10)	39/10	15.40	132165
4.11	513367	132127	132089	127381 (37)	130132 (9)	37/9	15.40	132168
4.33	513366	132130	132094	130200 (39)	129445 (9)	39/9	15.40	132173
4.63	513365	132132	132097	130194 (37)	129748 (8)	37/8	15.65	132176
4.88	513364	132135	132101	130195 (39)	129750 (8)	39/8	15.65	132181
5.29	513363	132137	132104	130194 (37)	129818 (7)	37/7	15.65	132185
5.57	513362	132139	132107	130195 (39)	129822 (7)	39/7	15.65	132189
6.17	513361	132141	132109	127383 (37)	129844 (6)	37/6	15.65	132192
6.50	211493	132143	132110	127384 (39)	127435 (6)	39/6	15.65	132194
7.17	211494	132145	132111	132145	132111	43/6	15.65	132196

NSS – Not Sold Separately

*NOTE: In mid-2004, the original design gearing kits were replaced by new gearing that contain design enhancements. In some cases when changing ratios or using new design gearing kits to replace original gearing, a differential flange half case change may be required. All flange half differential cases are now available through Dana as individual components.*

Dana offers new highly developed Gen-Tech™ quiet gearing for single axle applications that require low noise resolution while maintaining the same high strength quality that Spicer® genuine gearing is known for. This gearing like all Spicer gearing is developed and machined in sets and specified by many customers in medium duty applications. Never mix gears and pinions from different sets within an axle. Shortened gearing life, noise and failure may occur. When replacing gearing check the drive pinion and ring gear numbers to the charts below to get the correct replacement service kit.

## R - Rear Single Axle - Gen-Tech™ Quiet Gearing Applications

**17060, 19060, 21060, 22060S/D/L BC**  
**15.4" HYPOID**  
**39-1.95" INV SPLINE**  
**PINION NUT PART #127589**

Ratio	Spicer Kit	Current Gear (NSS)	Current Pinion (NSS)	Set Part #
4.30	508401	129449 (43)	129450 (10)	508398
4.33	508366	129740 (39)	132455 (9)	132454
4.63	504012	132132 (37)	132314 (8)	132177
4.78	508402	129449 (43)	129451 (9)	133965
4.88	508368	132135 (39)	132100 (8)	132180
5.29	508367	132137 (37)	132103 (7)	132184
5.57	511576	132139 (39)	132106 (7)	132188
6.17	504013	132141 (37)	132311 (6)	132193
6.50	504010	127384 (39)	132997 (6)	133641
7.17	514337	127385 (43)	132998 (6)	133642

*NSS – Not Sold Separately*

*Note: Dana Spicer® Gen-Tech™ gearing is uniquely designed for single axle applications that specify quiet gearing. The use of replacement standard gearing in these applications or the use of any gearing in Dana carriers not manufactured by Dana could lead to noise complaints or failures and are not warranted by Dana.*



**19060S - STANDARD CARRIER**

Spline: 39 Involute  
 Gearing: 15.50" Hypoid  
 Side Gear Part Number: 127367  
 Fastener Kit: 511600

*These new carrier units will directly replace single axle models 17060S, 17060S PB, 19060S, 19060S PB and tandem axle model RS344 with no modifications. Model on ID tag may be RS344.*

Ratio	New Carrier Exchange	New Carrier Core Free	Old Carrier Part - NLA
2.85	N/a	N/a	N/a
3.08	RS344308EX	RS344308CF	675914
3.25	19060S325EX	19060S325CF	681435
3.36	RS344336EX	RS344336CF	675565
3.55	RS344355EX	RS344355CF	675566
3.70	RS344370EX	RS344370CF	675623
3.90	RS344390EX	RS344390CF	675564
4.11	RS344411EX	RS344411CF	675414
4.33	RS344433EX	RS344433CF	675415
4.63	RS344463EX	RS344463CF	675416
4.88	RS344488EX	RS344488CF	675417
5.29	RS344529EX	RS344529CF	675418
5.57	RS344557EX	RS344557CF	675419
6.17	RS344617EX	RS344617CF	675420
6.50	RS344650EX	RS344650CF	675421
7.17	RS344717EX	RS344717CF	675422

*NOTE: The service carriers listed above have a thin flange design. Use axle housing hardware kit 511600.*

*NOTE 1: In certain Navistar vehicle applications, original Dana production carriers are identified as 21060S, 21060L, 21060T and 21060D. These carriers are built with 39 Involute spline side gears. Carriers with 39 Involute spline side gears are sold as 19060S, 19060L, 19060T and 19060D. **Be sure to check spline configuration before ordering replacement carriers.***

**19060S BC - GENTECH™ - QUIET GEARING**

Spline: 39 Involute  
 Gearing: 15.50" Hypoid  
 Side Gear Part Number: 127367  
 Fastener Kit: 511600

*These new carrier units will directly replace single axle models 17060S BC and 19060S BC with no modifications. Model on ID tag may be RS344. These carriers are specifically designed for noise sensitive applications. When choosing replacements of these carriers, be sure to consult the OEM or verify the actual part numbers from the serial tag before ordering carriers. For ratios or options not shown, call Dana for availability.*

Ratio	New Carrier Exchange	New Carrier Core Free	Old Carrier Part - NLA
4.30	19060SBC430EX	19060SBC430CF	681406
4.78	19060SBC478EX	19060SBC478CF	681351
4.88	19060SBC488EX	19060SBC488CF	681562
5.29	19060SBC529EX	19060SBC529CF	681357
5.57	19060SBC557EX	19060SBC557CF	681400
6.17	19060SBC617EX	19060SBC617CF	681401
6.50	19060SBC650EX	19060SBC650CF	681402
7.17	19060SBC717EX	19060SBC717CF	681403

*NOTE: The service carriers listed above have a thin flange design. Use axle housing hardware kit 511600.*

*NOTE 1: In certain Navistar vehicle applications, original Dana Production Carriers are identified as 21060S, 21060L, 21060T and 21060D. These carriers are built with 39 Involute spline side gears. Carriers with 39 Involute spline side gears are sold as 19060S, 19060BC, 19060L, 19060T and 19060D. **Be sure to check spline configuration before ordering replacement carriers.***

**19060S W/ PARKING BRAKE OPTION**

Spline: 39 Involute  
 Gearing: 15.50" Hypoid  
 Side Gear Part Number: 127367  
 Fastener Kit: 511600

*These new carrier units will directly replace single axle models 17060S, 17060S PB, 19060S, 19060S PB and tandem axle model RS344 with no modifications. Model on ID tag may be RS344.*

Ratio	New Carrier Exchange	New Carrier Core Free	Old Carrier Part - NLA
2.85	19060SR285EX	19060SR285CF	675930
3.08	19060SR308EX	19060SR308CF	675932
3.25	19060SR325EX	19060SR325CF	675933
3.36	19060SR336EX	19060SR336CF	675934
3.55	19060SR355EX	19060SR355CF	675935
3.70	19060SR370EX	19060SR370CF	675936
3.90	19060SR390EX	19060SR390CF	675937
4.11	19060SR411EX	19060SR411CF	675938
4.33	19060SR433EX	19060SR433CF	675939
4.63	19060SR463EX	19060SR463CF	675940
4.88	19060SR488EX	19060SR488CF	675941
5.29	19060SRBC529EX†	19060SRBC529CF†	675942†
5.57	19060SRBC557EX†	19060SRBC557CF†	675943†
6.17	19060SRBC617EX†	19060SRBC617CF†	675944†
6.50	19060SRBC650EX†	19060SRBC650CF†	675945†
7.17	19060SRBC717EX†	19060SRBC717CF†	675946†

*NOTE: The service carriers listed above have a thin flange design. Use axle housing hardware kit 511600.*

† These Carriers also contain GenTech™ BC-Quiet Gearing.  
*NOTE 1: In certain Navistar vehicle applications, original Dana production carriers are identified as 21060S, 21060L, 21060T and 21060D. These carriers are built with 39 Involute spline side gears. Carriers with 39 Involute spline side gears are sold as 19060S, 19060L, 19060T and 19060D. **Be sure to check spline configuration before ordering replacement carriers.***

**19060S BC - GENTECH™ - QUIET GEARING W/ PARKING BRAKE OPTION**

Spline: 39 Involute  
 Gearing: 15.50" Hypoid  
 Side Gear Part Number: 127367  
 Fastener Kit: 511600

*These new carrier units will directly replace single axle models 17060S BC and 19060S BC with no modifications. Model on ID tag may be RS344. These carriers are specifically designed for noise sensitive applications. When choosing replacements of these carriers, be sure to consult the OEM or verify the actual part numbers from the serial tag before ordering carriers. For ratios or options not shown, call Dana for availability.*

Ratio	New Carrier Exchange	New Carrier Core Free	Old Carrier Part - NLA
4.30	19060SRBC430EX	19060SRBC430CF	512771
4.78	19060SRBC478EX	19060SRBC478CF	511165
5.29	19060SRBC529EX	19060SRBC529CF	675942
5.57	19060SRBC557EX	19060SRBC557CF	675943
6.17	19060SRBC617EX	19060SRBC617CF	675944
6.50	19060SRBC650EX	19060SRBC650CF	675945
7.17	19060SRBC717EX	19060SRBC717CF	675946

*NOTE: The service carriers listed above have a thin flange design. Use axle housing hardware kit 511600.*

*NOTE 1: In certain Navistar vehicle applications, original Dana Production Carriers are identified as 21060S, 21060L, 21060T and 21060D. These carriers are built with 39 Involute spline side gears. Carriers with 39 Involute spline side gears are sold as 19060S, 19060BC, 19060L, 19060T and 19060D. **Be sure to check spline configuration before ordering replacement carriers.***

**19060D - DIFF LOCK CARRIERS**

Spline: 39 Involute  
 Gearing: 15.50" Hypoid  
 Side Gear Part Number: 127367  
 Fastener Kit: 511600

*These new carrier units will directly replace single axle models 17060D, 17060D PB, 19060D and 19060D PB and tandem axle model RD344 with no modifications. Model on ID tag may be RD344.*

Ratio	New Carrier Exchange	New Carrier Core Free	Old Carrier Part - NLA
3.08	19060D308EX	19060D308CF	675874
3.36	19060D336EX	19060D336CF	675625
3.55	19060D355EX	19060D355CF	676138
3.70	19060D370EX	19060D370CF	676139
3.90	19060D390EX	19060D390CF	676045
4.11	19060D411EX	19060D411CF	675423
4.33	19060D433EX	19060D433CF	675424
4.63	19060D463EX	19060D463CF	675425
4.88	19060D488EX	19060D488CF	675426
5.29	19060D529EX	19060D529CF	675427
5.57	19060D557EX	19060D557CF	675428
6.17	19060D617EX	19060D617CF	675429
6.50	RD344650EX	RD344650CF	675430
7.17	RD344717EX	RD344717CF	675431

*NOTE: The service carriers listed above have a thin flange design. Use axle housing hardware kit 511600.*

**19060D - DIFF LOCK CARRIERS W/ PARKING BRAKE OPTION**

Spline: 39 Involute  
 Gearing: 15.50" Hypoid  
 Side Gear Part Number: 127367  
 Fastener Kit: 511600

*These new carrier units will directly replace single axle models 17060D, 17060D PB, 19060D and 19060D PB and tandem axle model RD344 with no modifications. Model on ID tag may be RD344.*

Ratio	New Carrier Exchange	New Carrier Core Free	Old Carrier Part - NLA
3.08	19060DR308EX	19060DR308CF	681284
3.25	19060DR325EX	19060DR325CF	676137
3.36	19060DR336EX	19060DR336CF	681285
3.55	19060DR355EX	19060DR355CF	681286
3.70	19060DR370EX	19060DR370CF	681287
3.90	19060DR390EX	19060DR390CF	681289
4.11	19060DR411EX	19060DR411CF	681290
4.33	19060DR433EX	19060DR433CF	681291
4.63	19060DR463EX	19060DR463CF	681292
4.88	19060DR488EX	19060DR488CF	681293
5.29	19060DR529EX	19060DR529CF	681294
5.57	19060DR557EX	19060DR557CF	681295
6.17	19060DR617EX	19060DR617CF	681296
6.50	19060DR650EX	19060DR650CF	681297
7.17	19060DR717EX	19060DR717CF	681298

*NOTE: The service carriers listed above have a thin flange design. Use axle housing hardware kit 511600.*

**19060S NS - NO SPIN CARRIERS**

Spline: 39 Involute  
 Gearing: 15.50" Hypoid  
 No Spin Diff Part Number: 128775  
 Fastener Kit: 511600

*These new carrier units will directly replace single axle models 17060S NS with no modifications. Model on ID tag may be RS344.*

Ratio	New Carrier Exchange	New Carrier Core Free	Old Carrier Part - NLA
3.25	19060SN325EX	19060SN325CF	512030
3.55	19060SN355EX	19060SN355CF	508306
3.90	19060SN390EX	19060SN390CF	681407
4.11	19060SN411EX	19060SN411CF	681348
4.33	19060SN433EX	19060SN433CF	508236
4.63	19060SN463EX	19060SN463CF	508307
4.88	19060SN488EX	19060SN488CF	508311
5.29	19060SN529EX	19060SN529CF	681385
5.57	19060SN557EX	19060SN557CF	681386
6.50	19060SN650EX	19060SN650CF	508174
7.17	19060SN717EX	19060SN717CF	512093

*NOTE: The service carriers listed above have a thin flange design. Use axle housing hardware kit 511600.*

**19060S NS - NO SPIN CARRIERS W/ PARKING BRAKE OPTION**

Spline: 39 Involute  
 Gearing: 15.50" Hypoid  
 No Spin Diff Part Number: 128775  
 Fastener Kit 511600

*These new carrier units will directly replace single axle models 17060S NS PB with no modifications. Model on ID tag may be RS344.*

Ratio	New Carrier Exchange	New Carrier Core Free	Old Carrier Part - NLA
3.70	19060SNR370EX	19060SNR370CF	681563
3.90	19060SNR390EX	19060SNR390CF	511625
4.11	19060SNR411EX	19060SNR411CF	511504
4.63	19060SNR463EX	19060SNR463CF	681363
4.88	19060SNR488EX	19060SNR488CF	681404
5.29	19060SNR529EX	19060SNR529CF	681362
5.57	19060SNR557EX	19060SNR557CF	511486
6.17	19060SNR617EX	19060SNR617CF	511930
7.17	19060SNR717EX	19060SNR717CF	512088

*NOTE: The service carriers listed above have a thin flange design. Use axle housing hardware kit 511600.*

**19060S NS - NO SPIN CARRIERS W/ BC - GENTECH™ - QUIET GEARING**

Spline: 39 Involute  
 Gearing: 15.50" Hypoid  
 No Spin Diff Part Number: 128775  
 Fastener Kit: 511600

*These new carrier units will directly replace single axle models 17060S NS with no modifications. Model on ID tag may be RS344.*

Ratio	New Carrier Exchange	New Carrier Core Free	Old Carrier Part - NLA
6.17	19060SNBC617EX	19060SNBC617CF	681347 BC

**19060S NS - NO SPIN CARRIERS W/ BC - GENTECH™ - QUIET GEARING W/ PARKING BRAKE OPTION**

Spline: 39 Involute  
 Gearing: 15.50" Hypoid  
 No Spin Diff Part Number: 128775  
 Fastener Kit: 511600  
 These new carrier units will directly replace single axle models 17060S NS with no modifications. Model on ID tag may be RS344.

Ratio	New Carrier Exchange	New Carrier Core Free	Old Carrier Part - NLA
6.17	19060SNRBC617EX	19060SNRBC617CF	511930

**21060S - STANDARD CARRIER**

Spline: 41 Involute  
 Gearing: 15.50" Hypoid  
 Side Gear Part Number: 127368  
 Fastener Kit: 512087 for thick flange carriers & 511600 for thin flange carriers  
 These new carrier units will directly replace single axle models 21060S & 22060S and tandem axle models RS404 and RS405 with no modifications. Model on ID tag may be RS404.

Ratio	New Carrier Exchange	New Carrier Core Free	Old Carrier Part - NLA
2.64	RS404264EX	RS404264CF	674877
2.85	RS404285EX	RS404285CF	674878
2.93	RS404293EX	RS404293CF	675635
3.08	RS404308EX	RS404308CF	674879
3.25	RS404325EX	RS404325CF	674880
3.36	RS404336EX	RS404336CF	674881
3.42	RS404342EX	RS404342CF	681576
3.55	RS404355EX	RS404355CF	674882
3.70	RS404370EX	RS404370CF	674883
3.90	RS404390EX	RS404390CF	674884
4.11	RS404411EX	RS404411CF	674885
4.33	RS404433EX	RS404433CF	674886
4.63	RS404463EX	RS404463CF	674887
4.88	RS404488EX	RS404488CF	674888
5.29	RS404529EX	RS404529CF	674889
5.57	RS404557EX	RS404557CF	674890
6.17	RS404617EX	RS404617CF	674891
6.50	RS404650EX	RS404650CF	674892
7.17	RS404717EX	RS404717CF	674893

*NOTE 1: In certain Navistar applications, original Dana Production Carriers are identified as 21060S, 21060L, 21060T and 21060D. These carriers are built with 39 Involute spline side gears. Carriers with 39 Involute spline side gears are sold as 19060S, 19060BC, 19060L, 19060T and 19060D. Refer to the 19060 model section of this IPL for those replacement part numbers. **Be sure to check spline configuration before ordering replacement carriers.***

**21060S - STANDARD CARRIER W/ PARKING BRAKE OPTION**

Spline: 41 Involute  
 Gearing: 15.50" Hypoid  
 Side Gear Part Number: 127368  
 Fastener Kit: 512087 for thick flange carriers & 511600 for thin flange carriers  
 These new carrier units will directly replace single axle models 21060S PB and 22060S PB and tandem axle models RS404 and RS405 with no modifications. Model on ID tag may be RS404.

Ratio	New Carrier Exchange	New Carrier Core Free	Old Carrier Part - NLA
3.08	P20060R308EX†	P20060R308CF†	681514
3.25	P20060R325EX†	P20060R325CF†	681515
3.36	P20060R336EX†	P20060R336CF†	681516
3.55	21060SR355EX*	21060SR355CF*	676121*
3.70	21060SR370EX*	21060SR370CF*	676122*
3.90	21060SR390EX*	21060SR390CF*	676123*
4.11	21060SR411EX*	21060SR411CF*	676124*
4.33	21060SR433EX*	21060SR433CF*	676125*
4.63	21060SR463EX*	21060SR463CF*	676126*
4.88	21060SR488EX*	21060SR488CF*	676127*
5.29	21060SR529EX*	21060SR529CF*	676128*
5.57	21060SR557EX*	21060SR557CF*	676129*
6.17	P20060R617EX†	P20060R617CF†	681526
6.50	21060SR650EX*	21060SR650CF*	681283*

\* Denotes thin flange design - use axle housing hardware kit 511600. All others are thick flange design - use axle housing hardware kit 512087.

† These 21060S PB carriers are serviced by the P20060R carriers.

*NOTE 1: In certain Navistar applications, original Dana Production Carriers are identified as 21060S, 21060L, 21060T and 21060D. These carriers are built with 39 Involute spline side gears. Carriers with 39 Involute spline side gears are sold as 19060S, 19060BC, 19060L, 19060T and 19060D. Refer to the 19060 model section of this IPL for those replacement part numbers. **Be sure to check spline configuration before ordering replacement carriers.***

**21060D - DIFF LOCK CARRIER**

Spline: 41 Involute  
 Gearing: 15.50" Hypoid  
 Side Gear Part Number: 127368  
 Fastener Kit: 512087 for thick flange carriers & 511600 for thin flange carriers  
 See Notes 1 & 2. These new carrier units will directly replace differential lock single axle models 21060D and 22060D and tandem axle models RD404 and RD405 with no modifications. Model on ID tag may be RD404.

Ratio	New Carrier Exchange	New Carrier Core Free	Old Carrier Part - NLA
2.64	RDP40264EX*	RDP40264CF*	676013
2.85	RD404285EX	RD404285CF	675281
3.08	RD404308EX	RD404308CF	675282
3.25	RD404325EX	RD404325CF	675283
3.36	RD404336EX	RD404336CF	675284
3.42	RD404342EX	RD404342CF	681577
3.55	RD404355EX	RD404355CF	675285
3.70	RD404370EX	RD404370CF	675286
3.90	RD404390EX	RD404390CF	675287
4.11	RD404411EX	RD404411CF	675288
4.33	RD404433EX	RD404433CF	675289
4.63	RD404463EX	RD404463CF	675290
4.88	RD404488EX	RD404488CF	675291
5.29	RD404529EX	RD404529CF	675292
5.57	RD404557EX	RD404557CF	675293
6.17	RD404617EX	RD404617CF	675294
6.50	RD404650EX	RD404650CF	675295
7.17	RD404717EX	RD404717CF	675296

\* This RD404 carrier is serviced by the RDP40 carrier.

*NOTE 1: In certain International applications, original Dana Production Carriers are identified as 21060S, 21060L, 21060T and 21060D. These carriers are built with 39 Involute spline side gears. Carriers with 39 Involute spline side gears are sold as 19060S, 19060BC, 19060L, 19060T and 19060D. Refer to the 19060 section of this IPL for those replacement part numbers. **Be sure to check spline configuration before ordering replacement carriers.***

*Note 2: Diff Lock shift covers on these units are supplied with standard English threaded air line ports.*

**21060D - DIFF LOCK CARRIER W/ PARKING BRAKE OPTION**

Spline: 41 Involute  
 Gearing: 15.50" Hypoid  
 Side Gear Part Number: 127368  
 Fastener Kit: 512087 for thick flange carriers & 511600 for thin flange carriers  
*See Notes 1 & 2. These new carrier units will directly replace differential lock single axle models 21060D PB and 22060D PB and tandem axle models RD404 and RD405 with no modifications. Model on ID tag may be RD404.*

Ratio	New Carrier Exchange	New Carrier Core Free	Old Carrier Part - NLA
3.55	21060DR355EX*	21060DR355CF*	681300*
3.70	21060DR370EX*	21060DR370CF*	681299*
3.90	21060DR390EX*	21060DR390CF*	681301*
4.11	21060DR411EX*	21060DR411CF*	681302*
4.33	21060DR433EX*	21060DR433CF*	681303*
4.63	21060DR463EX*	21060DR463CF*	681304*
4.88	21060DR488EX*	21060DR488CF*	681305*
5.29	21060DR529EX*	21060DR529CF*	681306*
5.57	21060DR557EX*	21060DR557CF*	681307*
6.50	21060DR650EX*	21060DR650CF*	681308*

\* Denotes thin flange design - use axle housing hardware kit 511600. All others are thick flange design - use axle housing hardware kit 512087.

*NOTE 1: In certain International applications, original Dana Production Carriers are identified as 21060S, 21060L, 21060T and 21060D. These carriers are built with 39 Involute spline side gears. Carriers with 39 Involute spline side gears are sold as 19060S, 19060BC, 19060L, 19060T and 19060D. Refer to the 19060 section of this IPL for those replacement part numbers. **Be sure to check spline configuration before ordering replacement carriers.***

*NOTE 2: Diff Lock shift covers on these units are supplied with standard English threaded air line ports.*

**21060S NS - NO SPIN CARRIER**

Spline: 41 Involute  
 Gearing: 15.50" Hypoid  
 No Spin Diff Part Number: 128776  
 Fastener Kit: 511600  
*These new carrier units will directly replace single axle models 21060S NS and 22060S NS with no modifications.*

Ratio	New Carrier Exchange	New Carrier Core Free	Old Carrier Part - NLA
3.90	21060SN390EX	21060SN390CF	511236
4.11	21060SN411EX	21060SN411CF	511237
4.33	21060SN433EX	21060SN433CF	511238
4.63	21060SN463EX	21060SN463CF	511239
4.88	21060SN488EX	21060SN488CF	511240
5.29	21060SN529EX	21060SN529CF	511241
5.57	21060SN557EX	21060SN557CF	511242
6.17	21060SN617EX	21060SN617CF	511243

*NOTE: The service carriers listed above have a thin flange design. Use axle housing hardware kit 511600.*

**21060S BC - GENTECH™ - QUIET GEARING**

Spline: 41 Involute  
 Gearing: 15.50" Hypoid  
 Side Gear Part Number: 127368  
 Fastener Kit: 512087 for thick flange carriers & 511600 for thin flange carriers  
*See NOTE 1. These new carrier units will directly replace single axle models 21060S BC (GenTech - Coach Quiet) with no modifications.*

Ratio	New Carrier Exchange	New Carrier Core Free	Old Carrier Part - NLA
4.30	21060SBC430EX*	21060SBC430CF*	675629*
4.63	23060SHBC463EX†	23060SHBC463CF†	681462†
4.78	21060SBC478EX*	21060SBC478CF*	675873*
5.29	21060SBC529EX*	21060SBC529CF*	676145*
5.57	21060SBC557EX	21060SBC557CF	681459
6.17	21060SBC617EX*	21060SBC617CF*	676149*
6.50	21060SBC650EX*	21060SBC650CF*	676150*
7.17	21060SBC717EX*	21060SBC717CF*	676151*

\* Denotes thin flange design - use axle housing hardware kit 511600. All others are thick flange design - use axle housing hardware kit 512087.

† This 21060S BC carrier is serviced by the 23030SH BC carrier.

*NOTE 1: Dana carriers shown with GenTech gearing are for motor coach and bus applications. When doing repairs or replacement of these axles, be sure to consult the OEM or verify the actual part numbers from the serial tags before ordering carriers. For ratios not shown call Dana for availability.*

**DS344**

Single Reduction  
 39 Inv Spline  
 Side Gear p/n 127367

Ratio	New Carrier Exchange	New Carrier Core Free	Old Carrier Part-NLA
3.08	DS344308EX	DS344308CF	682886
3.36	DS344336EX	DS344336CF	682888
3.55	DS344355EX	DS344355CF	682889
3.70	DS344370EX	DS344370CF	682890
3.90	DS344390EX	DS344390CF	682891
4.11	DS344411EX	DS344411CF	682892
4.33	DS344433EX	DS344433CF	682893
4.63	DS344463EX	DS344463CF	682894
4.88	DS344488EX	DS344488CF	682895
5.29	DS344529EX	DS344529CF	682896
5.57	DS344557EX	DS344557CF	682897
6.17	DS344617EX	DS344617CF	682898
6.50	DS344650EX	DS344650CF	682899

**RS344**

Single Reduction  
 39 Inv Spline  
 Side Gear p/n 127367

Ratio	New Carrier Exchange	New Carrier Core Free	Old Carrier Part-NLA
3.08	RS344308EX	RS344308CF	675914
3.25	19060S325EX	19060S325CF	681435
3.36	RS344336EX	RS344336CF	675565
3.55	RS344355EX	RS344355CF	675566
3.70	RS344370EX	RS344370CF	675623
3.90	RS344390EX	RS344390CF	675564
4.11	RS344411EX	RS344411CF	675414
4.33	RS344433EX	RS344433CF	675415
4.63	RS344463EX	RS344463CF	675416
4.88	RS344488EX	RS344488CF	675417
5.29	RS344529EX	RS344529CF	675418
5.57	RS344557EX	RS344557CF	675419
6.17	RS344617EX	RS344617CF	675420
6.50	RS344650EX	RS344650CF	675421
7.17	RS344717EX	RS344717CF	675422

**DS404**

Single Reduction  
 41 Inv Spline  
 Side Gear p/n 127368

Ratio	New Carrier Exchange	New Carrier Core Free	Old Carrier Part-NLA
2.64	DS404264EX	DS404264CF	682861
2.85	DS404285EX	DS404285CF	682862
2.93	DS404293EX	DS404293CF	682634
3.08	DS404308EX	DS404308CF	682863
3.25	DS404325EX	DS404325CF	682864
3.36	DS404336EX	DS404336CF	682865
3.42	DS404342EX	DS404342CF	681572
3.55	DS404355EX	DS404355CF	682866
3.70	DS404370EX	DS404370CF	682867
3.90	DS404390EX	DS404390CF	682868
4.11	DS404411EX	DS404411CF	682869
4.33	DS404433EX	DS404433CF	682870
4.63	DS404463EX	DS404463CF	682871
4.88	DS404488EX	DS404488CF	682872
5.29	DS404529EX	DS404529CF	682873
5.57	DS404557EX	DS404557CF	682874
6.17	DS404617EX	DS404617CF	682875
6.50	DS404650EX	DS404650CF	682876

**DS404P W/ LUBE PUMP**

Single Reduction w/ Lube Pump  
 41 Inv Spline  
 Side Gear p/n 127368

Ratio	New Carrier Exchange	New Carrier Core Free	Old Carrier Part-NLA
2.64	DS404264EX	DS404264CF	682200
2.85	DS404285EX	DS404285CF	682201
2.93	DS404293EX	DS404293CF	682114
3.08	DS404308EX	DS404308CF	682202
3.25	DS404325EX	DS404325CF	682203
3.36	DS404336EX	DS404336CF	682204
3.42	DS404342EX	DS404342CF	681573
3.55	DS404355EX	DS404355CF	682205
3.70	DS404370EX	DS404370CF	682206
3.90	DS404390EX	DS404390CF	682207
4.11	DS404411EX	DS404411CF	682208
4.33	DS404433EX	DS404433CF	682209
4.63	DS404463EX	DS404463CF	682210
4.88	DS404488EX	DS404488CF	682211
5.29	DS404529EX	DS404529CF	682212
5.57	DS404557EX	DS404557CF	682213
6.17	DS404617EX	DS404617CF	682214
6.50	DSP40650EX	DSP40650CF	682012

**DD404 W/ DIFF LOCK**

Single Reduction w/ Wheel Differential Lock  
 41 Inv Spline  
 Side Gear p/n 127368

Ratio	New Carrier Exchange	New Carrier Core Free	Old Carrier Part-NLA
2.64	DD404264EX	DD404264CF	682510
2.85	DD404285EX	DD404285CF	682251
2.93	DDP40293EX	DDP40293CF	n/a
3.08	DD404308EX	DD404308CF	682252
3.25	DD404325EX	DD404325CF	682253
3.36	DD404336EX	DD404336CF	682254
3.42	DD404342EX	DD404342CF	681574
3.55	DD404355EX	DD404355CF	682255
3.70	DD404370EX	DD404370CF	682256
3.90	DD404390EX	DD404390CF	682257
4.11	DD404411EX	DD404411CF	682258
4.33	DD404433EX	DD404433CF	682259
4.63	DD404463EX	DD404463CF	682260
4.88	DD404488EX	DD404488CF	682261
5.29	DD404529EX	DD404529CF	682262
5.57	DD404557EX	DD404557CF	682263
6.17	DD404617EX	DD404617CF	682264
6.50	DD404650EX	DD404650CF	682265

**DD404P W/ DIFF LOCK AND LUBE PUMP**

Single Reduction w/ Wheel Differential Lock and Lube Pump  
 41 Inv Spline  
 Side Gear p/n 127368

Ratio	New Carrier Exchange	New Carrier Core Free	Old Carrier Part-NLA
2.64	DD404P264EX	DD404P264CF	682303
2.85	DD404P285EX	DD404P285CF	682304
2.93	DDP40P293EX	DDP40P293CF	n/a
3.08	DD404P308EX	DD404P308CF	682305
3.25	DD404P325EX	DD404P325CF	682306
3.36	DD404P336EX	DD404P336CF	682307
3.42	DD404P342EX	DD404P342CF	681574
3.55	DD404P355EX	DD404P355CF	682308
3.70	DD404P370EX	DD404P370CF	682309
3.90	DD404P390EX	DD404P390CF	682310
4.11	DD404P411EX	DD404P411CF	682311
4.33	DD404P433EX	DD404P433CF	682312
4.63	DD404P463EX	DD404P463CF	682313
4.88	DD404P488EX	DD404P488CF	682314
5.29	DD404P529EX	DD404P529CF	682315
5.57	DD404P557EX	DD404P557CF	682316
6.17	DD404P617EX	DD404P617CF	682317
6.50	DD404P650EX	DD404P650CF	682318

**RD404 W/ DIFF LOCK**

Single Reduction w/ Wheel Differential Lock  
 41 Inv Spline  
 Side Gear p/n 127368

Ratio	New Carrier Exchange	New Carrier Core Free	Old Carrier Part-NLA
2.64	RDP40264EX	RDP40264CF	676013
2.85	RD404285EX	RD404285CF	675281
2.93	RDP40293EX	RDP40293CF	n/a
3.08	RD404308EX	RD404308CF	675282
3.25	RD404325EX	RD404325CF	675283
3.36	RD404336EX	RD404336CF	675284
3.42	RD404342EX	RD404342CF	681577
3.55	RD404355EX	RD404355CF	675285
3.70	RD404370EX	RD404370CF	675286
3.90	RD404390EX	RD404390CF	675287
4.11	RD404411EX	RD404411CF	675288
4.33	RD404433EX	RD404433CF	675289
4.63	RD404463EX	RD404463CF	675290
4.88	RD404488EX	RD404488CF	675291
5.29	RD404529EX	RD404529CF	675292
5.57	RD404557EX	RD404557CF	675293
6.17	RD404617EX	RD404617CF	675294
6.50	RD404650EX	RD404650CF	675295
7.17	RD404717EX	RD404717CF	675296

**RS404**

Single Reduction  
 41 Inv Spline  
 Side Gear p/n 127368

Ratio	New Carrier Exchange	New Carrier Core Free	Old Carrier Part-NLA
2.64	RS404264EX	RS404264CF	674877
2.85	RS404285EX	RS404285CF	674878
2.93	RS404293EX	RS404293CF	675635
3.08	RS404308EX	RS404308CF	674879
3.25	RS404325EX	RS404325CF	674880
3.36	RS404336EX	RS404336CF	674881
3.42	RS404342EX	RS404342CF	681576
3.55	RS404355EX	RS404355CF	674882
3.70	RS404370EX	RS404370CF	674883
3.90	RS404390EX	RS404390CF	674884
4.11	RS404411EX	RS404411CF	674885
4.30	RS404430EX	RS404430CF	n/a
4.33	RS404433EX	RS404433CF	674886
4.63	RS404463EX	RS404463CF	674887
4.88	RS404488EX	RS404488CF	674888
5.29	RS404529EX	RS404529CF	674889
5.57	RS404557EX	RS404557CF	674890
6.17	RS404617EX	RS404617CF	674891
6.50	RS404650EX	RS404650CF	674892
7.17	RS404717EX	RS404717CF	674893

**DS454/RS454 MODEL SUPERSESSION**

*In 2003 the carrier models known as DS454, RS454, DD454 & RD454 models were discontinued and were replaced by the High Performance DSH40, RSH40 or DSP40, RSP40 family of carriers. In 2009 and again in 2014 additional replacement changes were made and the carriers listed below are now the most current direct replacement service carriers for these specific applications. The specific carriers listed below are the proper carriers for the original applications of 454 family axles. Dana bulletins ABIB-0902 and HAXL-PNI-058 can be referenced for additional details of the carrier part number changes.*

**DS454**

Single Reduction  
 41 Inv Spline  
 Side Gear p/n 127368

Ratio	New Carrier Exchange	New Carrier Core Free	2003 Carrier Part #s - NLA	2009 Carrier Part #s - NLA
2.64	DSP40264EX	DSP40264CF	675657	n/a
2.85	DSP40285EX	DSP40285CF	675658	n/a
2.93	DSP40293EX	DSP40293CF	n/a	682966
3.08	DSP40308EX	DSP40308CF	675659	682740
3.25	DSH40325EX	DSH40325CF	675660	682741
3.36	DSH40336EX	DSH40336CF	675661	682742
3.55	DSH40355EX	DSH40355CF	675662	682743
3.70	DSH40370EX	DSH40370CF	675663	682744
3.90	DSH40390EX	DSH40390CF	675664	682745
4.11	DSH40411EX	DSH40411CF	675665	682746
4.33	DSH40433EX	DSH40433CF	675666	682747
4.63	DSP40463EX	DSP40463CF	675667	682748
4.88	DSP40488EX	DSP40488CF	675668	682749
5.29	DSP40529EX	DSP40529CF	675669	682977
5.57	DSP40557EX	DSP40557CF	675670	682978
6.17	DSP40617EX	DSP40617CF	675671	682979
6.50	DSP40650EX	DSP40650CF	675672	682980
7.17	DSP40717EX	DSP40717CF	n/a	682014

**DS454P W/ LUBE PUMP**

Single Reduction w/ Lube Pump  
41 Inv Spline  
Side Gear p/n 127368

Ratio	New Carrier Exchange	New Carrier Core Free	2003 Carrier Part #s - NLA	2009 Carrier Part #s - NLA
2.64	DSP40P264EX	DSP40P264CF	675641	n/a
2.85	DSP40P285EX	DSP40P285CF	675642	n/a
2.93	DSP40P293EX	DSP40P293CF	n/a	682998
3.08	DSP40P308EX	DSP40P308CF	675643	682750
3.25	DSH40P325EX	DSH40P325CF	675644	682751
3.36	DSH40P336EX	DSH40P336CF	675645	682752
3.55	DSH40P355EX	DSH40P355CF	675646	682753
3.70	DSH40P370EX	DSH40P370CF	675647	682754
3.90	DSH40P390EX	DSH40P390CF	675648	682755
4.11	DSH40P411EX	DSH40P411CF	675649	682756
4.33	DSH40P433EX	DSH40P433CF	675650	682757
4.63	DSP40P463EX	DSP40P463CF	675651	682758
4.88	DSP40P488EX	DSP40P488CF	675652	682759
5.29	DSP40P529EX	DSP40P529CF	675653	682009
5.57	DSP40P557EX	DSP40P557CF	675654	682010
6.17	DSP40P617EX	DSP40P617CF	675655	682011
6.50	DSP40P650EX	DSP40P650CF	675656	682012
7.17	DSP40P717EX	DSP40P717CF	n/a	682013

**RS454**

Single Reduction  
41 Inv Spline  
Side Gear p/n 127368

Ratio	New Carrier Exchange	New Carrier Core Free	2003 Carrier Part #s - NLA	2009 Carrier Part #s - NLA
2.64	RSP40264EX	RSP40264CF	675673	n/a
2.85	RSP40285EX	RSP40285CF	675674	n/a
2.93	RSP40293EX	RSP40293CF	n/a	676030
3.08	RSP40308EX	RSP40308CF	675675	675780
3.25	RSH40325EX	RSH40325CF	675676	675781
3.36	RSH40336EX	RSH40336CF	675677	675782
3.55	RSH40355EX	RSH40355CF	675678	675783
3.70	RSH40370EX	RSH40370CF	675679	675784
3.90	RSH40390EX	RSH40390CF	675680	675785
4.11	RSH40411EX	RSH40411CF	675681	675786
4.33	RSH40433EX	RSH40433CF	675682	675787
4.63	RSP40463EX	RSP40463CF	675683	675788
4.88	RSP40488EX	RSP40488CF	675684	675789
5.29	RSP40529EX	RSP40529CF	675685	676041
5.57	RSP40557EX	RSP40557CF	675686	676042
6.17	RSP40617EX	RSP40617CF	675687	676043
6.50	RSP40650EX	RSP40650CF	675688	676044
7.17	RSP40717EX	RSP40717CF	n/a	681443

**DD454/RD454 MODEL SUPERSESSION**

In 2003 the carrier models known as DS454, RS454, DD454 & RD454 models were discontinued and were replaced by the High Performance DSH40, RSH40 or DSP40, RSP40 family of carriers. In 2009 and again in 2014 additional replacement changes were made and the carriers listed below are now the most current direct replacement service carriers for these specific applications. The specific carriers listed below are the proper carriers for the original applications of 454 family axles. Dana bulletins ABIB-0902 and HAXL-PNI-058 can be referenced for additional details of the carrier part number changes.

**DD454 W/ DIFF LOCK**

Single Reduction w/ Wheel Differential Lock  
41 Inv Spline  
Side Gear p/n 127368

Ratio	New Carrier Exchange	New Carrier Core Free	2003 Carrier Part #s - NLA	2009 Carrier Part #s - NLA
2.64	DDP40264EX	DDP40264CF	675705	n/a
2.85	DDP40285EX	DDP40285CF	675706	n/a
2.93	DDP40293EX	DDP40293CF	n/a	682950
3.08	DDP40308EX	DDP40308CF	675707	682760
3.25	DDH40325EX	DDH40325CF	675708	682761
3.36	DDH40336EX	DDH40336CF	675709	682762
3.55	DDH40355EX	DDH40355CF	675710	682763
3.70	DDH40370EX	DDH40370CF	675711	682764
3.90	DDH40390EX	DDH40390CF	675712	682765
4.11	DDH40411EX	DDH40411CF	675713	682766
4.33	DDH40433EX	DDH40433CF	675714	682767
4.63	DDP40463EX	DDP40463CF	675715	682768
4.88	DDP40488EX	DDP40488CF	675716	682769
5.29	DDP40529EX	DDP40529CF	675717	682961
5.57	DDP40557EX	DDP40557CF	675718	682962
6.17	DDP40617EX	DDP40617CF	675719	682963
6.50	DDP40650EX	DDP40650CF	675720	682964
7.17	DDP40717EX	DDP40717CF	n/a	682016

**DD454P W/ DIFF LOCK AND LUBE PUMP**

Single Reduction w/ Wheel Differential Lock and Lube Pump  
41 Inv Spline  
Side Gear p/n 127368

Ratio	New Carrier Exchange	New Carrier Core Free	2003 Carrier Part #s - NLA	2009 Carrier Part #s - NLA
2.64	DDP40P264EX	DDP40P264CF	675689	n/a
2.85	DDP40P285EX	DDP40P285CF	675690	n/a
2.93	DDP40P293EX	DDP40P293CF	n/a	682982
3.08	DDP40P308EX	DDP40P308CF	675691	682983/682770
3.25	DDH40P325EX	DDH40P325CF	675692	682771
3.36	DDH40P336EX	DDH40P336CF	675693	682772
3.55	DDH40P355EX	DDH40P355CF	675694	682773
3.70	DDH40P370EX	DDH40P370CF	675695	682774
3.90	DDH40P390EX	DDH40P390CF	675696	682775
4.11	DDH40P411EX	DDH40P411CF	675697	682776
4.33	DDH40P433EX	DDH40P433CF	675698	682777
4.63	DDP40P463EX	DDP40P463CF	675699	682778/682991
4.88	DDP40P488EX	DDP40P488CF	675700	682779/682992
5.29	DDP40P529EX	DDP40P529CF	675701	682993
5.57	DDP40P557EX	DDP40P557CF	675702	682994
6.17	DDP40P617EX	DDP40P617CF	675703	682995
6.50	DDP40P650EX	DDP40P650CF	675704	682996
7.17	DDP40P717EX	DDP40P717CF	n/a	682016

**RD454 W/ DIFF LOCK**

Single Reduction w/ Wheel Differential Lock  
 41 Inv Spline  
 Side Gear p/n 127368

Ratio	New Carrier Exchange	New Carrier Core Free	2003 Carrier Part #s - NLA	2009 Carrier Part #s - NLA
2.64	RDP40264EX	RDP40264CF	675721	n/a
2.85	RDP40285EX	RDP40285CF	675722	n/a
2.93	RDP40293EX	RDP40293CF	n/a	676014
3.08	RDP40308EX	RDP40308CF	675723	675790
3.25	RDH40325EX	RDH40325CF	675724	675791
3.36	RDH40336EX	RDH40336CF	675725	675792
3.55	RDH40355EX	RDH40355CF	675726	675793
3.70	RDH40370EX	RDH40370CF	675727	675794
3.90	RDH40390EX	RDH40390CF	675728	675795
4.11	RDH40411EX	RDH40411CF	675729	675796
4.33	RDH40433EX	RDH40433CF	675730	675797
4.63	RDP40463EX	RDP40463CF	675731	675798
4.88	RDP40488EX	RDP40488CF	675732	675799
5.29	RDP40529EX	RDP40529CF	675733	676025
5.57	RDP40557EX	RDP40557CF	675734	676026
6.17	RDP40617EX	RDP40617CF	675735	676027
6.50	RDP40650EX	RDP40650CF	675736	676028
7.17	RDP40717EX	RDP40717CF	n/a	681444

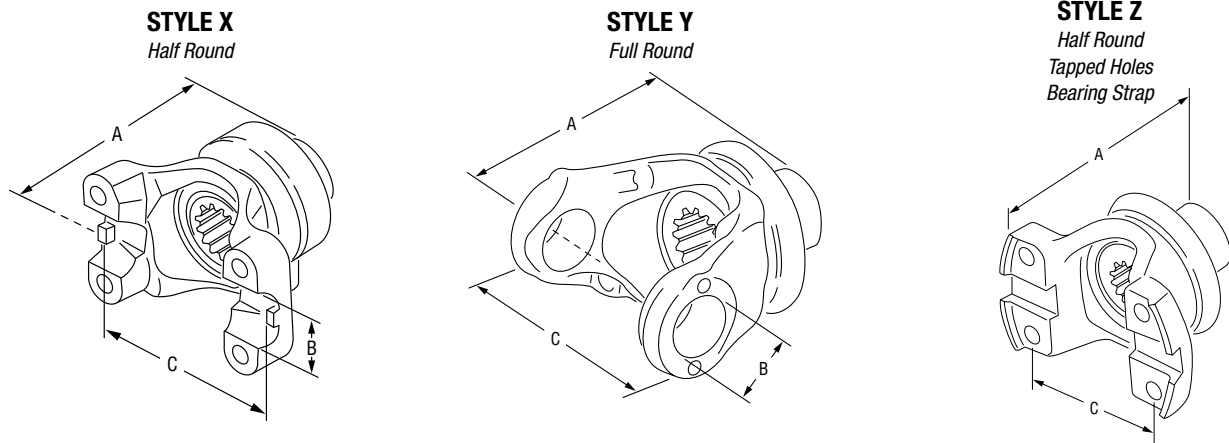
*Service carriers for "Reverse Air" DA454/RA454 models and models with "In Axle Speed Sensors" (IASS) are no longer offered by Dana.*

**DL344 / RL344 - DISCONTINUED**

Single Reduction w/Differential Lock  
 39 Inv Spline  
 Limited Slip p/n 130141-nla

Ratio	Service Carrier
all	n/a





## All D344, D404, D405, D454, DSP40, DSP41, DSH40, DSH44, DST40, DST41, D40-145 and D40-145X Tandem Axle Models

### FORWARD AXLE - INPUT POSITION 1 / 2.274-44 INVOLUTE SPLINE

Slinger #232511

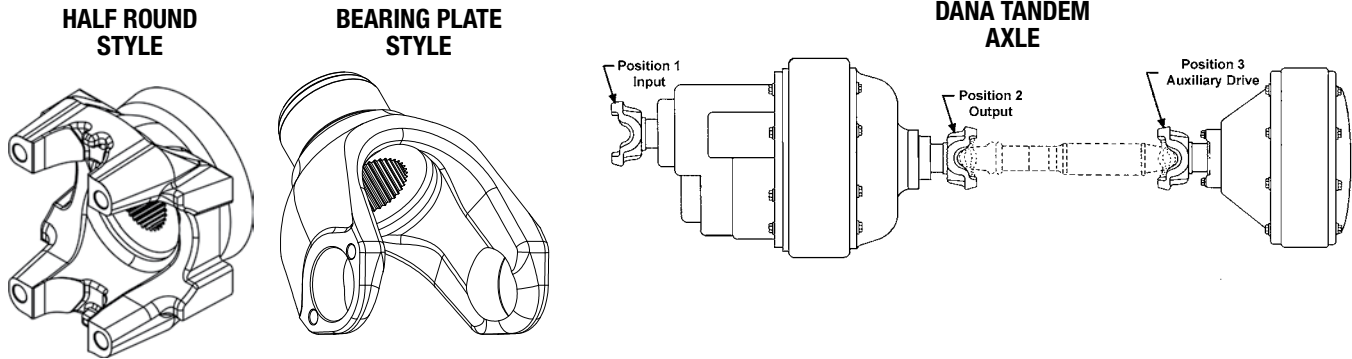
End Yoke Assy (includes slinger)	Series	Style	Dimensions (in Inches):				Replaces Old Part #
			Bearing Cap Diameter	Yoke Span	Centerline to End	Ground Hub Diameter	
6-4-8981-1X	1710	HR	1.938	6.190	5.190	3.000	127617
6-4-8981-1X	1710	HR	1.938	6.190	5.190	3.000	127617
6.3-4-5221X	1760	BP	1.938	7.000	5.250	3.000	127618
6.5-4-4571X	1810	BP	1.938	7.547	5.250	3.000	127619
6.5-4-4571-1X	1810	HR	1.938	7.643	5.250	3.000	127621
6.3-4-5221-1X	1760	HR	1.938	7.094	5.250	3.000	127622
170-4-201-1X	SPL170	HR	2.166	6.456	5.270	3.000	210831
250-4-81-1X	SPL250	HR	2.166	6.412	5.490	3.000	210833

### FORWARD AXLE - OUTPUT POSITION 2 / 2.024-39 INVOLUTE SPLINE

Slinger #232514

End Yoke Assy (includes slinger)	Series	Style	Dimensions (in Inches):				Replaces Old Part #
			Bearing Cap Diameter	Yoke Span	Centerline to End	Ground Hub Diameter	
6-4-9041X	1710	BP	1.938	6.094	5.250	2.625	127558
6-4-9001X	1710	BP	1.938	6.094	6.125	2.625	127624
6-4-9001-1X	1710	HR	1.938	6.190	6.125	2.625	128722
6-4-9041-1X	1710	HR	1.938	6.190	5.250	2.625	128737
170-4-221-1X	SPL170	HR	2.166	6.456	5.266	2.625	210835
170-4-241-1X	SPL170	HR	2.166	6.456	6.500	2.625	210837

Spicer yokes are shown for some of Dana's most popular drive axle models. Please note that the part numbers listed are PRODUCTION part numbers and are for reference only. The part number needed for service may vary. Please contact Driveshaft Division for price & availability of service yokes. For additional information see Service Bulletin ABIB0607.



**Yokes - Tandem Axle: All R344, R404, R405, R454, RSP40, RSP41, RSH40, RSH44, RST40 and RST41 Models**

**REAR AXLE - PINION POSITION 3 / 2.024-39 INVOLUTE SPLINE**

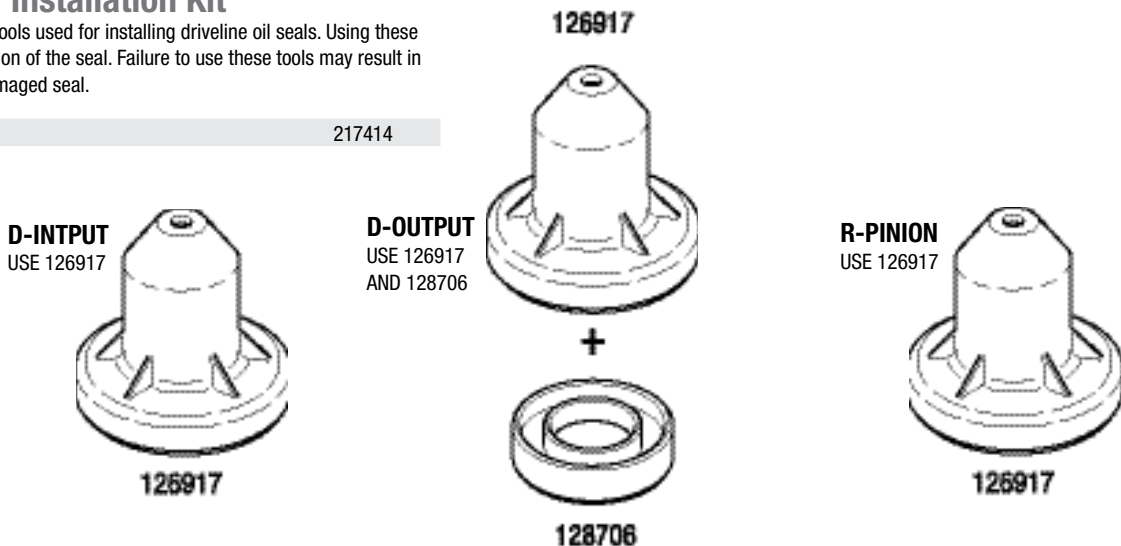
Slinger #232511

End Yoke Assy (includes slinger)	Series	Style	Dimensions (in Inches):				Replaces Old Part #
			Bearing Cap Diameter	Yoke Span	Centerline to End	Ground Hub Diameter	
6-4-9031X	1710	BP	1.938	6.094	5.250	3.000	127415
6-4-8991X	1710	BP	1.938	6.094	6.125	3.000	127637
5-4-8261	1610	BP	1.875	5.312	6.00	3.00	128720
6-4-9031-1X	1710	HR	1.938	6.190	5.250	3.000	128745
6-4-8991-1X	1710	HR	1.938	6.190	6.125	3.000	128746
5-4-9241-1X	1610	HR	1.875	5.312	6.000	3.000	129019
5-4-9231-1X	1610	HR	1.875	5.312	4.875	3.000	129043
3-4-13081-1X	1480	HR	1.375	4.188	4.344	3.000	129164
4-4-7571-1X	1550	HR	1.375	4.964	4.281	3.000	129166
170-4-261-1X	SPL170	HR	2.166	6.456	5.156	3.000	210839
170-4-281-1X	SPL170	HR	2.166	6.456	6.240	3.000	210841
90-4-251-1X	SPL90	HR	1.625	4.957	4.750	3.000	210923

**Oil Seal Driver Installation Kit**

This kit contains installation tools used for installing driveline oil seals. Using these tools ensures proper installation of the seal. Failure to use these tools may result in an improperly installed or damaged seal.

Oil Seal Driver Installation Kit 217414



## Service Kits and Assemblies

Axle Housing Hardware Kit - Thick Flange Carriers	512087	Manifold Parts Kit - Pump Mdls AFTER June 2008	504029
Axle Housing Hardware Kit - Thin Flange Carriers	511600		
Axle Housing Hardware Kit - 22/23060SH/DH Carriers	514260		
		Oil Seal Driver Installation Kit - All Models	217414
Basic Overhaul Kit - DD Models BEFORE June 2008	510399-1	Oil Seal & Shim Kit - All "D" series	216224-1
Basic Overhaul Kit - DD Models AFTER June 2008	504031-1	Oil Seal & Shim Kit - All "R" series	216225-1
Basic Overhaul Kit - RD Models	510400-1	Oil Seal & R-Pinion	2019185
Basic Overhaul Kit - DS Models BEFORE June 2008	510393-1	Oil Seal Through Shaft	2022740
Basic Overhaul Kit - DS Models AFTER June 2008	504030-1		
Basic Overhaul Kit - DA Models BEFORE June 2008	N/a	Output Shaft Kit - All "D" Models	216227
Basic Overhaul Kit - RS Models	510398-1		
Basic Overhaul Kit - RA Models	N/a		
Basic Overhaul Kit - RS404 Models Less RTV	N/a	Pinion Brg Spacer Kit - All "D" Models	504043
Basic Overhaul Kit - D40K Standard mdls AFTER June 2008	N/a	Pinion Brg Spacer Kit - All "R" Models	504016
Basic Overhaul Kit - D40K Diff-Lock mdls AFTER June 2008	N/a		
		Pinion Brg Cage Shim Kit	504032
Bearing Kit - DS Models BEFORE June 2008	512812-1		
Bearing Kit - RS Models BEFORE June 2008	512806-1	Power Divider Cover	130823
Bearing Kit - DD Models BEFORE June 2008	512800-1		
Bearing Kit - RD Models BEFORE June 2008	512805-1	Power Divider Kit - Major - All Models BEFORE June 2008	504404-2G
Bearing Kit - DS/DD Models AFTER June 2008	N/a	Power Divider Kit - Major - Pump Models AFTER June 2008	504404-4G
		Power Divider Kit - Major - Non-Pump Models AFTER June 2008	504404-6G
Carrier Rebuild Brg Kit - DS Models BEFORE June 2008	504161-1		
Carrier Rebuild Brg Kit - DS Models AFTER June 2008	504033-1	Power Divider Kit - Minor - All Models BEFORE June 2008	504404-1G
Carrier Rebuild Brg Kit - DD Models BEFORE June 2008	N/a	Power Divider Kit - Minor - Pump Models AFTER June 2008	504404-3G
Carrier Rebuild Brg Kit - DD Models AFTER June 2008	504034-1	Power Divider Kit - Minor - Non-Pump Models AFTER June 2008	504404-5G
Carrier Rebuild Brg Kit - D40K Standard mdls AFTER June 2008	504033-1		
Carrier Rebuild Brg Kit - D40K Diff Lock mdls AFTER June 2008	504034-1	Ring Gear Nut & Bolt Kit	508652
Carrier Rebuild Brg Kit - RS Models BEFORE June 2008	504119-1		
		Shift Fork & Spring Kit	510870
Cage & Cup Assy - Current D344, 404, 405, 454 Models	134316		
Cage & Cup Assy - Early D344, 404, 405, 454 Models	129767	Spindle Nut Kit - All Models	504158
Cage & Cup Assy - Current R404, 405, 454 Models	10002988	Wheel Diff Case Kit - 2.64 to 3.08 - All DS/RS Models	508653
Cage & Cup Assy - Early R404, 405, 454 Models	129768	Wheel Diff Case Kit - 3.25 to 3.90 - All DS/RS Models	508654
Cage & Cup Assy - 19060PB, 21060PB Parking Brake	129996	Wheel Diff Case Kit - 4.11 to 4.88 - All DS/RS Models	508655
		Wheel Diff Case Kit - 5.29 to 7.17 - All DS/RS Models	508656
Helical Side Gear Assembly	10000528		
		Wheel Diff Case Kit - 2.64 to 3.08 - All DD/RD Models	508724
Input Brg Cover Assy - After 11/2/98	129575	Wheel Diff Case Kit - 3.25 to 3.90 - All DD/RD Models	508725
Input Brg Cover Assy - Before 11/2/98	127602	Wheel Diff Case Kit - 4.11 to 4.88 - All DD/RD Models	508726
		Wheel Diff Case Kit - 5.29 to 7.17 - All DD/RD Models	508727
Input Shaft Kit - All "D" Models - BEFORE June 2008	504182		
Input Shaft Kit - D40K NON-PUMP Models-AFTER June 2008	504026	Wheel Diff Side Gear Kit - 41 Inv - All D/R Models	510397
Input Shaft Kit - D40K PUMP Models - AFTER June 2008	504027	Wheel Diff Side Gear Kit - 39 Inv	217461
		Wheel Diff Kit - w/o side gears - All D/R Models	510396
Inter-Axle Diff Assy - All "D" Models	10085729		
Lube Pump Assembly - All Models BEFORE June 2008	127534		
Lube Pump Parts Kit - All Models AFTER June 2008	504028		

Old Part #	Current Replacement Part #	Notes
006082	134297	Brg pts must use in sets - Reference Bulletin HAXL-PNI-33 for more information
009803	134301	Brg pts must use in sets - Reference Bulletin HAXL-PNI-33 for more information
012495	134295	Brg pts must use in sets - Reference Bulletin HAXL-PNI-33 for more information
012496	134308	Brg pts must use in sets - Reference Bulletin HAXL-PNI-33 for more information
014217	134292	Brg pts must use in sets - Reference Bulletin HAXL-PNI-33 for more information
014218	134306	Brg pts must use in sets - Reference Bulletin HAXL-PNI-33 for more information
015092	134332	Brg pts must use in sets - Reference Bulletin HAXL-PNI-33 for more information
027813	134300	Brg pts must use in sets - Reference Bulletin HAXL-PNI-33 for more information
085439	134291	Brg pts must use in sets - Reference Bulletin HAXL-PNI-33 for more information
090943	134298	Brg pts must use in sets - Reference Bulletin HAXL-PNI-33 for more information
121753	508652	Reference Bulletin ABIB-9701 for more information
126156	090873	
126841	—	Reference Bulletin ABIB-9709 for replacement parts
127369	129305	
127410	129128	
127412	129130	
127487	217519	Reference Bulletin ABIB-9709 for more information
127494	130907	
127495	130907	
127506	129783	127506 cannot be used in axle designs built after 11-2-99
127523	10000336	
127535	134294	Brg pts must use in sets - Reference Bulletin HAXL-PNI-33 for more information
127591	2019185	Reference HAXL-PNI-099 for more information

Old Part #	Current Replacement Part #	Notes
127592	2022740	Reference HAXL-PNI-099 for more information
127600	129768	Reference Bulletin HAXL-PNI-33 for more information
127601	129767	Reference Bulletin HAXL-PNI-33 for more information
127645	10026797	Reference HAXL-PNI-096 and HAXL-PNI-098 for more information
127648	127628	
128146	129044	Reference Bulletin ABIB-9609 for more information
128445	129046	Reference Bulletin ABIB-9609 for more information
128481	129047	Reference Bulletin ABIB-9609 for more information
128604	134331	Brg pts must use in sets - Reference Bulletin HAXL-PNI-33 for more information
128612	508290	Reference Bulletin ABIB-9609 for more information
128806	508652	Reference Bulletin ABIB-9701 for more information
128926	126840	
129037	217519	Reference Bulletin ABIB-9709 for more information
129056	NONE	Never released
129489	217519	Reference Bulletin ABIB-9709 for more information
129490	217519	Reference Bulletin ABIB-9709 for more information
129558	134303	Brg pts must use in sets - Reference Bulletin HAXL-PNI-33 for more information
129559	134304	Brg pts must use in sets - Reference Bulletin HAXL-PNI-33 for more information
129560	134291	Brg pts must use in sets - Reference Bulletin HAXL-PNI-33 for more information
129561	134292	Brg pts must use in sets - Reference Bulletin HAXL-PNI-33 for more information
129562	134306	Brg pts must use in sets - Reference Bulletin HAXL-PNI-33 for more information
129563	134297	Brg pts must use in sets - Reference Bulletin HAXL-PNI-33 for more information
129564	134298	Brg pts must use in sets - Reference Bulletin HAXL-PNI-33 for more information
129565	134300	Brg pts must use in sets - Reference Bulletin HAXL-PNI-33 for more information

# Quick Part Number Replacement Listing



Old Part #	Current Replacement Part #	Notes
129566	134301	Brg pts must use in sets - Reference Bulletin HAXL-PNI-33 for more information
129859	129584	
130907	10000528	Reference HAXL-PNI-096 and HAXL-PNI-098 for more information
132443	10049643	Reference HAXL-PNI-096 and HAXL-PNI-098 for more information
134192	10085729	Reference HAXL-PNI-096 and HAXL-PNI-098 for more information
210280	—	Reference Bulletin ABIB-9609 for replacement kits
210299	129433	
216220	216220-1	Reference HAXL-PNI-099 for more information
2016221	2016221-1	Reference HAXL-PNI-099 for more information
216222	510021	DS344/404/405
216223	510018	
216224	216224-1	Reference HAXL-PNI-099 for more information
216225	216225-1	Reference HAXL-PNI-099 for more information
216230	508653	Reference Bulletin ABIB-9701 for more information
216231	508654	Reference Bulletin ABIB-9701 for more information
216232	508655	Reference Bulletin ABIB-9701 for more information
216233	508656	Reference Bulletin ABIB-9701 for more information
216234	216234-1	Reference HAXL-PNI-099 for more information
216248	216248-1	Reference HAXL-PNI-099 for more information
217166	508724	Reference Bulletin ABIB-9701 for more information
217168	508726	Reference Bulletin ABIB-9701 for more information
217169	508727	Reference Bulletin ABIB-9701 for more information
217360	510022	DS404P/405P
217361	510025	404/405
217362	510017	RD404
217463	217463-1	Reference HAXL-PNI-099 for more information
217464	217464-1	Reference HAXL-PNI-099 for more information
217536	510029	DA344/404/405
217537	510026	404P/405P
218167	508725	Reference Bulletin ABIB-9701 for more information
219704	508652	Reference Bulletin ABIB-9701 for more information

Old Part #	Current Replacement Part #	Notes
820643	129558	D404
504026	504181	D404 - Reference Bulletin HAXL-PNI-073 for more information
504027	504182	D404P - Reference Bulletin HAXL-PNI-073 for more information
504028	504028-1	Reference HAXL-PNI-099 for more information
504030	504030-1	Reference HAXL-PNI-099 for more information
504031	504031-1	Reference HAXL-PNI-099 for more information
504033	504033-1	Reference HAXL-PNI-099 for more information
504034	504034-1	Reference HAXL-PNI-099 for more information
504117	504117-1	Reference HAXL-PNI-099 for more information
504118	504118-2	Reference HAXL-PNI-099 for more information
504119	504119-1	Reference HAXL-PNI-099 for more information
504120	504120-1	Reference HAXL-PNI-099 for more information
504121	504121-1	Reference HAXL-PNI-099 for more information
504404-2	504404-2G	Reference HAXL-PNI-096 and HAXL-PNI-098 for more information
504404-3	504404-3G	Reference HAXL-PNI-096 and HAXL-PNI-098 for more information
504404-4	504404-4G	Reference HAXL-PNI-096 and HAXL-PNI-098 for more information
504404-5	504388	Reference HAXL-PNI-096 and HAXL-PNI-098 for more information
504404-6	504404-6G	Reference HAXL-PNI-096 and HAXL-PNI-098 for more information
510019	510020	RA404
510593	504181	D404 before June 2008 - Reference Bulletin HAXL-PNI-34 for more information
512800	512800-1	Reference HAXL-PNI-099 for more information
512805	512805-1	Reference HAXL-PNI-099 for more information
820643	134303	Brg pts must use in sets - Reference Bulletin HAXL-PNI-33 for more information
1008912	134304	Brg pts must use in sets - Reference Bulletin HAXL-PNI-33 for more information



# UPGRADES THAT WON'T LET YOU DOWN.™

*I need my vehicle to be as reliable as I am.*

## For the Lifespan of Your Vehicle, Trust Dana Aftermarket.™

At Dana, we know that your customers' vehicles are more than just a means of transport; they help support what's most important to them. Go to keep your business successful, you need to carry the parts that help clients avoid unnecessary downtime. That's why Dana engineers our OE-quality driveline components and sealing solutions for high-mileage vehicles with dependable performance and quality. For more information, visit [SpicerParts.com/CV-Upgrade](http://SpicerParts.com/CV-Upgrade).



**Aftermarket**

SpicerParts.com or for our e-catalog, DanaAftermarket.com  
#DanaAftermarket

© 2019 Dana Limited. All rights reserved.

Product Information: [SpicerParts.com](https://www.SpicerParts.com) | E-Catalog and parts locator: [DanaAftermarket.com](https://www.DanaAftermarket.com)

**Dana Aftermarket Group**

PO Box 1000 Maumee, Ohio 43537

Warehouse Distributors: 1.800.621.8084

OE Dealers: 1.877.777.5360

Follow SpicerParts [f](#) [t](#) [@](#) [v](#) [in](#)

© 2020 Dana Limited. All rights reserved. AXIP-0200-32020

**SPICER**<sup>®</sup>

