

THE
ULTIMATE



Ultimate Dana 60™ JK Axles Can Take the Punishment

We believe in testing the strength and durability of our axles right out in the same places that Jeep® enthusiasts congregate. So when the engineers at Dana wanted to put the Ultimate Dana 60™ axles through another punishing test, we modified this this 2015 Jeep Wrangler Rubicon JK and took it into the field. Evaluating the Ultimate Dana 60s™ in real-world situations alongside off-road enthusiasts from across the country allows us to assess how these axles take on challenges while celebrating the Jeep community.

As long as we were modifying the axles of this Jeep, we decided to add on all sorts of amazing options. Because if you're going to mix work with play, you might as well do it right.



SPICER®

[SpicerParts.com/BuildList](https://www.SpicerParts.com/BuildList) or for our e-catalog, [DanaAftermarket.com](https://www.DanaAftermarket.com)
#SpicerParts

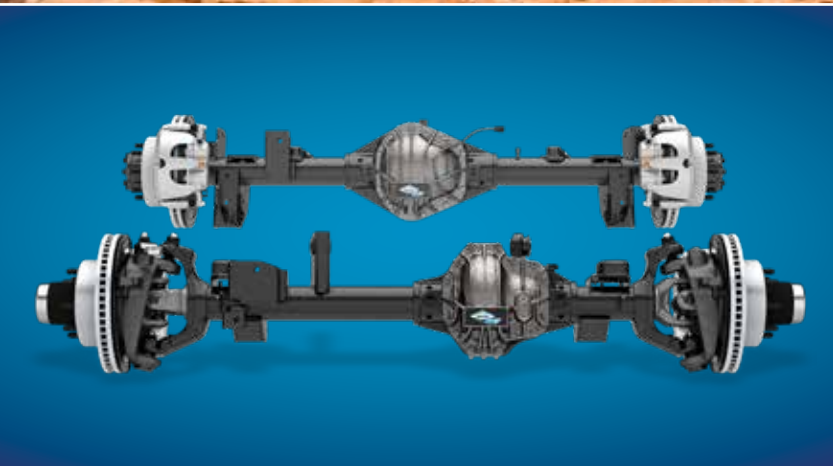
© 2018 Dana Limited. All rights reserved.





THE
ULTIMATE
DANA
60™

Ultimate Dana 60™ Jeep® Wrangler® JK Build List



- Ultimate Dana 60™ Front Axles w/ Eaton ELocker 4.88 Ratio
- Ultimate Dana 60™ Rear Axles w/ Eaton ELocker 4.88 Ratio
- Spicer® Nodular Iron Diff Cover - Rear
- 2012-2015 Jeep JK (4 Door) Cylinder Assist Kit Steering Gear
- ARB Fridge Freezer 82QT Refrigerator
- ARB On-Board 12 Volt Air Compressor
- BFGoodrich® Krawler™ T/A® KX - 40x14.50R17/C Tires
- Corbeau® Sportline RRS / Custom Embroidery Seat
- CRC 4" Lift Kit
- CRC Rock Sliders
- Currie® AntiRock® Kit Front Sway Bar Disconnects
- Currie® AntiRock® Kit Rear Sway Bar End Links
- Currie® Drag Links
- Currie® Tie Rods
- Delta Tech Industries Quad-Bar Halo Headlights
- Factor 55 Winch Safety Thimble & Fairlead
- Garmin® Video Camera
- MCE LLC JK Hi-Clearance Generation II Flares, Front
- MCE LLC JK Hi-Clearance Generation II Flares, Rear
- Rigid Industries® A-Series Rock Light Kit Under Carriage Lights
- Rigid Industries® SR-Series Light Bar/Blocks
- Savvy Off Road LHT JK Front Bumper
- Savvy Off Road LHT JK Rear Bumper
- sPOD 6-Switch Power Distribution System
- Truck Master Designs JK Cowl Induction Hood
- Walker Evans Racing 17" Forged Beadlock Wheels
- Walker Evans Racing Shocks
- WARN® ZEON® 10-S Winch

©Copyright Dana Limited, 2018. All rights reserved. Dana Limited, Dana and Ultimate Dana are registered trademarks of Dana Limited. Jeep and Wrangler are registered trademarks of FCA US LLC. The ARB 4x4 Accessories name and logos are trademarks of ARB Corporation limited. BFGoodrich, Krawler and T/A are trademarks and copyrights of Michelin North America, Inc. Corbeau is a registered trademark of Corbeau USA, LLC. Currie AntiRock is a registered trademark of Currie Enterprises, Inc. R1 Rigid Industries LED Lighting is a registered trademark of Rigid Industries. Garmin is a registered trademark of Garmin Ltd. Truck Master Designs is a registered trademark of Truck Master Designs Inc. Eaton is a trademark of Eaton Corporation plc. Walker Evans Racing is a trademark of Walker Evans Enterprises Incorporated. WARN is a trademark of WARN Industries, Inc.

Product information: SpicerParts.com
E-catalog and parts locator: DanaAftermarket.com