



AFTERMARKET

# PERFORMANCE

STRENGTH. POWER. ENDURANCE.

# UNLEASHED.



## SPICER® DRIVESHAFTS for the JEEP® WRANGLER® JK



[www.SpicerParts.com](http://www.SpicerParts.com)





**Driveshafts engineered for off-road performance.** Jeep enthusiasts everywhere trust genuine Spicer parts for unparalleled performance, even in the toughest conditions. That's because the engineers who develop Spicer parts are constantly innovating, finding new ways to ensure the definitive off-road experience. These Spicer driveshafts are built for increased strength and designed for greater extension and compression over tough terrain. Check out the features and benefits of these two driveshaft options, and talk to your Spicer parts representative for more information.

## SPICER® DRIVESHAFTS for the JEEP® WRANGLER® JK

Dana is providing Jeep® owners with an upgrade for their Wrangler® JK with this new high-performance Spicer driveshaft. Engineered with a direct-fit bolt-in flange, this driveshaft provides ease of installation and a better off-road experience.

### One-piece flange

- Prevents run-out
- Eliminates need for an adapter
- Bolts to stock Jeep axle

### Optimized for 0"-2" and a 2"-4" lift

- Ideal for larger tires
- Offers improved ground clearance

### Thicker tube than original equipment part

- 50% thicker than OE shaft
- Delivers added strength

### Smaller diameter

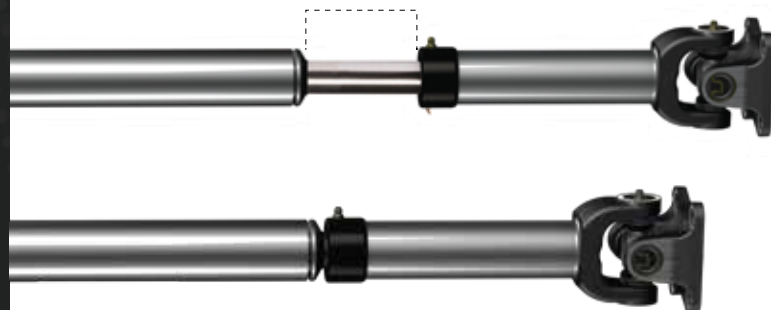
- Does not interfere with vehicle's exhaust

Direct-fit, bolt-in replacement



### Longer slip yoke for increased travel

More extension and compression through the tube shaft



### HEAVY DUTY UPGRADE - 1310 SERIES DRIVESHAFT

Application	Position	Spicer Part #
Jeep Wrangler JK (with Stock-2" Lift)	Front	10018230
Jeep Wrangler JK (with 2-4" Lift)	Front	10020345

## SPICER® 1350 DRIVESHAFT FOR ULTIMATE DANA 60™ EQUIPPED JEEP® WRANGLER® JK

Built from high-quality steel to deliver the ruggedness and durability you're already getting in your Ultimate Dana 60™ axles, 1350 Series driveshafts are engineered for applications that require high horsepower and torque.

### 100% bolt-in solution

- Includes all required mounting hardware

### Extra thick tubing

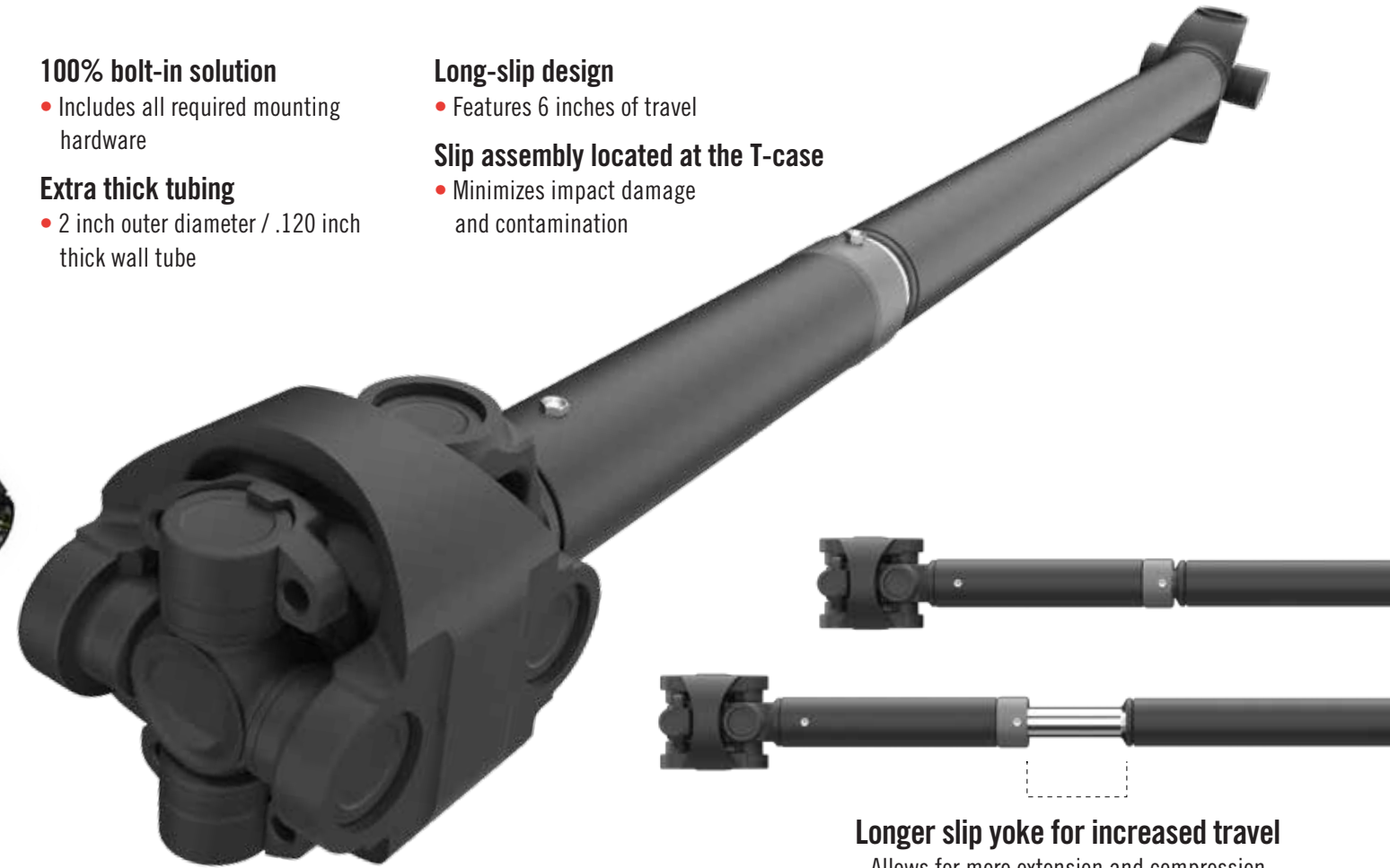
- 2 inch outer diameter / .120 inch thick wall tube

### Long-slip design

- Features 6 inches of travel

### Slip assembly located at the T-case

- Minimizes impact damage and contamination



### Longer slip yoke for increased travel

Allows for more extension and compression while navigating the trail.

### SPICER 1350 SERIES DRIVESHAFT FOR ULTIMATE DANA 60 EQUIPPED JEEP JK

Application Summary	Axle Model	Lift	Automatic Transmission	Manual Transmission	Front Part #	Rear Part #
2007-16 Jeep Wrangler JK 2 Door	with UD60™ Only	2-6"	Yes	Yes	10049168	NA
2007-16 Jeep Wrangler JK 4 Door	with UD60™ Only	2-6"	Yes	Yes	10049168	10049169

Find out more about Spicer driveshafts, as well as a range of products engineered for performance applications. Visit [www.SpicerParts.com](http://www.SpicerParts.com) or talk to your Spicer parts representative today.





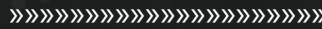
A F T E R M A R K E T

# PERFORMANCE

STRENGTH. POWER. ENDURANCE.

*UNLEASHED.*

Trusted Dana Brands



**SPICER®**

**VICTOR REINZ®**



**SVL®**

**TRU-COOL®**



THE **ULTIMATE**  
DANA **44™**

**GWB®**  
A Dana Brand

THE **ULTIMATE**  
DANA **60™**



**Dana Aftermarket Group**

PO Box 1000

Maumee, Ohio 43537

Customer Service: 1.800.621.8084

Email: DanaNorthAmericaDC@Dana.com

[www.SpicerParts.com](http://www.SpicerParts.com)

